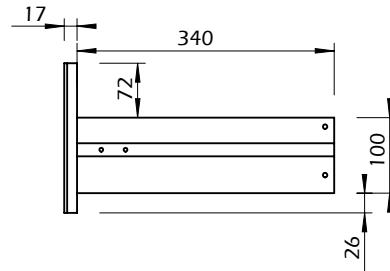
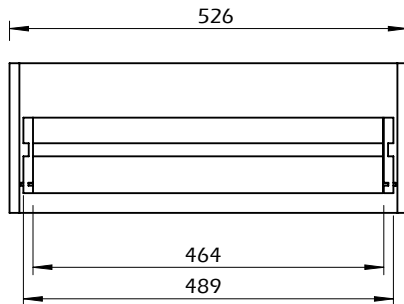
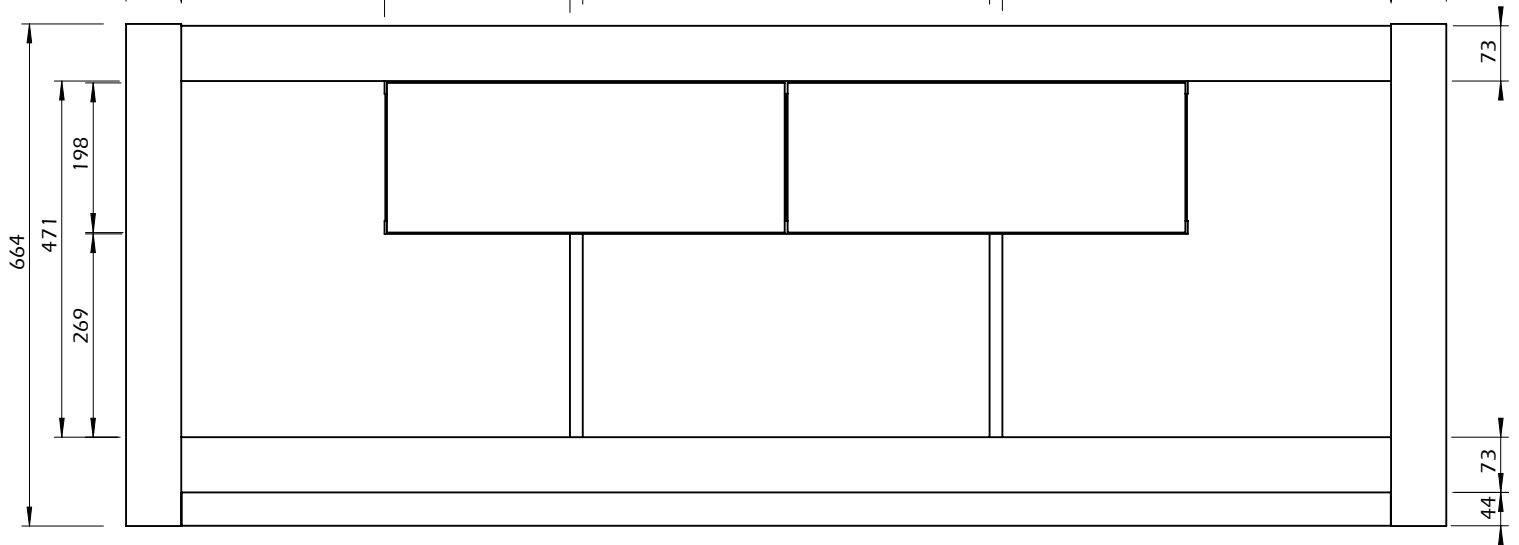
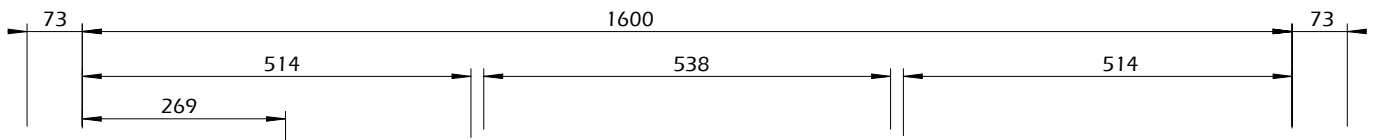
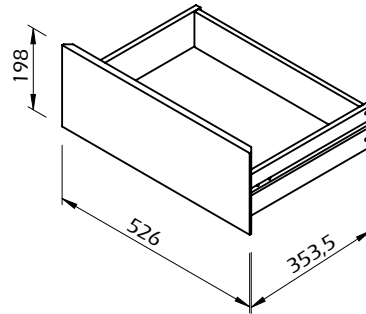
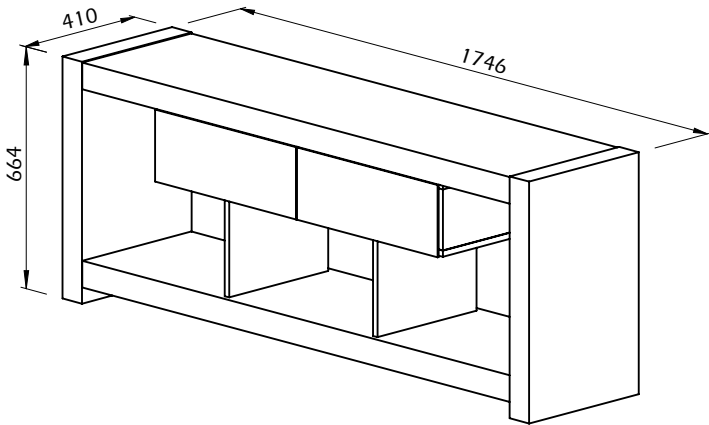


Technical Information

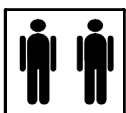


TEMAHOME

NARA



45min



50kg