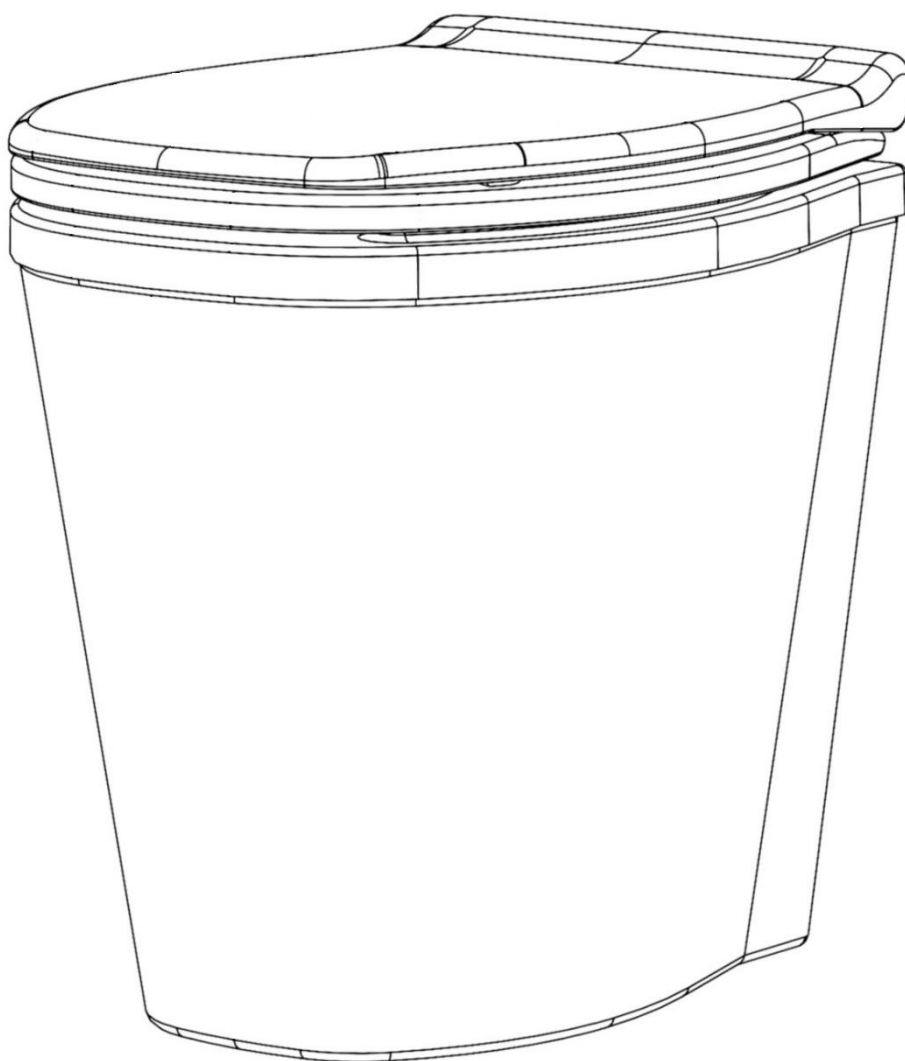


Separett[®] **PEE**[®]

User / Installation manual (English)



Manual art: 12132-01

Congratulations on your new PEE urine toilet!

For over 40 years we at Separett have developed qualitative and functional toilet solutions that are not limited by the supply of water and sewage. Today, our toilets simplify everyday life and leisure time for hundreds of thousands of people worldwide. For us within the Separett family, the most important thing is that the toilet solution you have chosen is of high quality, has a high degree of reliability and requires minimal maintenance. With PEE urine toilet you have chosen a toilet solution that is both easy to use and to maintain. This user manual contains all the information you need to install and use it correctly!

Welcome to the Separett-family!

Separett[®]
Waterless toilets

Separett Sweden

Bredastensvägen 8 | SE-331 44 Värnamo

Info@separett.com | www.separett.com

Content

Important safety instructions.....	3
Technical information	5
The parts.....	5
Before installation	6
Included installation details	6
Tools	6
Handling of the urine.....	7
The urine outlet.....	8
Installation.....	9
Simple installation	9
Other installations	13
Use the toilet.....	14
Cleaning / Maintenance	14
• If there is a clog in the drain pipe?	14
Winter.....	14



Important safety instructions

READ THE INSTRUCTIONS CAREFULLY BEFORE USE.
THE MANUFACTURER IS NOT RESPONSIBLE FOR ANY PERSONAL DAMAGE
OR OTHER DAMAGES ACCORDING TO A RESULT OF INCORRECT INSTALLATION OR IMPROPER USE.
SAVE THE USER MANUAL FOR FUTURE NEEDS!

Safety

This product can be used by children and by persons with reduced physical, sensory or mental ability, as well as persons with a lack of experience and knowledge of the product, provided that they are monitored or instructed on how to use the product in a safe way and understand the risks associated with the product when not properly used.

- The toilet's packaging and packing material are not toys. Keep packing materials out of the reach of children and dispose of appropriately.
- The toilet is not designed for standing on, this applies to people of all ages.

WARNING! Do not use the toilet if it is damaged, shows cracks in the plastic or if it shows any other signs of malfunction.

Save your receipt

Place for receipt

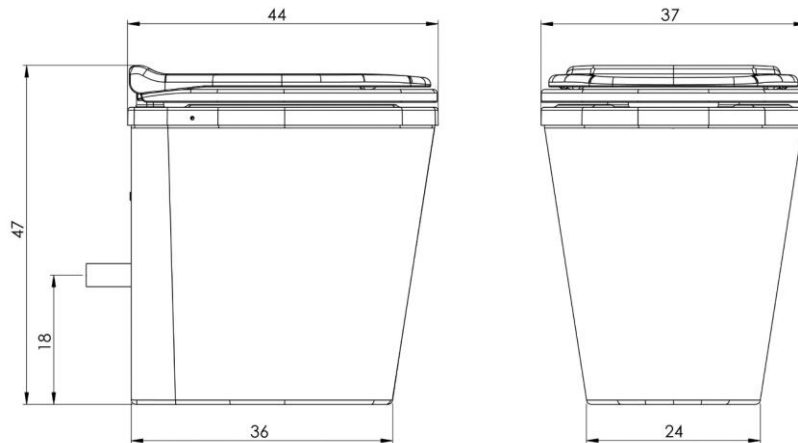
Technical information

Material: ABS, PP, Stainless Steel

weight: 4,3 kg

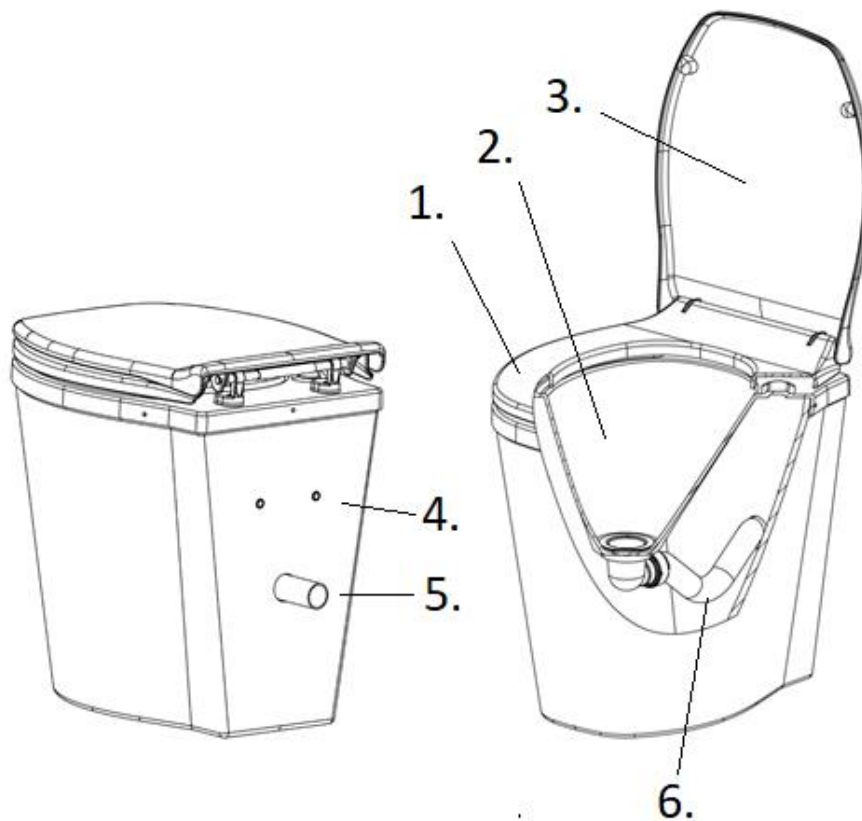
Maximum load on seat: 120 kg

Measurements (cm):



The parts

1.Seat 2.Urine funnel 3.Lid 4.Mountingholes for wall bracket 5.urine outlet 6. Stench trap



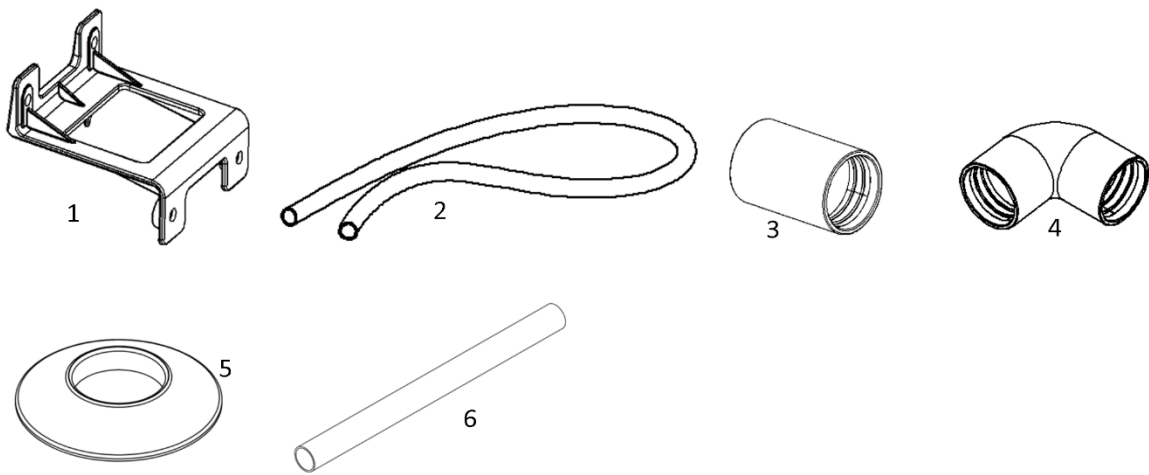
Before installation

Included installation details

Below you can see some of the details that are included and used in the installation of the toilet.

NOTE! There are several ways of installing the toilet and one or more of the supplied details may therefore not be used in some installations. However, we recommend that the toilet is always fixed using the wall bracket.

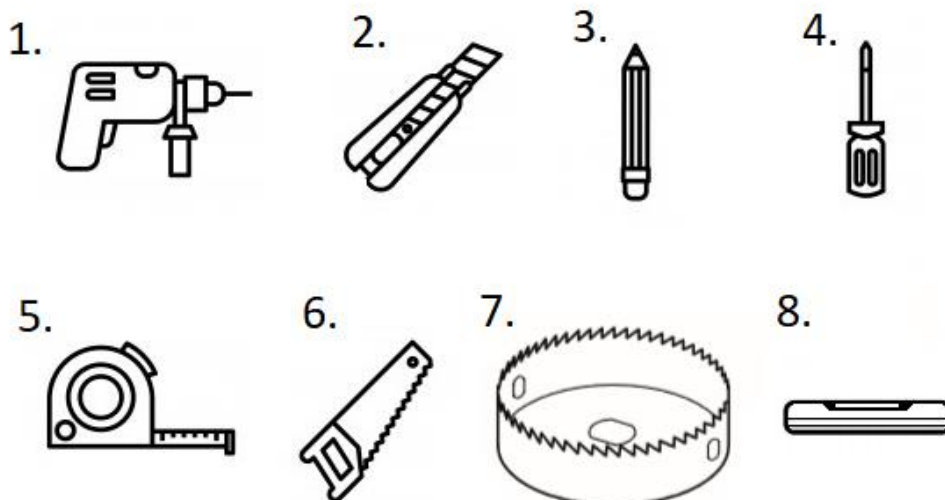
1. Wall bracket 2. urine hose (2 meters) 3. Connection straight (Ø 32mm) 4. Connection 90 ° (Ø 32mm) 5. Cover plate for pipe 6. Wall pipe (32x400mm)



Tools

You may need the following tools to install the toilet.

1. Drill / screwdriver 2. knife 3. Pencil 4. Screwdriver 5. Measuring tape 6. Saw
7. Hole drill (Ø 32mm) 8. Water level

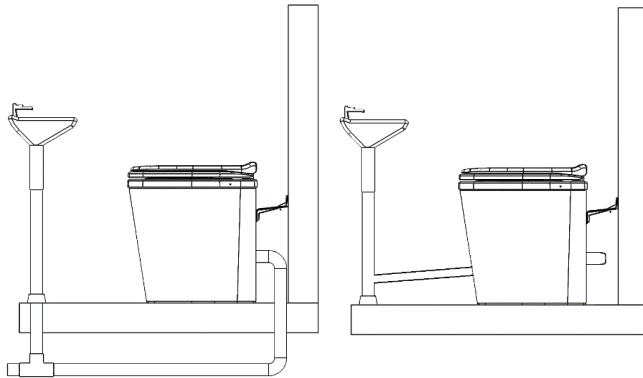


Handling of the urine

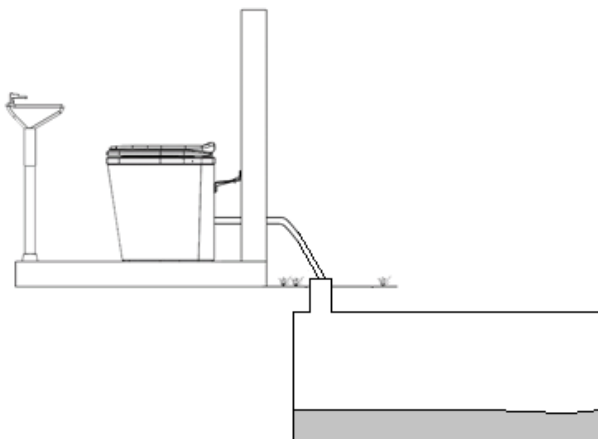
Before you begin your installation, you need to find out where to lead your urine. There are several ways to handle the urine. Below are some common solutions. Always check with your municipality regarding what is compatible with the local regulations where the toilet is to be installed.

Greywater system

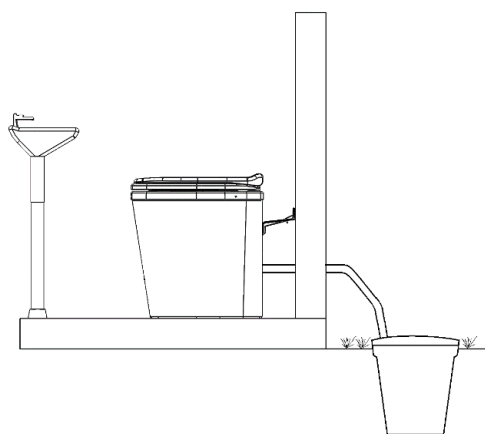
You can connect the urine drain to an existing greywater drain. The connection can be made in many ways, the pictures below describe two common solutions. Important is to make sure that the pipe is slightly angled downwards all the way the way from the toilet to the gray water pipe.



Tank



Collection tank, for example Separett ejektortank



The urine outlet

When you are going to lead the urine from the toilet to the intended collection, it is important to first go through and ensure that you meet the restriction below in order for the urine line to function well over time.

- If you are planning on leading the urine through an insulated wall or a wall with an air gap between the inner and outer walls, you must use a pipe or guide the hose through a pipe. The enclosed wall pipe is for leading urine through a wall. Pipes are used to reduce the risk of pests causing damage to the hose.
- If you are going to lead the urine for a distance longer than the 2 meters that the supplied hose reaches, it is recommended that the following distance uses pipes. Since urine contains salts that can accumulate in the hose, we recommend that for a longer installation than 2 meters the pipe following the hose has a diameter of at least 40 mm in order to avoid clogging.
- Make sure that you always have a angle downwards from the toilet of at least one degree on the entire pipe routing, also ensure that no air pockets are created by the hose curving.
- If the toilet is to be used in the winter, pipes that are drawn outdoors must have a diameter of at least 40 mm.
- If the toilet is to be used in winter, we recommend that the parts of the pipe that are located outdoors be insulated with pipe insulation. The insulation can be purchased in most building warehouses.
- An important rule for longer installations (over 2 meters) is that the earlier one moves to pipes with a larger diameter, the smaller the risk of clogging in the pipes will be.
- The toilet is equipped with a stench trap, so this need not be added to the urine outlet.
- Do not place pipe joints close to electrical appliances or wall outlets. This is to prevent liquid from getting into contact with electricity in the event of a leak.

Installation

When you know how the installation should be done and the points above are reviewed, you are ready to install the toilet.

The section below is showing one way to install the toilet. The step by step instruction should illustrate how most of the supplied parts should be used. Use the explanation together with the above points to design your own installation in a good way.

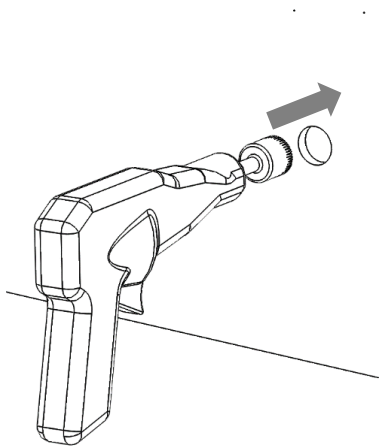
Simple installation

This section shows an installation of the toilet with piping straight backwards, out through the outer wall and connected to the Separett Ejektortank®.

1. Attach the wall bracket to the toilet and then place the toilet on the intended installation site. Then mark the wall where the wall bracket should be mounted and where the urine outlet should go through the wall.

Before you drill or screw in the wall:

- Set the toilet in front of the markings you made to make sure the dimensions are correct.
- Ensure that no pipes or wires are placed in the wall where you will screw and / or drill.

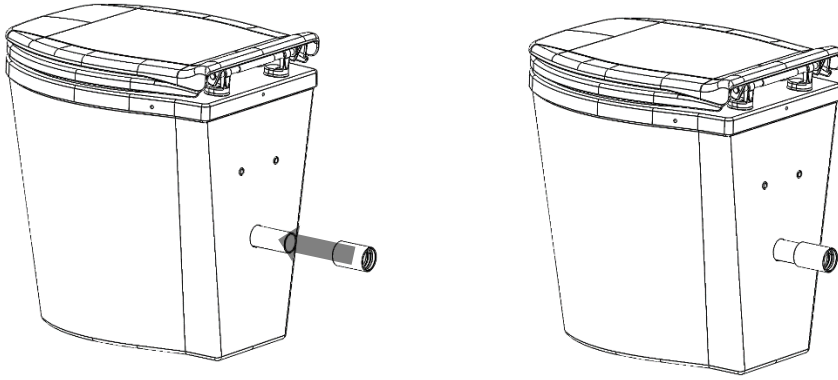


2. Remove the wall bracket from the toilet.

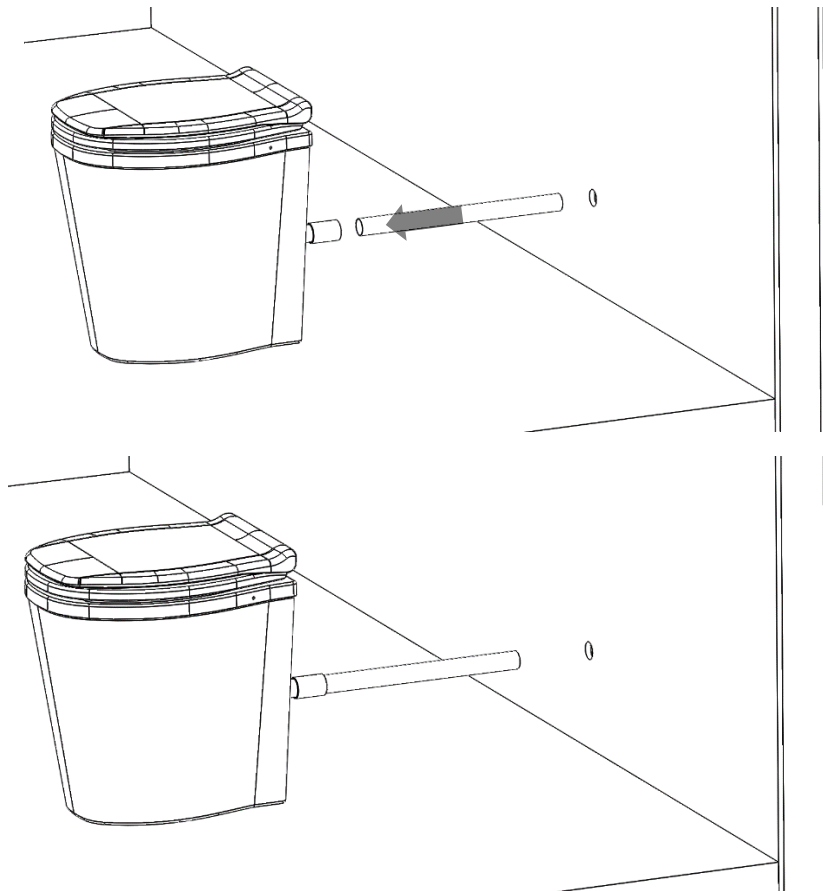
3. If you are going straight out behind the toilet, use the straight connection joint supplied. If you are planning to let the hose go out at an angle, use the supplied 90-degree connection.

Mount the connection you are going to use on the outgoing pipe from the toilet. In this case, the hose should go straight back and therefore the straight connection is used.

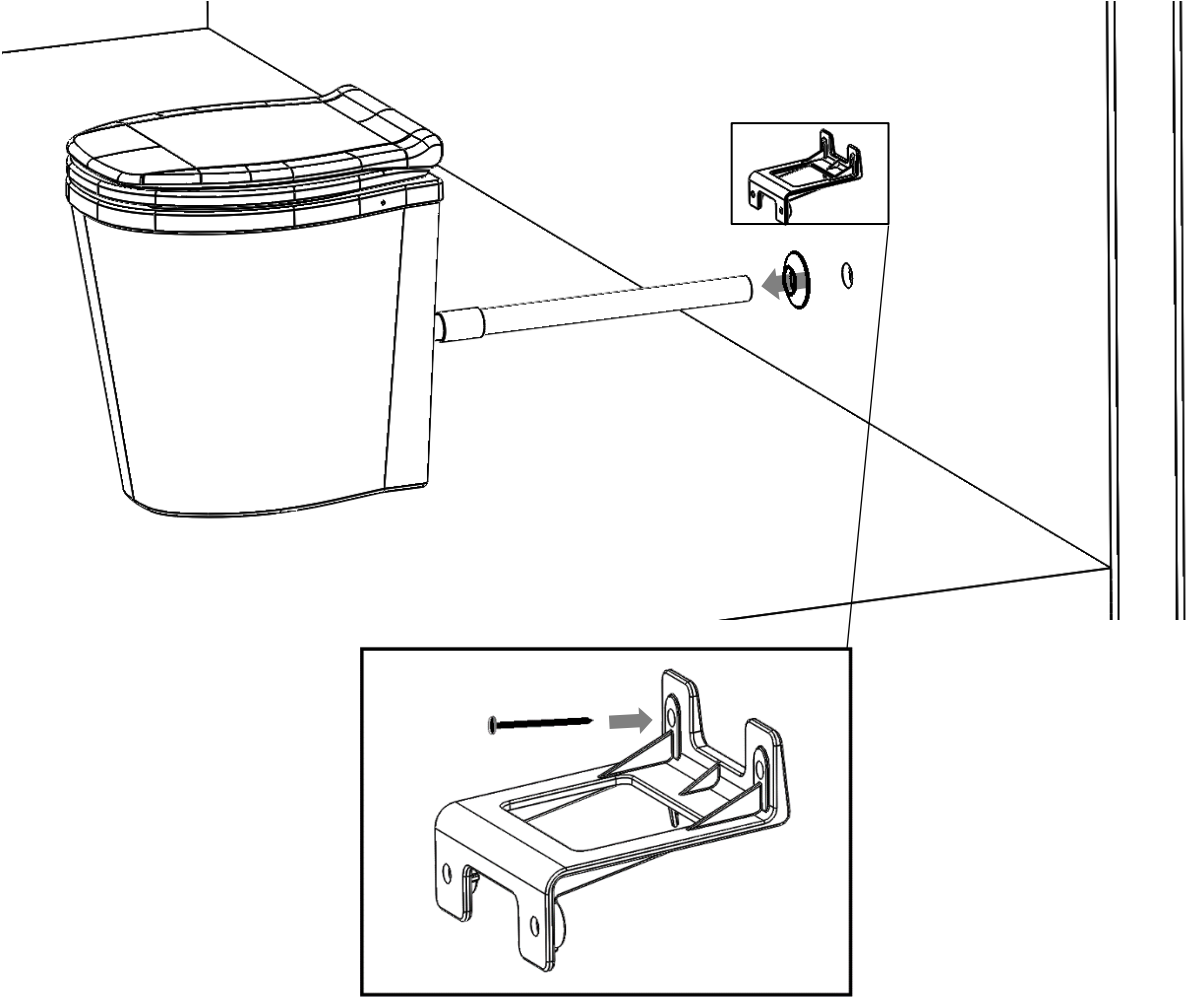
You may use Vaseline, soap or similar to ease the assembly. Press the connection straight on to the pipe and do not angle it, then you risk damaging the pipe or connection



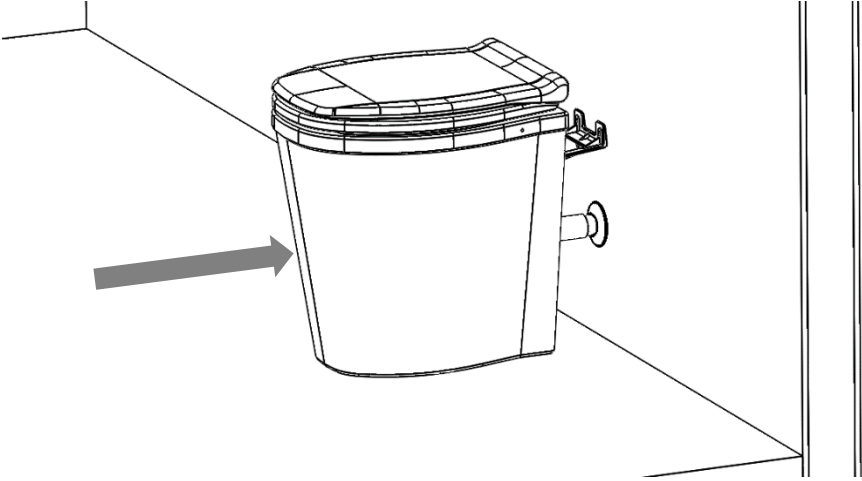
4. If you are going through an insulated wall, use the supplied wall pipe. If necessary, you can cut the pipe to the desired length. Place the pipe in the straight connection on the toilet.



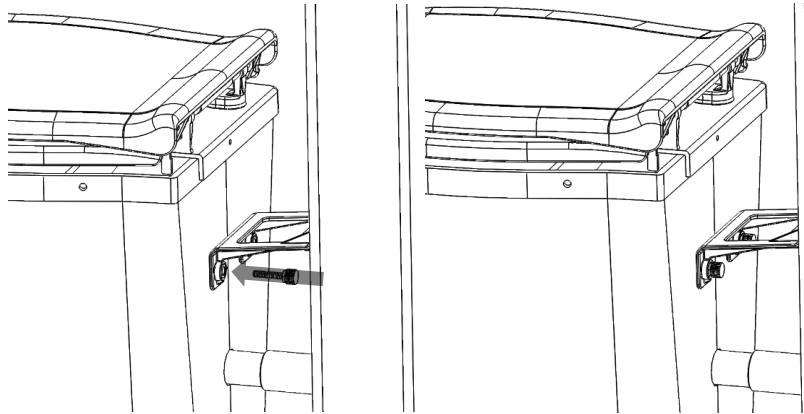
5. Attach the wall bracket to the wall. Use a screw and plug suited for the type of wall you have behind the toilet. Also install the cover plate on the pipe.



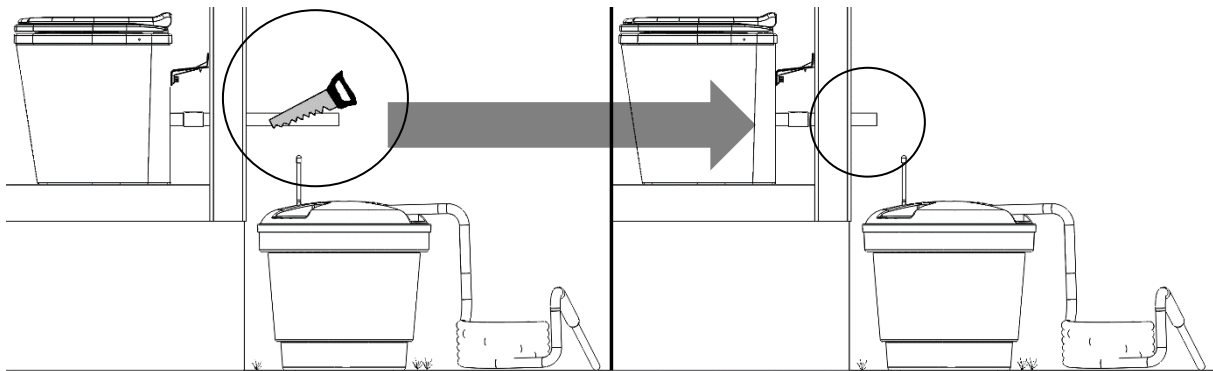
Slide the wall pipe into the hole in the wall until the toilet reaches the wall mount. Then push in the cover plate against the wall.



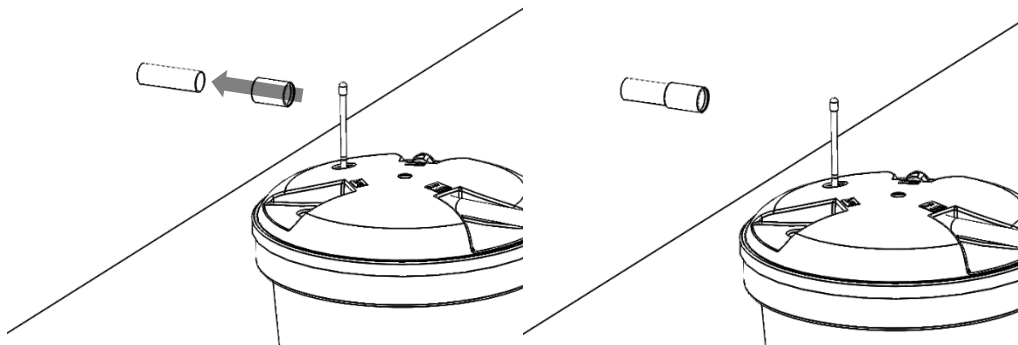
6. Use the mounting screws to secure the toilet in the wall bracket.



7. Now the installation continues where the hose should be connected to the ejector tank. If necessary, cut the wall pipe to the correct length if you have not already done so.

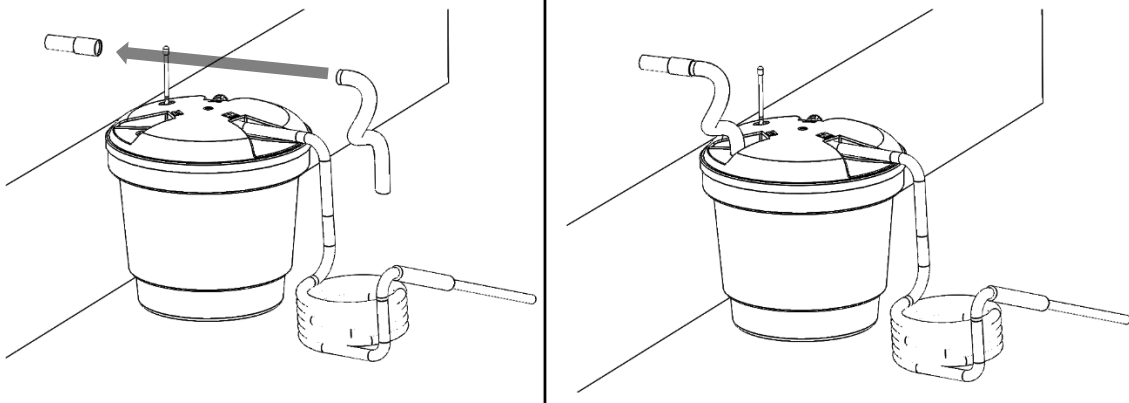


To connect the hose to the wall pipe use the straight-connection or 90-degree-connection. Mount according to previous instruction (step 3).



8. Cut the hose to get the length you need to guide the urine to the tank. Connect the hose to the connector. Then lead the hose to the tank.

If you are going to use the toilet in the winter, it is recommended that you insulate the pipe/hose and that you switch to a larger diameter, especially if you are to have a installation longer than 2 m.



Other installations

If you are to use the 32mm hose along a wall, use the supplied wall brackets to ensure that the hose stays in place and that there is a downwards angle.

Use the toilet.

- The toilet is only for made for urine and cannot handle solid waste or toilet paper.
- Use Separett bio drain to prevent clogging in the drain while spreading a fresh scent.
- Pour some water into the urine bowl after your visit

Cleaning / Maintenance

- Avoid using strong chemicals when cleaning the toilet as this could damage the plastic.
- **If there is a clog in the drain pipe?**
Use Separett's cleaning kit for urine separating toilets.

Winter

During winter storage, it is important to ensure that there is no fluid left in the urine pipe that can freeze and damaging the pipe. If you are unable to completely drain the fluid from the toilet, you can pour in a liquid with a lower freezing point to make sure that the contents in the pipe do not freeze. Consider the environment when choosing a chemical!