



MOBILE/SPACESAVER TOILET

OWNER'S MANUAL



MOBILE



SPACESAVER



Certified to NSF/ANSI Standard 41
Standard 41

Certified for liquid containment,
odors, and solid end products in
both residential and cottage use



US COAST GUARD
CERTIFIED
Issued 09/05/97

RATED CAPACITY

Residential & Continuous Use

MOBILE: 1 Adults

SPACESAVER: 1 Adult

Weekend & Vacation Use

MOBILE: 3 Adults

SPACESAVER: 3 Adults

Models for which the manual applies:

CSES-01601W Spacesaver

CSAS-01500B Mobile

CSAS-01502B Mobile 12 Volt



Do not stand on the toilet.

Electric toilets must be installed so that electrical components in base of unit are protected from rain, flooding, and melting snow.

Metal tools will damage the toilet.

OWNER'S MANUAL

CONTENTS

How Composting Works	2	Spring Time Start Up	12
		Winter Use	
The MOBILE / SPACESAVER toilet	3	Removing Compost from	
The Patented Bio-Drum	3	the Bio-Drum	13
Compost Finishing Drawer	3	Compost Troubleshooting	14
Evaporation Chamber	3	Compost Too Wet	14
		Waste not Breaking Down	14
Inspection	4	Large Lumps In Drum	14
Check for Damage	4	Drum Too Full	14
Whats in the Box	4	Flies Present	14
Familiarise Yourself with the			
MOBILE / SPACESAVER	4	Mechanical Troubleshooting 15-24	
Attaching the Footrest	4	Urine Odor In Washroom	15
		Occasional Urine Odor Outside	15
Installation	5-9	Sewage Odor when drum turns	15
MOBILE / SPACESAVER		Fan Noisy	15
Rough in Dimensions	5	Fan Not Working	16
MOBILE Installation	6-7	Liquid Buildup/	
'S' Bracket	6	Lack of Evaporation	16
'L' Bracket	6	Liquid Overflow	16-17
Space Required	7	Heating System Not Working	17
Vent Pipe Installation	7	Liquid In Finishing Drawer	17
Installing the Fan Filter Box	7	Drum Will Not Turn	17
Leading the Vent Through the Roof	7	Drum Door Not Opening/ Closing	17
Leading the Vent Through the Wall	7		
The Deck or Roof Vent	7	Basic Instructions	18
Drain Installation	7		
SPACESAVER Installation	8-9	Composting Toilet Accessories	19
Space Required	8		
Vent Pipe Location	8	MOBILE / SPACESAVER	
Leading the Vent Through the Roof	9	Specifications	21
Drain Installation	9		
Handling Effluent	9		
Start-Up and Use	10		
Ongoing Toilet Maintenance	11		

HOW COMPOSTING WORKS

Composting is the natural process of decomposition that can be helped along by providing the ideal conditions to help your composting toilet work at peak performance. The ideal conditions for decomposition to occur depend on several factors: oxygen, temperature, moisture content, and the carbon/nitrogen ratio.

Oxygen

Oxygen is very important in composting. Your compost should be aerated in order to encourage aerobic bacteria growth. Aerobic bacteria are bacteria that grow and live in the presence of oxygen and are very efficient in breaking down waste. To aerate the compost and encourage the growth of these bacteria, the compost drum should be turned three times per week (6 complete turns of the drum).

Temperature

Temperature is another important consideration when composting. Optimal composting temperatures range between 70-100 ° F (21-38 ° C). Decomposition will slow significantly or stop completely if the compost becomes too cold (below 55 ° F or 13 ° C). If you are in an area that experiences temperatures below 55 °F (13 ° C) additional heat is required if the composting toilet will be used continually or frequently. If used for intermittent cottage application (3 - 4 weekends throughout the cold season) no additional heat is required. The unit will function as a holding tank until the temperature warms up.

Moisture

Moisture is necessary to achieve good compost. Your compost should always be damp, like your garden after you have watered it. This moisture allows the bacteria to travel around in the compost so that they can speed decomposition by digesting the waste. If the compost is too dry, the bacteria cannot survive and decomposition will slow or cease. When adding water to the compost, you are aiming for damp compost, not saturated. Too much liquid in the compost limits the amount of oxygen that aerobic bacteria require to survive. If normal urination is not enough to maintain the correct moisture level in the compost, we encourage you to add additional water to the drum.

Carbon/Nitrogen Ratio

Almost all organic material will compost. The proper bulking material and human waste should be added to the composting toilet. In order to maintain a good balance between carbon-rich materials, SUN-MAR Compost Sure Green and nitrogen-rich human waste should only be added to the toilet.

THE SUN-MAR MOBILE/SPACE SAVER TOILET

The key to the success of the MOBILE / SPACE SAVER lies in its three chamber design. Each of the three chambers; patented Bio-drum, compost finishing drawer, and evaporation chamber, have their own independent environments for optimum efficiency. The MOBILE / SPACE SAVER features a thermostatically controlled heater and fan assembly to help evaporate liquid and should be used where there is a constant electrical supply.

The Patented Bio-Drum

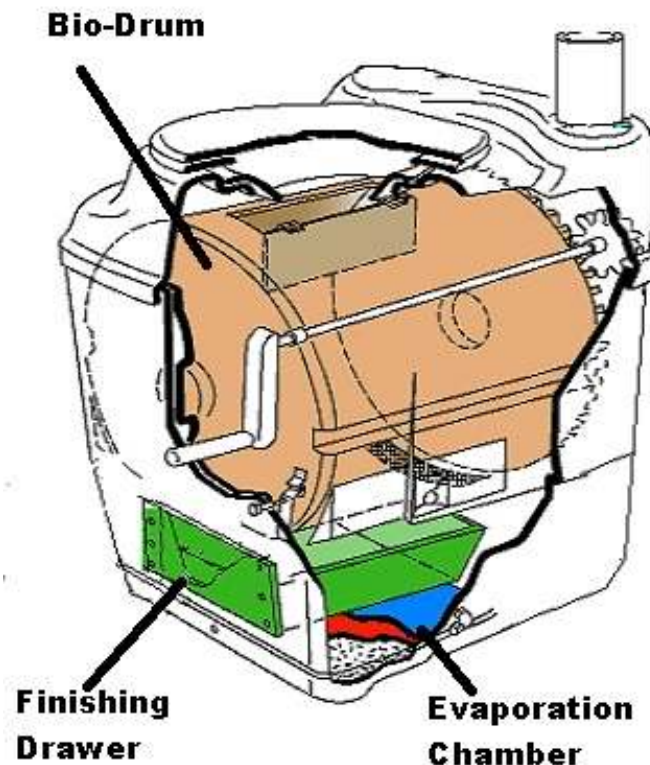
Unique to Sun-Mar, the patented bio-drum provides the necessary mass to maintain good compost and allows easy aeration of the compost by simply turning the drum. Excess liquid will exit through a screen in the bottom of the drum into the evaporation chamber. Mixing the Bio-drum is accomplished by rotating the handle in a clock-wise direction. Compost is removed from the drum by pulling out the white drum lock button (under the footrest) and rotating the handle in a counter clock-wise direction.

The Compost Finishing Drawer

The compost finishing drawer sits in an opening under the footrest. Compost in the drawer is isolated from mixing with new waste while resting for 4 weeks so that it can finish composting.

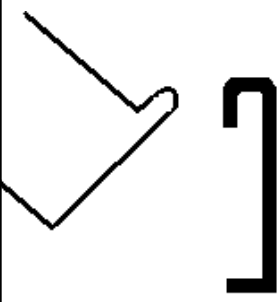
The Evaporation Chamber

The evaporation chamber is the floor of the unit under the compost finishing drawer. This is the area where any excess liquid will gather for evaporation. A safety drain exits from the back of the composting toilet which will drain over-flow liquid that is not evaporated to an approved facility.



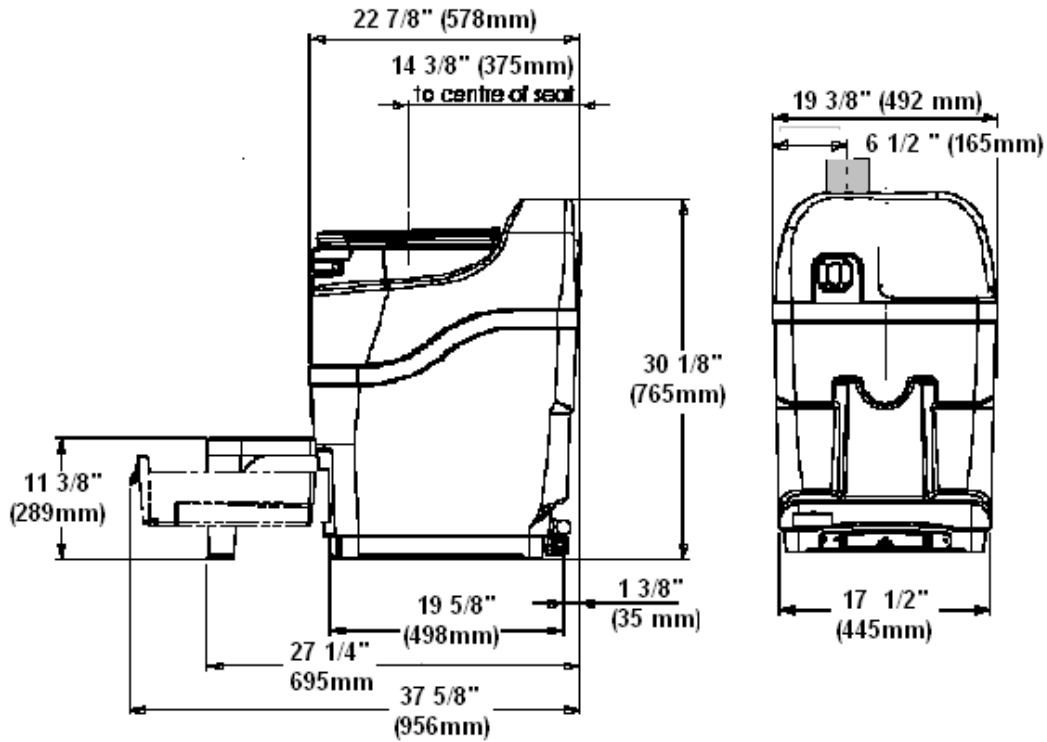
Inspection

We recommend an inspection of the MOBILE/SPACESAVER toilet prior to installation and to make sure you have received all of the parts required as listed below.

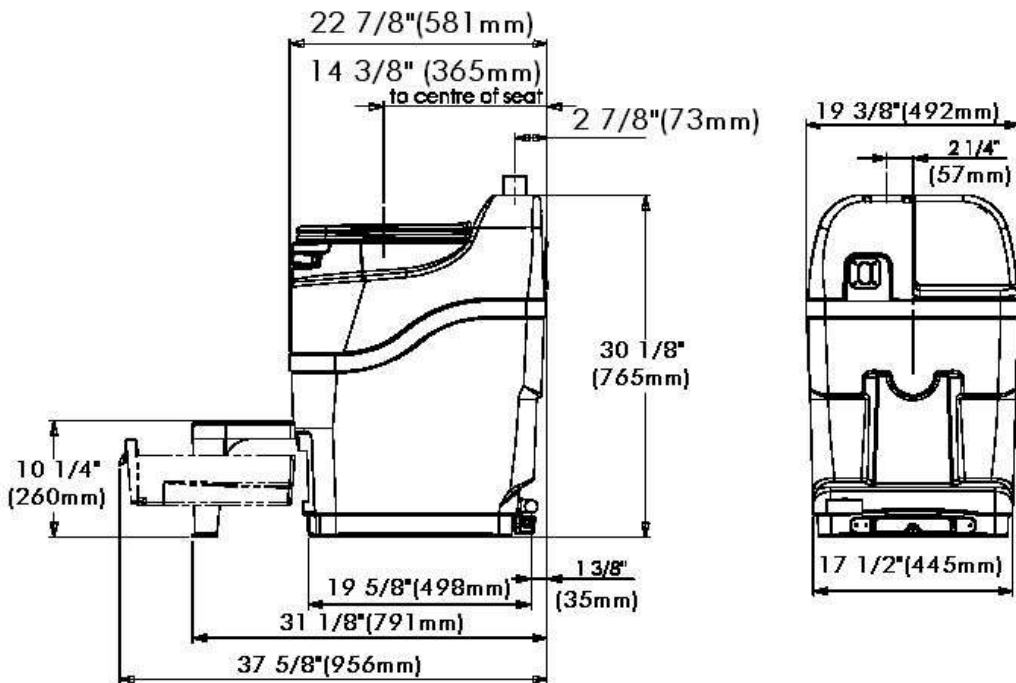
<p>Inspecting the unit for Damage</p>	<ol style="list-style-type: none"> 1. If there is any visible damage to the carton- The contents of the carton should be inspected before signing the bill of lading. Damaged units should be refused. Call Sun-Mar immediately. 2. If the shipper has left- Report the damage immediately to the transport company and call Sun-Mar. 3. Soon after delivery, remove the MOBILE/SPACESAVER Toilet carefully from the carton- If there is hidden damage, or for any service questions, contact Sun-Mar to determine the best course of action. 	
<p>What's in the Box</p>	<ul style="list-style-type: none"> 1- Owners Manual 1- Warranty Card 1- Hardware Kit 1- Footrest 1- 1" x 8'4" Drain Hose 1- Compost Sure Green 	<ul style="list-style-type: none"> 1 - Filter Box (MOBILE) 1- Bowl Liner 1- 2" Pipe Insulation (SPACESAVER) 2 - 3"x 31" Vent pipe (MOBILE) 1- 4" Diffusor (SPACESAVER) 4- 2"x31" Vent pipe (SPACESAVER) 1 - Rake
<p>Familiarize Yourself with the MOBILE/ SPACESAVER Toilet</p>	<ol style="list-style-type: none"> 1. Turn the drum handle clockwise to rotate the patented Bio-Drum for mixing and aeration. (The drum rotates counter-clockwise and the drum door closes). This is how you will rotate the drum during regular operation. 2. Pull the drum locker button, (located under the footrest) and turn the handle counter-clockwise to simulate removal of compost. This is how you will remove compost during regular operation. 3. (110 volt AC units) Plug the unit's electrical cord into a standard three-prong electrical outlet, and feel the air movement from the vent outlet at the top of the unit to ensure the vent system is working properly. 4. Pull out the compost finishing drawer at the bottom front of the unit. After the unit has been plugged in for ten minutes, place a hand on the floor of the evaporating chamber (the area under the finishing drawer) to check it is warm to the touch, and that the heater is working properly. 	
<p>Attaching and Detaching the footrest</p>	<p>MOBILE: The fold up footrest attaches to the unit with hinges. To attach the footrest, align the pin on the footrest hinge with the bracket above the finishing drawer opening. Slide the pin into the bracket. Once the footrest is attached it is easily folded against the unit and clipped into place.</p> <p>SPACESAVER: The footrest attaches to the unit with the metal track above the finishing drawer opening. To attach the footrest, incline the footrest at a 45 degree angle to the floor as shown. Insert the round top edge of the track on the footrest into the round top edge of the metal track on the unit and then lower the footrest to the floor. Note: Footrest must be correctly attached before stepping on it.</p>	

Installation

MOBILE ROUGH IN DIMENSIONS



SPACESAVER ROUGH IN DIMENSIONS



MOBILE Toilet Installation

Anchoring the Mobile "S" Shaped Bracket

The mobile should be anchored if the unit will be installed in a vehicle that will move. There are three anchoring brackets supplied with the unit which should be used to securely anchor the toilet.

The 'S' shaped mounting bracket -

The 'S' shaped mounting bracket, (pictured below) is for attaching the top of the toilet to the wall. (see diagram below)



1. Locate the 'S' Bracket (shown above), 2 nuts, 2 washers and 2 bolts.
2. Locate the two dimples (guides where to drill holes) that are just left of centre, near the top of the unit.
3. Place the 'S' Bracket over the dimples to make sure the holes line up. Using an electric drill with the drill bit (provided), drill a hole through each of the 2 dimples on the top of the unit.
4. Place the 'S' bracket over the holes so that the top end of the bracket is above the top of the unit (as shown in diagram left).



Once the bracket is in place, insert a bolt through each hole so that it is visible through the vent hole in the top of the unit (see diagram below). Run a thin bead of silicone around the stainless steel washer (provided) and place over the protruding bolt, on the inside of the unit. Place a stainless steel nut over each protruding bolt and tighten.



Fastening the bracket to the wall:

1. Place the MOBILE against the wall where it will be mounted.
2. With a pencil, mark the location of the holes in the mounting bracket.
3. Drill a small hole in each of the pencil markings to accept anchoring screws. Use a #8 x 1" screw to anchor the unit to the wall. Once installed, the vent pipe will hide the bracket.

'L' Shaped Brackets




The 'L' bracket, (pictured left) is for attaching the toilet to the floor. (see diagram below)

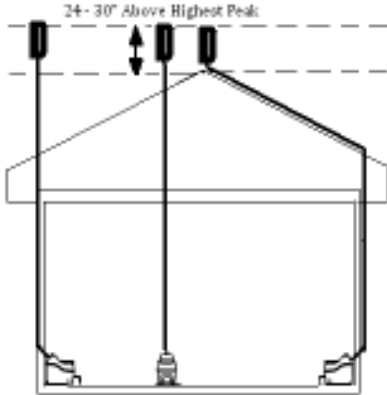
1. Locate the 'L' Bracket in the desired location.
2. Remove the finishing drawer. Using the holes in the 'L' bracket as a guide, mark the location of the two holes with a pencil. Use a drill with the drill bit (provided) to create small holes in the side of the MOBILE tank being careful not to drill downward toward the heating element.
3. Make sure the drilled holes line up with the holes in the 'L' bracket..
4. Place a small bead of silicone over the hole between the 'L' bracket and the Mobile tank. Dip the bolt into silicone and insert the bolt into the hole in the bracket and through the corresponding hole in the Mobile tank.
5. Place a small amount of silicone into the centre of the nut and fasten over the bolt to fasten the bracket.

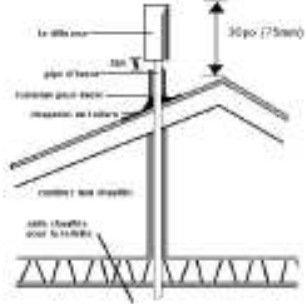
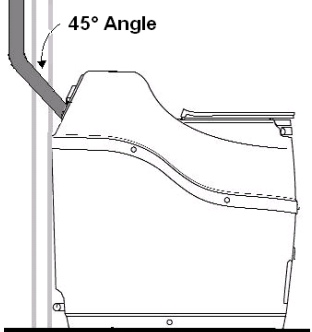
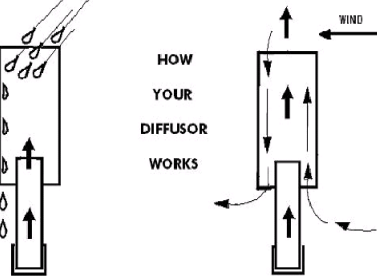
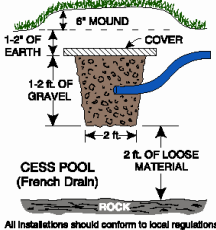


Important: Ensure all bolts used for brackets are sealed with silicone to prevent leakage.

<p>Space Required and other Installation Considerations</p>	<ol style="list-style-type: none"> 1. Compost is removed from the finishing drawer. Ensure that there is at least 15" in front of the MOBILE Toilet so that the drawer may be removed from the unit. 2. Install the unit in a location where the safety drain can be connected. This drain exits from the back of the unit and must slope downward at all points. 3. Install in a location where the vent pipe can be attached as per the instructions listed on page #9. 4. Install in a location that is not air tight. 5. Ensure that there is a three-pronged plug with a GFI (ground fault interrupter) or 12 Volt connection installed within 5 feet of the unit. 6. Ensure the MOBILE Toilet is protected from precipitation. 7. The toilet must be installed on a level surface or sloping slightly towards the back.
<p>Vent Pipe Location</p>	<ol style="list-style-type: none"> 1. The vent stack should be installed as near to vertical as possible. Maximum of two 45° bends. DO NOT RUN THE VENT HORIZONTALLY AT ANY POINT. 2. Insert the 3" vent inlet coupling into the 3" hole on the top of the unit. 3. Position the fan box in the vent stack where maintenance can be carried out conveniently. 4. If using the flexible hose, use at the top of the filter box so that moisture does not collect in the corrugations. 5. All connectors in the vent pipe should be sealed with silicone caulking. 6. Minimize the number of sharp angles as each reduces vent efficiency. Do not use any 90 degree elbows, since this will reduce air flow substantially. 7. Where the piping is taken through the roof, a roof flashing should be used to seal the installation.
<p>Installing the Fan Filter Box</p>	<ol style="list-style-type: none"> 1. Place the fan filter box in the vent stack where it is easily accessible to replace filter materials. 2. Remove enough of the filter materials (carbon and zeolite) so that you will only have about 1/2" (12mm) of carbon in one filter bag and 1/2" (12mm) of zeolite in the other filter bag (too much filter materials will stop the air-flow in the composting unit). 3. Place the zeolite and carbon filters on top of the plastic mesh inside of the filter box. Place the top of the filter box into the bottom of the filter box (part with plastic mesh). 4. When attaching the filter box to the vent, use the flexible vent hose to connect to the vent from the top of the filter box and a rigid coupling at the bottom of the filter box. 
<p>Leading the Vent Through the Roof</p>	<ol style="list-style-type: none"> 1. Locate the area on the roof where the vent will be installed. 2. Cut a 3" diameter hole through the roof where the toilet will be located. 3. Install the 3" vent through the roof and liberally apply the self-leveling roof sealant around the edges of the vent. Completely seal all seams and areas where water can penetrate. Let this cure before inspecting the vent and applying more sealant as necessary. 4. Install deck or roof vent according to the manufacturer's instructions.
<p>The Deck or Roof Vent</p>	<p>DECK VENT NOT SUPPLIED: Purchase a deck vent which fits the decor and function of your mobile vehicle. The deck fitting should discourage downdraft and also prevent liquid (especially sea-water) from entering the toilet. It should also encourage ventilation of the toilet at all times.</p>
<p>Drain Installation</p>	<p>The safety drain must be connected as it will be required in all installations.</p> <ul style="list-style-type: none"> - Remove the orange cap from one side of the overflow drain assembly. - Place a 1" hose clamp over the end of the drain hose that will be connected to the overflow drain assembly. - Push the drain hose over the ribbed end of the over-flow drain and clamp with the 1" SS hose clamp. - Connect the 1" hose to an approved drainage facility. - The safety drain is gravity fed. The drain hose must be below the level of the safety drain in order to function.

SPACESAVER Installation

<p>Space Required and other Installation Considerations</p>	<ol style="list-style-type: none"> 1. Compost will be removed from the finishing drawer. Ensure that there is at least 15" in front of the SPACESAVER Toilet so that the drawer may be removed from the unit. 2. Install the unit in a location where the safety drain can be connected. This drain exits from the back of the unit and must slope downward at all points. 3. Install in a location where the vent pipe can be attached as per the instructions listed below. 4. Install in a location that is not air tight. 5. Ensure that there is a three-pronged plug with a GFI (ground fault interrupter) installed within 5 feet of the unit. 6. Ensure the SPACESAVER Toilet is protected from precipitation. 7. Ensure that the unit is installed on a level surface or sloping slightly towards the back.
<p>Vent Pipe Location</p>	<ol style="list-style-type: none"> 1. If running a vent through a wall, it should be done at a 45° angle to prevent condensation from accumulating in the vent pipe, causing a constriction. NO HORIZONTAL SECTIONS OF VENT. Venting should be installed vertically. 2. All vent pipe that is exposed to the outside or in a non-heated space, should be insulated if using the unit during cold weather. 3. INSTALL VENT SO THAT IT TERMINATES 24" - 30" ABOVE HIGHEST PEAK OF THE ROOF. 4. If you will be installing venting on a steeply pitched roof where snow shear may occur; Install a heavier pipe through the roof and feed the enclosed vent through the heavier pipe. Seal between the pipes with expandable foam or other such water-tight substance. The heavier pipe should be able to withstand the weight of sliding snow. 5. If there is more than 36" of vent needed above the roof line to reach 24-30" above the highest peak of the roof (diffuser included in measurement), use guy wires to secure the vent above the roof. 6. Limit bends in the vent stack to no more than 4 that have a combined total of 180 °. 7. The vent must be installed separately from ALL other household vents. Venting cannot be merged with other venting. Doing so will prevent the unit from operating odorlessly. 8. All connectors in the vent pipe should be sealed. Use silicone caulking to seal the connection between the vent and the fan. PVC cement may be used for all other vent connections. 9. The diffuser should be glued vertically on to the top of the vent pipe. This assembly helps draw air up the vent pipe. <p style="text-align: center;"><i>Possible venting configurations for the 2" electric vent pipe.</i></p> 

<p>Leading the vent through the roof</p>	<p>The vent stack (shown in diagram) should end approximately 30" above the peak of the roof so that it is less subject to downdraft. Where the pipe is taken through the roof, a roof flashing may be required to seal the installation. If you are in an area where snow shear is a danger, you may wish to install a heavier pipe around the vent pipe where it exits from the roof. If you do choose to do this, ensure that you seal the area between the pipes with a waterproof substance to prevent leaks.</p>	
<p>Leading the vent through the wall</p>	<p>When it is necessary to lead the vent through a wall, connect one 45° elbow on the vent outlet on the unit. Using a 2" hole saw or other appropriate tool, cut a hole through the wall board behind the unit so that the vent pipe can be inserted into the 45° elbow. Cut a similar hole on the other side of the wall that is slightly higher than the inner hole so that the vent pipe will be angled upward at 45°. If installing through an exterior wall, waterproof sealant will be required around the vent pipe where it emerges from the building.</p>	
<p>The Diffusor</p>	<p>The diffusor provided with the unit is a simple device to be installed at the top of the vent stack with the larger pipe protruding above the smaller. To install, simply glue the diffusor vertically on the topmost section of vent pipe. The diffusor design encourages updraft, and discourages wind and weather from going down the vent stack. We do not recommend installing anything else on the top of the vent as it could impede the venting. Unlike wind turbines, diffusors are less likely to freeze in winter, and are more effective in calm weather.</p>	
<p>Drain Installation</p>	<p>The safety drain should be connected as it will be required.</p> <ul style="list-style-type: none"> - Remove the orange cap from one side of the overflow drain assembly. - Place a 1" hose clamp over the end of the drain hose that will be connected to the overflow drain assembly. Push the drain hose over the ribbed end of the over-flow drain and clamp with the 1" SS hose clamp. Connect the 1" hose to an approved drainage facility. - Drain hose installation is required for all applications. 	
<p>Handling Effluent</p>	<p>The following are possible options to take care of the liquid :</p> <ul style="list-style-type: none"> - Feed into a lined pit filled with gravel and sand. Such a recycling bed also ensures a closed loop system. - Feed into a small cesspit or "French drain". - Plumb into an existing septic or holding tank line. <p>Installation should be in accordance with applicable local regulations.</p>	
<p>Electrical Considerations</p>	<p>The fan will run continuously 24 hours per day. A ground fault interrupter (GFI) circuit is recommended for any unit installed in an environment where it will be exposed to moisture. This may be installed directly on the wall socket or at the circuit breaker. If you are in an area where you experience power fluctuations, you may wish to install a surge protector.</p>	

Initial Start Up and Use

These steps are only used when starting up your MOBILE/SPACESAVER toilet for the first time or when you have emptied the drum and need to re-start the compost.

After installation is completed, do the following:



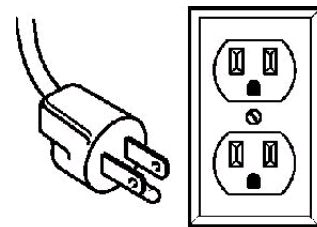
Step 1 : Spray Compost Quick: Remove the finishing drawer and spray the whole inner floor of the unit under the finishing drawer. Spray Compost Quick into the patented bio-drum and the inside of the finishing drawer.

Step 2: Pour 1/3 bag of Compost Sure Green into a bucket and add 2 quarts of warm water. Add 1/2 of the Microbe Mix packet to the bucket. Allow the Compost Sure Green to absorb the water (about an hour).



Step 3: Scoop the Compost Sure Green mixture into the patented Bio-Drum through the opening under the toilet seat on the MOBILE/SPACESAVER toilet. Rotate the drum to mix. The opening in the drum must remain open under the toilet seat. The MOBILE/SPACESAVER toilet is now ready for use.

Step 4: For electric units only. The fan will run continuously 24 hours per day.
120 Volt Use: Plug it in to a three prong electrical outlet.



When you first start up the MOBILE/SPACESAVER toilet, it will take approximately 6 weeks at optimum temperatures (70-90 ° F) before you will have sufficient quantities of microbes in the drum to actually achieve good compost. During this time, the contents of the patented Bio-Drum start out as Compost Sure Green and waste. Over the first 6 weeks, you will notice that the compost will hold moisture and will become more uniformly dark in color. During the first 6 weeks, you may notice that some Compost Sure Green has fallen through the drum screen onto the evaporation chamber to the left of the finishing drawer. This should be raked out and removed with the rake tool provided with the unit.

NOTE: Regular toilet paper may be used. Toilet paper is a good source of carbon for your compost so it may be added to the Bio-Drum™

Ongoing Toilet Maintenance

Once your MOBILE/SPACESAVER toilet is installed and you have gone through the initial start-up procedure, follow the steps outlined below to keep your composting toilet working optimally.

<p>Add one cup of Compost Sure Green per person per day of use</p>	<p>Even if you only use the toilet for urination then at least one cup of Compost Sure Green should be added per person per day of use. Add the Compost Sure Green through the hole under the toilet seat of the MOBILE/SPACESAVER toilet.</p>
<p>Spray Compost Quick on the surface of the compost</p>	<p>Every second day before turning the handle, spray 3-4 sprays of Compost Quick on the surface of the compost. Compost Quick is an enzyme that will speed up the composting process.</p>
<p>Turn the handle clockwise every second day to mix the compost</p>	<p>Turn the handle in a clockwise direction to mix and aerate the compost. When mixing, ensure that the drum rotates 6 complete revolutions (36 turns of the handle).</p>
<p>Make sure that the opening in the drum is centered under the toilet seat.</p>	<p>The hole in the drum must be open under the toilet seat, ready to receive waste.</p>
<p>Every two weeks</p>	<p>Add one scoop of Microbe Mix to the patented bio-drum to 'recharge' the pile. This will help to ensure your microbe colony stays constant and healthy.</p>
<p>Every three months</p>	<p>Rake the evaporation chamber: Remove the finishing drawer. Rake any solid debris from the floor of the unit under the drawer (evaporation chamber), paying extra attention to the two back corners of the unit as this is where debris may accumulate. Remove the solid debris.</p>
<p>Twice per year</p>	<p>Clean the drum screen. Spray the drum screen with Compost Quick and let sit for 15 minutes (this will help to loosen the debris if the screen is not too encrusted). Scrub the screen vigorously with the wire brush. If brushing the screen does not clear it and liquid is still not draining through the screen, you may have to resort to having to use a screwdriver or nail to puncture each hole in the drum screen.</p>
<p>Periodic maintenance</p>	<p>Remove compost from the drum. When the drum is half full (even with the middle of the drum hub at the front of the drum) it is time to remove compost. To remove compost from the drum: See page 13 of your Owner's Manual</p>

CAUTION

- 1) **Do NOT** add or clean the toilet bowl liner with chemicals. Chemicals will kill the bacteria. **INSTEAD**, clean the bowl liner with Compost Quick.
- 2) **Do NOT** add plastic, glass, metal, cleaning fluids, cigarettes. Add only waste and bulking material.
- 3) Kitchen or garden waste, are **NOT** recommended.
- 4) **Do NOT** add baby wipes, diapers or feminine paper as they will not compost.

Seasonal Use and Springtime Start Up

Empty Compost from Last Season

Before your first use of the unit, extract compost from the drum by releasing the drum locker (located above the drawer opening), then rotate the handle counter-clockwise giving the drum one complete revolution only. Compost from the drum will drop into the finishing drawer. Empty the drawer and repeat this procedure until most of the compost is removed, leave 3-4" of compost. This will be your "starter base" for the coming season.

Rake

Remove the finishing drawer completely and use the rake tool to rake any loose material from the floor of the unit. Pay careful attention to the back two corners of the unit (near the safety drain), to ensure that your drains do not get clogged.

Add Water & Microbe Mix

Add some warm water to the remaining compost, enough to ensure that it is quite moist. Also, add some Sun-Mar Microbe Mix (two of scoops) to give the compost pile a "kick-start" and rotate the drum several times to mix. If your composting toilet is electric, plug it in and use for another season.

Winter Use

No Winter Use

Just add water, lots of water. Soak the compost in the drum to prevent it from drying out before Spring. Make sure to unplug the unit if electric.

Occasional Winter Use

If the unit will be used for 3-4 weekends throughout the winter season then it is considered occasional use. All of the same considerations should be taken with these units to winterize them. When the temperature dips below 55 ° F (13 ° C), composting activity will decrease dramatically. These units do not need to be kept warm and will act only as a holding tank during the winter months until they warm up enough in the spring to begin composting again. During the winter, the compost will freeze into a solid mass so the drum should not be turned as it may damage the composting toilet. With this in mind, it is a good idea to remove enough compost before it gets too cold to make room in the drum for winter use.




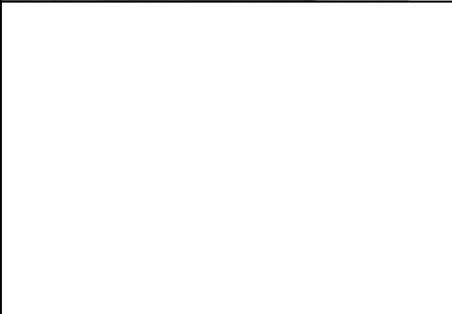
Heavy or Residential Winter Use

These units should be kept in a heated area and all winterization tips should be followed, including the following:

- 1) Vent Pipe - all vent pipe should be insulated if they are exposed to the outside or in an unheated area. If you are in an area that experiences extreme winter conditions, we recommend that heat tape should be applied to the exposed vent pipe to prevent ice blockages.
- 2) Safety Drain - all models; we recommend that the safety drain should be installed and insulated above the frost line. There will be less evaporation in the winter so this will help with any excess liquid. If possible, heat tape can be applied to the safety drain to prevent ice blockage.
- 3) Keep it warm; If the composting toilet is used frequently in the winter then the composting part of the unit should be kept in a warm place. Below 55 ° F (13 ° C), composting actions slows dramatically so if it is in a place that falls below this temperature, a source of heat should be provided for the unit so that it can keep up with constant use.

Removing Compost from the patented Bio-Drum

The level of compost in the patented Bio-drum should never be more than half full. As a guide, the compost in the drum should be at least 4 inches from the bottom of the drum door. Compost must be removed from the drum by following the steps outlined in this section.


<p>Pull the drum lock Button</p>	<p>Remove the footrest from the front of the toilet. Pull the drum lock button out and hold it out while turning the handle.</p>	<p>The drum lock button is attached to a bar that sits in a molded depression in the drum. When the button is pulled, the bar is pulled out of the depression which allows the drum to turn in the opposite direction.</p>	
<p>Turn the handle counter-clockwise</p>	<p>While holding the drum lock button out, turn the handle counter-clockwise for three revolutions of the handle. Release the drum lock button and continue to turn the handle counter-clockwise until the opening in the drum is under the seat.</p>	<p>The drum door will stay open allowing compost to fall into the finishing drawer. Fresh and composted material will be deposited into the drawer.</p>	
<p>Level the compost in the drawer</p>	<p>Open the drawer and use rake to level the Compost.</p>	<p>Leveling the compost will prevent compost from soiling the patented bio-drum.</p>	
<p>Allow the compost to rest</p>	<p>Compost should now be allowed to rest in the drawer for 3 - 4 weeks to finish the composting process.</p>	<p>This compost will be isolated from any new waste and should be left in the drawer for a minimum of 4 weeks or longer to finish composting.</p>	

Compost may be removed at any time that you may need more space in the drum and will need to be removed more frequently for heavily used units or where the MOBILE/SPACESAVER toilet is the primary residential toilet.

Compost Troubleshooting

Symptom	Cause	Remedial Action	Prevention
Compost Too Wet	Compost porosity is poor.	Change bulking material to Compost Sure Green.	Use Sun-Mar Compost Sure Green
	Drum screen clogged	Spray the drum screen with Compost Quick. Scrub the drum screen with wire brush.	
Waste not Breaking Down at all (the drum will fill up quickly)	Insufficient moisture in compost	A moisture content of 40-60% is ideal for aerobic microbes to thrive.	Add water to patented bio-drum
	Insufficient Microbes	Add Sun-Mar Microbe Mix.	Be sure to add microbe packet at start up.
	Room Temperature Under 55 ° F/13°C	Install heat source to increase temperature. Temperature should be kept above 55 ° F/13°C constantly to ensure the composting action does not stop completely.	Install unit in warm area. The warmer the area, the better your compost will be!
Large Lumps in Compost	Compost Too Dry	Add 1/2 to 1 gallon of warm water to compost in order to bring it up to appropriate moisture level. Remove lumps or break them apart.	Use proper bulking material and add warm water if necessary.
Drum Too Full	Compost not emptied into finishing drawer in a timely fashion	Remove compost until drum is only half full or less. Rotate compost thoroughly to aerate, and add compost accelerant (Compost Quick and Microbe Mix) if available.	When drum is 1/2 full, remove some compost to the finishing drawer. Do NOT let drum get above 1/2 full. This will lead to lack of aeration, and anaerobic compost.
Flies Present	Kitchen/Garden Waste added	We do not recommend adding kitchen or garden scraps.	Do Not add kitchen or garden waste.
	-compost too dry -compost anaerobic -foreign material added	1.To eliminate flies, you can use any pesticide that is used on your garden. Pesticides used for garden use are not anti-bacterial so are safe to use on your compost. 2. The alternative to using pesticides is to completely clean the toilet out, wash the inside with soap and water IMPORTANT: Application of a pesticide in a SUN-MAR toilet is not a health concern because all SUN-MAR units are vented. If using pesticides, avoid spilling on the outer shell of the composter	1. Keep compost moist. In order to determine a good level of moisture, shine a flashlight into the drum. The compost should have a slight gloss or shine. If it does not, add warm water to it until it reaches this consistency. Fungus gnats tend to be attracted to a dry compost, due to the fungus which begins to form on the surface when it dries out. A good, moist compost will not be attractive to flies. 2. Do not add topsoil from the ground, composted matter, or kitchen scraps to the toilet. Flies may be present in, or attracted to these items. 3. Use "Compost Sure Green".

MECHANICAL TROUBLE SHOOTING

Symptom	Cause	Remedial Action	Prevention
Urine Odour in Washroom	Horizontal runs or downward slopes on vent pipe	Re-install the vent so there are no horizontal or low points where condensation can collect.	Install wall brackets on vent pipe to prevent settling. DO NOT install horizontal runs as liquid will collect and block ventilation, causing odor.
	Fan has failed Downdraft	Have your serial number ready and call SUN-MAR for a replacement. Instructions are included with the replacement fan.	The fan is a constantly moving part and has a finite service life.
	Competing appliances	If you believe that there may be a downdraft outside of the building, it may be a good idea to remove your fan assembly prior to installation and set the fan gate to '0' to prevent urine odor in the bathroom. (SPACESAVER)	
	Incorrect installation of filter box (MOBILE)	Ensure that filter box is installed with fan in the top portion of the box.	
	Too much carbon or zeolite in filter box (MOBILE)	Remove some filter material to allow unobstructed venting of unit.	Large amounts of carbon or zeolite will prevent air flow.
Occasional Urine Odor Outside	<ol style="list-style-type: none"> 1. Vent stack not installed above peak of roof. 2. If vent stack is installed above roof line, natural obstructions, such as tall trees, being located in a valley or close to a hill may be causing downdraft. 	<ol style="list-style-type: none"> 1. Check that the vent is installed above the peak of the roof. If not, extend the vent. Guide wires may be necessary. 2. Add lime to the evaporation chamber – as much as you think necessary. You will have to rake more often if you do this. 3. (SPACESAVER) SUN-MAR has a filter box available which will filter the ammonia out of the vented air in a downdraft situation. Call SUN-MAR for details. 	Initially, install the vent above the peak of the roof. If symptoms occur, add lime or a filter box. (SPACESAVER)
Strong Sewage Odor	Compost is anaerobic	Begin following: “Compost troubleshooting” suggestions.	Follow “Ongoing Maintenance” and use proper bulking material.
Fan Noisy	Fan damaged in shipping or bearings are beginning to wear.	<ol style="list-style-type: none"> 1. If it is rattling, it may need to be cleaned or the bearings are worn and the fan needs to be replaced. 2. A hum is the normal sound the fan will make. If you are in a very quiet setting it will be more noticeable. 	Clean the fan with a small brush and/or compressed air nozzle once a year. This will prevent wear and lengthen the life of your fan.

Symptom	Cause	Remedial Action	Prevention
Fan Not Working	Debris in fan or mechanical failure.	Remove the fan assembly from the unit and vacuum any dust out of the fan blades. Check the power source. If this does not remedy the problem, have your serial number ready and call SUN-MAR	The fan is a continuously moving part which will eventually have to be changed. Do Not turn on and off daily.
Liquid Build up/ Lack of Evaporation	Increased usage.	The amount of liquid varies substantially between installations. The overflow drain must be installed.	Install the overflow drain.
	Climactic conditions	Evaporation rates vary substantially with climatic conditions. Expect faster evaporation rates during warm dry weather.	
	Mineral salts may have accumulated in the evaporation chamber over time, reducing evaporation rates.	To remove these, fill the evaporation chamber with very hot water and 1/3 bottle of "Compost Quick" enzyme liquid. Leave overnight.	Rake evaporating chamber at spring start ups for cottage use, and once every other month for residential use.
Liquid Overflow	Drains Blocked	<ol style="list-style-type: none"> 1. Rake peat moss away from the safety drains. This is the "build up" area. If drains are still clogged, proceed to step 3. 2. Check drain line for kinks, blockages or upward bends. Remove and flush if blockages present, un-kink if bent and ensure that the drain pipe is sloping downward. If your drain pipe is in order, proceed to step 3. 3. Use a wire to poke blockage out of the Drain assembly. A brown spot will be visible through the opaque assembly. 	<ol style="list-style-type: none"> 1. A clogged drain is not very likely to happen if evaporating chamber is raked every 3-4 months. 2. Use premium 1"ID hose for the drain line. A good hose will be less likely to kink. Use elbows or fittings around bends to prevent kinks. 3. Use Compost Sure Green as a bulking material.
	Overflow drain not hooked up	Connect overflow safety drain	Evaporation will slow during damp weather, make sure drain hose is installed.
	Unit tipped forward	Check and ensure that the unit is level.	

Symptom	Cause	Remedial Action	Prevention
Heating System Not Working	Test to determine whether failure has occurred	Pull finishing drawer out and put your hand in the evaporation chamber (NOT in the liquid). If there is no warmth rising from the floor of the unit, your heating system is not working. It is most commonly the thermostat that has failed. If you notice a Lack of evaporation, but there is still warmth in the heating chamber, see "Liquid Build up" for solutions.	A ground fault interrupter circuit is recommended to protect your MOBILE/ SPACESAVER Toilet from power surges that could cause your heating system to malfunction.
	Thermostat Failure	Have your serial number ready and call SUN-MAR for a replacement. (Detailed instructions are included with the replacement part)	Your thermostat and fan are the two constantly moving parts on the unit, and so are the most likely to fail.
	Heating Element Failure	If the insulation behind the electric box is moist or discolored, or heating does not work after the new thermostat has been connected, then the heating element has failed.	If you ever remove the unit from the bathroom for cleaning, DO NOT use a water hose around the base of the unit.
Liquid in Finishing Drawer	Drum Screen Clogged	Rotate the drum 180 ° so that the drum screen is on top - you will just be able to see the edge of it if you take out the bowl liner.	Scrub drum screen with a wire brush.
Drum Will Not Turn	Set screw securing handle to shaft has broken	Drill out set screw and replace, or have your serial number ready and call SUN-MAR for a handle replacement kit (instructions included).	Drum should never be more than ½ full.
	Steel roll-pin securing gear wheel to shaft has broken	Have your serial number ready and call SUN-MAR for a replacement small gear kit.	
Drum Door Not Opening/ Closing Properly	Drum too full Hinges Stuck	Spray hinges with Compost Quick. Scrub hinges with toothbrush or other soft nylon bristled brush.	

MOBILE/SPACESAVER Toilet Basic Operating Instructions

These instructions are not to replace the owner's manual, but are intended as simple instructions for daily use.

1) USING THE TOILET If it's yellow, let it mellow. Good advice! If you simply urinate in the toilet, deposit your toilet paper in the toilet, close the lid and walk away...your job is done! If the toilet is being used predominantly for urination, be sure to add at least one cup of bulking mixture per average amount of users per day. If you make a more substantial contribution, deposit your toilet paper and one cup of Compost Sure into the drum of the toilet. Close the lid and walk away!

2) Every other day, turn the handle to mix and aerate the compost.

Pull the handle from under the seat and **turn in a clock-wise direction only**. Open the lid of the toilet

seat. Watch as the drum turns. The opening in the drum should come to the top of the drum 6 times. Once you have completed turning the drum, make sure the opening for the drum is centered under the toilet seat. Fold the handle back under the seat, close the toilet seat lid and you are done. **Only turn the drum every other day!**

Bulking Material

When you run out of our Compost Sure bulking material, more Compost Sure through your Sun-Mar dealer, on line at www.sun-mar.com. Do not use 100% peat moss as this will clog your drum screen and drains.

Periodic Maintenance




Rake out evaporation chamber with rake provided (the area below the finishing drawer). Clean the drum screen. Remove the bowl liner and lift the toilet seat. Turn the handle 3 revolutions to bring the drum screen to the top of the drum. Access can be gained by reaching through the hole under the toilet seat. Spray the drum screen with Compost Quick and let sit for 15 minutes (this will help to loosen the debris if the screen is not too encrusted).

Scrub the screen vigorously with the wire brush. If brushing the screen does not clear it and liquid is still not draining through the screen, use a screwdriver or nail to puncture each hole in the drum screen.

Attention: the MOBILE/SPACESAVER Toilet electric model must remain plugged in to an electrical outlet continuously to function odorlessly. If you will be away from the residence where the composting toilet is installed for longer than three days, the power may be disconnected while the composting toilet lays dormant.

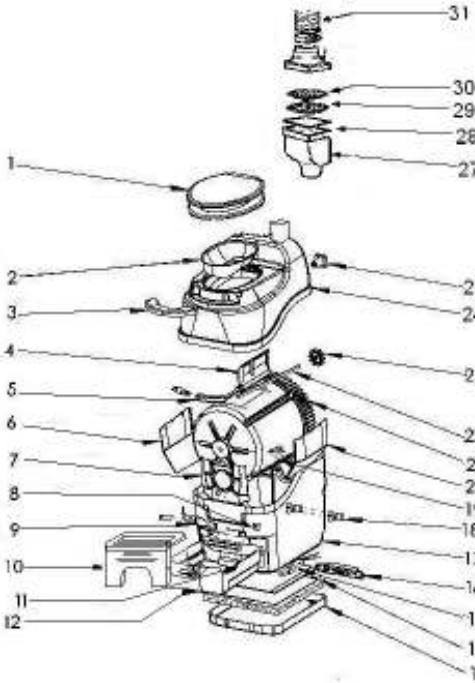
ACCESSORY ITEMS FOR THE SELF CONTAINED TOILET

SUN-MAR has developed a number of composting accessory items over the years in response to frequent requests from users. These items may serve to improve composting speeds under some circumstances.

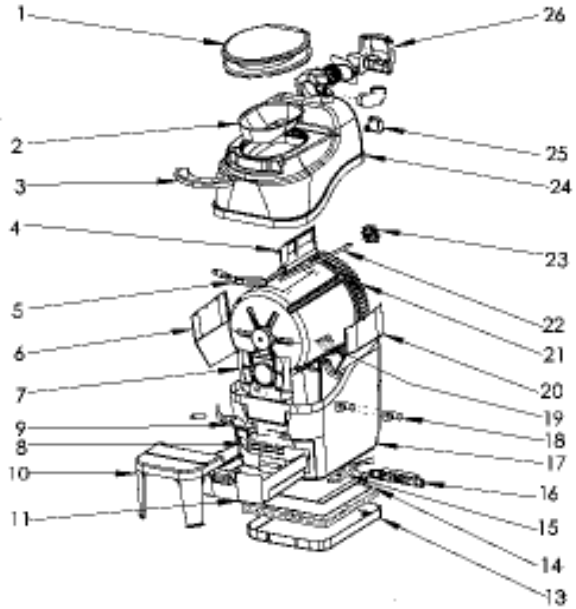
Name	Description	Container
“Compost Quick”	Cleans and accelerates the composting action of your Sun-Mar composting toilet. Compost Quick is a specially selected natural enzyme solution that also assists in the decomposition of waste. 100% natural and non-toxic. 500ml(16oz) Bottle	
“Microbe Mix”	100% natural product combining a blend of microbes and enzymes designed to start and accelerate composting in all Sun-Mar toilets. 500g (16oz) Jar	
“Compost Sure Green”	The ideal bulking agent for your Sun-Mar waterless toilet. Compost Sure Green is specially formulated to keep compost enriched with organic carbon, moist and maintain porosity ensuring maximum aeration. 30 Litre/8 Gallon Bag	

Note: Use “Compost Sure Green” for optimum results.

MOBILE / SPACESAVER SPECIFICATIONS EXPLOSION DIAGRAM & PART NUMBERS

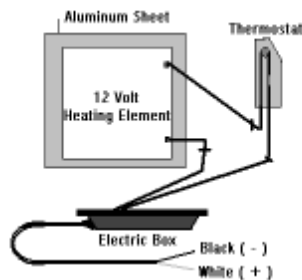
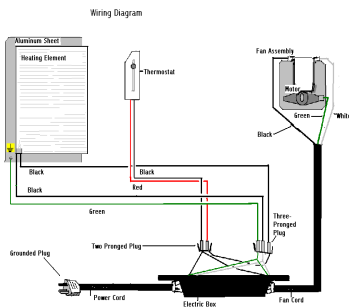


MOBILE



SPACESAVER

- | | | |
|------------------------------|-----------------------------|---------------------------------|
| 1 Toilet Seat | 11 Drawer | 23 Nylon Drive Gear |
| 2 Bowl Liner | 12 MOBILE Face Plate | 24 Top |
| 3 Front Cover | 13 SPACESAVER Heating Tray | 25 Shaft Holder |
| 4 Drum Door | 14 Heating Element C9806 | 26 PACESAVER Fan |
| 5 Handle Kit | 15 Thermostat | 27 Filter Box (MOBILE) |
| 6 Humus Deflector Left | 16 Electric Box | 28 12 Volt 5.4 Watt Fan(MOBILE) |
| 7 Front Bearing Plate | 17 Tank | 29 Zeolite Filter (MOBILE) |
| 8 Snap Apart Hinge (MOBILE) | 18 1" (25mm) Drain Assembly | 30 Carbon Filter (MOBILE) |
| 8 Footrest Channel | 19 Drum Screen | |
| 9 Drum Locker | 20 Humus Deflector Right | |
| 10 Folding Footrest (MOBILE) | 21 Patented Bio-Drum | |
| 10 Footrest (SPACESAVER) | 22 Shaft | |



MOBILE/SPACESAVER

MOBILE 12 VOLT

Electrical Specs	MOBILE	MOBILE 12V	SpaceSaver
Maximum Amps	2.0	8.0	1.2
Fan Watts (Required)	5.4 req .	5.4 req.	35req.
Heater Watts (When on)	160	90	160
Average Power Use In Watts (Heater on 1/2 time)	85	50	110

WARRANTY

SUN-MAR Corp. warrants the original purchaser that this toilet is free from defects in material and workmanship under normal house or cottage use. SUN-MAR Corp. will furnish new parts for any part that fails within three years and five years on the fiberglass tank, provided that our inspection shows that such failure is due to defective material or workmanship. Any part supplied by us to replace another part is warranted for the balance of the original warranty period.

This warranty does not cover:

1. Damage resulting from neglect, abuse, accident or alteration; or damage caused by fire, flood, acts of God or any other casualty.
2. Parts and accessories not sold or manufactured by SUN-MAR Corp. or any damage resulting from the use of such items.
3. Damage or failure resulting from failure of the purchaser to follow normal operating procedure outlined in the Owner's Manual or in any other printed instructions.
4. Labor and service charges incurred in the removal and replacement of any parts found defective under the terms of this warranty.
5. All returns to the factory must be made freight prepaid. All shipments from the factory are made F.O.B. the factory.

This warranty is in lieu of all other warranties expressed or implied, and no person is authorized to enlarge our warranty responsibility, which is limited to the terms of this certificate. The Company reserves the right to change, improve or modify its products without obligation to install these improvements on equipment previously manufactured.

Sun-Mar

Product Info: (905) 332-1314 Fax: (905) 332-1315 Tech. Service: (888) 341-0782 Ext 218
E-mail: compost@sun-mar.com <http://www.sun-mar.com>

600 Main St.
Tonawanda, N.Y.
14150-0888 U.S.A.

5370 South Service Rd.
Burlington, ON
L7L 5L1 CANADA