

UNIQUE UGP 2

PORTABLE CAMPING FREEZER

Installation and Owner's Manual



WARNING: Improper installation, adjustment, alteration, service or maintenance can cause injury or property damage. Refer to this manual. For assistance or additional information consult a qualified installer, service agency or the gas supplier.

!SAVE THESE INSTRUCTIONS!

FOR YOUR SAFETY IF YOU SMELL GAS

- Open windows.
- Do not touch electrical switches.
- Extinguish any open flame.
- Immediately turn off gas supply and call your gas supplier.
- Do not store or use gasoline or other flammable vapors and liquids in the vicinity of this or any other appliance.

FOR YOUR SAFETY

If you smell gas:

1. Evacuate enclosure
2. Call professional for help



The installation of the appliance must conform with local codes ANSI Z21.74 1992, in the absence of local national Fuel Gas Code, ANSI Z233.1, and in Canada B149.2 Propane Storage and Handling Code.



UNIQUE

MANUFACTURED AND CERTIFIED BY

Unique Gas Products Ltd

“Personal Service & Knowledge makes us Unique”

2245 Wycroft Road #5
Oakville, Ontario Canada L6L 5L7
Ph: 905-827-6154 Toll Free: 1-877-427-2266 Fax: 905-827-2027
www.UniqueOffGrid.com
E-mail: info@UniqueOffGrid.com

Table of Contents

Chapters	
Welcome	1
Safety and Warnings	1
Appliances Installation/ Operating Instructions	2
Maintenance & Service	3
Troubleshooting & Suggested Spares	4
Temperature Controls, Food Storage and Cleaning	5
Wiring Diagram	6
Parts & Warranty	7

Welcome & Congratulations

Congratulations on your purchase of a **UNIQUE** freezer! We are very proud of our product and we are completely committed to providing you with the best service possible. Your satisfaction is our #1 priority. Please read this manual very carefully. It contains valuable information on how to properly maintain your new gas freezer.

We know you will enjoy your new freezer and thank you for choosing one of our Unique Gas Products. We hope you will consider us for future purchases.

PLEASE READ AND SAVE THESE INSTRUCTIONS

This manual provides specific operation instructions for your model. Use your freezer only as instructed in this manual. These instructions are not meant to cover every possible condition and situation that may occur. Common sense and caution must be practiced when installing, operating and maintaining the appliance.

Please record your model and serial # shown below for future reference. This information is found on your CSA rating/serial plate at the side of your freezer.

Please mail in the **Warranty Registration Card** included with your freezer.



Safety and Warnings

If you smell gas

- Open windows.
- Don't touch electrical switches.
- Extinguish any open flame.
- Immediately call your gas supplier.



For your safety

- Do not store or use gasoline or other flammable vapors and liquids in the vicinity of this unit or any other appliance

Warning

- Improper installation, adjustment, alteration, service or maintenance can cause injury or property damage. Refer to this manual. For assistance or additional information consult a qualified installer, service agency or the gas supplier.
- This product can produce Carbon Monoxide. Carbon Monoxide has no odour and can kill you. The burner and flue system must be kept clean. See owner's manual for cleaning instructions.
- Electrical Grounding Instructions: This appliance is equipped with a three-prong (grounding) plug for your protection against shock hazards and should be plugged directly into a properly grounded three-prong receptacle. Do not cut or remove the grounding prong from this plug.
- Provide ample ventilation, especially when sleeping. This freezer consumes air (oxygen). Do not use this freezer in unventilated structures to avoid endangering your life. Provide additional ventilation for any additional fuel-burning appliances and additional "occupants."

Installation Instructions

- The installation of the appliance must conform to ANSI Z21.74 1992 in the absence of local national Fuel Gas Code, ANSI Z233.1, and in Canada B149.2 Propane Storage and Handling Code.

Installation and Operating Instructions

Installation

For best performance at high ambient temperatures, there must be free air circulation over the cooling unit at the rear of the freezer.

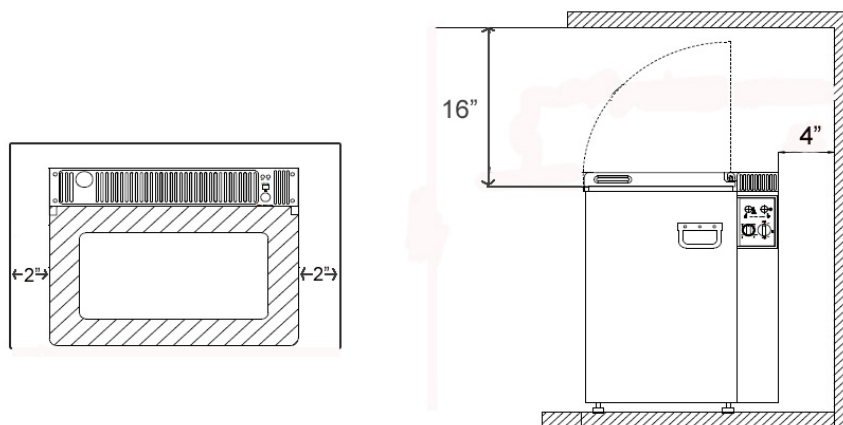
Ensure that there is a free air space above the freezer and that the flue (chimney) on top of the cabinet is not covered in any way. Do not place the freezer in a space where air circulation is restricted. Follow “clearance” instructions.

This UNIQUE 2 appliance has been certified as a portable camping appliance in North America it must be used as a portable camping appliance for use outdoors in sheltered area. While using on electrical operation this unit can be used in an enclosed area but must still be protected from moisture as comply with all clearances.

For installation, for maintaining proper clearances from combustible material to the freezer, the following minimum clearance must be observed:

Clearances

Minimum clearances to combustible materials are: **Top 16”, Sides 2”, Rear 4”**



Note: DO NOT install the appliance directly on carpeting. Carpeting must be removed or protected by a metal or wood panel beneath the appliance, which extends at least the full width and depth of the appliance.
Keep appliance area clear and free from combustible materials, gasoline and other liquids with flammable vapors.



WARNING— DO NOT USE FLAME TO CHECK FOR GAS LEAKS

Levelling

Ensure the freezer is leveled by using a 2ft level; the operation of this unit uses an absorption system which requires the appliance to be level in order to operate effectively.

Connecting to Gas Cylinder

The freezer is designed for a 20# steel propane self-contained fuel cylinder of not more 4.6 gal (20lbs) capacity. The cylinder(s) must be constructed and marked in accordance with the specifications for LP-gas cylinders of the U.S. Department of Transportation, DOT SPEC. 39 (49CFR 178.65).

Connecting of Gas Supply



1. Use supplied regulator and hose to connect your appliance to the gas supply.
2. Hook up the 5/8"-18UNF connection to the back of your appliance using a backup wrench.
3. Attach the regulator cap to the tank inlet connection and ensure it is tight.

4. After connecting, all **gas connections must be checked for leaks**. For this, put a soapy solution on all gas connections, turn on the gas cylinder manual valve and watch for bubbles. **Never use an open flame to check for leaks.**

Note: The gas supply system must incorporate a pressure regulator to maintain a supply pressure of not more than 12" water column and no less than 11" water column. (Max setting):

General Operating Instructions

Importance of Leveling a Freezer

The freezer must be adjusted to a vertical position in both directions. In an absorption refrigeration system, ammonia is liquefied in the finned condenser coil at the top rear of the freezer. The liquid ammonia then flows into the evaporator (inside the freezer) and is exposed to circulating flow of hydrogen gas, which causes the ammonia to evaporate, creating a cold condition in the freezer.

When starting this freezer, the cooling cycle may require 6 to 8 hours of running time to begin cooling before the cooling unit is fully operational, you can then begin slowly loading the compartment.

The tubing in the evaporator section is specifically sloped to provide a continuous movement of liquid ammonia, flowing downward by gravity through this section. If the freezer is operated when not level, liquid ammonia will accumulate in sections of the evaporator tubing. This will slow the circulation of hydrogen and ammonia gas, or in severe cases, completely block it, resulting in a loss of cooling. Warranty will not cover recharge/rebuild if caused by not running the freezer level.

This freezer operates LP Gas (Propane), 110V (Electricity) and 12V DC

Gas Operation

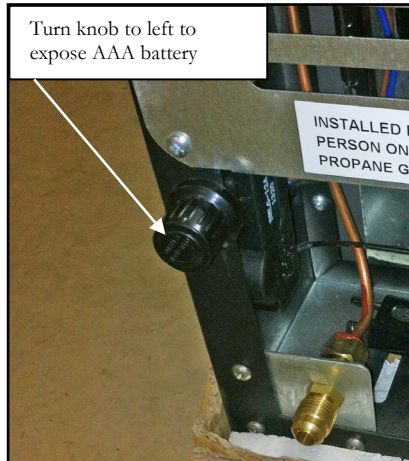
"Start Up" Procedure

After initial installation, servicing, or changing gas cylinders etc., the gas pipes may contain some air which should be allowed to escape by briefly turning on the freezer. This will ensure that the flame lights immediately.

1. Make sure that all valves between the gas container and the freezer are open.
2. Turn selector switch (E) to gas.
3. Depress the safety device control (A) and hold it down while immediately depressing the electronic igniter button (C).
4. Check the flame indicator (B) to see whether the flame is alight.
5. Keep the safety device control (A) depressed for a further 10-15 seconds.

6. Release the safety device control (A) and again check to see that the flame is alight.
7. Adjust the thermostat knob (D) to desired temperature setting after 6 to 8 hours of operation.
8. To terminate gas operation, turn selector switch (E) to OFF position.

Electronic Ignition Module Location



The electronic ignition battery module is located at the back of the appliance at the bottom left side while facing the back of the appliance.

If the battery requires changing, turn knob to the left to expose the battery, remove AAA battery and replace with new one (positive facing outwards), replace the knob and turn to the right to close.

Shut Down Procedure – LP Gas

- A. Turn selector knob “E” to “OFF” position.
- B. Shut the gas off at the LP-gas supply cylinder when the appliance is not in use.
- C. If the freezer will not be in operation for a period of weeks, it should be emptied, defrosted, cleaned and the lid left open.

110V Operation

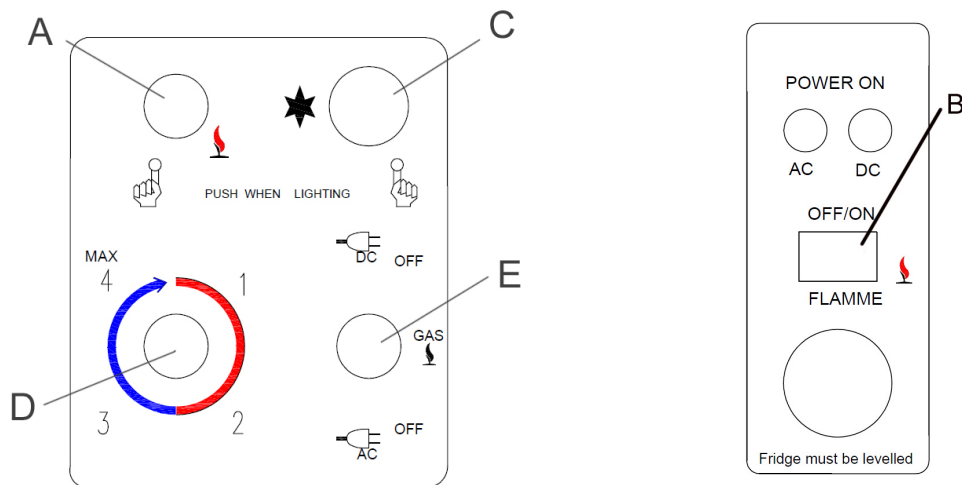
1. Make sure that the gas valve is turned off at the tank.
2. Ensure the electrical cord is plugged into a grounded outlet.
3. Turn the selector switch (E) to “AC” position. AC indicator light will illuminate.
4. Adjust the thermostat knob (D) to desired temperature setting after 6 to 8 hours of operation.

12V DC Operation

1. If 110 Volts or LP gas is not available, the freezer can work with DC12V (3-Way models only).
2. Make sure that you turn the main power switch (E) to “DC” position. Then you can connect the 12VDC power to the terminal block which is available in the rear bottom part of the freezer.
3. DC operation is not as efficient as LP Gas or AC operation. DC electric should not be used to initially cool the freezer. Only use DC when the other modes are unavailable (for example; while in transit). When you start to use AC or gas supply, make sure that you disconnect the DC power input.

CONTROLS – See Fig. #1 for description of controls

Figure #1



Thermostat

The freezer cooling temperature is controlled by a combination thermostat that can be adjusted by turning knob “D” to different settings to maintain the desired freezer temperature when operating on either gas or 110V. Knob “A” also incorporates a safety device which automatically shuts off the supply of gas if the flame goes out. The

electronic ignition **C** discharges sparks onto the burner when the button is pushed. See *Figure #1*

1. **“MAX” Setting of the Thermostat:** In gas operation, the thermostat allows the burner to remain on high flame continuously. (turn clockwise), and in 110V operation the element will stay on until the desired temperature is reached inside the freezer.
2. The thermostat can be adjusted between “4” and “1” to obtain the desired freezer temperature. When the thermostat reaches the set temperature, it will reduce the burner back to bypass operation or shut the element off in 110V operation.
3. In DC operation the freezer will only maintain the temperature that’s already been achieved. **There is no thermostatic function.**

How to Use the Freezer

This compartment is not designed for deep or quick freezing of food. To prevent food from drying out, keep it in covered dishes, containers, plastic bags or wrapped in aluminum foil.

Defrosting

Frost will gradually accumulate inside the freezer surfaces. It must not be allowed to grow too thick as it acts as an insulator. Check the formation and when it exceeds ½” thick, defrost the freezer.

Shut off and empty the freezer, leaving the freezer lid open.



DO NOT USE A HOT AIR BLOWER, PERMANENT DAMAGE COULD RESULT. DO NOT USE A KNIFE, ICE PICK, OR ANY OTHER SHARP TOOLS TO REMOVE FROST FROM THE FREEZER COMPARTMENT.



When all frost is melted in the freezer it should be wiped up with a clean cloth. Replace all frozen food and set the thermostat to its Max position.

Cleaning

Cleaning the freezer is usually done after it is defrosted or put into storage. To clean the interior liner of the freezer, use a lukewarm water and weak soda solution.



Never use strong chemicals or abrasives to clean these parts as the protective surfaces will be damaged. It is important to always keep the freezer clean. Dishwasher detergent is recommended.

Maintenance & Service

The user should be aware of service that must be done on a regular schedule to keep the freezer operating properly. Installation must be by a licensed gas fitter in accordance with local codes or must comply with Propane Installation Code CAN/CGA-B149.2 (latest edition)

- Keep appliance area clear and free from combustible materials, gasoline and other liquids with flammable vapors.
- Do not obstruct the flow of combustion and ventilation air, ensure clearances are followed.

FREEZER REMOVAL

Before working on the freezer, shut off the gas supply. Disconnect the gas supply line at the rear of the freezer. Always use a backup wrench when loosening and tightening this connection. Disconnect freezer from 110V source.

Warning: To avoid electrical shock always unplug your freezer before cleaning. Ignoring this may result in injury.

PERIODIC MAINTENANCE

Before working on freezer, shut off the gas supply. Disconnect the gas line at the rear of the freezer. Always use a backup wrench when loosening and tightening this connection.

To keep your freezer operating effectively and safely, periodic inspection and cleaning of several components is recommended once or twice a year, sometimes more often depending on environment.

- It's important to keep the area at the back of the freezer clean. Clean the coils on the back of the freezer. Use a soft bristled brush to dust off the coils.



Note: The following maintenance is required at least once or twice a year at least, more often based upon usage/environment.



- Check all connectors in the complete freezer LP gas system for gas leaks. The LP gas supply must be turned on. Apply a non-corrosive bubble solution to all LP connections. The appearance of bubbles indicates a leak and should be repaired **immediately** by a qualified serviceman.



WARNING – DO NOT USE FLAME TO CHECK FOR GAS LEAKS

PROCEDURE FOR CLEANING THE COOLING SYSTEM FLUE

WARNING: Carbon Monoxide can be hazardous to your health. Gas appliances may emit excessive Carbon Monoxide if the freezer's burner, burner orifice, and the flue tube are not regularly cleaned. To prevent Carbon Monoxide, the burner, burner orifice, and the cooling system's flue tube must be cleaned at least once a year and after all prolonged (seasonal) shut-down periods. Refer to the following cleaning procedures, or contact a qualified installer, your dealer.

1. Before cleaning, cover the burner to protect it from dirt;
2. Remove the spiral flue baffle from the flue tube.
3. Using a stiff brush or fine emery cloth, clean the spiral flue baffle of debris.
4. Clean the inside of the flue tube with a flue brush. Inspect burner after cleaning.
5. Re-install the spiral flue baffle. Insure the spiral flue baffle is securely in place. The spiral flue baffle is required for efficient cooling while operating in the gas mode.

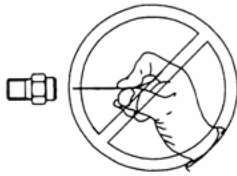
CLEANING THE BURNER

Take off the protection hood and do the following:

1. Clean the openings and the burner screen with a wire brush
2. Clean and inspect the electrode and thermocouple. If either is corroded, have it changed. Check that they are well attached and if necessary tighten the screws
3. Check that the spark is being created by pressing the electronic ignition button on the control panel.
4. Before removing burner orifice, clean burner area of any soot, scale or dirt
Remove the orifice and soak it in alcohol (isopropyl alcohol or thinners) and

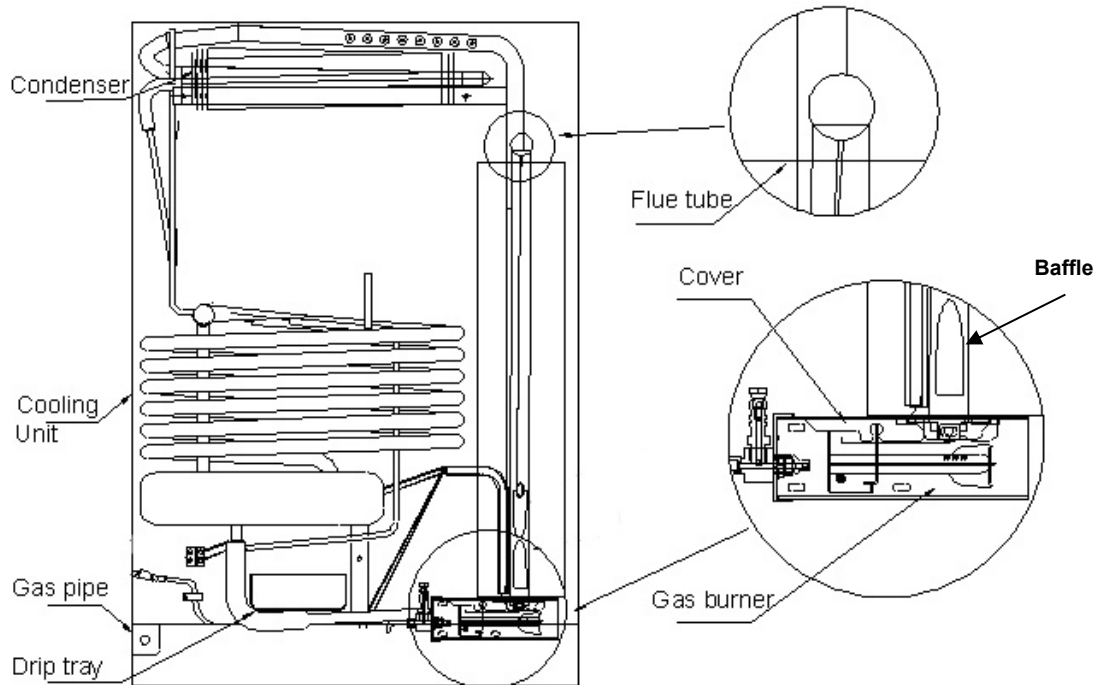
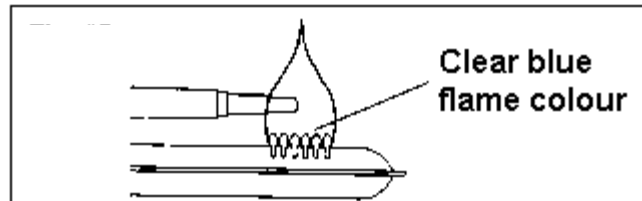
blow it out with compressed air. Do not use thin objects to either clean or unblock the injector. Re-install and tighten burner orifice.

5. Replace burner



Warning - DO NOT use a pin or wire when cleaning the burner orifice as damage can occur to the precision opening. This can cause damage to the freezer or create a fire hazard. It will also create **extremely dangerous** levels of carbon monoxide.

Visually check burner flame to ensure you have a clean burning flame, this is represented by a blue looking flame, a yellow/orange flame represents a dirty burner or orifice and needs to be cleaned.



VIEW OF BACK OF THE APPLIANCE

EXPLODED VIEW OF BURNER ASSEMBLY

WARNING – Button **(A)** Fig#1, page 7, must be manually depressed to allow gas pressure to flow to the burner orifice. Be sure to apply the leak check solution before depressing this button. **DO NOT** allow any open flame, sparks, smoking, etc. in the area of the test. **DO NOT** depress **(A)** for over 30 seconds. If leak occurs, correct problem, recheck with leak test solution then light the burner according to the instructions under **Operation Instructions, Chapter 2**

TROUBLESHOOTING INSTRUCTIONS & SUGGESTED SPARE PARTS TO KEEP ON HAND

FREEZER DOES NOT COOL, CHECK LIKELY CAUSES:

1. Burner orifice clogged. Clean. See section MAINTENANCE & SERVICE, CHAPTER 3
2. Check to ensure freezer is level – (left to right and front to back).
3. Restriction on air flow across cooling unit.
4. Heavy frost build up on inside of freezer. Defrost.
5. Flue baffle not inserted properly in flue tube.
6. Improperly set thermostat. See paragraph on thermostat. In hot weather or heavy use the setting should be closer to “Max” than usual.
7. Burner dirty. Clean. See Section MAINTENANCE & SERVICE, CHAPTER 3,
8. LP gas pressure low at burner. Regulator pressure must not drop below 11 inches W.C (water column) on high fire.
9. 110V supply disconnected or heating element not functioning.
10. Burner damaged. Replace.
11. Odours and fumes
 - Dislocated burner
 - Damaged burner
 - Dirty orifice
 - Dirty flue tube – CHAPTER 4.

Suggested Spare Parts

The following is a list of commonly used parts which are available:

- Burner orifice
- Burner
- Electrode
- Thermocouple
- Baffle

Contact your dealer or an authorized service center for parts and repairs as needed. Quote Model & Serial # - See CSA rating/serial plate at the side of your freezer.

Food Storage Ideas

FROZEN FOOD STORAGE

- The freezer compartment should be kept at 8.6°F (-13°C) at a 77°F (25°C) room ambient
- A freezer operates most efficiently when it is slowly loaded to 2/3 full.

PACKAGING FOODS FOR FREEZING

- To minimize dehydration and quality deterioration, use aluminium foil, freezer wrap, freezer bags or airtight containers.
- Force as much air out of the packages as possible and seal them tightly. Trapped air can cause food to dry out, change color, and develop an off-flavor (freezer burn).
- Wrap fresh meats and poultry with suitable freezer wrap prior to freezing.
- Do not refreeze meat that has thawed.

LOADING THE FREEZER

- Avoid adding too much warm food into the freezer at one time. This overloads the freezer, slows the rate of freezing, and will raise the temperature of frozen foods.
- Leave a space between the packages, so cold air can circulate freely, allowing food to freeze as quickly as possible.

Care and Cleaning

Keep your freezer clean to prevent odor build-up. Wipe up any spills immediately and clean both sections at least twice a year. **Never** use metallic scouring pads, brushes, abrasive cleaners or strong alkaline solutions on any surface. **Do not** wash any removable parts in a dishwasher.

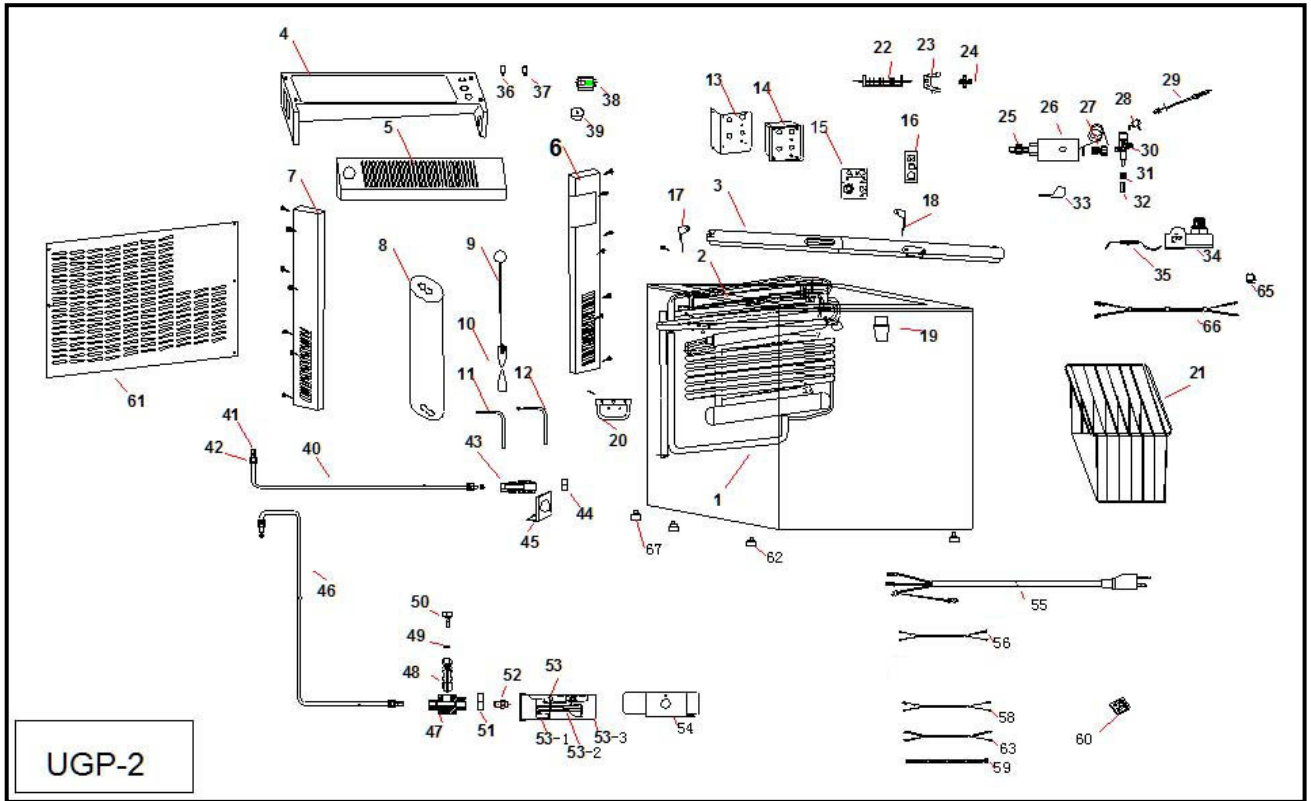
NOTES:

Do not use razor blades or other sharp instruments, which can scratch the appliance surface when removing adhesive labels. Any glue left from tape or labels can be removed with a mixture of warm water and mild detergent, or, touch the glue residue with the sticky side of tape you have already removed. **Do not remove the certification/serial plate.**

Chapter 7

Parts Diagram and List

UNIQUE UGP 2 - EXPLODED DIAGRAM



UNIQUE UGP 2 – Parts List

UNIQUE – UGP 2		
No.	Item	Code
1	UGP 2 Cabinet	N/A
2	Cooling unit	N/A
3	Lid	UGP-DL90000015
4	Heat-sink holder	UGP-DL07001057
5	Heat-sink cover	UGP-DL07001123
6	Left heat-Sink	UGP-DL07001143
7	Right heat-Sink	UGP-DL07001156
8	Insulation cover	UGP-DL10001273
9	Baffle holder	UGP-DL10001173
10	Baffle	UGP-DL10001139
11	Heater – 110V	UGP-DL10001454
12	Heater – 12V	UGP-DL00013536
13	Control panel	UGP-DL07001056
14	Control panel holder	UGP-DL07001142
15	Control panel label	UGP-DL07001058
16	Control panel label	UGP-DL07001059
17	Left top hinge	UGP-DL07001044
18	Right top hinge	UGP-DL07001045
19	lock	UGP-DL07001033
20	Handle	UGP-DL07001034
21	Shelf	UGP-DL07001064
22	Rotary switch	UGP-DL10001213
23	Rotary switch holder	UGP-DL10001271
24	Thermostat knob	UGP-DL18301033
25	Thermostat gas inlet connector	UGP-DL10001406
26	Thermostat	UGP-DL10001430
27	Safety valve gas inlet connector	UGP-DL10001115
28	Thermocouple connector	UGP-DL22001180
29	Thermocouple	UGP-DL18301009
30	Safety valve	UGP-DL18301005
31	Spring	UGP-DL18301112
32	Push button	UGP-DL18301034
33	Clip	UGP-DL00009059
34	Battery igniter	UGP-DL18301371
35	Electrode	UGP-DL27501257
36	Indicator lamp	UGP-DL00013598

No.	Item	Code
37	Indicator lamp	UGP-DL10001299
38	Flame indicator	UGP-DL18301013
39	Level	UGP-DL00009368
40	Gas pipe	UGP-DL07001038
41	Sealing ring	UGP-DL10001136
42	Nut	UGP-DL10001407
43	Inlet nipple	UGP-DL10001506
44	Nut for gas inlet nipple	UGP-DL00003077
45	Inlet nipple holder	UGP-DL07001080
46	Burner gas pipe	UGP-DL07001037
47	Check point body	UGP-DL10001498
48	Check point connector	UGP-DL10001501
49	Washer	UGP-DL00009306
50	Check point plug	UGP-DL22501206
51	Nut for jet	UGP-DL10001474
52	Jet	UGP-DL10001471
53	Burner assembly	UGP-DL10001496
53-1	Burner holder	UGP-DL10001476
53-2	Burner box	UGP-DL22502507
53-3	Burner	UGP-DL10001142
54	Draught shield	UGP-DL22502508
55	Power cord	UGP-DL10001252
56	Connection wire	UGP-DL27501292
58	Connection wire	UGP-DL10001329
59	Connection wire	UGP-DL07001127
60	12V terminal block	UGP-DL00013792
61	Back gridiron board	UGP-DL07001060
62	Foot	UGP-DL00010053
63	Connection wire	UGP-DL10001350
64	Reducing valve	UGP-DL00010096
65	Push button switch	UGP-DL07001155
66	Connection wire	UGP-DL07001145
67	Foot	UGP-DL00010053
68	Battery	UGP-DL00013681

Warranty

UNIQUE UGP-2 PROPANE FREEZER - 3 YEAR LIMITED WARRANTY

Unique Gas Products Ltd. warrants that this UNIQUE UGP 2 freezer is free from defects in material and workmanship under normal usage and service under the following terms:

1. This Warranty is made only to the first purchaser ("original purchaser") who acquires this freezer for his/her own use and will be honored by **Unique Gas Products Ltd.** and by the Seller.
2. Any part of this freezer returned to the Seller or **Unique Gas Products Ltd.**, which upon examination is determined by them to have been defective in material or workmanship, will at their option be either repaired or replaced under this warranty, without charge for materials/parts. (customer is responsible for labour)
3. The obligation to repair or replace defective parts will apply only to parts returned within one year of the date of purchase and will constitute the Sellers sole obligation under this Warranty.

The Seller will have no obligation under this warranty with respect to conditions unrelated to the material or workmanship of this freezer. Such unrelated conditions include without limitation:

- a) faulty installation (or venting) and damage resulting therefrom; not installed by Seller
- b) the need for normal maintenance of this freezer (including the cleaning of the Burner, Venturi, Orifice, Flue tubes and assurance of proper propane gas pressure);
- c) any accidents to or misuse of any part of this freezer and any alteration thereof by anyone other than the Seller or its authorized representative.

This UNIQUE UGP 2 freezer **must** be serviced regularly as outlined in the Owner's Manual. **Unique Gas Products Ltd.** and the seller will not be liable for direct or indirect loss of foods caused by failure in operation. In case of failure, the owner must provide proof of purchase, Model, and Serial Number to the Seller or **Unique Gas Products Ltd.**

***Due to remote locations, it is the customer's responsibility to bring items to dealer for review.**

**Please fill out warranty card within 30 days and mail
back for warranty coverage**

2245 Wycroft Road #5
Oakville, Ontario, Canada, L6L 5L7
Toll Free: 1-877-427-2266
www.UniqueOffGrid.com

Ph: 905-827-6154 Fax: 905-827-2027