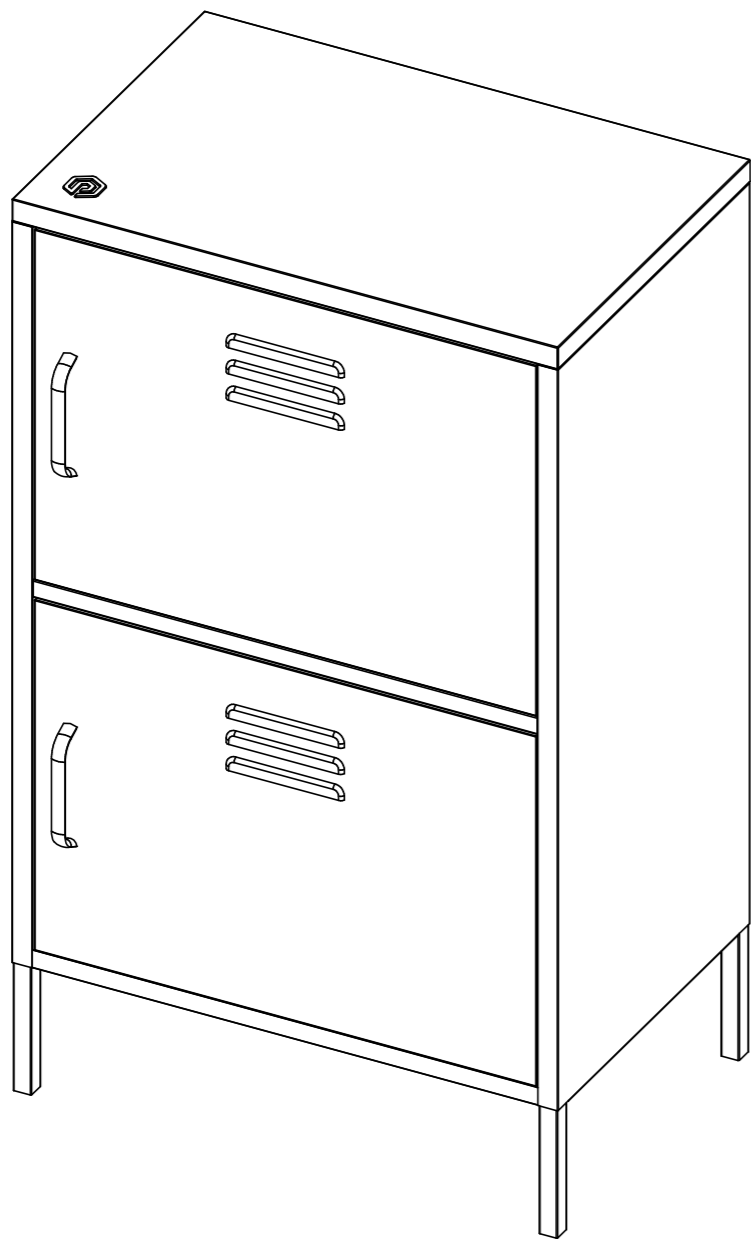


ASSEMBLY INSTRUCTIONS



## TOP DECK CABINET



CODE | **L1B2A**

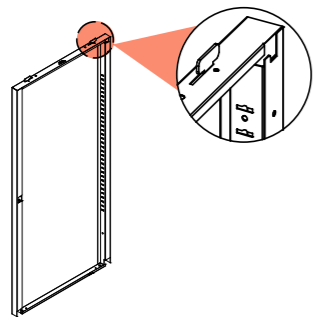


FOR DETAILED ASSEMBLY VIDEOS,  
SEARCH POPSTRUKT ON YOUTUBE

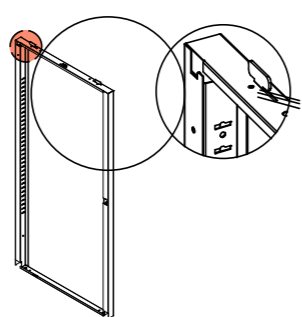


## WARNING

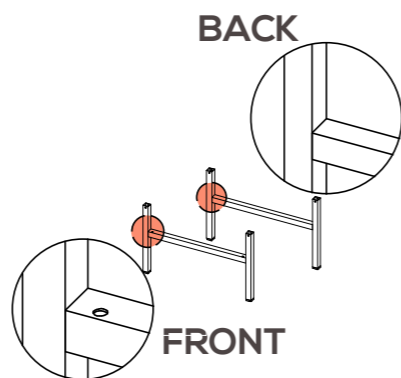
SERIOUS OR FATAL CRUSHING INJURIES CAN OCCUR FROM FURNITURE TIP-OVER. TO PREVENT THIS FURNITURE FROM TIPPING OVER IT MUST BE PERMANENTLY FIXED TO THE WALL. BASIC FIXING DEVICES FOR BRICK WALLS ARE INCLUDED. HOWEVER SINCE DIFFERENT WALL MATERIALS REQUIRE DIFFERENT TYPES OF FIXING DEVICES USE FIXING DEVICES SUITABLE FOR THE WALLS IN YOUR HOME. FOR ADVICE ON SUITABLE FIXING SYSTEMS, CONTACT YOUR LOCAL SPECIALIZED HARDWARE DEALER



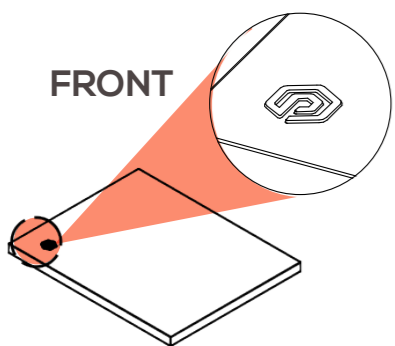
LEFT SIDE PLATE:  
1PC



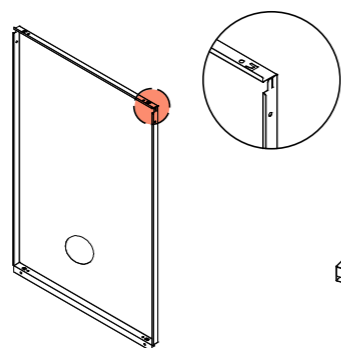
RIGHT SIDE PLATE:  
1PC



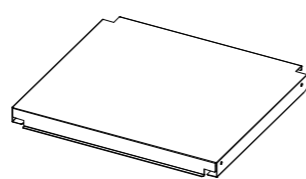
FRONT AND BACK BASE:  
2PCS



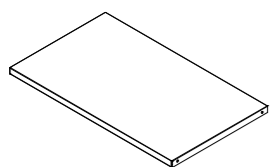
TOP PLATE:  
1PC



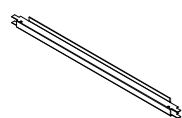
BACK PLATE:  
1PC



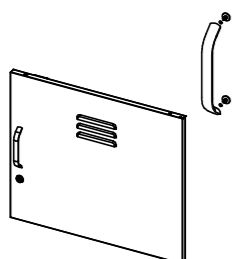
BOTTOM PLATE:  
1PC



SHELF:  
3PCS



MIDDLE FRAME:  
1PC



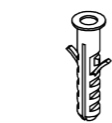
DOOR:  
2PCS



TAIL SCREW(4\*10):  
5PCS



ROPE TAPE:  
1PC



EXPANSION PIPE  
(8\*40):  
1PC



DOOR SPINE:  
2PCS



SCREW FOR  
HANDLE:  
4PCS



SELF-TAPPING  
SCREW (5\*40):  
1PC



DOOR PIVOT:  
2PCS



KEYS WITH  
KEYRING:  
2PCS



SELF TAPPING  
SCREW (5\*10):  
1PC



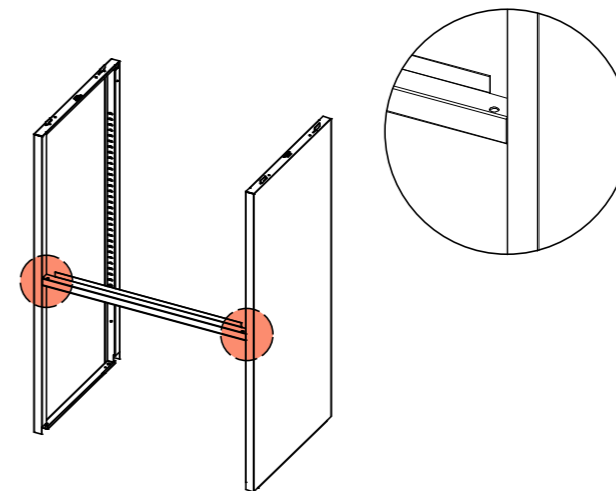
HANDLE:  
2PCS



SHELF HOLDERT:  
12PCS

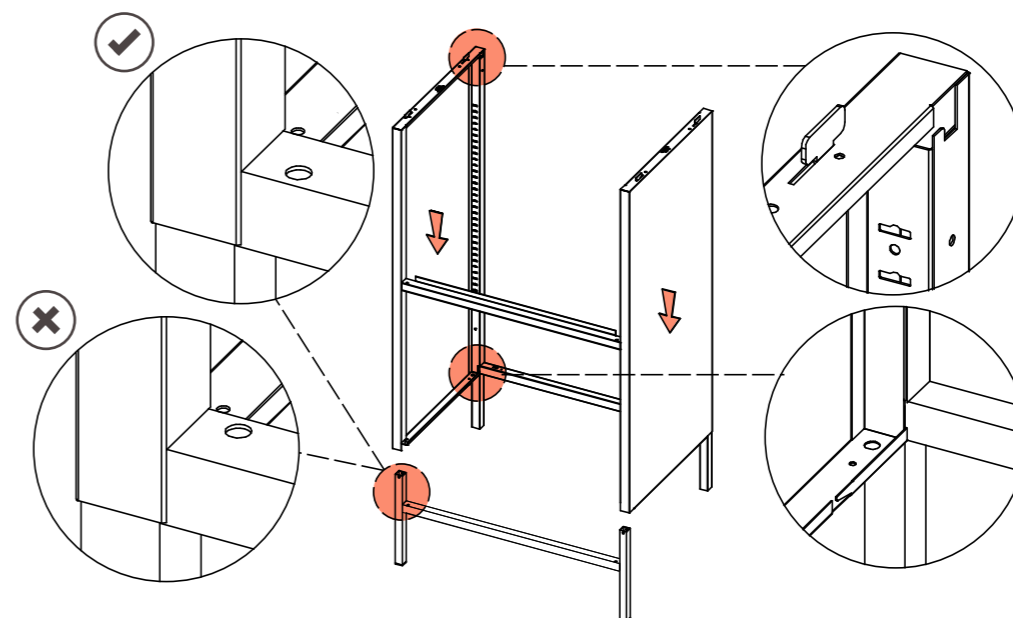
## STEP 1

CONNECT THE MIDDLE FRAME WITH SIDE PANELS.



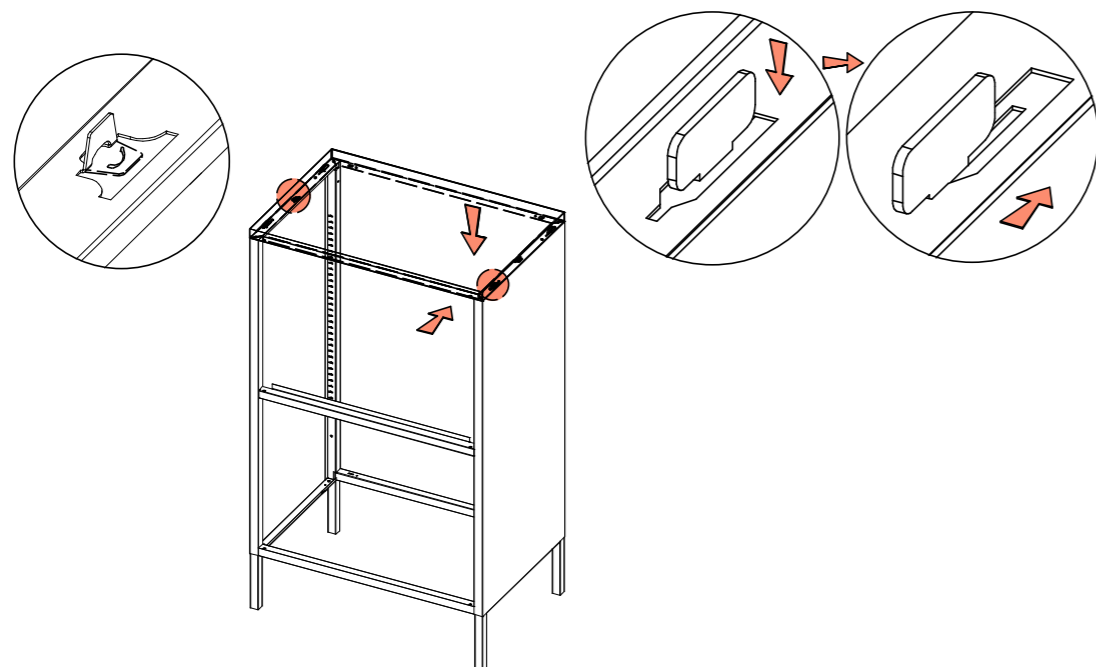
## STEP 2

CONNECT THE LEFT AND RIGHT SIDE PLATES WITH FRONT AND BACK BASE .



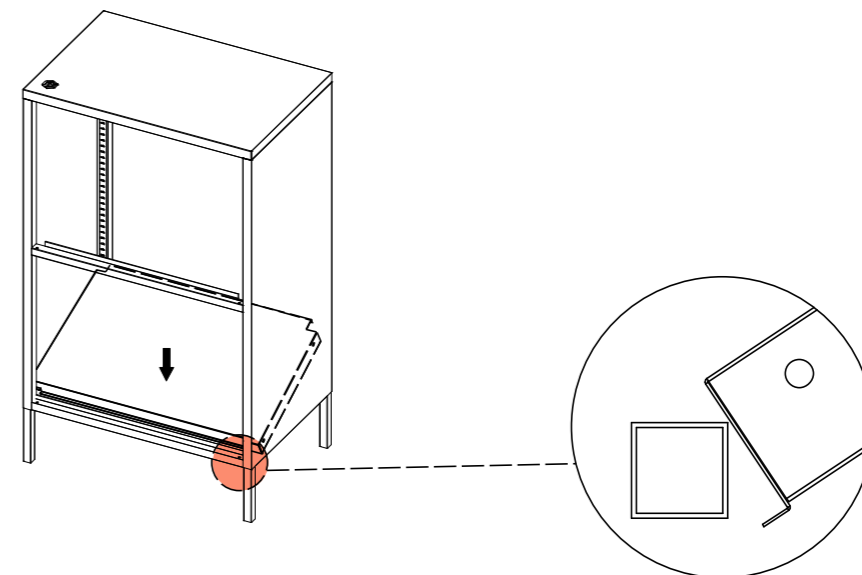
### STEP 3

INSTALL THE TOP PLATE BY TAIL SCREWS.



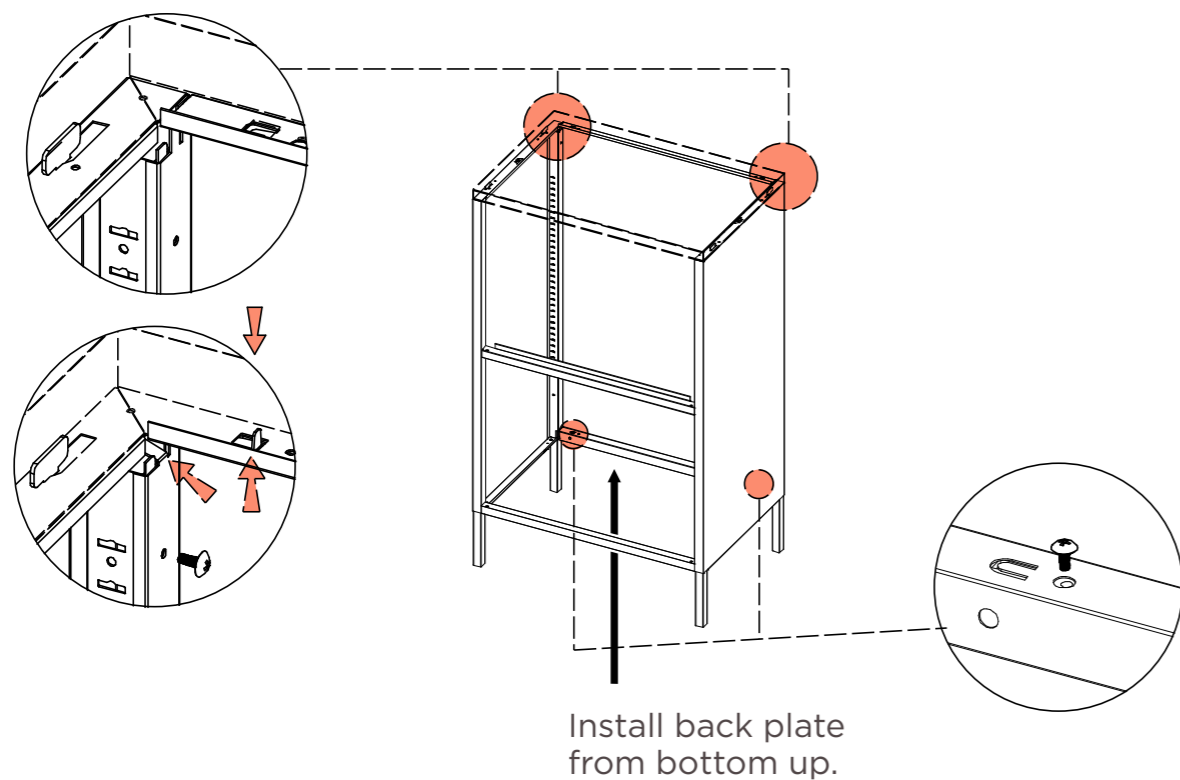
### STEP 5

INSTALL THE BOTTOM PLATE.



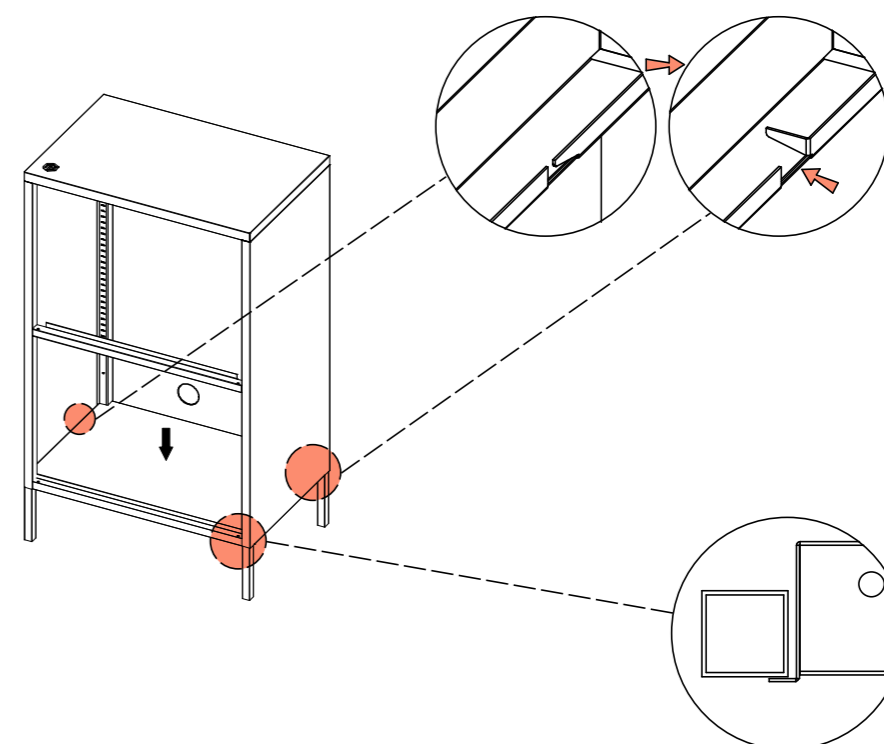
### STEP 4

INSTALL THE BACK PLATE WITH TAIL SCREWS.



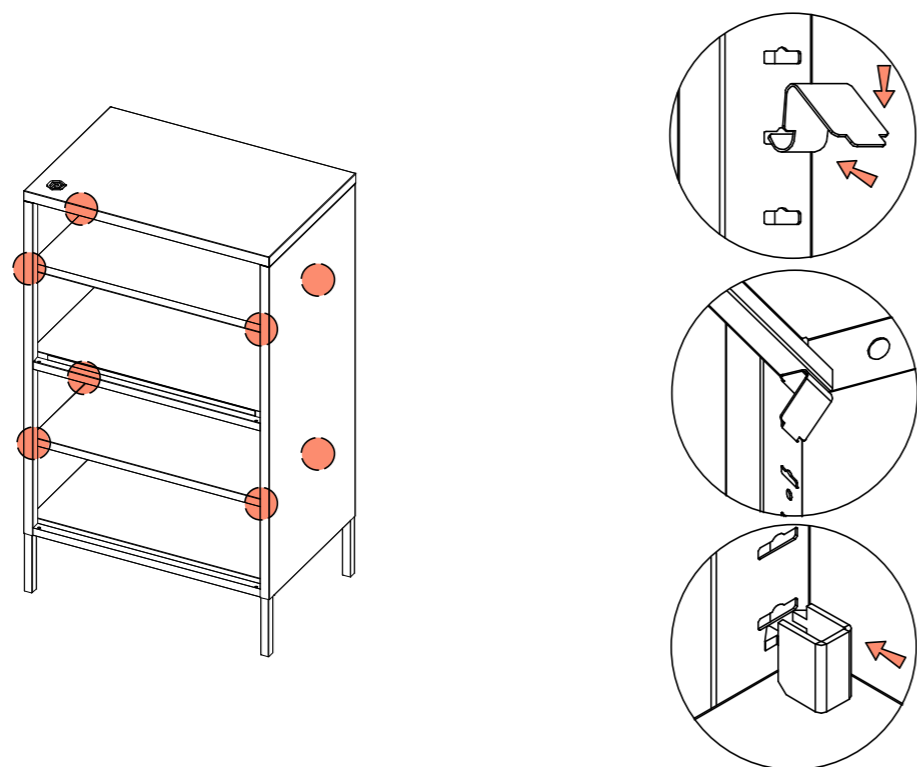
### STEP 6

FIX THE BOTTOM PLATE WITH THE BUCKLE OF BOTTOM SIDE PLATE.



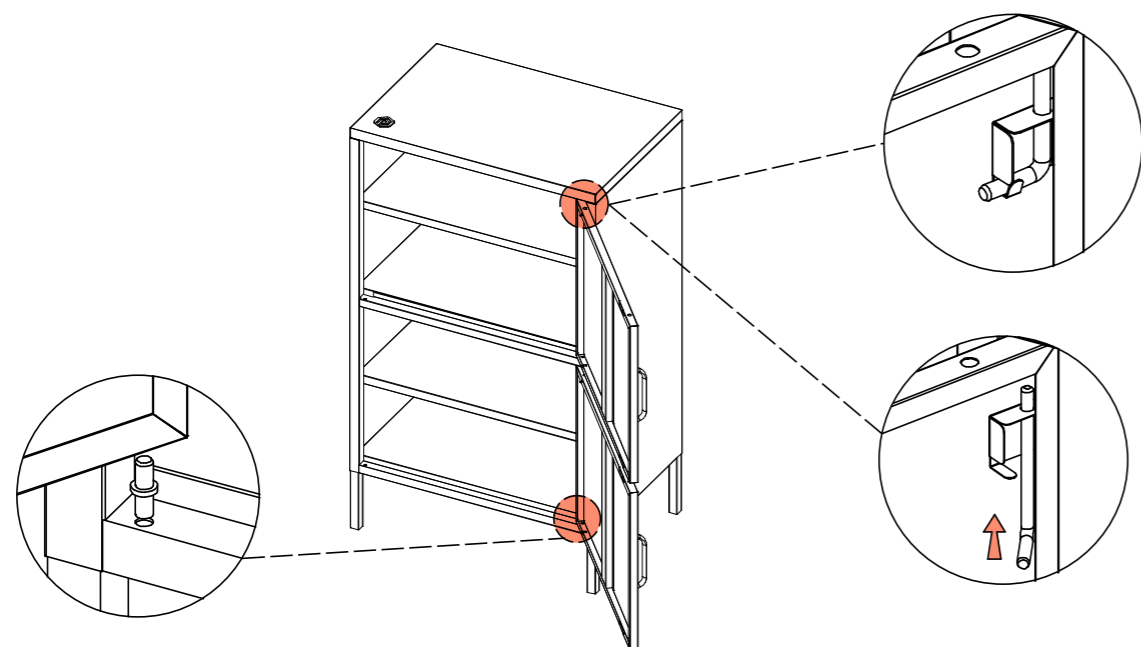
## STEP 7

INSTALL THE SHELF.



## STEP 8

INSTALL THE DOOR AND ADJUST EACH PART TO FIT WELL AFTER INSTALLATION.

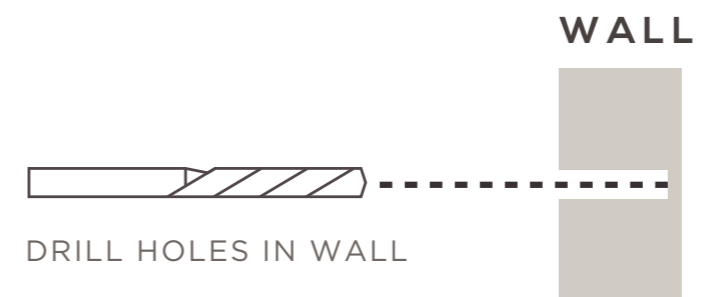


## STEP 9

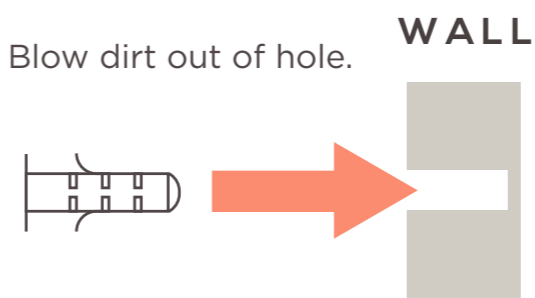
FIX TO WALL

### STEP 1

INSERT WALL PLUG INTO THE WALL USING A DRILL.

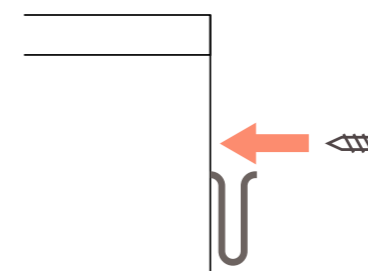


**TIP:** Blow dirt out of hole.



### STEP 2

FIX THE MATERIAL STRIP TO THE BACK OF UNIT USING SCREW.



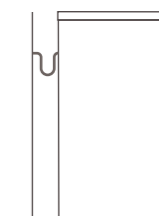
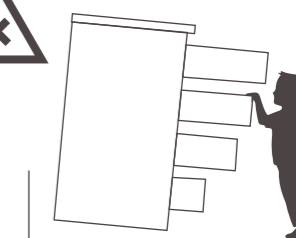
### STEP 3

FIX THE UNIT TO THE WALL VIA MATERIAL STRIP.



### WARNING

SERIOUS OR FATAL CRUSHING INJURIES CAN OCCUR FROM FURNITURE TIP-OVER. TO PREVENT THIS FURNITURE FROM TIPPING OVER IT MUST BE PERMANENTLY FIXED TO THE WALL. BASIC FIXING DEVICES FOR BRICK WALLS ARE INCLUDED. HOWEVER SINCE DIFFERENT WALL MATERIALS REQUIRE DIFFERENT TYPES OF FIXING DEVICES USE FIXING DEVICES SUITABLE FOR THE WALLS IN YOUR HOME. FOR ADVICE ON SUITABLE FIXING SYSTEMS, CONTACT YOUR LOCAL SPECIALIZED HARDWARE DEALER.



SEE "HOW TO" SECTION ON POPSTRUKT YOUTUBE PAGE FOR PRODUCT ADJUSTMENT TIPS.

# Finish en klaar.

## NEED HELP?

Please visit

*[www.popstrukt.com/resources](http://www.popstrukt.com/resources)*

for assembly instructions & product care tips.

## TAG US

Tag us on Instagram

*@POPSTRUKT.FURNITURE*

and show us your assembly journey.



POPSTRUKT FURNITURE



@POPSTRUKT.FURNITURE



POPSTRUKT FURNITURE