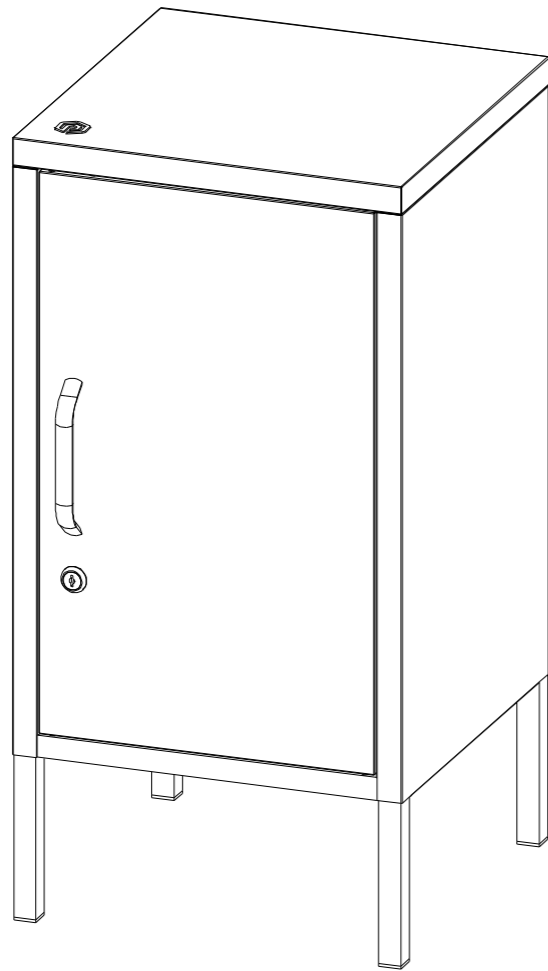


ASSEMBLY INSTRUCTIONS



SUGAR CUBE BEDSIDE TABLE



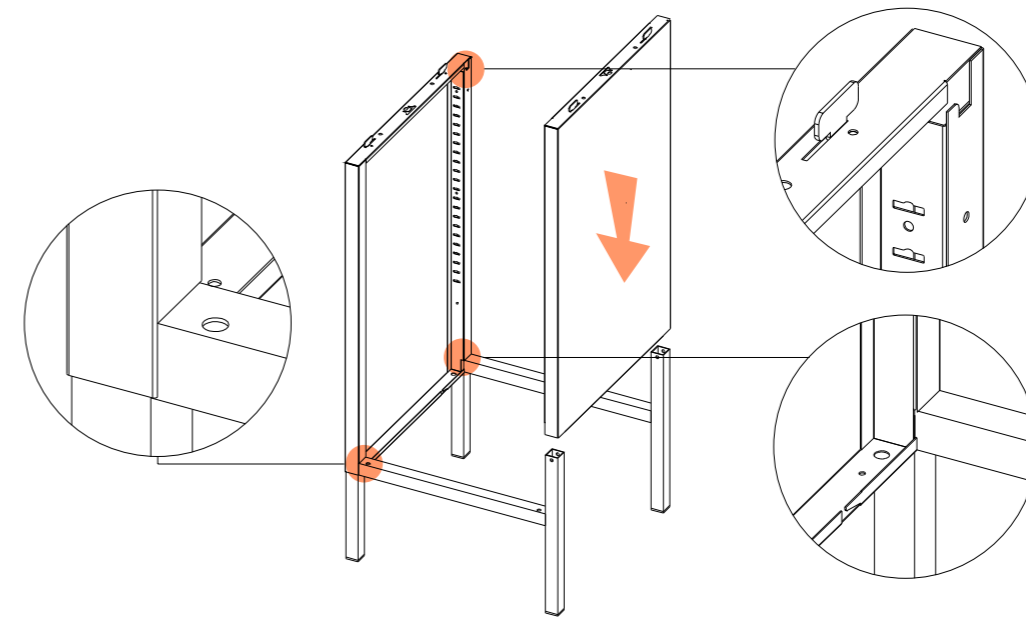
CODE | **C21A**



FOR DETAILED ASSEMBLY VIDEOS,
SEARCH POPSTRUKT ON YOUTUBE

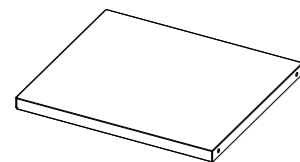
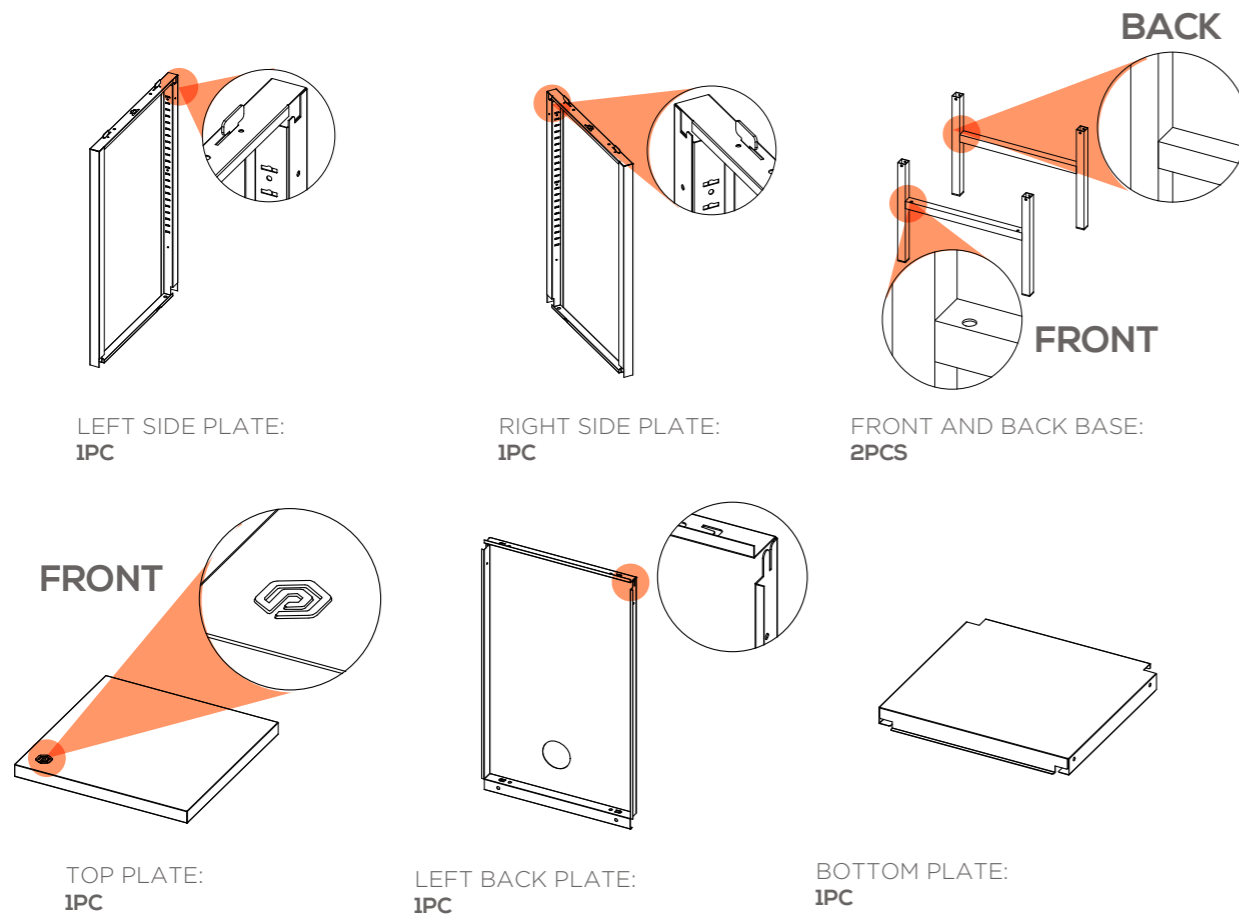
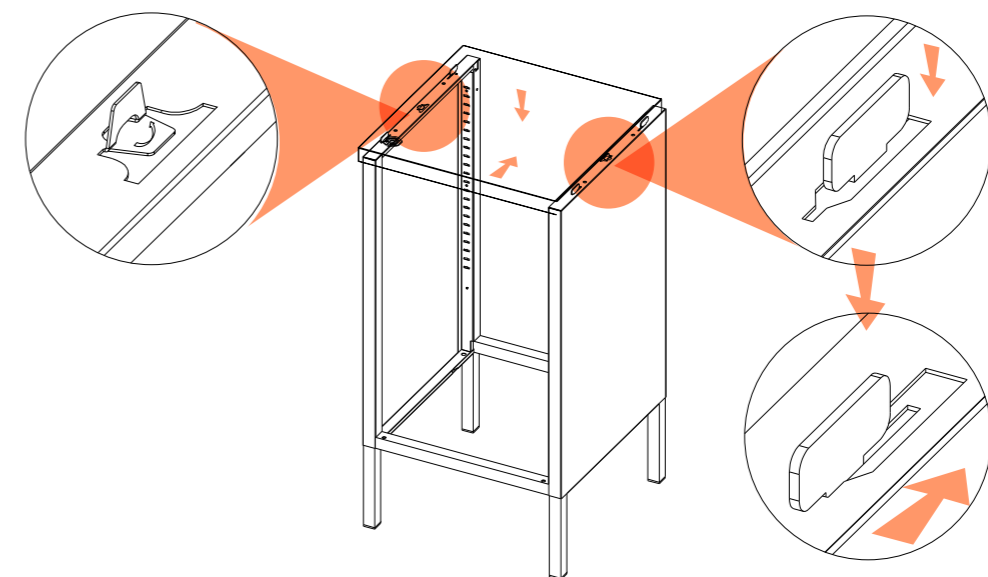
STEP 1

CONNECT THE LEFT AND RIGHT SIDE PLATES WITH FRONT AND BACK BASE.

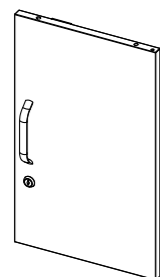


STEP 2

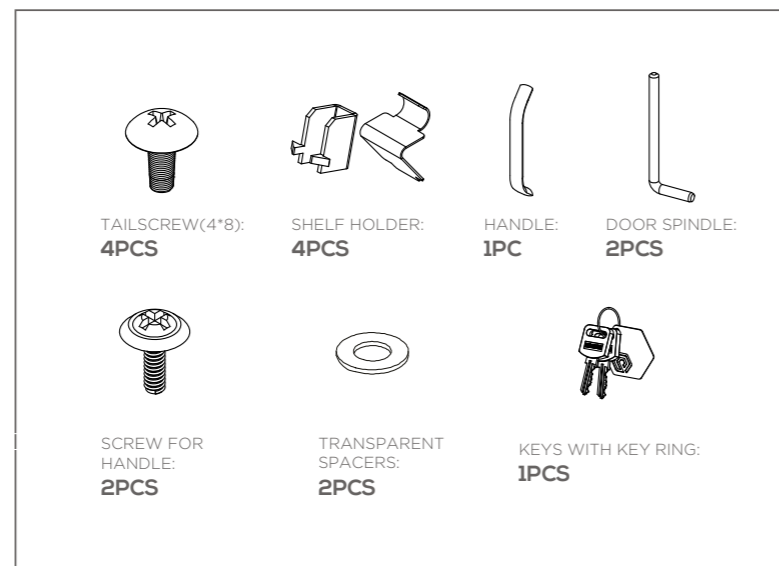
PUT THE TOP PLATE ONTO THE LEFT AND RIGHT SIDE PLATES



SHELF:
1PC

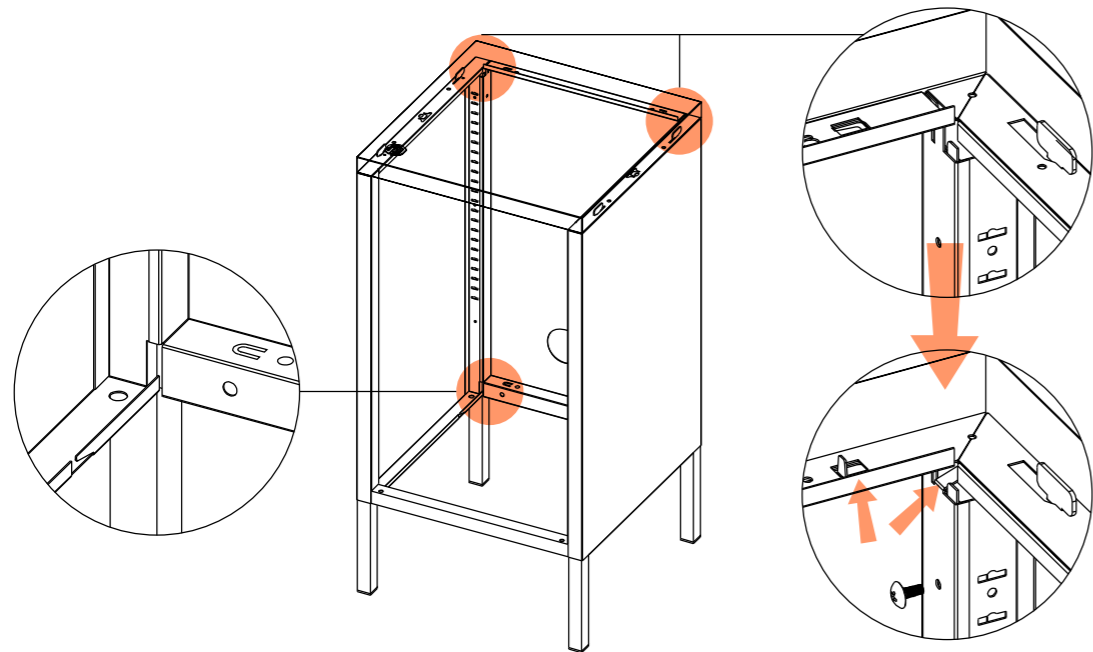


DOOR:
1PCS



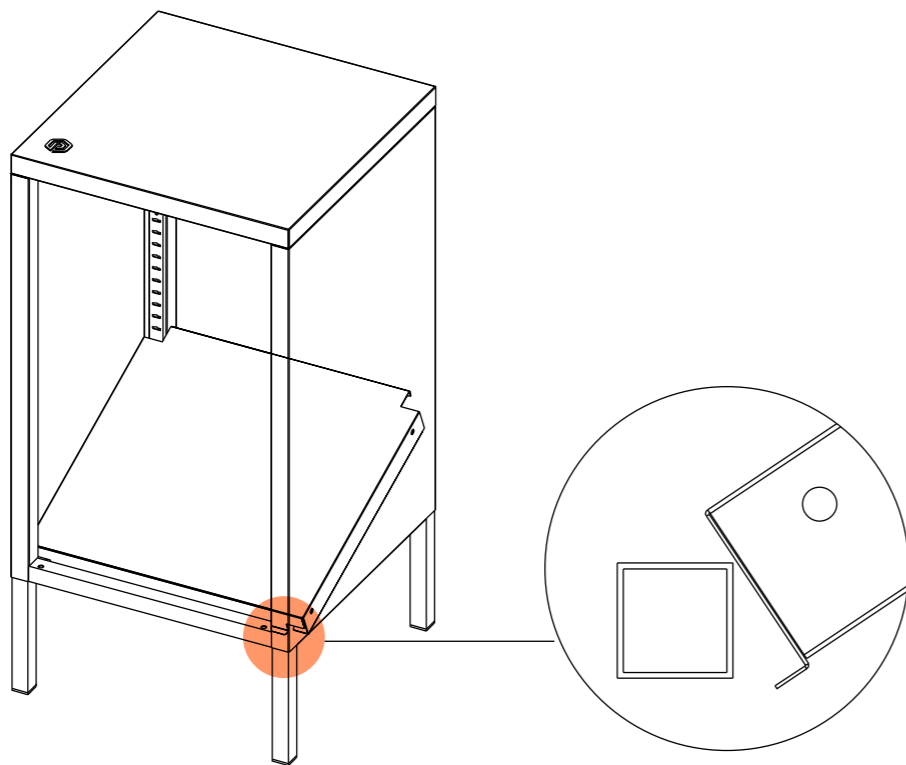
STEP 3

INSTALL THE BACK PLATE BY TAIL SCREWS.



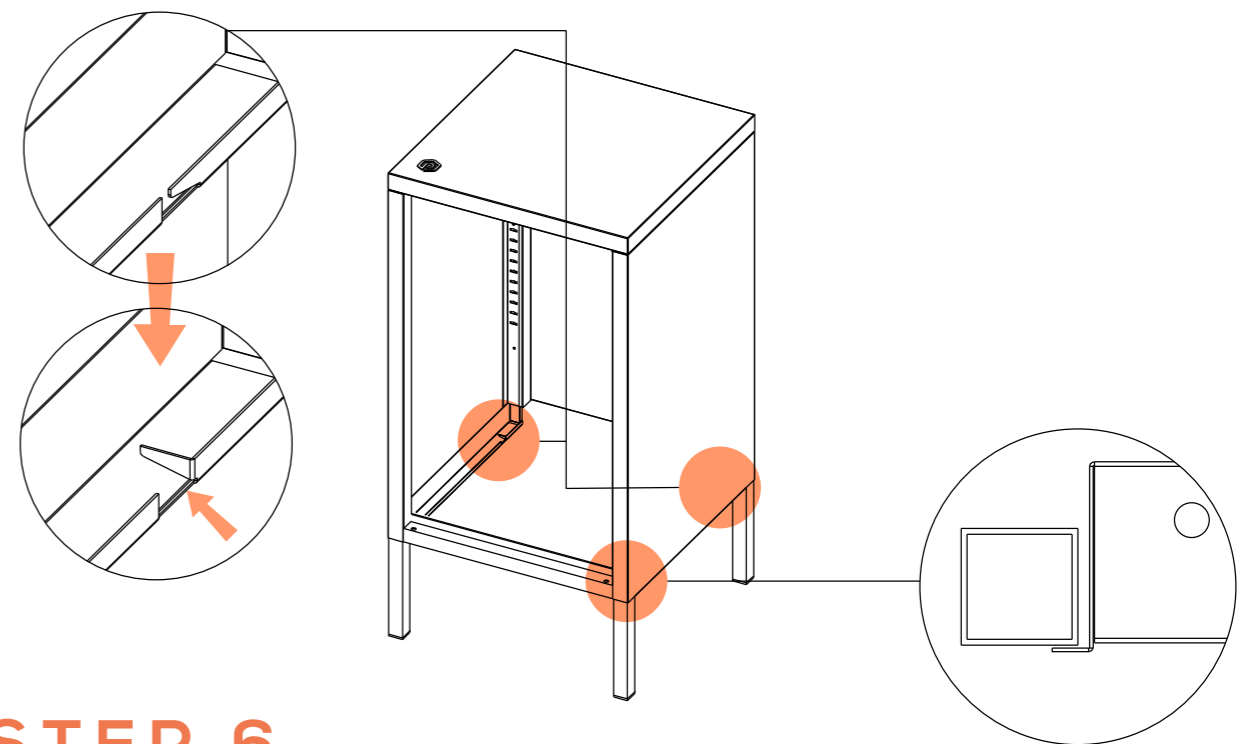
STEP 4

INSTALL THE BOTTOM PLATE.



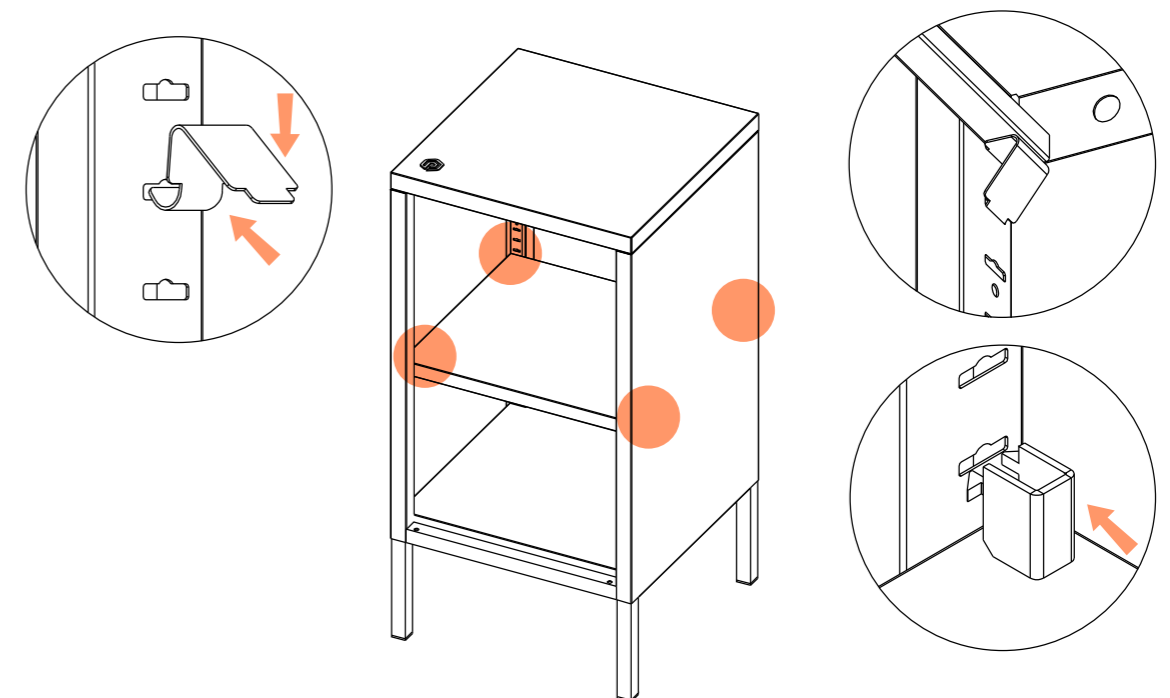
STEP 5

FIX THE BOTTOM PLATE WITH THE BUCKLE OF THE BOTTOM SIDE PLATE.



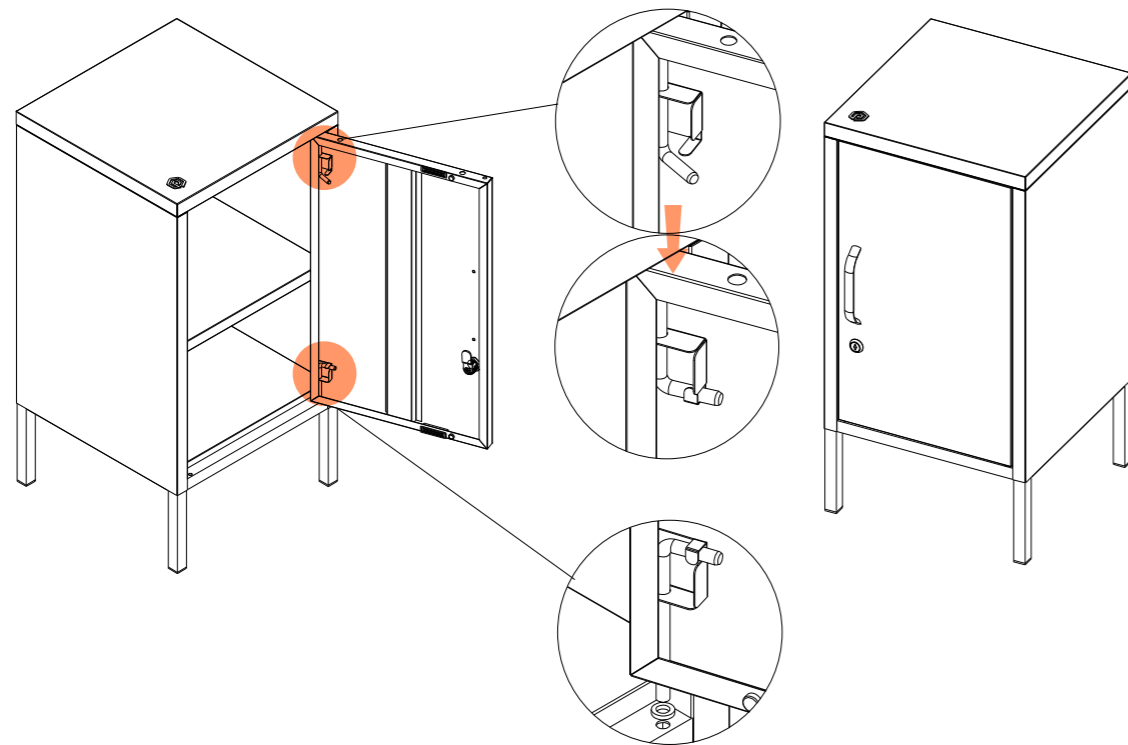
STEP 6

INSTALL TOP SHELF.



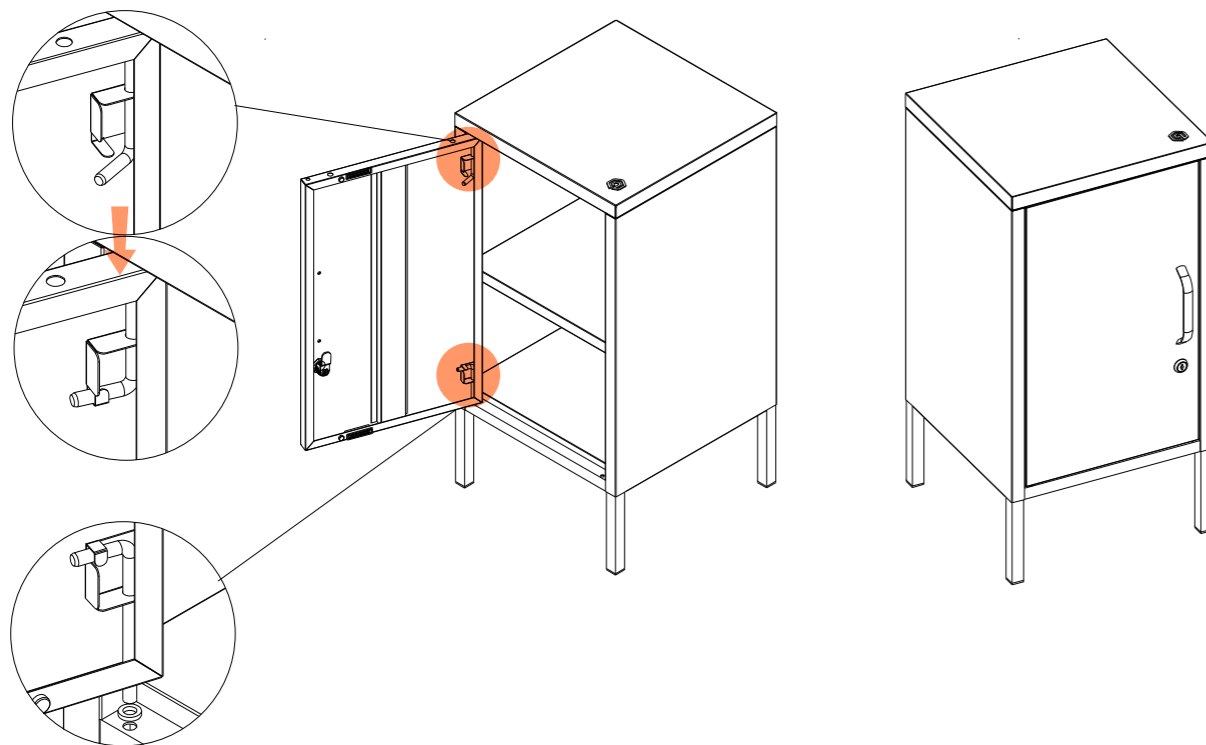
STEP 7

INSTALL THE DOOR WITH DOOR SPINDLES.
(LEFT SIDE OPEN)



STEP 8

INSTALL THE DOOR WITH DOOR SPINDLES.
(RIGHT SIDE OPEN)



Finish en klaar.

NEED HELP?

Please visit

www.popstrukt.com/resources

for assembly instructions & product care tips.

TAG US

Tag us on Instagram

[@POPSTRUKT.FURNITURE](https://www.instagram.com/POPSTRUKT.FURNITURE)

and show us your assembly journey.



POPSTRUKT FURNITURE



@POPSTRUKT.FURNITURE



POPSTRUKT FURNITURE



SEE "HOW TO" SECTION ON POPSTRUKT YOUTUBE PAGE
FOR PRODUCT ADJUSTMENT TIPS.

Please visit www.popstrukt.com/instructions section for more information