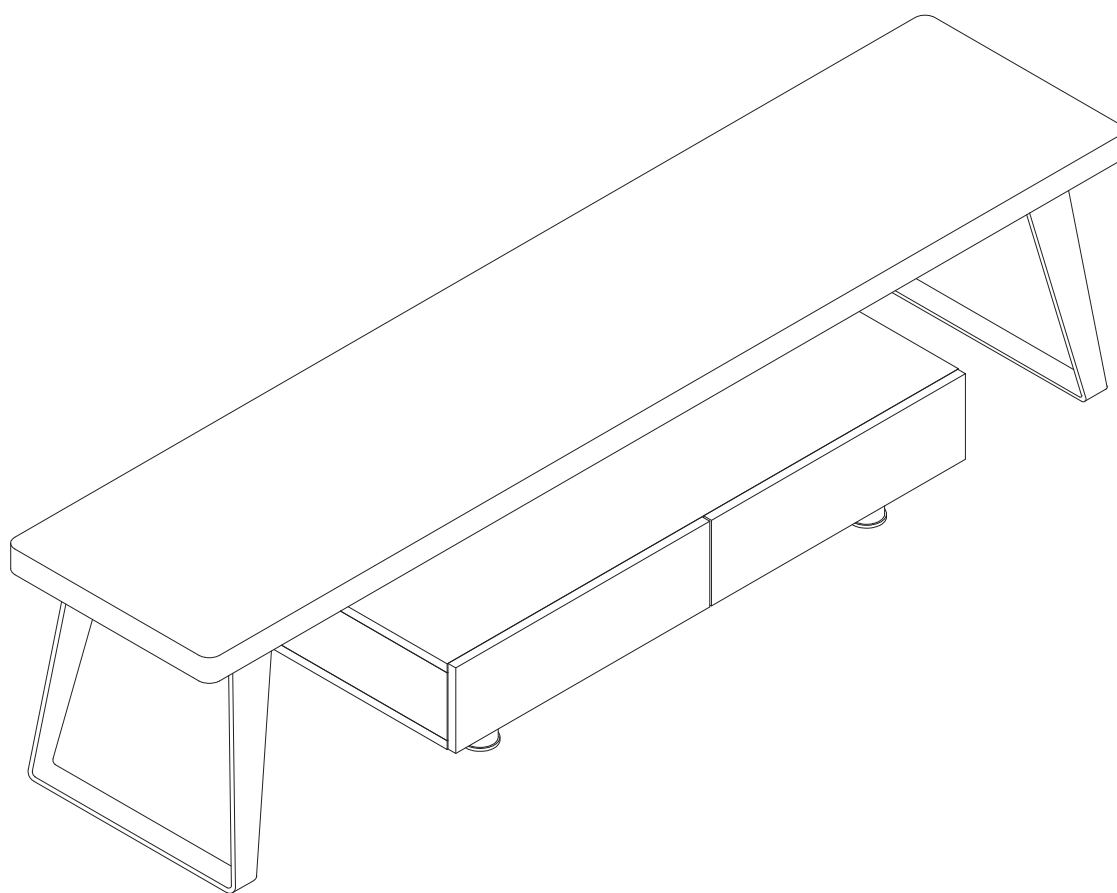



Doppio Media Unit

TV Media Unit



The Basics.

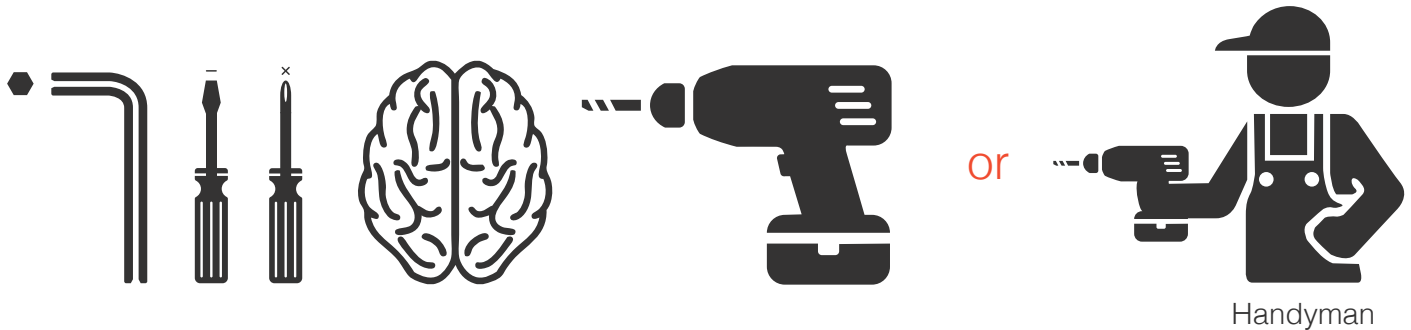
First of all, don't panic, we've got you covered with simple step by step instructions to help you pop-up your new piece painlessly. We know a sack of bolts looks daunting but lets start with the basics.

ASSEMBLY RATING:  ⁵ and  ⁵

ASSEMBLY TIME: 120 minutes

PEOPLE REQUIRED: 

Tools Required



The Process



1 READY TOOLS
HANDYMAN



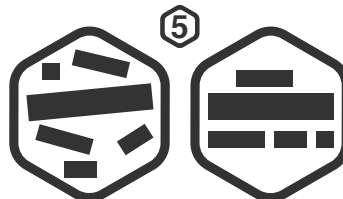
2 **2m²** MAKE SPACE
2m x 2m



3 OPEN
PACKAGE



4 SEPERATE
SCREWS





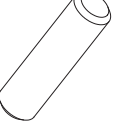

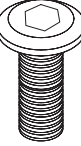
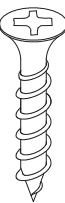
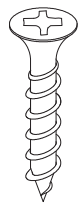
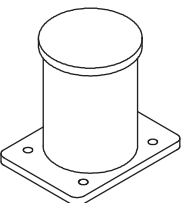
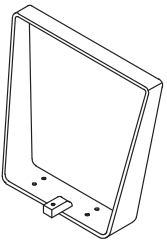
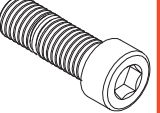
5 LAY OUT PIECES
THEN SORT PIECES
- Do this on a carpet



6 **1 2 3** FOLLOW
INSTRUCTIONS

Overview

The Flat White comes in flatpack. You will have to mount the base, then assemble the shelving, before assembling and installing the drawers followed by the installation of the doors.

Supplied		*Metal screws				
						
AMOUNT	x18	x22	x18	x4	x4	
STEP	2B/3A	2C/3B	2B/3A	2B/3A	4B	
				Share Package		
	15	40				
AMOUNT	x16	x16	x4	x2	x8	
STEP	1	4A	1	5	5	

Contact

If you are really struggling with this build please contact us so that we can get in touch and help resolve the problem with you.

EMAIL: info@popstrukt.com
SUBJECT : Assembly (Send pics if need be)

NOTE

Please keep all the packaging for 14 days, and try not to damage it as you will need it if you want to return the piece. See our Return Policy on our website for further information on returns.

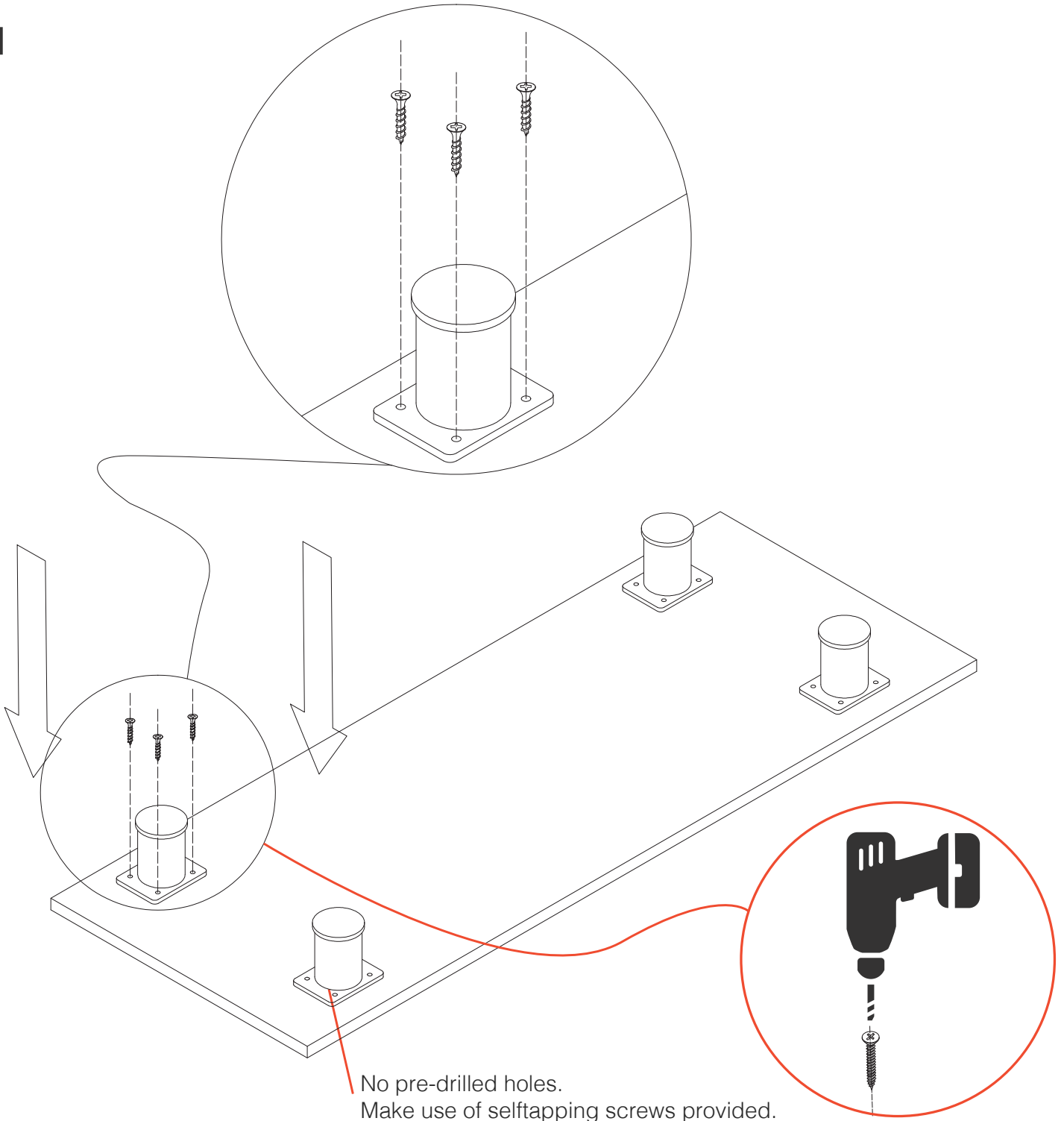


Fix feet to base.
- Do this on a carpet or soft surface.

HARDWARE 1

1A - Place the feet on the bottom side of the lower shelf. Note that the bottom piece and top piece are identical. The existing holes should face away from the face you are mounting onto. You can use a measuring tape or simply eyeball the feet spacing.

1



2

Assemble trunk.
- Insert and tighten fasteners.

HARDWARE 2A - 2C

Remember the pre-fixed rails should be closest to the base.

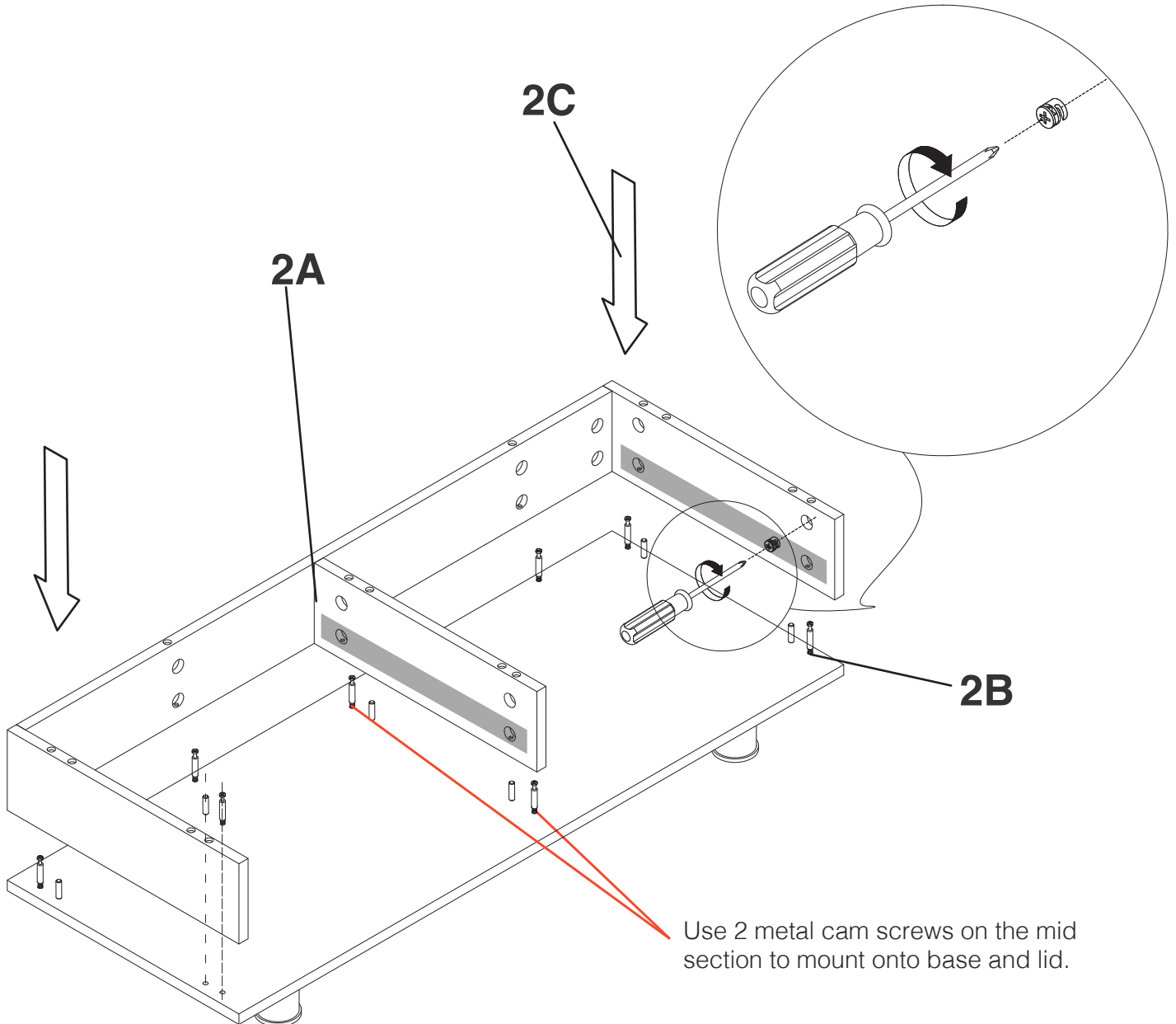
Step 2A - Assemble the mid section first and then place mid section onto base.

Step 2B - Insert cam screws and dowels into base.

Step 2C - Place mid section onto base and interlock the pieces. Remember that some cam screws will be behind the rails, this will not affect the structural integrity of the product.

NOTE: STEP 2B and 3A MAKES USE OF THE 4 METAL CAM SCREWS AS SHOWN

2C



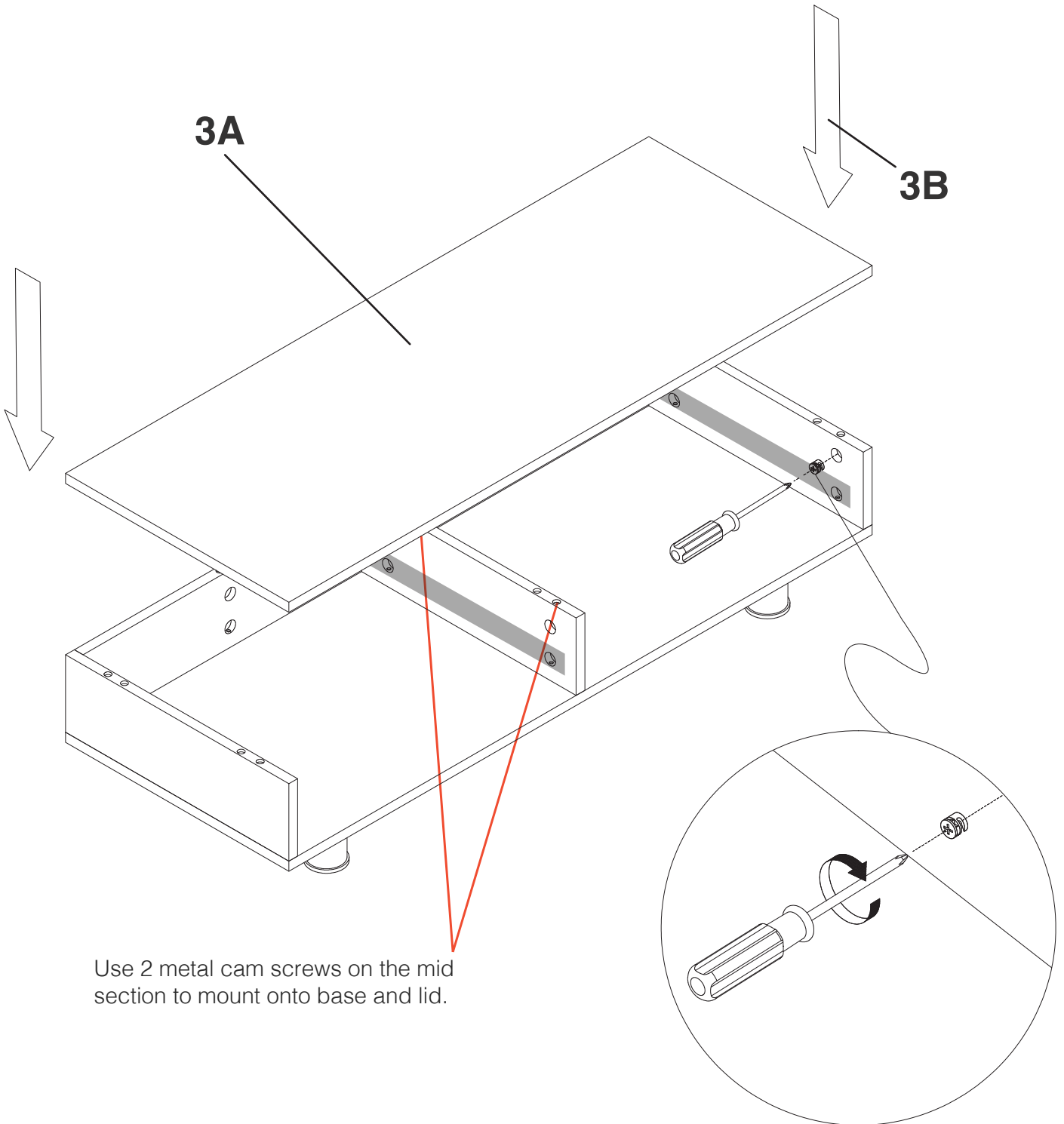
3

Apply lid to Base/Mid Section

HARDWARE 3A + 3B

Step 3A - Insert cam screws and dowels into lid.

Step 3B - Place lid onto mid section and tighten cam screws.



Use 2 metal cam screws on the mid section to mount onto base and lid.

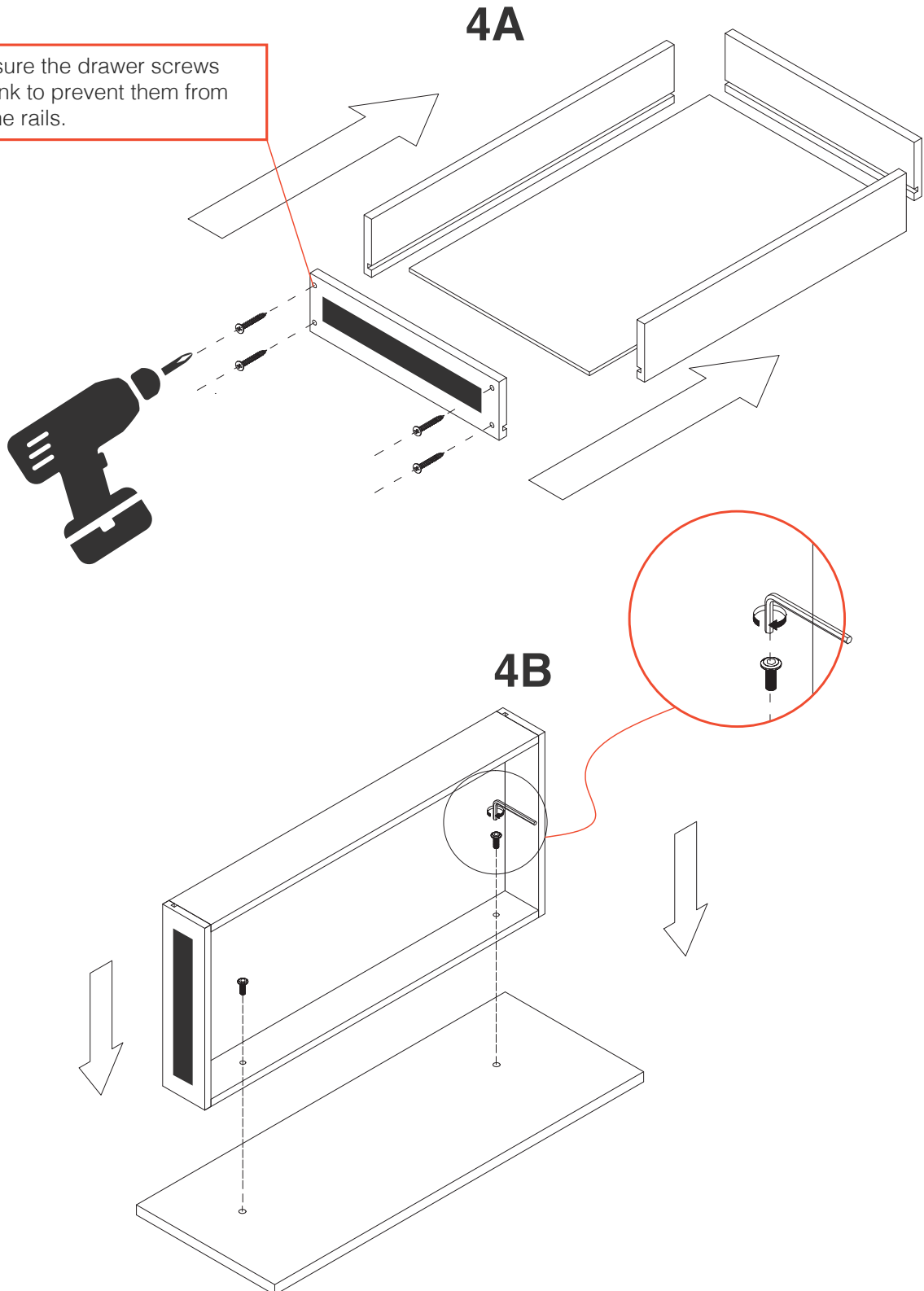
4

Assemble Drawers
- Use of powertool recommended.

HARDWARE 4A + 4B

- 4A - Assemble the drawers one corner at the time by aligning the pre drilled holes. The drawer stopper should face the handle side.
- 4B - Attach handle/front boards. Don't tighten yet as this can be done at the end to adjust position.

NOTE: make sure the drawer screws are countersunk to prevent them from catching on the rails.



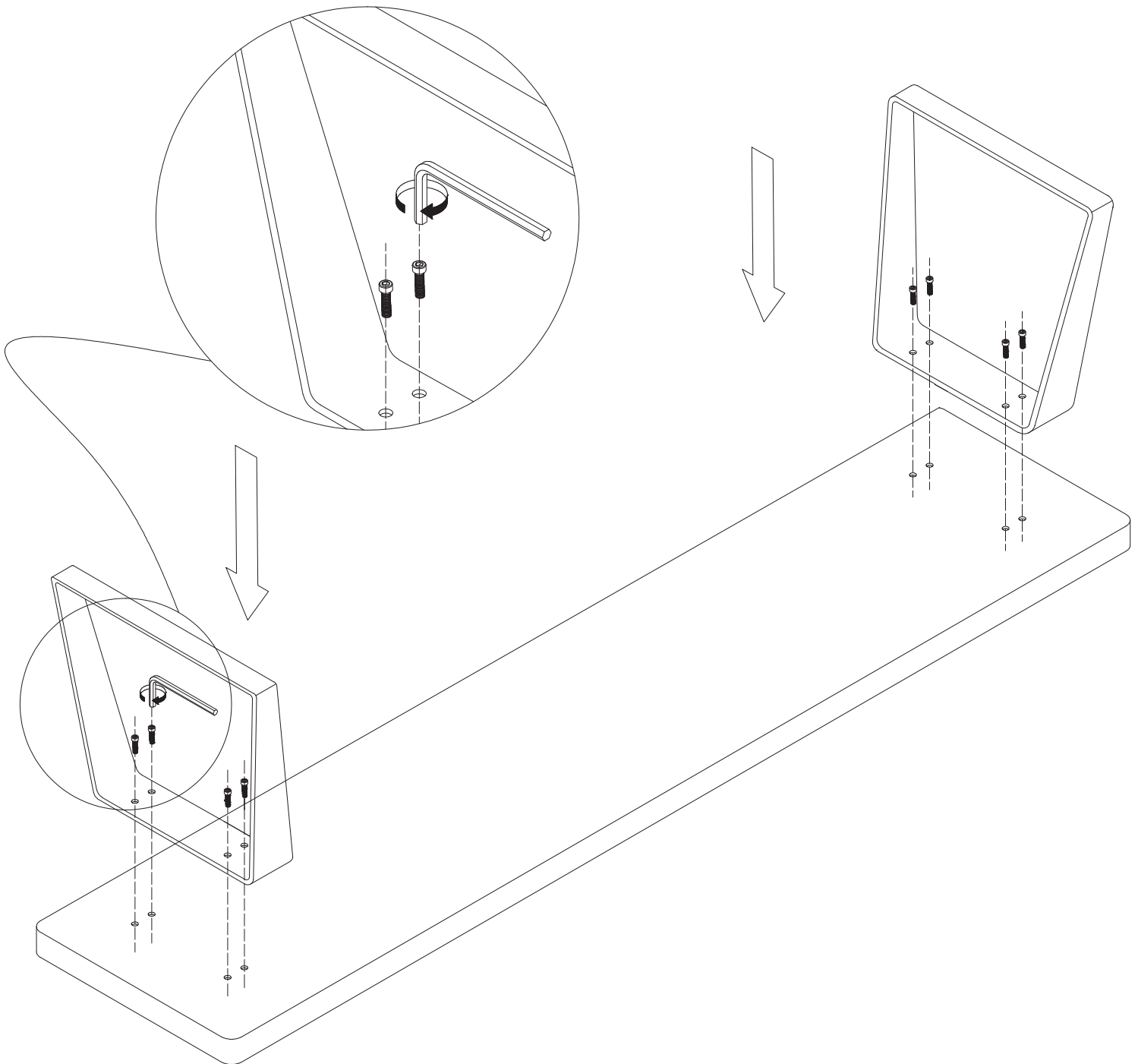


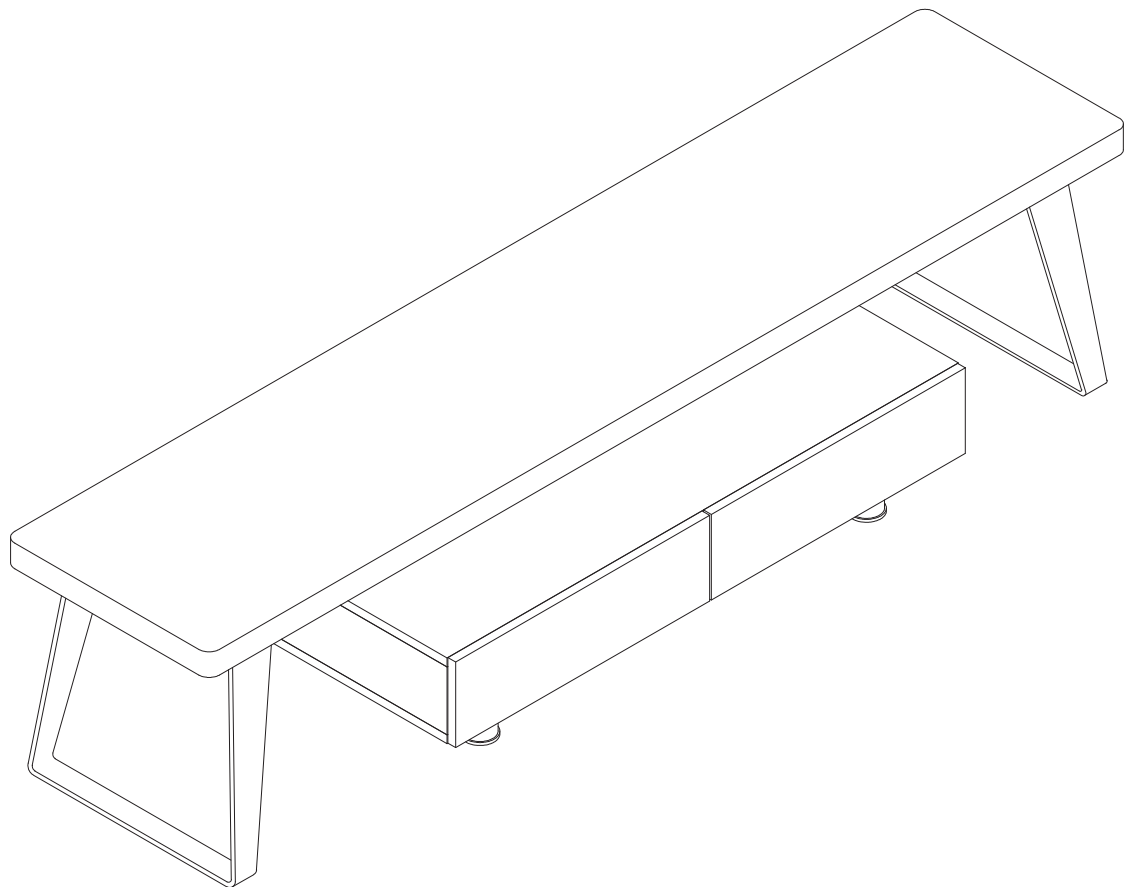
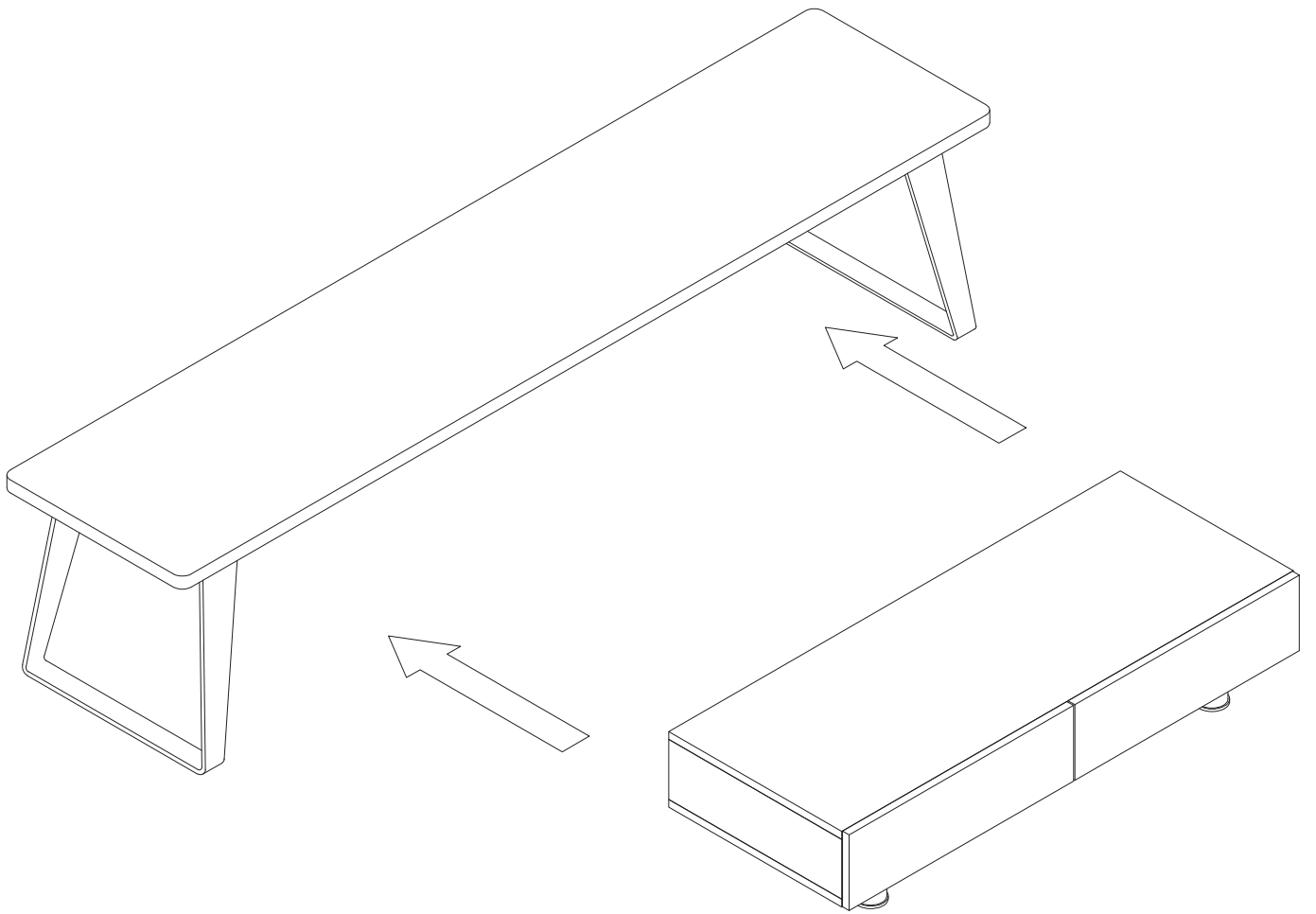
Fix feet to Bench.
- Do this on a carpet or soft surface.

HARDWARE 5

5 - Position the steel feet over the holes provided on bottom of bench. Curve on steel feet should face inward and insert all screws before tightening.

5







YOU'RE ALL DONE, ENJOY!

Share a pic of your new piece with us.



Popstrukt Furniture



@Popstrukt_com



@popstrukt_com



Popstrukt Furniture