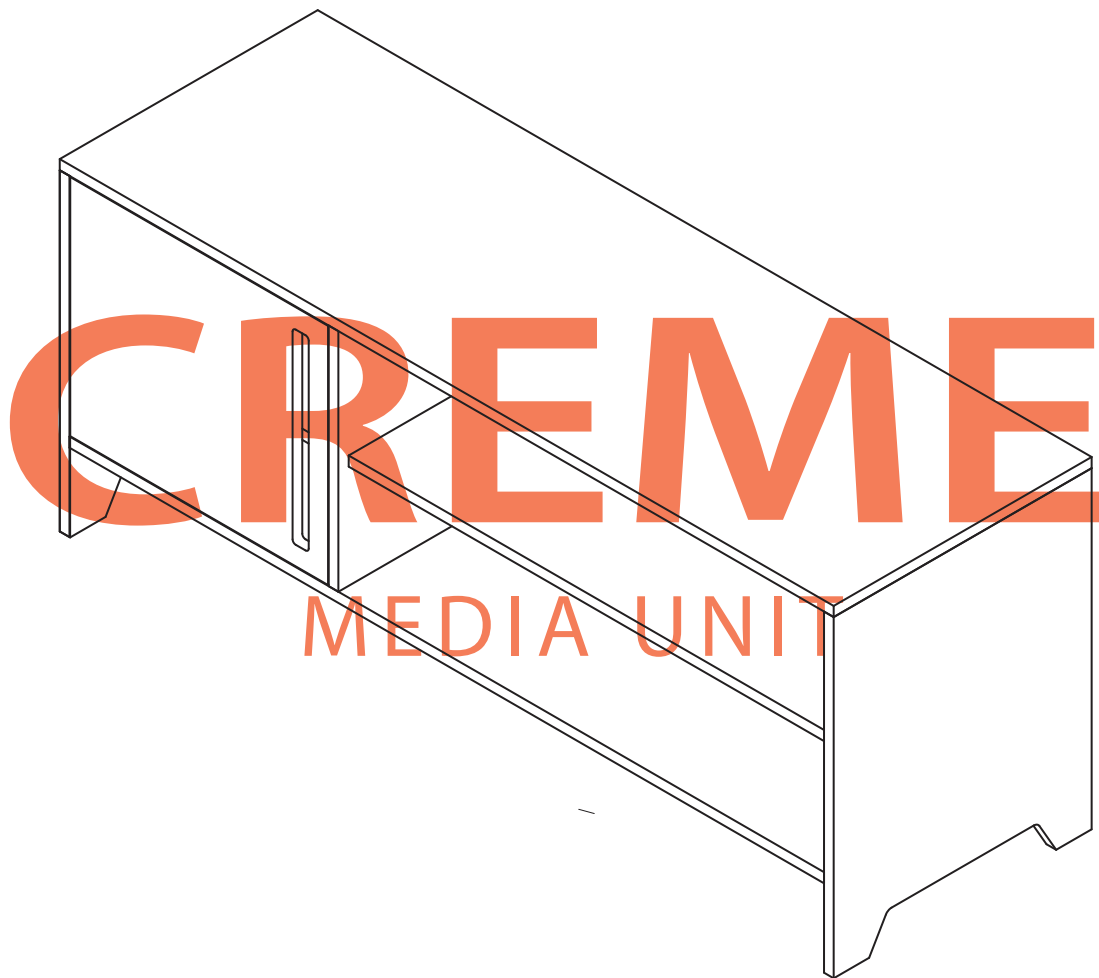
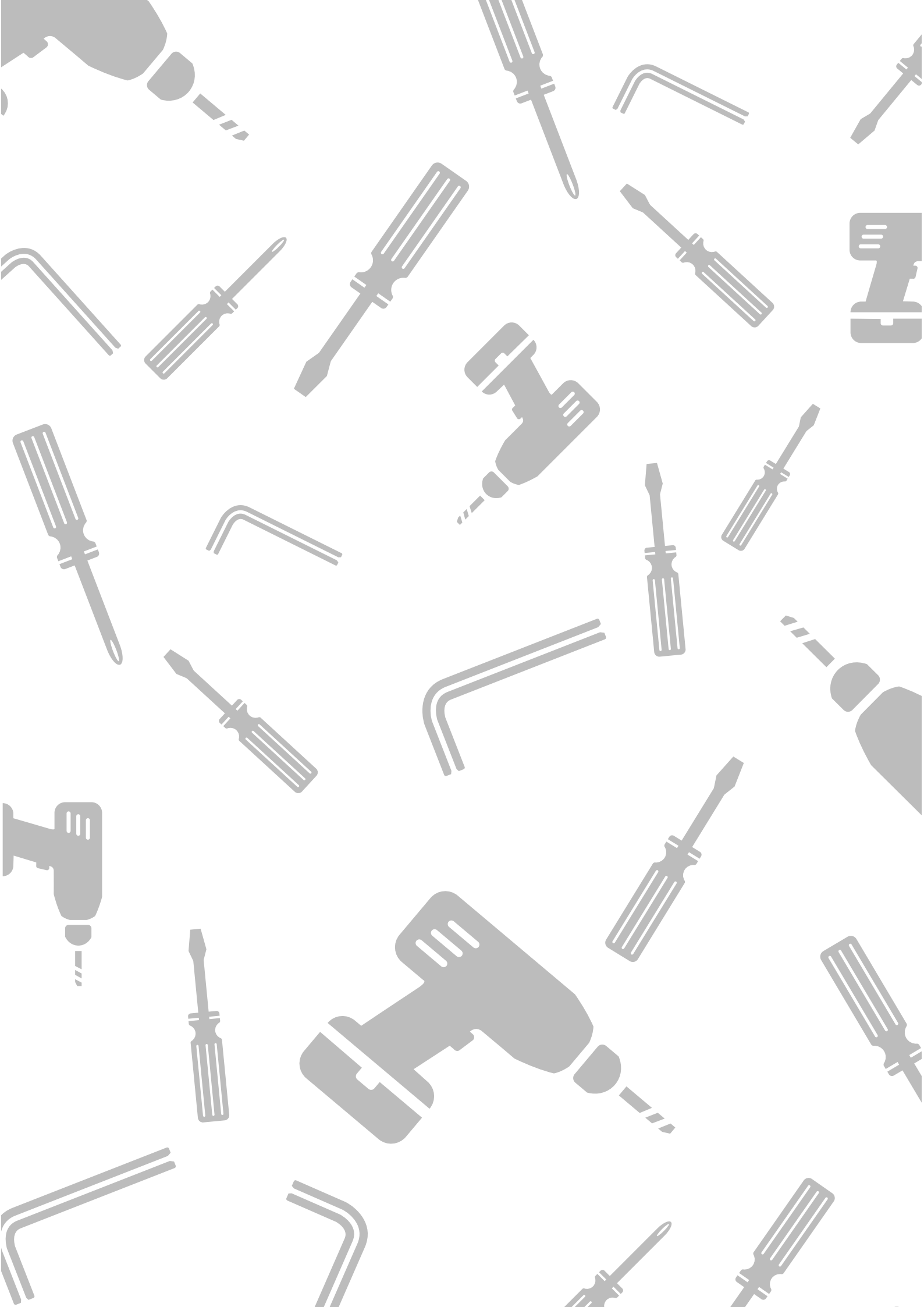


ASSEMBLY INSTRUCTIONS



CODE

PSGW\_CREME\_MU\_W



## THE BASICS

First of all, **don't panic**, we've got you covered with simple step by step instructions to help you pop-up your new piece painlessly. We know a sack of bolts looks daunting but lets start with the basics.

ASSEMBLY RATING:



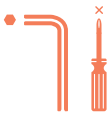
ASSEMBLY TIME:

50 MIN

PEOPLE REQUIRED:



## TOOLS REQUIRED



OR



HANDYMAN

## THE PROCESS



READY TOOLS  
HANDY MAN



MAKE SPACE  
2M X 2M



OPEN  
PACKAGE



SEPERATE  
SCREWS

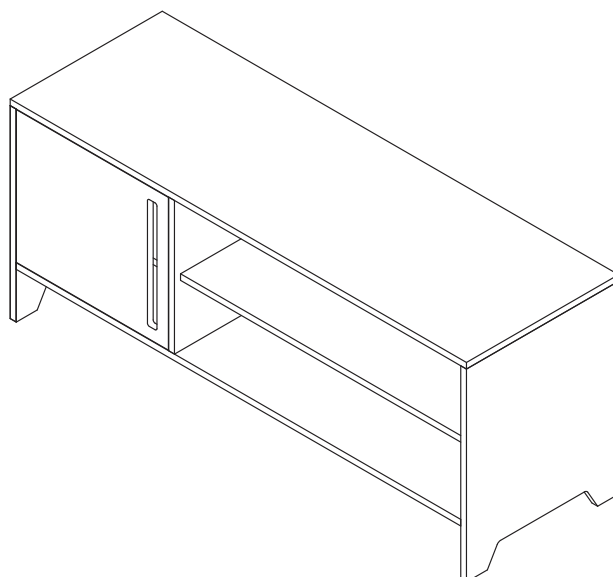


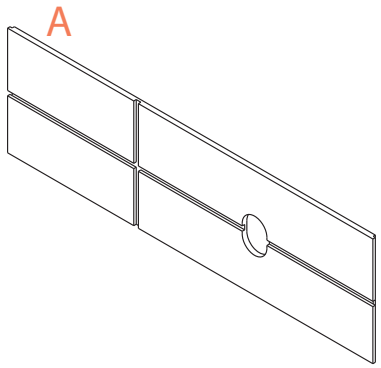
LAY OUT PIECES  
THEN SORT PIECES

DO THIS ON A CARPET



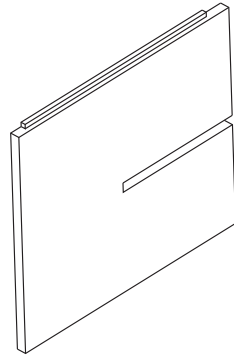
FOLLOW  
INSTRUCTIONS





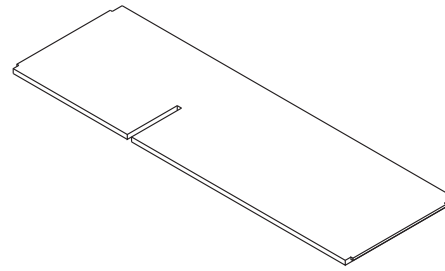
1 PCS

B



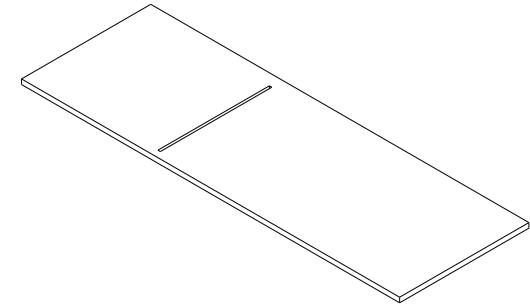
2 PCS

C



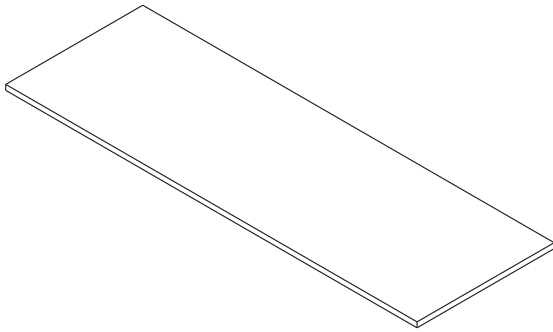
1 PCS

D



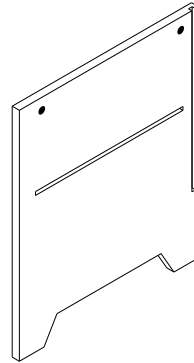
1 PCS

E



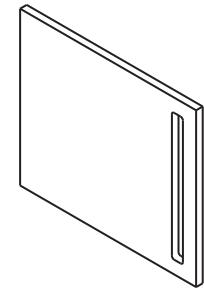
1 PCS

F



2 PCS

G



1 PCS

H



4 PCS

I



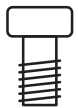
4 PCS

J



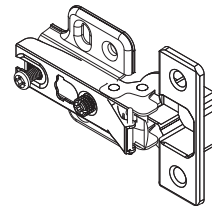
6 PCS

L



4 PCS

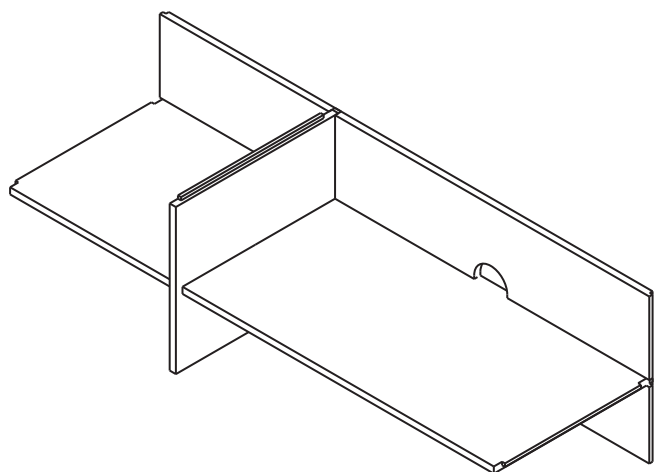
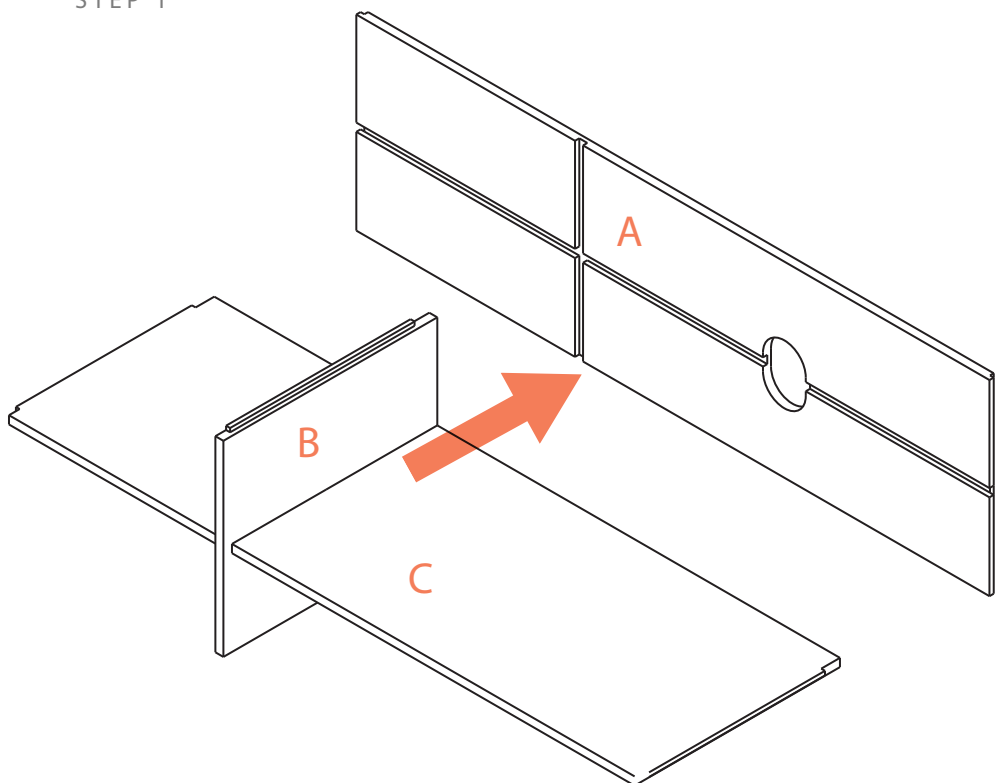
M



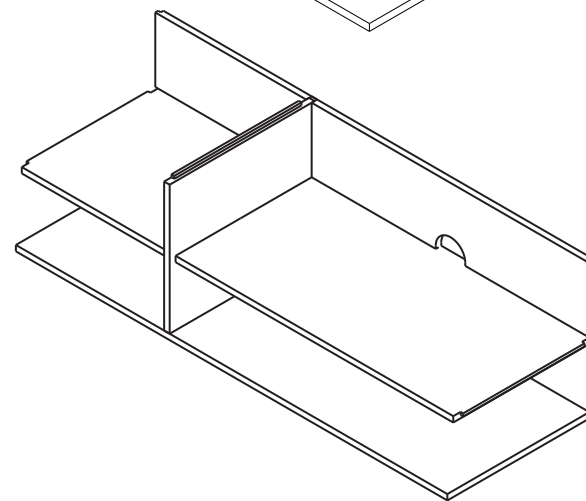
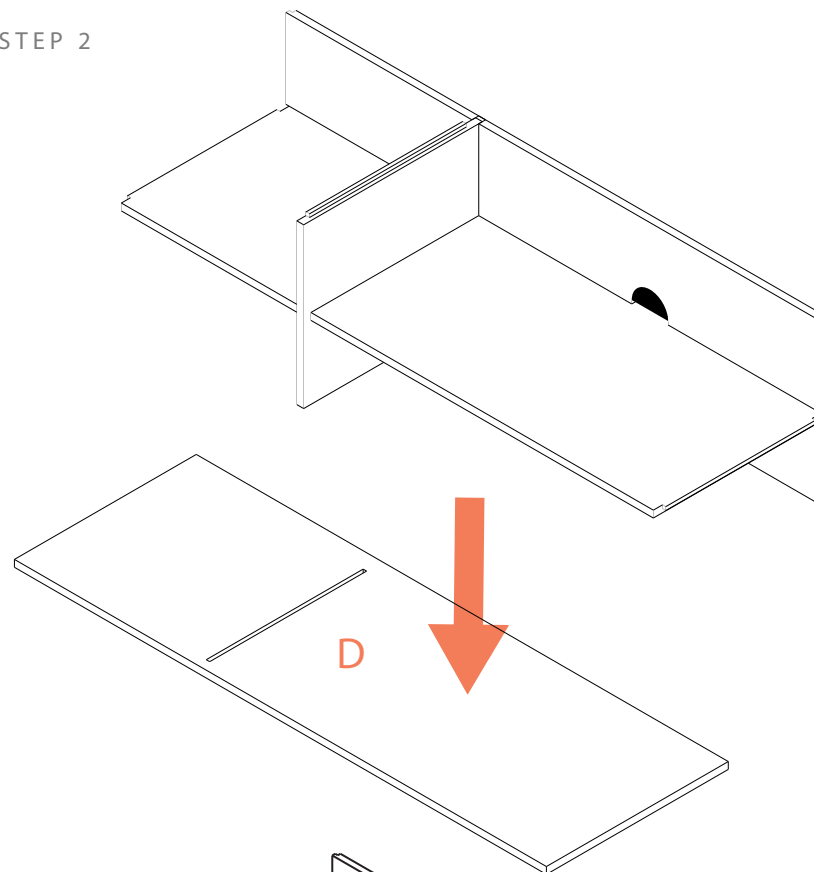
2 PCS

# ASSEMBLY

STEP 1

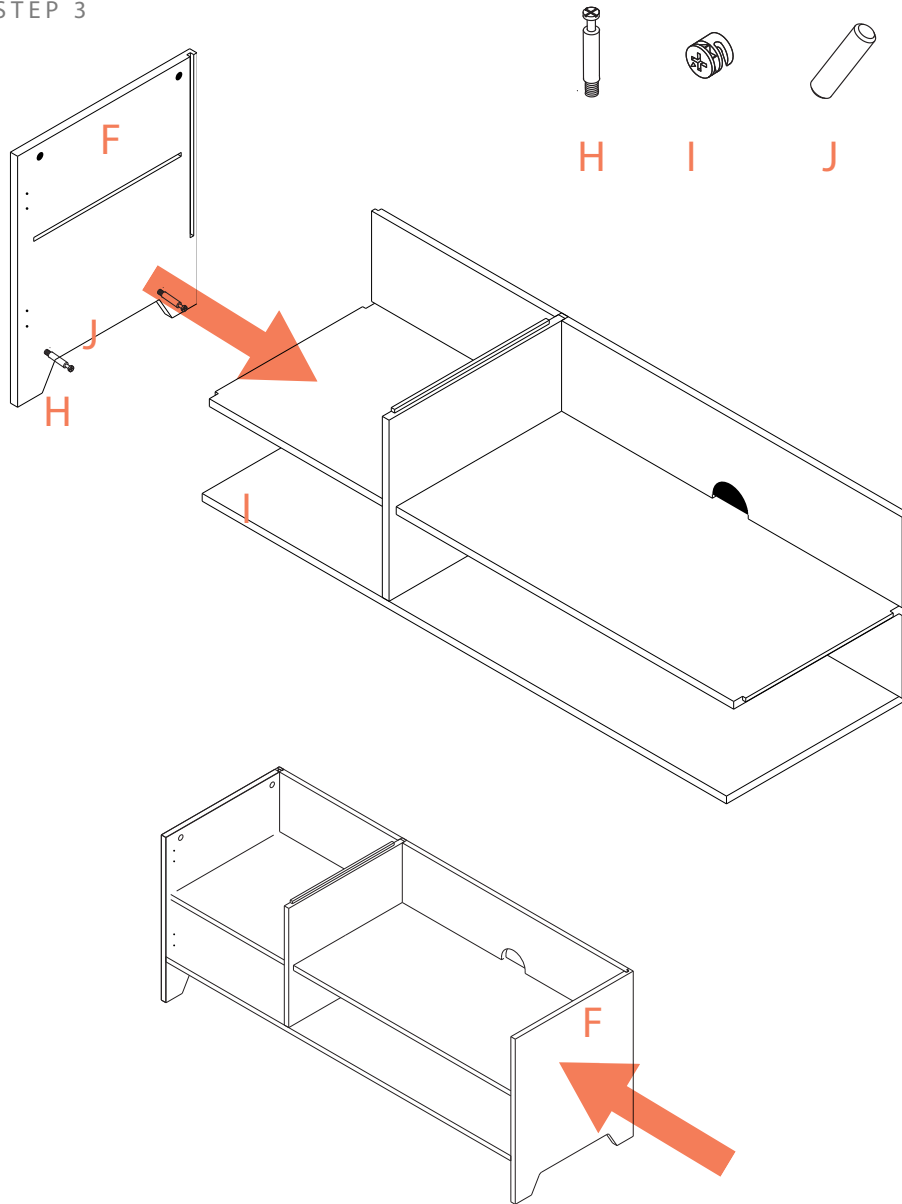


STEP 2

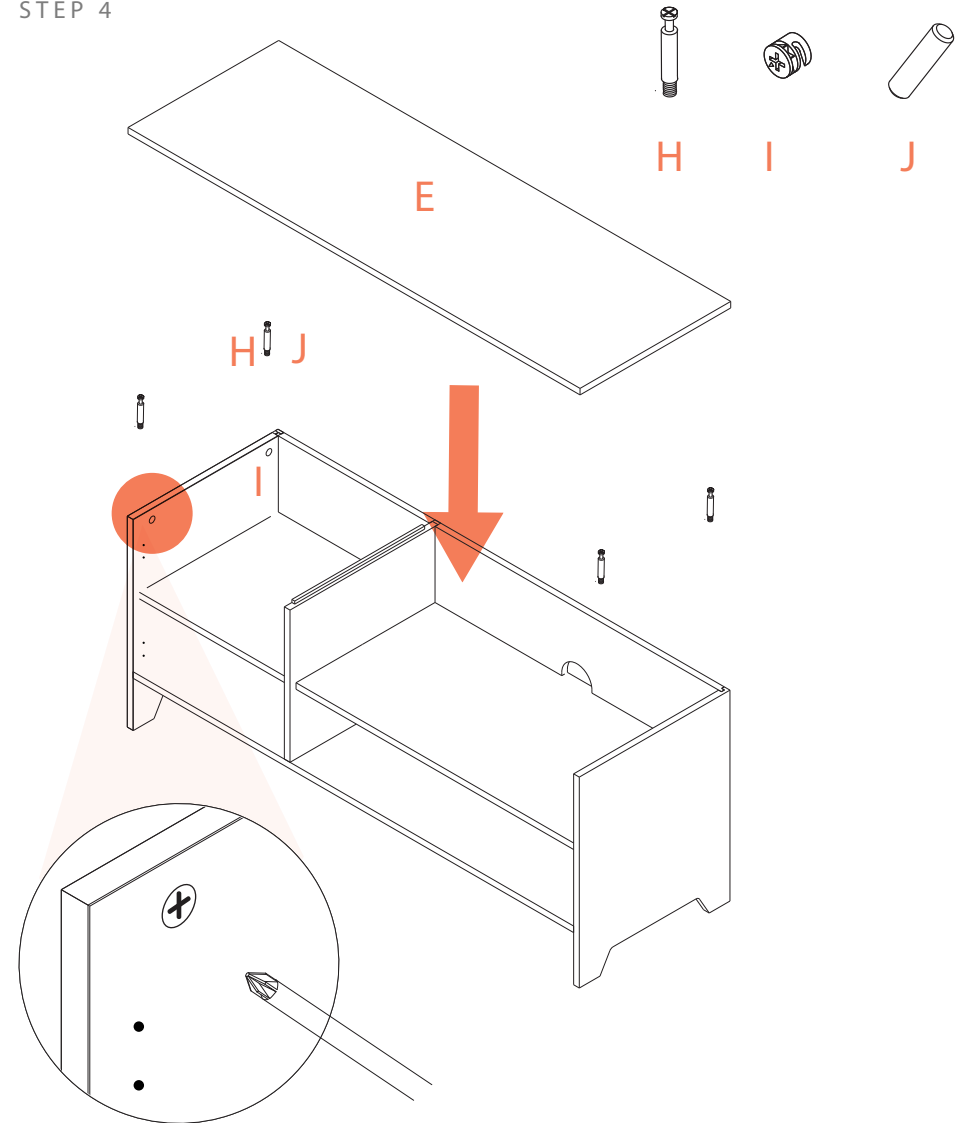


# ASSEMBLY

STEP 3



STEP 4



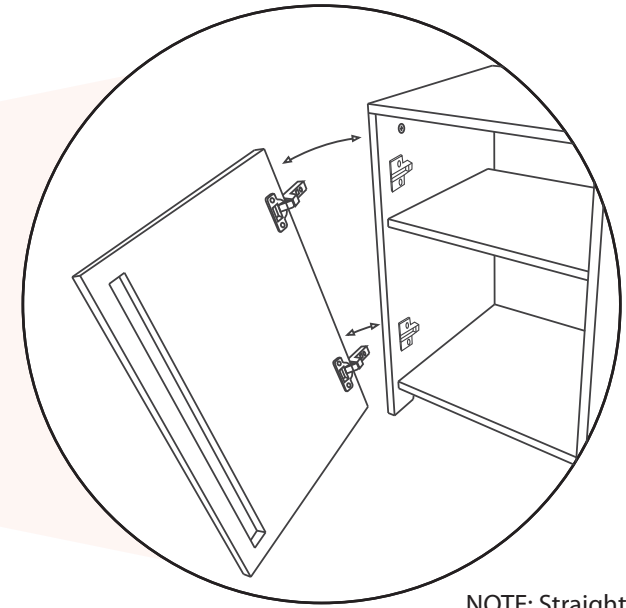
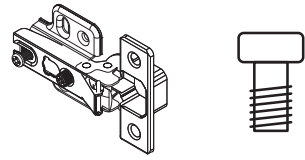
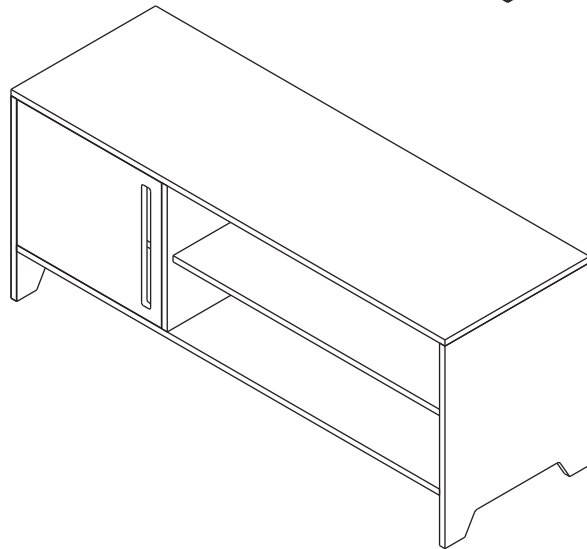
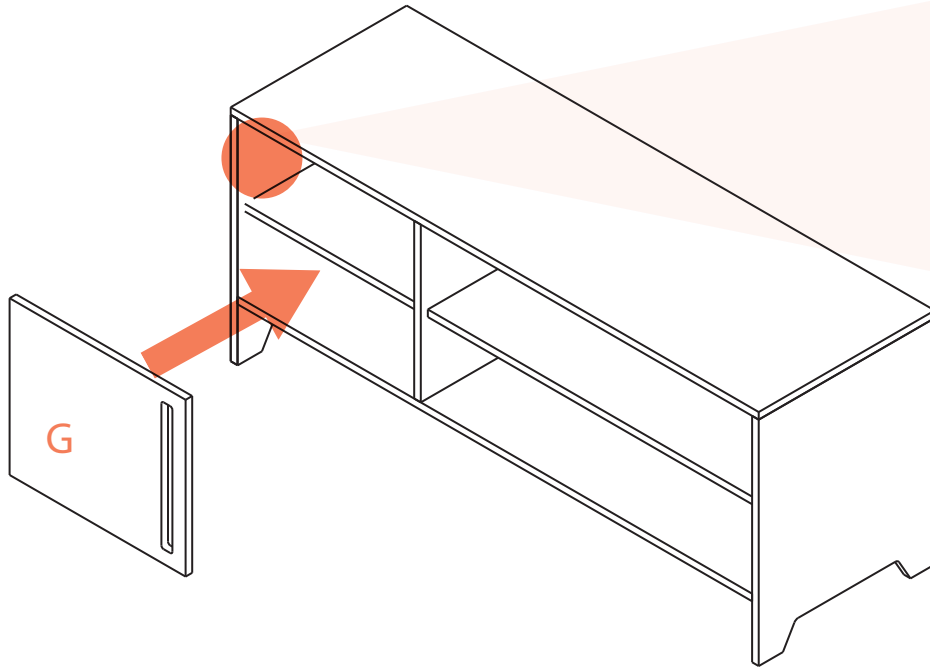
# ASSEMBLY

STEP 5

M

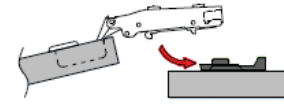
L

STEP 5

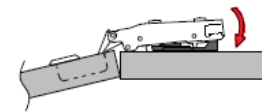


NOTE: Straighten hinges and insert bottom hinge first.

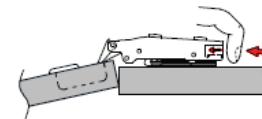
## Clip On Hinge Instructions



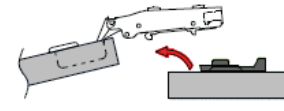
Clamp hinge on to the mounting plate as shown by direction arrow



Press down the hinge arm to lock the plate as shown



The door can be quickly removed by pushing the button



Unclipping the door from the mounting plate leaves all adjustments unaltered



POPSTRUKT

YOU'RE ALL DONE  
**ENJOY**

Share a pic of your **new piece**  
with us and stand a chance to **WIN.**



POPSTRUKT FURNITURE



@POPSTRUKT\_COM



@POPSTRUKT\_FURNITURE



POPSTRUKT FURNITURE



#LOVESTRUKT