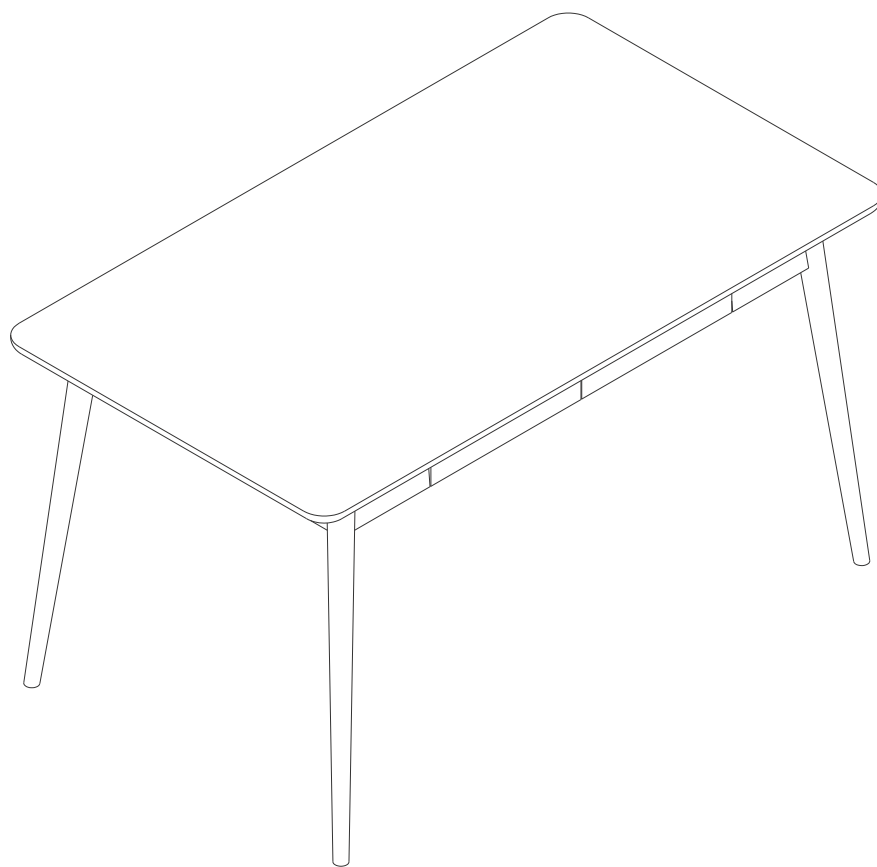


# CORTADO

Desk | Dining Table



## The Basics.

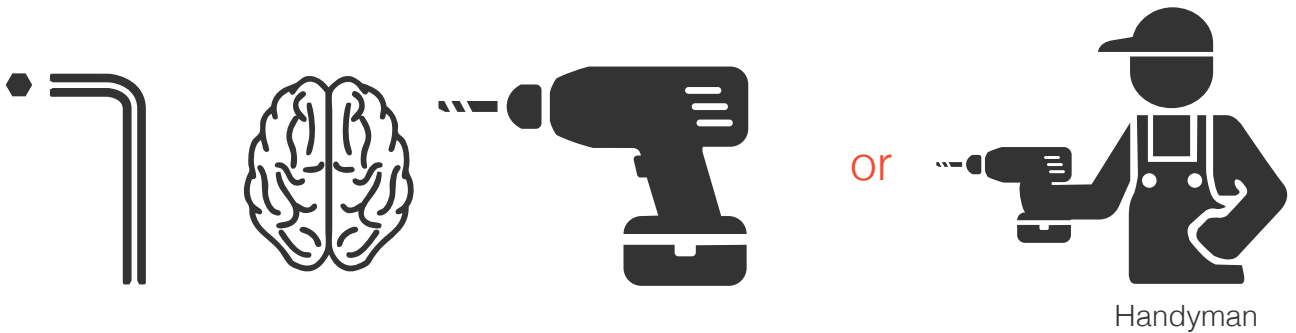
First of all, don't panic, we've got you covered with simple step by step instructions to you pop-up your new piece painlessly. We know a sack of bolts looks daunting but lets start with tools required.

ASSEMBLY RATING: 

ASSEMBLY TIME: 20 minutes

PEOPLE REQUIRED: 

## Tools Required



## The Process



READY TOOLS  
HANDYMAN



MAKE SPACE  
2m x 2m



OPEN  
PACKAGE



SEPERATE  
SCREWS



LAY OUT PIECES  
THEN SORT PIECES  
- Do this on a carpet

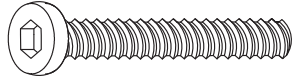


FOLLOW  
INSTRUCTIONS

## Overview

The table comes pre-assembled, you will only have to attach the 4 legs. This has to happen with the table placed on its back and once the table is turned upright all 8 screws have to be retightened.

### Supplied



x8



x8



x1

## Contact

If you are really struggling with this build please contact us so that we can get in touch and help resolve the issue.

EMAIL: [info@popstrukt.com](mailto:info@popstrukt.com)  
SUBJECT : Assembly

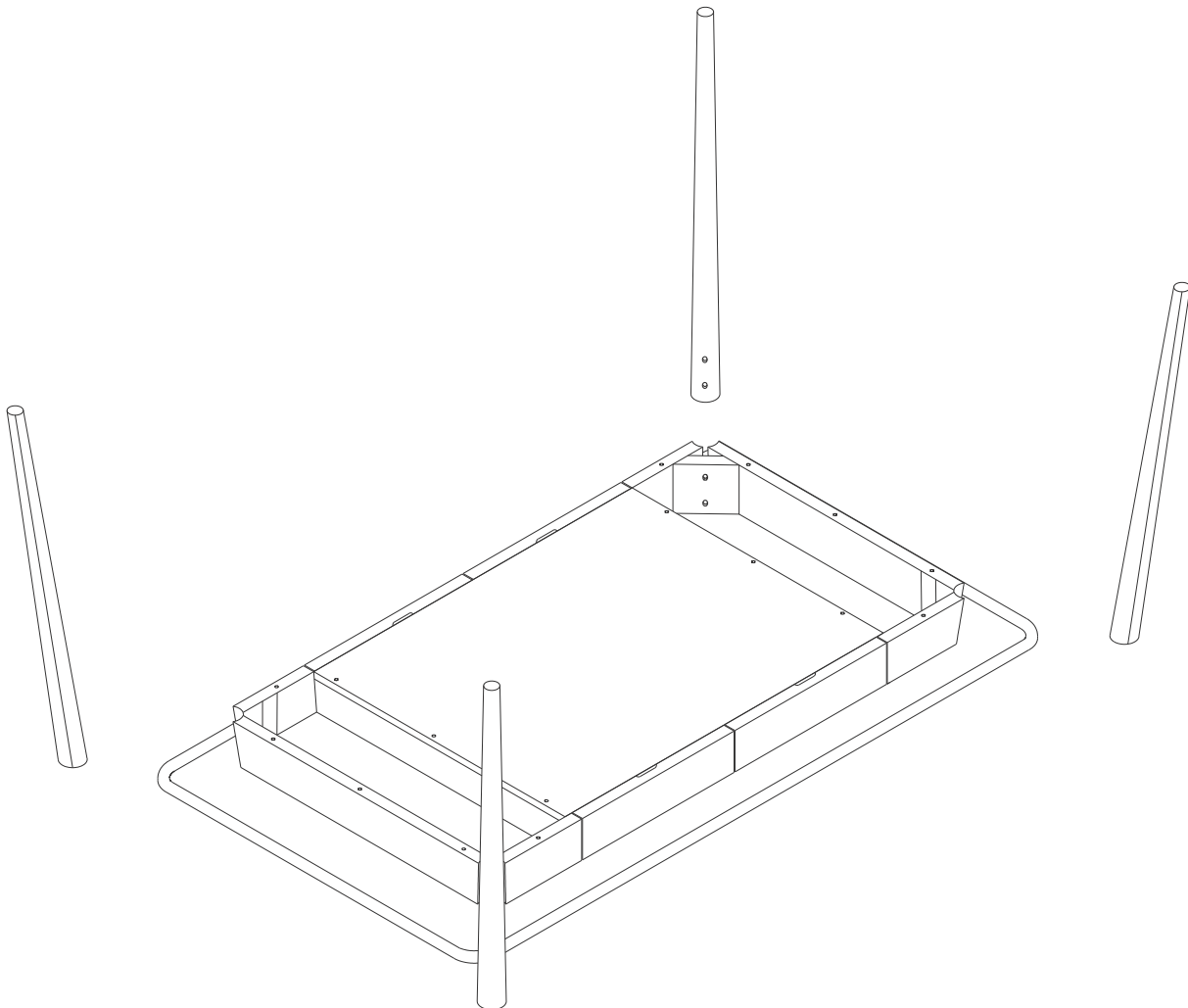
## NOTE

Please keep all the packaging for 14 days, and try not to damage it as you will need it if you want to return the piece. See our Return Policy on our website for further information on returns.



Place table on back.  
- Do this on a carpet or soft surface.

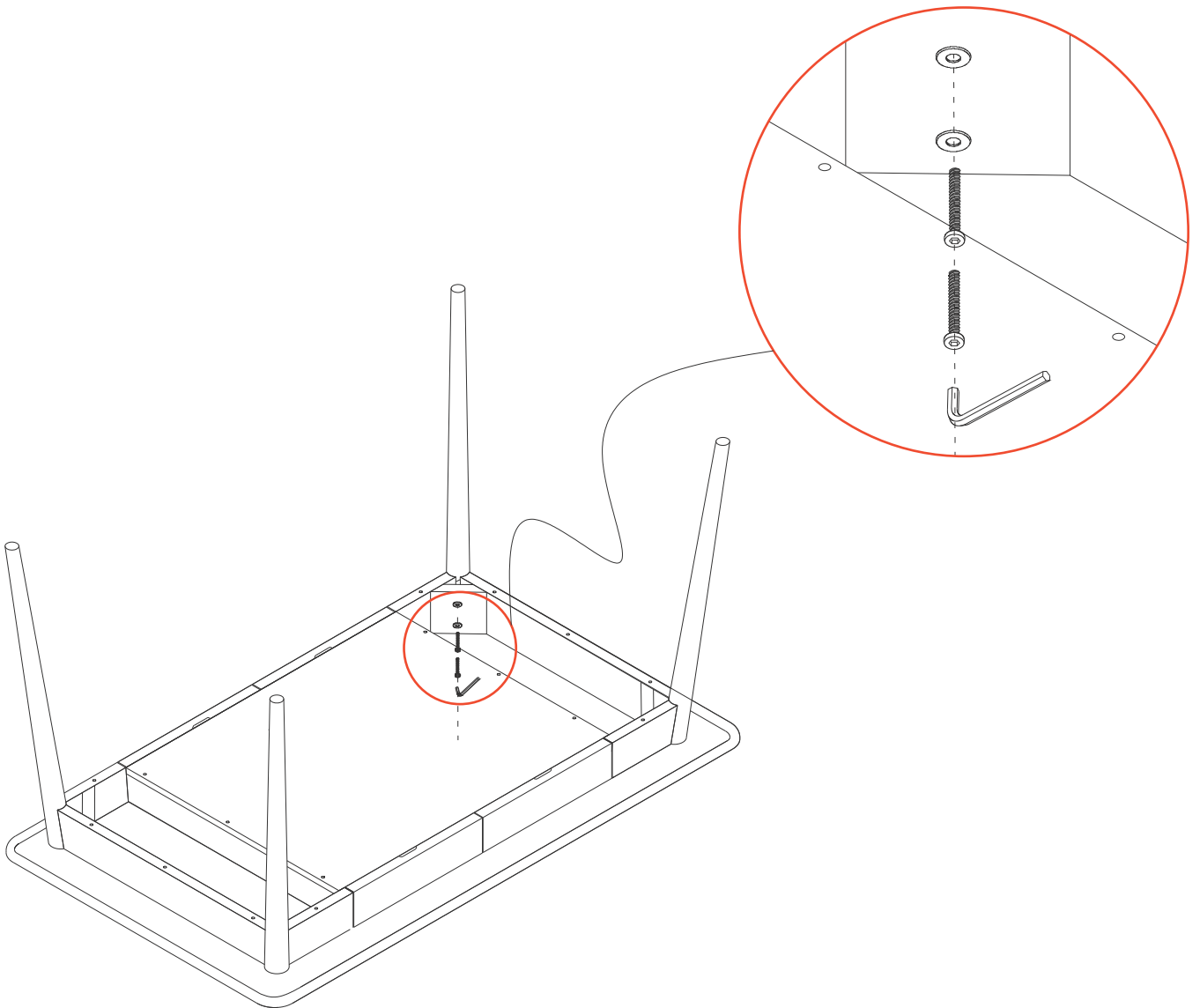
Unwrap all four legs, and place a screw at each of the 8 holes.  
Remember to place a washer on each screw.



2

Attach Legs.  
- Tighten screws.

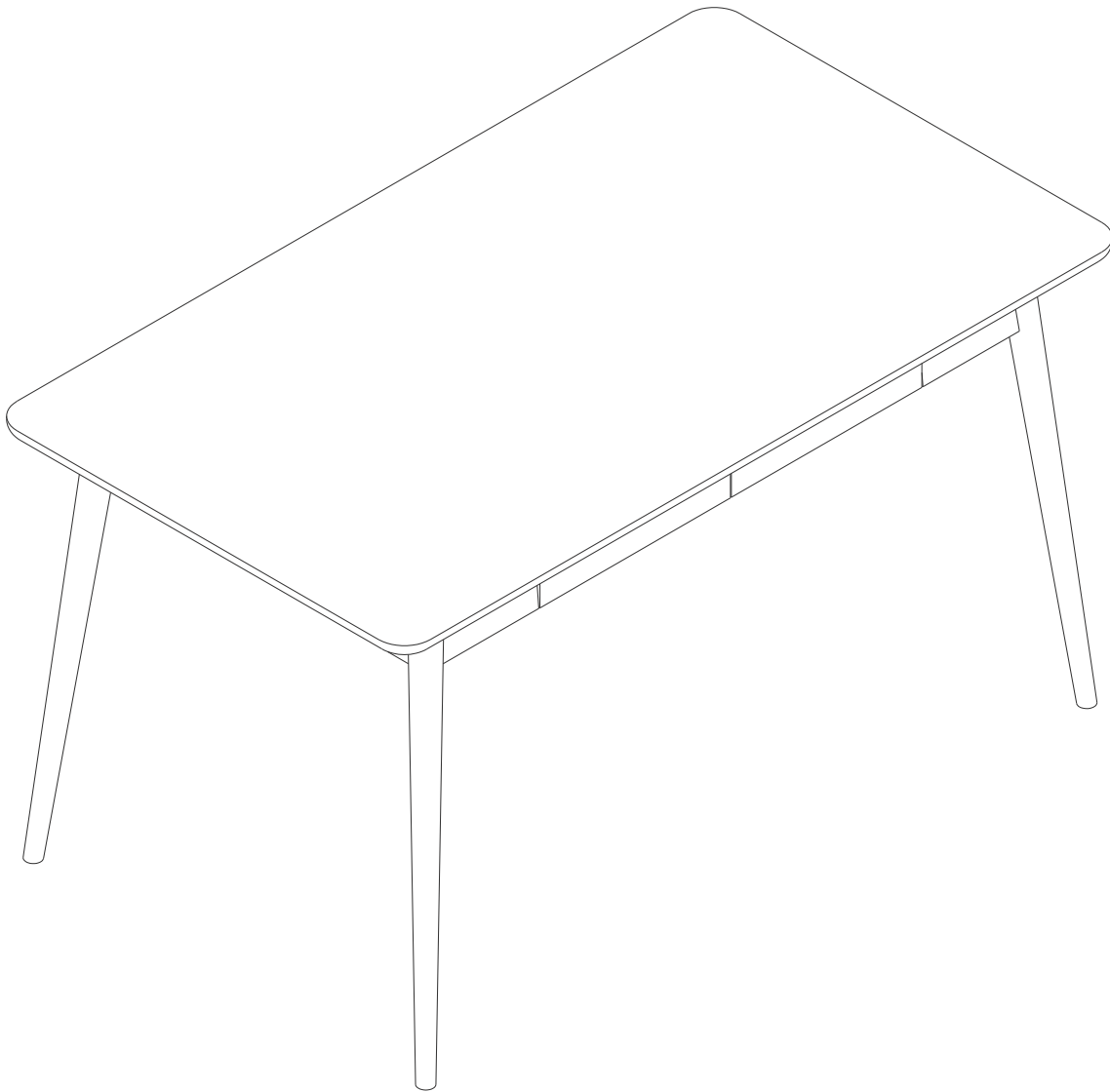
When tightening the screws remember to tighten the two screws equally and not one by one as it will cause the holes to be out of alignment. Once the table is upright you can give all 8 screws a final check and tighten properly.





Turn Table Upright.  
- Tighten screws properly.

Place the table on its legs. Check and tighten all 8 screws properly, make sure the table is stable and recheck all a screws.





YOU'RE ALL DONE, ENJOY!