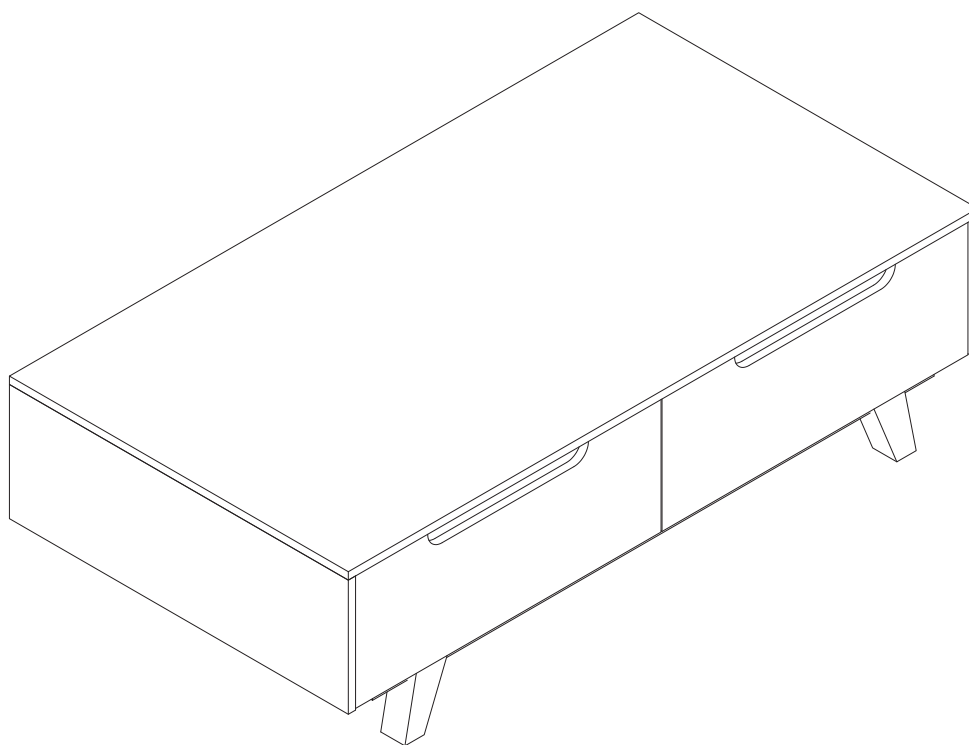


Breve
Coffee table



The Basics.

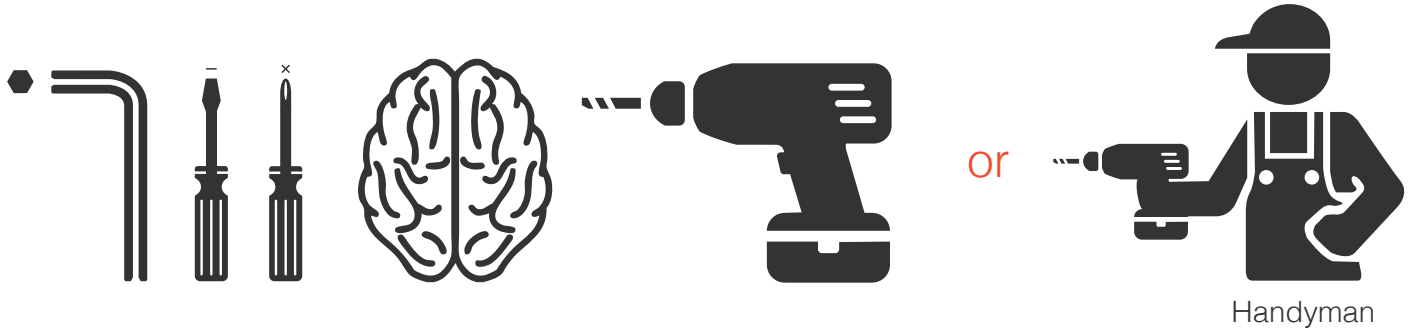
First of all, don't panic, we've got you covered with simple step by step instructions to help you pop-up your new piece painlessly. We know a sack of bolts looks daunting but lets start with the basics.

ASSEMBLY RATING: 

ASSEMBLY TIME: 90 minutes

PEOPLE REQUIRED: 

Tools Required



The Process



1 READY TOOLS
HANDYMAN



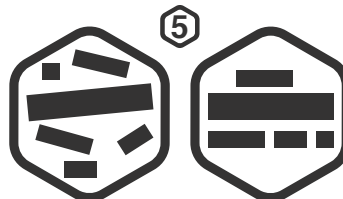
2 MAKE SPACE
2m x 2m



3 OPEN
PACKAGE



4 SEPERATE
SCREWS





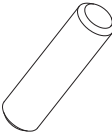
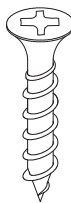
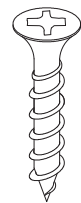
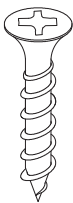
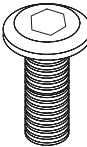
5 LAY OUT PIECES
THEN SORT PIECES
- Do this on a carpet



6 FOLLOW
INSTRUCTIONS

Overview

The Breve comes in flatpack. You will have to mount the base, then assemble the trunk onto the base section before placing the lid onto the unit and finally assembling and installing the drawers..

Supplied			
			
AMOUNT	x24	x24	x12
STEP	2A/3A	2C/3C	2A/3A
			
25	30	40	
AMOUNT	x6	x12	x4
STEP	1A	1B	4A
			4B

Contact

If you are really struggling with this build please contact us so that we can get in touch and help resolve the problem with you.

EMAIL: info@popstrukt.com
SUBJECT : Assembly (Send pics if need be)

NOTE

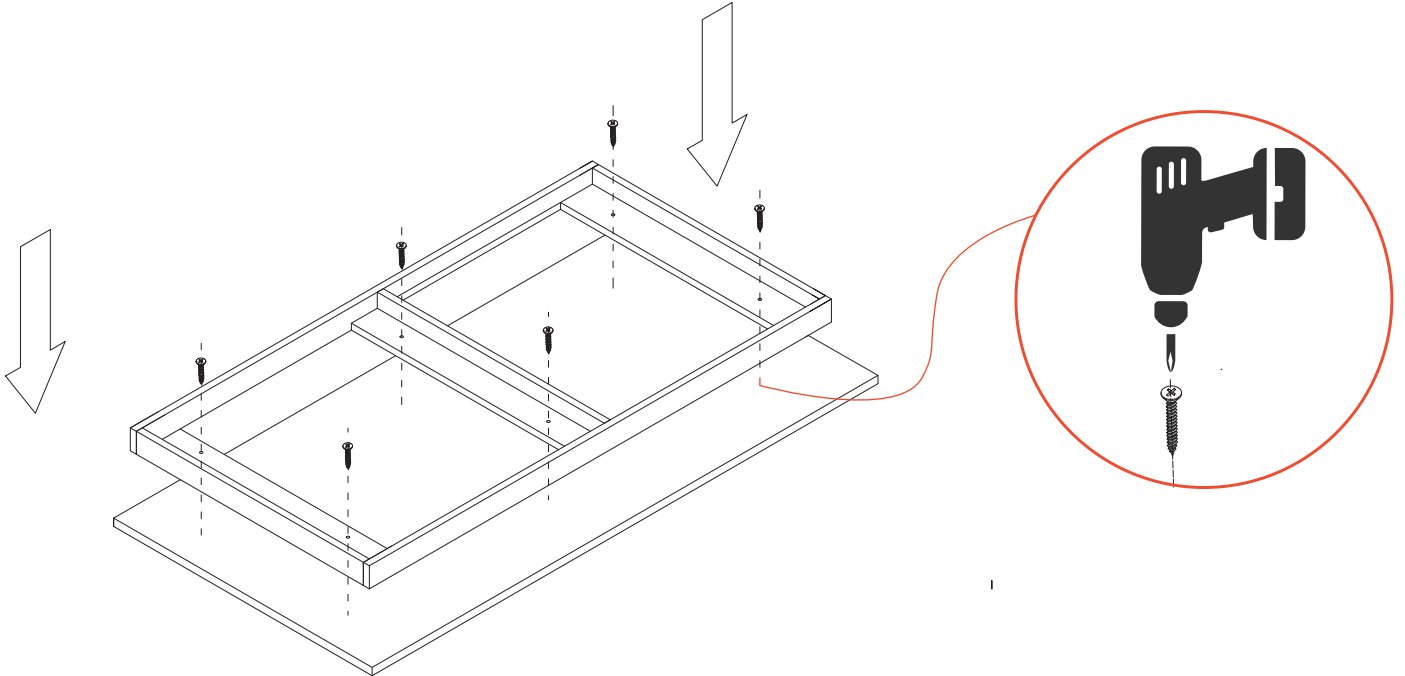
Please keep all the packaging for 14 days, and try not to damage it as you will need it if you want to return the piece. See our Return Policy on our website for further information on returns.



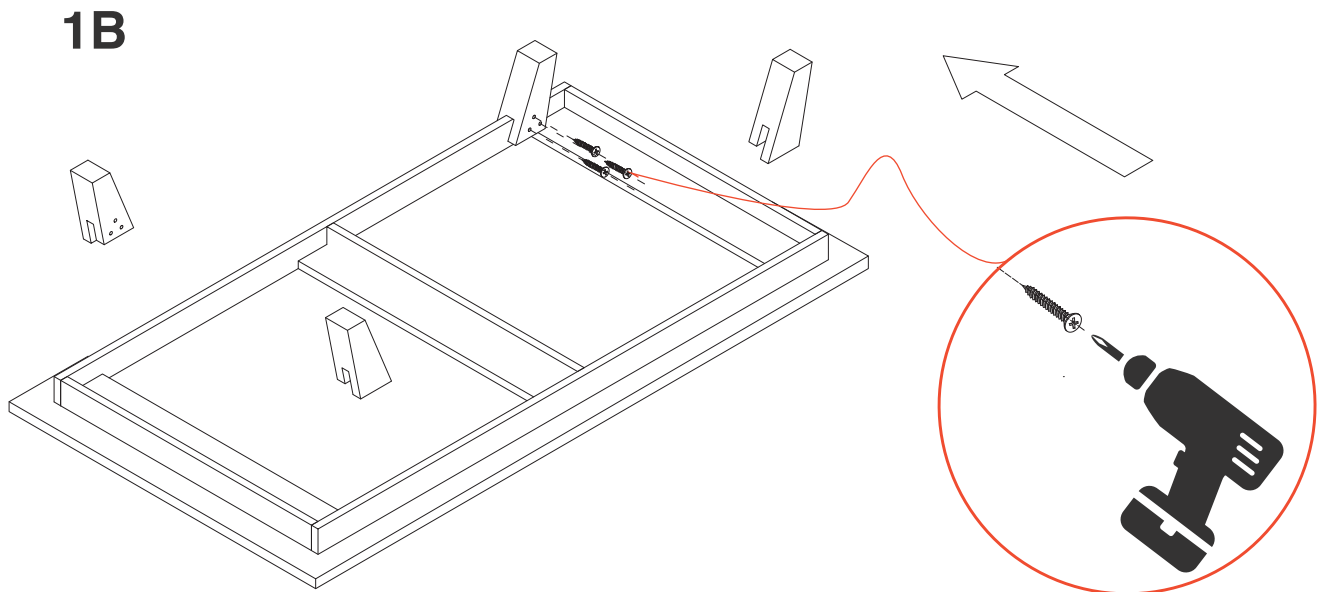
Fix Base and feet to bottom.
- Do this on a carpet or soft surface.

HARDWARE 1A + 1B

1A - Place the base on the bottom side of the base board. Note that the bottom piece (base board) is a mirror image of the top board. The existing holes should face away from the face you are mounting onto. Also make sure the base is center using a measuring tape, you can eyeball it but we don't recommend this.



1B - Fix the legs to the base as illustrated using three screws per leg as shown.





Assemble trunk.
- Insert and tighten fasteners.

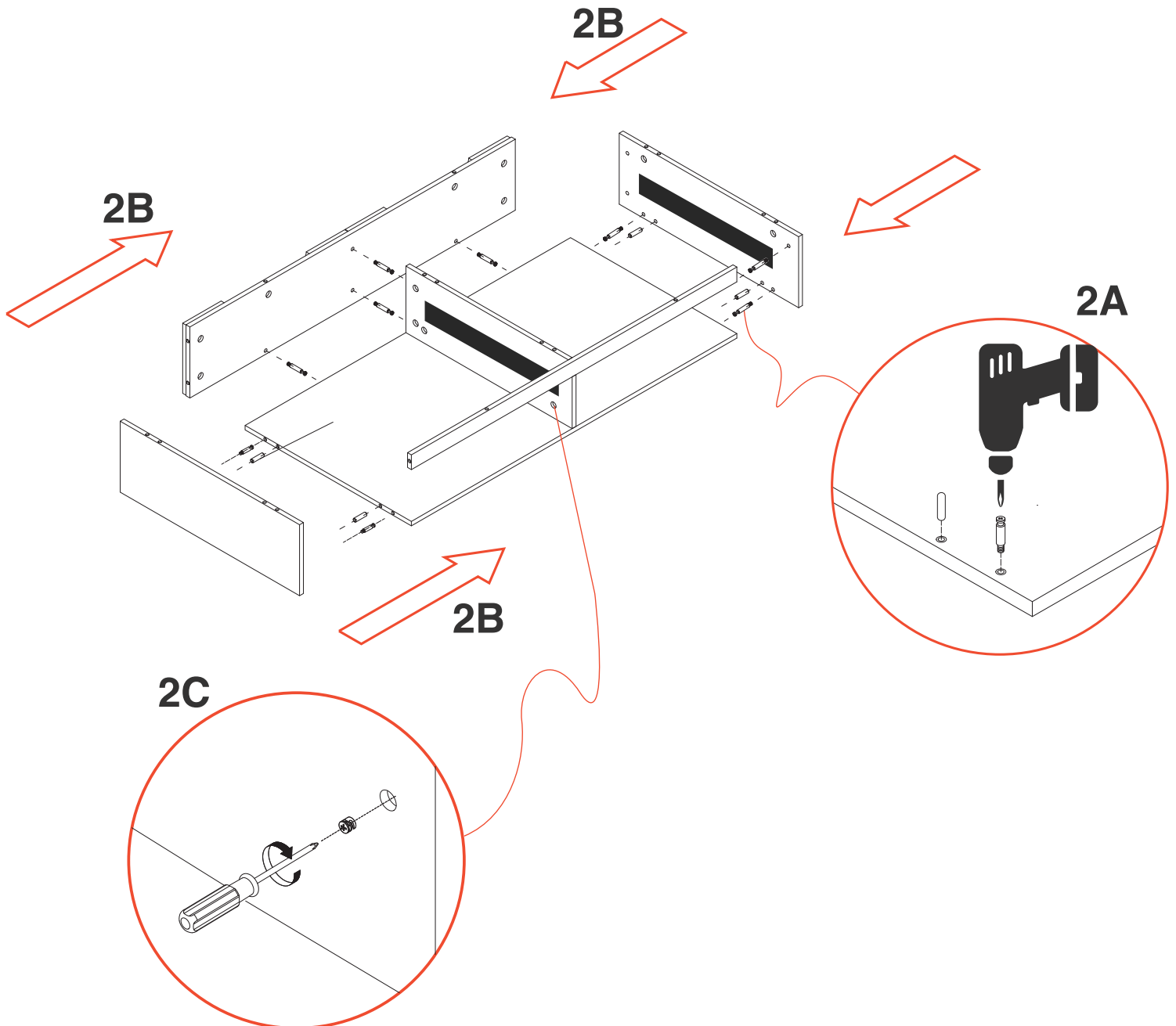
HARDWARE 2A - 2C

The trunk assembly requires some focus and remember to think ahead when putting the pieces into place.

Step 2A - Insert all the fastener screws and dowels on all 5 pieces starting with the base board.

Step 2B - Interlock the pieces.

Step 2C - Make sure all the pieces are inserted correctly (See steps 3 and 4) then insert and fasten fastening caps, this step will pull all of the boards together tightly.



3

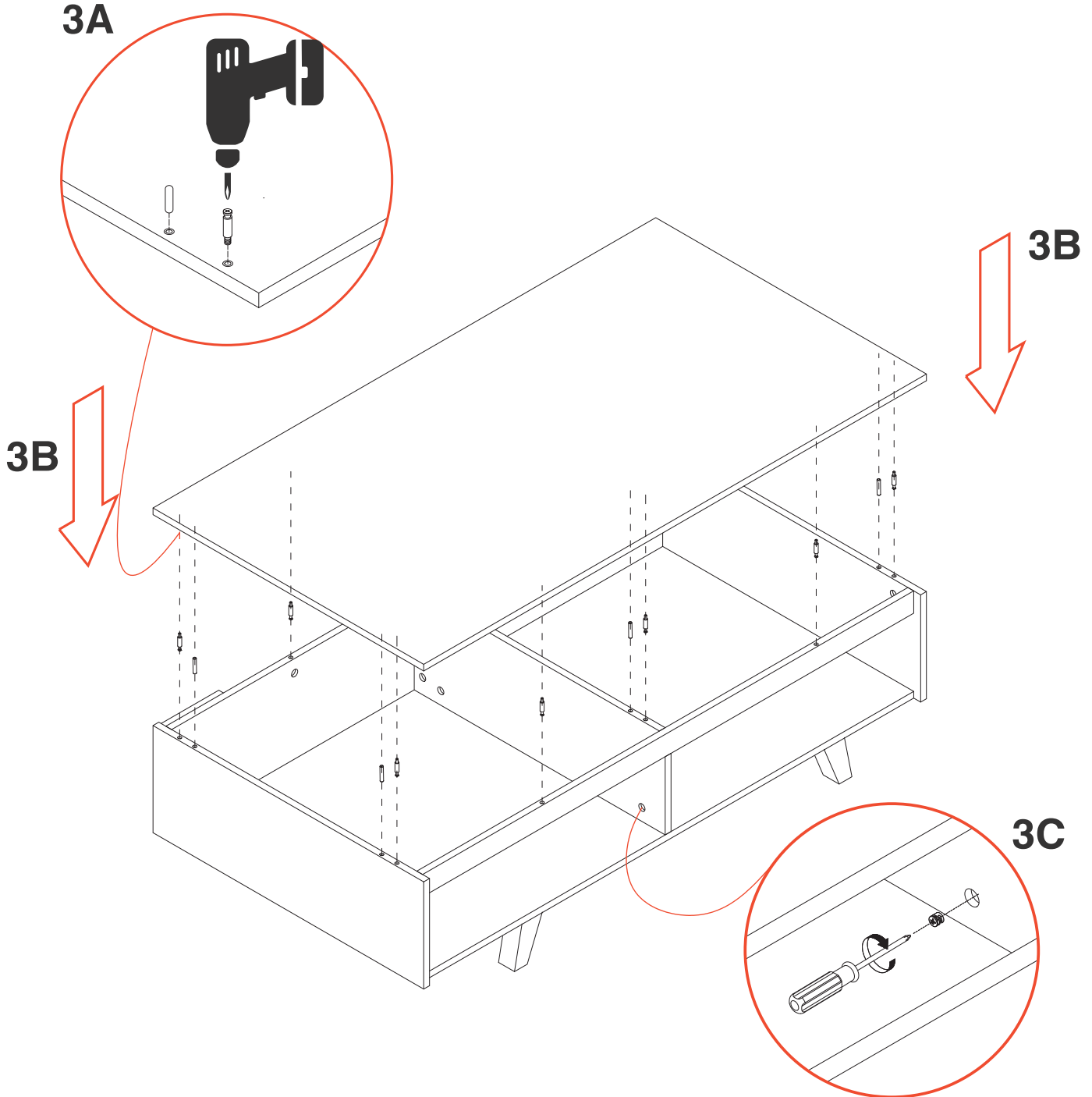
Insert lid onto trunk base.
Step 3C will tighten lid.

HARDWARE 3A - 3C

Step 3A - Insert all of the tightening screws into the lid.

Step 3B - Place the lid onto the trunk base. You can manipulate the screws and dowels to fit.

Step 3C - Insert and fasten all the tightening caps. Do this separately for the base and top.



4

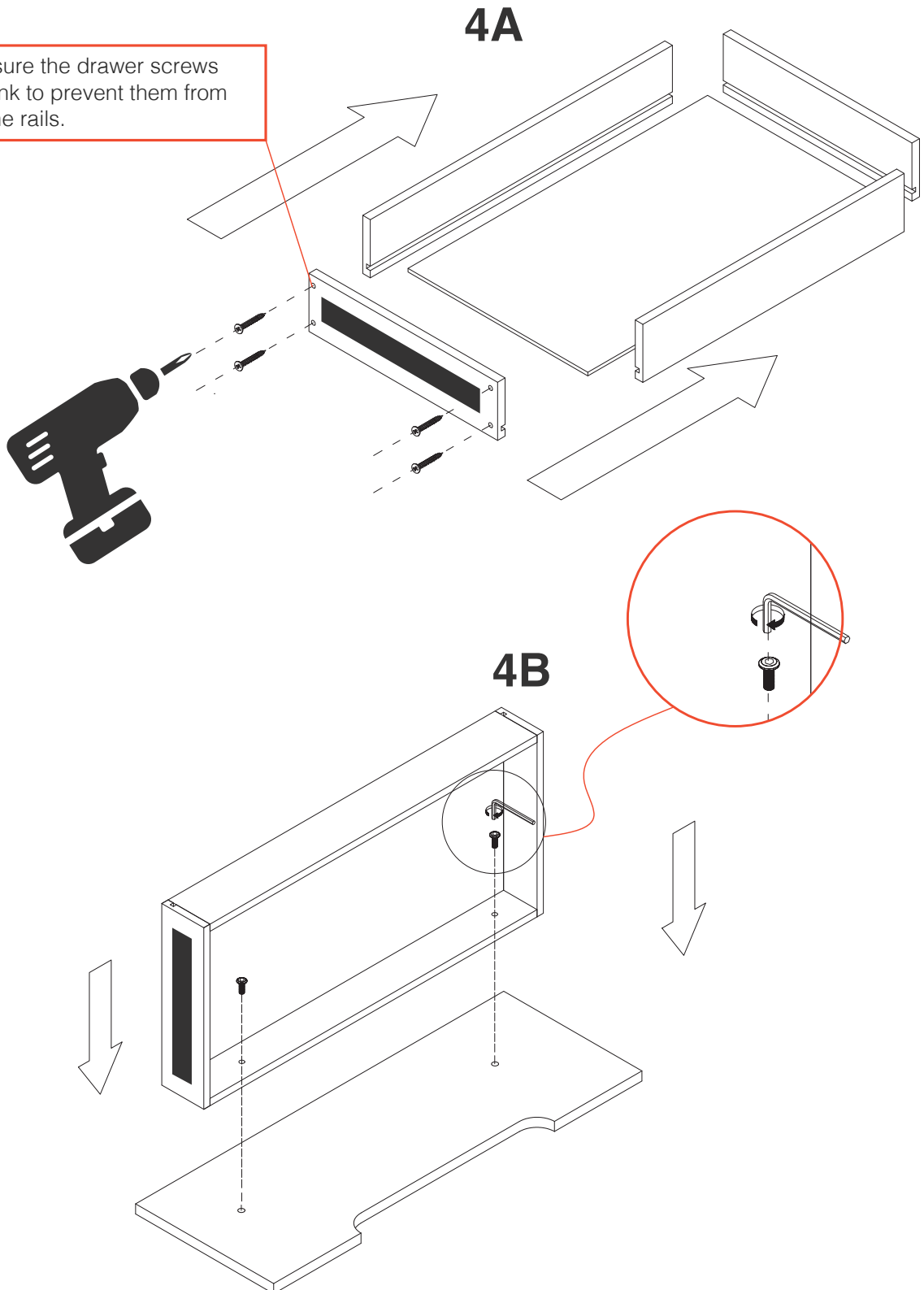
Assemble Drawers
- Use of powertool recommended.

HARDWARE 4A + 4B

4A - Assemble the drawers one corner at the time by aligning the pre drilled holes. The drawer stopper should face the handle side.

4B - Attach handle/front boards. Don't tighten yet as this can be done at the end when to adjust position

NOTE: make sure the drawer screws are countersunk to prevent them from catching on the rails.

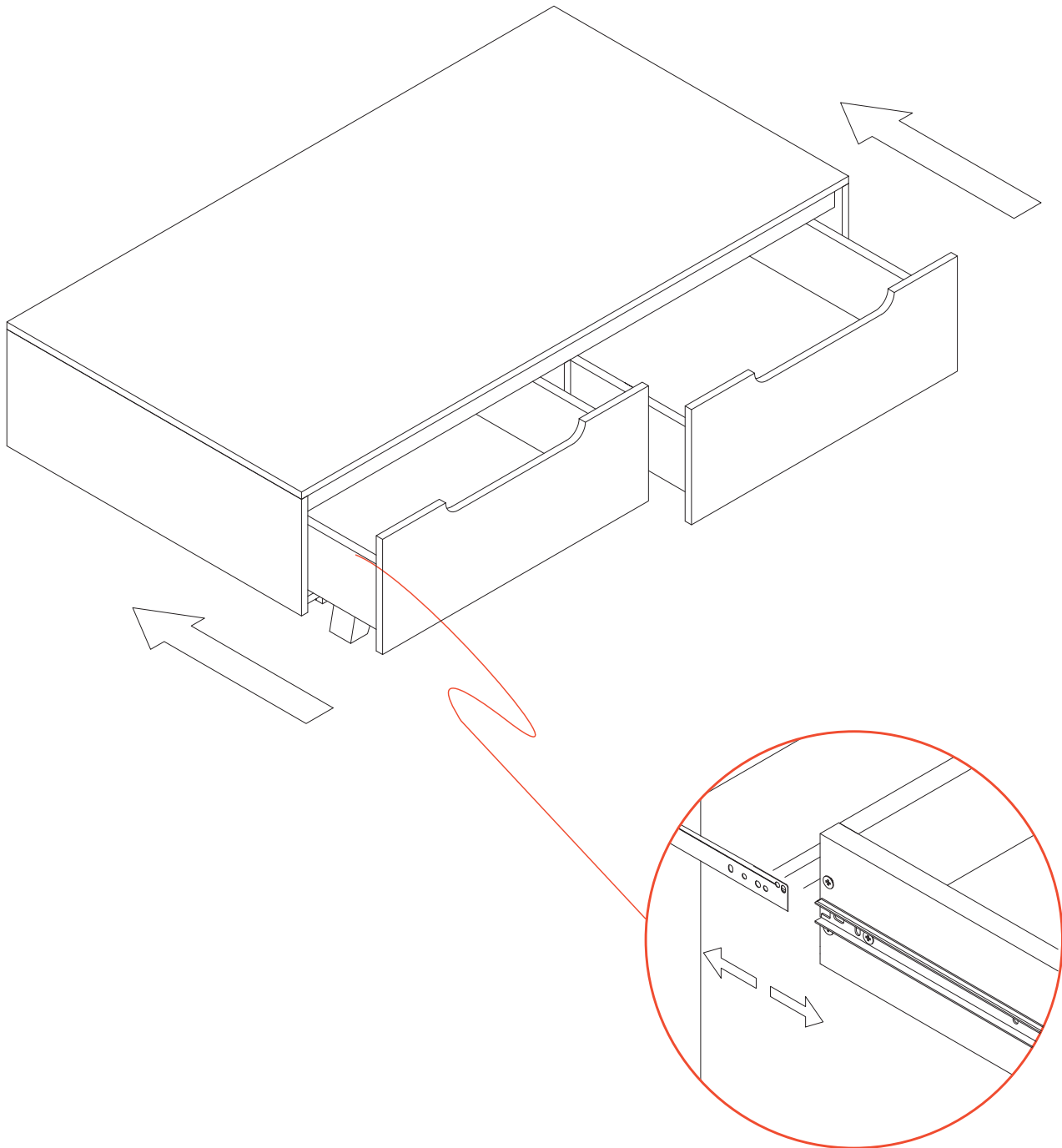


5

Insert Drawers

HARDWARE 5A

5 - The drawers are simply inserted into the sliding rails and pushed in all the way to the back until you hear a click. The drawers might move with friction at first but opening and closing them repeatedly will improve the smoothness. Also make sure the drawer screws are countersunk to prevent them from catching onto the rails. See step 4A.



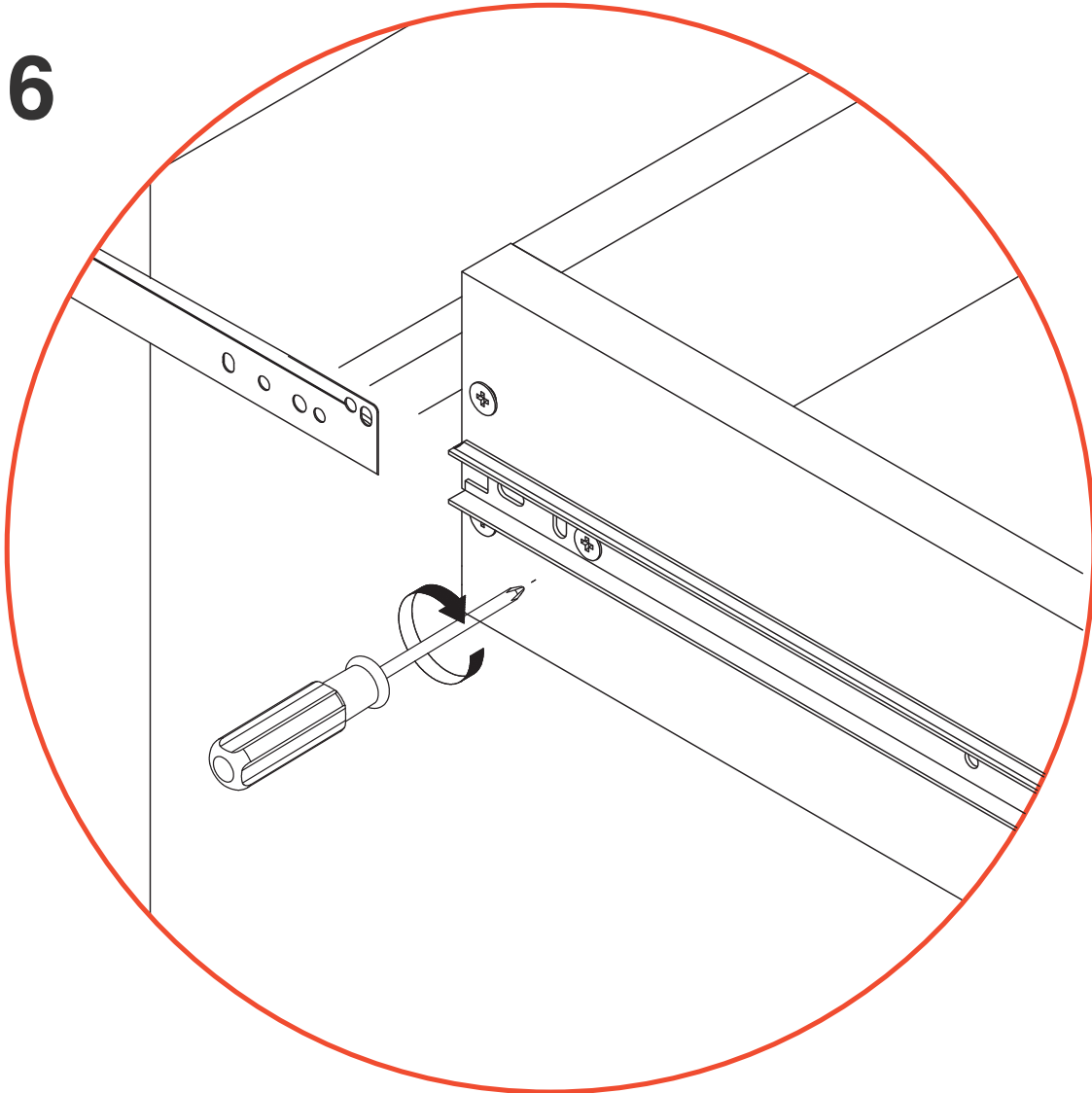


Adjust drawer height and friction.
- Use hand tools.

HARDWARE 6A

7A - The drawers can be adjusted by moving the drawer screws to the vertical slots, do this one by one and before tightening them make sure the height is correct.

6





YOU'RE ALL DONE, ENJOY!

Share a pic of your new piece.



Popstrukt Furniture



@Popstrukt_com



@popstrukt_com



Popstrukt Furniture