

## Creme Bedside Table

PSGW\_CREME\_BS\_W  
UPDATED VERSION MAY 2018



## The Basics.

First of all, don't panic, we've got you covered with simple step by step instructions to help you pop-up your new piece painlessly. We know a sack of bolts looks daunting but lets start with the basics.

ASSEMBLY RATING: 

ASSEMBLY TIME: 20 minutes

PEOPLE REQUIRED: 

## Tools Required



or



Handyman

## The Process



1 READY TOOLS  
HANDYMAN



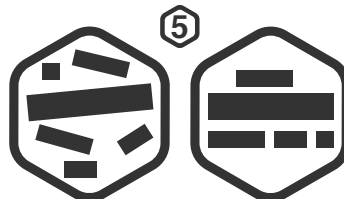
2 MAKE SPACE  
2m x 2m



3 OPEN  
PACKAGE



4 SEPERATE  
SCREWS



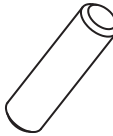
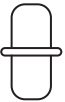
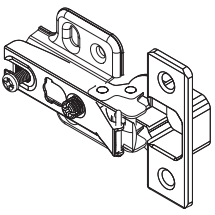




5 LAY OUT PIECES  
THEN SORT PIECES  
- Do this on a carpet



6 FOLLOW  
INSTRUCTIONS

## Parts Overview

Supplied		A	B	C	D
					
AMOUNT		x8	x8	x8	
STEP		7	2/3/4/5	6	
		E	F	G	
					
AMOUNT		x2	x4	x4	
STEP		7	7	8	

## Contact

If you are really struggling with this build please contact us so that we can get in touch and help resolve the problem with you.

EMAIL: [info@popstrukt.com](mailto:info@popstrukt.com)

SUBJECT : Assembly Help Needed (Send pics if need be)

## NOTE

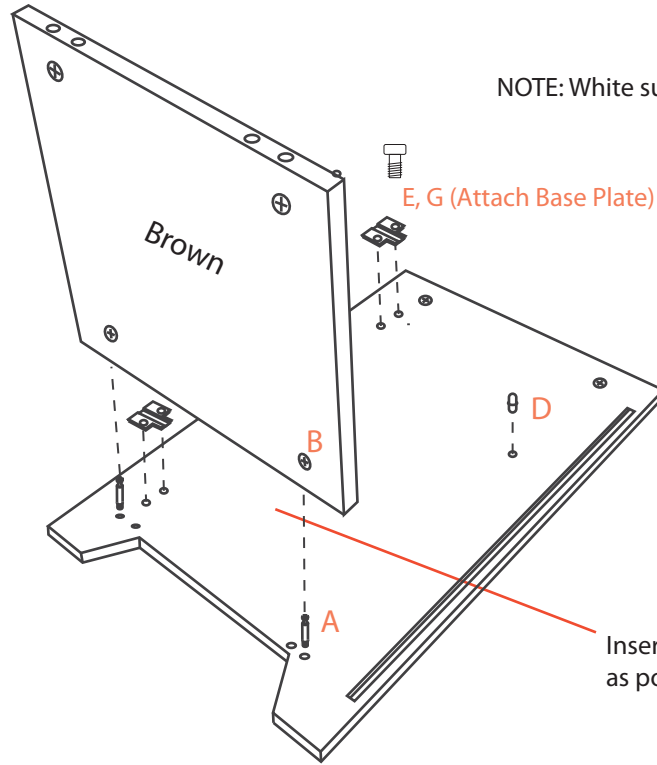
Please keep all the packaging for 14 days, and try not to damage it as you will need it if you want to return the piece. See our Return Policy on our website for further information on returns.

1

### Attach Base to Side

- Note: Work on a carpet or soft surface.
- Decide if hinges will be left or right.

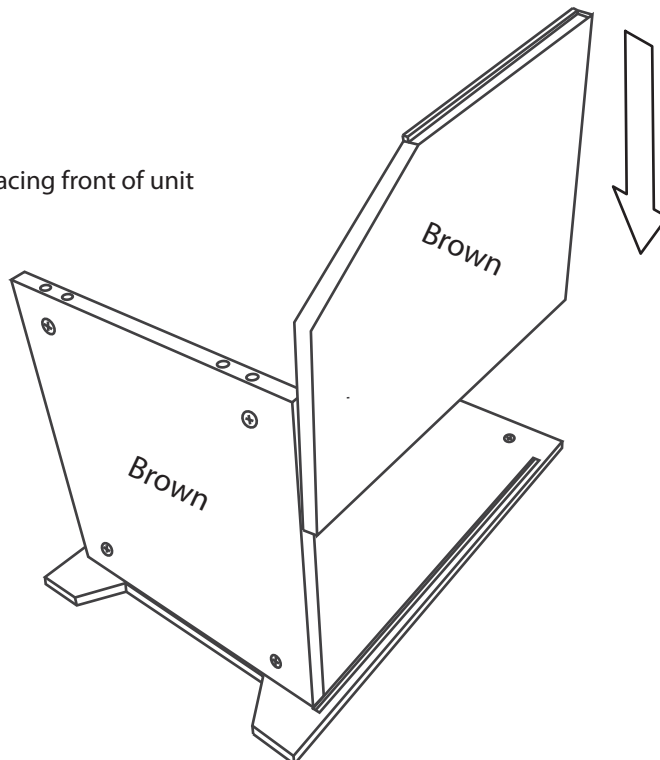
## HARDWARE A,B, C, D + E, G



2

### Position Back

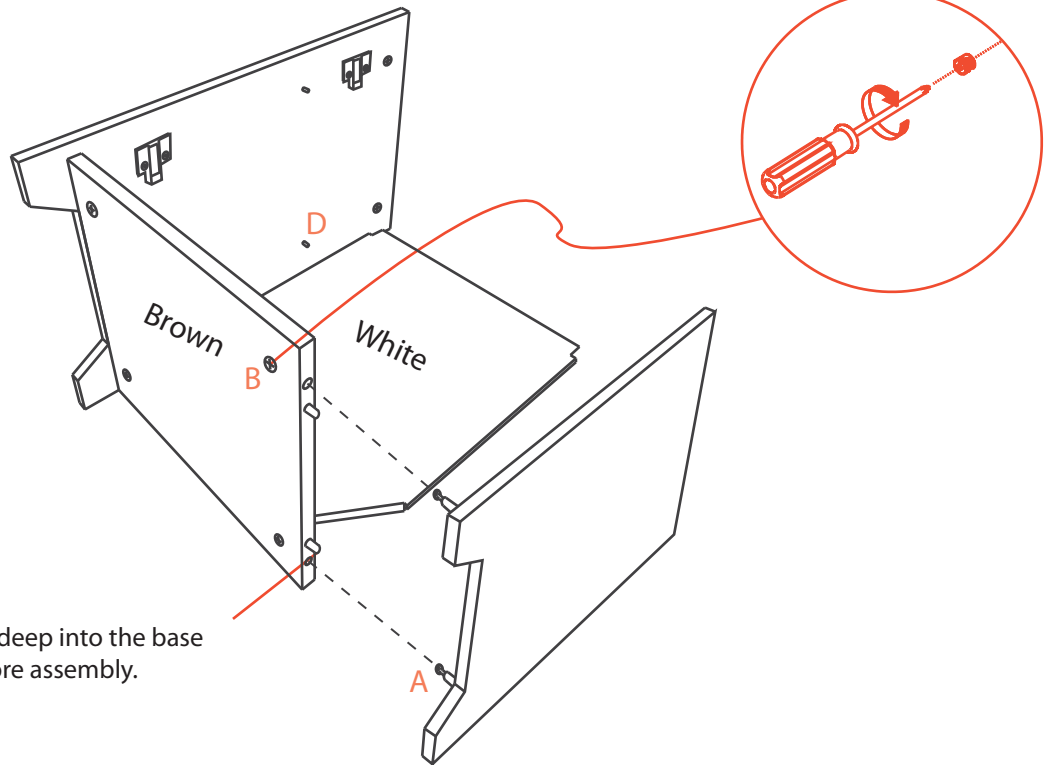
NOTE: White surface facing front of unit



3

Attach Opposite Side  
- Decide if hinges will be left or right.

**HARDWARE A,B, C**

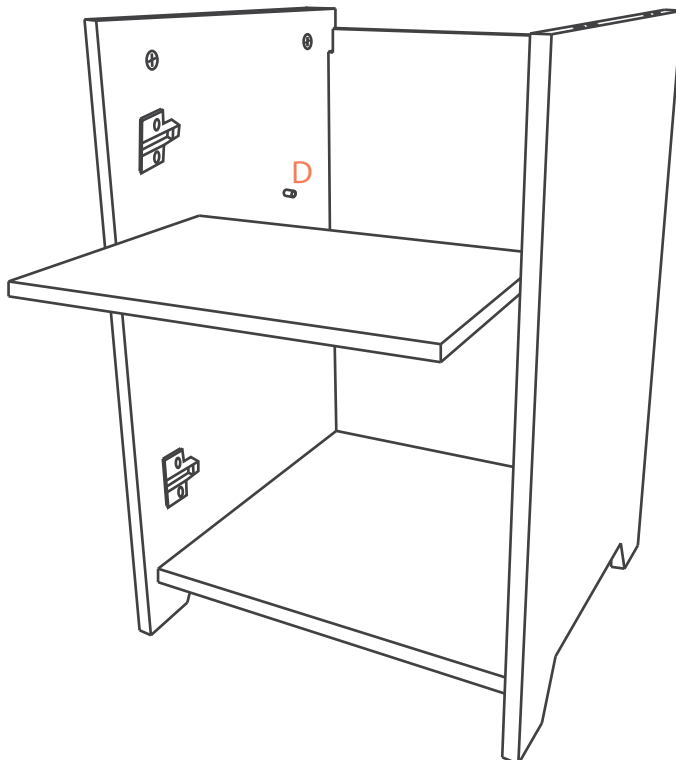


Insert part C as deep into the base as possible before assembly.

4

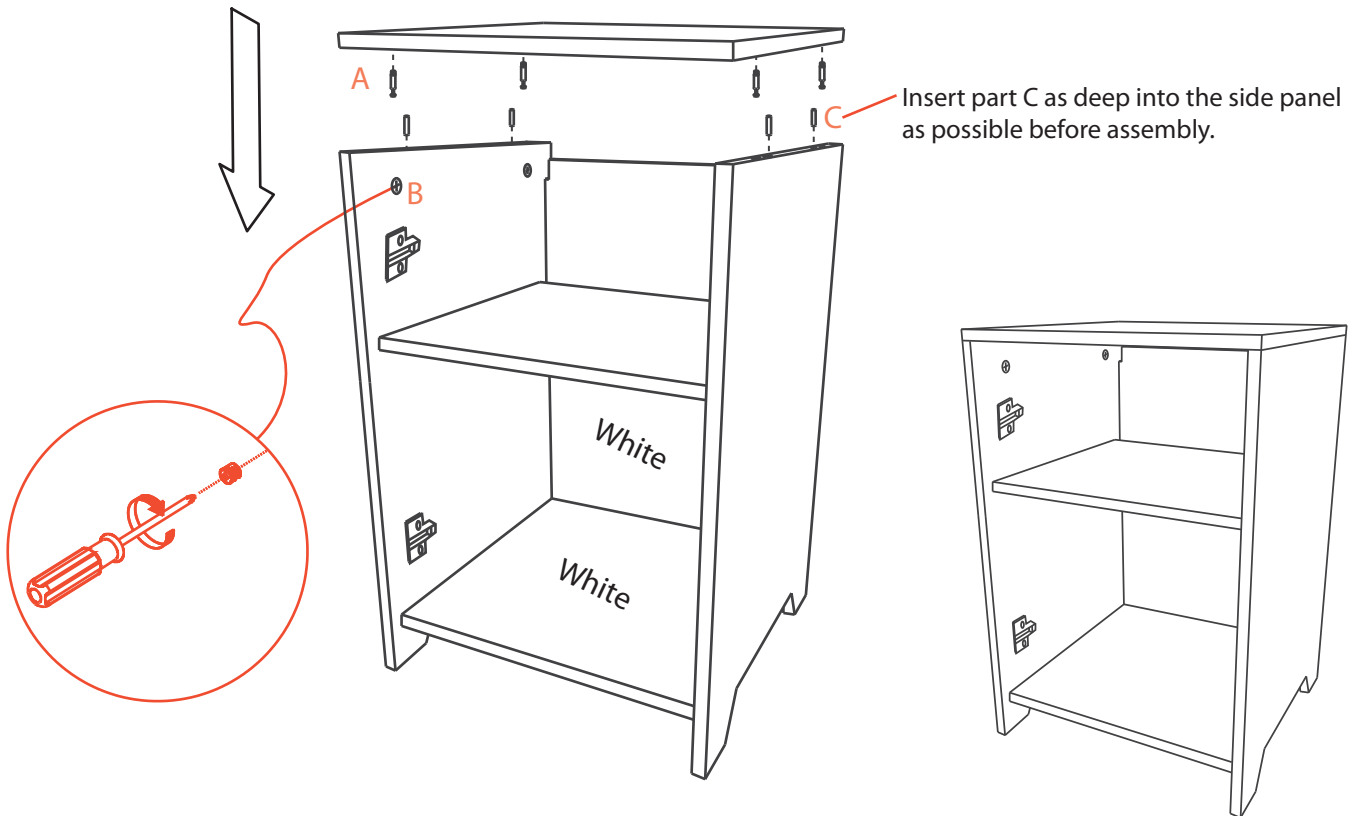
Insert Shelf

**HARDWARE D**

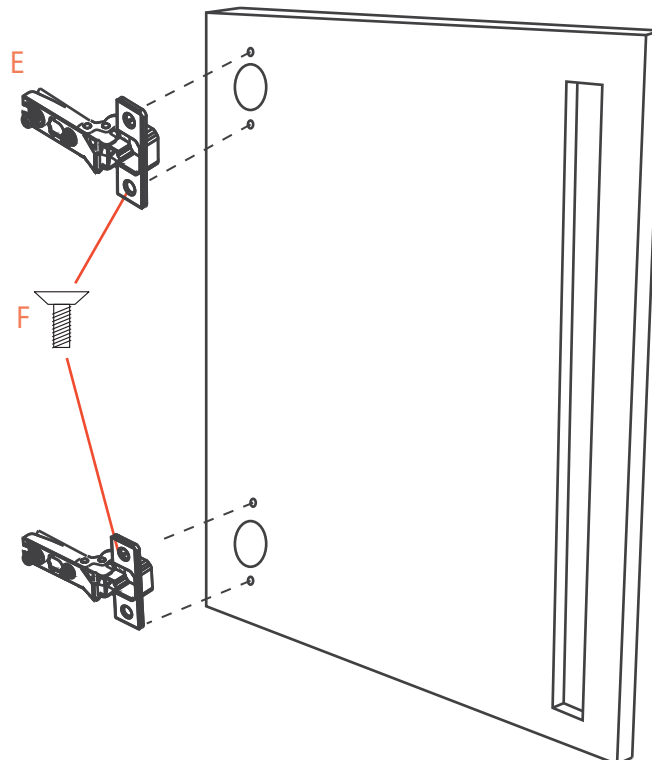


**5**

Attach Top

**HARDWARE A,B, C****6**

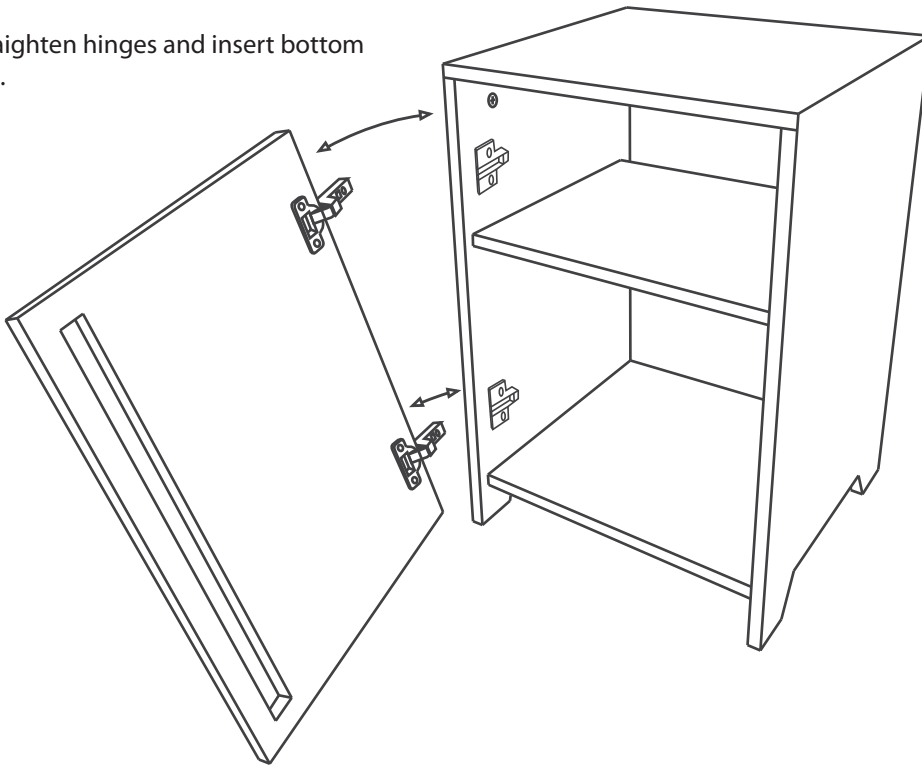
Attach Hinges to Door

**HARDWARE E + F**

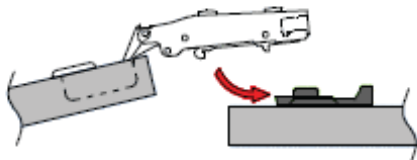
# 7

## Attach Door to Cabinet

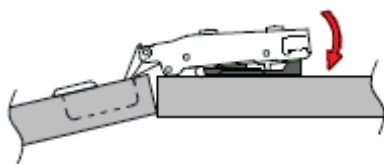
NOTE: Straighten hinges and insert bottom hinge first.



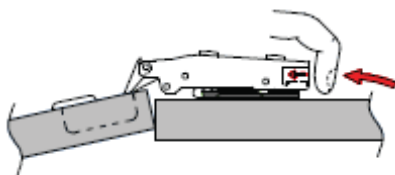
### Clip On Hinge Instructions



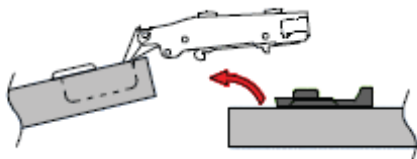
Clamp hinge on to the mounting plate as shown by direction arrow



Press down the hinge arm to lock the plate as shown



The door can be quickly removed by pushing the button

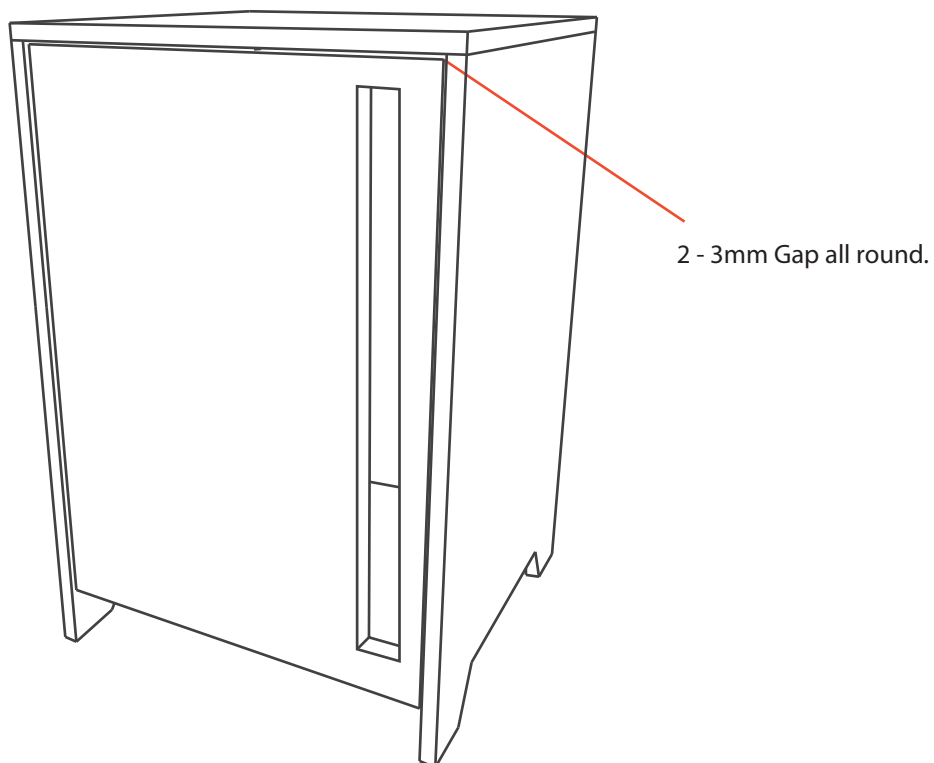
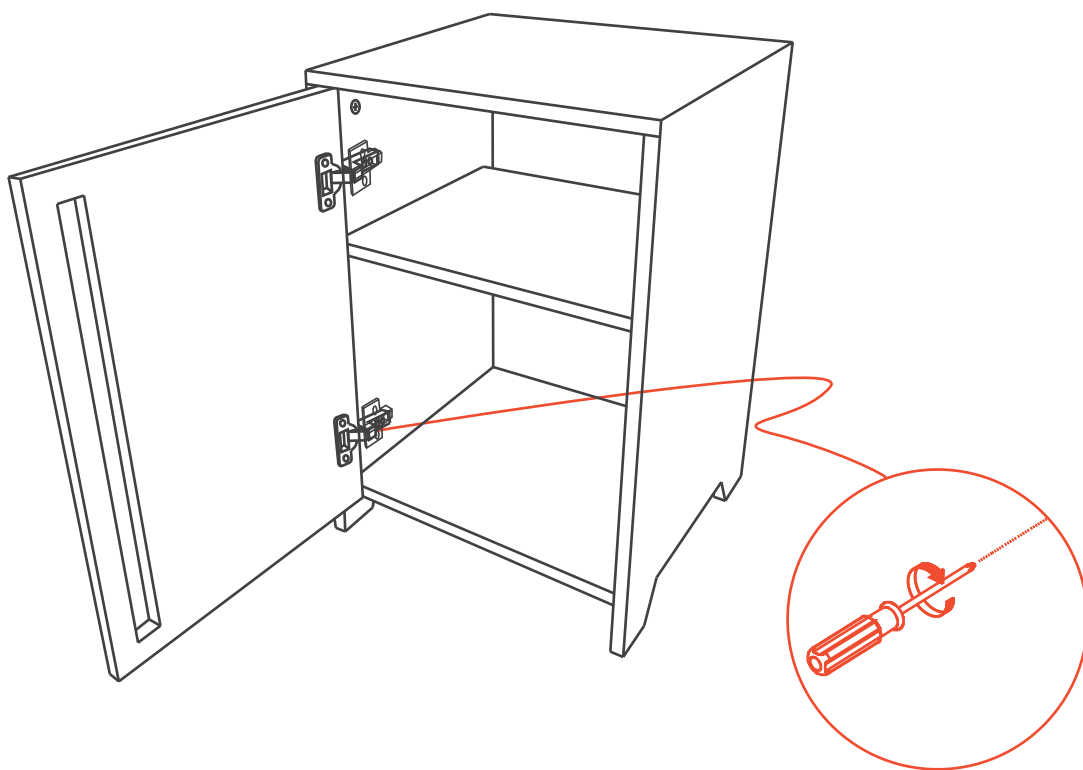


Unclipping the door from the mounting plate leaves all adjustments unaltered



## Adjust door hinges.

NOTE: You can adjust hinges; up, down, back, forward and sideways. Incremental adjustments does the trick.







JAY!!! YOU'RE ALL DONE, ENJOY!

Share a picture with us using #LOVESTRUKT



Popstrukt Furniture



@Popstrukt\_com



@popstrukt\_furniture



Popstrukt Furniture