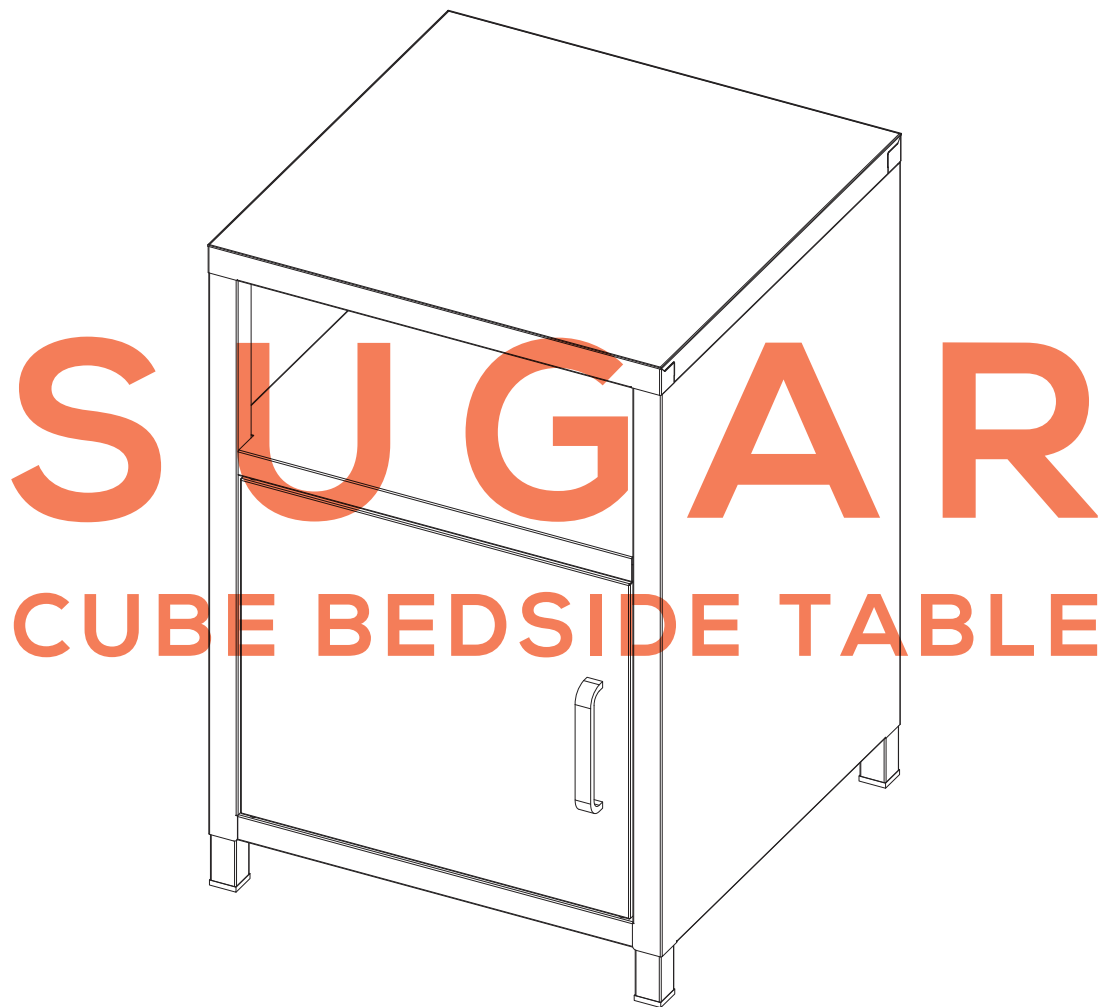
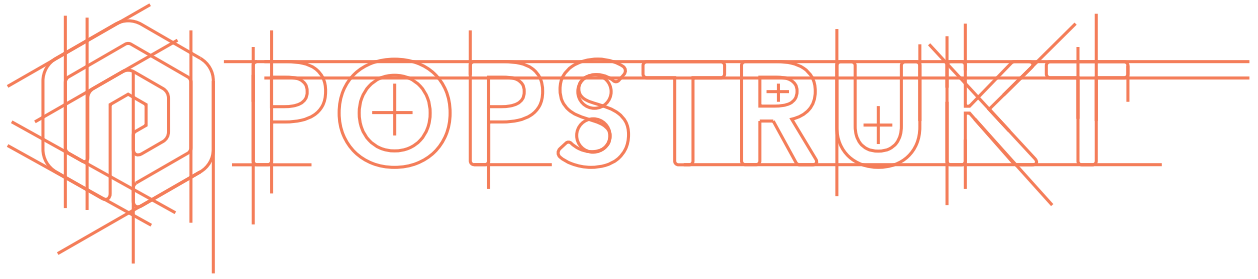
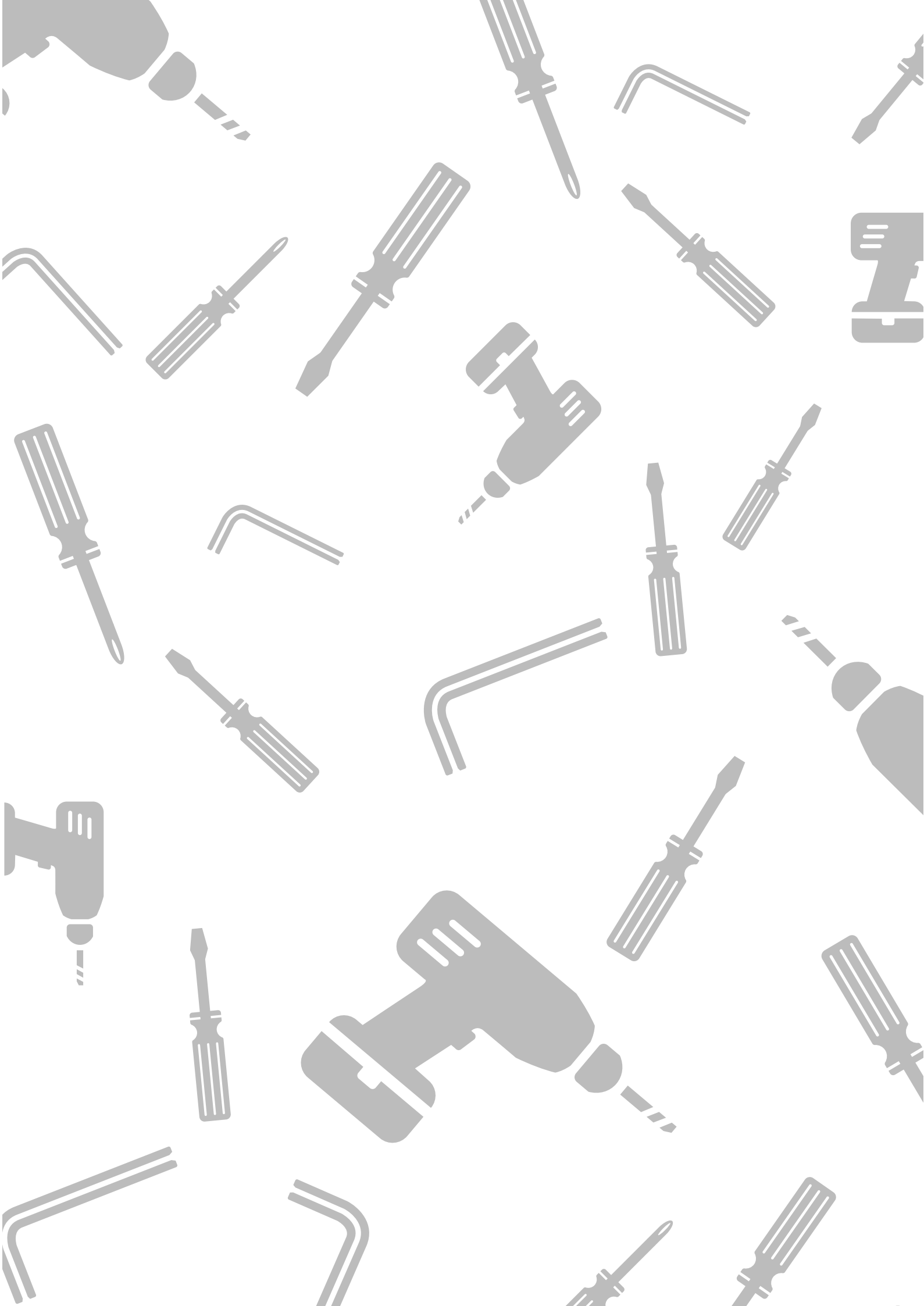


ASSEMBLY INSTRUCTIONS



CODE

PSSL_PS1D_BS



THE BASICS

First of all, **don't panic**, we've got you covered with simple step by step instructions to help you pop-up your new piece painlessly. We know a sack of bolts looks daunting but lets start with the basics.

ASSEMBLY RATING:



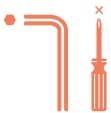
ASSEMBLY TIME:

30 MIN

PEOPLE REQUIRED:



TOOLS REQUIRED



OR



HANDYMAN

THE PROCESS



READY TOOLS
HANDY MAN



MAKE SPACE
2M X 2M



OPEN
PACKAGE



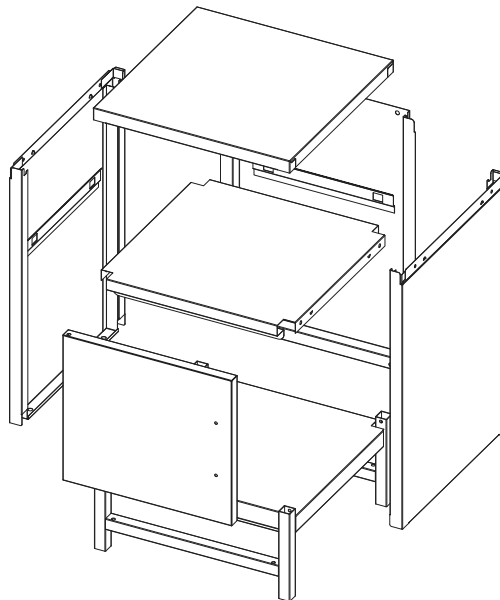
SEPERATE
SCREWS

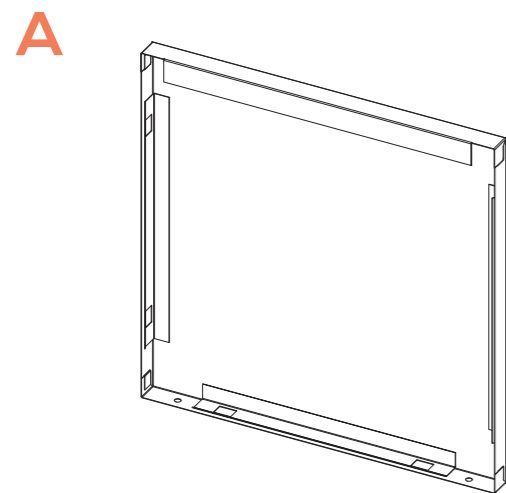


LAY OUT PIECES
THEN SORT PIECES
DO THIS ON A CARPET

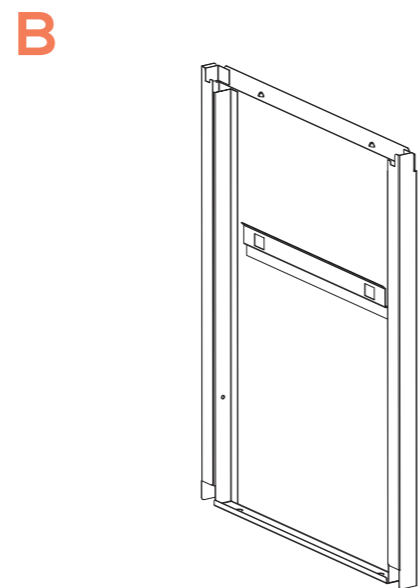


FOLLOW
INSTRUCTIONS

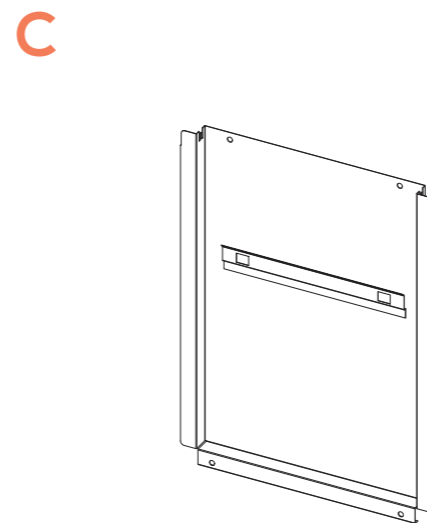




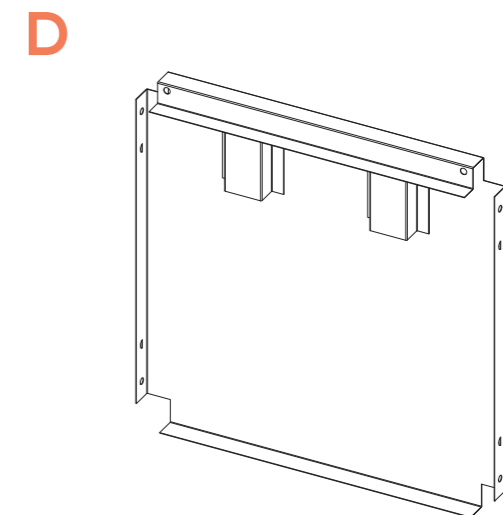
1PCS



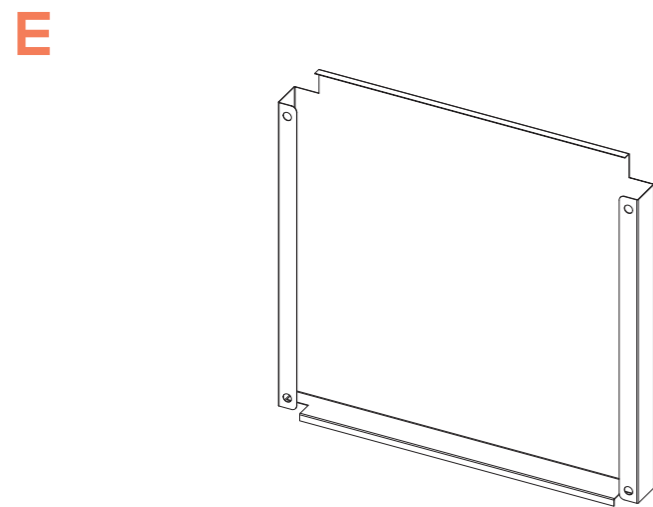
2PCS



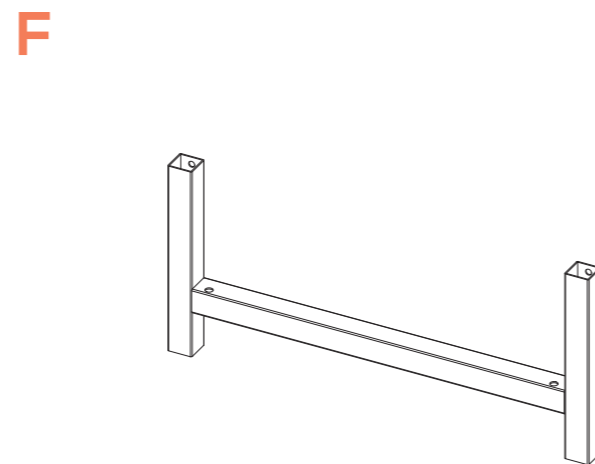
1PCS



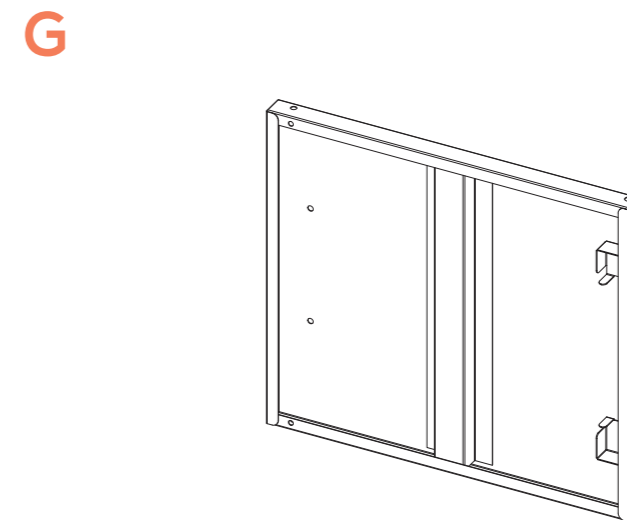
1PCS



1PCS



2PCS



1PCS



2PCS



1PCS



1PCS



2PCS



2PCS



2PCS



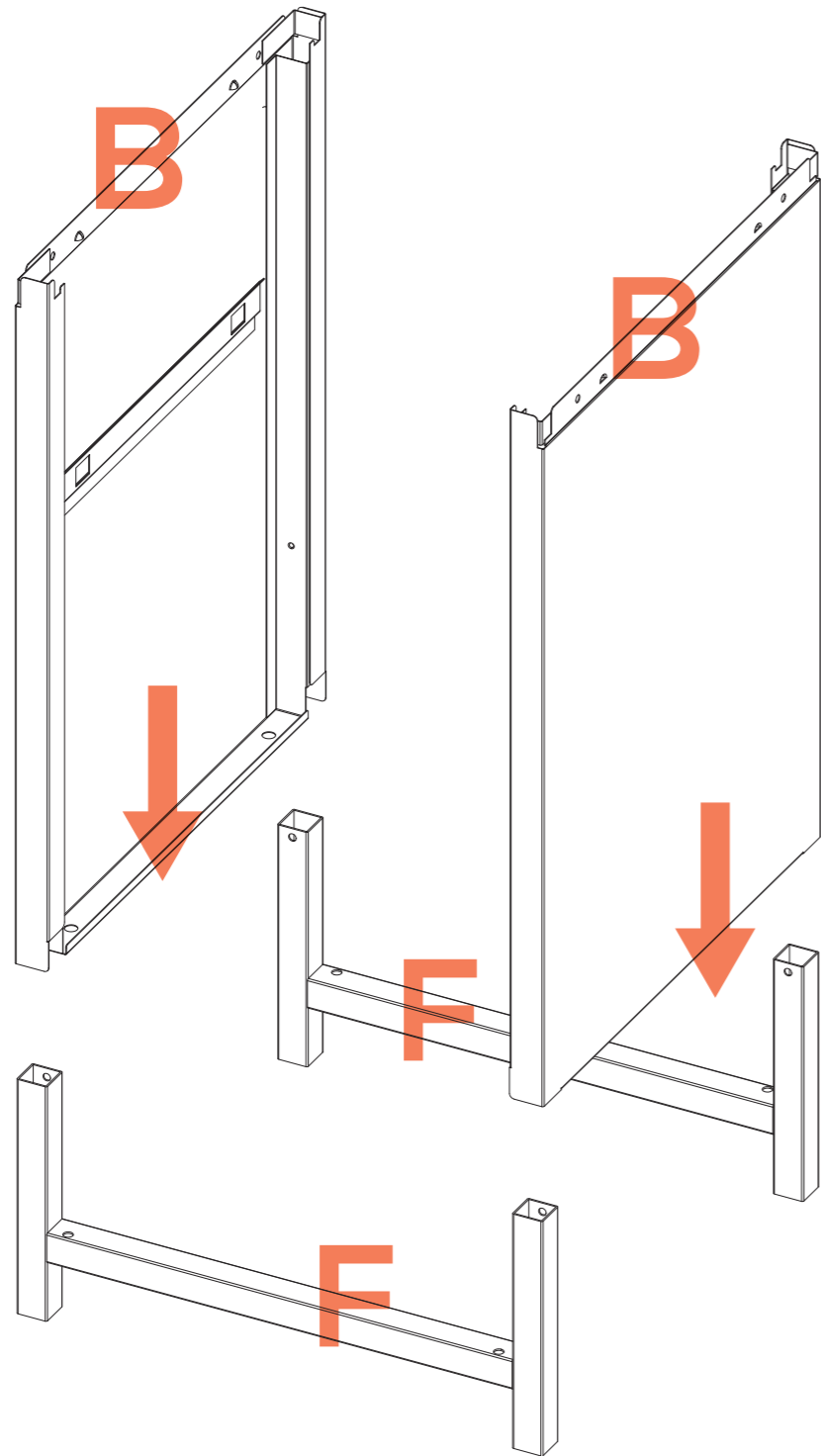
2PCS



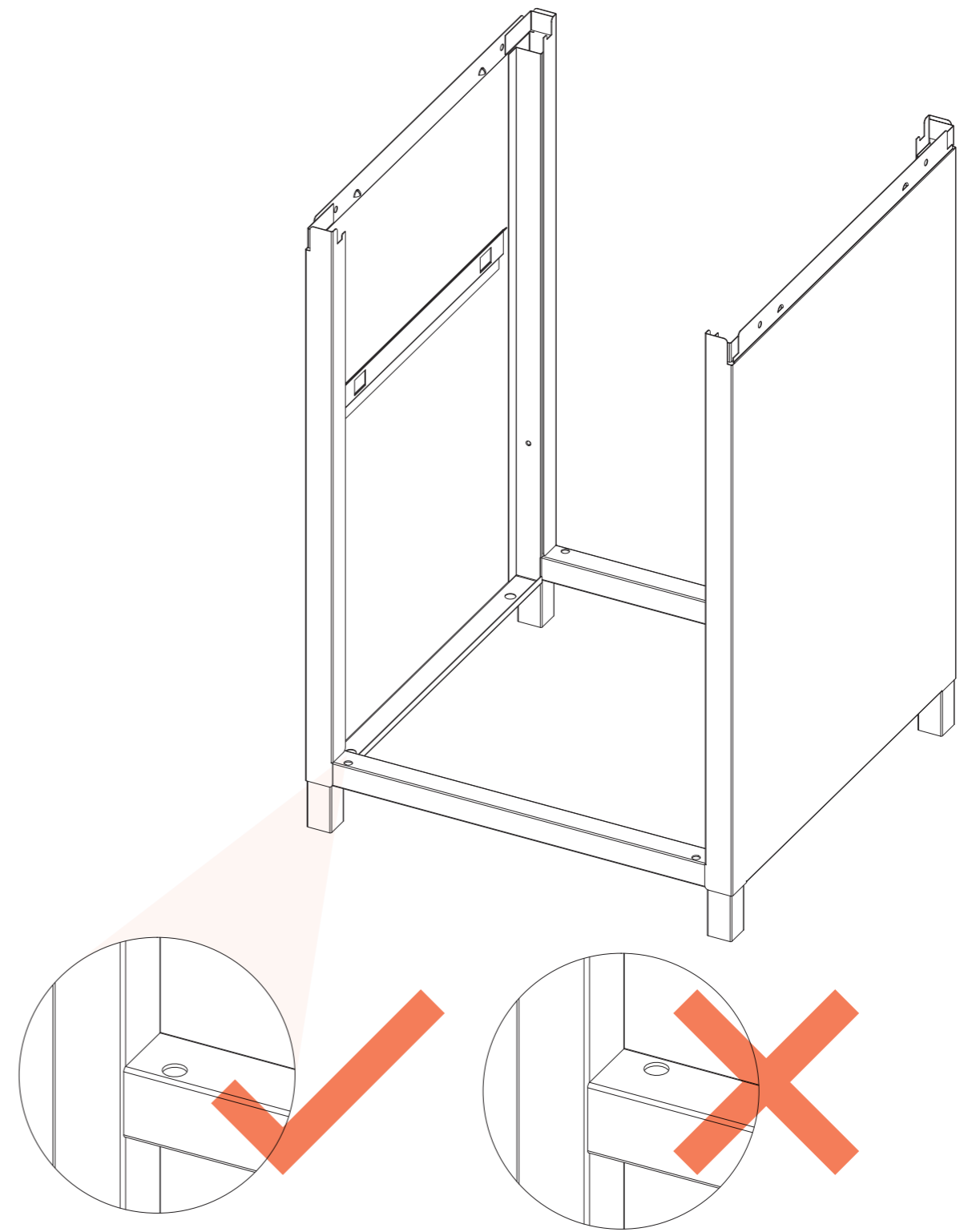
4PCS

ASSEMBLY

STEP 1

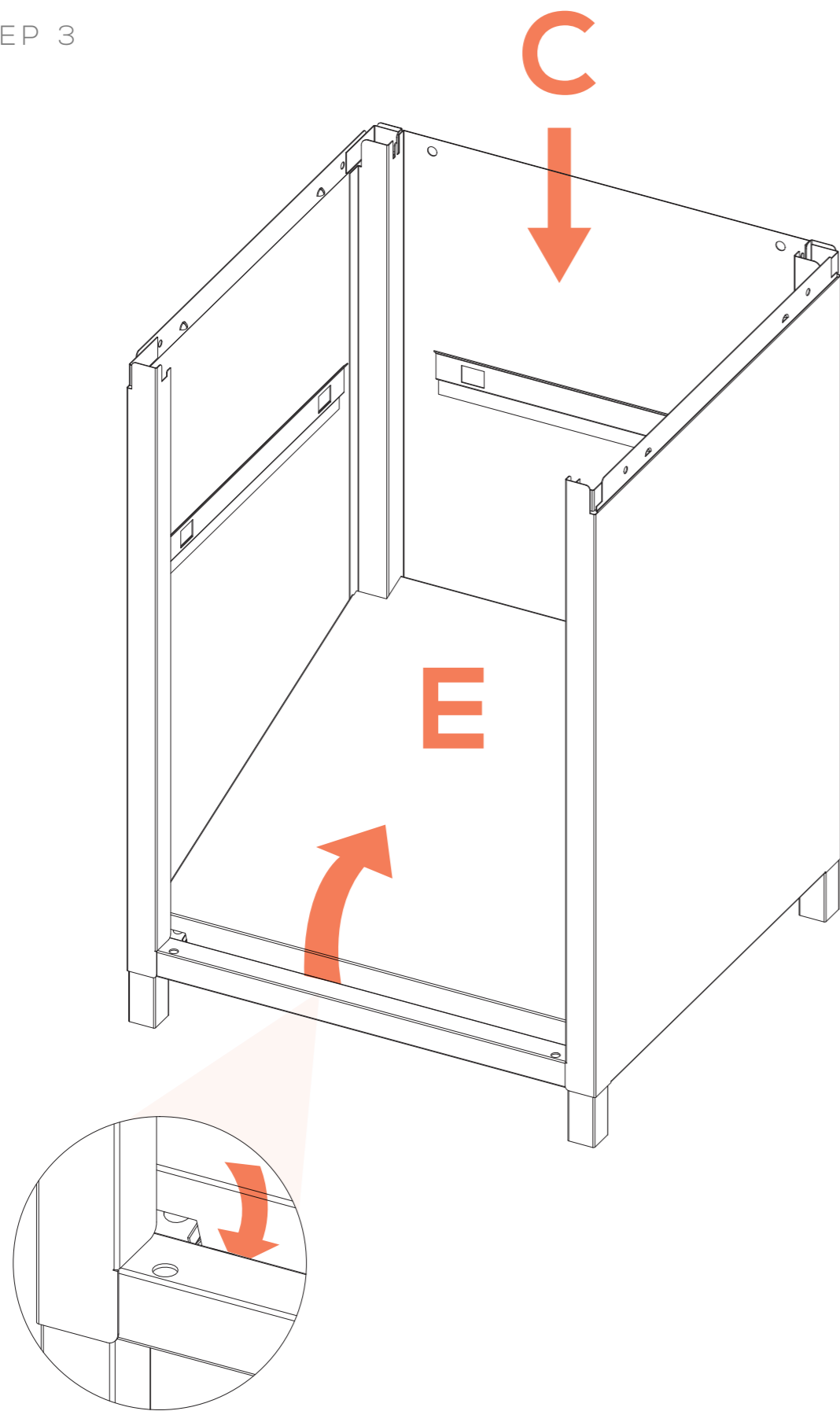


STEP 2

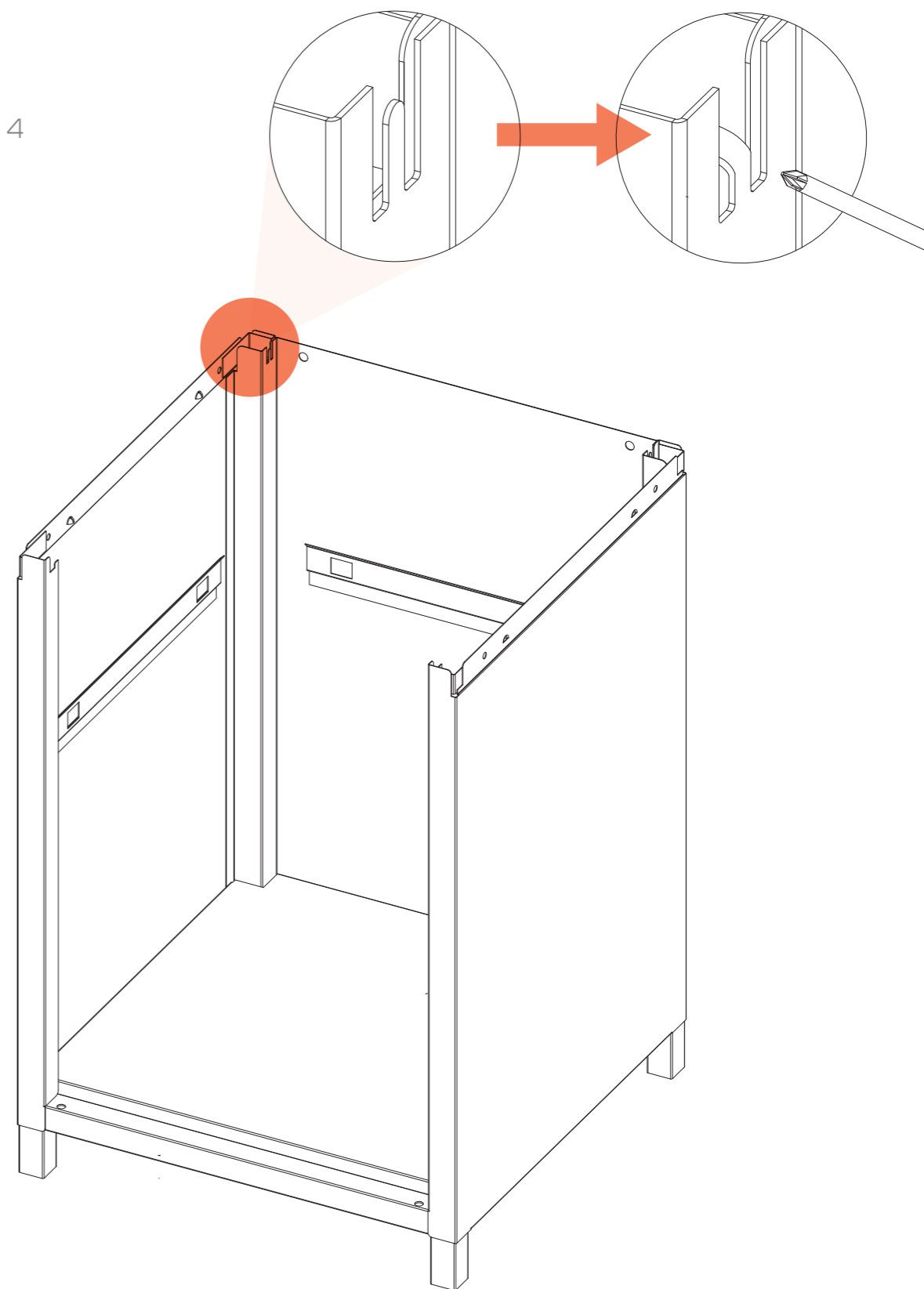


ASSEMBLY

STEP 3

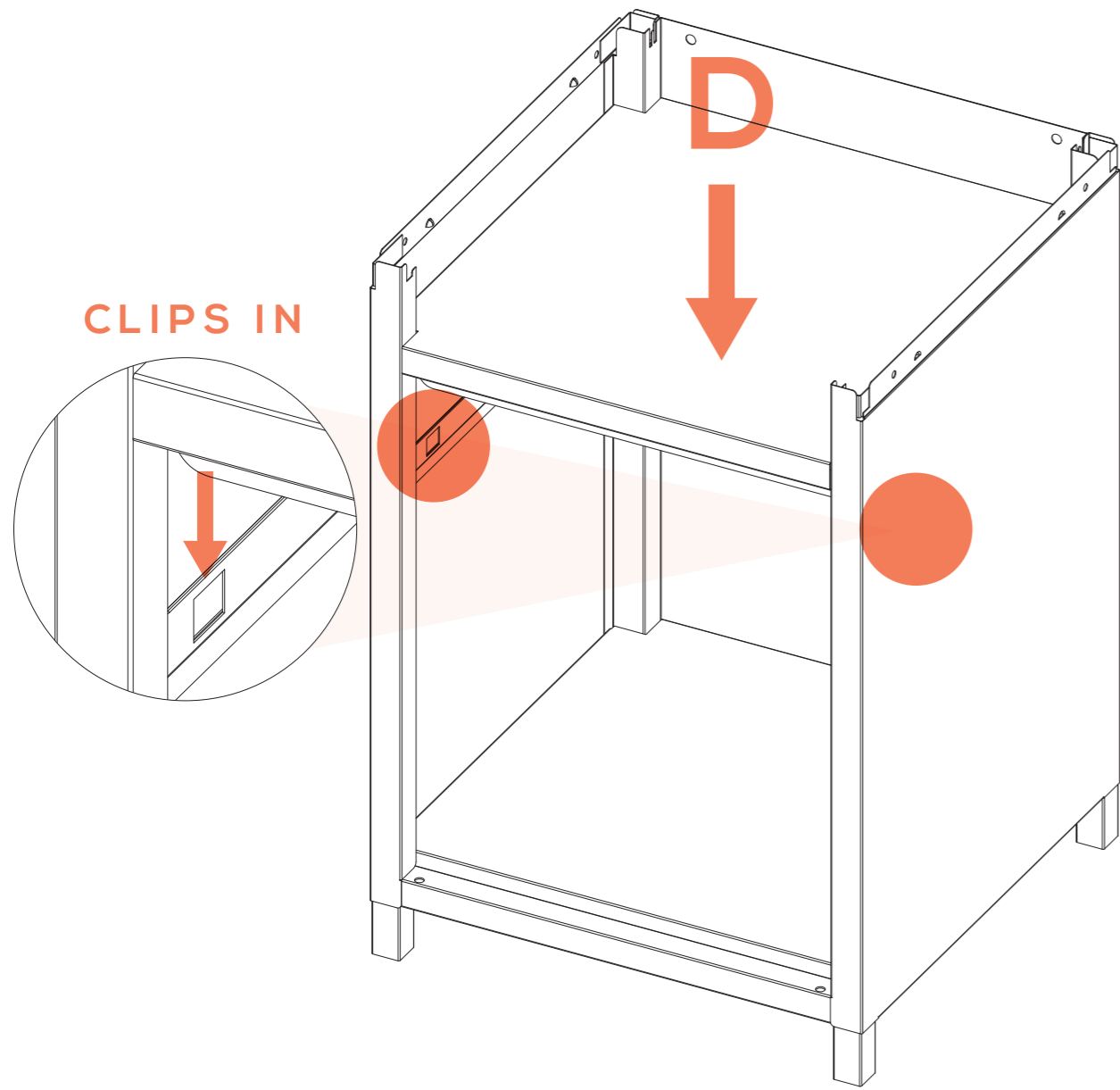


STEP 4

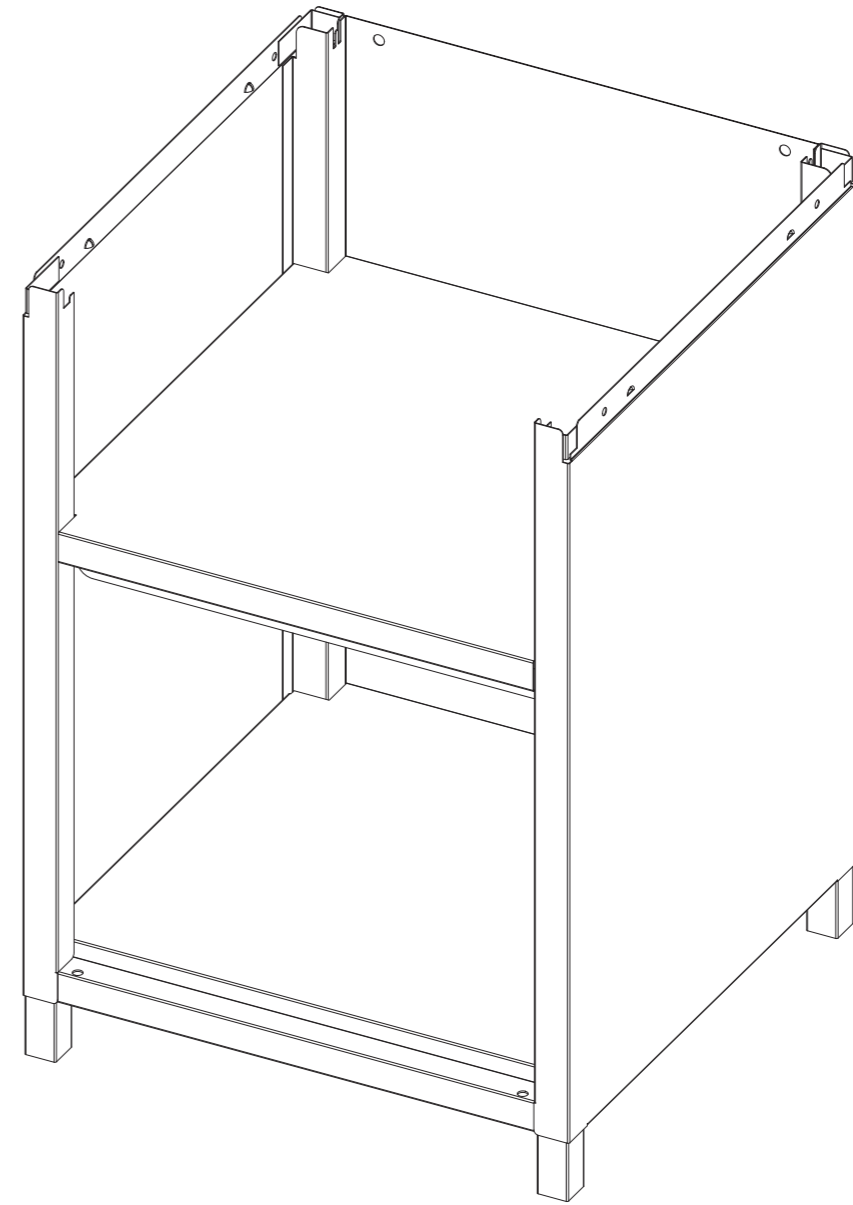


ASSEMBLY

STEP 5



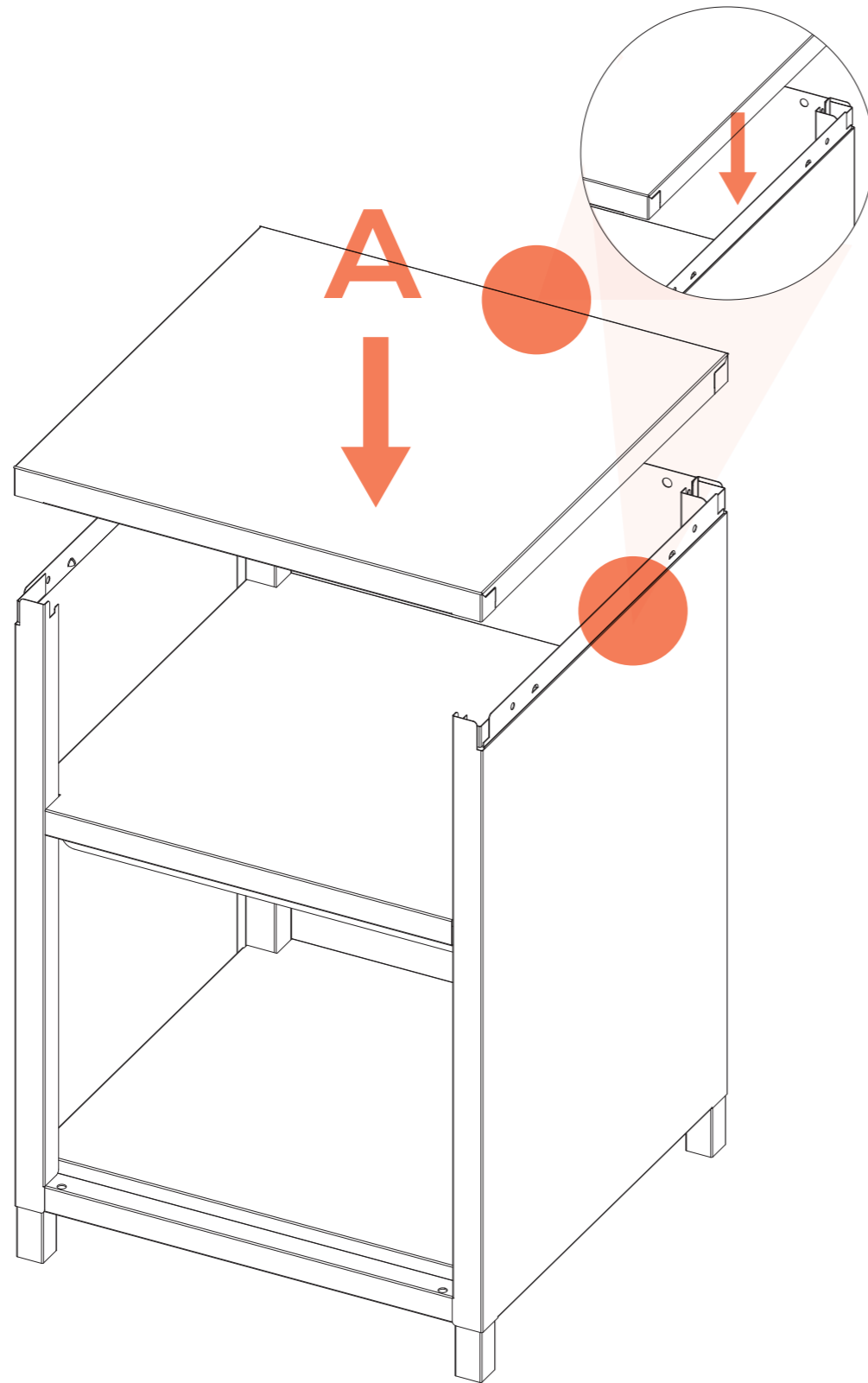
STEP 6



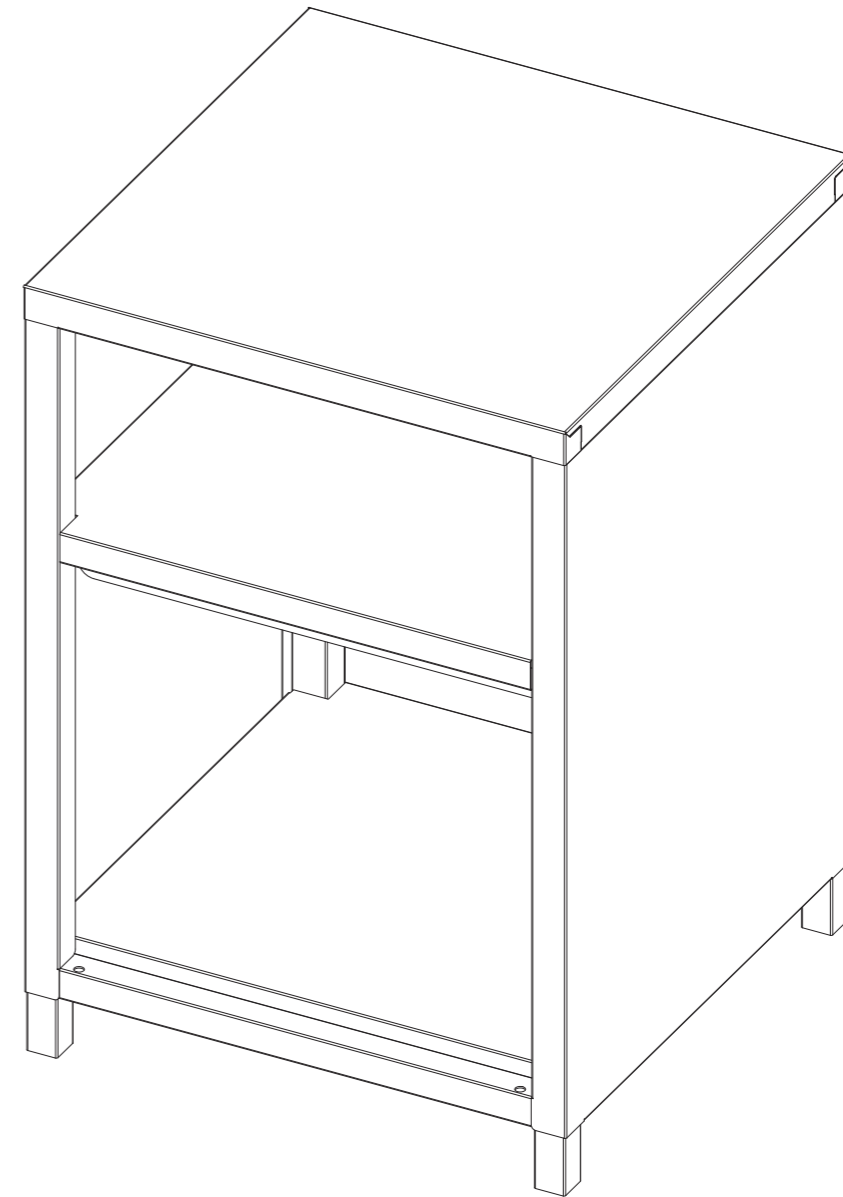
ASSEMBLY

STEP 7

CLIPS IN: SIDES FIRST

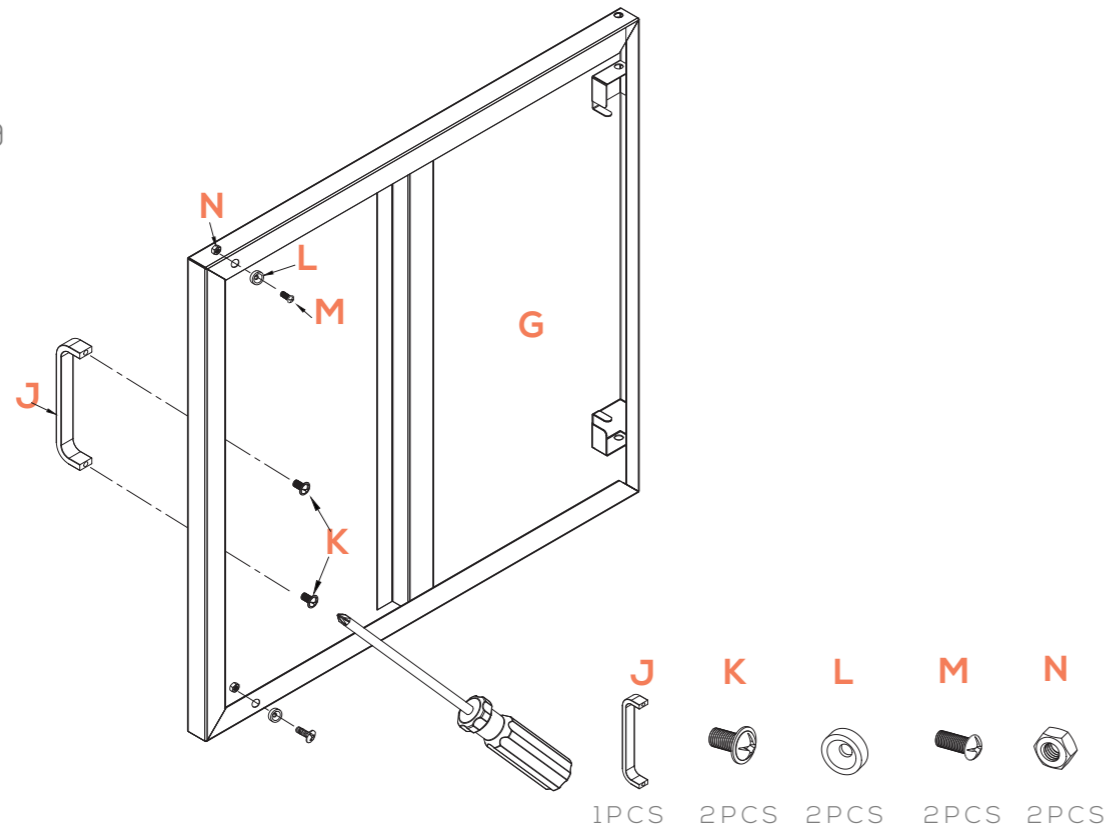


STEP 8

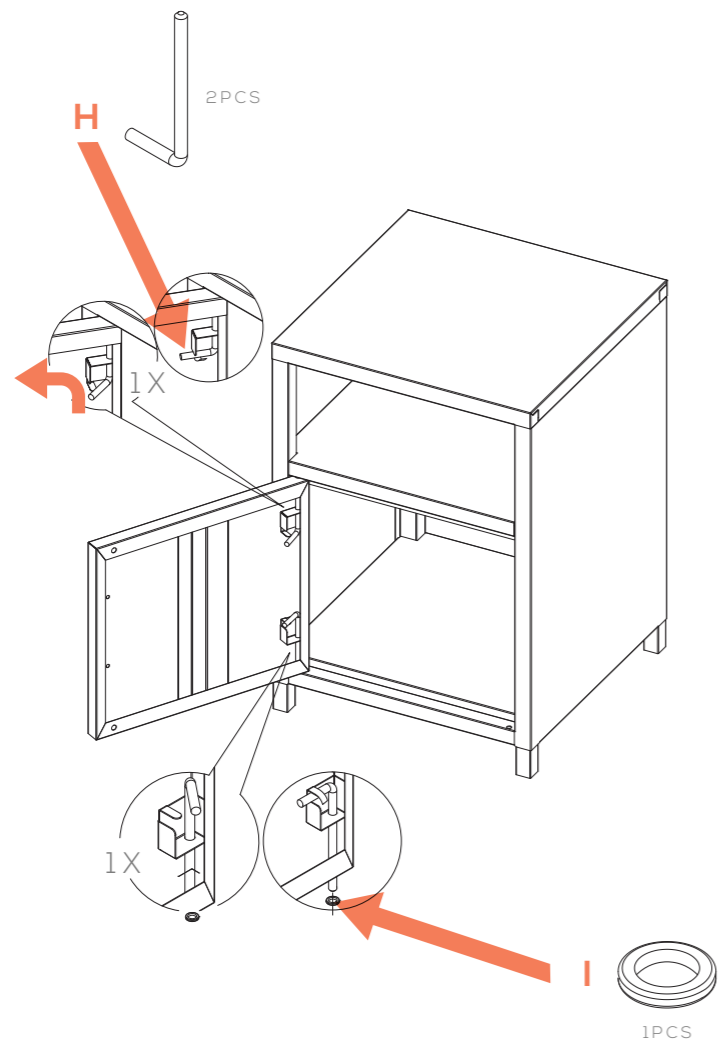


ASSEMBLY

STEP 9

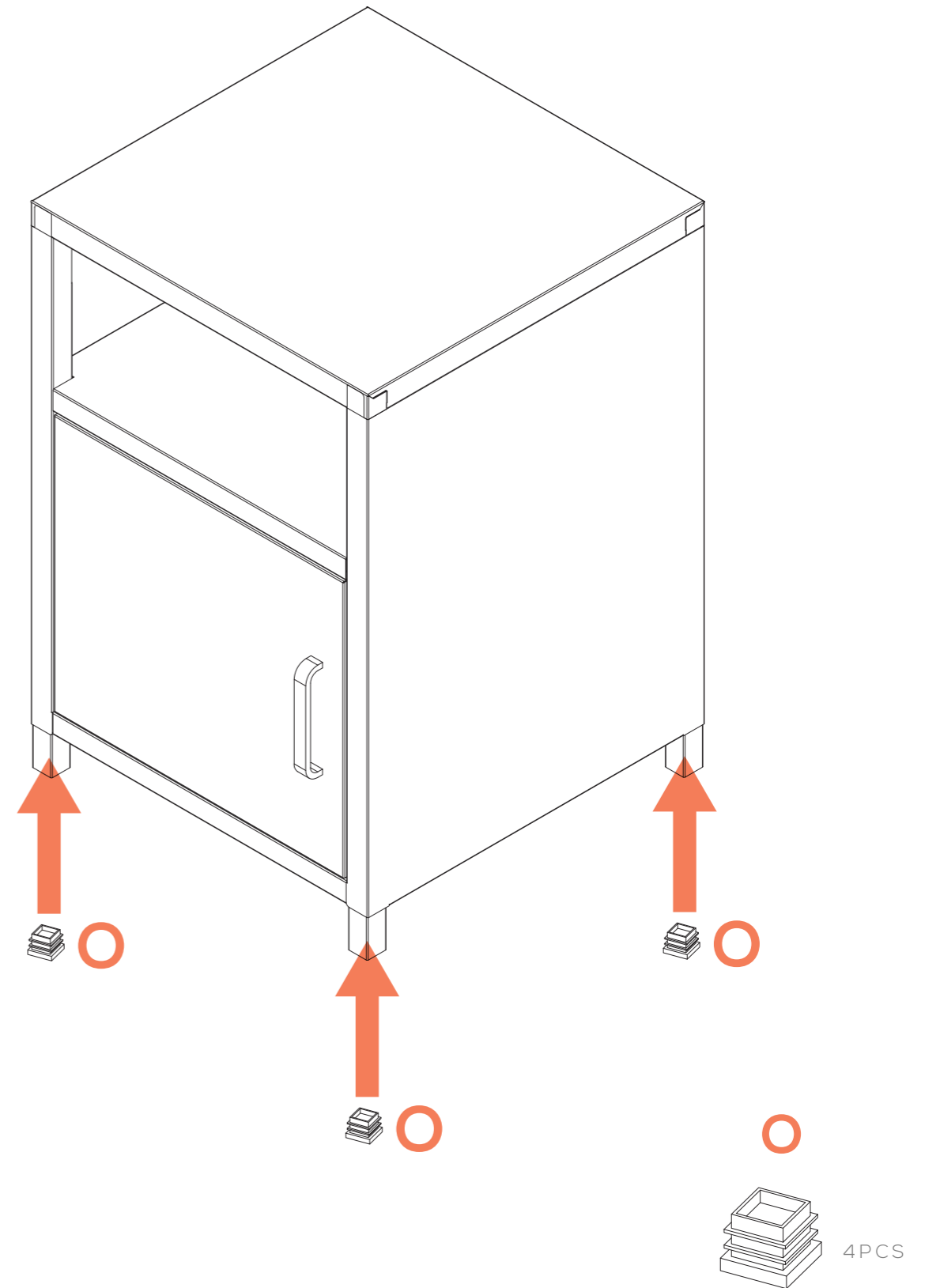


STEP 10



NOTE : PACKAGE MAY INCLUDE EXTRA SCREWS

STEP 11





POPSTRUKT

YOU'RE ALL DONE
ENJOY

Share a pic of your **new piece**
with us and stand a chance to **WIN.**



POPSTRUKT FURNITURE



@POPSTRUKT_COM



@POPSTRUKT_FURNITURE



POPSTRUKT FURNITURE



#LOVESTRUKT