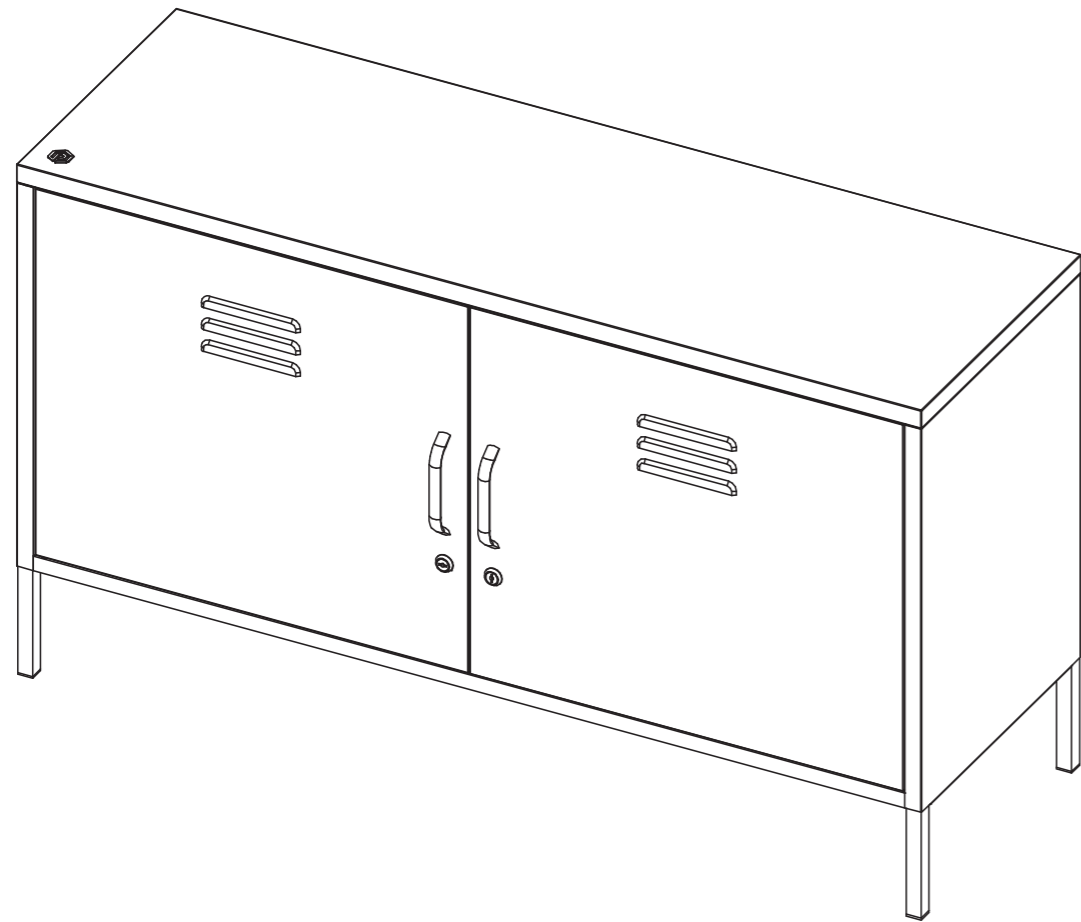


ASSEMBLY INSTRUCTIONS



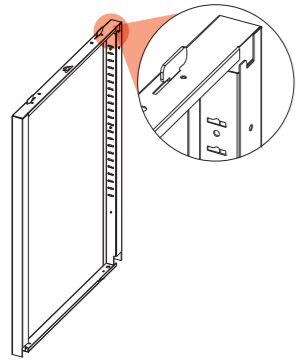
MEDIA UNIT / SIDEBOARD



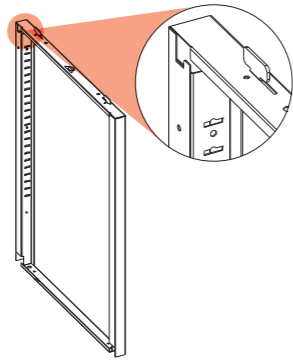
CODE
CC18A



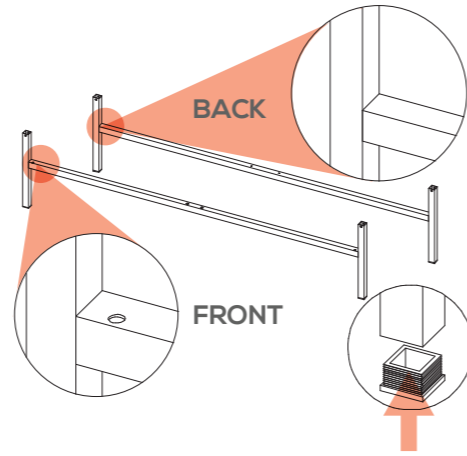
FOR DETAILED ASSEMBLY VIDEOS,
SEARCH POPSTRUKT ON YOUTUBE



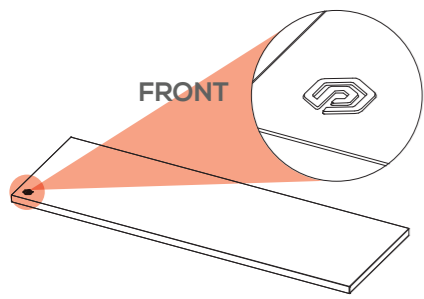
LEFT SIDE PLATE: **1PC**



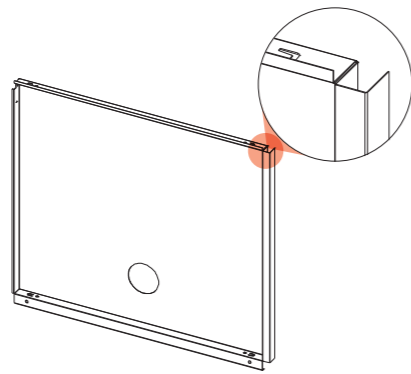
RIGHT SIDE PLATE: **1PC**



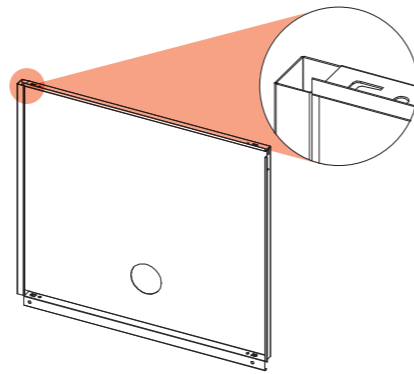
FRONT AND BACK BASE: **2PCS**



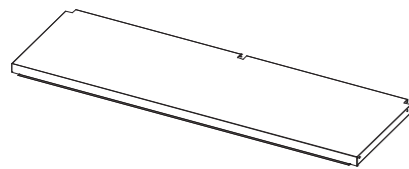
TOP PLATE: **1PC**



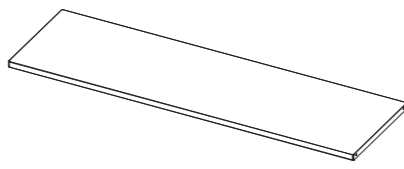
LEFT BACK PLATE: **1PC**



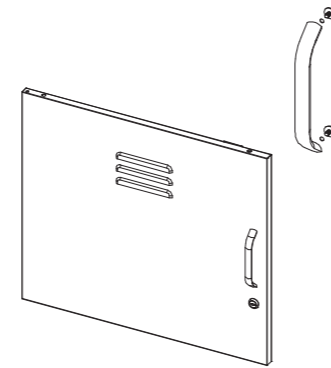
RIGHT BACK PLATE: **1PC**



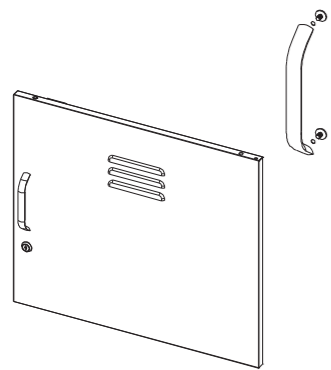
BOTTOM PLATE: **1PC**



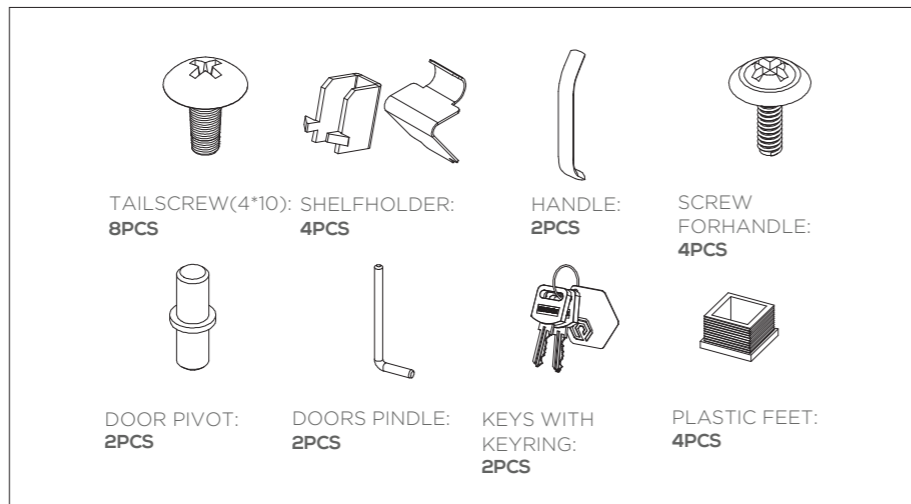
SHELF: **1PC**



LEFT DOOR: **1PC**

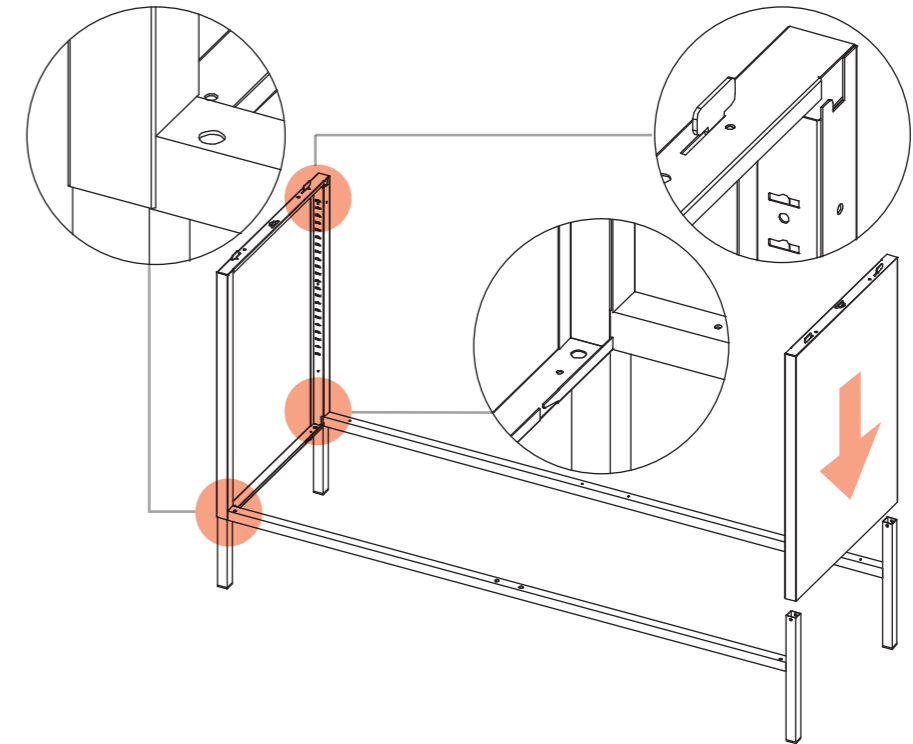


RIGHT DOOR: **1PC**



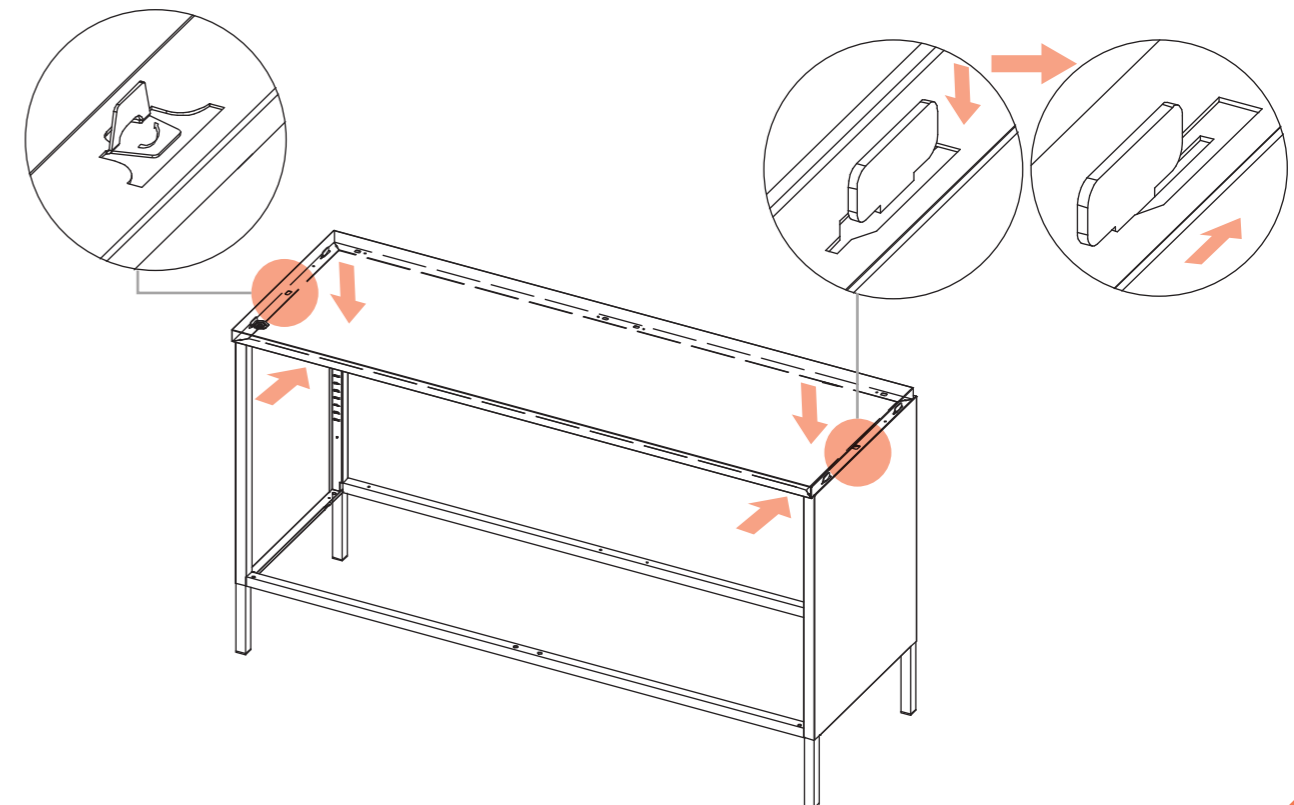
STEP 1

CONNECT THE LEFT AND RIGHT SIDE PLATES WITH FRONT AND BACK BASE.



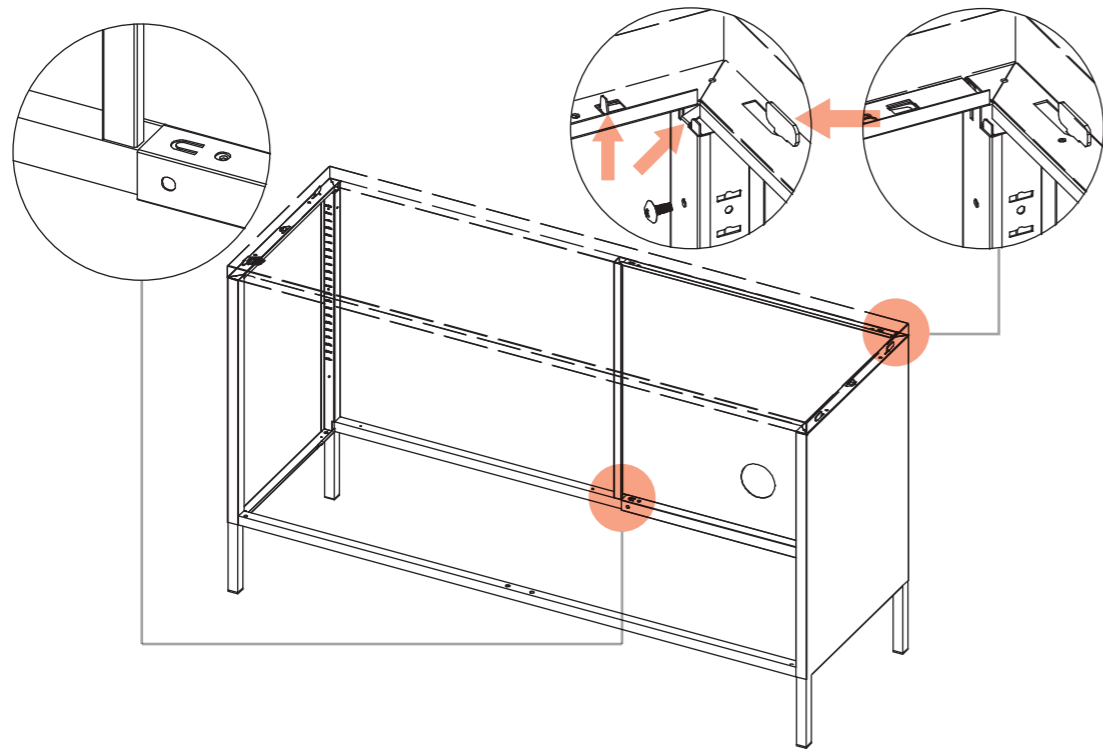
STEP 2

PUT THE TOP PLATE ON TO THE LEFT AND RIGHT SIDE PLATES.



STEP 3

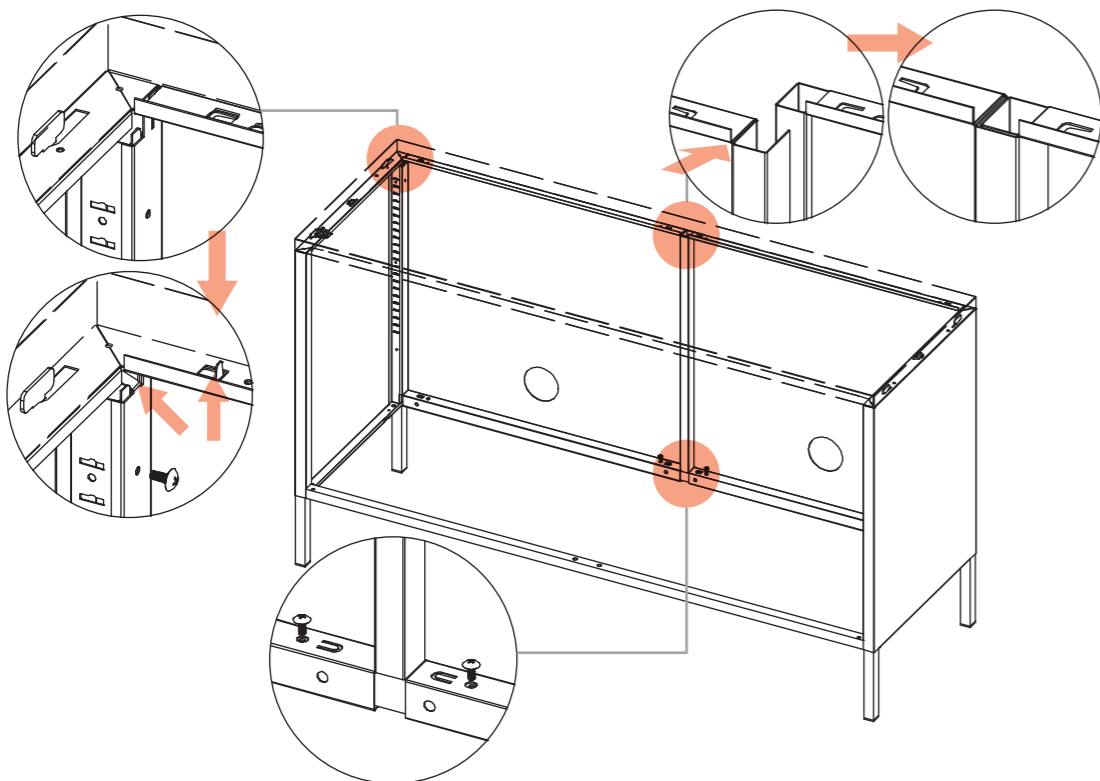
INSTALL THE RIGHT BACK PLATE BY TAIL SCREWS.



STEP 4

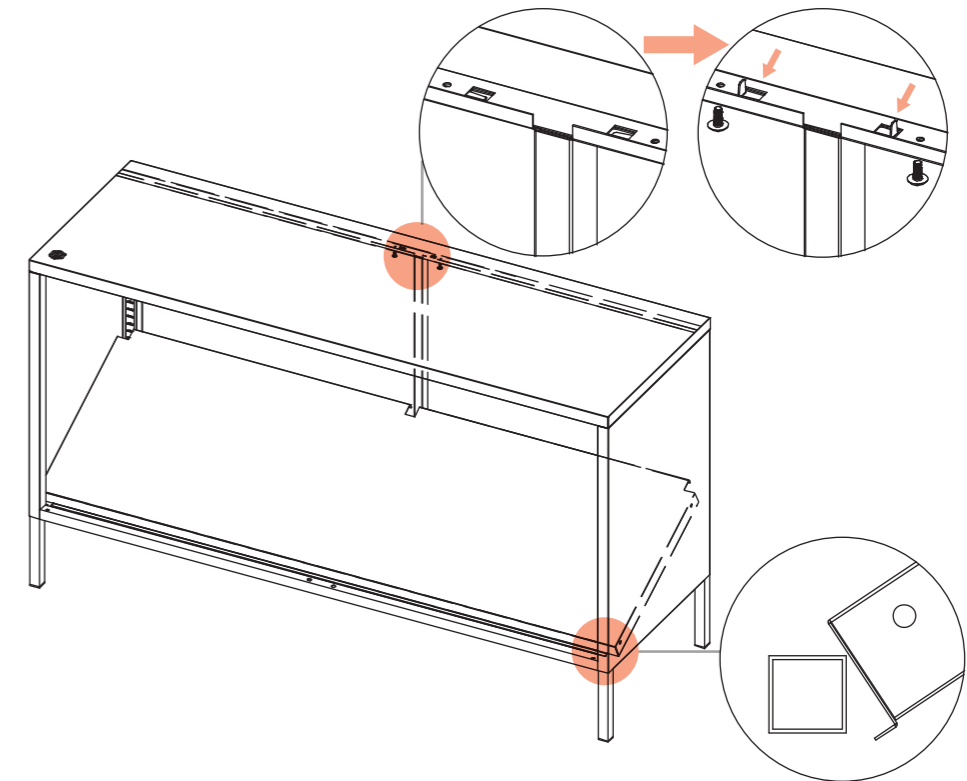
INSTALL THE LEFT BACK PLATE BY TAIL SCREWS.

NOTE: THESE ARE SELF TAPPING SCREWS AND WILL TURN FREELY AFTER TWO OR THREE TURNS.



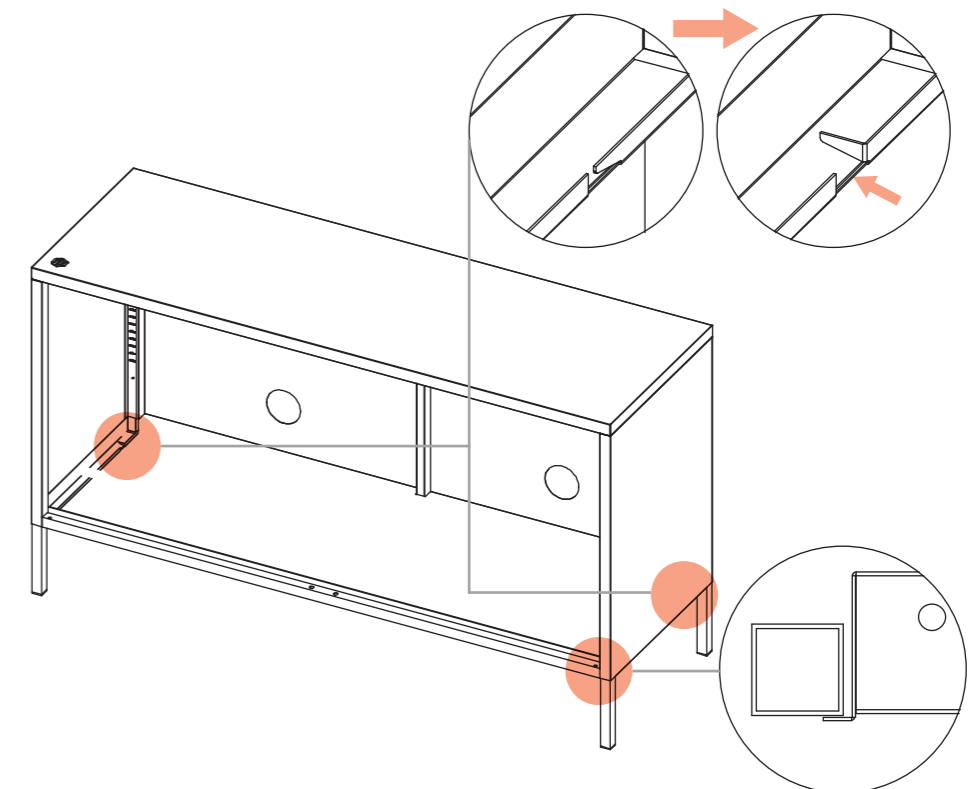
STEP 5

INSTALL THE BOTTOM PLATE



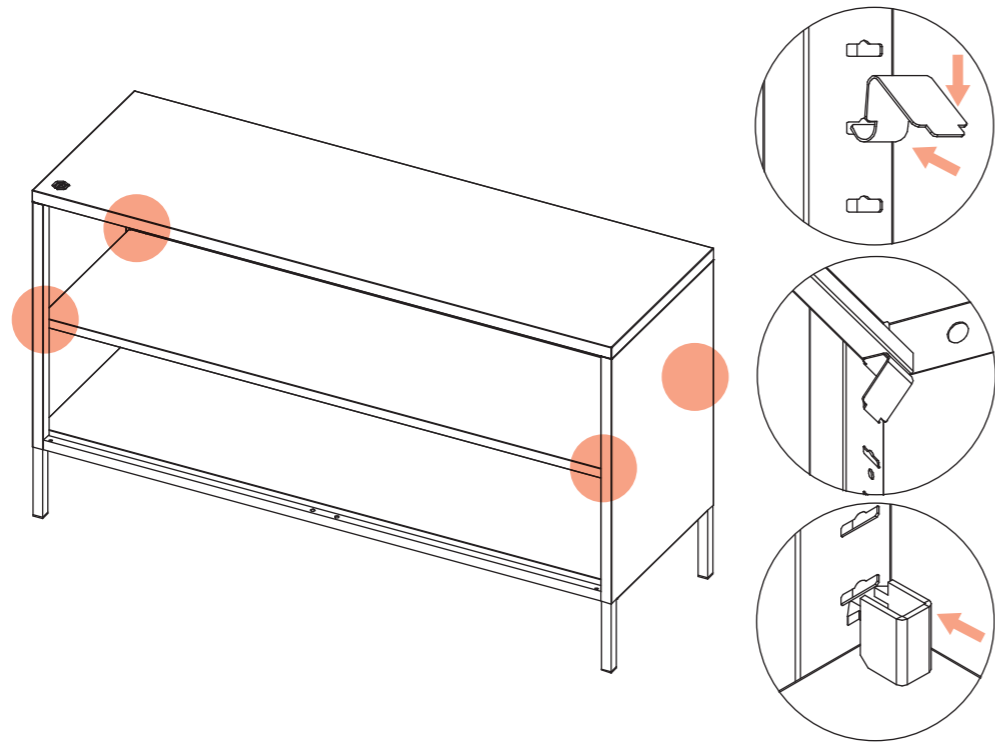
STEP 6

FIX THE BOTTOM PLATE WITH THE BUCKLE OF THE BOTTOM SIDE PLATE



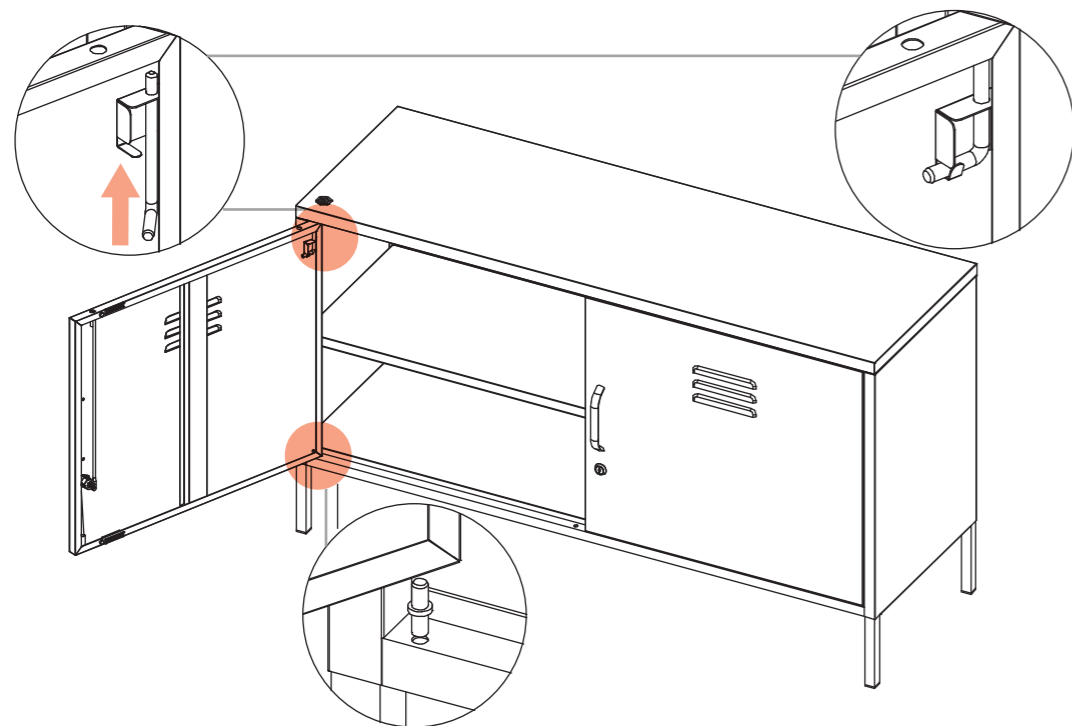
STEP 7

INSTALL THE SHELF



STEP 8

INSTALL THE DOOR AND ADJUST EACH PART UNTIL DOOR IS FIXED IN POSITION.



Finish en klaar.

NEED HELP?

Please visit

www.popstrukt.com/resources

for assembly instructions & product care tips.

TAG US

Tag us on Instagram

[@POPSTRUKT.FURNITURE](https://www.instagram.com/POPSTRUKT.FURNITURE)

and show us your assembly journey.



POPSTRUKT FURNITURE



@POPSTRUKT.FURNITURE



POPSTRUKT FURNITURE



SEE "HOW TO" SECTION ON POPSTRUKT YOUTUBE PAGE FOR PRODUCT ADJUSTMENT TIPS.

Please visit www.popstrukt.com/instructions section for more information