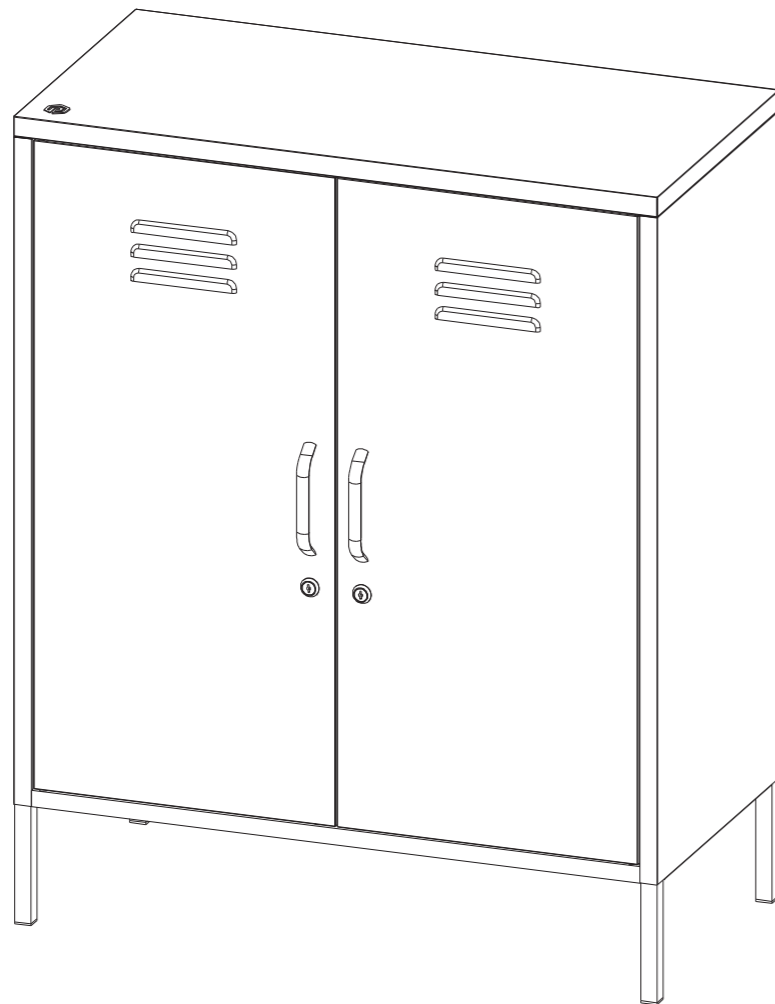


ASSEMBLY INSTRUCTIONS



NOUGAT STORAGE CABINET



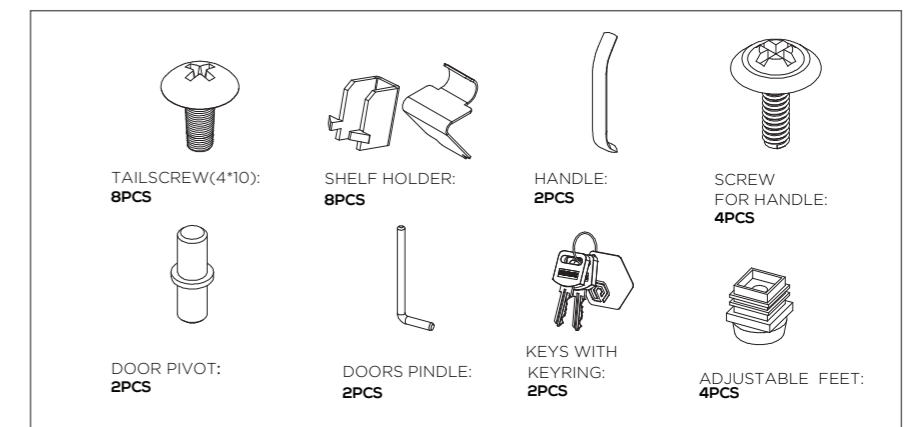
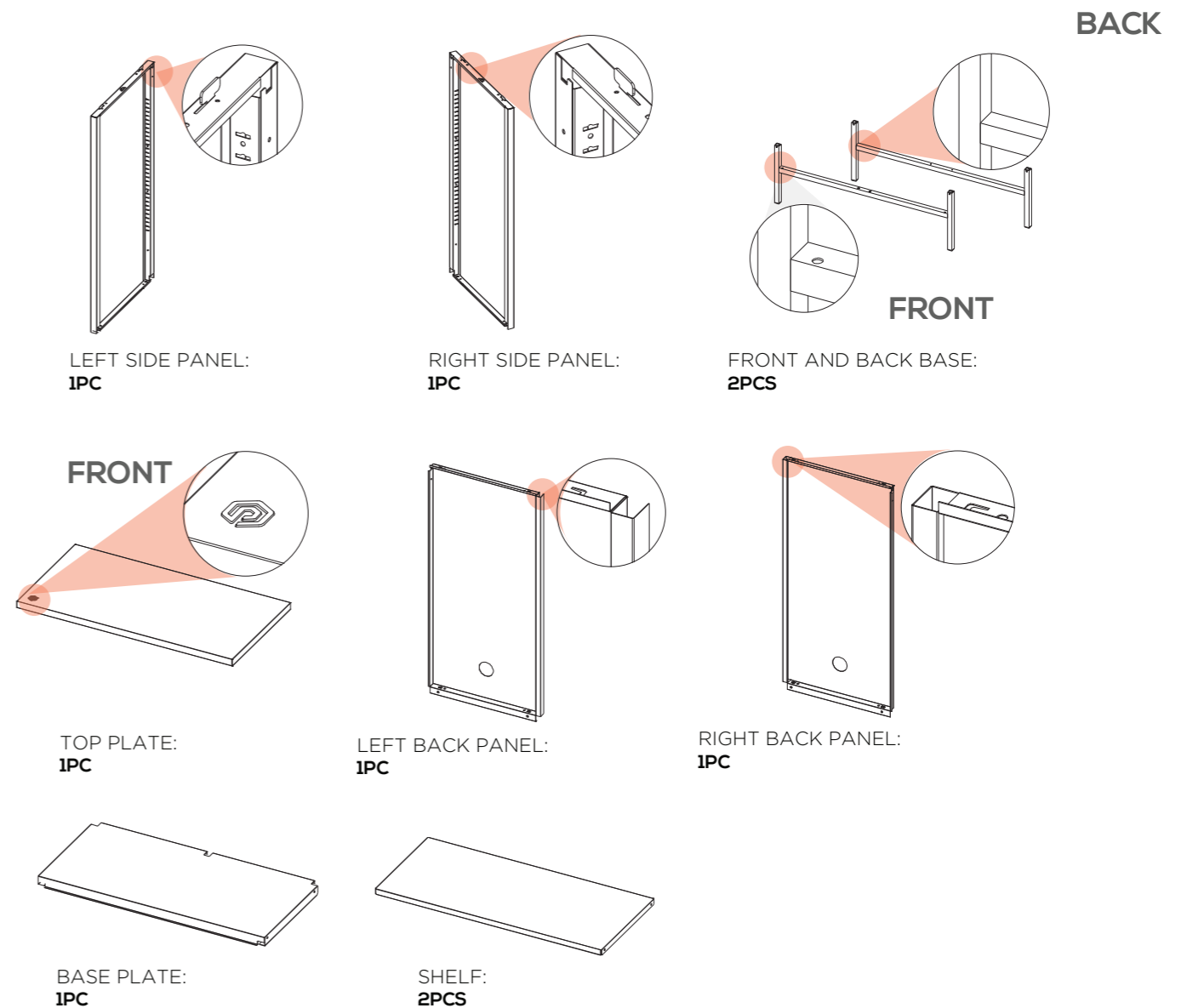
CODE | CLK01

Please visit www.popstrukt.com > Resources tab for more information.

WARNING



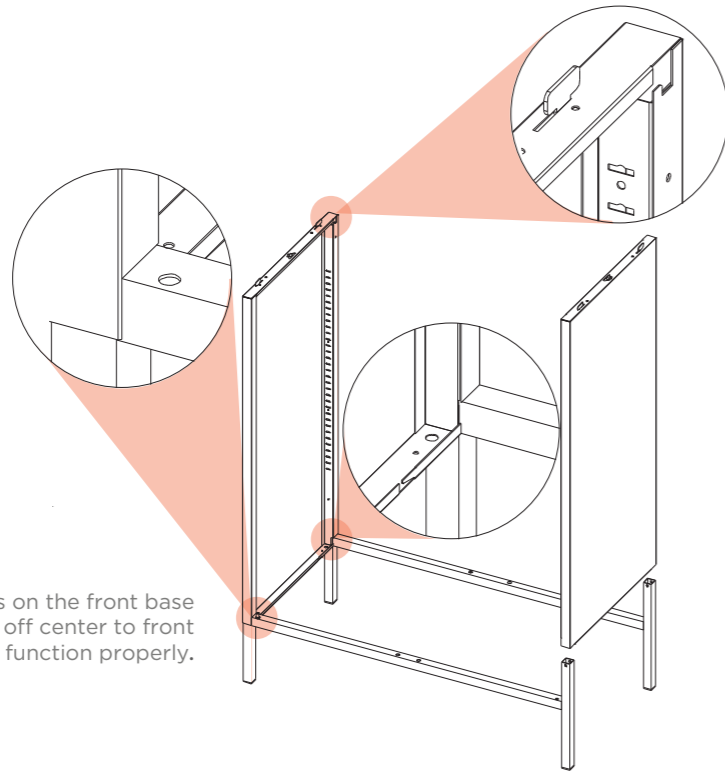
SERIOUS OR FATAL CRUSHING INJURIES CAN OCCUR FROM FURNITURE TIP-OVER. TO PREVENT THIS FURNITURE FROM TIPPING OVER IT MUST BE PERMANENTLY FIXED TO THE WALL. BASIC FIXING DEVICES FOR BRICK WALLS ARE INCLUDED. HOWEVER SINCE DIFFERENT WALL MATERIALS REQUIRE DIFFERENT TYPES OF FIXING DEVICES USE FIXING DEVICES SUITABLE FOR THE WALLS IN YOUR HOME. FOR ADVICE ON SUITABLE FIXING SYSTEMS, CONTACT YOUR LOCAL SPECIALIZED HARDWARE DEALER



Please visit www.popstrukt.com > Resources tab for more information.

STEP 1

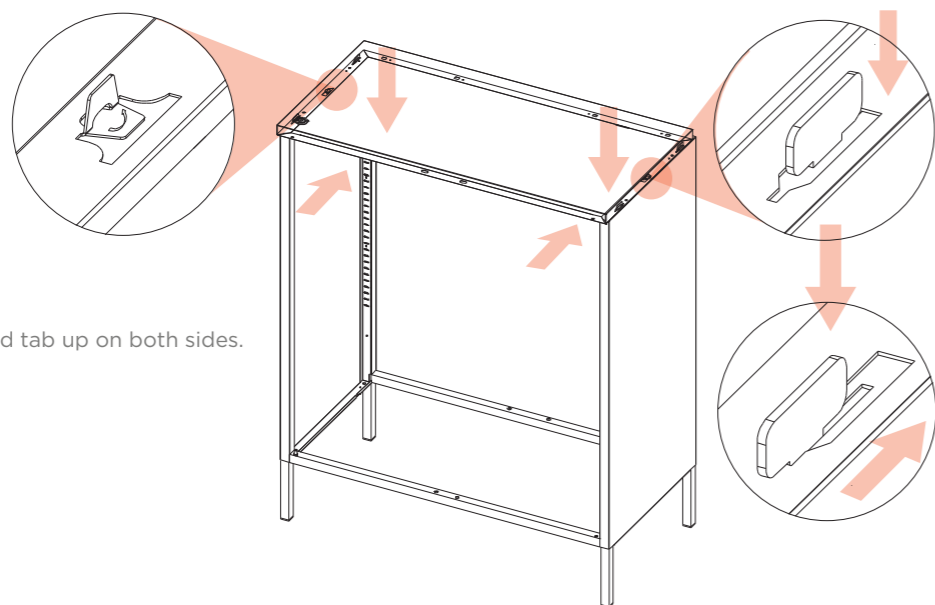
CONNECT THE LEFT AND RIGHT SIDE PANELS WITH FRONT AND BACK BASE.



NB!!! The holes on the front base must be positioned off center to front of unit, for doors to function properly.

STEP 2

INSTALL TOP ONTO LEFT AND RIGHT SIDE PANELS AS SHOWN.

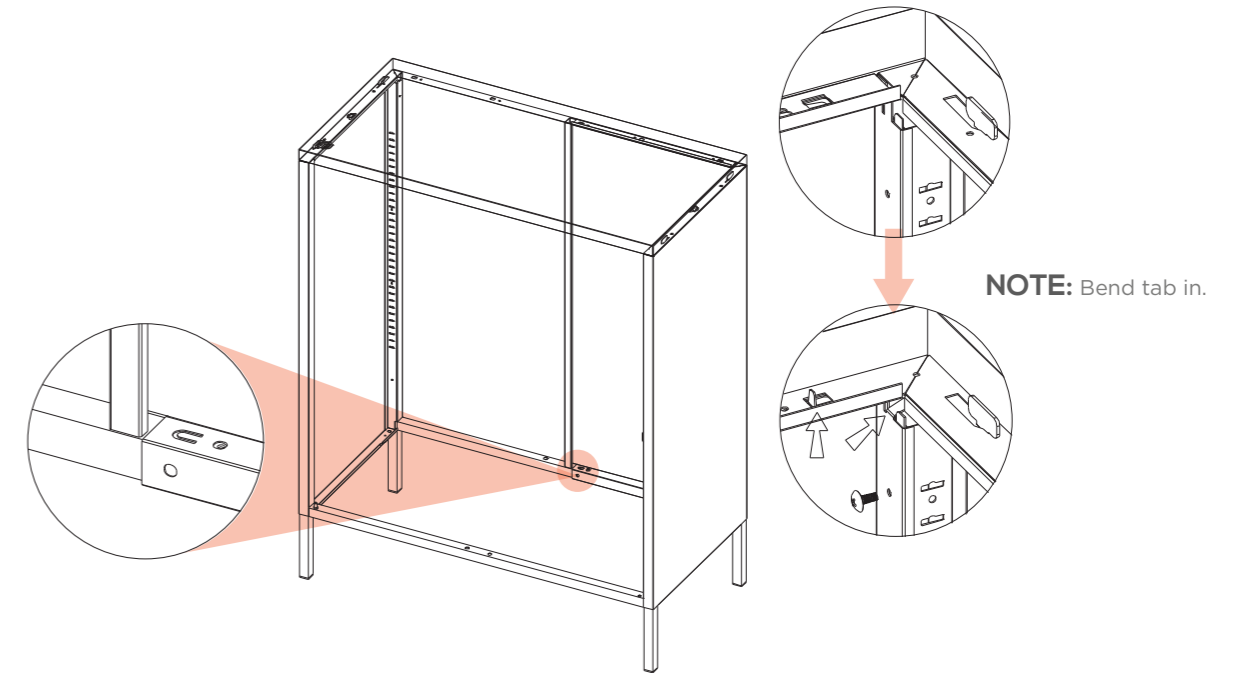


NOTE: Bend tab up on both sides.

TIP: Use the palm of your hand to knock top into place.

STEP 3

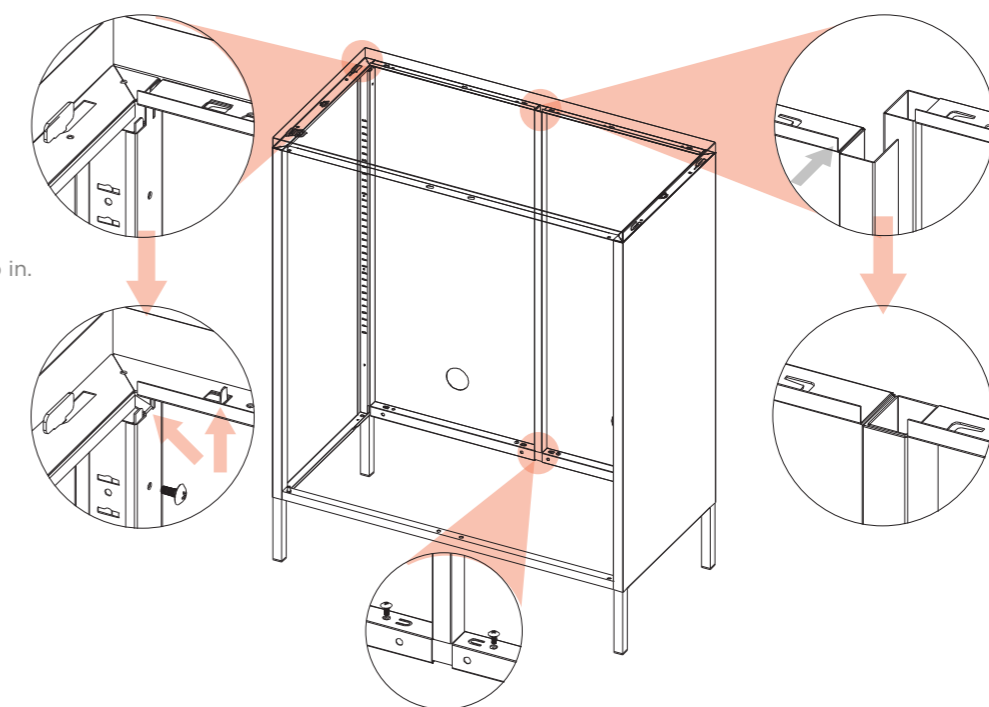
INSTALL RIGHT BACK PANEL FIRST USING SELF TAPPING SCREWS WHERE SHOWN.



NOTE: Bend tab in.

STEP 4

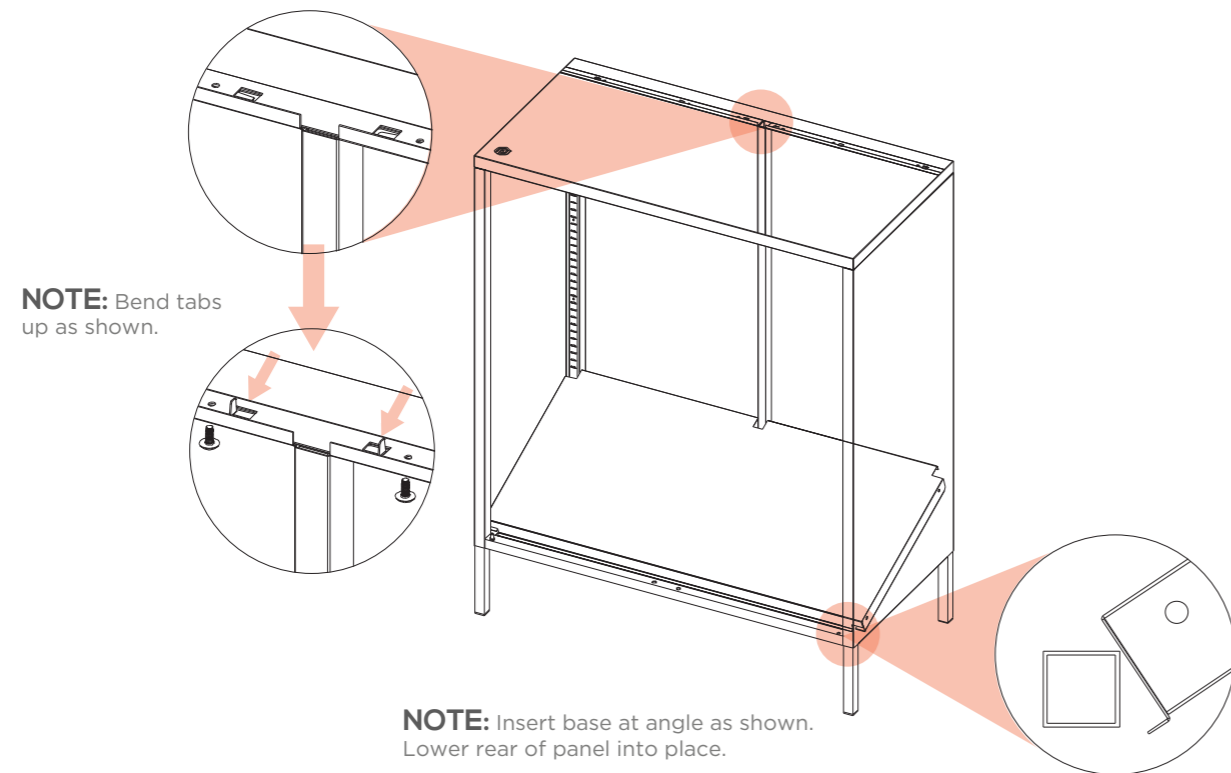
INSTALL LEFT BACK PANEL OVER RIGHT PANEL USING SELF TAPPING SCREWS WHERE SHOWN.



NOTE: Bend tab in.

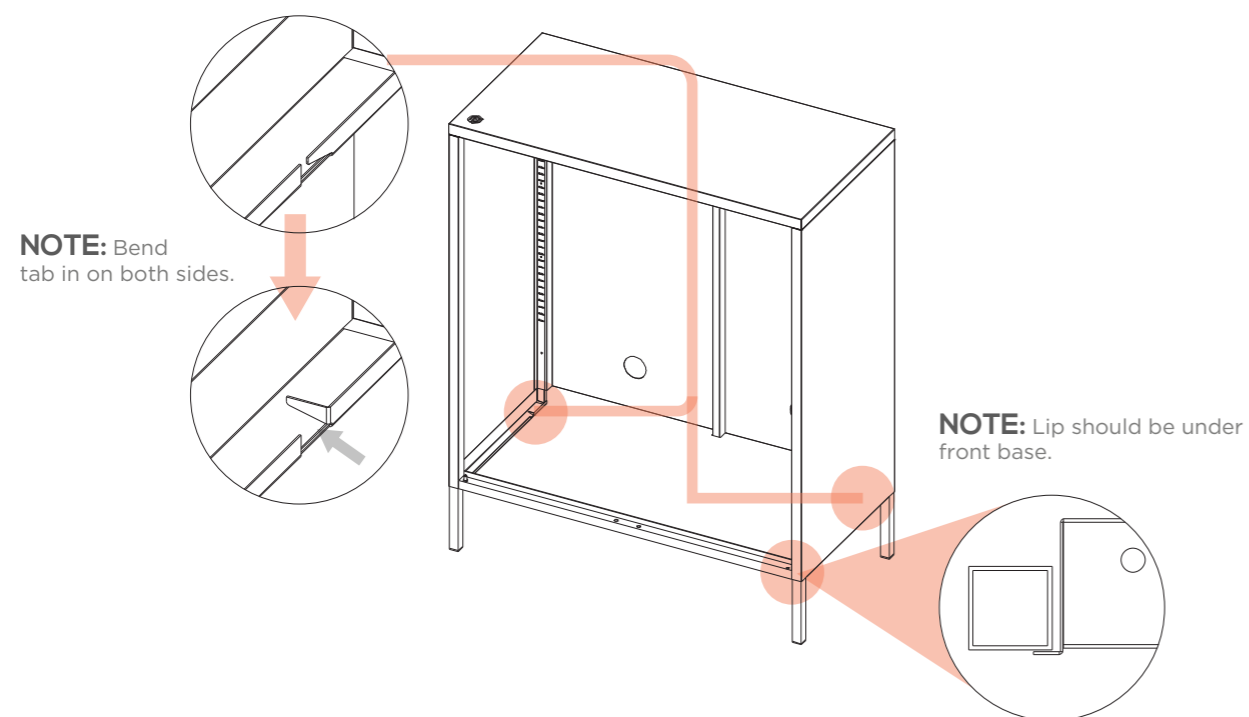
STEP 5

INSTALL THE BASE PLATE.



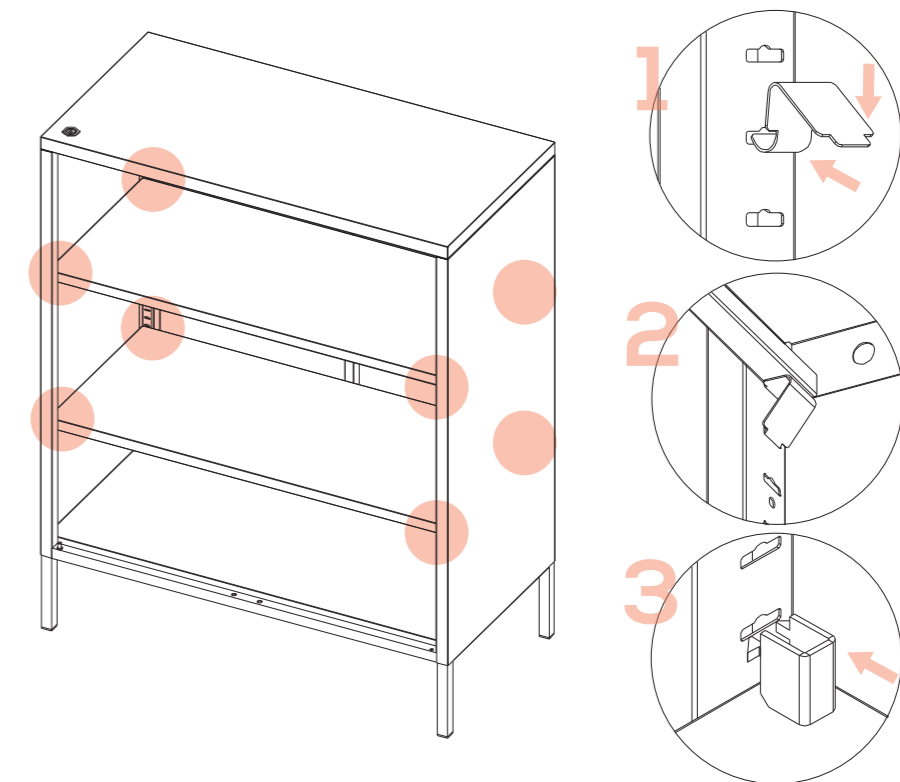
STEP 6

FIX BASE PLATE INTO PLACE WITH TABS AS SHOWN.



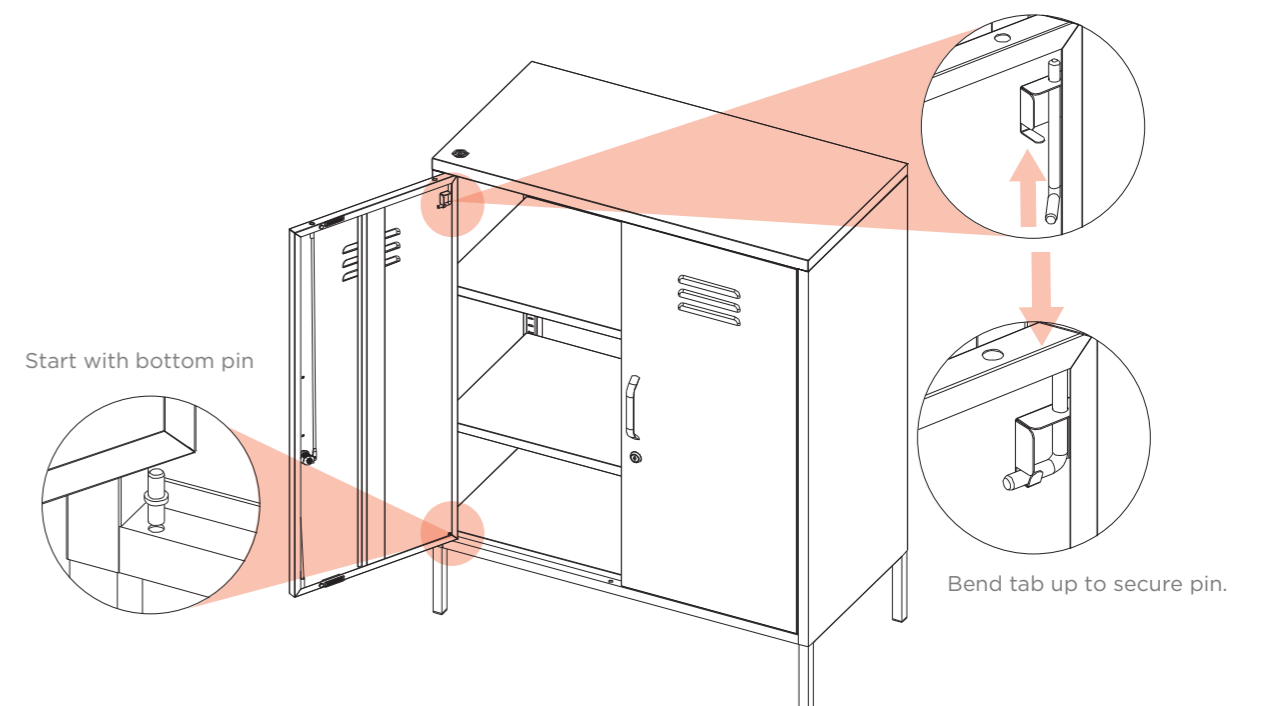
STEP 7

INSTALL THE TWO SHELVES.



STEP 8

INSTALL THE DOORS AND HANDLES.



NB!!! Adjust adjustable feet to ensure unit and doors are level and move freely.

Finish en klaar.

NEED HELP?

Please visit

www.popstrukt.com/instructions

section for more detailed information
and assembly videos



POPSTRUKT FURNITURE



@POPSTRUKT_COM



@POPSTRUKT.FURNITURE



POPSTRUKT FURNITURE