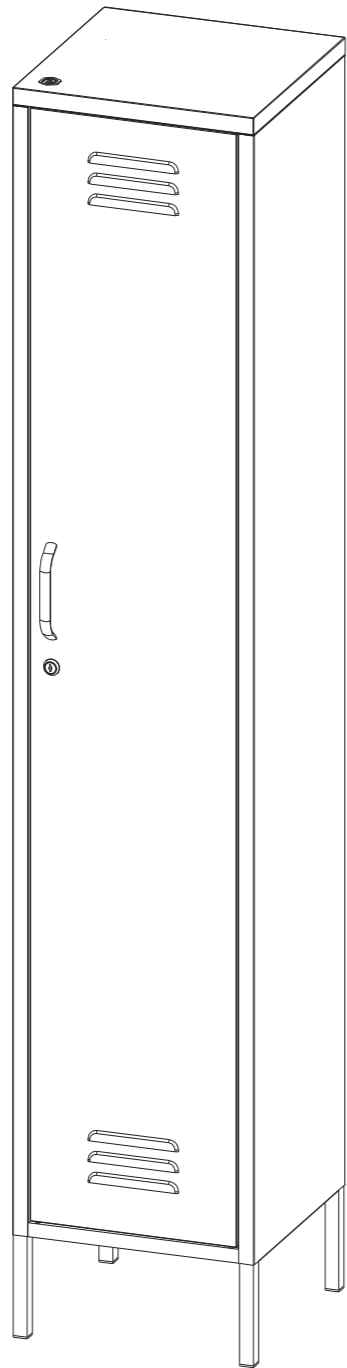


ASSEMBLY INSTRUCTIONS



## LOLLIPOP LOCKER / STORAGE UNIT



CODE | **C19**

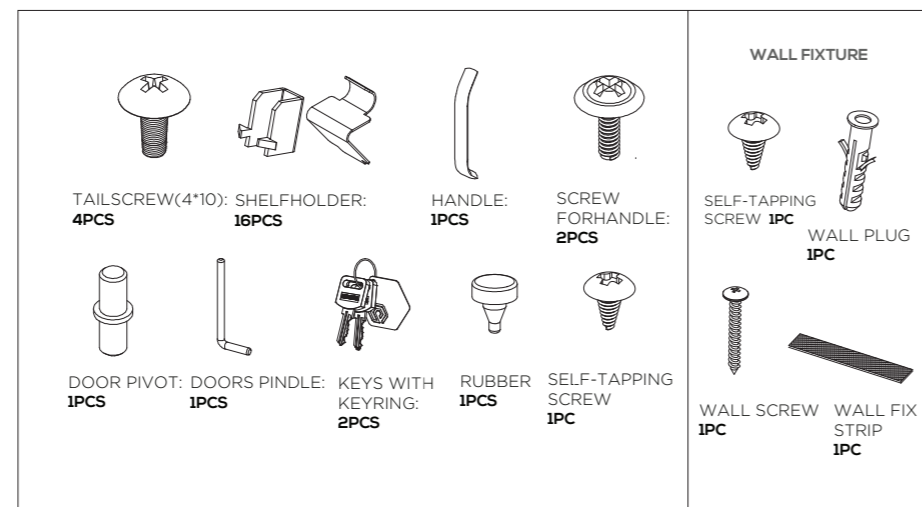
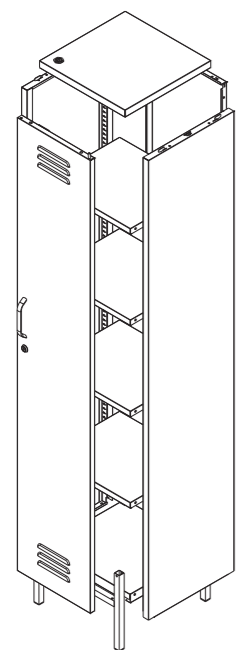
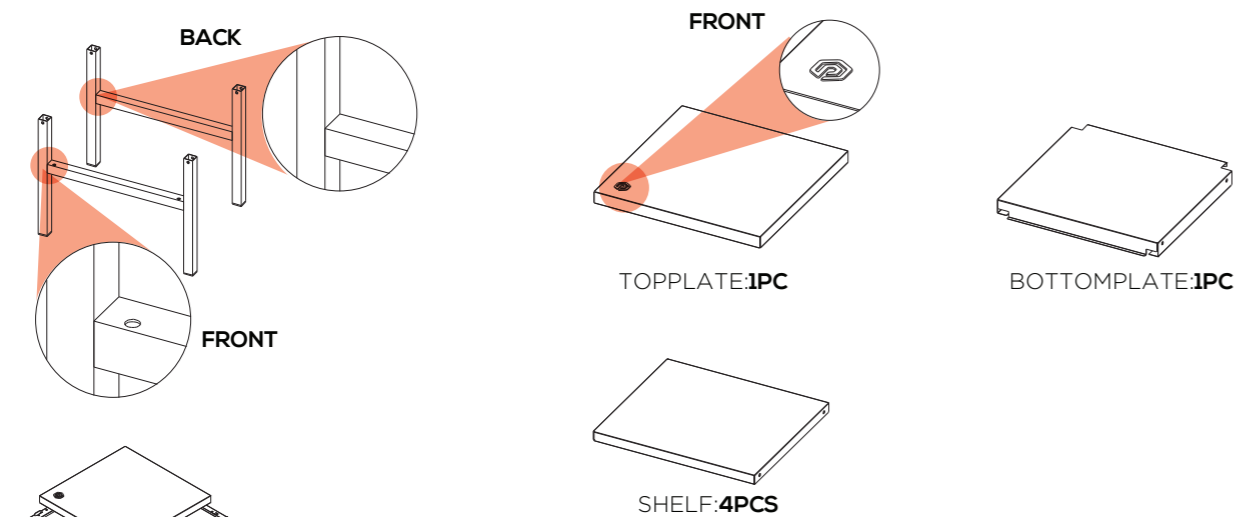
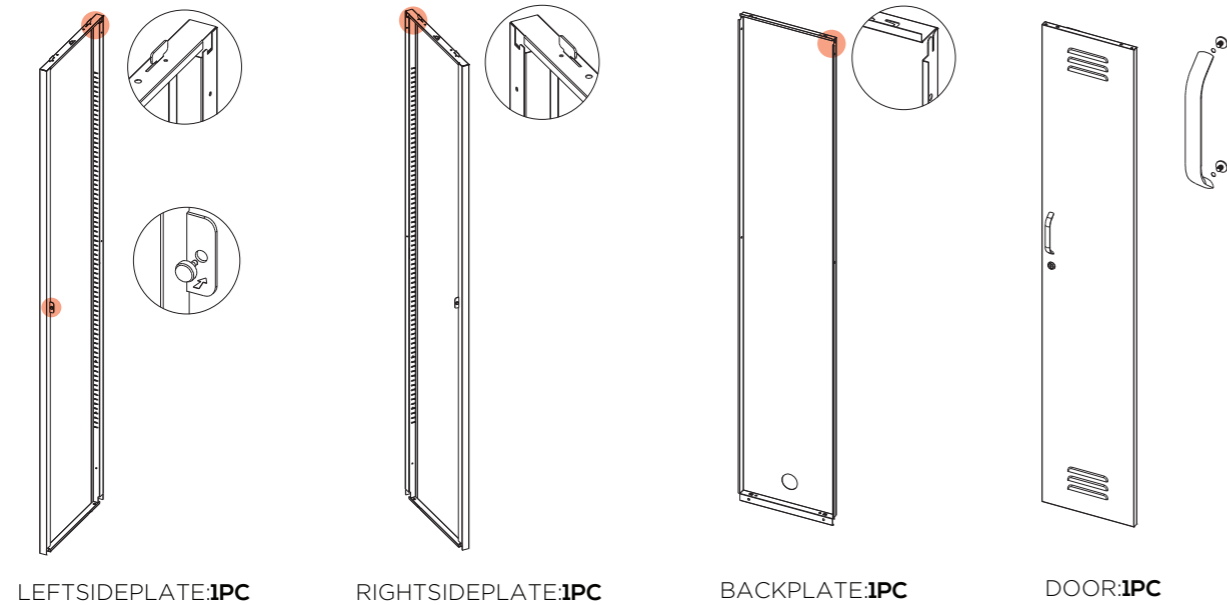


FOR DETAILED ASSEMBLY VIDEOS,  
SEARCH POPSTRUKT ON YOUTUBE



## WARNING

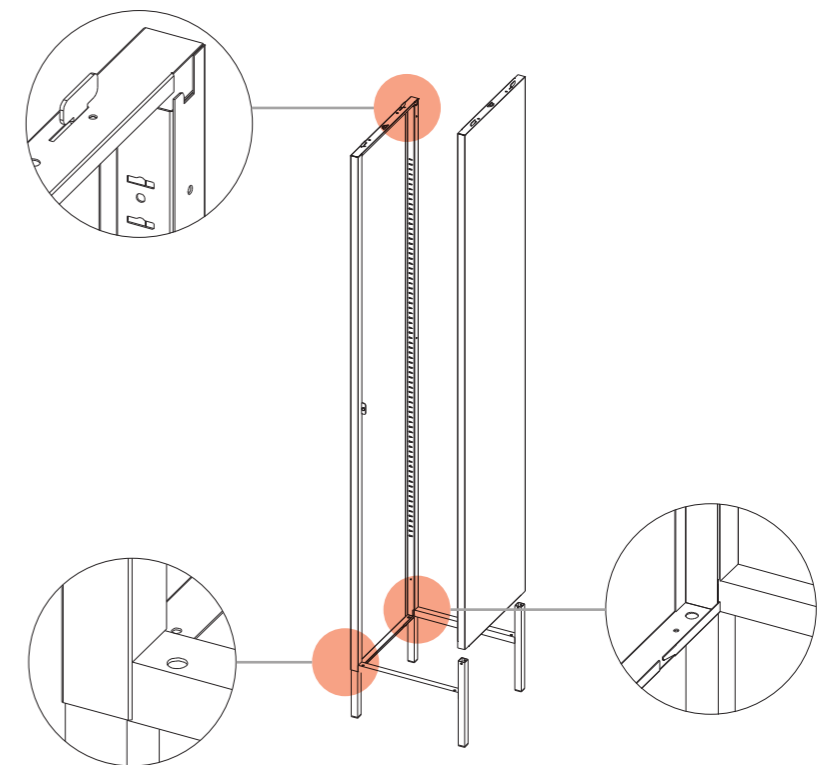
SERIOUS OR FATAL CRUSHING INJURIES CAN OCCUR FROM FURNITURE TIP-OVER. TO PREVENT THIS FURNITURE FROM TIPPING OVER IT MUST BE PERMANENTLY FIXED TO THE WALL. BASIC FIXING DEVICES FOR BRICK WALLS ARE INCLUDED. HOWEVER SINCE DIFFERENT WALL MATERIALS REQUIRE DIFFERENT TYPES OF FIXING DEVICES USE FIXING DEVICES SUITABLE FOR THE WALLS IN YOUR HOME. FOR ADVICE ON SUITABLE FIXING SYSTEMS, CONTACT YOUR LOCAL SPECIALIZED HARDWARE DEALER



Please visit [www.popstrukt.com/instructions](http://www.popstrukt.com/instructions) section for more information

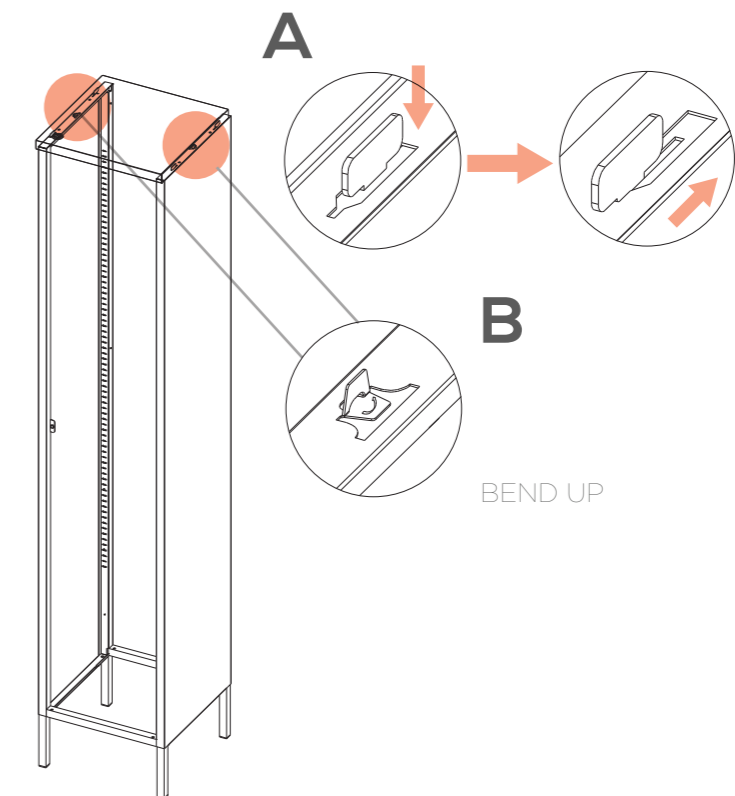
## STEP 1

CONNECT THE LEFT AND RIGHT SIDE PLATES WITH FRONT AND BACK BASE.



## STEP 2

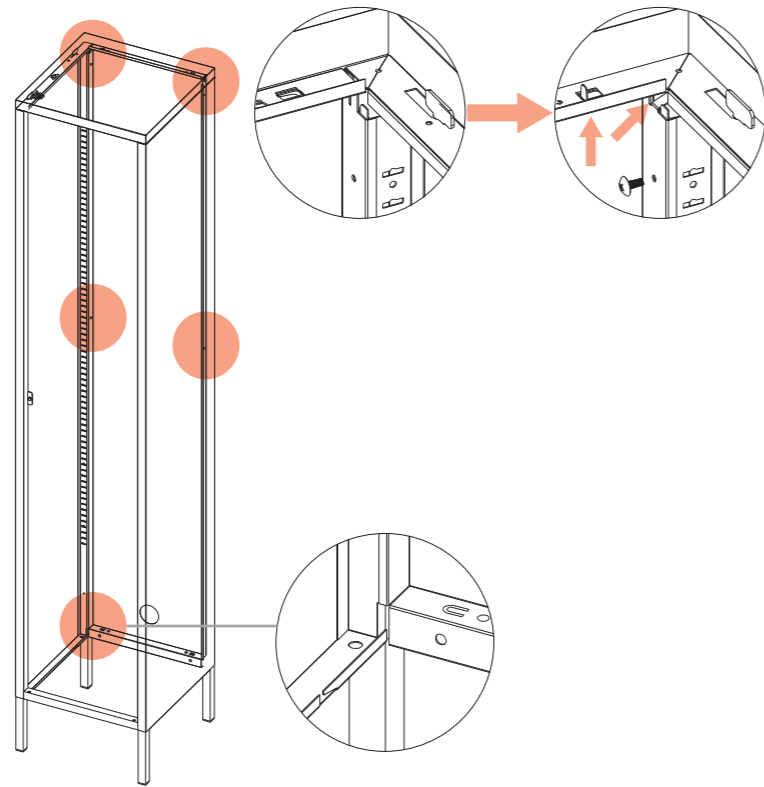
PUT THE TOP PLATE ON TO THE LEFT AND RIGHT SIDE PLATES.



Please visit [www.popstrukt.com/instructions](http://www.popstrukt.com/instructions) section for more information

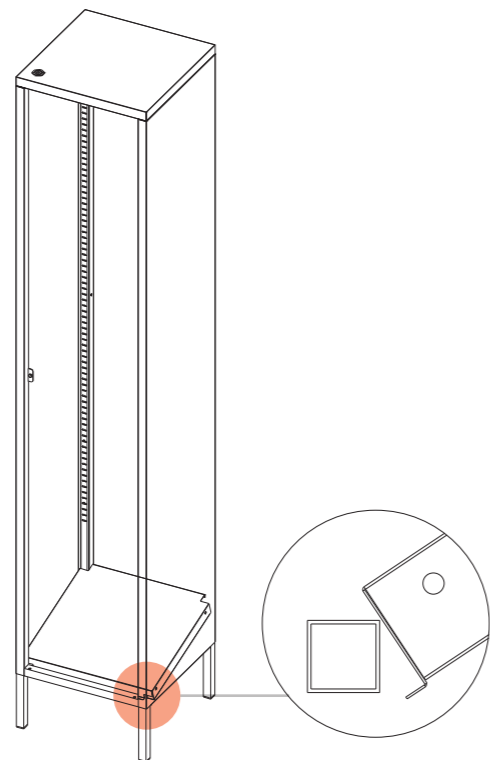
### STEP 3

INSTALL THE BACK PLATE BY TAIL SCREWS.



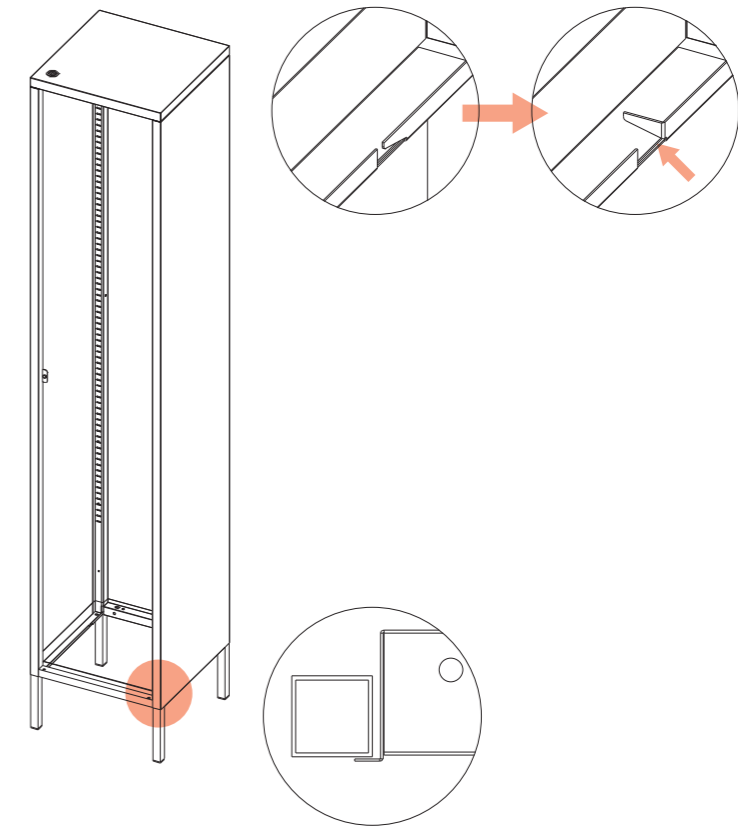
### STEP 4

INSTALL THE BOTTOM PLATE.



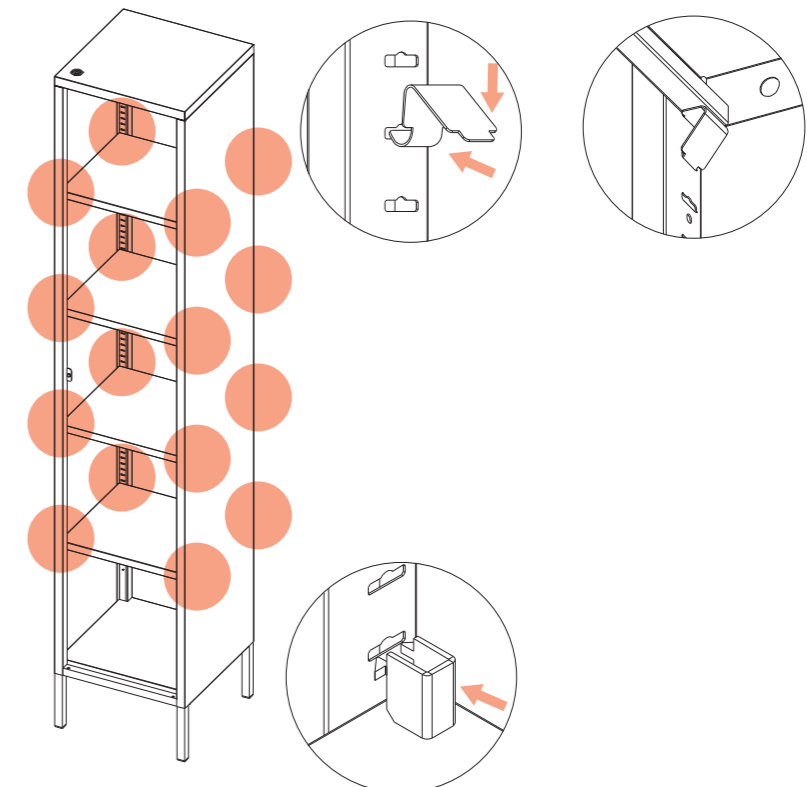
### STEP 5

FIX THE BOTTOM PLATE WITH THE BUCKLE OF THE BOTTOM SIDE PLATE.



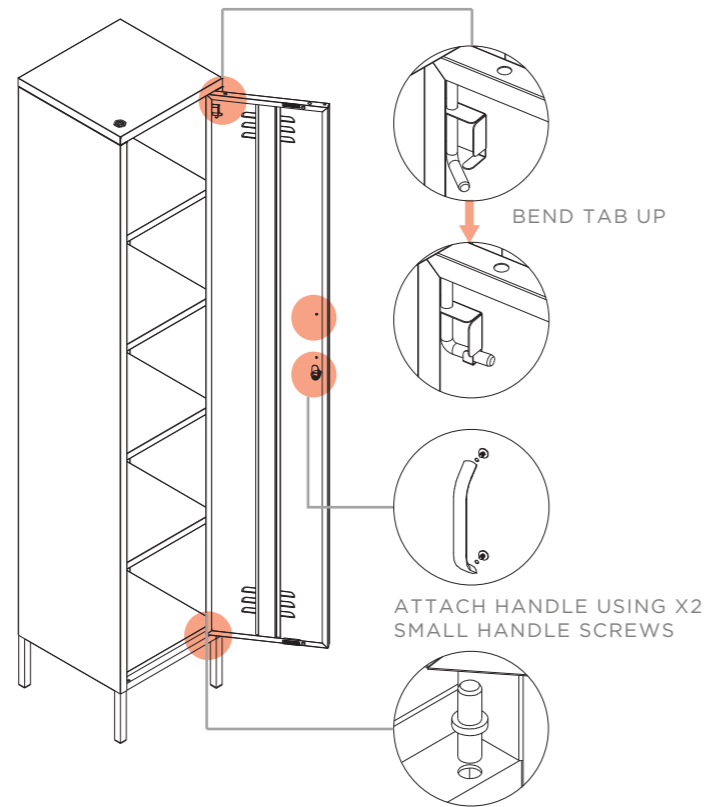
### STEP 6

INSTALL THE SHELF AND HANGING RAIL.



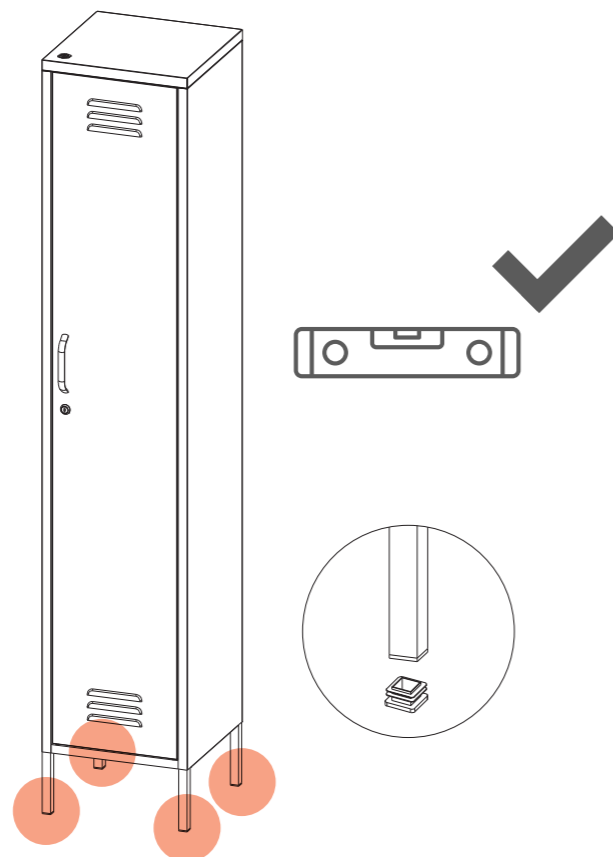
## STEP 7

INSTALL THE DOOR AS SHOWN. INSERT BOTTOM FIRST, THEN TOP WITH PIN. INSERT SPACER AT BOTTOM IF NEEDED.



## STEP 8

LEVEL UNIT USING ADJUSTABLE FEET UNTILL DOOR IS ALIGNED PROPERLY.



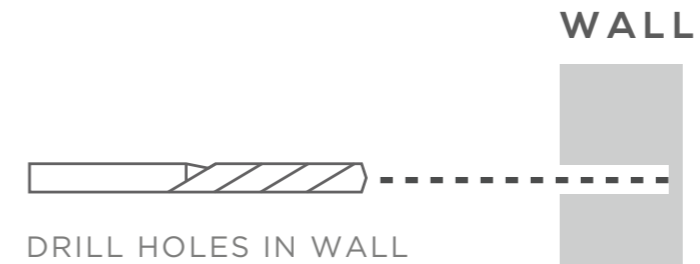
Please visit [www.popstrukt.com/instructions](http://www.popstrukt.com/instructions) section for more information

## STEP 9

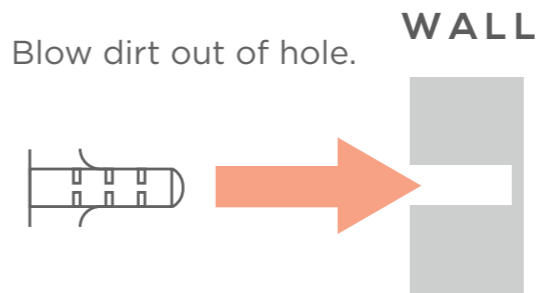
FIX TO WALL

### STEP 1

INSERT WALL PLUG INTO THE WALL USING A DRILL.

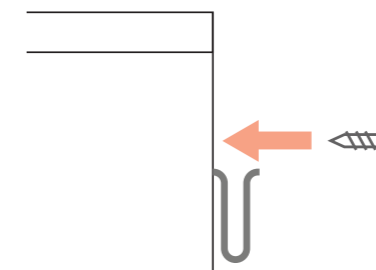


**TIP:** Blow dirt out of hole.



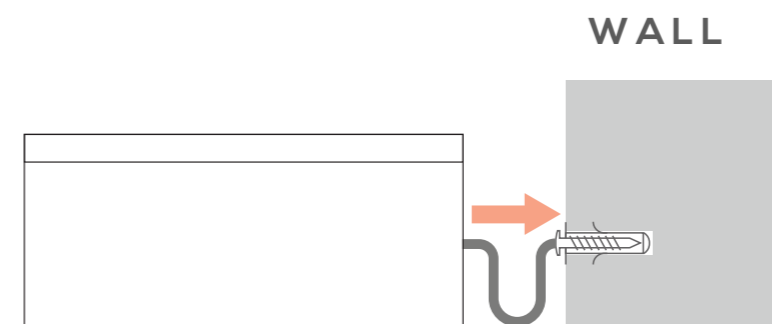
### STEP 2

FIX THE MATERIAL STRIP TO THE BACK OF UNIT USING SCREW.



### STEP 3

FIX THE UNIT TO THE WALL VIA MATERIAL STRIP.



## SUPPLIED



SELF-TAPPING  
SCREW  
1PC



WALL PLUG  
1PC



WALL SCREW  
1PC



WALL FIX  
STRIP  
1PC

WALL



SEE "HOW TO" SECTION ON POPSTRUKT YOUTUBE PAGE FOR PRODUCT ADJUSTMENT TIPS.

# Finish en klaar.

## NEED HELP?

Please visit

*[www.popstrukt.com/resources](http://www.popstrukt.com/resources)*

for assembly instructions & product care tips.

## TAG US

Tag us on Instagram

*@POPSTRUKT.FURNITURE*

and show us your assembly journey.



POPSTRUKT FURNITURE



@POPSTRUKT.FURNITURE



POPSTRUKT FURNITURE