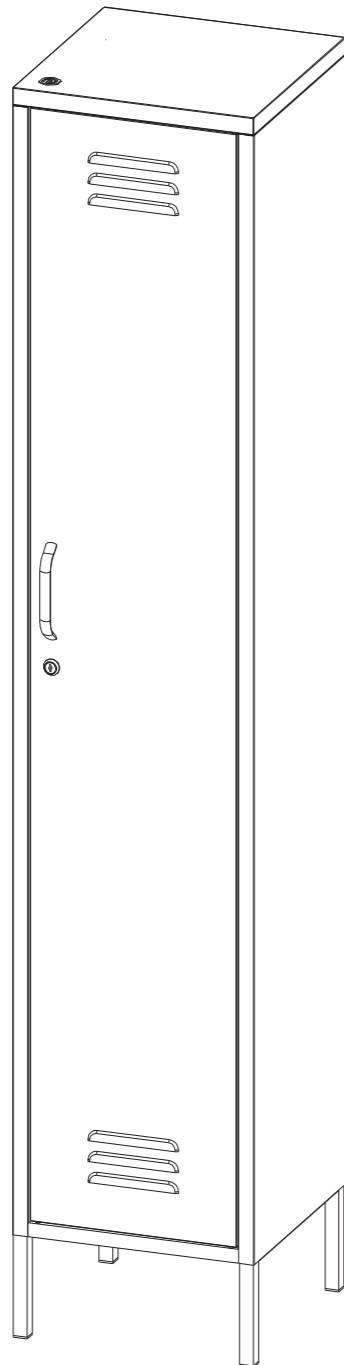


ASSEMBLY INSTRUCTIONS



## LOLLIPOP LOCKER / STORAGE UNIT



CODE | **C19**

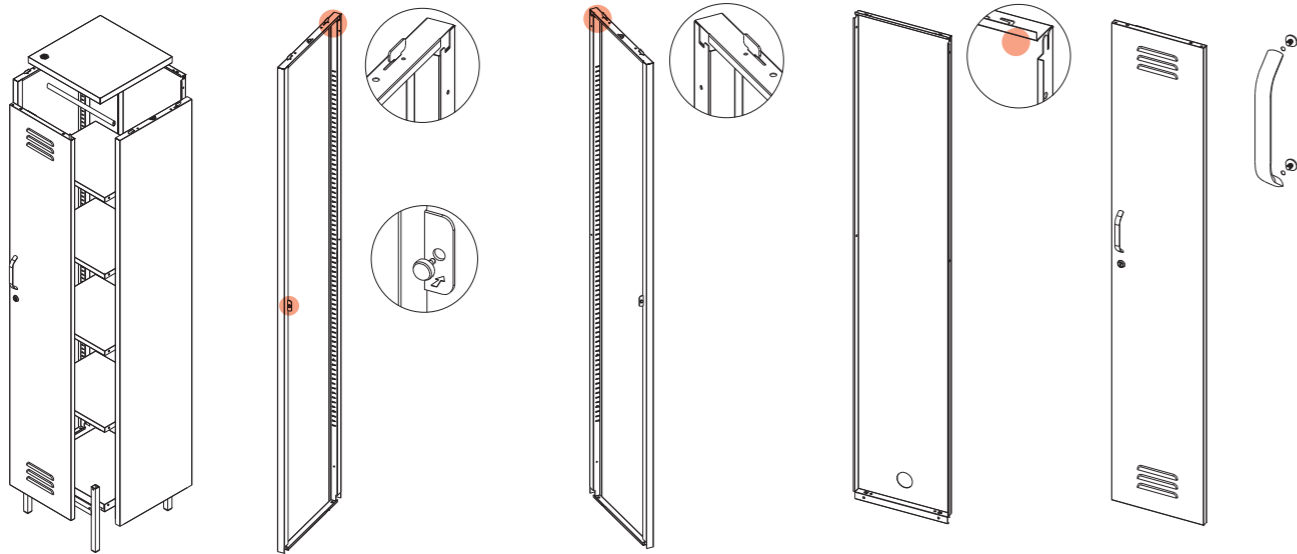


FOR DETAILED ASSEMBLY VIDEOS,  
SEARCH POPSTRUKT ON YOUTUBE

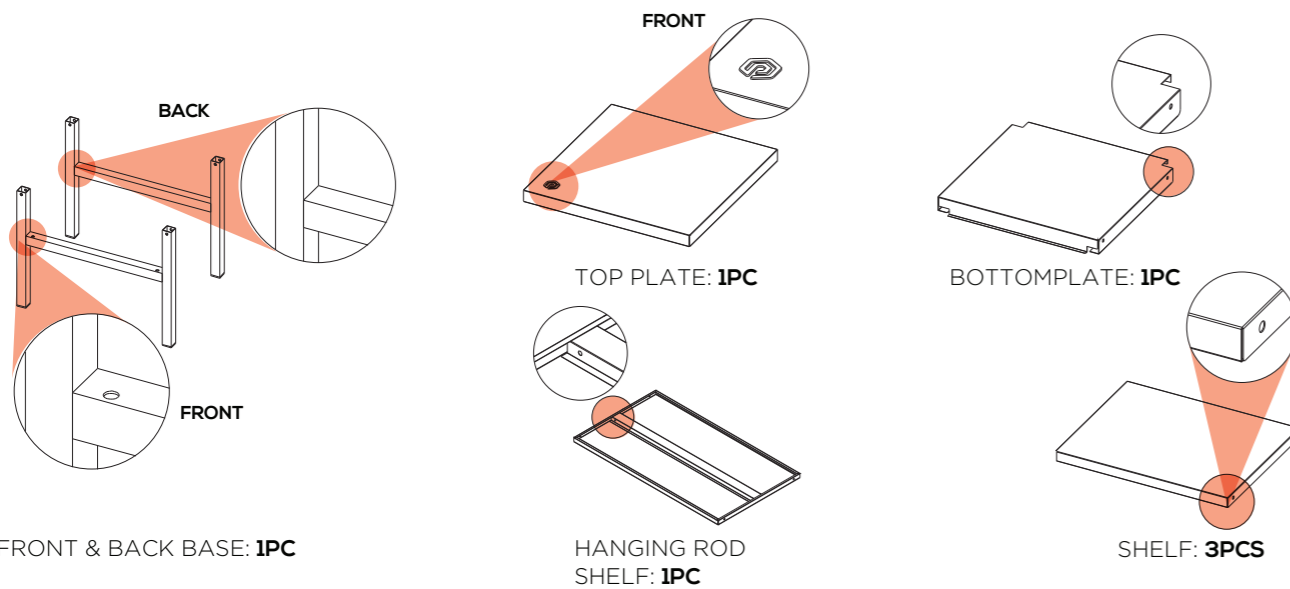


## WARNING

SERIOUS OR FATAL CRUSHING INJURIES CAN OCCUR FROM FURNITURE TIP-OVER. TO PREVENT THIS FURNITURE FROM TIPPING OVER IT MUST BE PERMANENTLY FIXED TO THE WALL. BASIC FIXING DEVICES FOR BRICK WALLS ARE INCLUDED. HOWEVER SINCE DIFFERENT WALL MATERIALS REQUIRE DIFFERENT TYPES OF FIXING DEVICES USE FIXING DEVICES SUITABLE FOR THE WALLS IN YOUR HOME. FOR ADVICE ON SUITABLE FIXING SYSTEMS, CONTACT YOUR LOCAL SPECIALISED HARDWARE DEALER



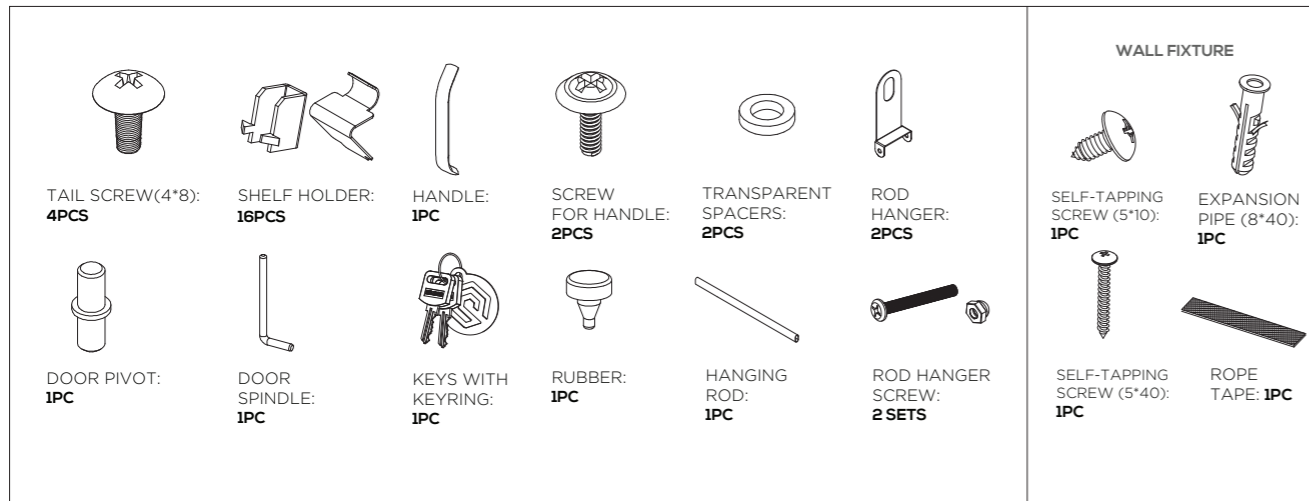
LEFT SIDE PLATE: 1PC RIGHT SIDE PLATE: 1PC BACK PLATE: 1PC DOOR: 1PC



FRONT & BACK BASE: 1PC

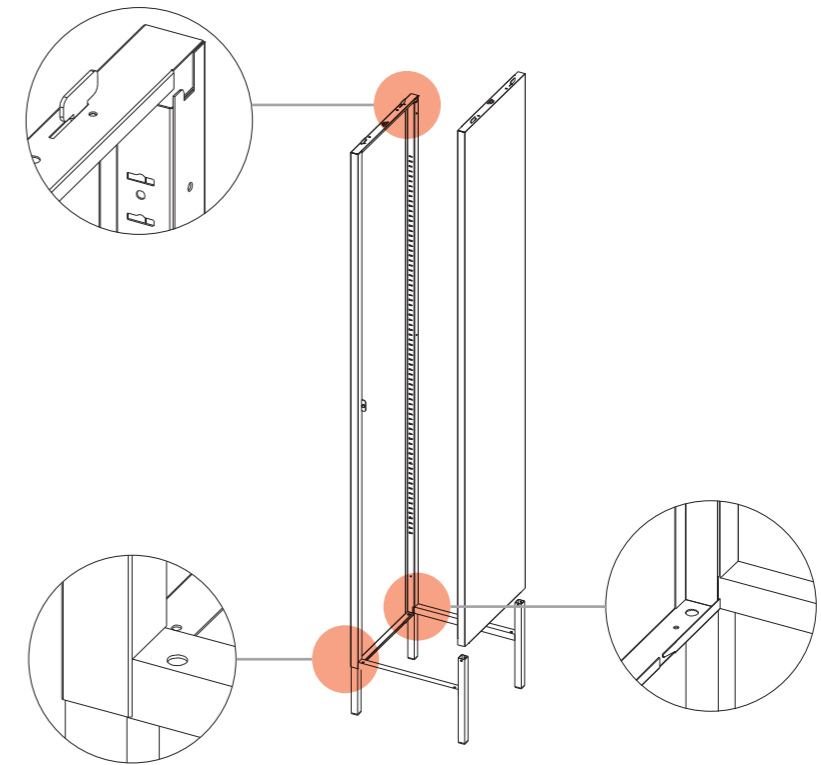
HANGING ROD SHELF: 1PC

SHELF: 3PCS



## STEP 1

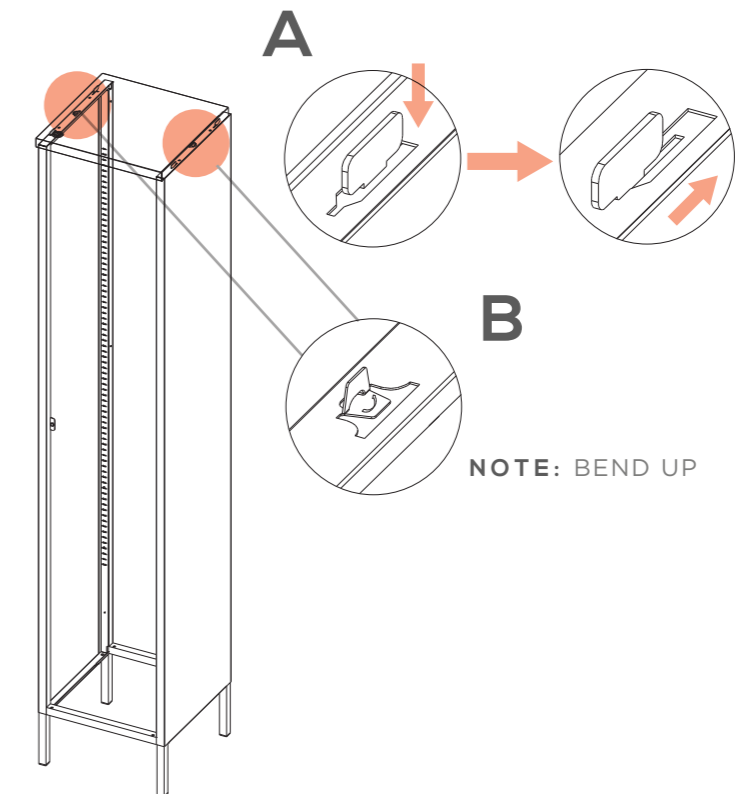
CONNECT THE LEFT AND RIGHT SIDE PLATES WITH FRONT AND BACK BASE.



NOTE: HOLE TO FACE FRONT.

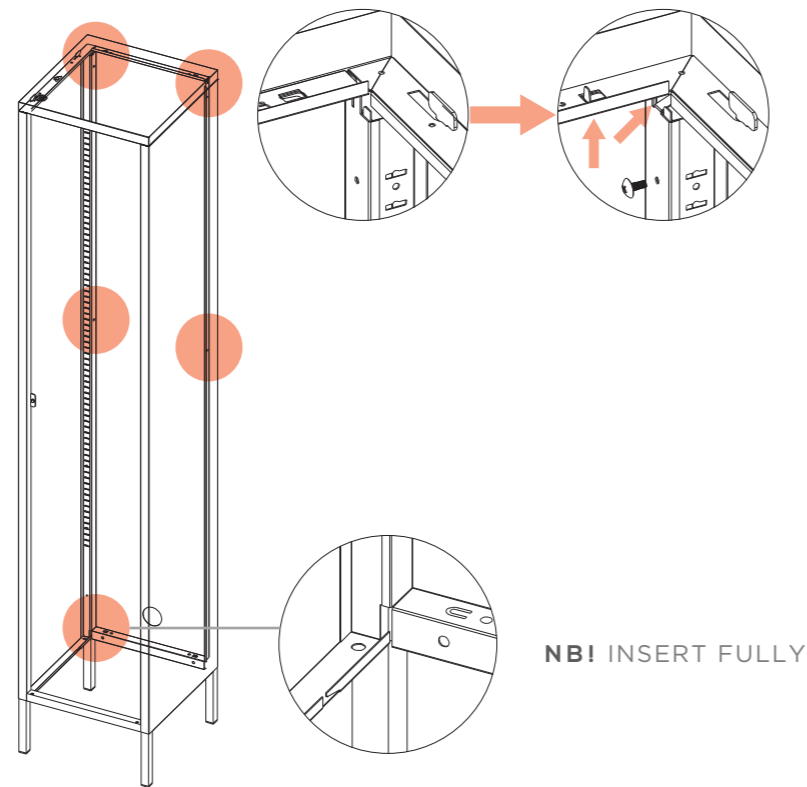
## STEP 2

PUT THE TOP PLATE ON TO THE LEFT AND RIGHT SIDE PLATES.



### STEP 3

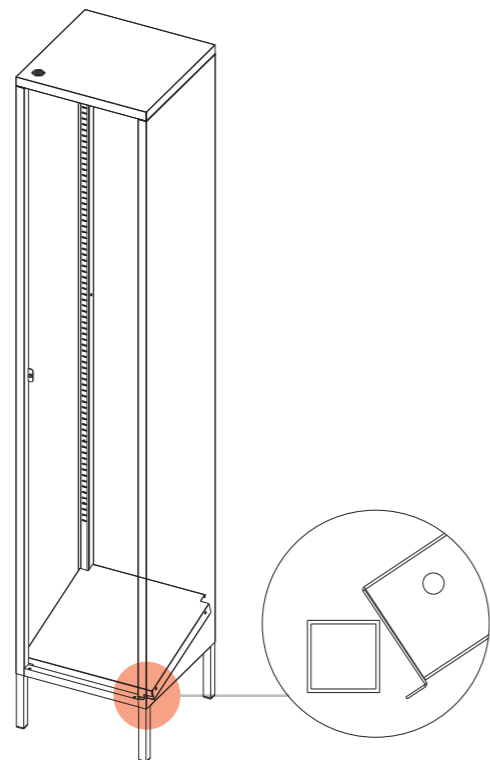
INSTALL THE BACK PLATE BY TAIL SCREWS.



NBI INSERT FULLY

### STEP 4

INSTALL THE BOTTOM PLATE.

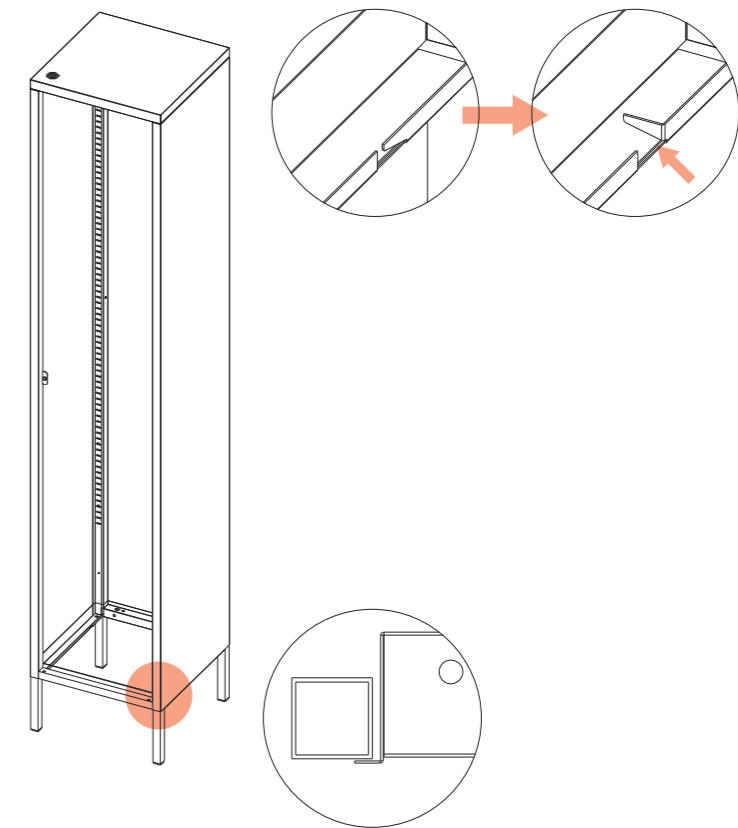


INSERT FRONT FIRST AT AN ANGLE AS SHOWN

Please visit [www.popstrukt.com](http://www.popstrukt.com) > Resources for the latest instructions.

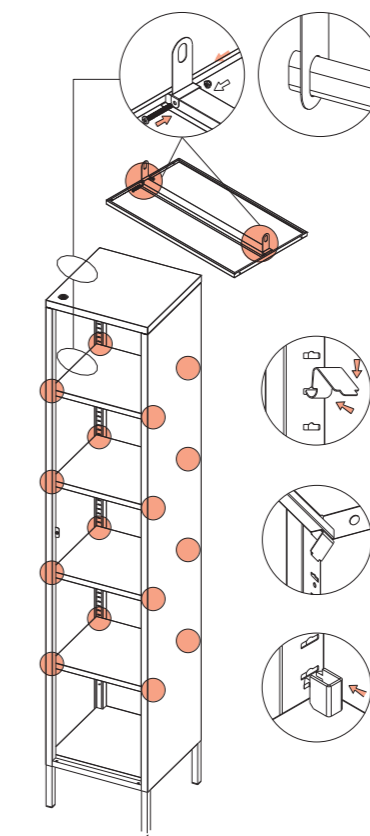
### STEP 5

FIX THE BOTTOM PLATE WITH THE BUCKLE OF THE BOTTOM SIDE PLATE.



### STEP 6

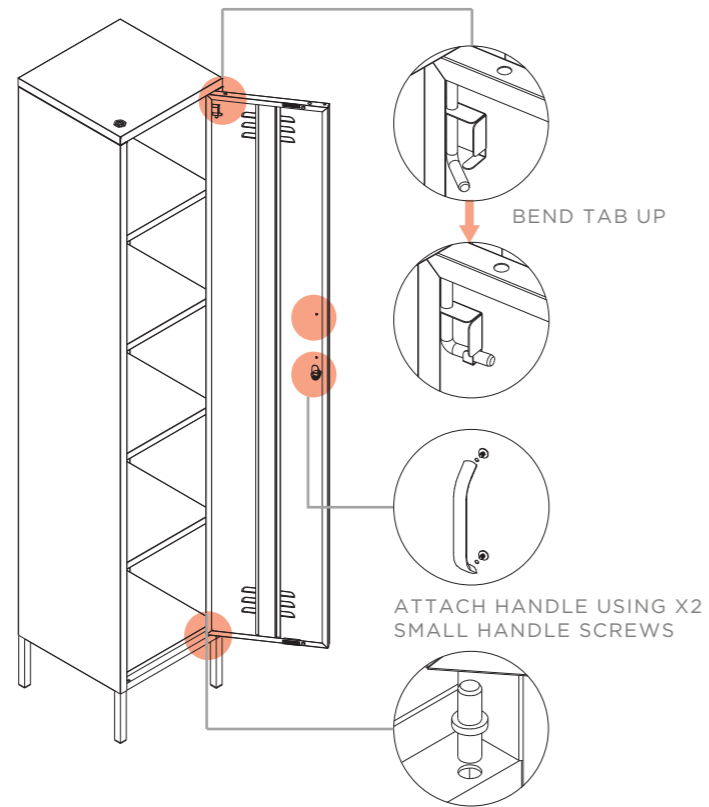
INSTALL THE ROD HANGERS AND ROD ONTO THE HANGING ROD SHELF OR TOP PLATE. FIX WITH SCREW AND NUT AS SHOWN BELOW. COMPLETE SHELF INSTALLATION.



Please visit [www.popstrukt.com](http://www.popstrukt.com) > Resources for the latest instructions.

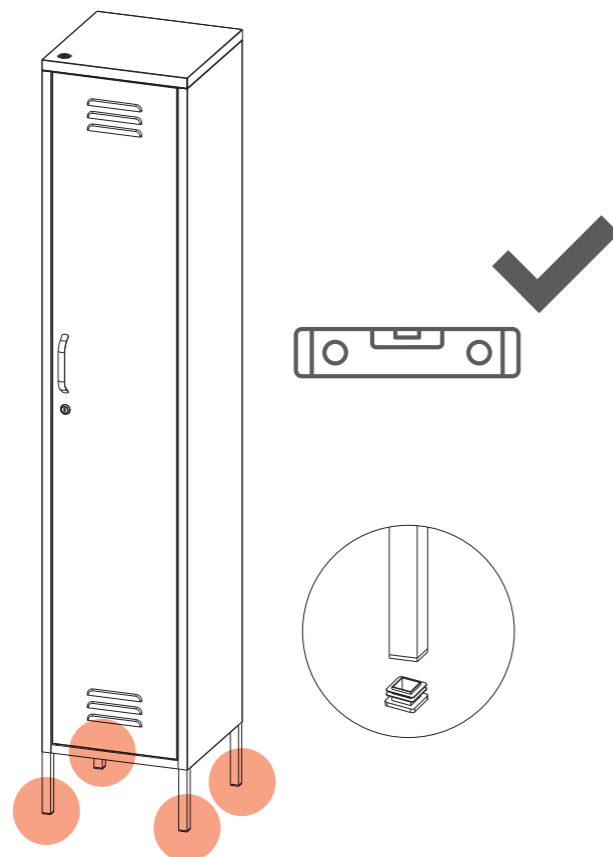
## STEP 7

INSTALL THE DOOR AS SHOWN. INSERT BOTTOM FIRST, THEN TOP WITH PIN. INSERT SPACER AT BOTTOM IF NEEDED. ADJUST EACH PART TO FIT WELL AFTER INSTALLATION.



## STEP 8

LEVEL UNIT USING ADJUSTABLE FEET UNTIL DOOR IS ALIGNED PROPERLY.



Please visit [www.popstrukt.com](http://www.popstrukt.com) > Resources for the latest instructions.

## STEP 9

FIX TO WALL

SUPPLIED



SELF-TAPPING SCREW (5\*10)  
1PC



SELF-TAPPING SCREW (5\*40)  
1PC



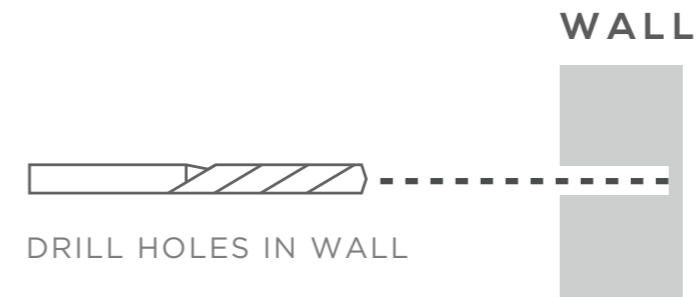
EXPANSION PIPE (8\*40)  
1PC



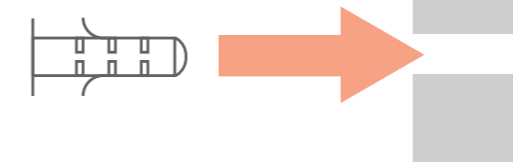
WALL FIX ROPE TAPE  
1PC

### STEP 9.1

INSERT WALL PLUG INTO THE WALL USING A DRILL.

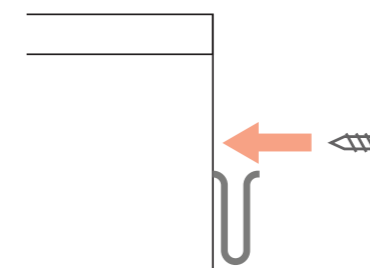


TIP: Blow dirt out of hole.



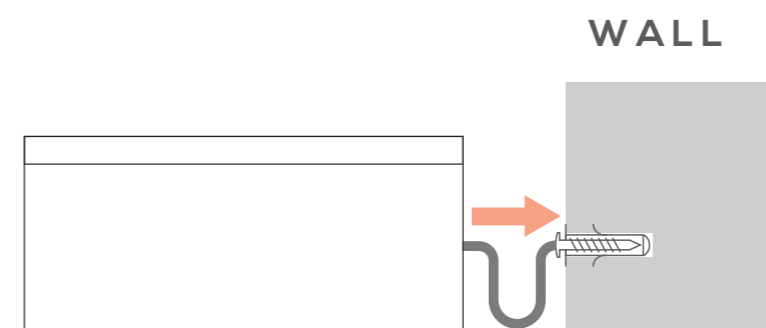
### STEP 9.2

FIX THE MATERIAL STRIP TO THE BACK OF UNIT USING SCREW.

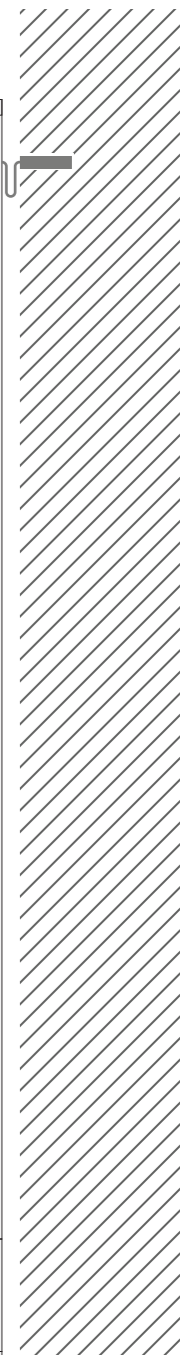


### STEP 9.3

FIX THE UNIT TO THE WALL VIA MATERIAL STRIP.



WALL



# Finish en klaar.

## NEED HELP?

Please visit

*[www.popstrukt.com/resources](http://www.popstrukt.com/resources)*

for assembly instructions & product care tips  
or search Popstrukt on YouTube  
for How To videos.

## TAG US

Tag us on Instagram

*@POPSTRUKT.FURNITURE*

and show us your assembly journey.



POPSTRUKT FURNITURE



@POPSTRUKT.FURNITURE



POPSTRUKT FURNITURE