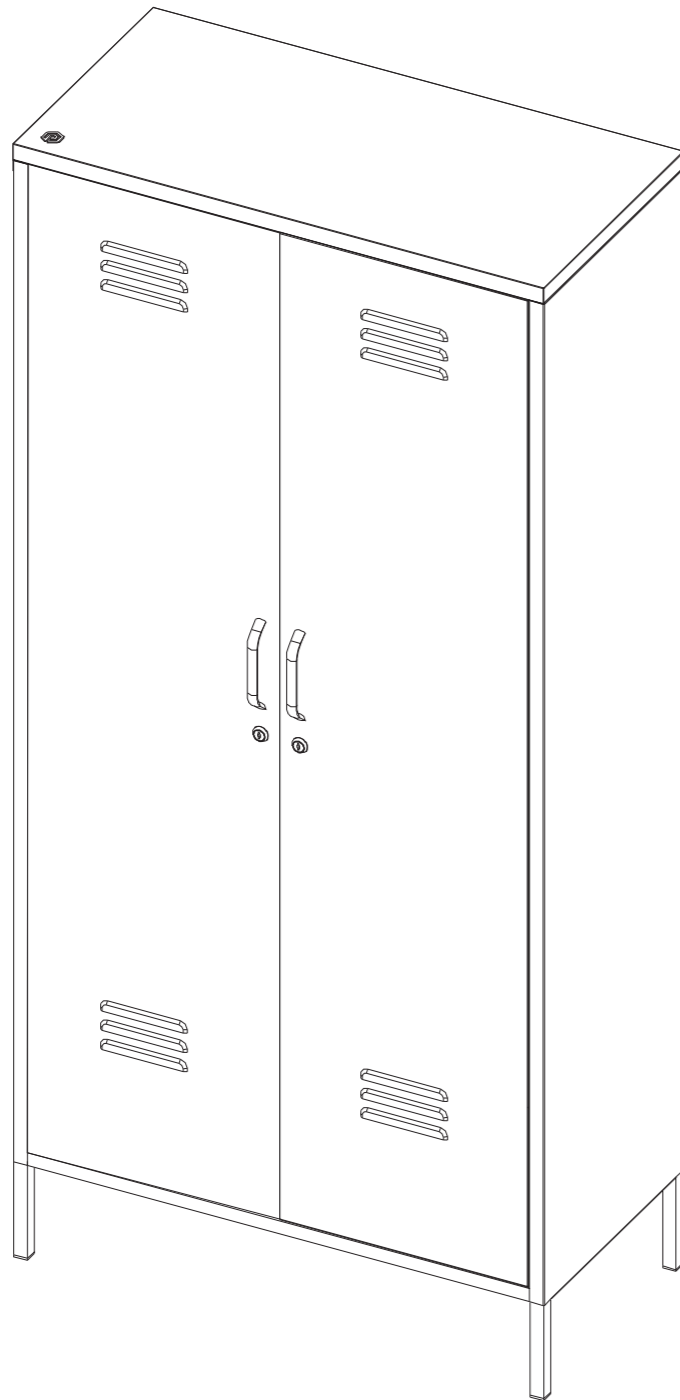


ASSEMBLY INSTRUCTIONS



LOLLIPOP LOCKER DOUBLE



CODE | C19D



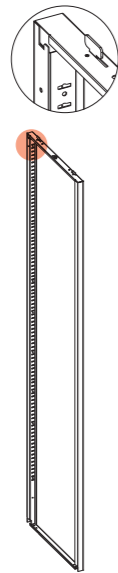
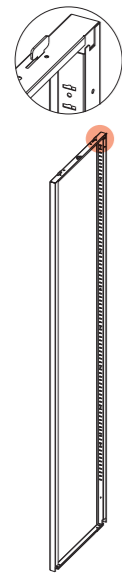
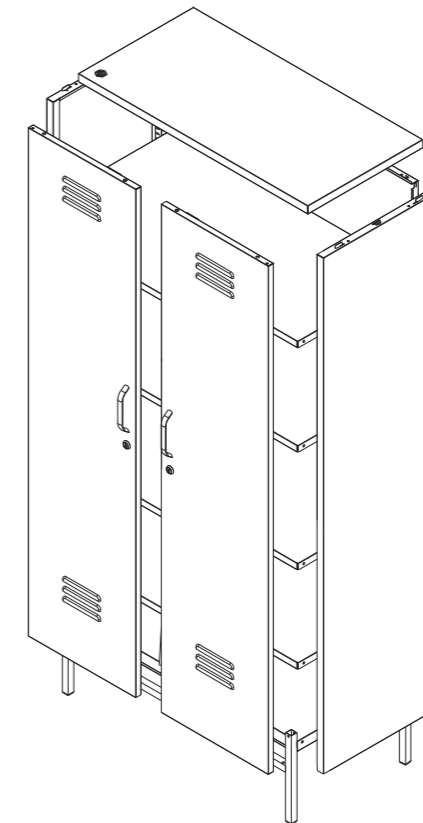
FOR DETAILED ASSEMBLY VIDEOS,
SEARCH POPSTRUKT ON YOUTUBE



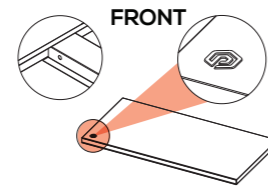
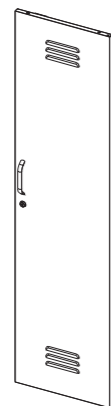
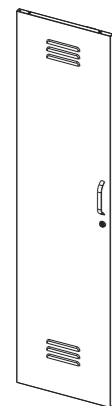
WARNING

SERIOUS OR FATAL CRUSHING INJURIES CAN OCCUR FROM FURNITURE TIP-OVER. TO PREVENT THIS FURNITURE FROM TIPPING OVER IT MUST BE PERMANENTLY FIXED TO THE WALL. BASIC FIXING DEVICES FOR BRICK WALLS ARE INCLUDED. HOWEVER SINCE DIFFERENT WALL MATERIALS REQUIRE DIFFERENT TYPES OF FIXING DEVICES USE FIXING DEVICES SUITABLE FOR THE WALLS IN YOUR HOME. FOR ADVICE ON SUITABLE FIXING SYSTEMS, CONTACT YOUR LOCAL SPECIALIZED HARDWARE DEALER

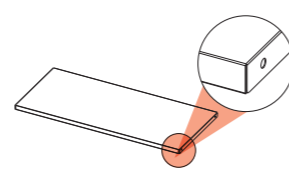
ALL THE PIECES



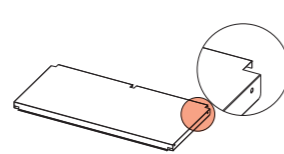
LEFT SIDE PLATE: **1PC** RIGHT SIDE PLATE: **1PC** LEFT BACK PLATE: **1PC** RIGHT BACK PLATE: **1PC**



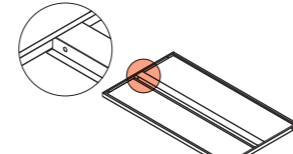
TOP PLATE: **1PC**



SHELF: **3PCS**



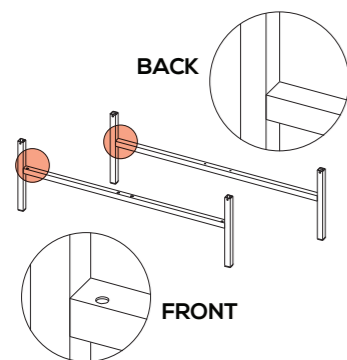
BOTTOM PLATE: **1PC**



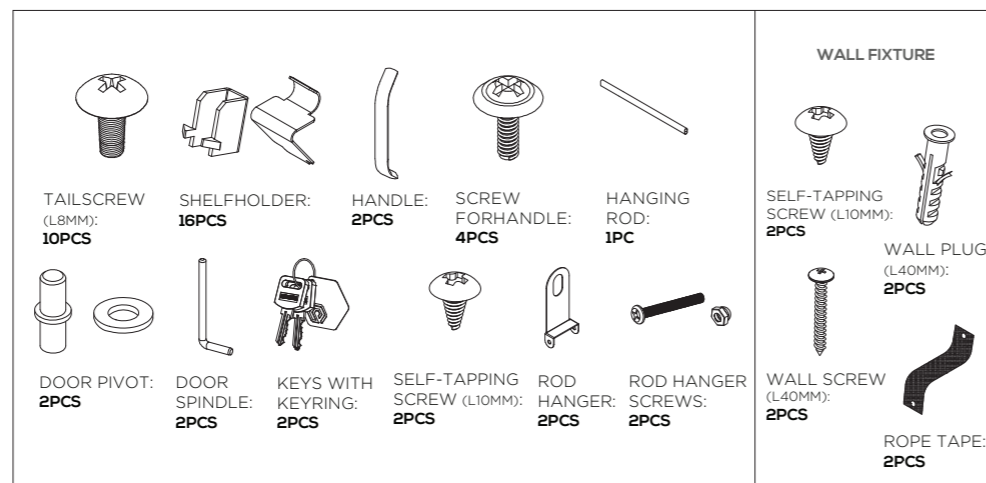
HANGING ROD SHELF: **1PC**

LEFT DOOR: **1PC**

RIGHT DOOR: **1PC**

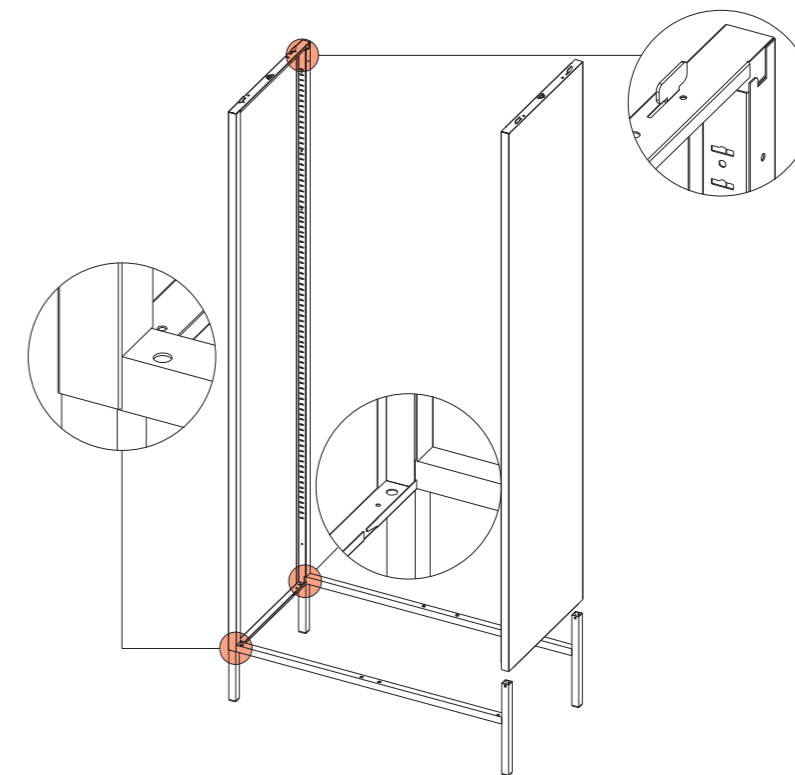


FRONT & BACK BASE: **2PCS**



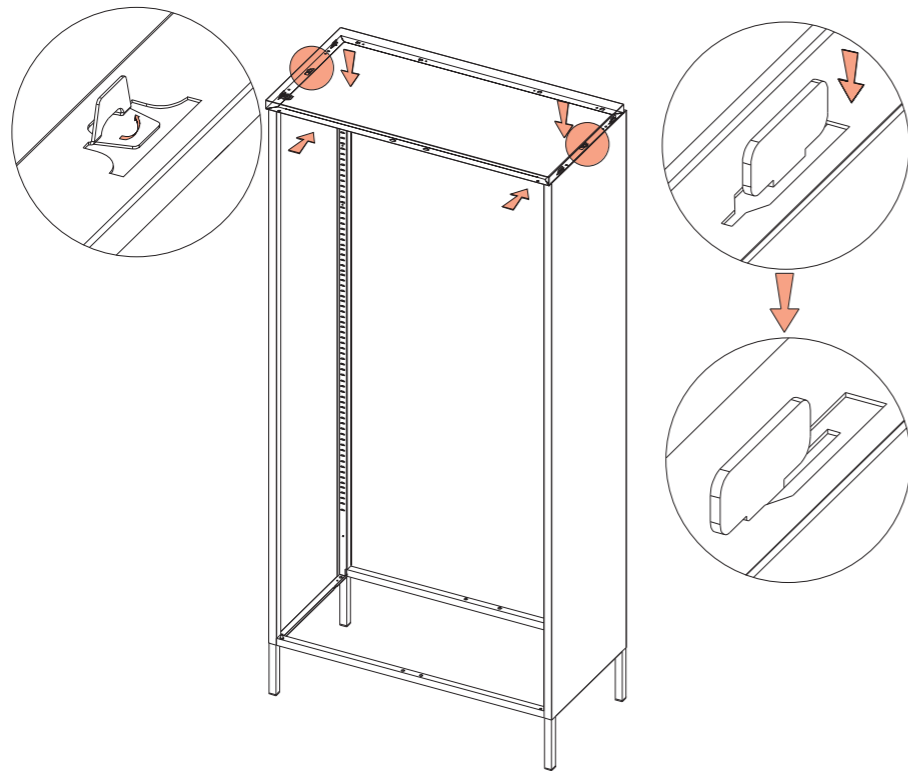
STEP 1

CONNECT THE LEFT AND RIGHT SIDE PLATES WITH FRONT AND BACK BASE.



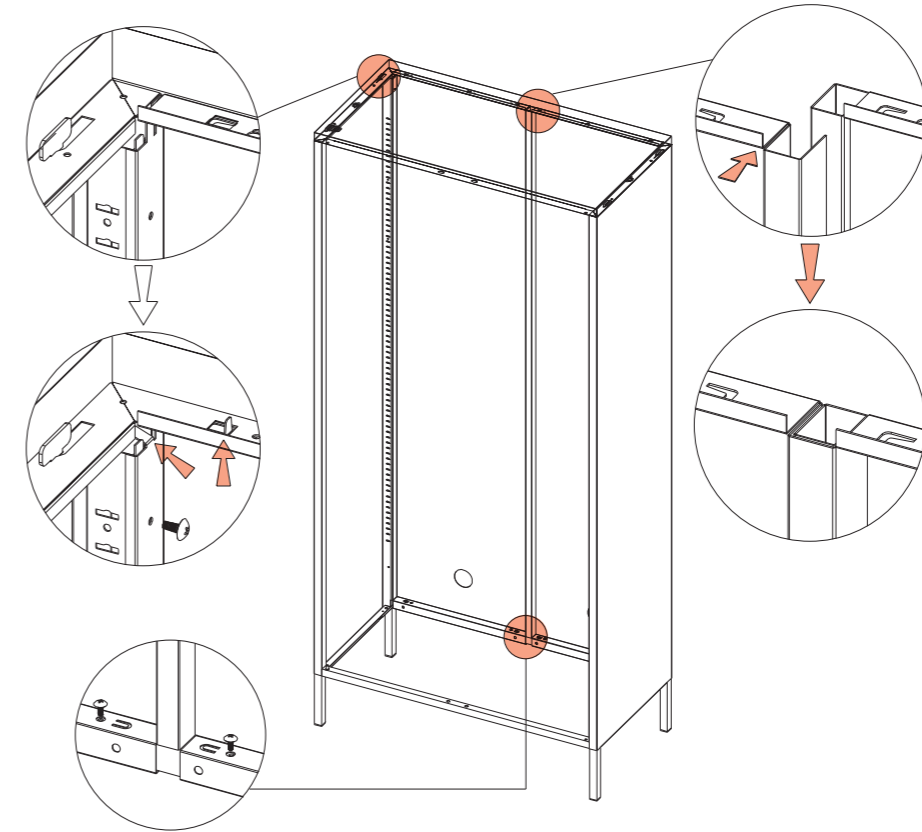
STEP 2

PUT THE TOP PLATE ONTO THE LEFT AND RIGHT SIDE PLATES.



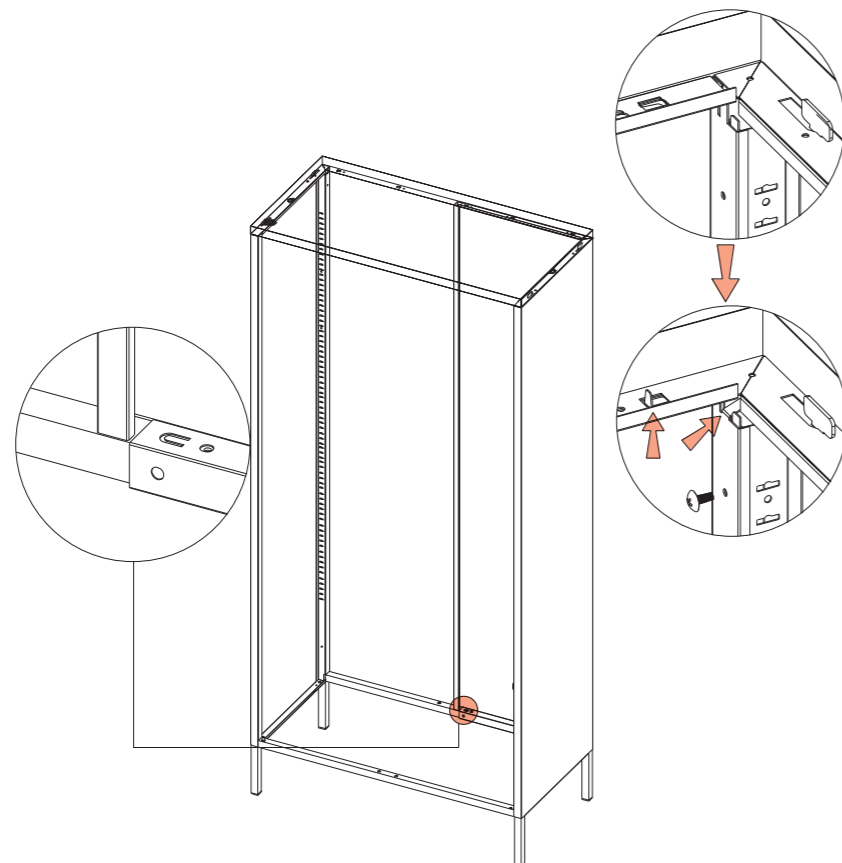
STEP 4

INSTALL THE LEFT BACK PLATE BY TAIL SCREWS.



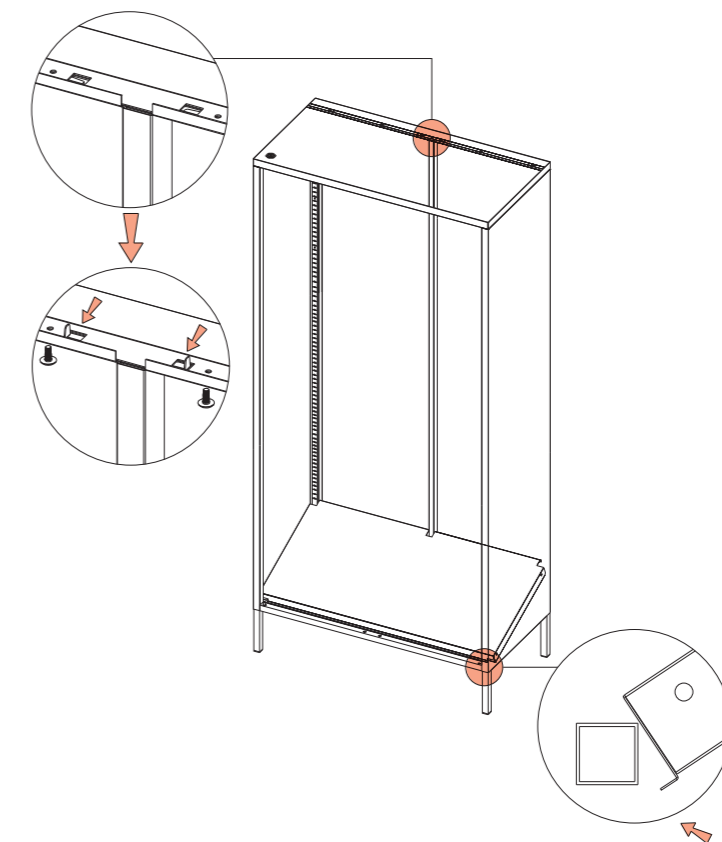
STEP 3

INSTALL THE RIGHT BACK PLATE BY TAIL SCREWS.



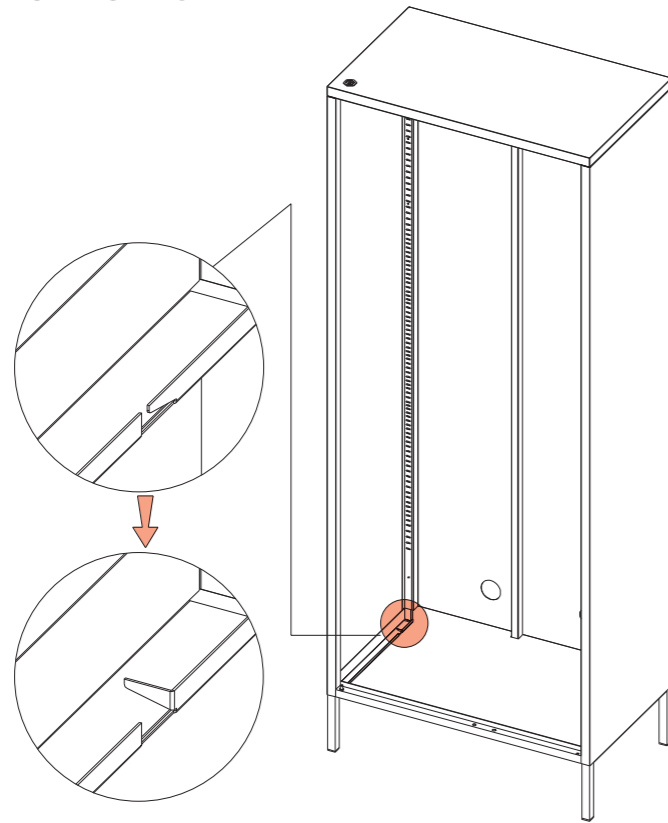
STEP 5

INSTALL THE BOTTOM PLATE.



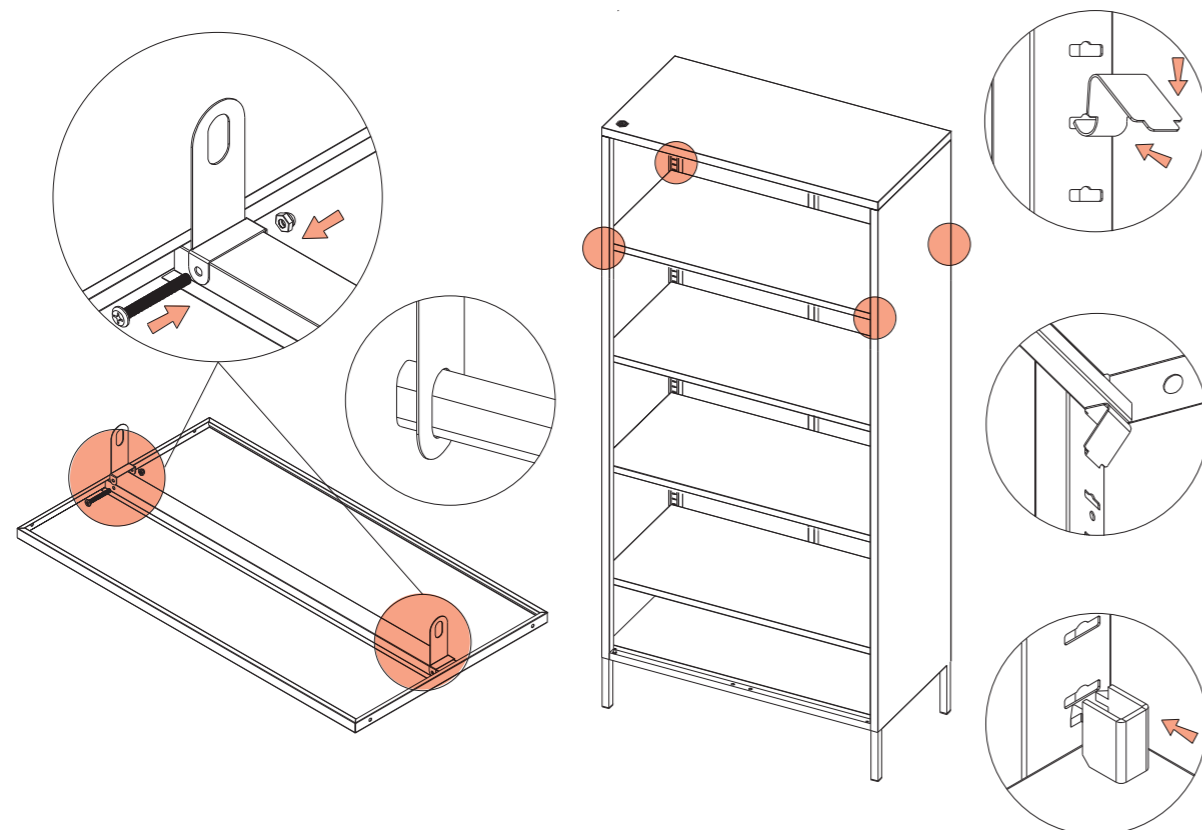
STEP 6

FIX THE BOTTOM PLATE WITH THE BUCKLE OF THE BOTTOM SIDE PLATE.



STEP 7

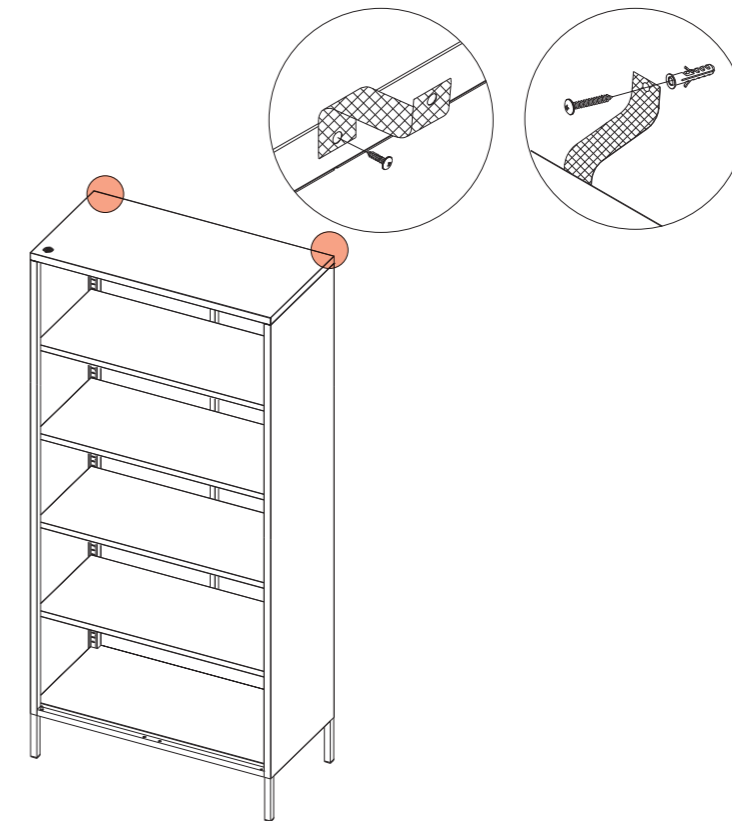
INSTALL THE HANGING ROD ONTO THE HANGING ROD SHELF WITH SCREW AND NUT AS SHOWN IN THE PICTURE & THEN INSTALL SHELVES.



Please visit www.popstrukt.com/instructions section for more information

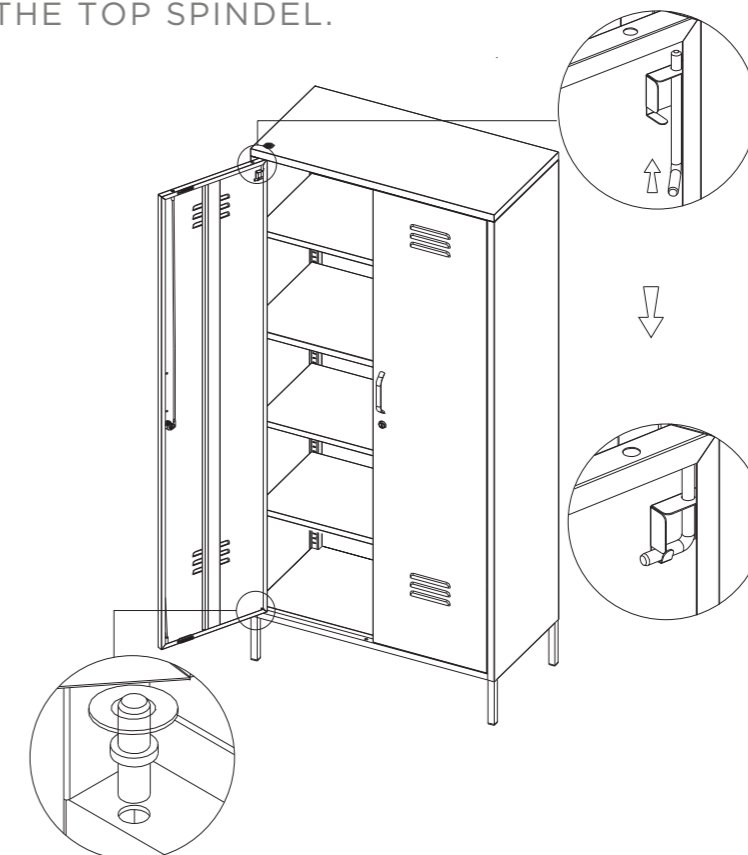
STEP 8

FIX THE CABINET ONTO THE WALL WITH SELF-TAPPING SCREW, WALL SCREW AND WALL FIX STRIP.



STEP 9

INSTALL DOORS BY STARTING WITH THE BOTTOM PIVOT & THEN THE TOP SPINDEL.



Please visit www.popstrukt.com/instructions section for more information

STEP 10

FIX TO WALL

STEP 1

INSERT WALL PLUGS INTO THE WALL USING A DRILL.

*Lollipop Locker Double is fixed to wall in two places.

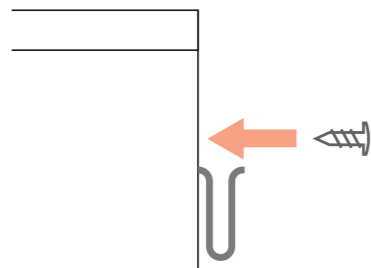


TIP: Blow dirt out of holes.



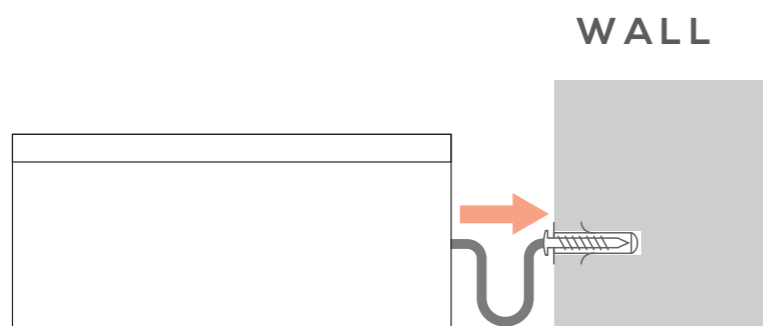
STEP 2

FIX THE MATERIAL STRIPS TO THE BACK OF UNIT USING SCREWS.



STEP 3

FIX THE UNIT TO THE WALL VIA MATERIAL STRIPS.



SUPPLIED



SELF-TAPPING SCREW
2PCS



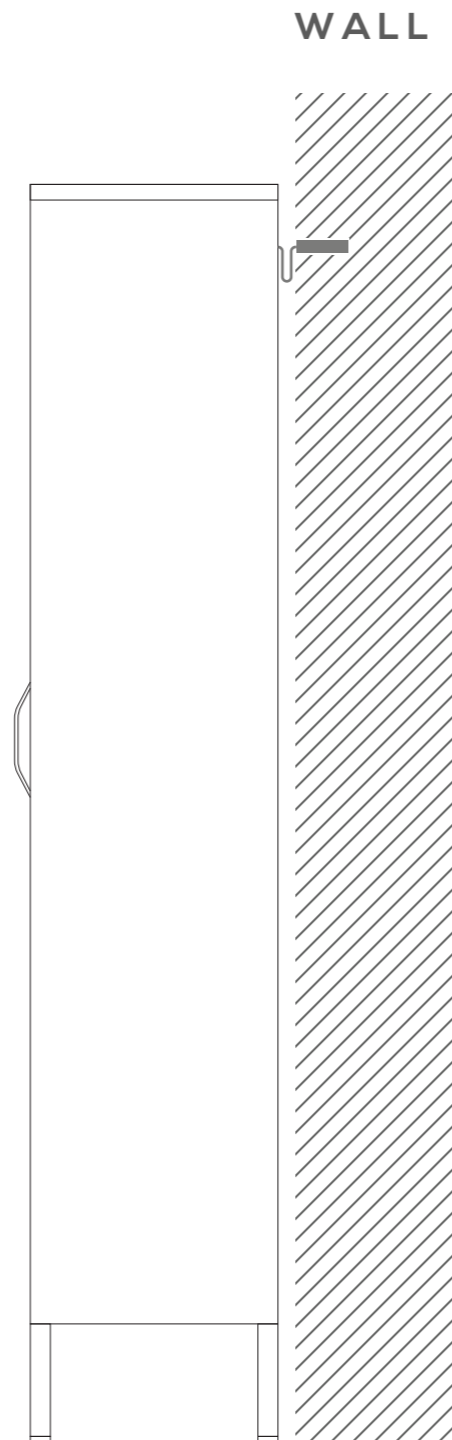
WALL SCREW
2PCS



WALL PLUG
2PCS



WALL FIX STRIP
2PCS



Finish en klaar.

NEED HELP?

Please visit

www.popstrukt.com/resources

for assembly instructions & product care tips.

TAG US

Tag us on Instagram

[@POPSTRUKT.FURNITURE](https://www.instagram.com/POPSTRUKT.FURNITURE)

and show us your assembly journey.



POPSTRUKT FURNITURE



@POPSTRUKT.FURNITURE



POPSTRUKT FURNITURE



SEE "HOW TO" SECTION ON POPSTRUKT YOUTUBE PAGE FOR PRODUCT ADJUSTMENT TIPS.

Please visit www.popstrukt.com/instructions section for more information