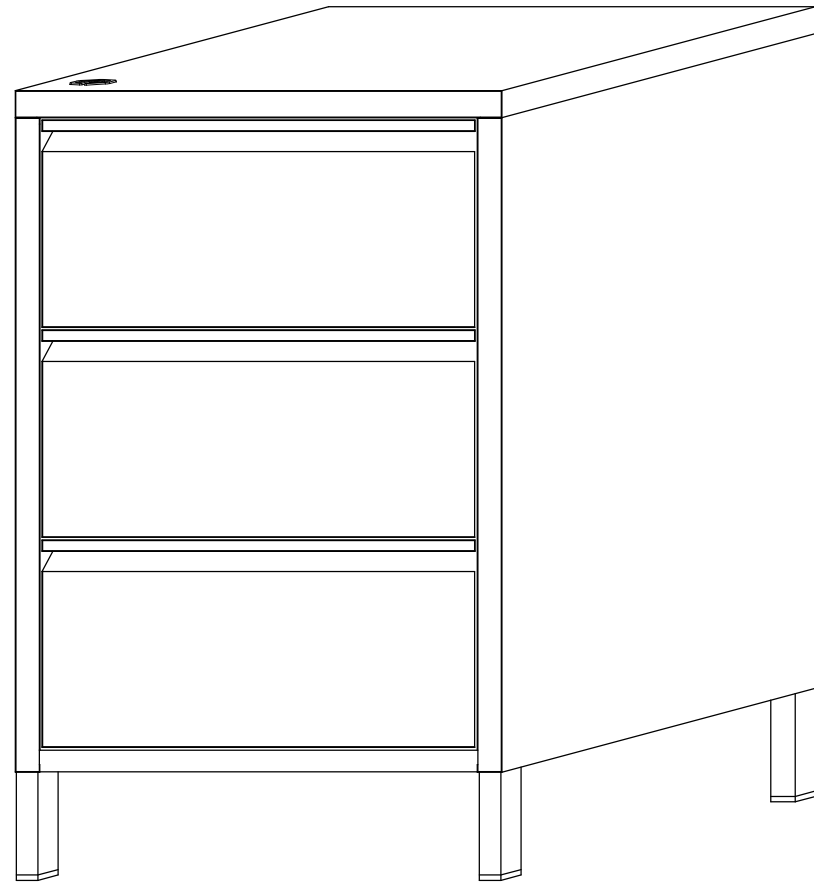


ASSEMBLY INSTRUCTIONS



BON BON SIDE TABLE



CODE | **LD03ST**



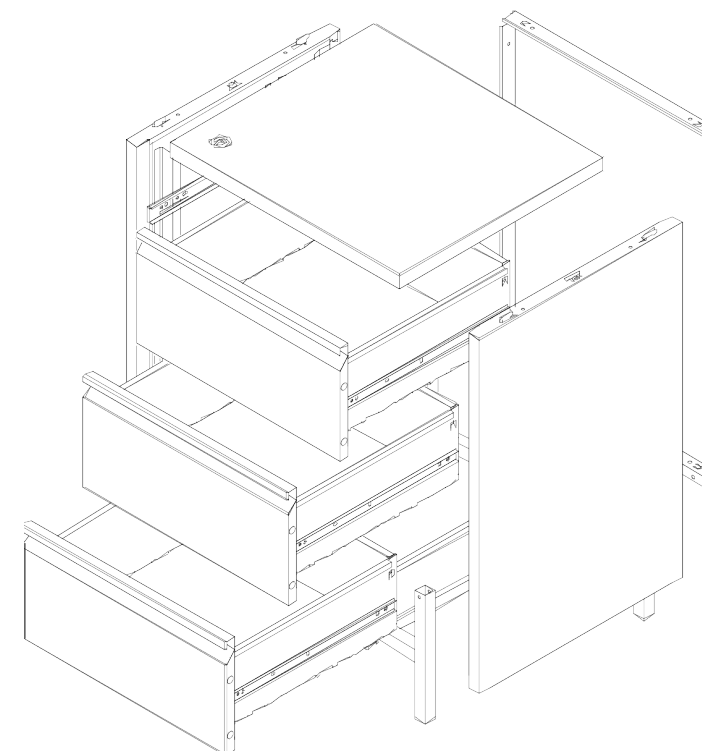
FOR DETAILED ASSEMBLY VIDEOS,
SEARCH POPSTRUKT ON YOUTUBE



WARNING

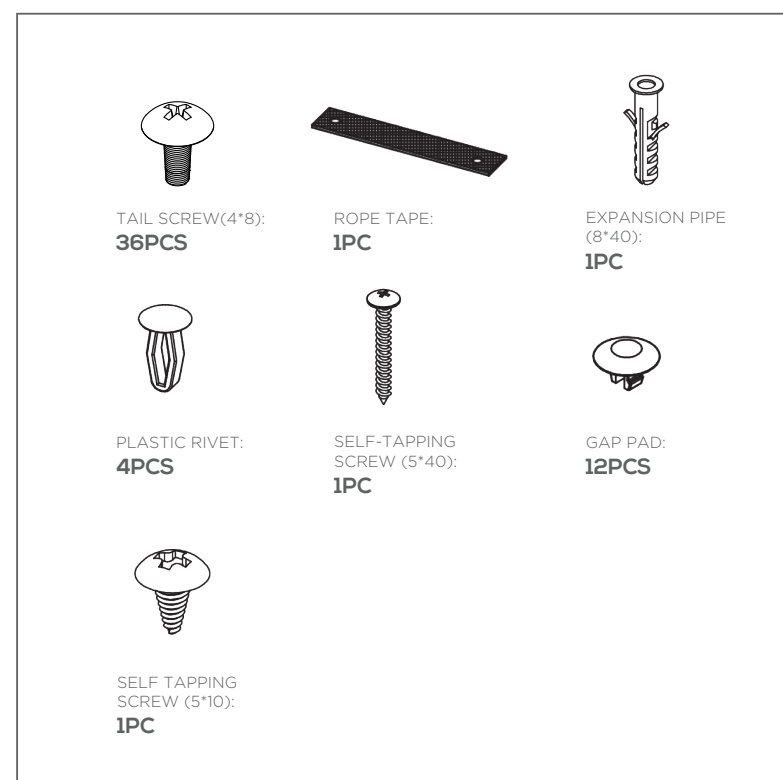
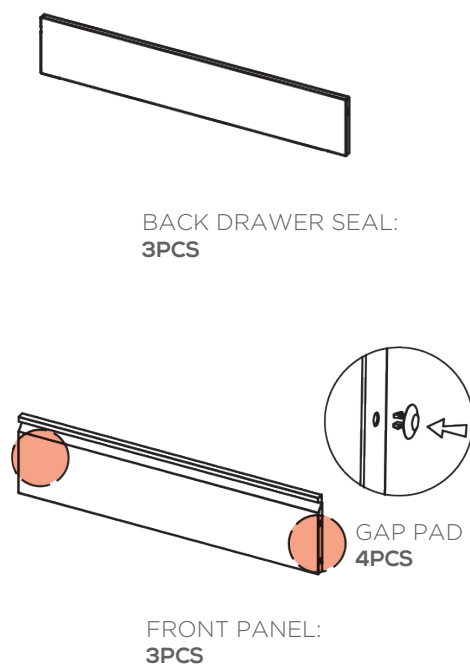
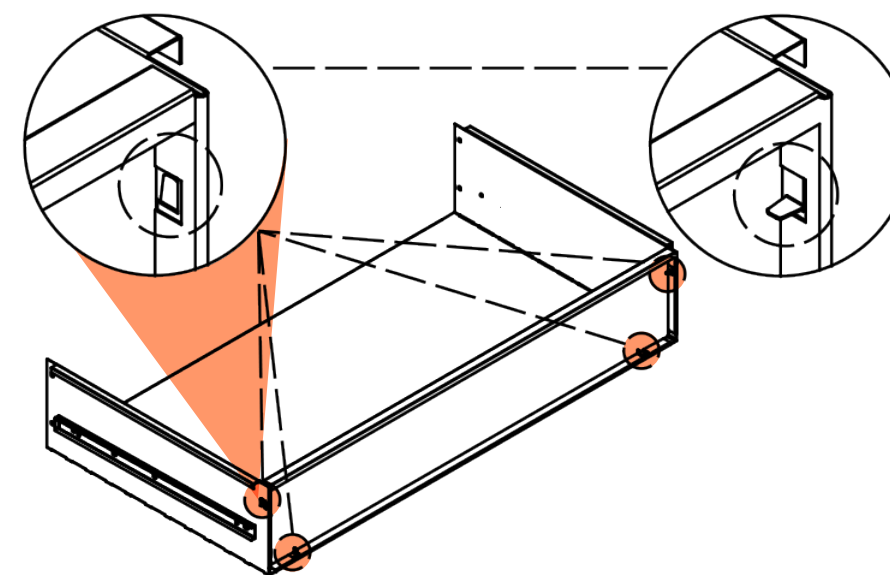
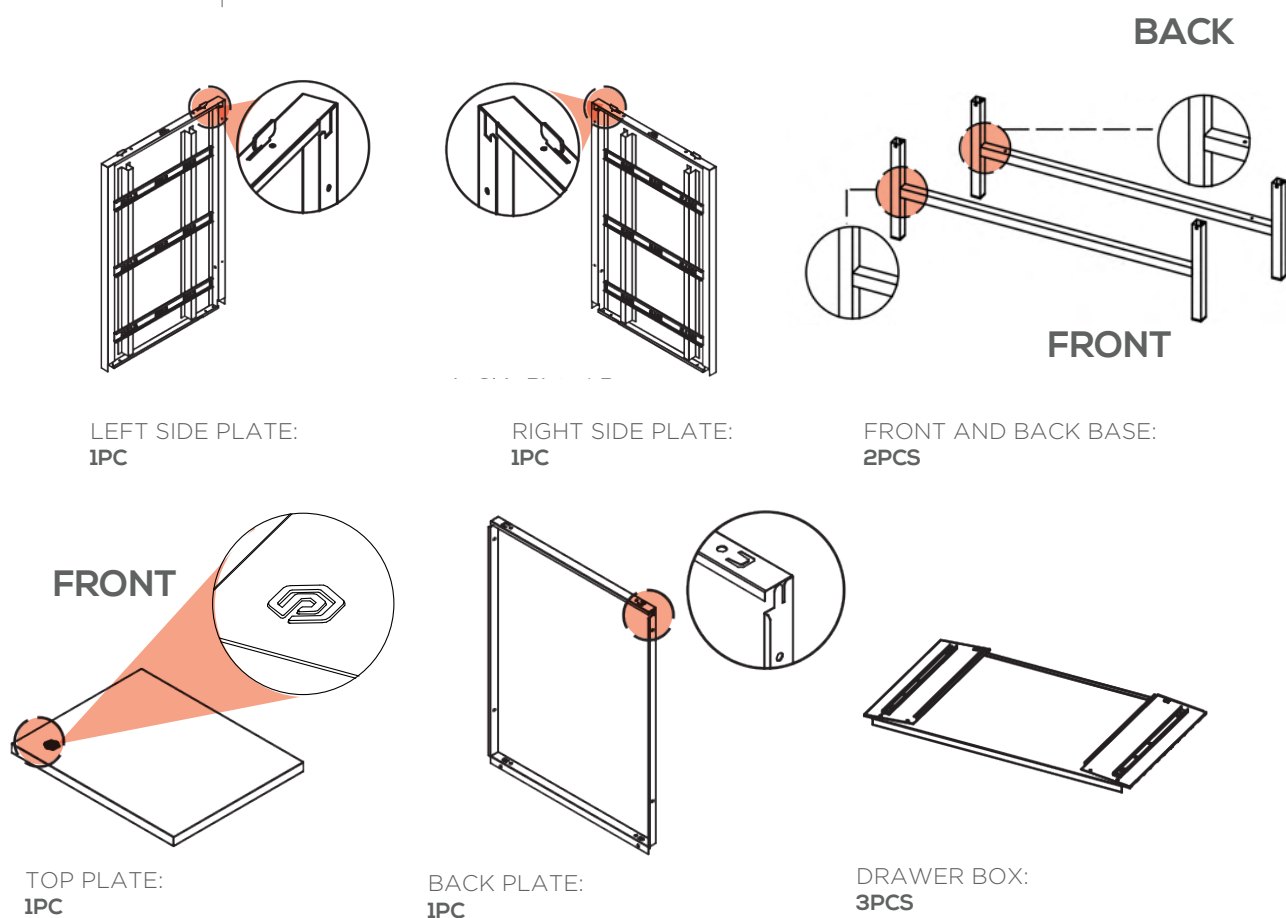
SERIOUS OR FATAL CRUSHING INJURIES CAN OCCUR FROM FURNITURE TIP-OVER. TO PREVENT THIS FURNITURE FROM TIPPING OVER IT MUST BE PERMANENTLY FIXED TO THE WALL. BASIC FIXING DEVICES FOR BRICK WALLS ARE INCLUDED. HOWEVER SINCE DIFFERENT WALL MATERIALS REQUIRE DIFFERENT TYPES OF FIXING DEVICES USE FIXING DEVICES SUITABLE FOR THE WALLS IN YOUR HOME. FOR ADVICE ON SUITABLE FIXING SYSTEMS, CONTACT YOUR LOCAL SPECIALIZED HARDWARE DEALER

ALL THE PIECES



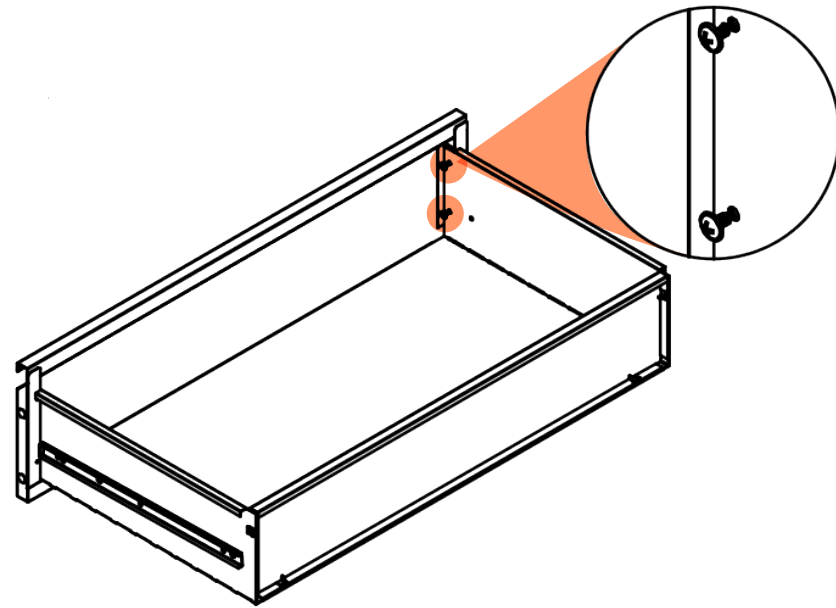
STEP 1

INSTALL THE BACK DRAWER SEAL AS SHOWN IN THE PICTURE.



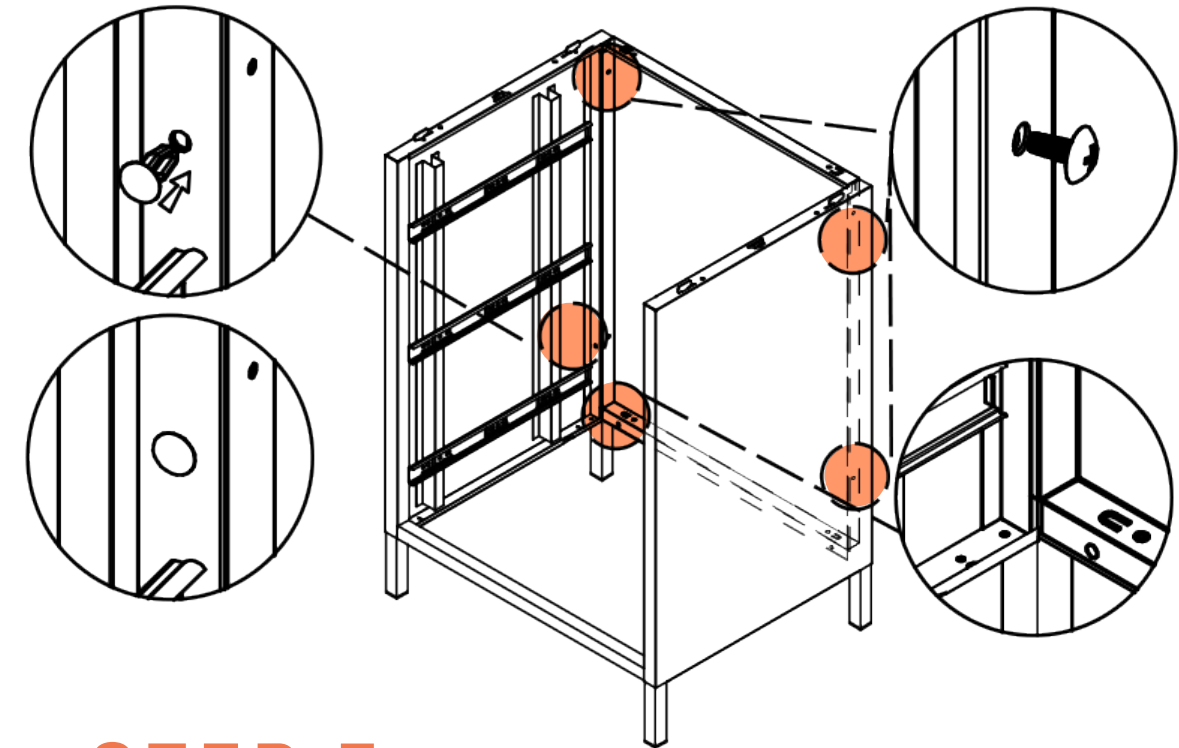
STEP 2

INSTALL THE FRONT PANEL WITH SCREWS (M4*8) .



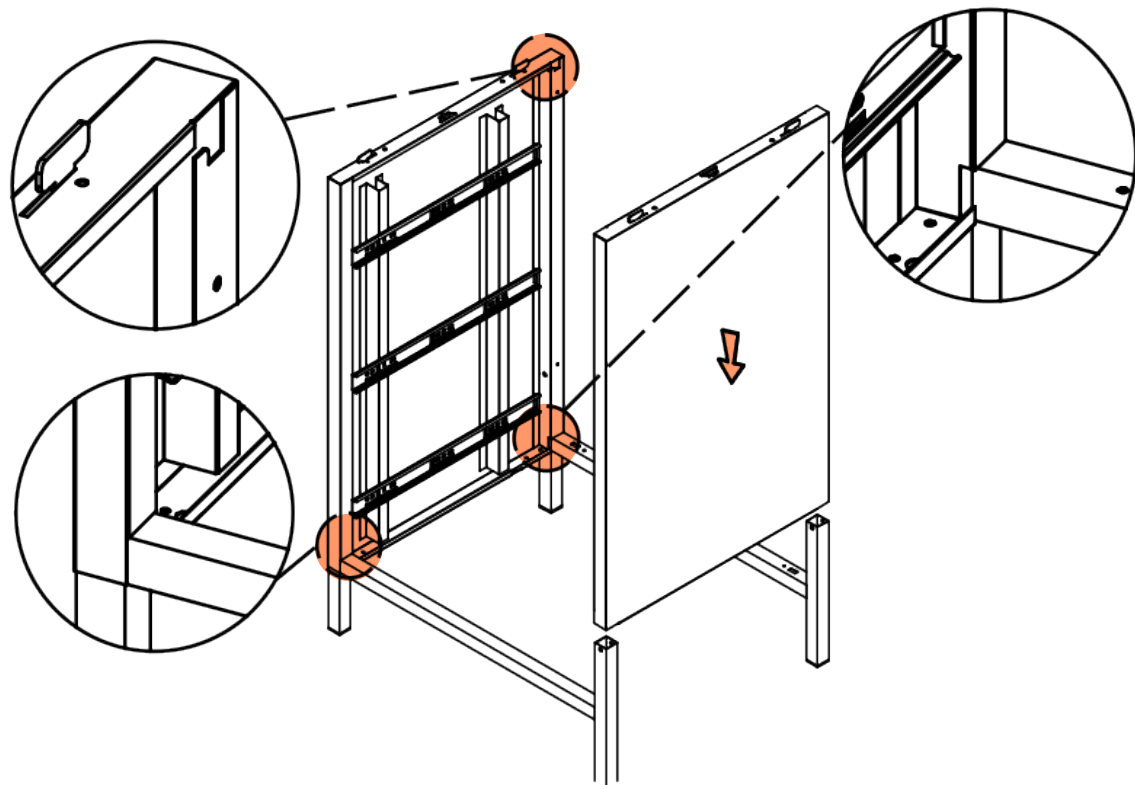
STEP 4

INSTALL THE BACK PLATE & FIX IT WITH TAIL SCREWS.



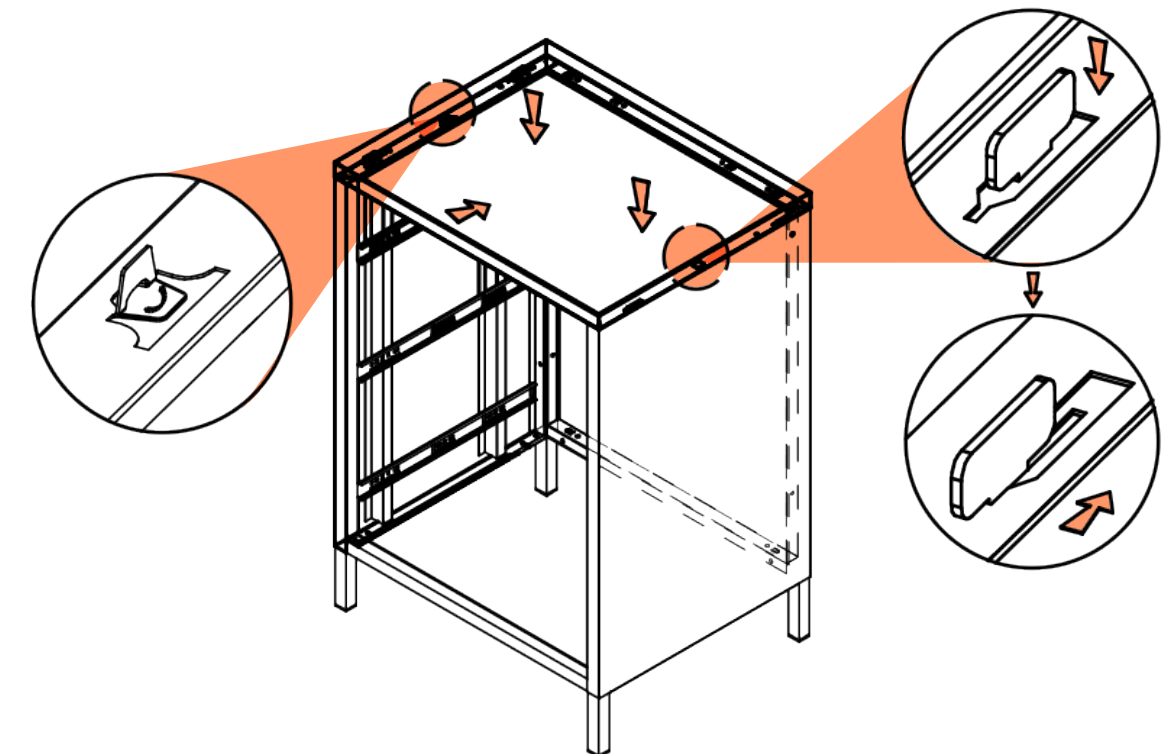
STEP 3

CONNECT LEFT & RIGHT SIDE PLATES WITH FRONT & BACK BASE.



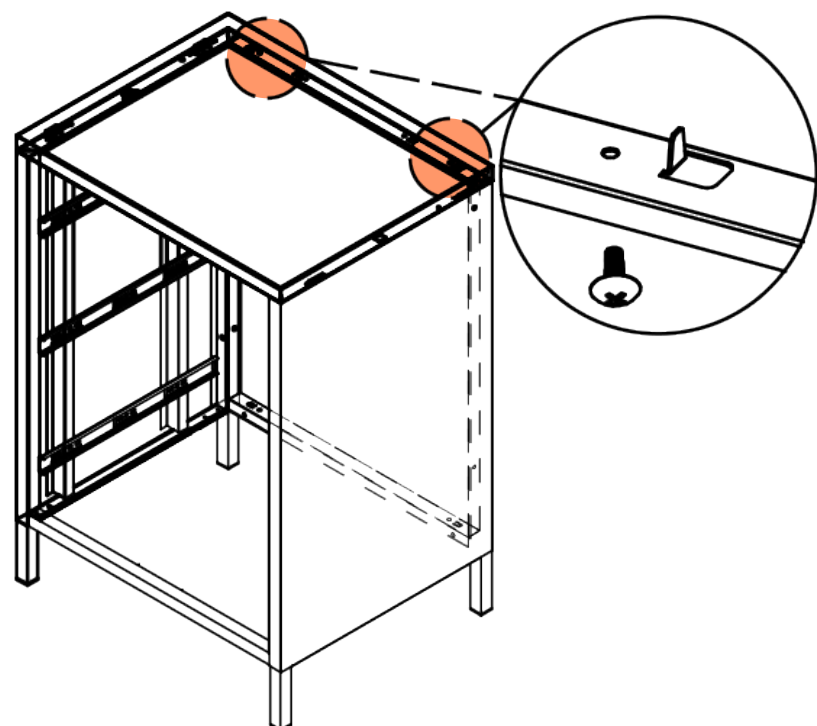
STEP 5

INSTALL THE TOP PLATE.



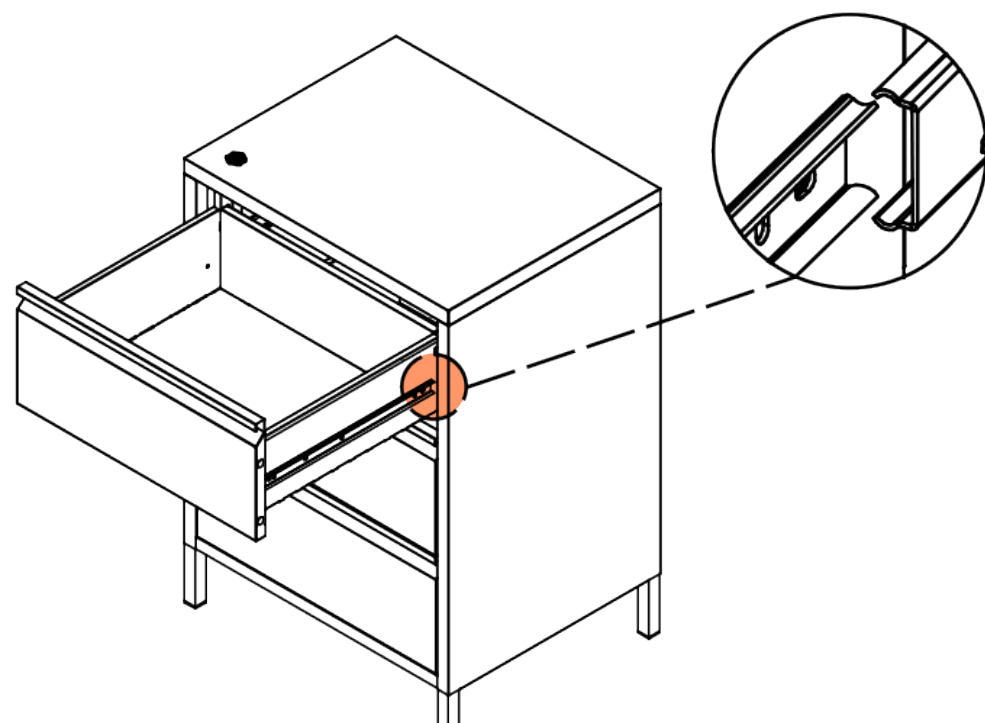
STEP 6

FIX THE TOP PLATE WITH TAIL SCREWS AS SHOWN.



STEP 7

INSTALL THE DRAWERS AS SHOWN IN THE PICTURE (RAILS).

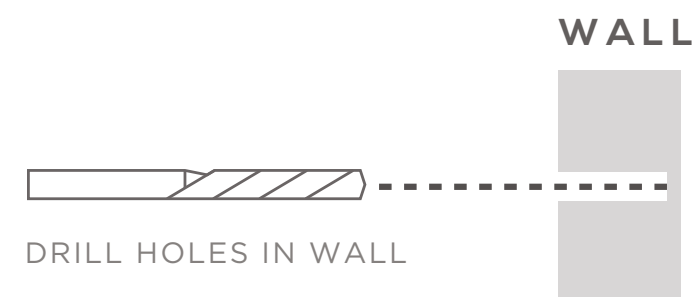


STEP 8

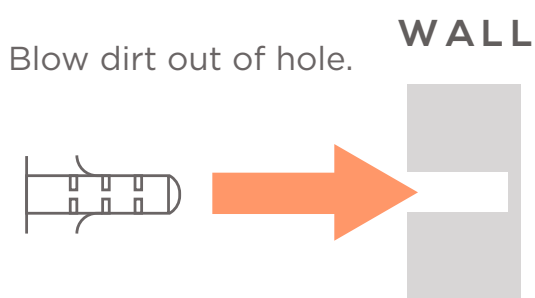
FIX TO WALL

STEP 1

INSERT WALL PLUG INTO THE WALL USING A DRILL.

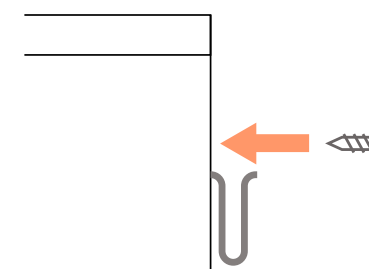


TIP: Blow dirt out of hole.



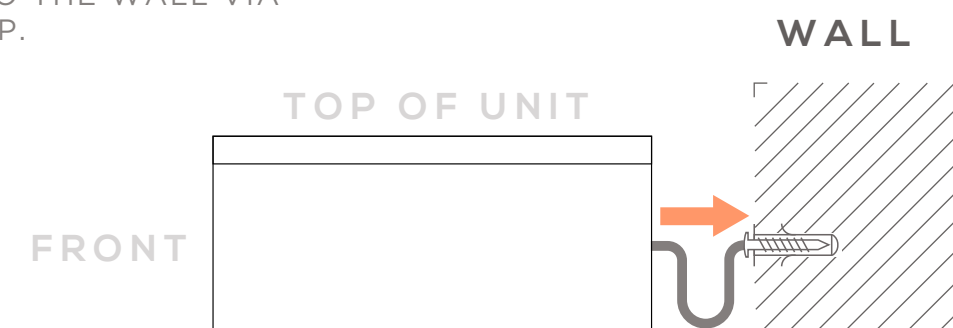
STEP 2

FIX THE MATERIAL STRIP TO THE BACK OF UNIT USING SCREW.



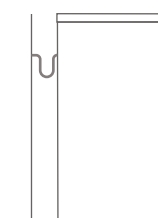
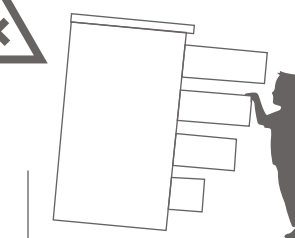
STEP 3

FIX THE UNIT TO THE WALL VIA MATERIAL STRIP.



WARNING

SERIOUS OR FATAL CRUSHING INJURIES CAN OCCUR FROM FURNITURE TIP-OVER. TO PREVENT THIS FURNITURE FROM TIPPING OVER IT MUST BE PERMANENTLY FIXED TO THE WALL. BASIC FIXING DEVICES FOR BRICK WALLS ARE INCLUDED. HOWEVER SINCE DIFFERENT WALL MATERIALS REQUIRE DIFFERENT TYPES OF FIXING DEVICES USE FIXING DEVICES SUITABLE FOR THE WALLS IN YOUR HOME. FOR ADVICE ON SUITABLE FIXING SYSTEMS, CONTACT YOUR LOCAL SPECIALIZED HARDWARE DEALER.



SEE "HOW TO" SECTION ON POPSTRUKT YOUTUBE PAGE FOR PRODUCT ADJUSTMENT TIPS.

Finish en klaar.

NEED HELP?

Please visit

www.popstrukt.com/resources

for assembly instructions & product care tips.

TAG US

Tag us on Instagram

@POPSTRUKT.FURNITURE

and show us your assembly journey.



POPSTRUKT FURNITURE



@POPSTRUKT.FURNITURE



POPSTRUKT FURNITURE