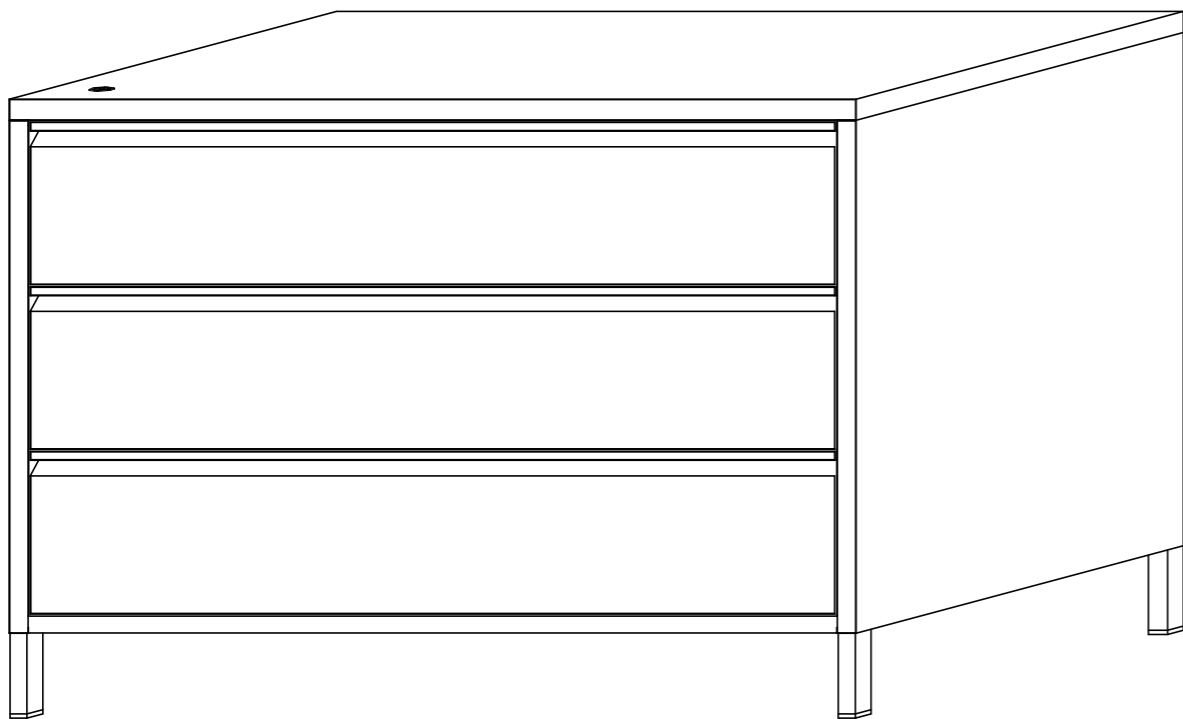


ASSEMBLY INSTRUCTIONS



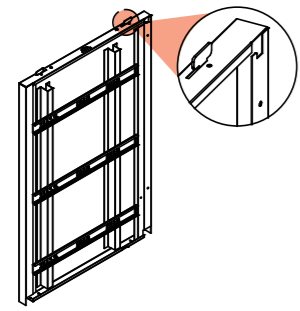
## BON BON SIDEBOARD



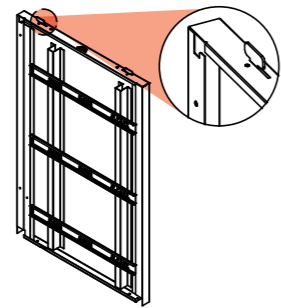
CODE | LD03W



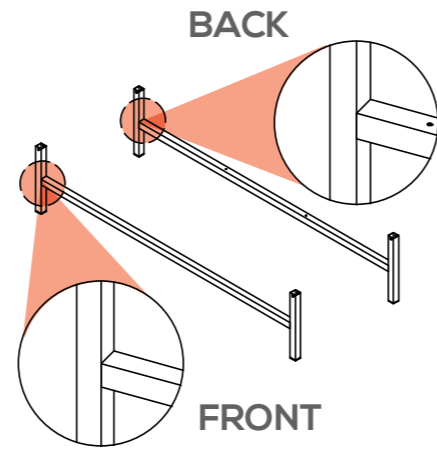
FOR DETAILED ASSEMBLY VIDEOS,  
SEARCH POPSTRUKT ON YOUTUBE



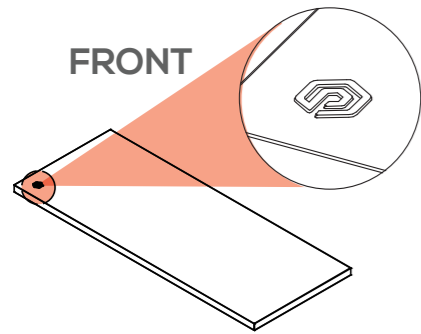
LEFT SIDE PLATE:  
1PC



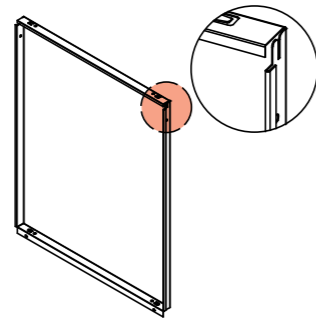
RIGHT SIDE PLATE:  
1PC



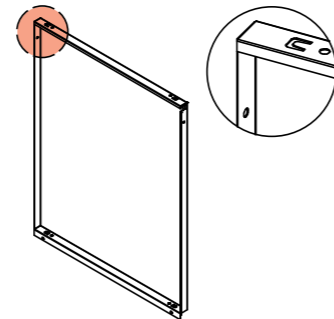
FRONT AND BACK BASE:  
2PCS



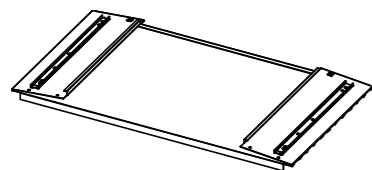
TOP PLATE:  
1PC



LEFT BACK PLATE:  
1PC



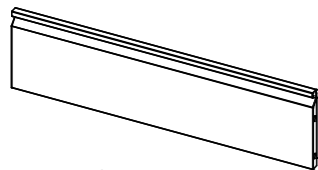
RIGHT BACK PLATE:  
1PC



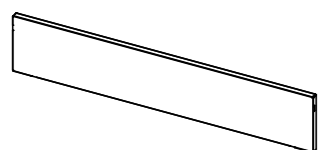
DRAWER BOX:  
3PCS



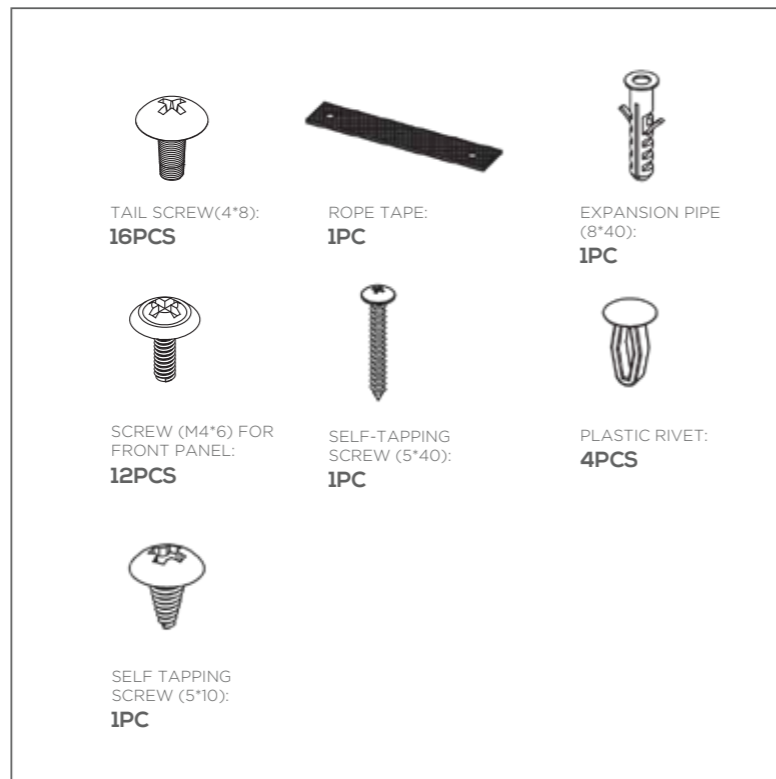
BRACE BASE:  
1PC



FRONT PANEL:  
3PCS



BACK DRAWER SEAL:  
3PCS



TAIL SCREW(4\*8):  
16PCS

ROPE TAPE:  
1PC

EXPANSION PIPE  
(8\*40):  
1PC

SCREW (M4\*6) FOR  
FRONT PANEL:  
12PCS

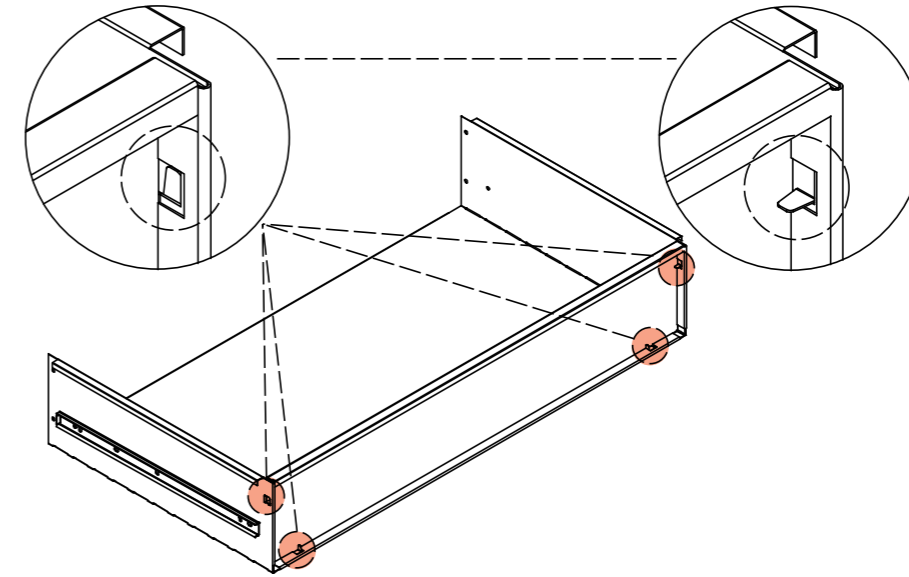
SELF-TAPPING  
SCREW (5\*40):  
1PC

PLASTIC RIVET:  
4PCS

SELF TAPPING  
SCREW (5\*10):  
1PC

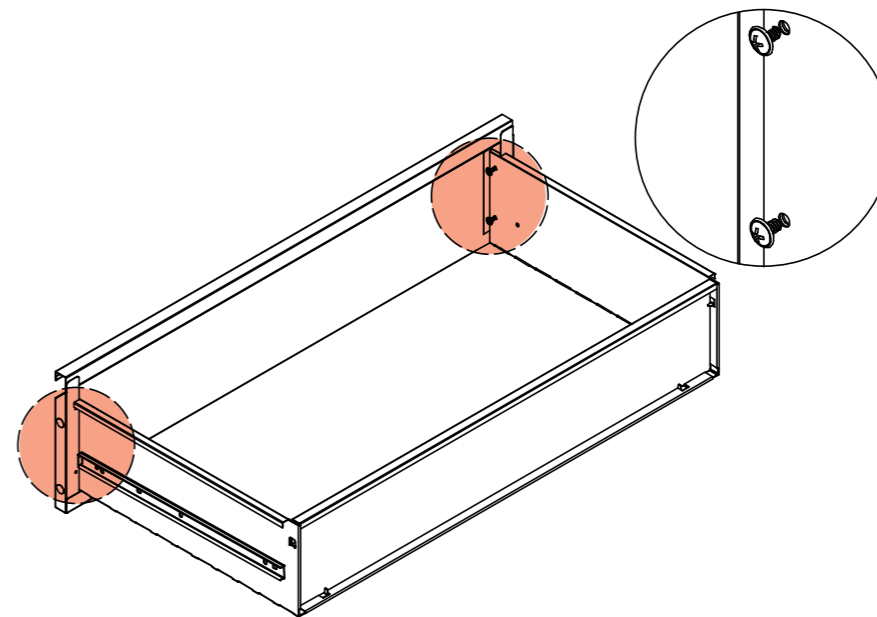
## STEP 1

INSTALL THE BACK DRAWER SEAL AS SHOWN IN PICTURE.



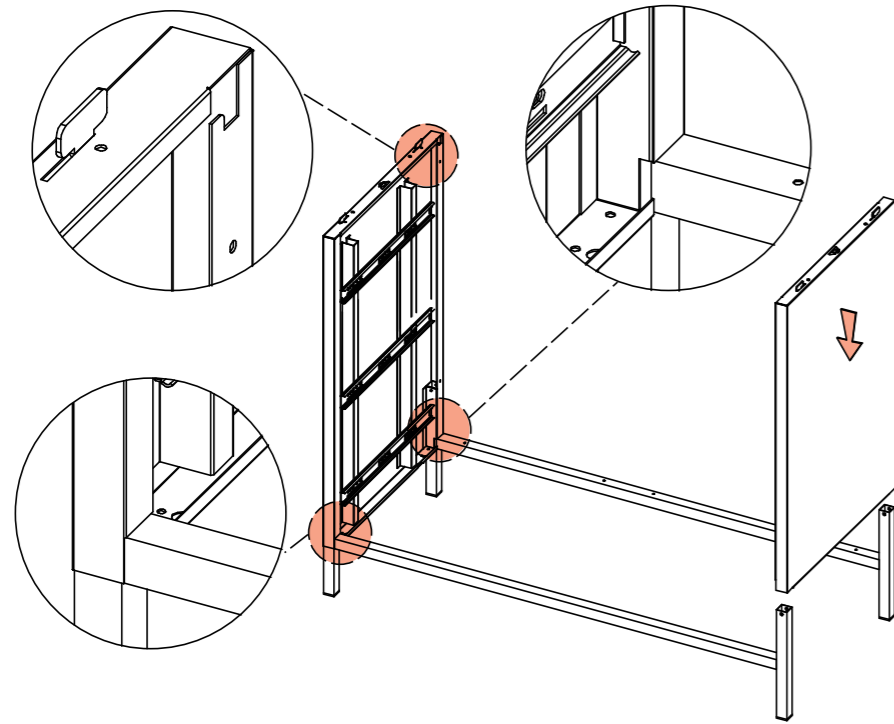
## STEP 2

INSTALL THE FRONT PANEL WITH SCREWS (M4\*6).



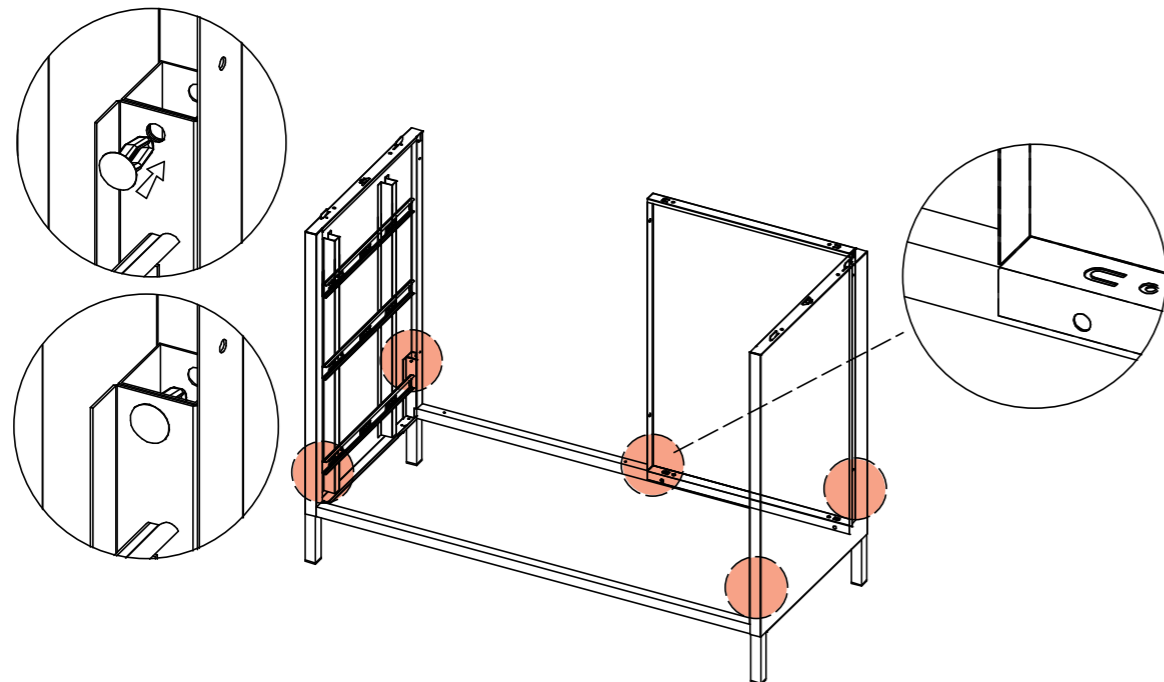
### STEP 3

CONNECT THE LEFT & RIGHT SIDE PLATES WITH FRONT & BACK BASE.



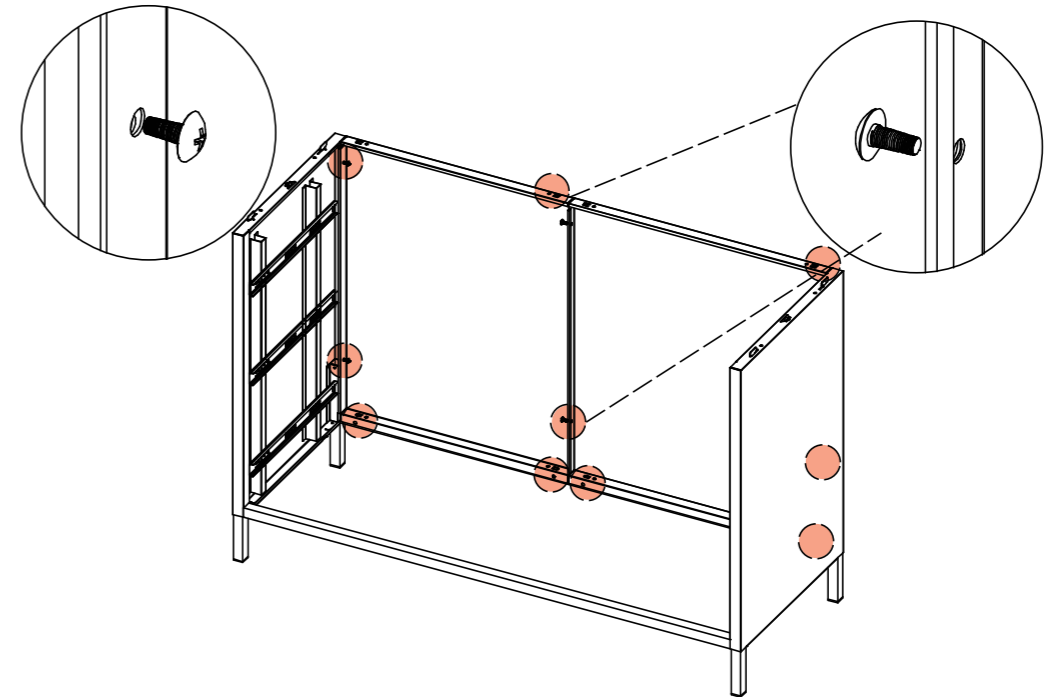
### STEP 4

FIX THE LEFT & RIGHT SIDE PLATES WITH FRONT & BACK BASE BY PLASTIC RIVET. INSTALL THE RIGHT BACK PLATE.



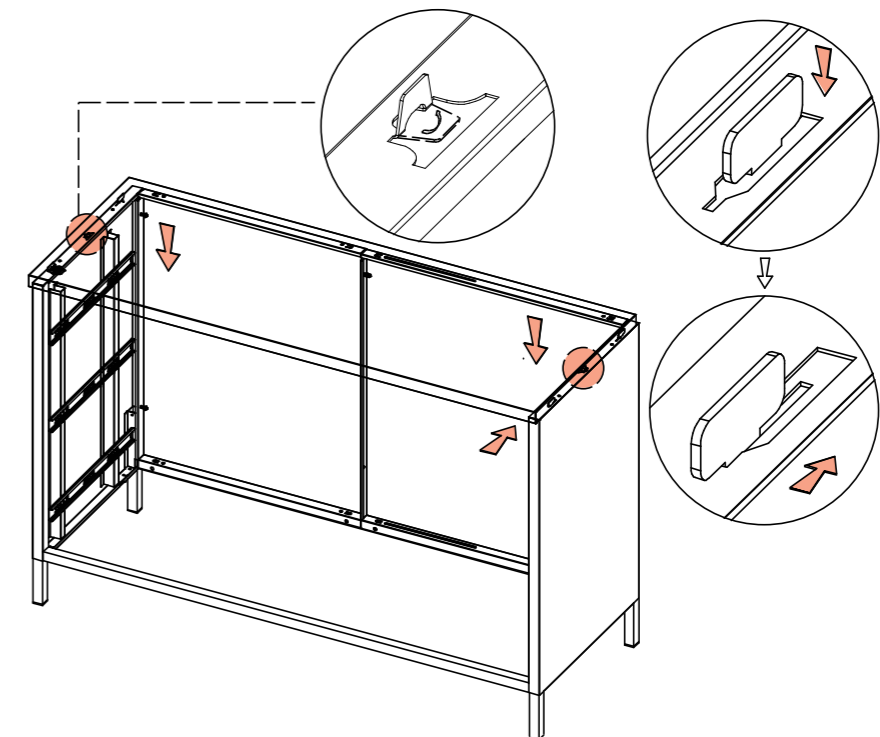
### STEP 5

INSTALL THE LEFT BACK PLATE, & FIX THE LEFT & RIGHT BACK PLATES BY TAIL SCREWS.



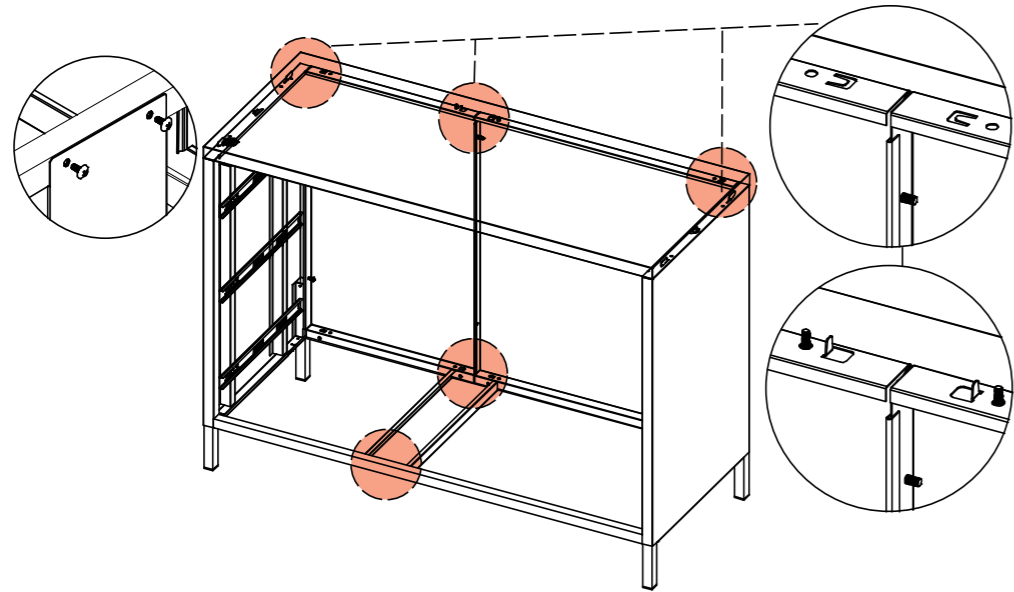
### STEP 6

INSTALL THE TOP PLATE.



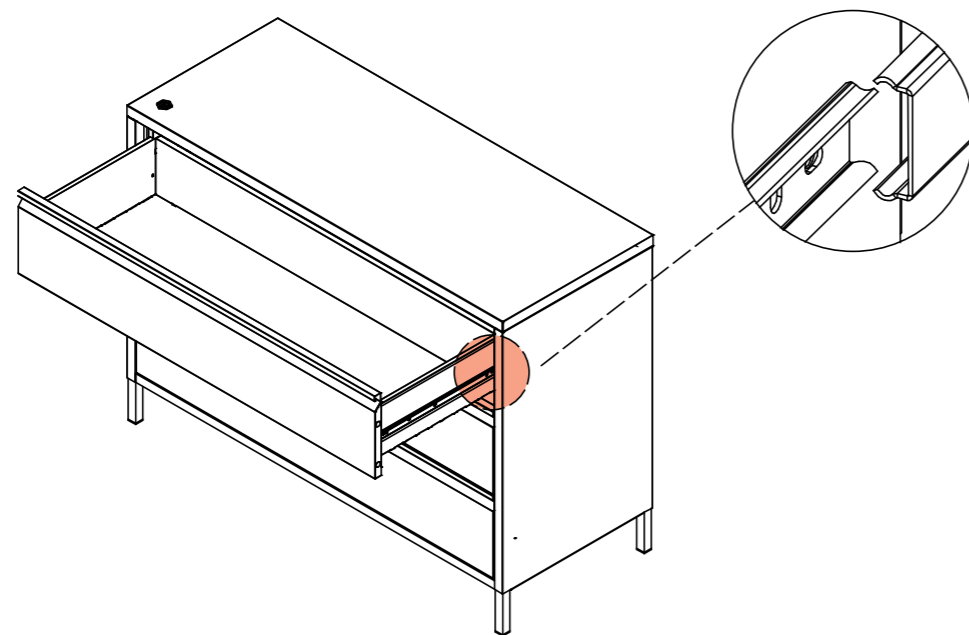
## STEP 7

INSTALL THE BRACE BASE & FIX IT BY TAIL SCREWS. ALSO FIX THE TOP PLATE WITH LEFT & RIGHT BACK PLATE BY TAIL SCREWS AS IN PICTURE.



## STEP 8

INSTALL THE DRAWERS AS SHOWN IN THE PICTURE (RAILS).

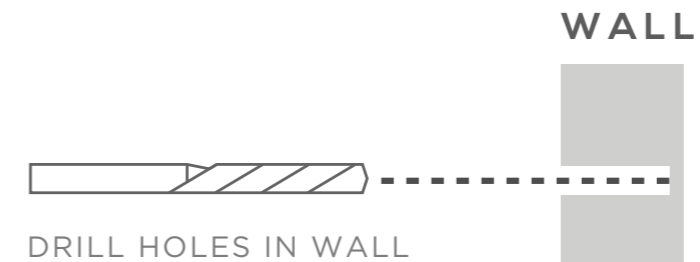


## STEP 9

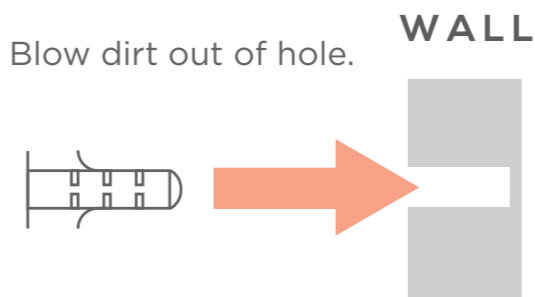
FIX TO WALL

### STEP 1

INSERT WALL PLUG INTO THE WALL USING A DRILL.

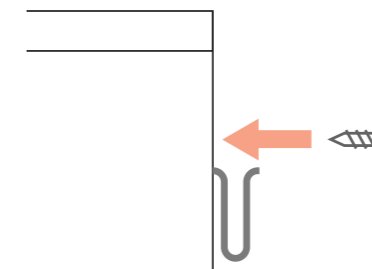


**TIP:** Blow dirt out of hole.



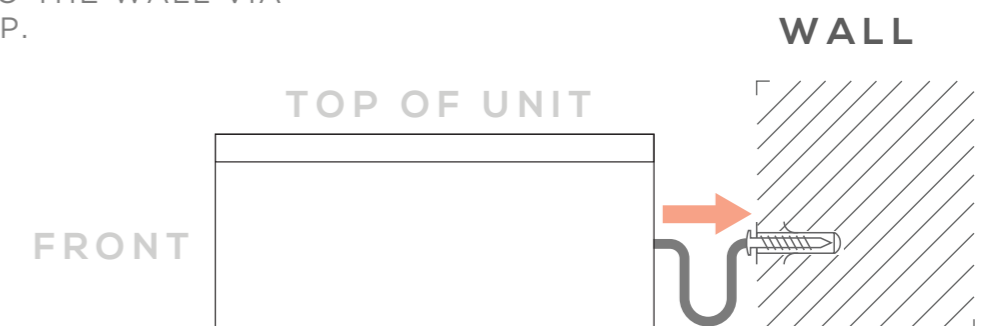
### STEP 2

FIX THE MATERIAL STRIP TO THE BACK OF UNIT USING SCREW.



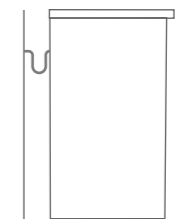
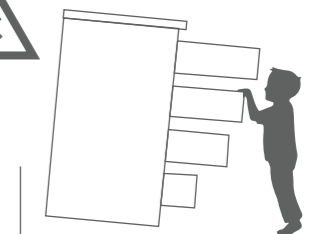
### STEP 3

FIX THE UNIT TO THE WALL VIA MATERIAL STRIP.



### WARNING

SERIOUS OR FATAL CRUSHING INJURIES CAN OCCUR FROM FURNITURE TIP-OVER. TO PREVENT THIS FURNITURE FROM TIPPING OVER IT MUST BE PERMANENTLY FIXED TO THE WALL. BASIC FIXING DEVICES FOR BRICK WALLS ARE INCLUDED. HOWEVER SINCE DIFFERENT WALL MATERIALS REQUIRE DIFFERENT TYPES OF FIXING DEVICES USE FIXING DEVICES SUITABLE FOR THE WALLS IN YOUR HOME. FOR ADVICE ON SUITABLE FIXING SYSTEMS, CONTACT YOUR LOCAL SPECIALIZED HARDWARE DEALER.



SEE "HOW TO" SECTION ON POPSTRUKT YOUTUBE PAGE FOR PRODUCT ADJUSTMENT TIPS.



SEE "HOW TO" SECTION ON POPSTRUKT YOUTUBE PAGE FOR PRODUCT ADJUSTMENT TIPS.

# Finish en klaar.

## NEED HELP?

Please visit

*[www.popstrukt.com/resources](http://www.popstrukt.com/resources)*

for assembly instructions & product care tips.

## TAG US

Tag us on Instagram

*@POPSTRUKT.FURNITURE*

and show us your assembly journey.



POPSTRUKT FURNITURE



@POPSTRUKT.FURNITURE



POPSTRUKT FURNITURE