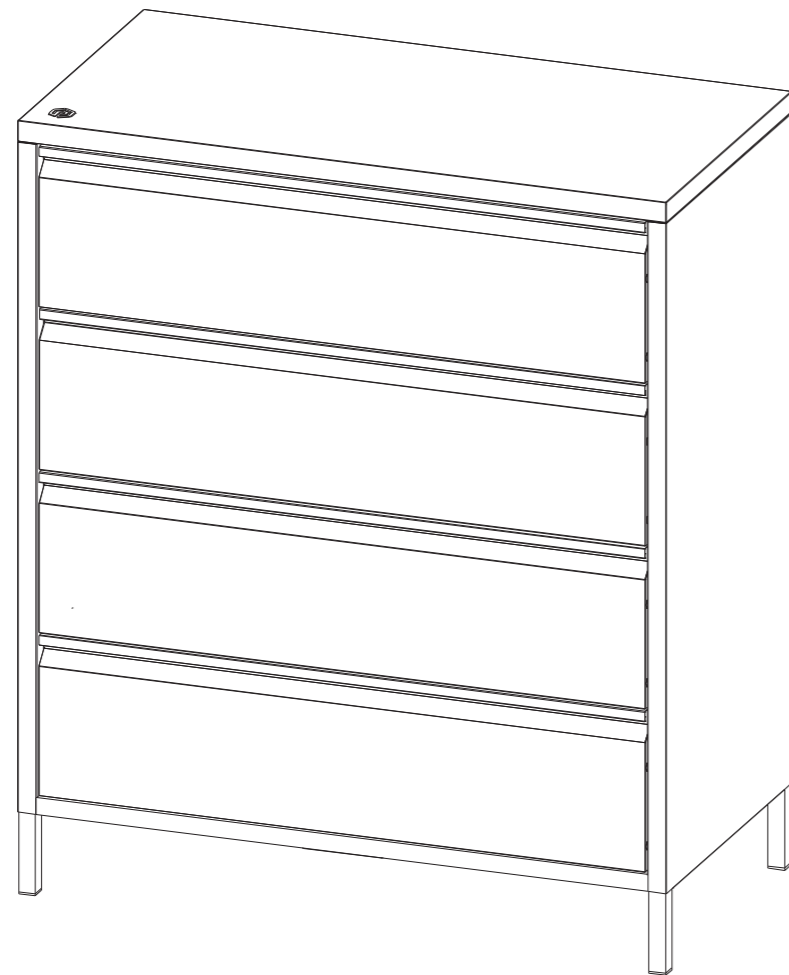


ASSEMBLY INSTRUCTIONS



BON BON CHEST OF DRAWERS



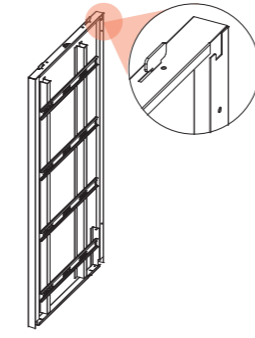
CODE | LD04

Please visit www.popstrukt.com/instructions section for more information

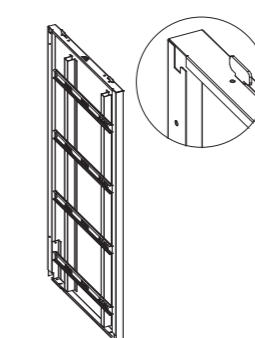


WARNING

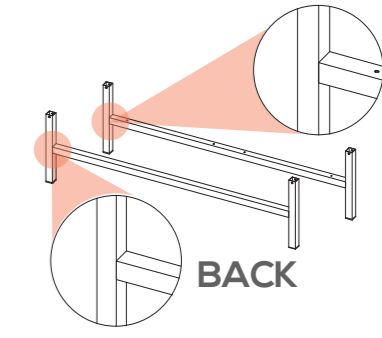
SERIOUS OR FATAL CRUSHING INJURIES CAN OCCUR FROM FURNITURE TIP-OVER. TO PREVENT THIS FURNITURE FROM TIPPING OVER IT MUST BE PERMANENTLY FIXED TO THE WALL. BASIC FIXING DEVICES FOR BRICK WALLS ARE INCLUDED. HOWEVER SINCE DIFFERENT WALL MATERIALS REQUIRE DIFFERENT TYPES OF FIXING DEVICES USE FIXING DEVICES SUITABLE FOR THE WALLS IN YOUR HOME. FOR ADVICE ON SUITABLE FIXING SYSTEMS, CONTACT YOUR LOCAL SPECIALIZED HARDWARE DEALER



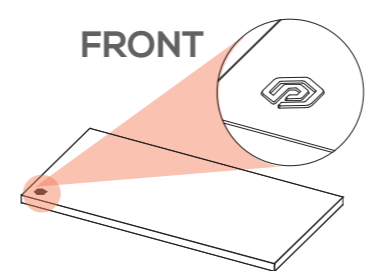
LEFT SIDE PLATE:
1PC



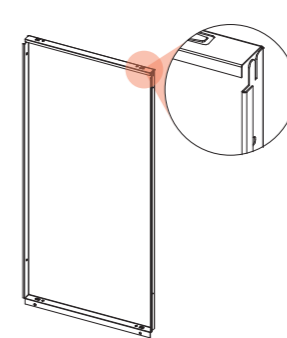
RIGHT SIDE PLATE:
1PC



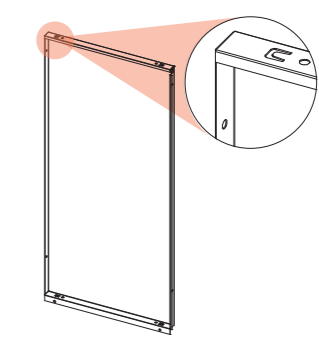
FRONT AND BACK BASE:
2PCS



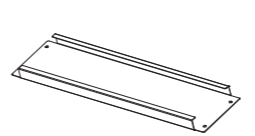
FRONT
TOP PLATE:
1PC



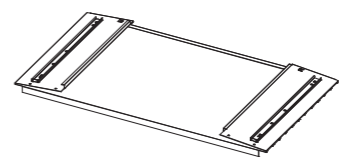
LEFT BACK PLATE:
1PC



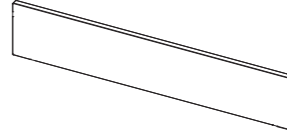
RIGHT BACK PLATE:
1PC



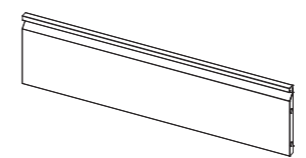
BRACE BASE:
1PC










DRAWER BOX:
4PCS



BACK DRAWER SEAL:
4PCS



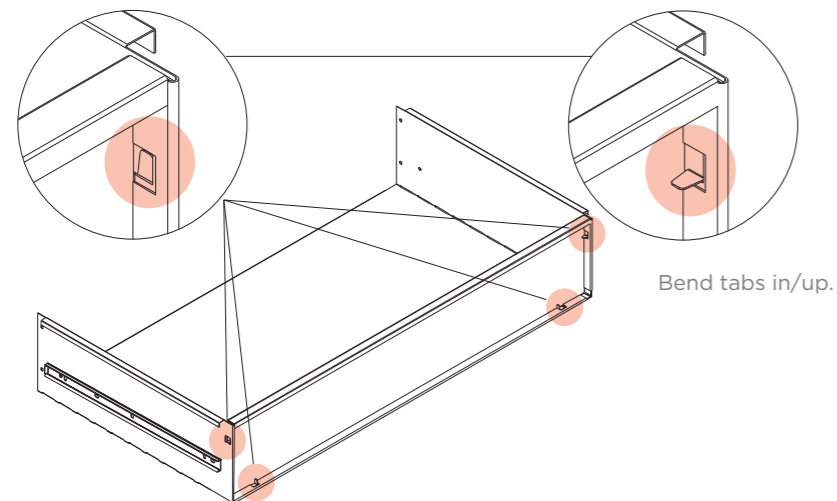
FRONT PANEL:
4PCS

 TAILSCREW(4*10): 20PCS	 PLASTICRIVET: 4PCS	 SCREW(M4*6) FOR FRONT PANEL: 16PCS	<p>WALL FIXTURE</p>  SELF-TAPPING SCREW 1PC	 WALL PLUG 1PC
			 WALL SCREW 1PC	 WALL FIX STRIP 1PC

Please visit www.popstrukt.com/instructions section for more information

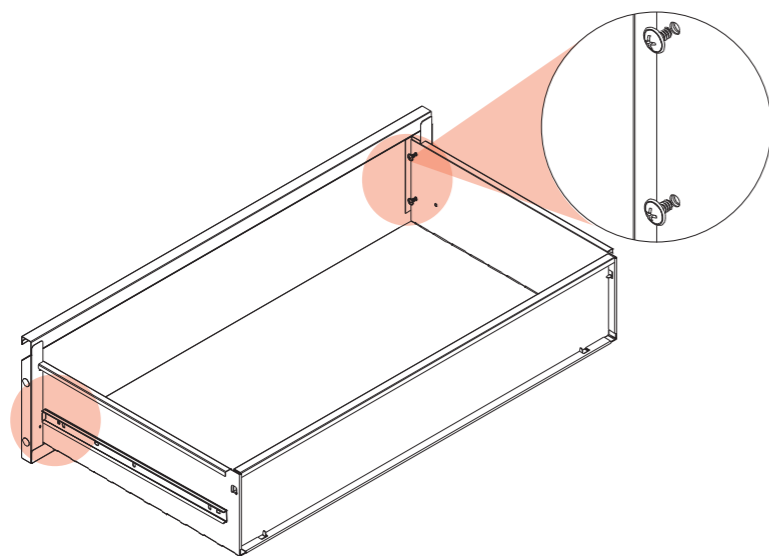
STEP 1

INSTALL THE BACK DRAWER SEAL AS SHOWN IN THE PICTURE.
AS SHOWN IN THE PICTURE.



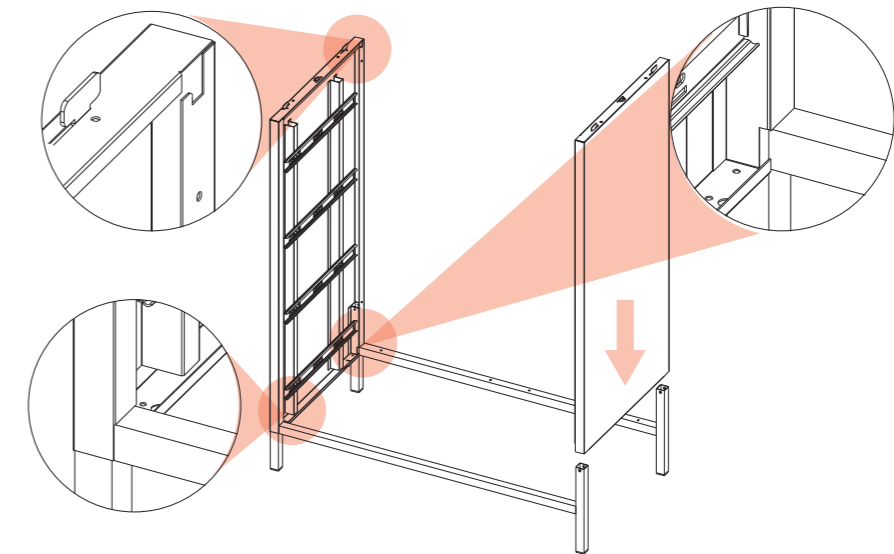
STEP 2

INSTALL THE FRONT PANEL WITH SCREWS (M4*6).



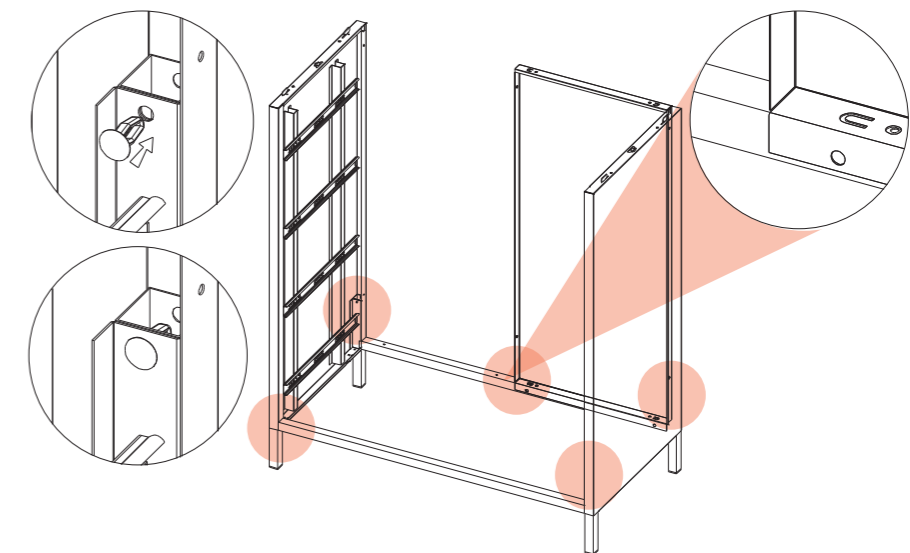
STEP 3

CONNECT THE LEFT AND RIGHT
SIDE PLATES WITH FRONT AND BACK BASE.



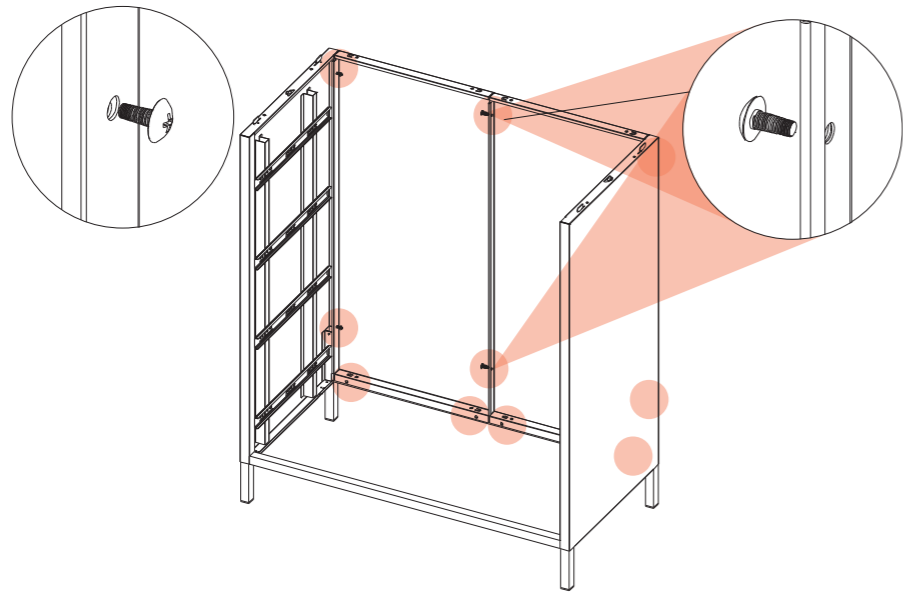
STEP 4

FIX THE LEFT & RIGHT SIDE PLATES WITH FRONT AND BACK
BASE BY PLASTIC RIVET. INSTALL THE RIGHT BACK PLATE.



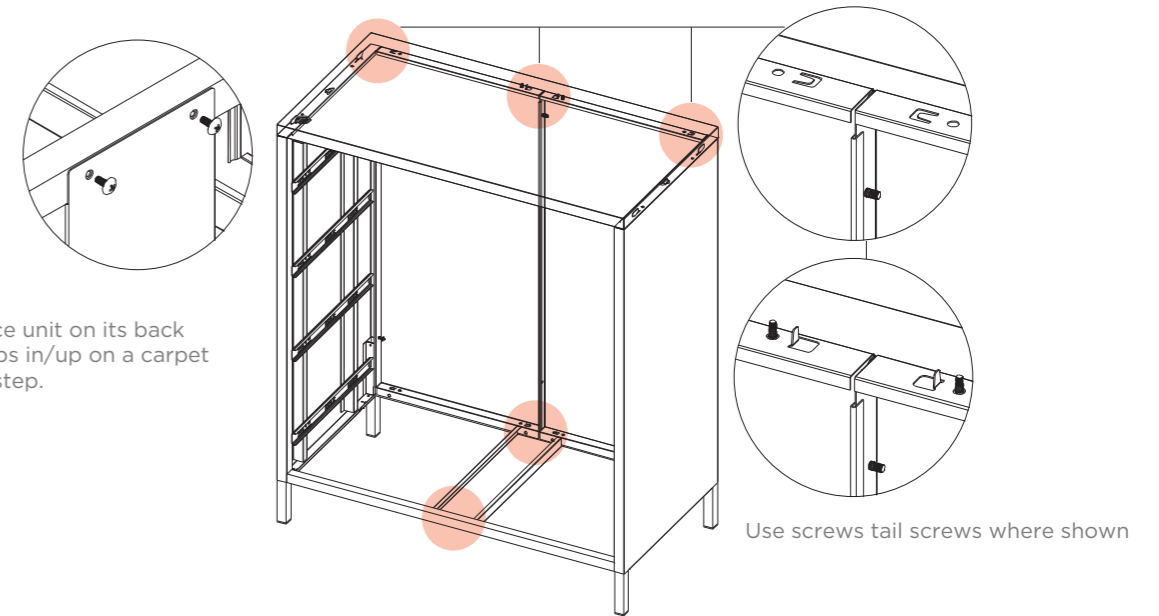
STEP 5

INSTALL THE LEFT BACK PLATE, AND FIX THE LEFT AND RIGHT BACK PLATES BY TAIL SCREWS.



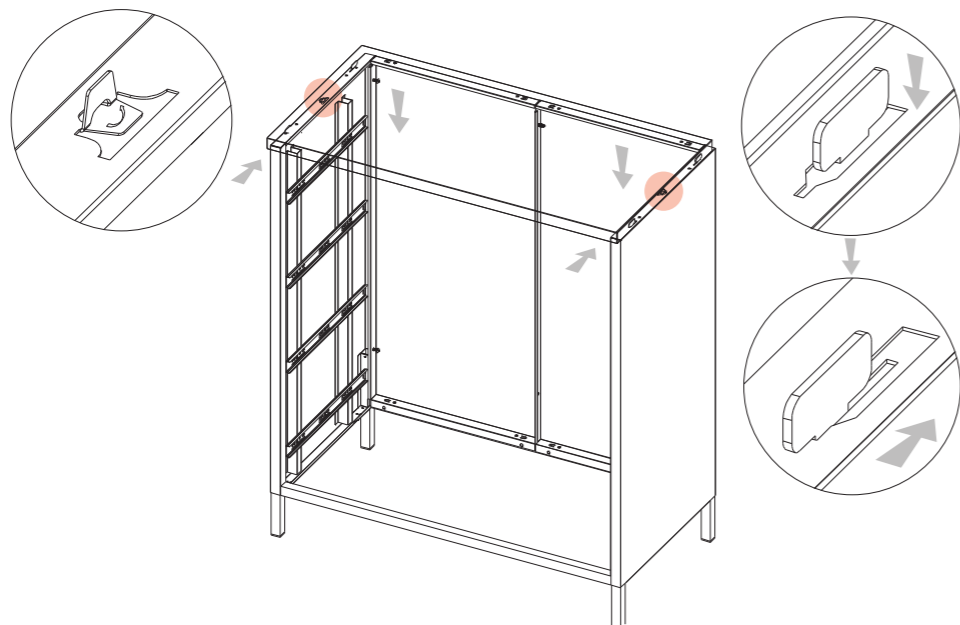
STEP 7

INSTALL TOP AND BASE BRACE AS SHOWN.



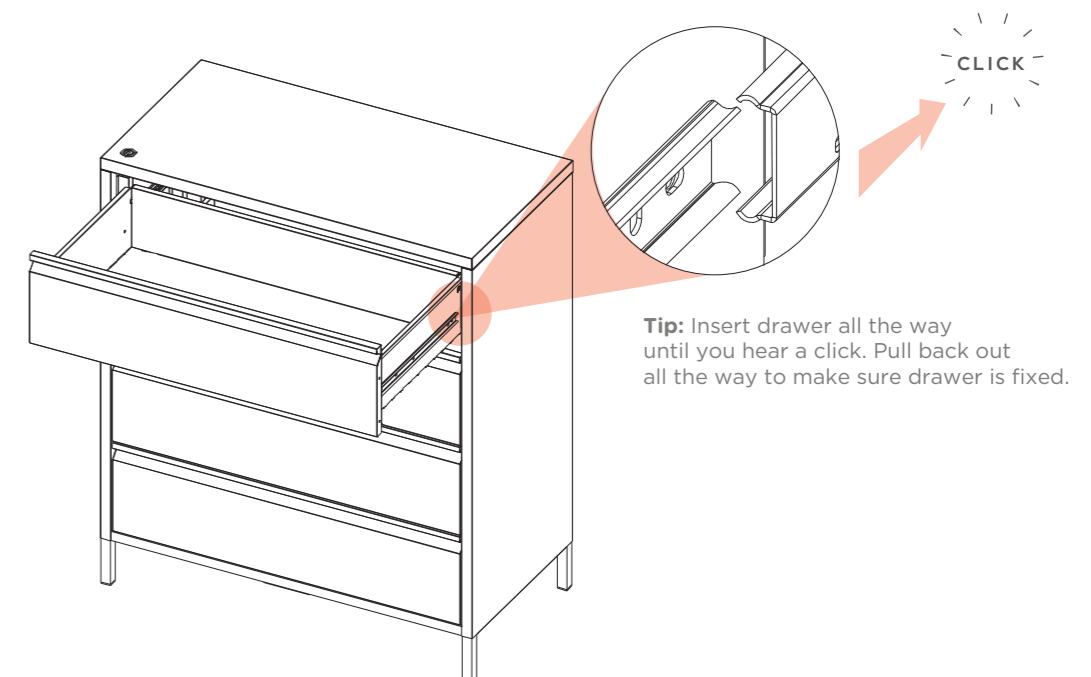
STEP 6

INSTALL TOP PLATE



STEP 8

INSTALL THE DRAWERS AS SHOWN IN THE PICTURE (RAILS).



STEP 9

FIX TO WALL

STEP 1

INSERT WALL PLUG INTO THE WALL USING A DRILL.



SELF-TAPPING SCREW
IPC



WALL PLUG
IPC

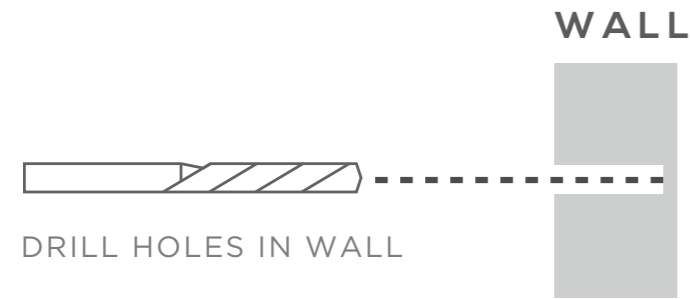


WALL SCREW
IPC



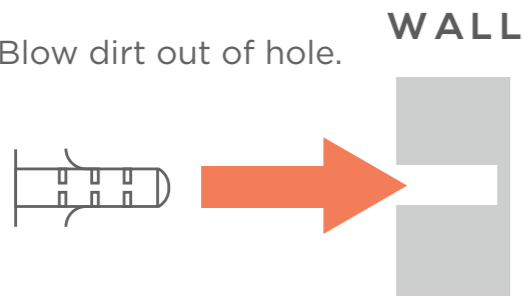
WALL FIX STRIP
IPC

SUPPLIED



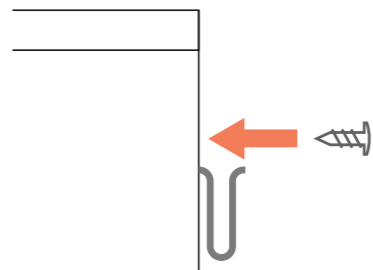
DRILL HOLES IN WALL

TIP: Blow dirt out of hole.



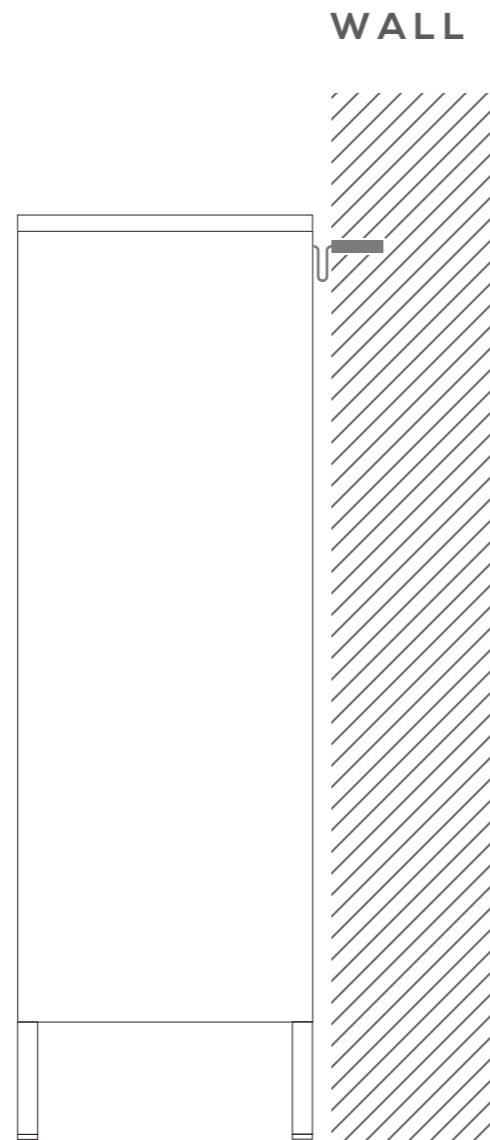
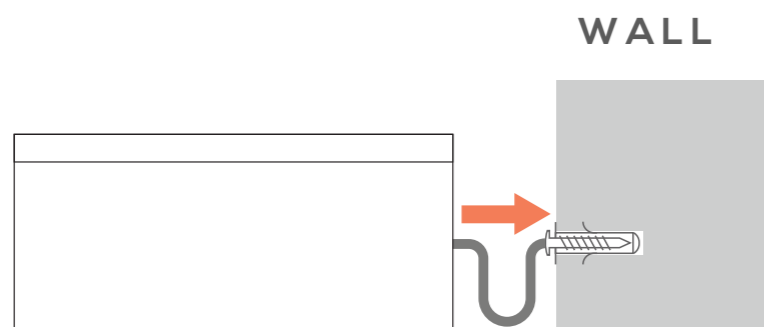
STEP 2

FIX THE MATERIAL STRIP TO THE BACK OF UNIT USING SCREW.



STEP 3

FIX THE UNIT TO THE WALL VIA MATERIAL STRIP.



Finish en klaar.

NEED HELP?

Please visit

www.popstrukt.com/instructions

section for more detailed information
and assembly videos



POPSTRUKT FURNITURE



@POPSTRUKT_COM



@POPSTRUKT.FURNITURE



POPSTRUKT FURNITURE