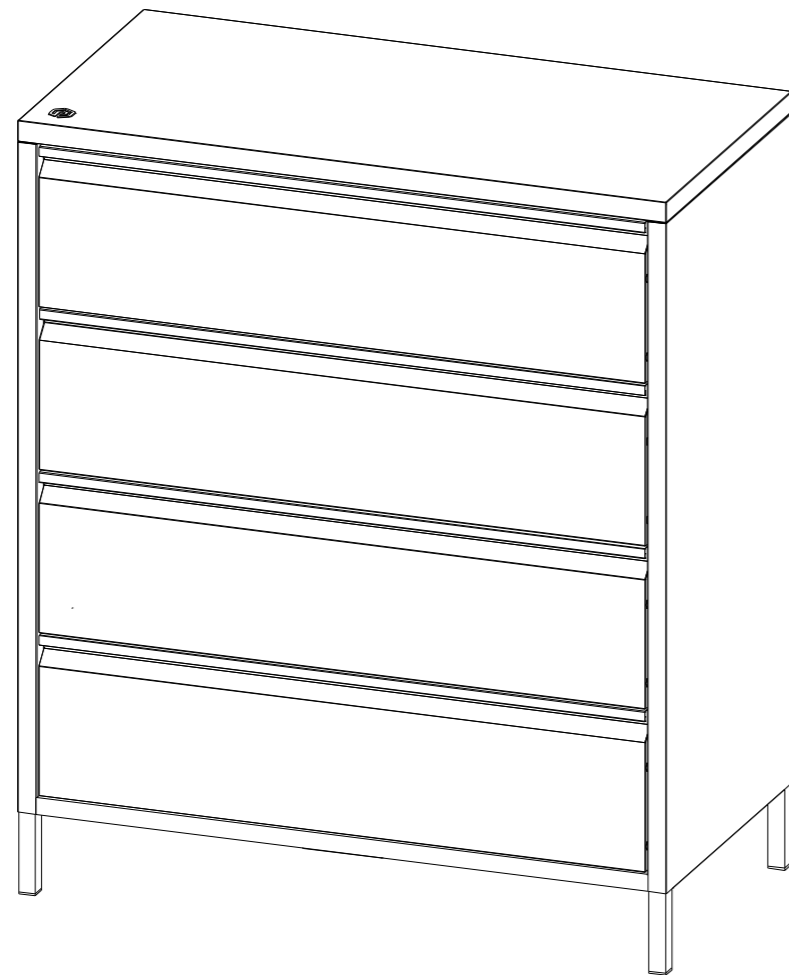


# ASSEMBLY INSTRUCTIONS



## BON BON CHEST OF DRAWERS



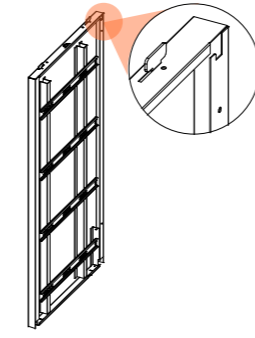
CODE | LD04

Please visit [www.popstrukt.com/instructions](http://www.popstrukt.com/instructions) section for more information

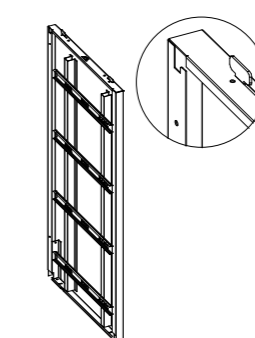


### WARNING

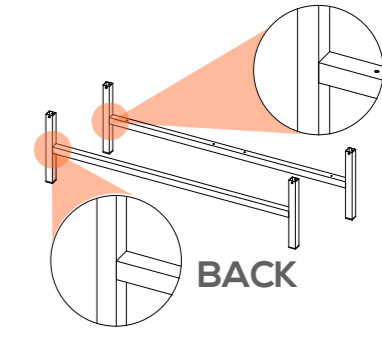
SERIOUS OR FATAL CRUSHING INJURIES CAN OCCUR FROM FURNITURE TIP-OVER. TO PREVENT THIS FURNITURE FROM TIPPING OVER IT MUST BE PERMANENTLY FIXED TO THE WALL. BASIC FIXING DEVICES FOR BRICK WALLS ARE INCLUDED. HOWEVER SINCE DIFFERENT WALL MATERIALS REQUIRE DIFFERENT TYPES OF FIXING DEVICES USE FIXING DEVICES SUITABLE FOR THE WALLS IN YOUR HOME. FOR ADVICE ON SUITABLE FIXING SYSTEMS, CONTACT YOUR LOCAL SPECIALIZED HARDWARE DEALER



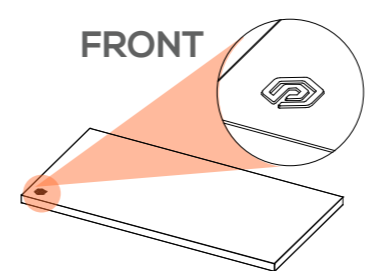
LEFT SIDE PLATE:  
1PC



RIGHT SIDE PLATE:  
1PC

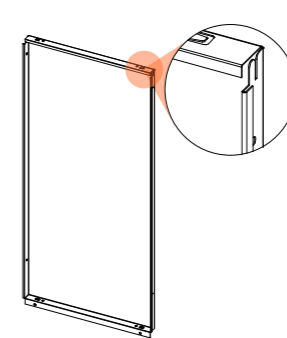


FRONT AND BACK BASE:  
2PCS

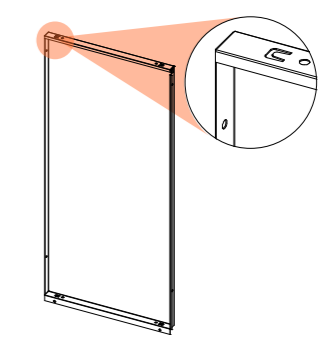


FRONT

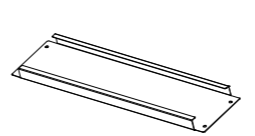
TOP PLATE:  
1PC



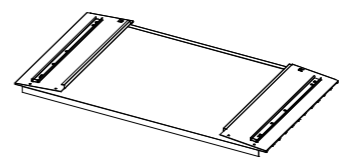
LEFT BACK PLATE:  
1PC



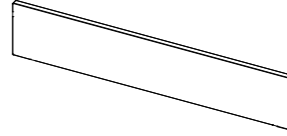
RIGHT BACK PLATE:  
1PC



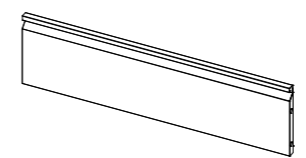
BRACE BASE:  
1PC





DRAWER BOX:  
4PCS




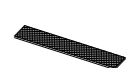


BACK DRAWER SEAL:  
4PCS



FRONT PANEL:  
4PCS

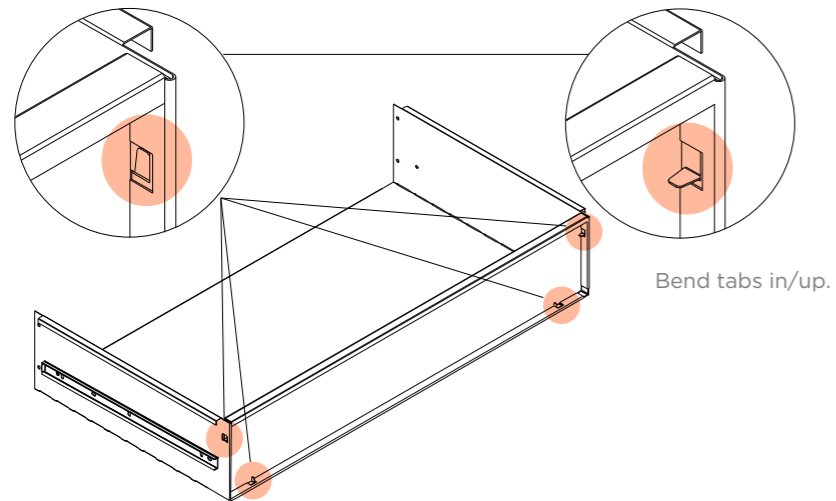
<b>TAILSCREW(4*8): 36PCS</b>		<b>PLASTICRIVET: 4PCS</b>	
			

<b>WALL FIXTURE</b>	
 SELF-TAPPING SCREW 1PC	 WALL PLUG 1PC
 WALL SCREW 1PC	 WALL FIX STRIP 1PC

Please visit [www.popstrukt.com/instructions](http://www.popstrukt.com/instructions) section for more information

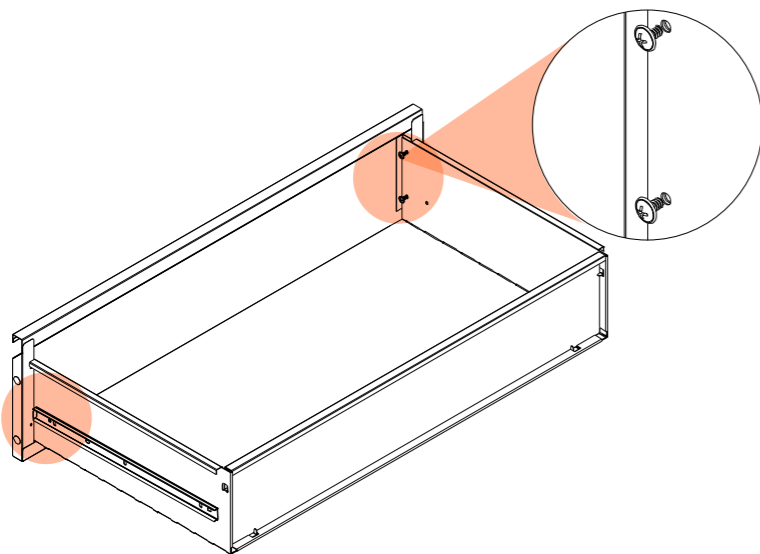
## STEP 1

INSTALL THE BACK DRAWER SEAL AS SHOWN IN THE PICTURE.  
AS SHOWN IN THE PICTURE.



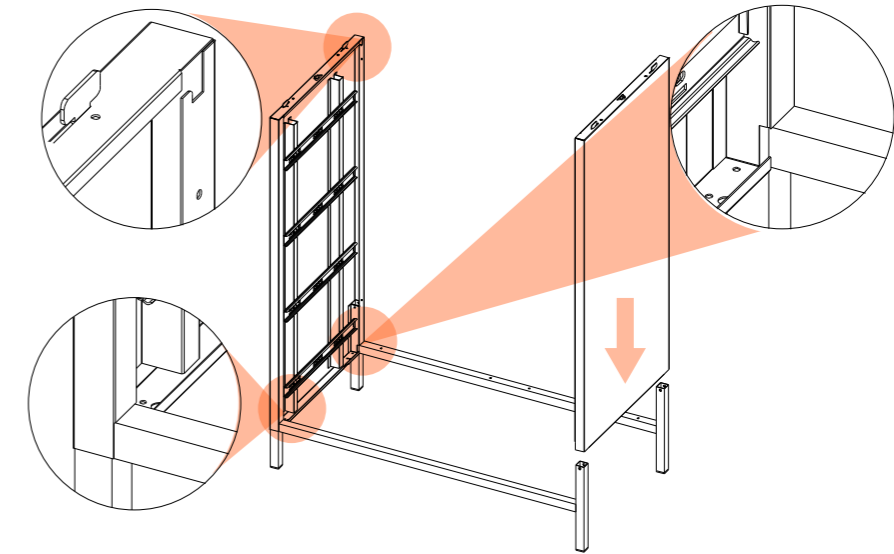
## STEP 2

INSTALL THE FRONT PANEL WITH SCREWS (M4\*8).



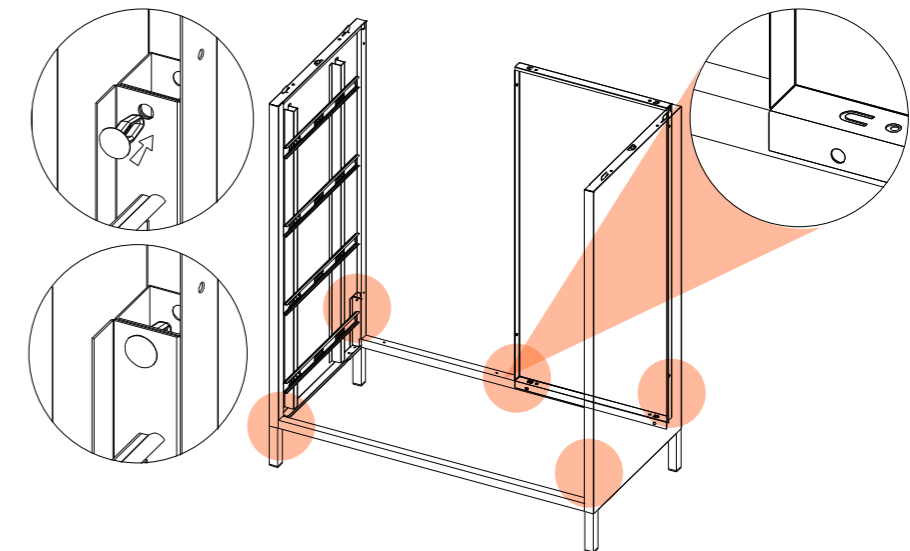
## STEP 3

CONNECT THE LEFT AND RIGHT  
SIDE PLATES WITH FRONT AND BACK BASE.



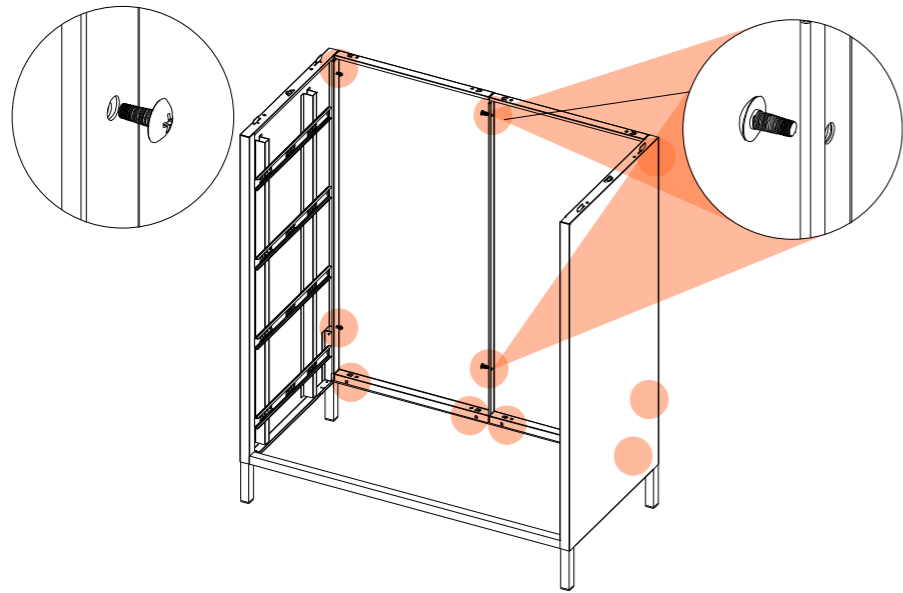
## STEP 4

FIX THE LEFT & RIGHT SIDE PLATES WITH FRONT AND BACK  
BASE BY PLASTIC RIVET. INSTALL THE RIGHT BACK PLATE.



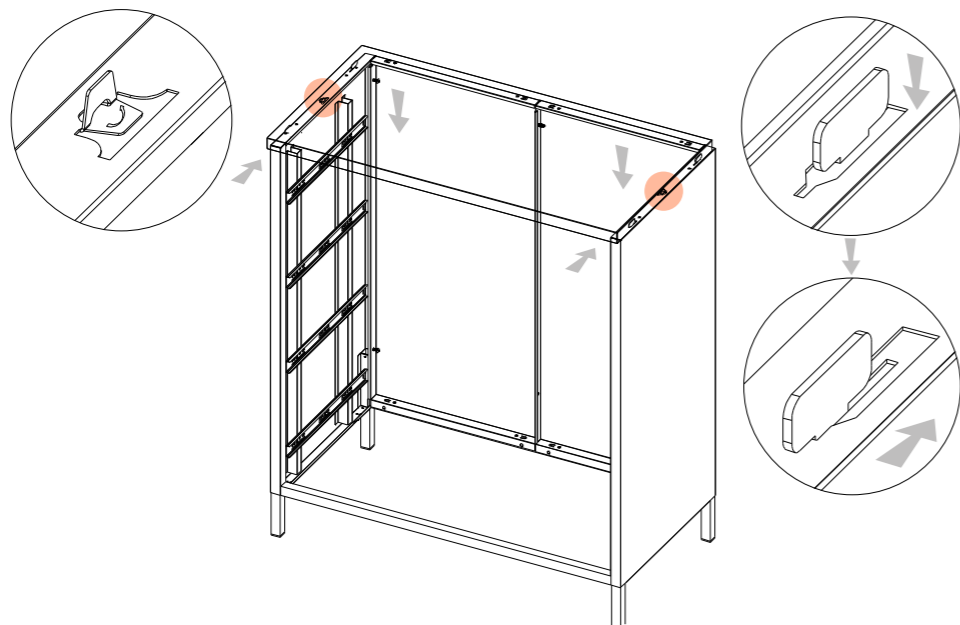
## STEP 5

INSTALL THE LEFT BACK PLATE, AND FIX THE LEFT AND RIGHT BACK PLATES BY TAIL SCREWS.



## STEP 6

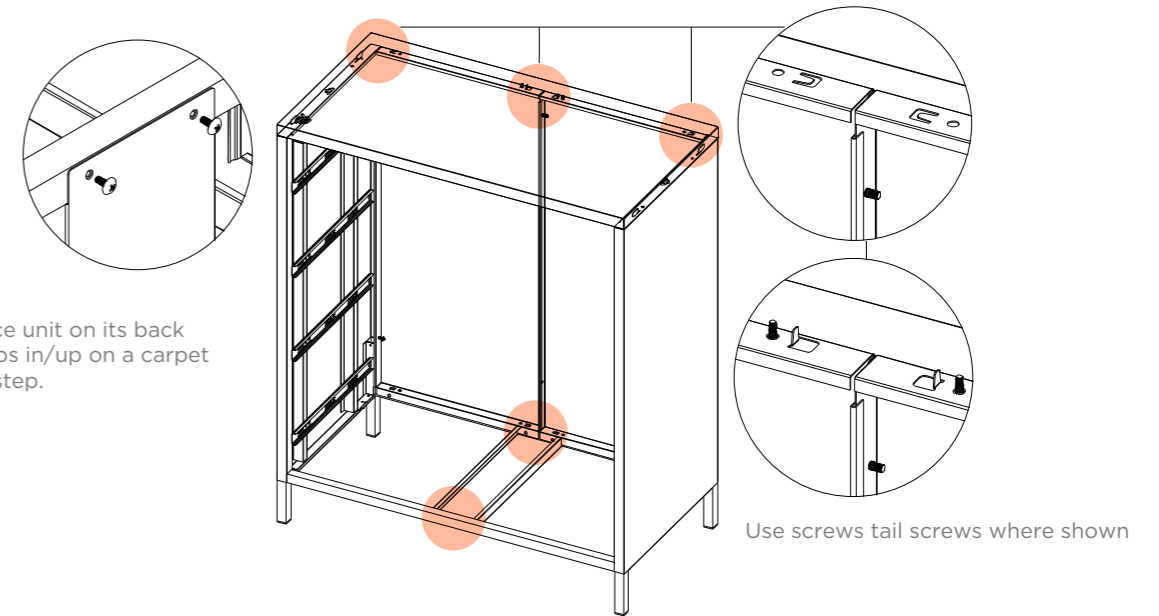
INSTALL TOP PLATE



Please visit [www.popstrukt.com/instructions](http://www.popstrukt.com/instructions) section for more information

## STEP 7

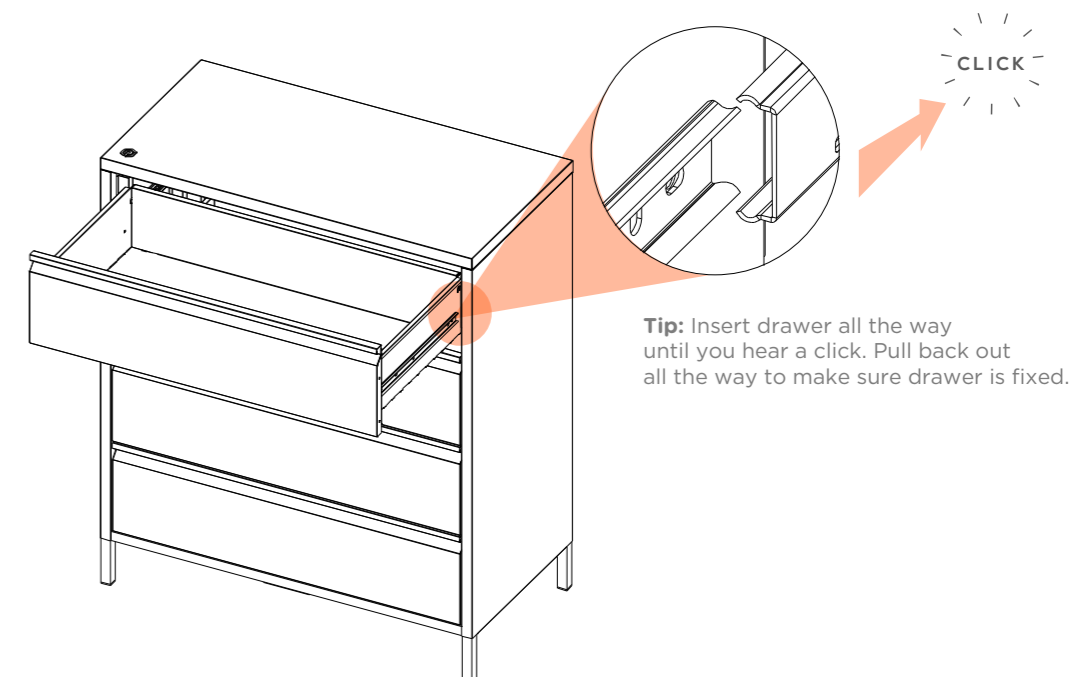
INSTALL TOP AND BASE BRACE AS SHOWN.



**Tip:** Place unit on its back  
Bend tabs in/up on a carpet  
for this step.

## STEP 8

INSTALL THE DRAWERS AS SHOWN IN THE PICTURE (RAILS).



Please visit [www.popstrukt.com/instructions](http://www.popstrukt.com/instructions) section for more information

# STEP 9

FIX TO WALL

## STEP 1

INSERT WALL PLUG INTO THE WALL USING A DRILL.



SELF-TAPPING SCREW  
IPC



WALL PLUG  
IPC



WALL SCREW  
IPC



WALL FIX STRIP  
IPC

WALL



DRILL HOLES IN WALL

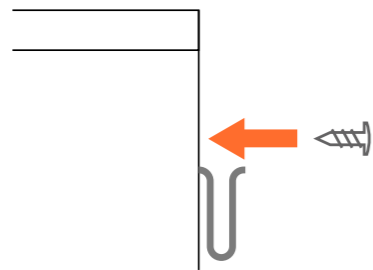
WALL

TIP: Blow dirt out of hole.



## STEP 2

FIX THE MATERIAL STRIP TO THE BACK OF UNIT USING SCREW.



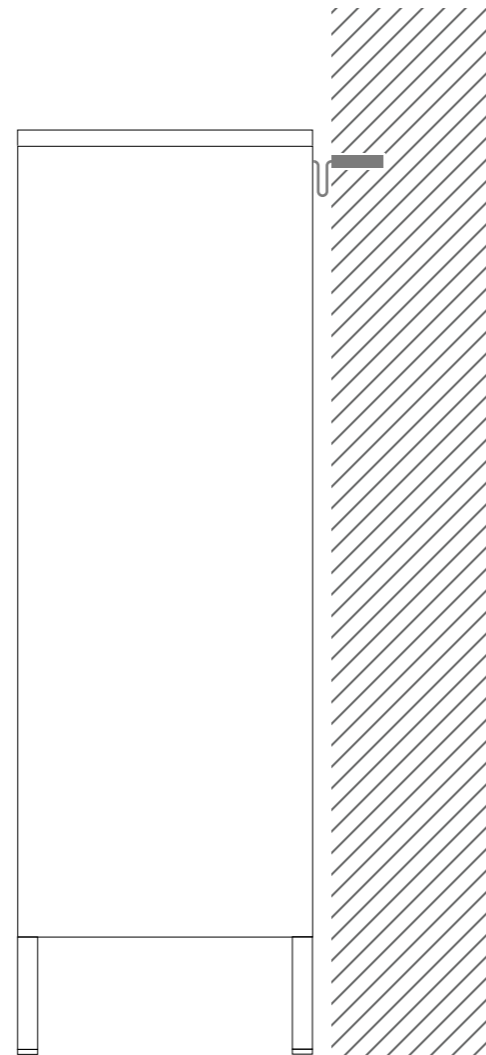
## STEP 3

FIX THE UNIT TO THE WALL VIA MATERIAL STRIP.

WALL



WALL



# Finish en klaar.

NEED HELP?

Please visit

[www.popstrukt.com/instructions](http://www.popstrukt.com/instructions)

section for more detailed information  
and assembly videos



POPSTRUKT FURNITURE



@POPSTRUKT\_COM



@POPSTRUKT.FURNITURE



POPSTRUKT FURNITURE