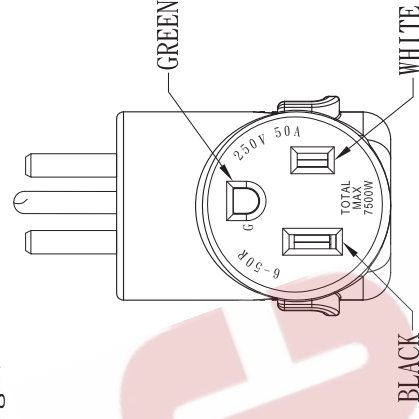
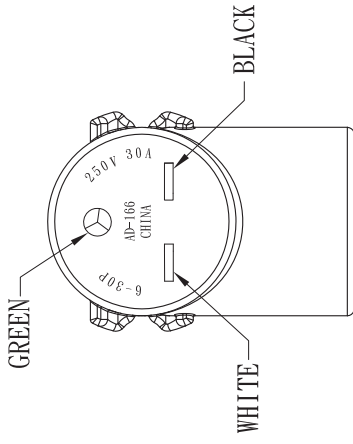


Inner body transparent with light



ORANGE 021C

**Note :**

1. Male and female terminals are nickel plated.
2. Packing : Each product is packaged in sealed bags. Use "#" glyphs to separate them and add paper board.

**CORDTEC POWER CORPORATION**  
**CONFIRMED**

2022.05.27  
ChenTony

**Wiring diagram**

GREEN \_\_\_\_\_ GREEN (Plug)  
 WHITE \_\_\_\_\_ WHITE (Socket)  
 BLACK \_\_\_\_\_ BLACK

5 Inner frame PP BLACK

4 Socket of terminal 50A Y/W/G Pole Terminal

3 Plug of terminal GEM:97650ABL-1\*2PCS; 98479BL-1

2 Body of PVC 45P ORANGE 021C

1 Inner of cord 10AWG BLACK;WHITE;GREEN

No. Name Specification

**AC Connectors of Cordtec Power Corp**  
 Main: 1-414-434-2220 Fax: 1-414-323-8386  
 Text: 1-414-323-3240  
 Email: Info@CordtecPower.com  
 Website: CordtecPower.com/ ACWORKS.com

TOLERANCE: ITEM:WD630650 NEW

DWG NO. : 1 of 1 CUSTOMER:Cordtec Power

UNIT	DATE	SCALE	REV	DRAWN	CHECKED	APPROVED
Inch.	2022.05.26		1.0	Alex		

