

RoHS (2011/65/EU) COMPLIANT

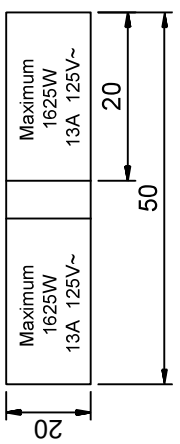
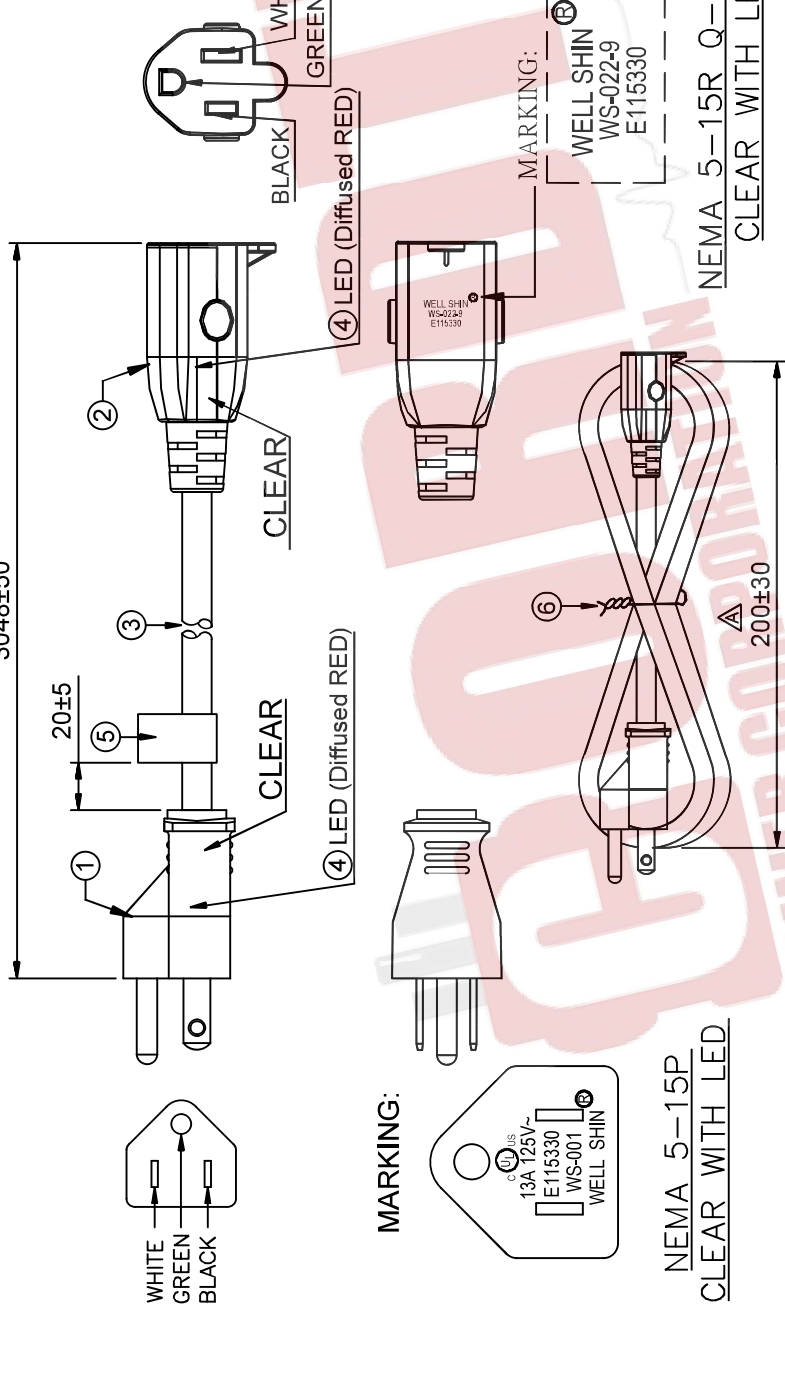
REVISIONS	
REV.	DESCRIPTION
△	Change the hank size
△	
△	
△	
△	
△	

REV.	DESCRIPTION	DATE
△	Change the hank size	2017/01/17
△		
△		
△		
△		

CUSTOMER:	P/N:	S515PR-120AL	REV.	APPROVED BY:
-----------	------	--------------	------	--------------

NOTES:

- LED Diffused Red
1L034XV22D0MA201
*Factory material number:
LER1L034MA201MA
- CARBON FILM RESISTORS 51K
1/4W 5%
- RoHS shown on the carton



ITEM	DESCRIPTION	COLOR	QTY
⑥	PE FILM	CLEAR	1
⑤	LABEL	---	
④	LED Diffused Red # 1L034XV22D0MA201 + CARBON FILM RESISTORS 51K 1/4W 5%	RED	2
③	SJTW 16AWG 3C 105°C APPROVAL: UL,CUL	BLACK	1
②	WS-022-9 13(A) 125(V) APPROVAL: UL,CUL	CLEAR	1
①	WS-001 13(A) 125(V) APPROVAL: UL,CUL	CLEAR	1

CORDTEC POWER CORPORATION

CONFIRMED

2023.03.20
ChenTony

AC Connectors of Cordtec Power Corp
Main: 1-414-434-2220 Fax: 1-414-323-8386 Text: 1-414-323-3240
Email: Info@CordtecPower.com
Website: CordtecPower.com/ ACWORKS.com

SIGNATURE
ENGINEER BY:
MANAGER BY:
CHECKED BY:
DRAWN BY: