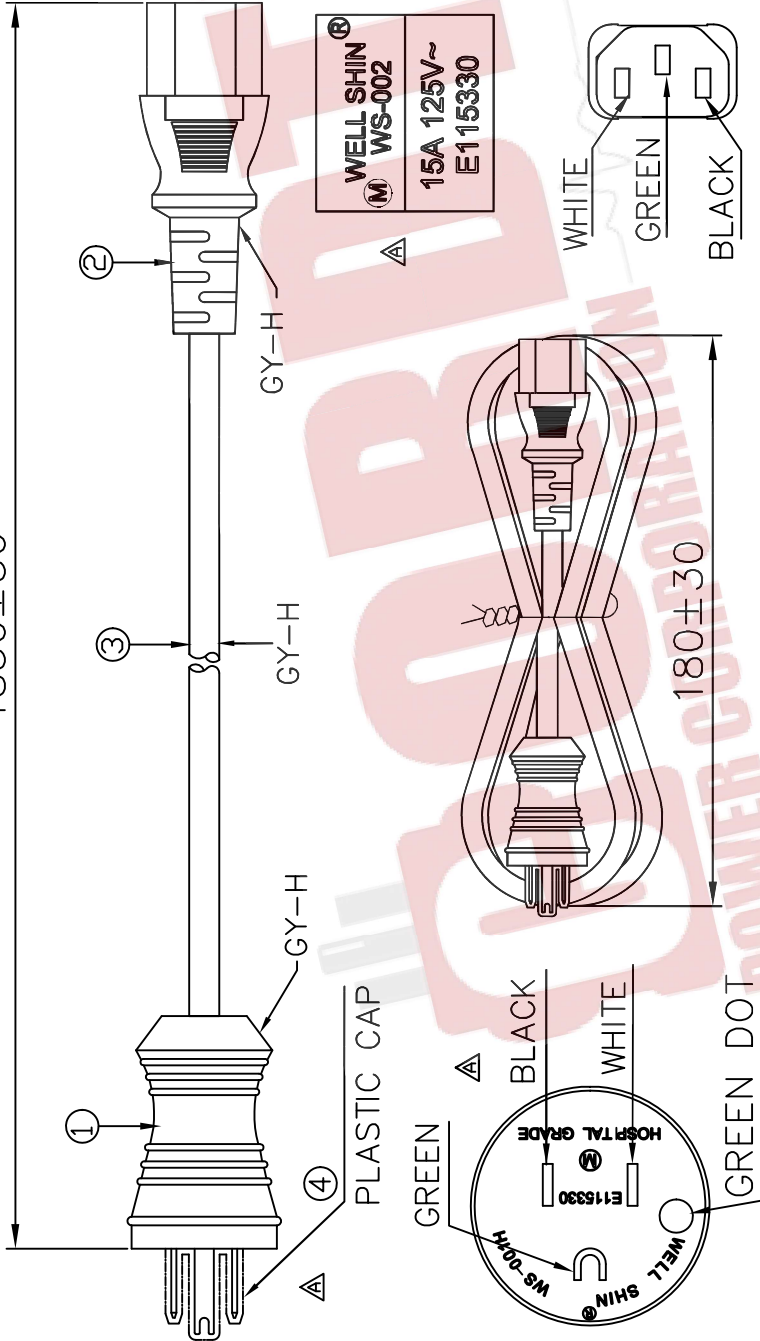


CUSTOMER:	P/N: MD15AC13-072	REV.:	APPROVED BY:
REVISONS			
REV.	DESCRIPTION	DATE	
△			
△			
△			
△			

1830±50



NOTES:

CORDTEC POWER CORPORATION
CONFIRMED

2023.03.20
 ChenTony

IEC-60320-C13 GRAY

NEMA 5-15R

HOSPITAL GRADE GRAY

MARKING: (M) FOR DONG-GUAN PLANT, (K) FOR KUN-SHAN PLANT	SIGNATURE
ENGINEER:	
MANAGER:	
CHECKED BY:	
DRAWN BY:	

④ (PLASTIC CAP) △	WHITE	1
③ SJTW 14AWG 3C 105°C △ APPROVAL: UL,C-UL △	Pantone Cool Gray 9C (GY-H)	1
② WS-002 15(A) 125(V) APPROVAL: UL,C-UL △		1
① WS-001H 15(A) 125(V) APPROVAL: UL,C-UL △		1
ITEM	DESCRIPTION	Q'TY

CORDTEC
 POWER CORPORATION

AC Connectors of Cordtec Power Corp

Main: 1-414-434-2220 Fax: 1-414-323-8386 Text: 1-414-323-3240
 Email: Info@CordtecPower.com

Website: CordtecPower.com/ ACWORKS.com