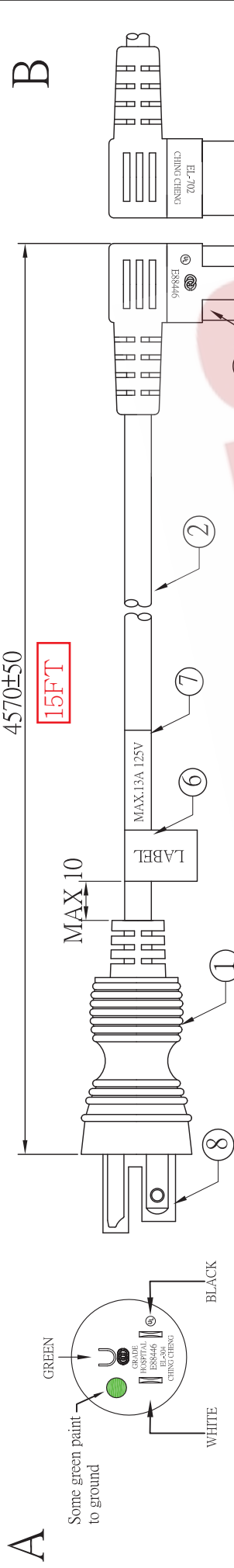


CORDTEC POWER CORPORATION
CONFIRMED

2019.08.13
Chen Tony

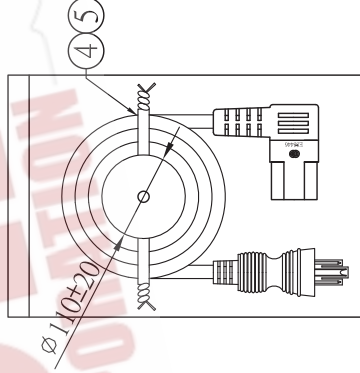
REV.NO.	1.0
CUSTOMER	CORDTEC
DATE	(CUS)PART NO. MD13ARC13-180
REVISION	
ITEM	



MARK	A	B	MARK	A	B
①			②		
③			④		
⑤			⑥		
⑦			⑧		
⑨			⑩		
⑪			⑫		
⑬			⑭		
⑮			⑯		
⑰			⑱		
⑲			⑳		
㉑			㉒		
㉓			㉔		
㉕			㉖		
㉗			㉘		
㉙			㉚		
㉛			㉜		
㉝			㉞		
㉟			㊱		
㊲			㊳		
㊴			㊵		
㊶			㊷		
㊸			㊹		
㊺			㊻		
㊼			㊽		
㊾			㊿		



CABLE LABEL:



⑧	DUST CAP	1
⑦	CABLE LABEL 1	1
⑥	CABLE LABEL	1
⑤	PE BAG: 200*280*0.05mm	1
④	MINI TIE	2
③	MOLDED CONNECTOR:EL-702(RIGHT) GREY	1
②	CABLE:SITW 3X16AWG 75°C GREY	4580mm
①	MOLDED PLUG:EL-304 CLEAR	1
NO.	DESCRIPTION	QTY

MATERIAL CONSTITUTE TABLE

CORDTEC
POWER CORPORATION
Main: 1-414-434-2220 Fax: 1-414-323-8386
Text: 1-414-323-3240
Email: Info@CordtecPower.com
Website: CordtecPower.com/ ACWORKS.com

NAME	CORD SET	
CC PART NO.	DRAWING NO	
UNIT	mm	SCALE free
APPROVED BY	2019.07.17	DATE 2019.07.17
BY	張小成	DRAWING BY LFM
		CHECKED BY

- NOTE:
- 1.THE CABLE SHALL COMPLY WITH UL 62 .
 - 2.THE MOLDED PLUG SHALL COMPLY WITH NEMA 5-15P.
 - 3.THE MOLDED CONNECTOR SHALL COMPLY WITH IEC/EN 60320/C13.
 - 4.RoHS COMPLIANCE .