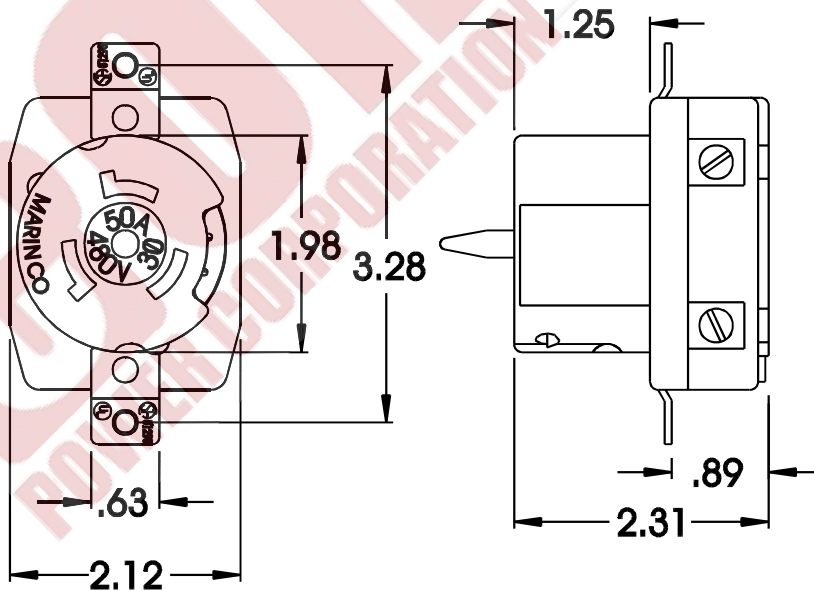


**SPECIFICATION SHEET**

Receptacle  
50A, 480V 3-phase  
3-Pole, 4-Wire

**Catalog Number: CS8169**

- Item: Receptacle, locking
- Rating: 50 amperes, 480 volts, 3-phase, 3-pole, 4-wire.
- Materials: All plastic parts are glass-filled, heat resistant nylon with a UL flammability rating of 94V-0.
- Terminals: Terminals have 5/16" screws with Perma-Lock™ collar to encapture the wire strands. The terminal screw does not bear down on the wire.
- Contacts: Solid brass, two-piece construction, secured by two solid rivets. Rigid half is 0.10" thick. Spring half is 0.04" thick.
- Listings: UL listed, File E111198  
CSA certified, File LR81290
- Dimensions:



Dimensions shown in inches