

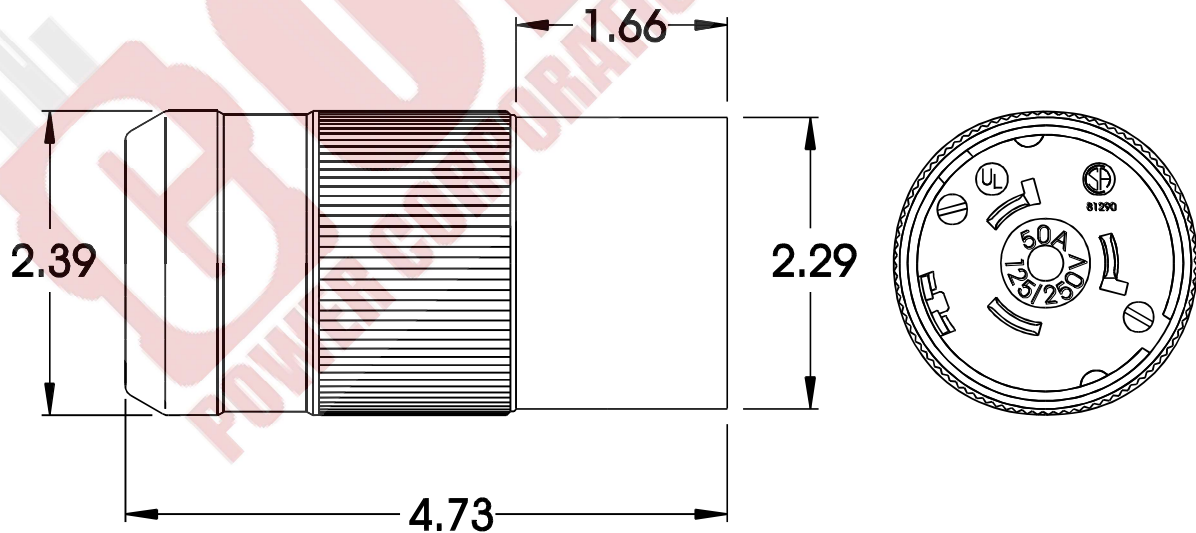
**SPECIFICATION SHEET**

Plug, locking  
50A, 125/250V

**Catalog Number: CS6365N**

- Item: Plug, locking
- Rating: 50 amperes, 125/250 volts, 3-pole, 4 wire
- Materials: Plastic parts are nylon with CTI greater than 600 volts.
- Terminals: Terminals have 5/16" screws with self-locking Perma-Lock™ collar to encapture the wire strands. The terminal screw does not bear down on the wire.
- Cord Clamp: Internal, self centering.  
Accommodates cable up to 1.2" (6/4 S).
- Overall Design: Two assembly screws.  
Dust seal at cord entry.  
Beveled housing.
- Listings: UL listed, File E57672  
CSA certified, File LR81290

Dimensions:



Dimensions shown in inches