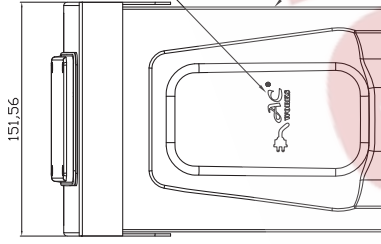
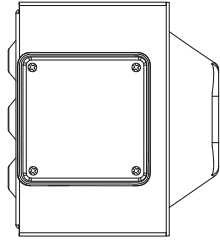


CORDTEC POWER CORPORATION
CONFIRMED

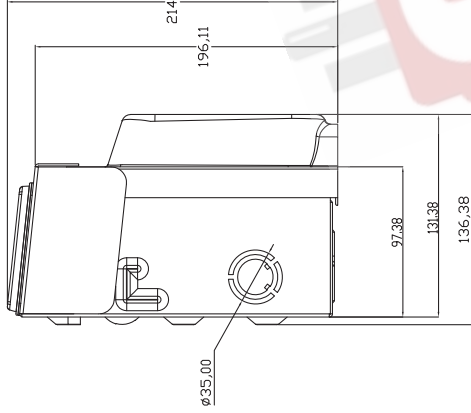
2020.09.25
ChenTomy



Print Screen Logo
with Black

Top Cover:
5052 Aluminum alloy

151.56



ø35.00

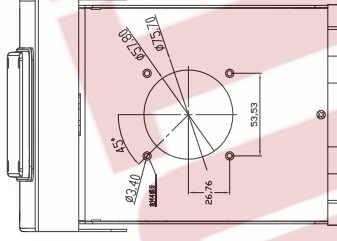
214.17

196.11

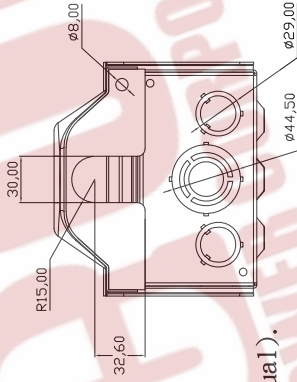
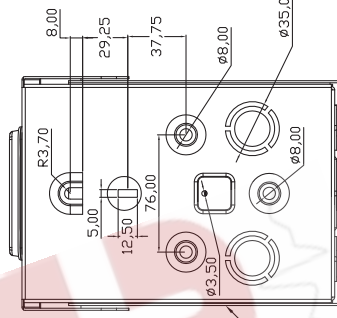
97.38

131.38

136.38



Bottom Body:
5052 Aluminum alloy



30.00

R15.00

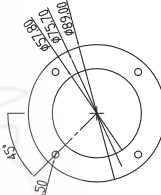
32.60

ø8.00

ø8.00

ø44.50

ø29.00



ø45.00

ø35.50

ø35.50

ø6.00

ø8.00

ø8.00

ø35.00

1.5±.1mm

200±10mm

ø4.0

13

10

13

ø4.0

13

10

13



#10 RNMS8-5

SS2-50P

Power Inlet Seal Pad

STW 8AWG GREEN (1PCS)

ø4*13PM Screw(4PCS)

Note :

1. 1PC/Box(Add Product User Manual).
2. 6PCS/CTN.
3. Put two cardboard in each carton.

CORDTEC
POWER CORPORATION

AC Connectors of Cordtec Power Corp
Main: 1-414-434-2220 Fax: 1-414-323-8386
Text: 1-414-323-3240
Email : Info@CordtecPower.com
Website: CordtecPower.com/ ACWORKS.com

TOLERANCE:

DWG NO.: 1 of 1

MATERIAL: Iron
DATE: 2020.09.18
SCALE: 1.0
REV: 1.0
DRAWN: Alex
CHECKED: APPROVED

ITEM: AS50APBX

CUSTOMER : Cordtec Power