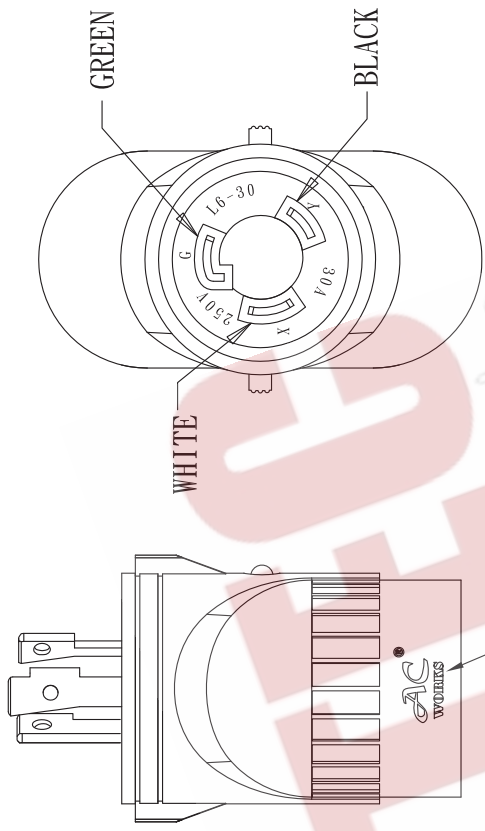
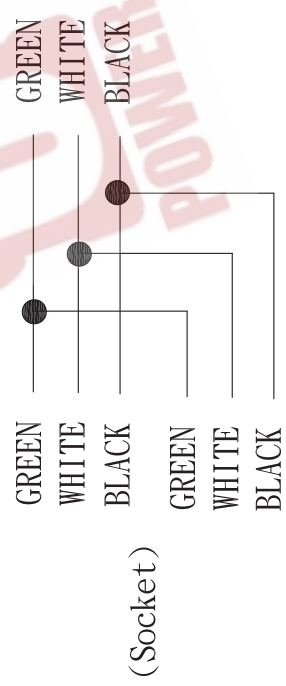


**Note :**

1. Male and female terminals are nickel plated.
2. Packing : Each product is packaged in sealed bags. Use "#" glyphs to separate them and add paper board.

**Wiring diagram**



2019.12.09  
ChenTony



5	Inner frame	PP BLACK
4	Socket of terminal	GEM: 98575LBS-1; 98752LBS-1; 5-20T
3	Plug of terminal	GEM: 95657BL-1; 95658BL-1; 98659BL-1
2	Body of PVC	45P ORANGE 021C
1	Inner of cord	10AWG BLACK; WHITE; GREEN
No.	Name	Specification

**AC Connectors of Cordtec Power Corp**  
 Main: 1-414-434-2220 Fax: 1-414-323-8386  
 Text: 1-414-323-3240  
 Email: Info@CordtecPower.com  
 Website: CordtecPower.com/ ACWORKS.com

TOLERANCE:		ITEM: ADVL630620	
DWG NO.: 1 of 1		CUSTOMER: Cordtec Power	
UNIT	DATE	SCALE	REV
Inch.	2019.12.05		1.0
		DRAWN	CHECKED
		Alex	APPROVED

