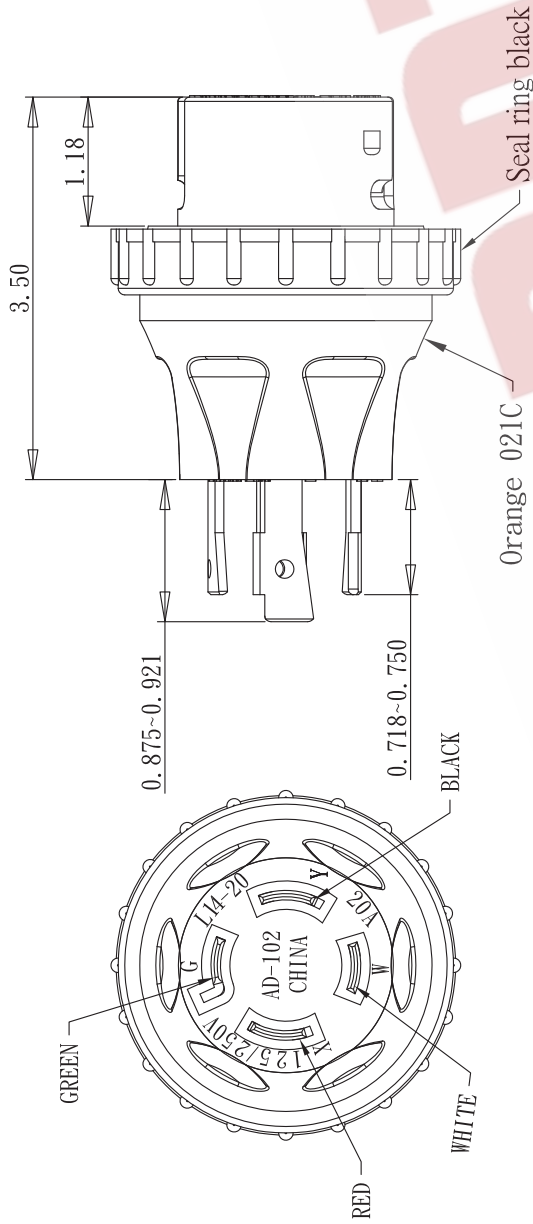
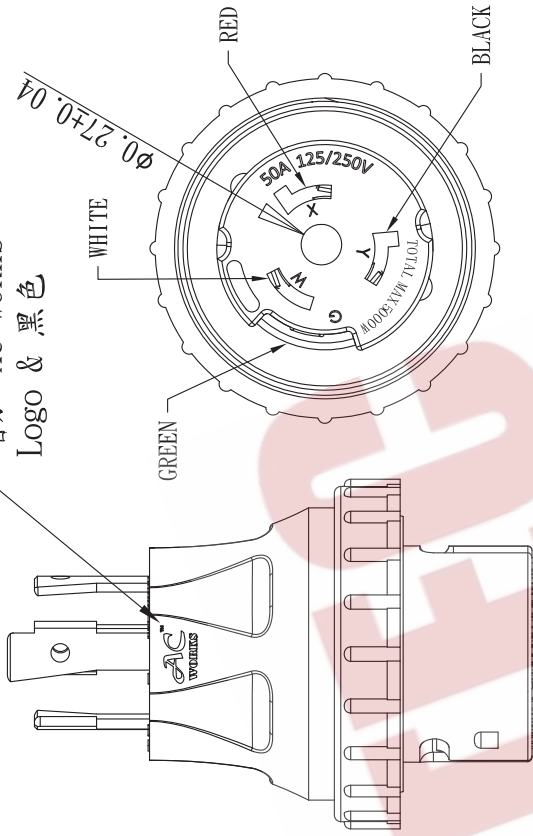


增加"AC WORKS"  
Logo & 黑色



2019.03.09  
Chen Tony

# GORDTEC

POWER CORPORATION

**Note :**  
 1. Male and female terminals are nickel plated.  
 2. Packing : Each product is packaged in sealed bags.  
 Use "#" glyphs to separate them and add paper board.

Wiring diagram	BALCK	BALCK	PP BLACK and PA(21spc) WHITE
(Plug)	WHITE	WHITE	Socket of terminal
GREEN	GREEN	GEM: 95654BL-1*2; 95656BL-1; foryu E	Plug of terminal
RED	RED	45P ORANGE 021C	Body of PVC
		10AWG BLACK; WHITE; GREEN	Inner of cord
			No. Name Specification

		<b>AC Connectors of Cordtec Power Corp</b> Main: 1-414-434-2220 Fax: 1-414-323-8386 Text: 1-414-323-3240 Email: Info@CordtecPower.com Website: CordtecPower.com/ ACWORKS.com	
TOLERANCE:		ITEM: ADL1420SS2	
DWG NO. : 1 of 1		CUSTOMER: Cordtec Power	
UNIT	DATE	SCALE	REV
Inch.	2019.03.08		2.0
		DRAWN	CHECKED
		Alex	APPROVED