

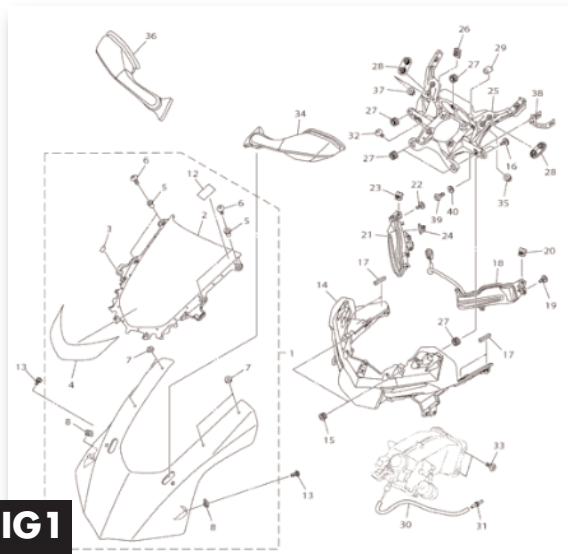
## YAMAHA YZF-R1 2015 - 2019 DIY WINDSCREEN INSTALL

### Installation Instructions for Yamaha YZF-R1 2015 - 2019

Thank you for purchasing Zero Gravity's windscreen (a screen which has been designed and manufactured to give years of safe & fun riding). These instructions give you an in-depth look at the installation process. To receive further assistance or parts please call the Zero Gravity® Sales Department at 805-388-8803 or E-mail at [techinfo@zerogravity-racing.com](mailto:techinfo@zerogravity-racing.com).

**PLEASE READ BEFORE INSTALLING YOUR WINDSCREEN**

**Helpful hints:** Use metric tools, clean hands, and put the bike on a stand. Do not pry on the screen excessively, as it can break without much warning.



**FIG1**

**Fig 1.** Before starting disassembly, please review this instruction sheet to better understand the install / uninstalled process. The installation of the Zero Gravity screen is in reverse.



**FIG2**

**Remove side mirrors by removing two nuts**

**Fig 2.** Remove the side mirrors, locate the two nuts under the front cowl and remove. Repeat this on the other side of the bike.



**Removing side top plastic cover panel**

**FIG3**

**Fig 3.** To remove the side top plastic remove these three fasteners shown above from both sides of the bike.



**FIG4**

**Pull up and dislodge tab**

**Fig 4.** Next, pull up and dislodge the tab shown above. Slide the panel to the rear of the bike to remove the panel. Repeat this on the other side of the bike.

## YAMAHA YZF-R1 2015 - 2019 DIY WINDSCREEN INSTALL



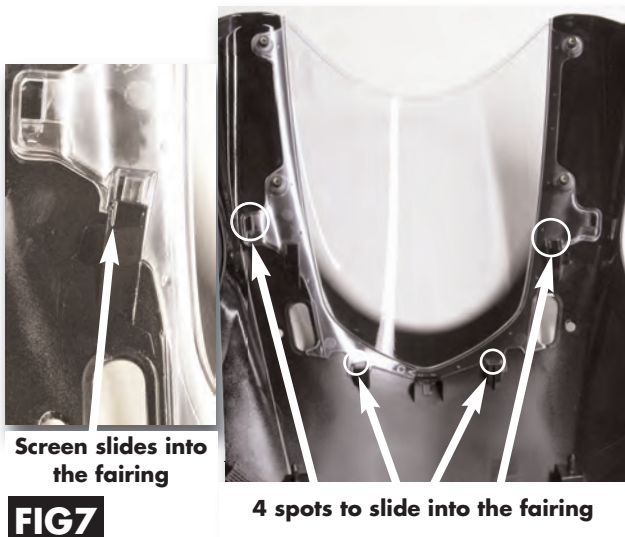
**Fig 5.** Remove the two screws on either side of the headlight housing that fasten the front fairing to the headlight.



**Fig 6.** To remove, stand in front of the bike and pull it evenly and firmly straight towards you (as shown in the video). To visually see this, we made a YouTube video. Scan this QR code with your mobile phone, it will take you straight to the video or click below for a quick video.

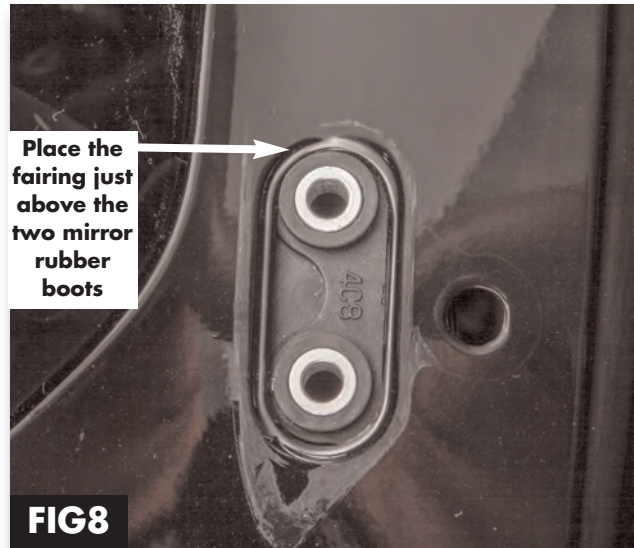


<https://www.youtube.com/watch?v=b8gRhvmTj4c>



**Fig 7.** Remove factory screen by unscrewing the fasteners on the windscreen and sliding it upwards from the fairing. Replace it with the new Zero Gravity windscreen and reverse the installation process.

**Note:** Closeup picture shows how the screen slides to dismount or install.



**Fig 8.** Push the fairing and windscreen unit part in place, but align the fairing mirror holes just above the two mirror rubber boots. This will allow for easier installation without much strain.

To install a ZG screen just follow the instructions carefully in reverse starting from **FIG5**.