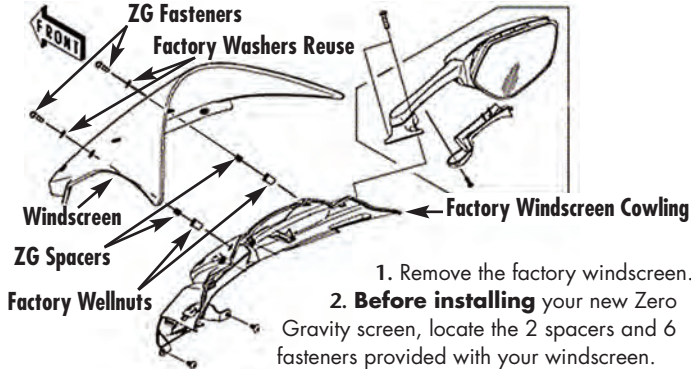
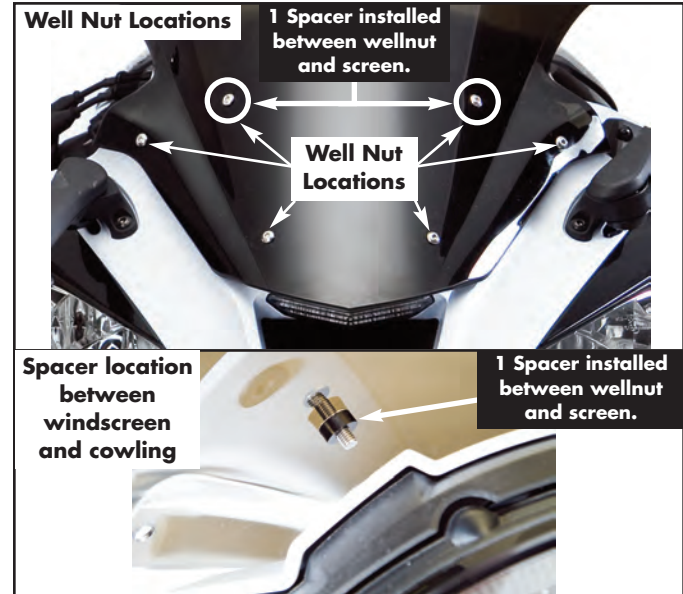


Installation Instructions for 23, 24, 25 Series Windscreen 2011- 2015 Kawasaki ZX-10R

Thank you for purchasing one of Zero Gravity's windscreens which has been designed and manufactured to give years of safe and fun riding. This instruction manual gives you an in-depth look at the installation process. To receive further assistance or parts please e-mail techinfo@zerogravity-racing.com.



1. Remove the factory windscreen.
2. **Before installing** your new Zero Gravity screen, locate the 2 spacers and 6 fasteners provided with your windscreen.
3. Remove the 6 factory washers and reuse them on ZG fasteners. Place your Zero Gravity windscreen on the bike and align the windscreen holes with the windscreen cowling holes.
4. Insert 2 of the 6 supplied ZG windscreen fastener screws into the 2 bottom holes and screw them in a few turns into the wellnuts.
5. Lift the rear edge of the screen so the screen tilts up slightly.
6. Place the 2 spacers between the windscreen and the windscreen cowling so they align with the 2 upper holes of the windscreen and the well nut receptacle holes of the cowling. (See Well Nut Locations).
7. Insert the 2 fasteners and washers into the upper windscreen holes so that they pass through the windscreen, spacers, and then into the well-



- nut threaded receptacle. (See image up above).
8. Add the last 2 corner fasteners, then tighten all 6 windscreen fastener screws so that the windscreen is firmly in place.

DO NOT OVER-TIGHTEN!