

1500458
User's Guide



Wired IR Repeater



We hope you enjoy your Wired IR Repeater from **RadioShack**. Please read this user's guide before setting up and using your new repeater.

Package Contents

- IR Repeater Box
- Receiver
- AC Adapter
- User's Guide
- Transmitter
- Extension Cable
- Mounting Screws (2)

Features

- Extend the range of an infrared (IR) remote control so you can control up to six A/V devices up to 23 feet (7m)
- Control your devices located behind closed doors or walls or hidden in a cabinet or closet
- Extra long extension cable gives you flexibility in where you locate your devices

Specifications

Input.....	100 – 240V AC, 50/60Hz, 0.18A
Output	5V DC, 1A
IR Carrier Frequency.....	30 – 60 KHz
Power Consumption.....	Max. 1W
Effective Range (R/C to RX) (line of sight).....	23 ft (7 m)
IR Range (TX to A/V Device)	1.6 ft (0.5 m)
Extension Cable Length.....	6.6 ft (2 m)
Receiver Cable Length.....	6.6 ft (2 m)
Transmitter Cable Length
.....	3.3 ft (1 m) and 6.6 ft (2 m) for six emitters

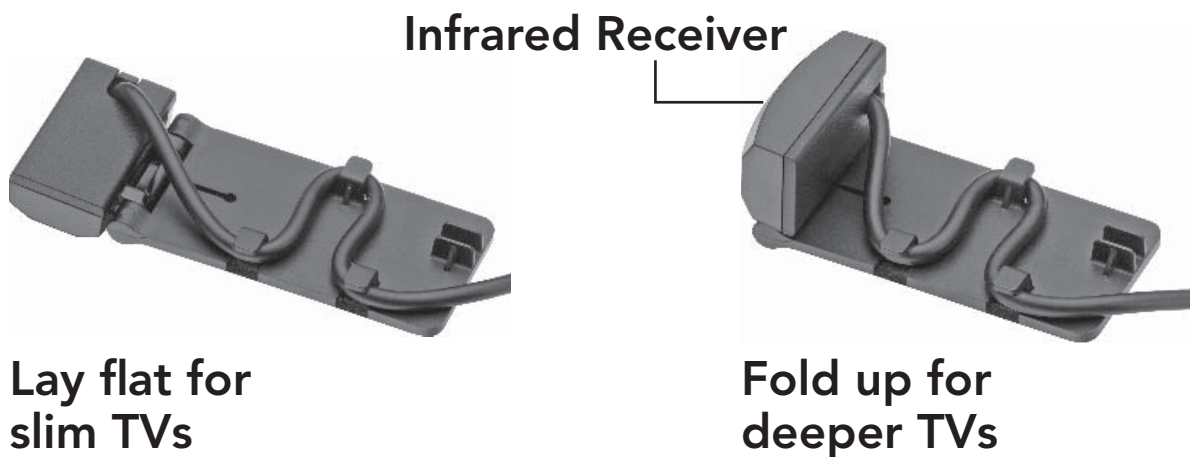
Specifications are subject to change and improvement without notice.
Actual product may vary from the images found in this document.

Set Up the Receiver

Set up the receiver according to the depth of your TV.

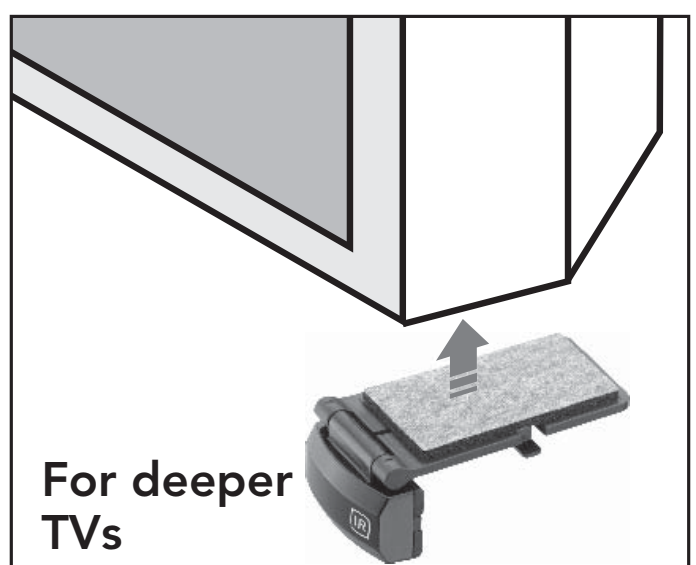
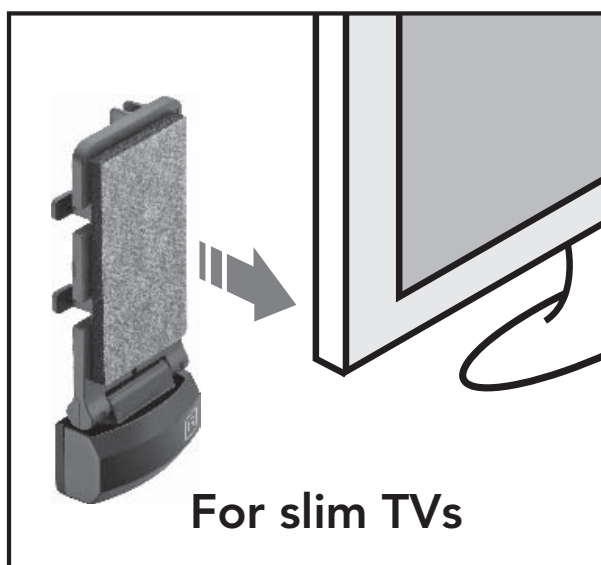
1. Route the receiver cable, making sure the infrared receiver is fixed and stable.

For slim TVs, lay the infrared receiver flat. For deeper TVs, position the infrared receiver upright as illustrated.



2. Adhere the receiver to your TV.

Remove the adhesive backing to affix the receiver to the rear or bottom of your TV, making sure you can see the infrared receiver from the front of your TV.



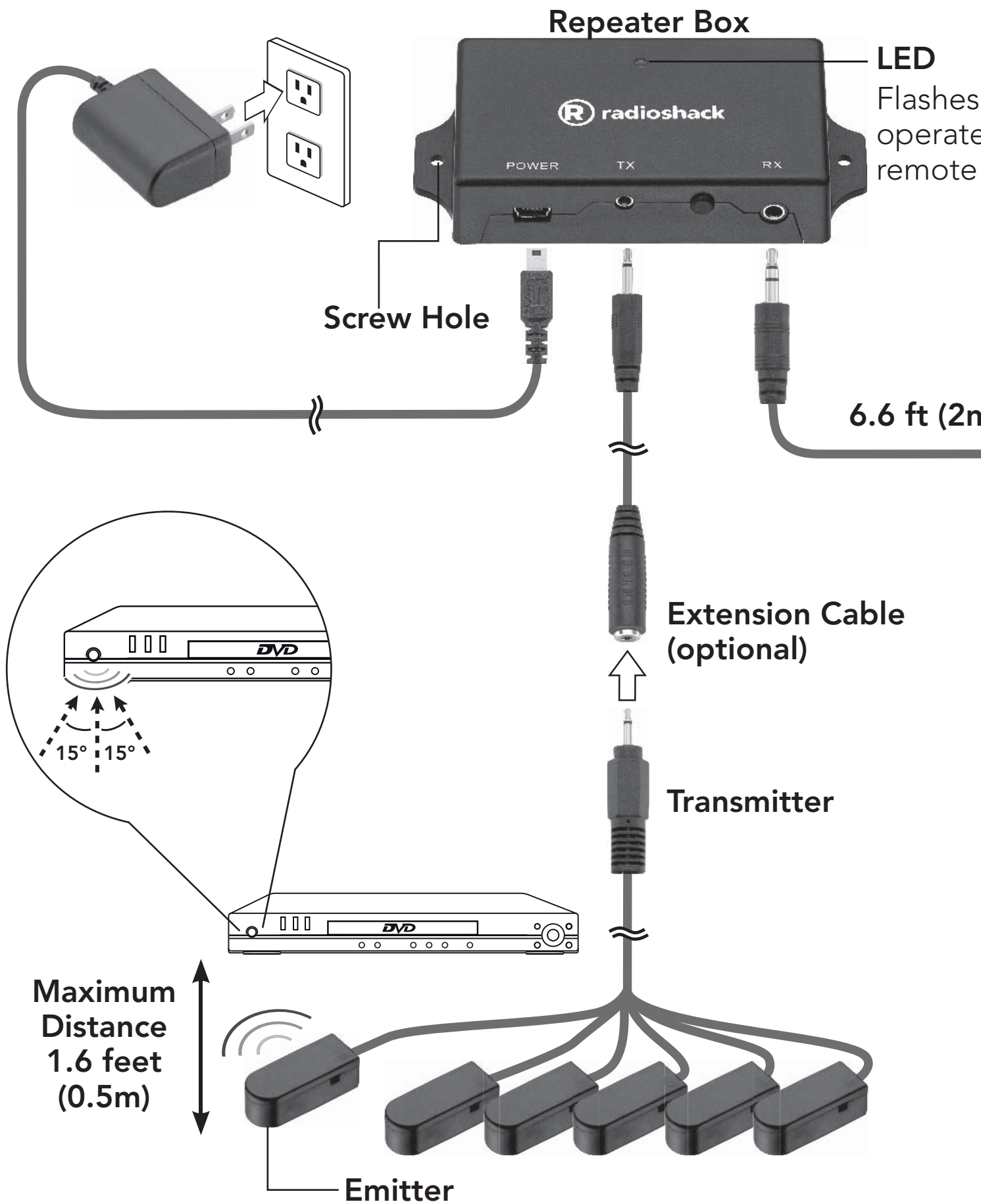
Set Up the IR Repeater System

1. Use the two supplied mounting screws to mount the IR repeater box on the wall.
2. Connect the AC adapter to the repeater box's **POWER** port and then to an AC outlet.
3. Plug the receiver into the repeater box's **RX** jack.
4. Plug the transmitter into the repeater box's **TX** jack.
 - The transmitter lets you control up to six devices.
 - Position the emitter facing your device's IR sensor within 1.6 feet (line of sight). You can remove the adhesive backing to affix each emitter to a flat surface.
5. Point your remote control (not supplied) at the receiver within 23 feet (direct line of sight) to control your A/V device(s).
6. To extend the length of the transmitter cable, plug the extension cable into the repeater box's **TX** jack.
7. Plug the transmitter into the connector of the extension cable, then position the emitter(s).



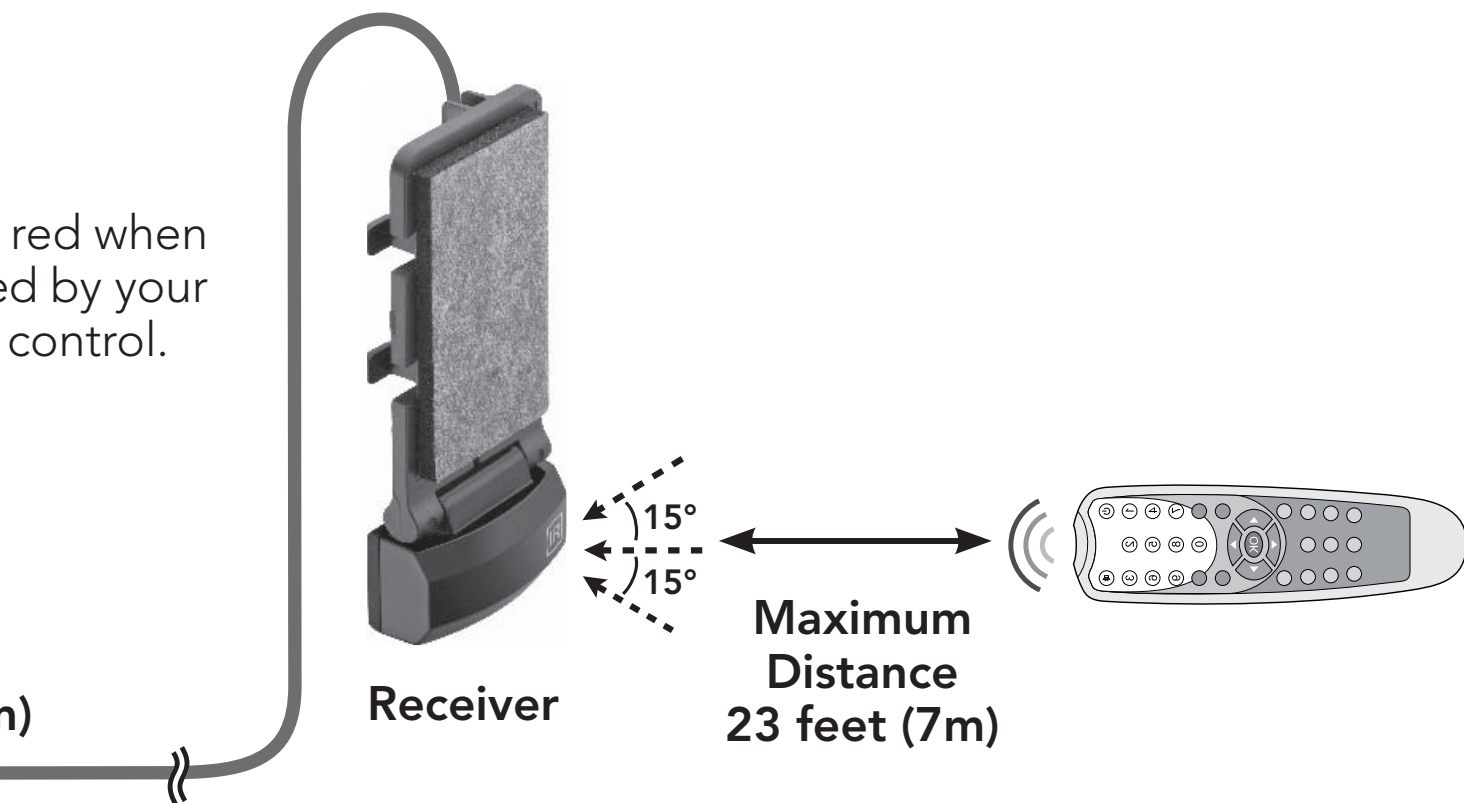
Note:

- *Use the supplied AC adapter only. Using an AC adapter not designed for this product may cause damage.*
- *Disconnect the AC adapter from the AC outlet before unplugging it from the IR repeater box.*



red when
ed by your
control.

n)



Care and Maintenance

- Keep the IR repeater system dry. Wipe it with a soft cloth immediately if it gets wet.
- Keep the IR repeater system away from dust and dirt, and clean it with a damp cloth occasionally. Do not clean with harsh chemicals, cleaning solvents, or detergents.
- Do not disassemble or drop the IR repeater system.
- Use and store the IR repeater system only in room temperature environments.

FCC Information

This equipment has been tested and found to comply with the limits for a Class B digital device, pursuant to Part 15 of the FCC Rules. These limits are designed to provide reasonable protection against harmful interference in a residential installation. This equipment generates, uses, and can radiate radio frequency energy and, if not installed and used in accordance with the instructions, may cause harmful interference to radio communications. However, there is no guarantee that interference will not occur in a particular installation. If this equipment does cause harmful interference to radio or television reception, which can be determined by turning the equipment off and on, the user is encouraged to try to correct the interference by one or more of the following measures:

- Reorient or relocate the receiving antenna.
- Increase the separation between the equipment and receiver.
- Connect the equipment into an outlet on a circuit different from that to which the receiver is connected.
- Consult your local **RadioShack** store or an experienced radio/TV technician for help.

Changes or modifications not expressly approved by the party responsible for compliance could void the user's authority to operate the equipment.

This device complies with Part 15 of the FCC rules. Operation is subject to the following two conditions: (1) This device may not cause harmful interference, and (2) this device must accept any interference received, including interference that may cause undesired operation.

Limited Warranty

RadioShack warrants this product against defects in materials and workmanship under normal use by the original purchaser for **ninety (90) days** after the date of purchase from a **RadioShack**-owned store or an authorized **RadioShack** franchisee or dealer. **RADIOSHACK** MAKES NO OTHER EXPRESS WARRANTIES.

This warranty does not cover: (a) damage or failure caused by or attributable to abuse, misuse, failure to follow instructions,

improper installation or maintenance, alteration, accident, Acts of God (such as floods or lightning), or excess voltage or current; (b) improper or incorrectly performed repairs by persons who are not a **RadioShack** Authorized Service Facility; (c) consumables such as fuses or batteries; (d) ordinary wear and tear or cosmetic damage; (e) transportation, shipping or insurance costs; (f) costs of product removal, installation, set-up service, adjustment or reinstallation; and (g) claims by persons other than the original purchaser.

Should a problem occur that is covered by this warranty, take the product and the **RadioShack** sales receipt as proof of purchase date to any **RadioShack** store in the U.S. **RadioShack** will, at its option, unless otherwise provided by law: (a) repair the product without charge for parts and labor; (b) replace the product with the same or a comparable product; or (c) refund the purchase price. All replaced parts and products, and products on which a refund is made, become the property of **RadioShack**. New or reconditioned parts and products may be used in the performance of warranty service. Repaired or replaced parts and products are warranted for the remainder of the original warranty period. You will be charged for repair or replacement of the product made after the expiration of the warranty period.

RADIOSHACK EXPRESSLY DISCLAIMS ALL WARRANTIES AND CONDITIONS NOT STATED IN THIS LIMITED WARRANTY. ANY IMPLIED WARRANTIES THAT MAY BE IMPOSED BY LAW, INCLUDING THE IMPLIED WARRANTY OF MERCHANTABILITY AND, IF APPLICABLE, THE IMPLIED WARRANTY OF FITNESS FOR A PARTICULAR PURPOSE, SHALL EXPIRE ON THE EXPIRATION OF THE STATED WARRANTY PERIOD.

EXCEPT AS DESCRIBED ABOVE, **RADIOSHACK** SHALL HAVE NO LIABILITY OR RESPONSIBILITY TO THE PURCHASER OF THE PRODUCT OR ANY OTHER PERSON OR ENTITY WITH RESPECT TO ANY LIABILITY, LOSS OR DAMAGE CAUSED DIRECTLY OR INDIRECTLY BY USE OR PERFORMANCE OF THE PRODUCT OR ARISING OUT OF ANY BREACH OF THIS WARRANTY, INCLUDING, BUT NOT LIMITED TO, ANY DAMAGES RESULTING FROM INCONVENIENCE AND ANY LOSS OF TIME, DATA, PROPERTY, REVENUE, OR PROFIT AND ANY INDIRECT, SPECIAL, INCIDENTAL, OR CONSEQUENTIAL DAMAGES, EVEN IF **RADIOSHACK** HAS BEEN ADVISED OF THE POSSIBILITY OF SUCH DAMAGES.

Some states do not allow limitations on how long an implied warranty lasts or the exclusion or limitation of incidental or consequential damages, so the above limitations or exclusions may not apply to you. This warranty gives you specific legal rights, and you may also have other rights which vary from state to state. You may contact **RadioShack** at:

RadioShack Customer Relations
300 RadioShack Circle
Fort Worth, TX 76102

04/08

www.RadioShack.com

RoHS
COMPLIANT

Complies with the European Union's "Restriction of Hazardous Substances Directive," which protects the environment by restricting specific hazardous materials and products.

©2013. **RadioShack** Corporation. All rights reserved.
RadioShack is a registered trademark used by
RadioShack Corporation.

Printed 10B13
in China 1500458