

# CONTENTS

MODEL : YM330(D)

PC NO : Y00T2341

Fig.No.	GROUP NAME
ENGINE(3T84A)	
1.	CYLINDER BLOCK
2.	GEARS HOUSING
3.	CYLINDER HEAD
4.	AIR CLEANER (WITH PRE-CLEANER)
5.	SILENCER
6.	CAMSHAFT
7.	MAIN BEARING & CRANKSHAFT
8.	PISTON & CONNECTING ROD
9.	LUBRICATING OIL SYSTEM
10.	COOLING WATER SYSTEM
11.	FUEL INJECTION PUMP
12.	FUEL INJECTION VALVE
13.	FUEL OIL SYSTEM
14.	GOVERNOR EQUIPMENT
15.	ELEC. STARTER & THERMO. DEVICE
16.	STARTER(12V-1.8KW) TYPE S12-52
17.	STARTER(12V-1.8KW) TYPE S12-77
18.	STARTER(12V-2.5KW)S13-41 OPT.
19.	AC GENERATOR 12V-15A (LT115-52
20.	GASKET (EFFECT. FROM E/#80342)
CHASSIS(YM330,330D)	
21.	UNDERSLUNG SILENCER
22.	THROTTLE(U.S.A.)
23.	THROTTLE(PORTUGAL)
24.	FUEL TANK(U.S.A.)
25.	FUEL TANK(PORTUGAL)
26.	FRONT AXLE(FOR MODEL YM330)
27.	TIE-ROD & FRONT TIRE (YM330)

Fig.No.	GROUP NAME
28.	FRONT AXLE(A)(FOR MODEL YM330D
29.	FRONT AXLE(B)(FOR MODEL YM330D
30.	FRONT AXLE(C),(YM330D,USA)
31.	FRONT AXLE(C)(YM330D,PORTUGAL)
32.	FRONT WHEEL(FOR MODEL YM330D)
33.	STEERING (A),YM330(W/O.LIVE)
34.	STEERING (B),YM330(WITH LIVE)
35.	STEERING (C)(FOR MODEL YM330D)
36.	CLUTCH(A),YM330(W/O.LIVE)
37.	CLUTCH(B),YM330(W/LIVE),USA
38.	CLUTCH(B),YM330D(W/LIVE),PG.
39.	CLUTCH(C),YM330D(WITHOUT LIVE)
40.	CLUTCH(D),YM330D(W/LIVE),USA
41.	CLUTCH(D),YM330D(W/LIVE),PG.
42.	TRANSMISSION HOUSING(U.S.A.)
43.	TRANSMISSION HOUSING(PORTUGAL)
44.	REAR AXLE HOUSING
45.	TRANSMISSION GEARS(W/O LIVE)
46.	TRANSMISSION GEARS(W/LIVE,USA)
47.	TRANSMISSION GEARS(W/LIVE,PG.)
48.	PTO SHAFT & DRIVING SHAFT(USA)
49.	PTO SHAFT & DRIVING SHAFT(PG.)
50.	TRANSMISSION SHIFTER(USA)
51.	TRANSMISSION SHIFTER(PG.)
52.	REAR AXLE
53.	REAR AXLE & TIRE
54.	BRAKES
55.	BRAKE PEDAL(U.S.A.)
56.	BRAKE PEDAL(PORTUGAL)
57.	HYD. LIFT (POSITION CONTROL)

# CONTENTS

MODEL : YM330(D)

PC NO : Y00T2341

## Fig.No. GROUP NAME

- 58. HYD.CONTROL V.(POSITION CONTR.
- 59. HYD.CONTROL LEVER(POSIT.CONTR.
- 60. HYD.CYL.(DRAFT CONTROL)(USA)
- 61. HYD.CYL.(DRAFT CONTROL)(PG.)
- 62. HYD.LIFT(DRAFT CONTR.)& CONT.V
- 63. DRAFT CONTROL(USA)
- 64. DRAFT CONTROL(PORTUGAL)
- 65. OIL PRESSURE CONTROL(USA)
- 66. OIL PRESSURE CONTROL(PORTUGAL)
- 67. HYD.PIPES (POSITION CONTROL)
- 68. HYD.PIPES & OIL STRAINER(USA)
- 69. HYD.PIPES & OIL STRAINER(PG.)
- 70. ELECTRIC PARTS (U.S.A.)
- 71. ELECTRIC PARTS (PORTUGAL)
- 72. HOOD (U.S.A.)
- 73. HOOD (PORTUGAL)
- 74. HOOD (RED)
- 75. FENDER & SEAT (U.S.A.)
- 76. FENDER & SEAT (PORTUGAL)
- 77. FENDER & SEAT (RED)
- 78. THREE-POINT HITCH
- 79. REAR HITCH(U.S.A.)
- 80. REAR HITCH(PORTUGAL)
- 81. LABELS (ENGLISH)
- 82. LABELS (FRENCH)
- 83. LABELS (PORTUGUESE)
- 84. TURF-TIRES (FRONT & REAR)
- 85. HYD. PUMP (12CC/REV. POSITION)
- 86. R-V.MIRROR,SIGNAL & WORK.LIGHT
- 87. FRONT & REAR WHEEL WEIGHT

## Fig.No. GROUP NAME

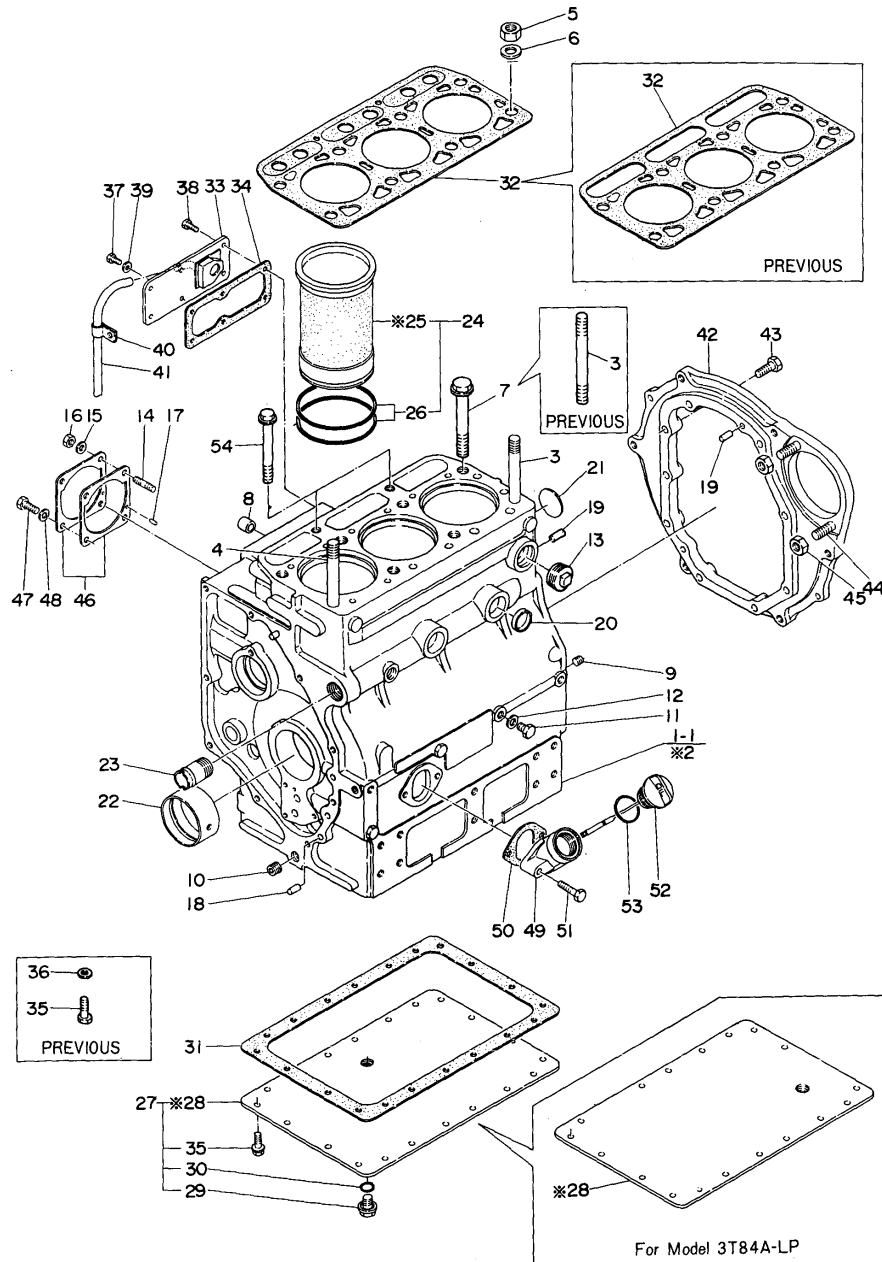
- 88. TOOLS
- 89. FRONT & REAR TIRES(RED)
- 90. ROLL BAR (FOR USA)

Fig.1. CYLINDER BLOCK

(A)=3T84A  
(B)=3T84A-LP  
(C)=3T84A-LPP

(D)=  
(E)=  
(F)=

Fig. 1 CYLINDER BLOCK



REF.	LEV.	PARTS NO.	DESCRIPTION	Q'TY						I	R
				(A)	(B)	(C)	(D)	(E)	(F)		
1	1	721250-01561	BLOCK ASSY, CYLINDER	1	1	1					
1-1	1	721240-01560	BLOCK ASSY, CYLINDER	1	1	1					N
		(A=E/# 80342) (B=E/# 80342) (C=E/# 80342)									
3	2	124450-01210	STUD, CYL. HEAD	7	7	7					
3-1	2	124450-01210	STUD, CYL. HEAD	1	1	1					K
		(A=*1982.07) (B=*1982.07) (C=*1982.07)									
4	2	124450-01230	STUD, CYL. HEAD	1	1	1					
5	2	124450-01250	NUT, CYL. HEAD	8	8	8					
6	2	124450-01240	WASHER	8	8	8					
7	2	124450-01211	STUD, CYL. HEAD	6	6	6					W
		(A=*1982.07) (B=*1982.07) (C=*1982.07)									
8	2	124550-01900	BUSH	1	1	1					
8-1	2	124550-01901	BUSH	1	1	1					R
		(A=*1982.04) (B=*1982.04) (C=*1982.04)									
9	2	124060-01050	PLUG, PT1/8	2	2	2					
10	2	124160-01910	PLUG PT1/4	1	1	1					
11	2	23883-100002	PLUG 10	3	3	3					
11-1	2	23887-100002	PLUG 10	3	3	3					R
		(A=FROM 1ST) (B=FROM 1ST) (C=FROM 1ST)									
12	2	121250-01990	GASKET	3	3	3					
13	2	121750-01920	PLUG	1	1	1					
13-1	2	171051-01921	PLUG	1	1	1					R
		(A=*1981.09) (B=*1981.09) (C=*1981.09)									
14	2	26216-080222	STUD M 8X 22 PLATED	2	2	2					
15	2	43400-500410	SEAL WASHER 8	2	2	2					
15A	2	22217-080000	SPRING WASHER 8	2	2	2					W
		(A=E/# 96691) (B=E/# 96691) (C=E/# 96691)									
16	2	26716-080002	NUT M 8	2	2	2					
17	2	22312-040100	PARALLEL PIN 4X10	1	1	1					
18	2	22312-080160	PARALLEL PIN 8X 16	2	2	2					
19	2	22312-080200	PARALLEL PIN 8X20	2	2	2					
20	2	27243-300000	PLUG 30	2	2	2					
20-1	2	27241-300000	PLUG 30	2	2	2					R
		(A=FROM 1ST) (B=FROM 1ST) (C=FROM 1ST)									
21	2	27233-400000	PLUG 40	1	1	1					
21-1	2	27231-400000	PLUG 40	1	1	1					R
		(A=FROM 1ST) (B=FROM 1ST) (C=FROM 1ST)									
22	2	121250-02100	MAIN BEARING	1	1	1					
23	2	124160-49480	JOINT, PIPE	1	1	1					
24	1	721250-01900	LINER W/GASKET	3	3	3					
26	2	124550-01300	GASKET, LINER	6	6	6					
27	1	721250-01541	COVER ASSY, LUB. OIL	1	1	1					
27-1	1	721250-01542	COVER ASSY, LUB. OIL	1	1	1					N
		(A=*1980.01) (B=*1980.01) (C=*1980.01)									
27-2	1	721256-01540	COVER ASSY, LUB. OIL		1						N
		(B=*1980.01)									
29	2	124060-01640	PLUG M12	1	1	1					
30	2	24311-000140	O-RING 1A P-14.0	1	1	1					
31	1	121250-01750	GASKET	1	1	1					
31-1	1	121250-01751	GASKET, OIL SUMP	1	1	1					N
		(A=*1981.08) (B=*1981.08) (C=*1981.08)									

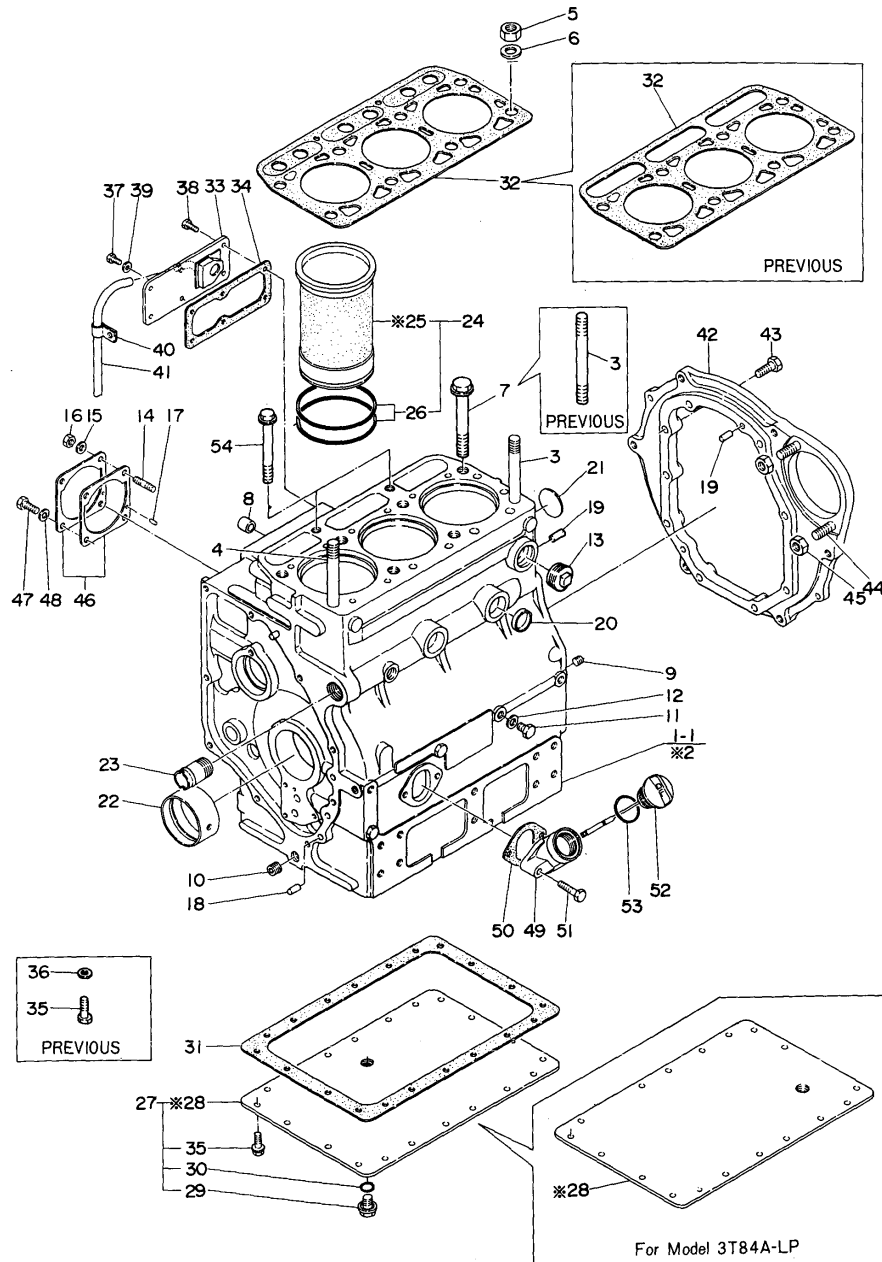
N:Old ↔ New, Q:Old ↔ New, R:Old ↔ New, S:Old ↔ New, W:Add, Z:Discontinued, F:Set Change, K:Q'ty Change  
 ++ CONTINUE ++  
 (C)Copy Rights YANMAR CO.,LTD and YANMAR AGRICULTURAL EQUIPMENT CO.,LTD.

Fig.1. CYLINDER BLOCK

(A)=3T84A  
(B)=3T84A-LP  
(C)=3T84A-LPP

(D)=  
(E)=  
(F)=

Fig. 1 CYLINDER BLOCK

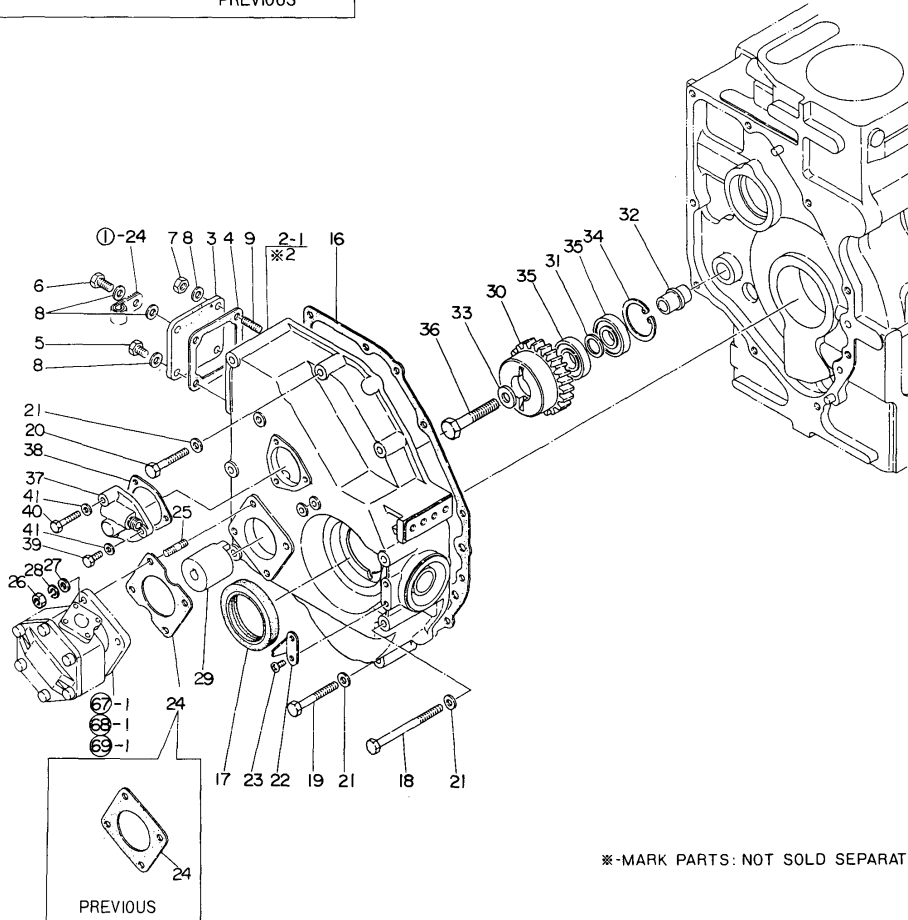
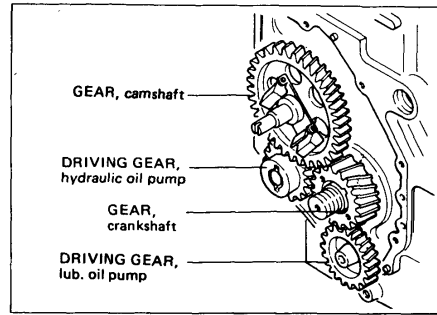
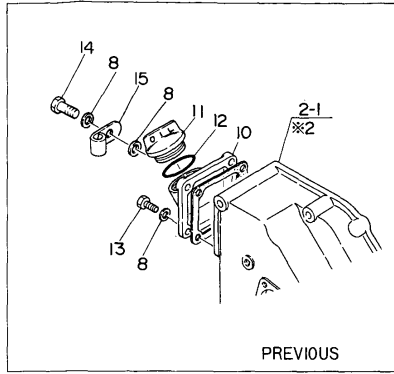


REF.	LEV.	PARTS NO.	DESCRIPTION	Q'TY						I	R
				(A)	(B)	(C)	(D)	(E)	(F)		
32	1	121250-01330	GASKET, CYL. HEAD	1	1	1					
32-1	1	121252-01330	GASKET, CYL. HEAD	1	1	1					S
		(A=E/# 80342) (B=E/# 80342) (C=E/# 80342)									
32-2	1	121250-01331	GASKET, CYL.HEAD	1	1	1					N
		(A=E/# A1552) (B=E/# A1552) (C=E/# A1552)									
33	1	121250-01850	COVER	1	1	1					
34-1	1	124160-01862	GASKET	1	1	1					
34-2	1	124160-01863	GASKET	1	1	1					N
		(A=*1981.09) (B=*1981.09) (C=*1981.09)									
35	1	26116-080162	BOLT M 8X 16 PLATED	20	20	20					
35-1	1	121250-01710	BOLT M 8X 14	20	20	20					N
		(A=*1982.10) (B=*1982.10) (C=*1982.10)									
35-2	1	26106-080142	BOLT M 8X 14 PLATED	20	20	20					R
		(A=*1983.02) (B=*1983.02) (C=*1983.02)									
36	1	22137-080000	WASHER 8, POLISHED	20	20	20					Z
		(A=*1983.02) (B=*1983.02) (C=*1983.02)									
37	1	26116-060142	BOLT M6X14	4	4	4					
37-1	1	26106-060122	BOLT M 6X 12 PLATED	4	4	4					N
		(A=*1982.10) (B=*1982.10) (C=*1982.10)									
38	1	26116-060162	BOLT M 6X 16 PLATED	2	2	2					
38-1	1	26106-060162	BOLT M 6X 16 PLATED	2	2	2					N
		(A=*1982.10) (B=*1982.10) (C=*1982.10)									
39	1	22137-060000	WASHER 6, POLISHED	4	4	4					Z
		(A=*1982.10) (B=*1982.10) (C=*1982.10)									
40	1	124160-01650	CLAMP	1	1	1					
41	1	23065-090560	PIPE 9X 560	1	1	1					
41-1	1	23065-090500	PIPE 9X 500	1	1	1					R
		(A=FROM 1ST) (B=FROM 1ST) (C=FROM 1ST)									
42	1	121250-01600	FLANGE, MOUNTING	1	1	1					
43	1	26116-100282	BOLT M10X 28 PLATED	9	9	9					
43-1	1	26206-100282	BOLT M10X 28 PLATED	9	9	9					N
		(A=*1983.01) (B=*1983.01) (C=*1983.01)									
44	1	124450-01610	STUD, STARTER	2	2	2					
45	1	26716-120002	NUT M12	2	2	2					
46	1	121250-01951	SHIM SET	1	1	1					
47	1	26116-080222	BOLT M 8X 22 PLATED	2	2	2					
47-1	1	26013-080222	BOLT M 8X 22	2	2	2					N
		(A=*1982.10) (B=*1982.10) (C=*1982.10)									
48	1	22217-080000	SPRING WASHER 8	2	2	2					Z
		(A=*1982.10) (B=*1982.10) (C=*1982.10)									
49	1	121250-01522	FLANGE	1	1	1					
50	1	124160-34843	GASKET	1	1	1					
50-1	1	124160-34844	GASKET	1	1	1					N
		(A=*1981.08) (B=*1981.08) (C=*1981.08)									
51	1	26116-080352	BOLT M 8X 35	2	2	2					
51-1	1	26106-080352	BOLT M 8X 35 PLATED	2	2	2					N
		(A=*1982.10) (B=*1982.10) (C=*1982.10)									
52	1	121250-01791	CAP W/DIPSTICK	1	1	1					
53	1	24321-000350	O-RING 1A G-35.0	1	1	1					
54	1	121252-01230	STUD, CYL. HEAD	2	2	2					W 1
		(A=E/# 80342) (B=E/# 80342) (C=E/# 80342)									

N:Old ↔ New, Q:Old ↔ New, R:Old ↔ New, S:Old ↔ New, W:Add, Z:Discontinued, F:Set Change, K:Q'ty Change  
(C)Copy Rights YANMAR CO.,LTD and YANMAR AGRICULTURAL EQUIPMENT CO.,LTD.

Fig.2. GEARS HOUSING

Fig.2 GEARS HOUSING



\*-MARK PARTS: NOT SOLD SEPARATELY.

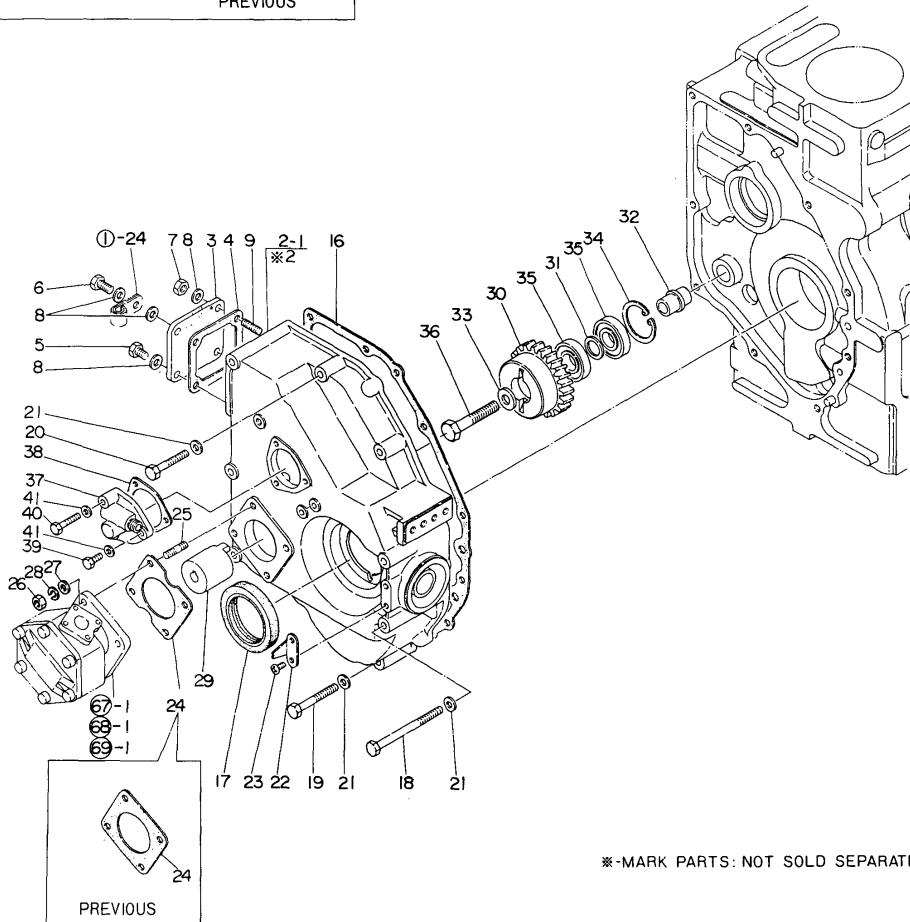
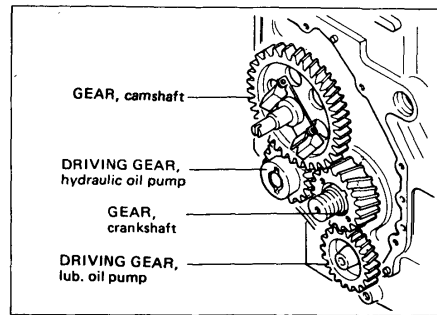
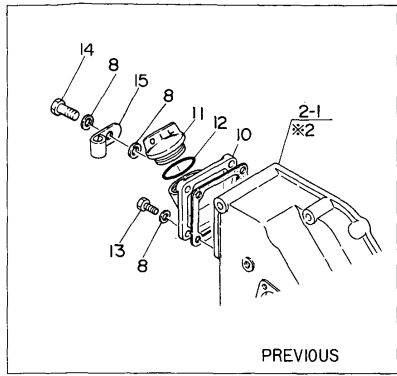
(A)=3T84A  
(B)=3T84A-LP  
(C)=3T84A-LPP

(D)=  
(E)=  
(F)=

REF.	LEV.	PARTS NO.	DESCRIPTION	Q'TY						I	R
				(A)	(B)	(C)	(D)	(E)	(F)		
1	1	724160-01612	HOUSING ASSY, GEAR	1	1	1					
1-1	1	724160-01613	HOUSING ASSY, GEAR	1	1	1					S
		(A=E/# 80342) (B=E/# 80342) (C=E/# 80342)									
3	2	121250-01550	COVER, SIDE	1	1	1					W
		(A=E/# 80342) (B=E/# 80342) (C=E/# 80342)									
4	2	124160-01531	GASKET	1	1	1					
4-1	2	124160-01532	GASKET	1	1	1					N
		(A=*1980.01) (B=*1980.01) (C=*1980.01)									
5	2	26116-080122	BOLT M 8X 12 PLATED	1	1	1					W
		(A=E/# 80342) (B=E/# 80342) (C=E/# 80342)									
5-1	1	26106-080102	BOLT M 8X 10 PLATED	1	1	1					N
		(A=*1982.10) (B=*1982.10) (C=*1982.10)									
6	2	26116-080162	BOLT M 8X 16 PLATED	1	1	1					W
		(A=E/# 80342) (B=E/# 80342) (C=E/# 80342)									
6-1	1	26106-080142	BOLT M 8X 14 PLATED	1	1	1					N
		(A=*1982.10) (B=*1982.10) (C=*1982.10)									
7	2	26716-080002	NUT M 8	2	2	2					W
		(A=E/# 80342) (B=E/# 80342) (C=E/# 80342)									
7-1	1	26366-080002	NUT M 8	2	2	2					N
		(A=*1982.10) (B=*1982.10) (C=*1982.10)									
8	2	23414-080000	GASKET 8, ROUND	7	7	7					
8-1	2	22137-080000	WASHER 8, POLISHED	7	7	7					N
		(A=*) (B=*) (C=*)									
8-2	2	22137-080000	WASHER 8, POLISHED	7	7	7					Z
		(A=*1982.10) (B=*1982.10) (C=:1982.10)									
9	2	26216-080142	STUD M 8X 14 PLATED	2	2	2					W
		(A=E/# 80342) (B=E/# 80342) (C=E/# 80342)									
10	2	124160-01520	BRACKET	1	1	1					1
10-1	2	124160-01521	FLANGE	1	1	1					S 1
		(A=*) (B=*) (C=*)									
10-2	2	124160-01521	FLANGE	1	1	1					Z 1
		(A=E/# 80342) (B=E/# 80342) (C=E/# 80342)									
11	2	101104-01750	CAP	1	1	1					1
11-1	2	124160-01751	CAP, LUB.OIL SUPPLY	1	1	1					S 1
		(A=*) (B=*) (C=*)									
11-2	2	124160-01751	CAP, LUB.OIL SUPPLY	1	1	1					Z 1
		(A=E/# 80342) (B=E/# 80342) (C=E/# 80342)									
12	2	101104-01760	GASKET, CAP	1	1	1					1
12-1	2	24321-000350	O-RING 1A G-35.0	1	1	1					S 1
		(A=*) (B=*) (C=*)									
12-2	2	24321-000350	O-RING 1A G-35.0	1	1	1					Z 1
		(A=E/# 80342) (B=E/# 80342) (C=E/# 80342)									
13	2	26117-080182	BOLT M 8X 18 PLATED	3	3	3					1
13-1	2	26116-080162	BOLT M 8X 16 PLATED	3	3	3					S 1
		(A=*) (B=*) (C=*)									
13-2	2	26116-080162	BOLT M 8X 16 PLATED	3	3	3					Z 1
		(A=E/# 80342) (B=E/# 80342) (C=E/# 80342)									
14	2	26117-080222	BOLT M 8X 22 PLATED	1	1	1					1
14-1	2	26116-080222	BOLT M 8X 22 PLATED	1	1	1					R 1
		(A=*) (B=*) (C=*)									
14-2	2	26116-080222	BOLT M 8X 22 PLATED	1	1	1					Z 1

Fig.2. GEARS HOUSING

Fig.2 GEARS HOUSING



\*-MARK PARTS: NOT SOLD SEPARATELY.

(A)=3T84A  
(B)=3T84A-LP  
(C)=3T84A-LPP

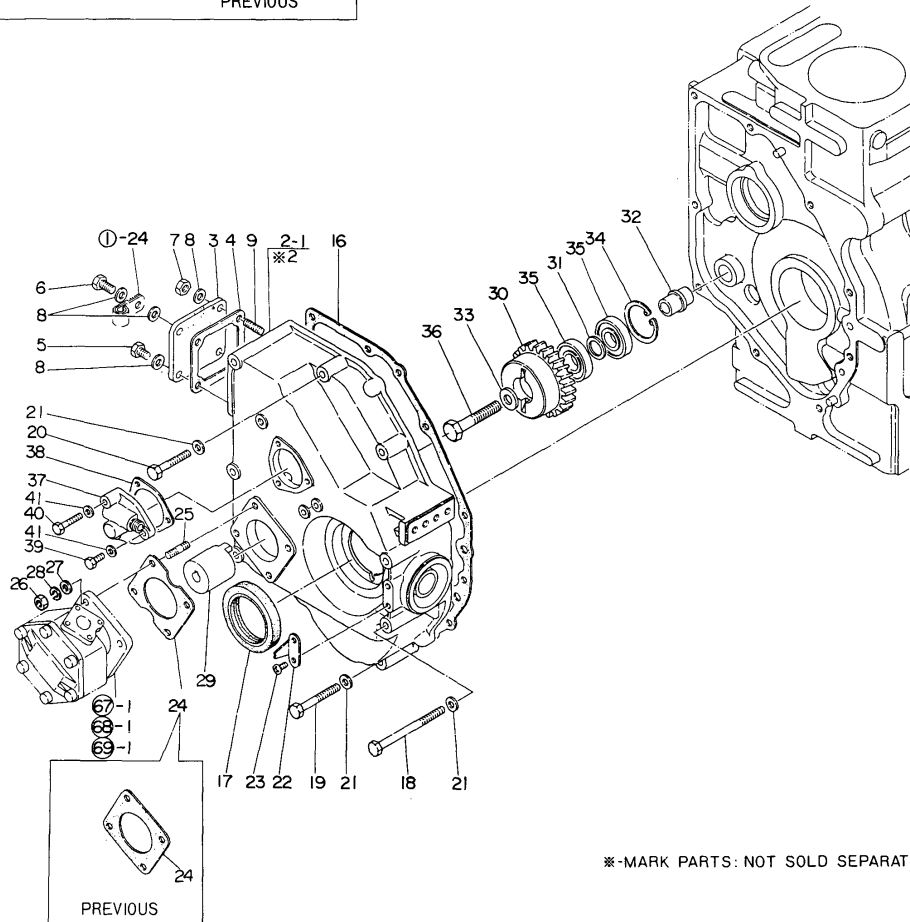
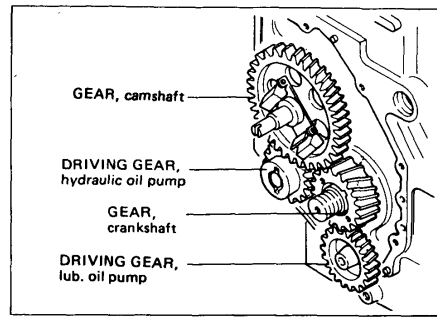
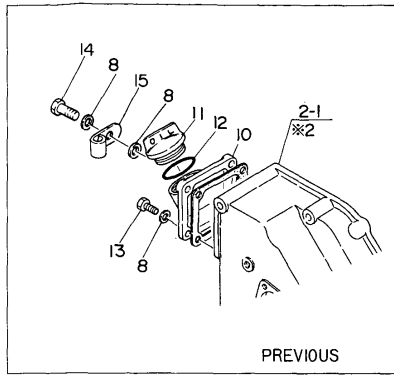
(D)=  
(E)=  
(F)=

REF.	LEV.	PARTS NO.	DESCRIPTION	Q'TY						I	R	
				(A)	(B)	(C)	(D)	(E)	(F)			
		(A=E/# 80342) (B=E/# 80342) (C=E/# 80342)										
15	2	124160-01650	CLAMP	1	1	1					Z	1
		(A=E/# 80342) (B=E/# 80342) (C=E/# 80342)										
16	1	124450-01511	GASKET	1	1	1						
16-1	1	124450-01512	GASKET, GEAR HOUSING	1	1	1						N
		(A=*1980.05) (B=*1980.05) (C=*1980.05)										
17	1	124450-01800	SEAL HTC58 80 12,OIL	1	1	1						
18	1	26116-081002	BOLT M 8X100 PLATED	5	5	5						
18-1	1	26106-081002	BOLT M 8X100 PLATED	5	5	5						N
		(A=*1982.10) (B=*1982.10) (C=*1982.10)										
19	1	26116-080602	BOLT M 8X 60 PLATED	2	2	2						
19-1	1	26106-080602	BOLT M 8X 60 PLATED	2	2	2						N
		(A=*1982.10) (B=*1982.10) (C=*1982.10)										
20	1	26116-080502	BOLT M 8X 50 PLATED	2	2	2						
20-1	1	26106-080502	BOLT M 8X 50 PLATED	2	2	2						N
		(A=*1982.10) (B=*1982.10) (C=*1982.10)										
21	1	22117-080000	WASHER 8	9	9	9						Z
		(A=*1982.10) (B=*1982.10) (C=*1982.10)										
22	1	124450-07300	POINTER	1	1	1						
23	1	26557-060102	SCREW M 6X 10	2	2	2						
24	1	124240-01881	GASKET, HO-P	1	1	1						
24-1	1	124240-01882	GASKET, HO-P	1	1	1						R
		(A=*1980.05) (B=*1980.05) (C=*1980.05)										
24-2	1	124950-26021	GASKET	1	1	1						R
		(A=*1981.08) (B=*1981.08) (C=*1981.08)										
24-3	1	124240-01883	GASKET, (NON ASB.)	1	1	1						R
		(A=E/# A2896) (B=E/# A2896) (C=E/# A2896)										
25	1	26216-080222	STUD M 8X 22 PLATED	4	4	4						
25-1	1	26014-080252	BOLT M 8X 25	4	4	4						N
		(A=E/# 96691) (B=E/# 96691) (C=E/# 96691)										
26	1	26716-080002	NUT M 8	4	4	4						Z
		(A=E/# 96691) (B=E/# 96691) (C=E/# 96691)										
27	1	22137-080000	WASHER 8, POLISHED	4	4	4						Z
		(A=E/# 96691) (B=E/# 96691) (C=E/# 96691)										
28	1	22217-080000	SPRING WASHER 8	4	4	4						Z
		(A=E/# 96691) (B=E/# 96691) (C=E/# 96691)										
29	1	121250-26160	CONNECTOR	1	1	1						
30	1	121250-26201	GEAR, HO-P	1	1	1						
31	1	121250-26210	SPACER	1	1	1						
32	1	121250-26400	SHAFT, HO-P	1	1	1						
33	1	124450-26410	WASHER	1	1	1						
34	1	22252-000420	CIRCLIP 42	1	1	1						
35	1	24101-060044	BALL BEARING 6004	2	2	2						
36	1	26116-120652	BOLT M12X 65 PLATED	1	1	1						
37	1	124250-91400	GEAR UNIT,TACHOMETER	1	1	1						
38	1	124250-91411	GASKET	1	1	1						
38-1	1	124250-91412	GASKET, TACHOMETER	1	1	1						N
		(A=*1980.05) (B=*1980.05) (C=*1980.05)										
39	1	26116-060166	BOLT M 6X 16 PLATED	2	2	2						
39-1	1	26106-060162	BOLT M 6X 16 PLATED	2	2	2						N
		(A=*1982.10) (B=*1982.10) (C=*1982.10)										

N:Old ↔ New, Q:Old ↔ New, R:Old ↔ New, S:Old ↔ New, W:Add, Z:Discontinued, F:Set Change, K:Q'ty Change  
++ CONTINUE ++  
(C)Copy Rights YANMAR CO.,LTD and YANMAR AGRICULTURAL EQUIPMENT CO.,LTD.

Fig.2. GEARS HOUSING

Fig.2 GEARS HOUSING



\*-MARK PARTS: NOT SOLD SEPARATELY.

Y00T2341 2. GEARS HOUSING

(A)=3T84A  
(B)=3T84A-LP  
(C)=3T84A-LPP

(D)=  
(E)=  
(F)=

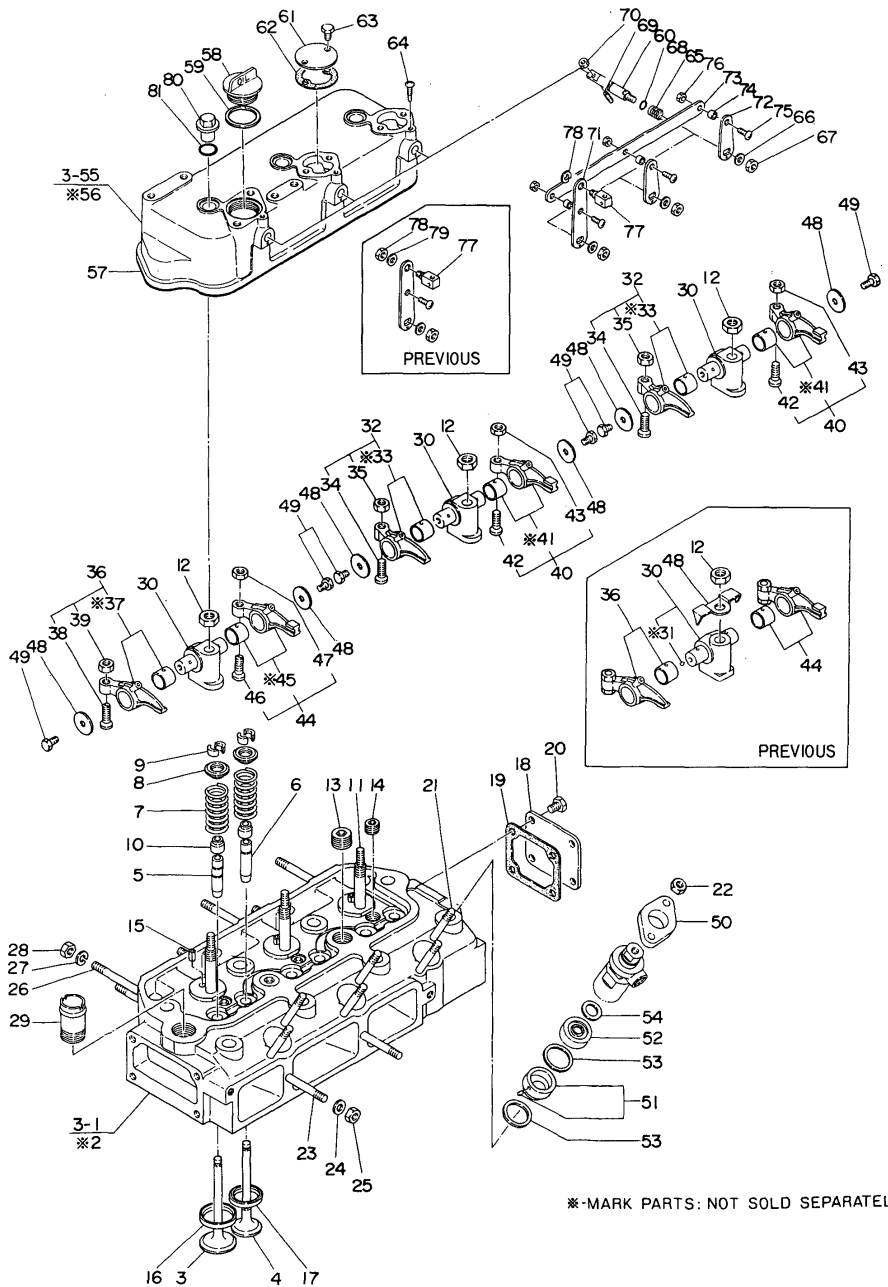
REF.	LEV.	PARTS NO.	DESCRIPTION	Q'TY						I	R
				(A)	(B)	(C)	(D)	(E)	(F)		
40	1	26116-060326	BOLT M 6X 32 PLATED	1	1	1					
41	1	23414-060000	GASKET 6, ROUND	3	3	3					

Fig.3. CYLINDER HEAD

(A)=3T84A  
(B)=3T84A-LP  
(C)=3T84A-LPP

(D)=  
(E)=  
(F)=

Fig.3 CYLINDER HEAD



\*-MARK PARTS: NOT SOLD SEPARATELY.

REF.	LEV.	PARTS NO.	DESCRIPTION	Q'TY						I	R
				(A)	(B)	(C)	(D)	(E)	(F)		
1	1	721250-11700	HEAD ASSY, CYLINDER	1	1	1					
1-1	1	721252-11700	HEAD ASSY, CYLINDER	1	1	1					S 1
		(A=E/# 80342) (B=E/# 80342) (C=E/# 80342)									
3	2	104600-11100	VALVE, SUCTION	3	3	3					
4	2	104600-11110	VALVE, EXHAUST	3	3	3					
5	2	124450-11160	GUIDE, VALVE	3	3	3					
5-1	2	124450-11161	GUIDE, VALVE	3	3	3					R
		(A=*) (B=*) (C=*)									
5-2	2	124450-11800	GUIDE, VALVE	3	3	3					R
		(A=*) (B=*) (C=*)									
5-3	2	120130-11160	GUIDE, VALVE	3	3	3					N
		(A=E/# 97472) (B=E/# 97472) (C=E/# 97472)									
5-4	2	120130-11860	GUIDE, VALVE	3	3	3					N
		(A=E/# 97472) (B=E/# 97472) (C=E/# 97472)									
6	2	124450-11170	GUIDE, VALVE	3	3	3					
6-1	2	124450-11171	GUIDE, VALVE	3	3	3					R
		(A=*) (B=*) (C=*)									
6-2	2	124450-11810	GUIDE, VALVE	3	3	3					R
		(A=*) (B=*) (C=*)									
6-3	2	129150-11170	GUIDE, VALVE	3	3	3					N
		(A=E/# 97472) (B=E/# 97472) (C=E/# 97472)									
6-4	2	129150-11810	GUIDE, VALVE	3	3	3					N
		(A=E/# 97472) (B=E/# 97472) (C=E/# 97472)									
7	2	104511-11120	SPRING, VALVE	6	6	6					
8	2	103338-11180	RETAINER, SPRING	6	6	6					
9	2	103338-11190	COTTER 8	6	6	6					
9-1	2	27310-080000	COTTER 8	6	6	6					R
		(A=FROM 1ST) (B=FROM 1ST) (C=FROM 1ST)									
9-2	2	27310-080001	COTTER 8	6	6	6					R
		(A=FROM 1ST) (B=FROM 1ST) (C=FROM 1ST)									
10	2	124460-11340	SEAL, VALVE STEM	6	6	6					
11	2	104700-11350	STUD	3	3	3					
12	2	124460-11270	NUT M12	3	3	3					
13	2	23873-040000	PLUG PT 1/2	2	2	2					
13-1	1	23871-040000	PLUG PT1/2,SCREW	2	2	2					R
		(A=FROM 1ST) (B=FROM 1ST) (C=FROM 1ST)									
14	2	23873-020000	PLUG PT 1/4	3	3	3					
14-1	1	23871-020000	PLUG PT1/4,SCREW	3	3	3					R
		(A=FROM 1ST) (B=FROM 1ST) (C=FROM 1ST)									
15	2	22351-060014	SPRING PIN 6X14	3	3	3					
15-1	2	22351-060012	SPRING PIN 6X12	3	3	3					R
		(A=*1981.09) (B=*1981.09) (C=*1981.09)									
16	2	121370-11080	SEAT, SUCTION VALVE	3	3	3					W
		(A=E/# 80342) (B=E/# 80342) (C=E/# 80342)									
16-1	2	121420-11080	SEAT, SUCTION VALVE	3	3	3					S 2
		(A=E/# 97472) (B=E/# 97472) (C=E/# 97472)									
17	2	121750-11090	SEAT, EXHAUST VALVE	3	3	3					W
		(A=E/# 80342) (B=E/# 80342) (C=E/# 80342)									
17-1	2	121422-11090	SEAT, EXHAUST VALVE	3	3	3					S 2
		(A=E/# 97472) (B=E/# 97472) (C=E/# 97472)									
18	2	124450-11671	COVER, SIDE	1	1	1					

N:Old ↔ New, Q:Old ↔ New, R:Old ↔ New, S:Old ↔ New, W:Add, Z:Discontinued, F:Set Change, K:Q'ty Change  
++ CONTINUE ++  
(C)Copy Rights YANMAR CO.,LTD and YANMAR AGRICULTURAL EQUIPMENT CO.,LTD.

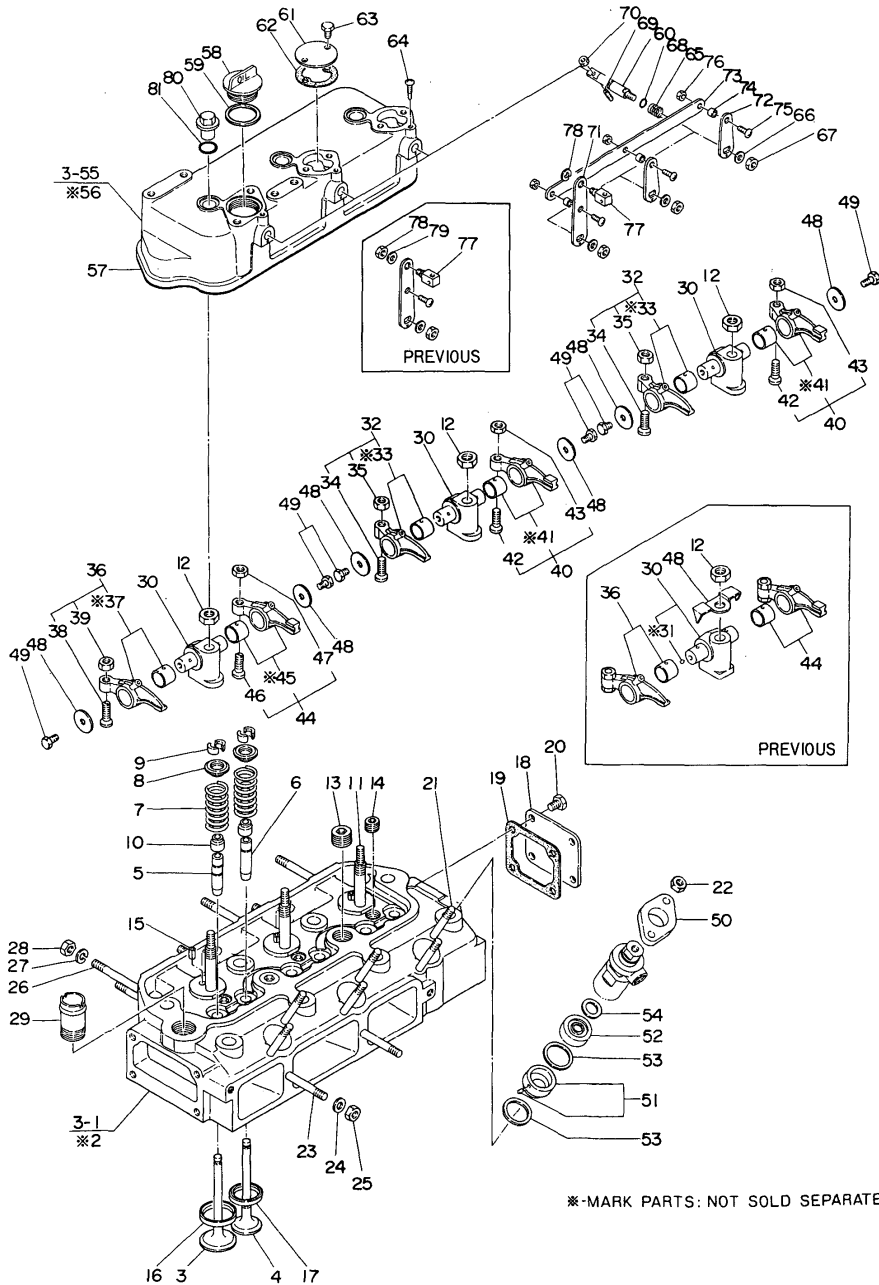


Fig.3. CYLINDER HEAD

(A)=3T84A  
(B)=3T84A-LP  
(C)=3T84A-LPP

(D)=  
(E)=  
(F)=

Fig.3 CYLINDER HEAD



\*-MARK PARTS: NOT SOLD SEPARATELY.

REF.	LEV.	PARTS NO.	DESCRIPTION	Q'TY						I	R
				(A)	(B)	(C)	(D)	(E)	(F)		
19	2	124450-11681	GASKET	1	1	1					
20	2	26116-080122	BOLT M 8X 12 PLATED	4	4	4					
20-1	1	26106-080122	BOLT M 8X 12 PLATED	4	4	4					N
21	2	26216-080502	STUD M 8X 50 PLATED	6	6	6					
22	2	26716-080002	NUT M 8	6	6	6					
22-1	1	121465-11950	NUT	6	6	6					N
23-1	2	121250-11550	BOLT, INT.MANIFOLD	2	2	2					
24	2	22137-080000	WASHER 8, POLISHED	2	2	2					Z
25	2	26716-080002	NUT M 8	2	2	2					
25-1	1	26366-080002	NUT M 8	2	2	2					N
26	2	121250-13530	STUD, EXH.MANIFOLD	6	6	6					
27	2	22217-080000	SPRING WASHER 8	6	6	6					Z
28	2	26716-080002	NUT M 8	6	6	6					
28-1	1	26366-080002	NUT M 8	6	6	6					N
29	2	124160-49480	JOINT, PIPE	1	1	1					
30	1	124450-11250	SUPPORT, ROCKER ARM	3	3	3					
30-1	1	121252-11260	SUPPORT, ROCKER ARM	3	3	3					S 1
32	1	721250-11650	ARM ASSY, ROCKER	2	2	2					
32-1	1	721252-11650	ARM ASSY, ROCKER	2	2	2					S 3
34	2	101158-11230	SCREW, VALVE	2	2	2					
35	2	26756-080002	LOCK NUT M 8 PLATED	2	2	2					
36	1	721250-11680	ARM ASSY, ROCKER	1	1	1					
36-1	1	721252-11680	ARM ASSY, ROCKER	1	1	1					S 3
38	2	101158-11230	SCREW, VALVE	1	1	1					
39	2	26756-080002	LOCK NUT M 8 PLATED	1	1	1					
40	1	721250-11660	ARM ASSY, ROCKER	2	2	2					
40-1	1	721252-11660	ARM ASSY, ROCKER	2	2	2					S 3
42	2	101158-11230	SCREW, VALVE	2	2	2					
43	2	26756-080002	LOCK NUT M 8 PLATED	2	2	2					
44	1	721250-11670	ARM ASSY, ROCKER	1	1	1					
44-1	1	721252-11670	ARM ASSY, ROCKER	1	1	1					S 3
46	2	101158-11230	SCREW, VALVE	1	1	1					
47	2	26756-080002	LOCK NUT M 8 PLATED	1	1	1					
48	1	124450-11290	RETAINER	3	3	3					
48-1	1	124160-11290	WASHER	6	6	6					S
48-2	1	124060-11290	WASHER	6	6	6					R 1
49	1	26116-060082	BOLT M 6X 8 PLATED	6	6	6					W

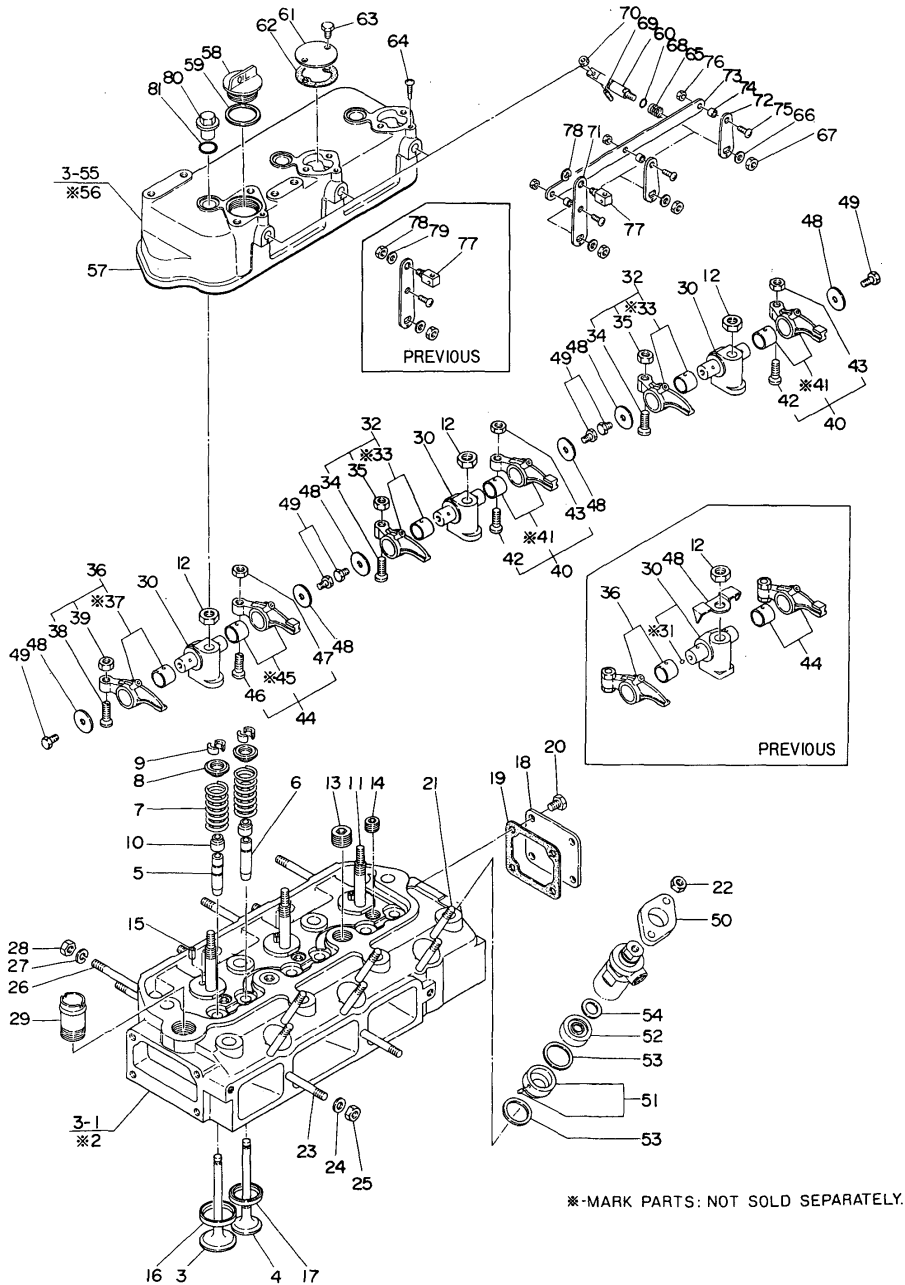
N:Old ↔ New, Q:Old ↔ New, R:Old ↔ New, S:Old ↔ New, W:Add, Z:Discontinued, F:Set Change, K:Q'ty Change  
++ CONTINUE ++  
(C)Copy Rights YANMAR CO.,LTD and YANMAR AGRICULTURAL EQUIPMENT CO.,LTD.

Fig.3. CYLINDER HEAD

(A)=3T84A  
(B)=3T84A-LP  
(C)=3T84A-LPP

(D)=  
(E)=  
(F)=

Fig.3 CYLINDER HEAD



\*-MARK PARTS: NOT SOLD SEPARATELY.

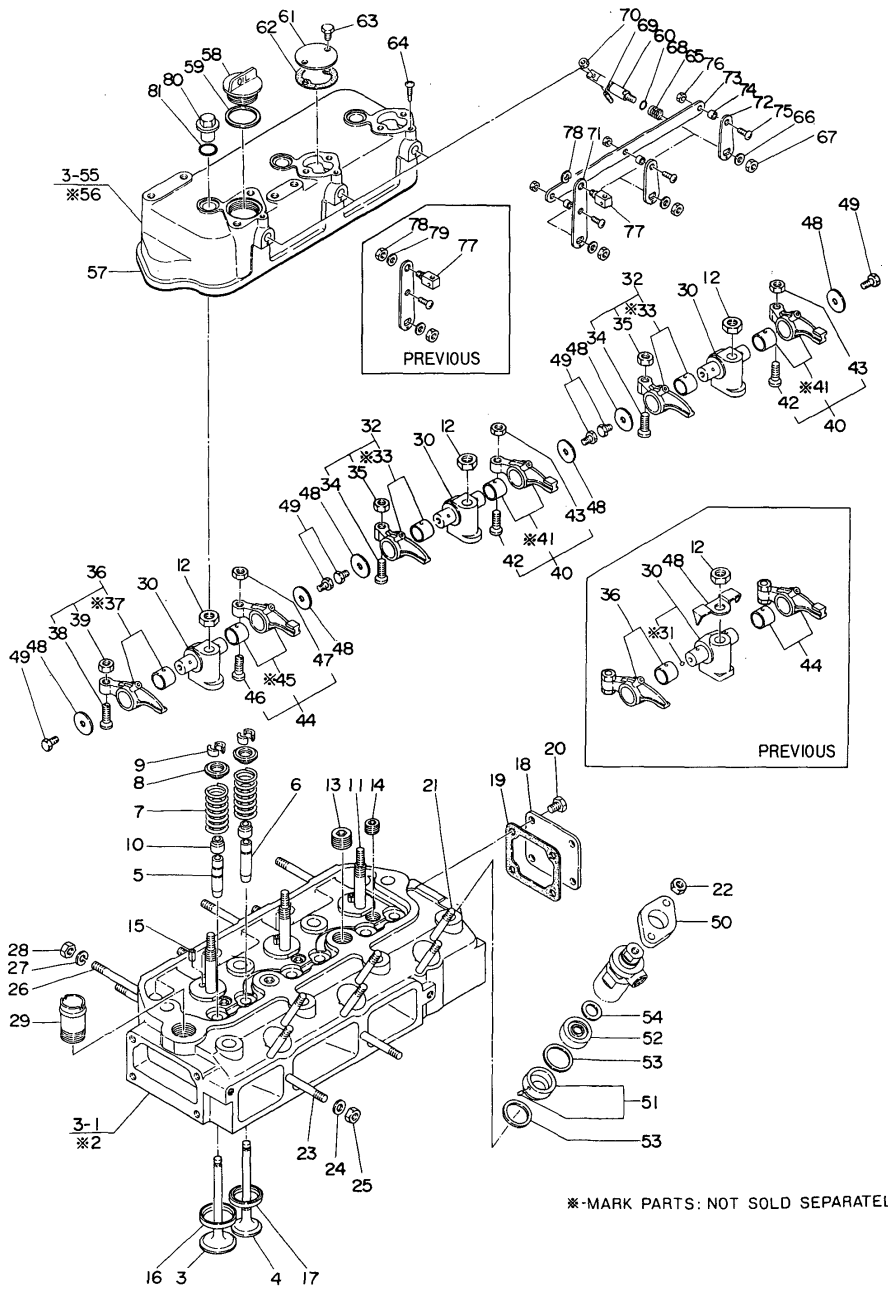
REF.	LEV.	PARTS NO.	DESCRIPTION	Q'TY						I	R	
				(A)	(B)	(C)	(D)	(E)	(F)			
49-1	1	26106-060082	BOLT M 6X 8 PLATED	6	6	6					N	1
		(A=*1982.10) (B=*1982.10) (C=*1982.10)										
50	1	173400-11900	FLANGE	3	3	3						
51	1	124450-11420	CHAMBER, FRONT	3	3	3						
51-1	1	124450-11401	CHAMBER, FRONT	3	3	3					R	
		(A=*1981.09) (B=*1981.09) (C=*1981.09)										
52	1	124450-11410	CHAMBER, REAR	3	3	3						
53	1	104900-11450	GASKET, CHAMBER	6	6	6						
54	1	103854-11490	INSULATOR	3	3	3						
55	1	721250-11521	BONNET ASSY, HEAD	1	1	1						
57	2	121370-11310	GASKET, BONNET	1	1	1						
58	2	124160-01750	CAP	1	1	1						
58-1	2	124160-01751	CAP, LUB.OIL SUPPLY	1	1	1					N	
		(A=*1982.07) (B=*1982.07) (C=*1982.07)										
59	2	24321-000350	O-RING 1A G-35.0	1	1	1						
59-1	2	121420-01760	O-RING	1	1	1					N	
		(A=*1980.05) (B=*1980.05) (C=*1980.05)										
59-2	1	24311-000320	O-RING 1A P-32.0	1	1	1					R	
		(A=E/# 98804) (B=E/# 98804) (C=E/# 98804)										
60	2	121250-03610	SHAFT, DECOMPRESSION	3	3	3						
61	2	124460-03650	COVER	2	2	2						
62	2	124460-03662	GASKET	2	2	2						
62-1	2	124460-03663	GASKET	2	2	2					N	
		(A=*1981.08) (B=*1981.08) (C=*1981.08)										
63	2	26116-060102	BOLT M 6X 10 PLATED	4	4	4						
63-1	1	26106-060102	BOLT M 6X 10 PLATED	4	4	4					N	
		(A=*1982.10) (B=*1982.10) (C=*1982.10)										
64	2	124250-03640	SCREW, STOP	3	3	3						
65	2	104200-03641	SPRING, DECOMPRESSION	3	3	3						
66	2	22117-060000	WASHER 6	3	3	3					Z	
		(A=*1982.10) (B=*1982.10) (C=*1982.10)										
67	2	26716-060002	NUT M 6	3	3	3						
67-1	1	26366-060002	NUT M 6	3	3	3					N	
		(A=*1982.10) (B=*1982.10) (C=*1982.10)										
68	2	24311-000070	O-RING 1A P-7.0	3	3	3						
69	2	120220-03660	SCREW	3	3	3						
70	2	26756-050002	LOCK NUT M 5 PLATED	3	3	3						
71	2	121250-03740	LEVER, DECOMPRESSION	1	1	1						
72	2	121250-03751	LEVER, DECOMPRESSION	2	2	2						
72-1	1	121462-03740	LEVER, DECOMPRESSION	2	2	2					S	
		(A=E/# A1786) (B=E/# A1786) (C=E/# A1786)										
73	2	121250-03761	CONNECTOR	1	1	1						
74	2	121250-03770	COLLAR	3	3	3						
75	2	26557-050122	SCREW M 5X 12	3	3	3						
76	2	26756-050002	LOCK NUT M 5 PLATED	3	3	3						
77	2	121250-03782	FITTING	1	1	1						
77-1	2	121250-03783	FITTING	1	1	1					S	4
		(A=*1980.03) (B=*1980.03) (C=*1980.03)										
78	2	26716-060002	NUT M 6	1	1	1					Z	4
		(A=*1980.03) (B=*1980.03) (C=*1980.03)										
78-1	2	22272-000060	CIRCLIP E- 6	1	1	1					W	4

Fig.3. CYLINDER HEAD

(A)=3T84A  
(B)=3T84A-LP  
(C)=3T84A-LPP

(D)=  
(E)=  
(F)=

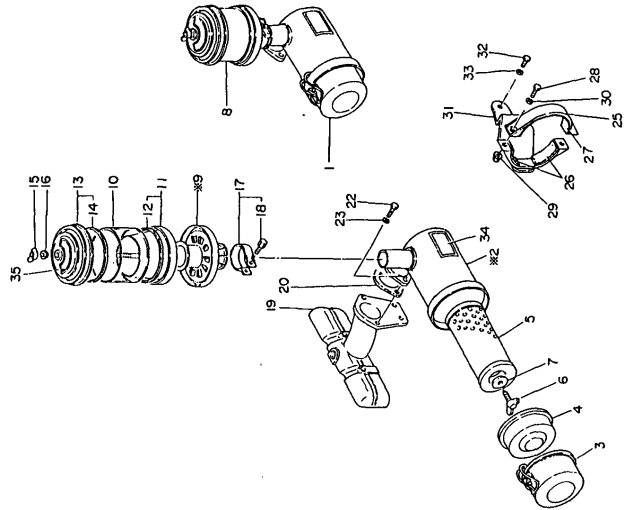
Fig.3 CYLINDER HEAD



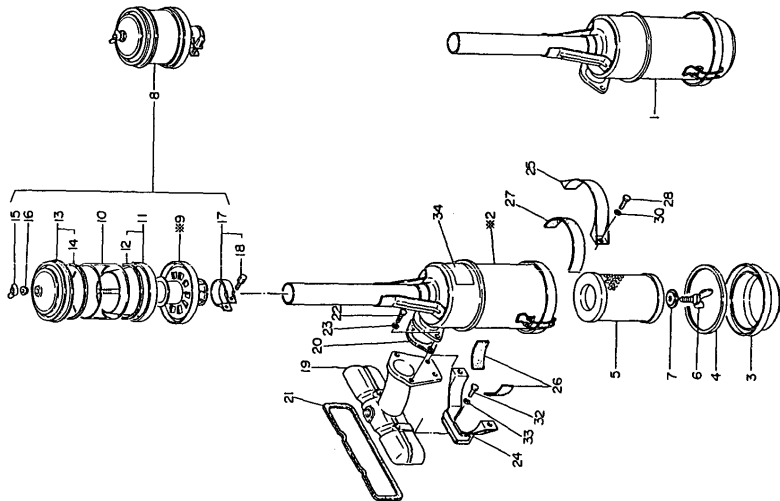
※-MARK PARTS: NOT SOLD SEPARATELY.

REF.	LEV.	PARTS NO.	DESCRIPTION	Q'TY						I	R	
				(A)	(B)	(C)	(D)	(E)	(F)			
		(A=*1980.03) (B=*1980.03) (C=*1980.03)										
79	2	22117-060000	WASHER 6	1	1	1					Z	4
		(A=*1980.03) (B=*1980.03) (C=*1980.03)										
80	1	124460-11360	CAP	3	3	3						
81	1	24311-000140	O-RING 1A P-14.0	3	3	3						

Fig.4. AIR CLEANER (WITH PRE-CLEANER)



FOR MODEL 3T84A-LPP



FOR MODEL 3T84A-F  
3T84A-LP

Y00T2341 4. AIR CLEANER (WITH PRE-CLEANER)

(A)=3T84A  
(B)=3T84A-LP  
(C)=3T84A-LPP

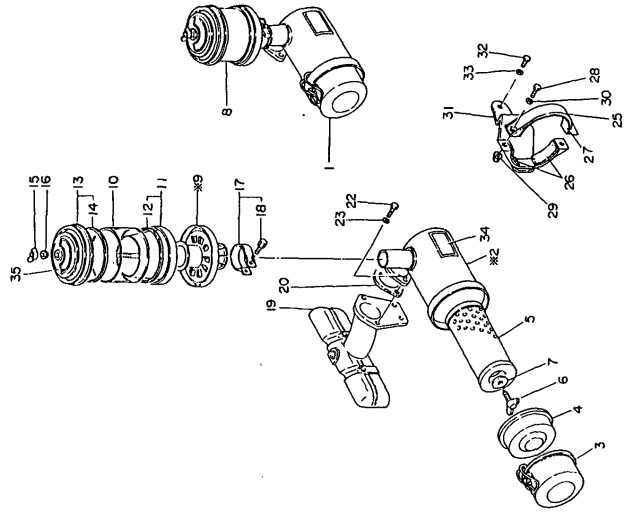
(D)=  
(E)=  
(F)=

REF.	LEV.	PARTS NO.	DESCRIPTION	Q'TY						I	R
				(A)	(B)	(C)	(D)	(E)	(F)		
1	1	124764-12500	CLEANER ASSY, AIR	1	1						
1A	1	121253-12500	CLEANER ASSY, AIR			1					
3	2	124764-12660	PAN ASSY, DUST	1	1						
3A	2	121253-12530	PAN ASSY, DUST			1					
4	2	124764-12670	BAFFLE, AIR CLEANER	1	1						
4A	2	121120-12540	BAFFLE, AIR CLEANER			1					
5	2	124764-12510	ELEMENT, AIR CLEANER	1	1						
5A	2	121253-12510	ELEMENT, AIR CLEANER			1					
6	2	121120-12560	WING BOLT	1	1	1					
7	2	121120-12570	SEAL WASHER	1	1	1					
8	1	124064-12400	PRE-CLEANER ASSY	1	1	1					
10	2	124064-12420	TUBE, CLEANER	1	1	1					
11	2	124064-12470	CASE W/GASKET	1	1	1					
12	3	124064-12430	GASKET, CLEANER	2	2	2					
13	2	124064-12440	COVER, PRE-CLEANER	1	1	1					
14	3	124064-12430	GASKET, CLEANER	2	2	2					
15	2	101147-12550	WING NUT	1	1	1					
15-1	3	124450-12560	WING NUT	1	1	1					N
		(A=*1980.05) (B=*1980.05) (C=*1980.05)									
16	2	124450-12571	WASHER	1	1	1					
17	2	124064-12450	CLAMP W/BOLT	1	1	1					
18	3	124064-12460	BOLT	1	1	1					
19	1	121257-12100	BRACKET, AIR CLEANER	1	1	1					
20	1	124767-12050	GASKET	1	1	1					
21	1	121250-12710	GASKET, INT.MANIFOLD	1	1						
22	1	26116-080202	BOLT M 8X 20 PLATED	2	2	2					
22-1	1	26106-080182	BOLT M 8X 18 PLATED	2	2	2					N
		(A=*1982.10) (B=*1982.10) (C=*1982.10)									
23	1	22217-080000	SPRING WASHER 8	2	2	2					Z
		(A=*1982.10) (B=*1982.10) (C=*1982.10)									
24	1	124764-12590	BRACKET	1	1						
25	1	124764-12560	BRACE (A), CLEANER	1	1	1					
26	1	124764-12570	SEAT (A), BRACE	2	2	2					
27	1	124764-12580	SEAT (B), BRACE	1	1	1					
28	1	26116-080222	BOLT M 8X 22 PLATED	2	2						
28-1	1	26116-080302	BOLT M 8X 30 PLATED	2	2						N
		(A=*) (B=*)									
28-2	1	26106-080282	BOLT M 8X 28 PLATED	2	2						N
		(A=*1982.10) (B=*1982.10)									
28A	1	26116-080252	BOLT M 8X 25 PLATED			2					
28A-1	1	26106-080252	BOLT M 8X 25 PLATED			2					N
		(C=*1982.10)									
29	1	194990-22050	NUT W/WASHER 8			2					
30	1	22217-080000	SPRING WASHER 8	2	2	2					Z
		(A=*1982.10) (B=*1982.10) (C=*1982.10)									
31	1	121253-12110	BRACKET, CLEANER			1					
32	1	26116-080202	BOLT M 8X 20 PLATED	2	2	2					
32-1	1	26106-080182	BOLT M 8X 18 PLATED	2	2						N
		(A=*1982.10) (B=*1982.10)									
32-2	1	26106-080222	BOLT M 8X 22 PLATED			2					N
		(C=*1982.10)									

N:Old ↔ New, Q:Old ↔ New, R:Old ↔ New, S:Old ↔ New, W:Add, Z:Discontinued, F:Set Change, K:Q'ty Change  
++ CONTINUE ++  
(C)Copy Rights YANMAR CO.,LTD and YANMAR AGRICULTURAL EQUIPMENT CO.,LTD.

Fig.4 AIR CLEANER (WITH PRE-CLEANER)

Fig.4. AIR CLEANER (WITH PRE-CLEANER)



FOR MODEL 3T84A-LPP

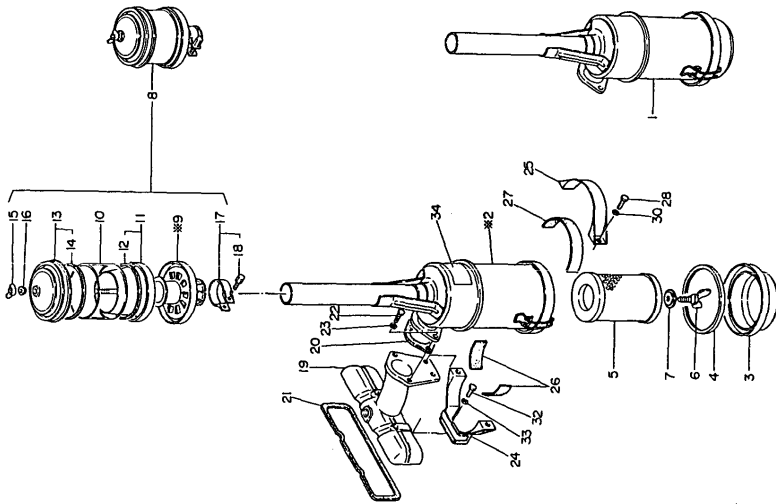
Y00T2341 4. AIR CLEANER (WITH PRE-CLEANER)

(A)=3T84A  
(B)=3T84A-LP  
(C)=3T84A-LPP

(D)=  
(E)=  
(F)=

REF.	LEV.	PARTS NO.	DESCRIPTION	Q'TY						I	R	
				(A)	(B)	(C)	(D)	(E)	(F)			
33	1	22217-080000 (A=*1982.10) (B=*1982.10) (C=*1982.10)	SPRING WASHER 8	2	2	2					Z	
34	1	124764-12600	LABEL, AIR CLEANER		1							1
34-1	1	129136-12600 (A=E/# A2977)	LABEL, AIR CLEANER		1							R 1
34A	1	124740-12600	LABEL, CAUTION			1						2
34B	1	124742-12480	LABEL (PORTUGAL					1				3
35	1	124742-12520	LABEL (PORTUGAL					1				3

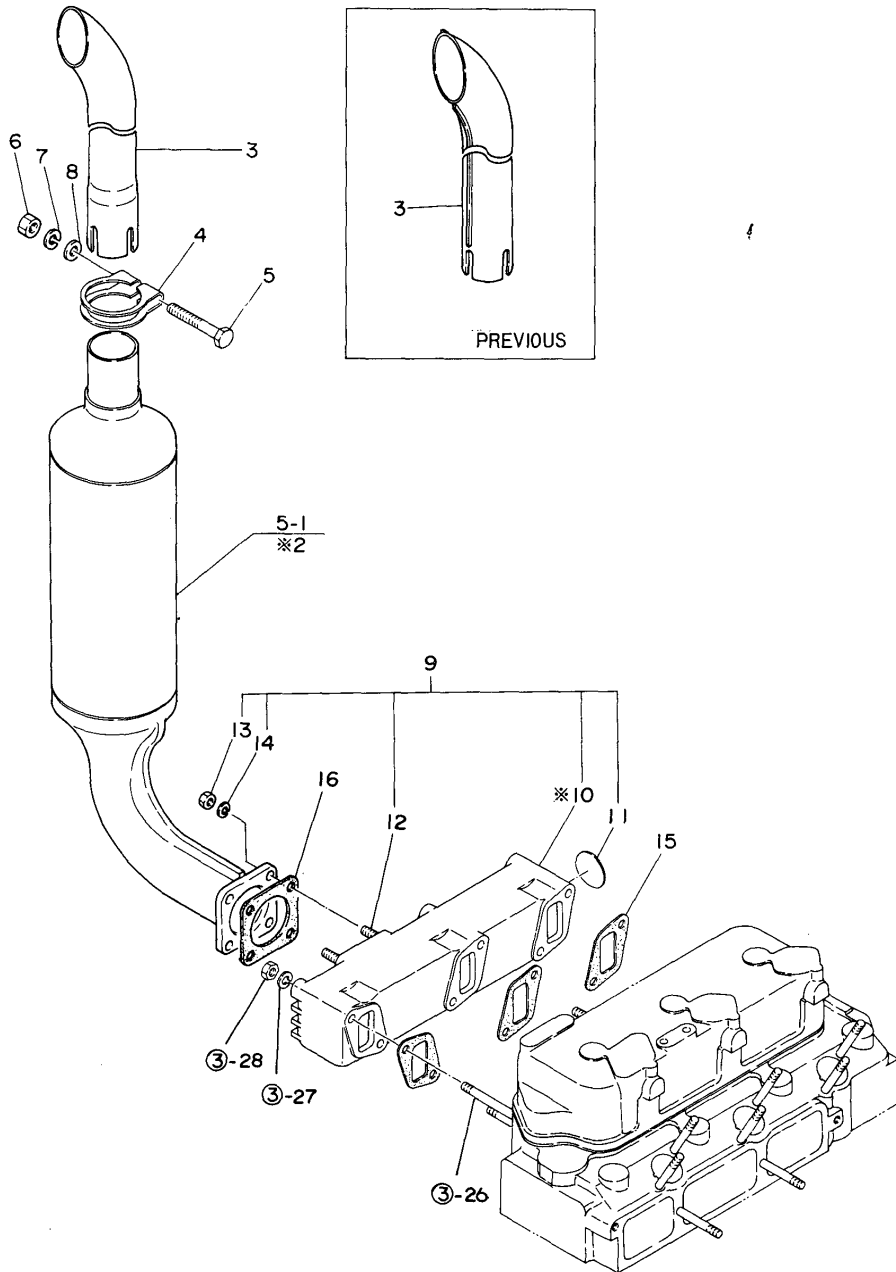
Fig.4 AIR CLEANER (WITH PRE-CLEANER)



FOR MODEL 3T84A-F  
3T84A-LP

Fig.5. SILENCER

Fig.5 SILENCER



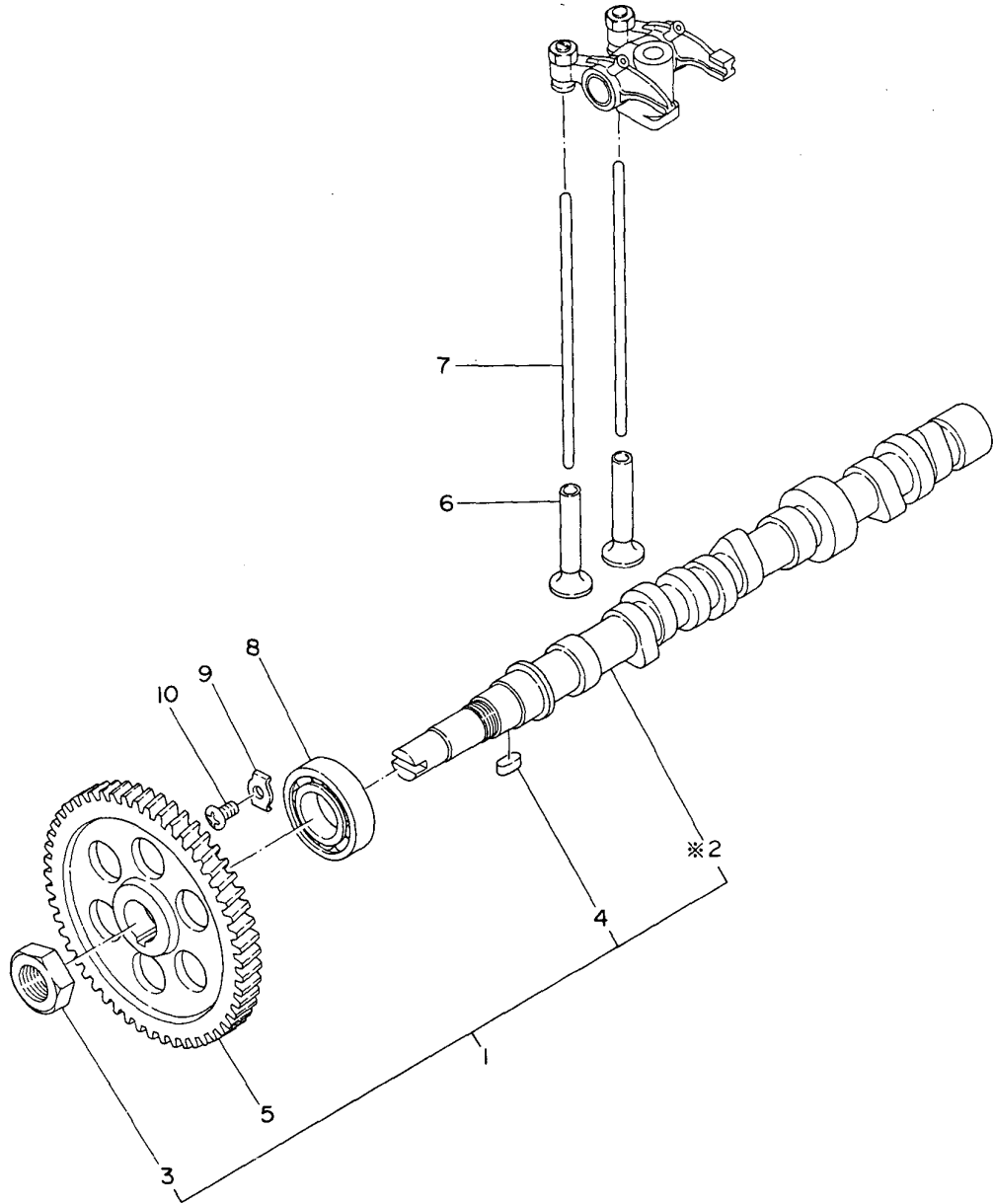
(A)=3T84A  
(B)=3T84A-LP  
(C)=3T84A-LPP

(D)=  
(E)=  
(F)=

REF.	LEV.	PARTS NO.	DESCRIPTION	Q'TY						I	R
				(A)	(B)	(C)	(D)	(E)	(F)		
1	1	721250-13700	SILENCER ASSY	1							
1-1	1	721120-13700	SILENCER ASSY	1							N 1
		(A=*1980.01)									
1-2	1	721254-13700	SILENCER ASSY	1							N
		(A=*1980.02)									
1A	1	721241-13700	SILENCER ASSY		1						2
3	2	121250-13571	PIPE, EXHAUST	1							
3-1	2	121120-13570	PIPE, EXHAUST	1	1						S 1
		(A=*1980.02)									
4	2	121250-13580	CLAMP	1							
4-1	2	121120-13580	CLAMP	1	1						S 1
		(A=*1980.02)									
5	2	26116-100652	BOLT M10X 65 PLATED	1	1						
5-1	1	26106-100652	BOLT M10X 65 PLATED	1	1						N
		(A=*1982.10) (B=*1982.10)									
6	2	26716-100002	NUT M10	1	1						
6-1	1	26706-100002	NUT M10	1	1						N
		(A=*1982.10) (B=*1982.10)									
7	2	22217-100000	SPRING WASHER 10	1	1						
8	2	22117-100000	WASHER 10	1	1						W
		(A=*1980.02) (B=*1980.02)									
8-1	2	22117-100000	WASHER 10	1	1						Z
		(A=*1982.10) (B=*1982.10)									
9	1	721250-13500	MANIFOLD ASSY, EXH.	1	1						
9-1	1	721420-13501	MANIFOLD ASSY, EXH.	1	1	1					N
		(A=*1980.11) (B=*1980.11)									
11	2	27233-350000	PLUG 35	1	1						
11-1	1	27231-350000	PLUG 35	1	1	1					R
		(A=*1980.11) (B=*1980.11)									
12	2	26216-080222	STUD M 8X 22 PLATED	4	4	4					
13	2	26716-080002	NUT M 8	4	4	4					
14	2	22217-080000	SPRING WASHER 8	4	4	4					
15	1	121250-13520	GASKET, EXH.MANIFOLD	3	3	3					
16	1	124450-11900	GASKET	1	1	1					

Fig.6. CAMSHAFT

Fig. 6 CAMSHAFT



Y00T2341 6. CAMSHAFT

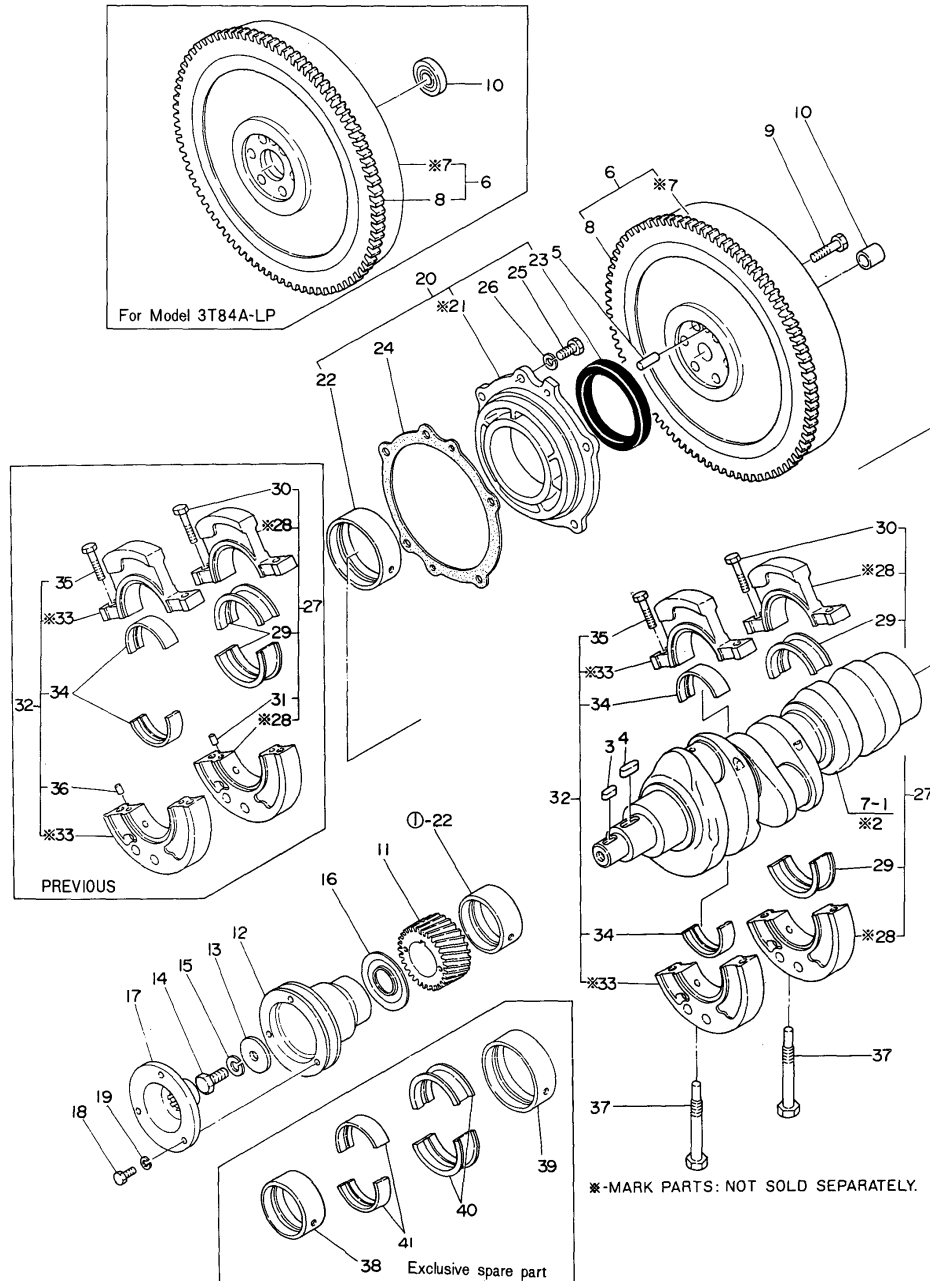
(A)=3T84A  
(B)=3T84A-LP  
(C)=3T84A-LPP

(D)=  
(E)=  
(F)=

REF.	LEV.	PARTS NO.	DESCRIPTION	Q'TY						I	R
				(A)	(B)	(C)	(D)	(E)	(F)		
1	1	721250-14580	CAMSHAFT ASSY	1	1	1					
3	2	124450-14120	NUT	1	1	1					
4	2	22512-070180	KEY 7X 18	1	1	1					
5	1	121250-14100	GEAR, CAMSHAFT	1	1	1					
6	1	103338-14200	TAPPET	6	6	6					
7	1	124450-14400	ROD, PUSH	6	6	6					
8	1	24101-062064	BALL BEARING	1	1	1					
8-1	1	172400-02410	BALL BEARING	1	1	1					N
		(A=*1980.05) (B=*1980.05) (C=*1980.05)									
9	1	121250-02450	RETAINER	1	1	1					
10	1	26587-080122	SCREW M 8X 12	1	1	1					

Fig.7. MAIN BEARING & CRANKSHAFT

Fig.7 MAIN BEARING & CRANKSHAFT



(A)=3T84A  
(B)=3T84A-LP  
(C)=3T84A-LPP

(D)=  
(E)=  
(F)=

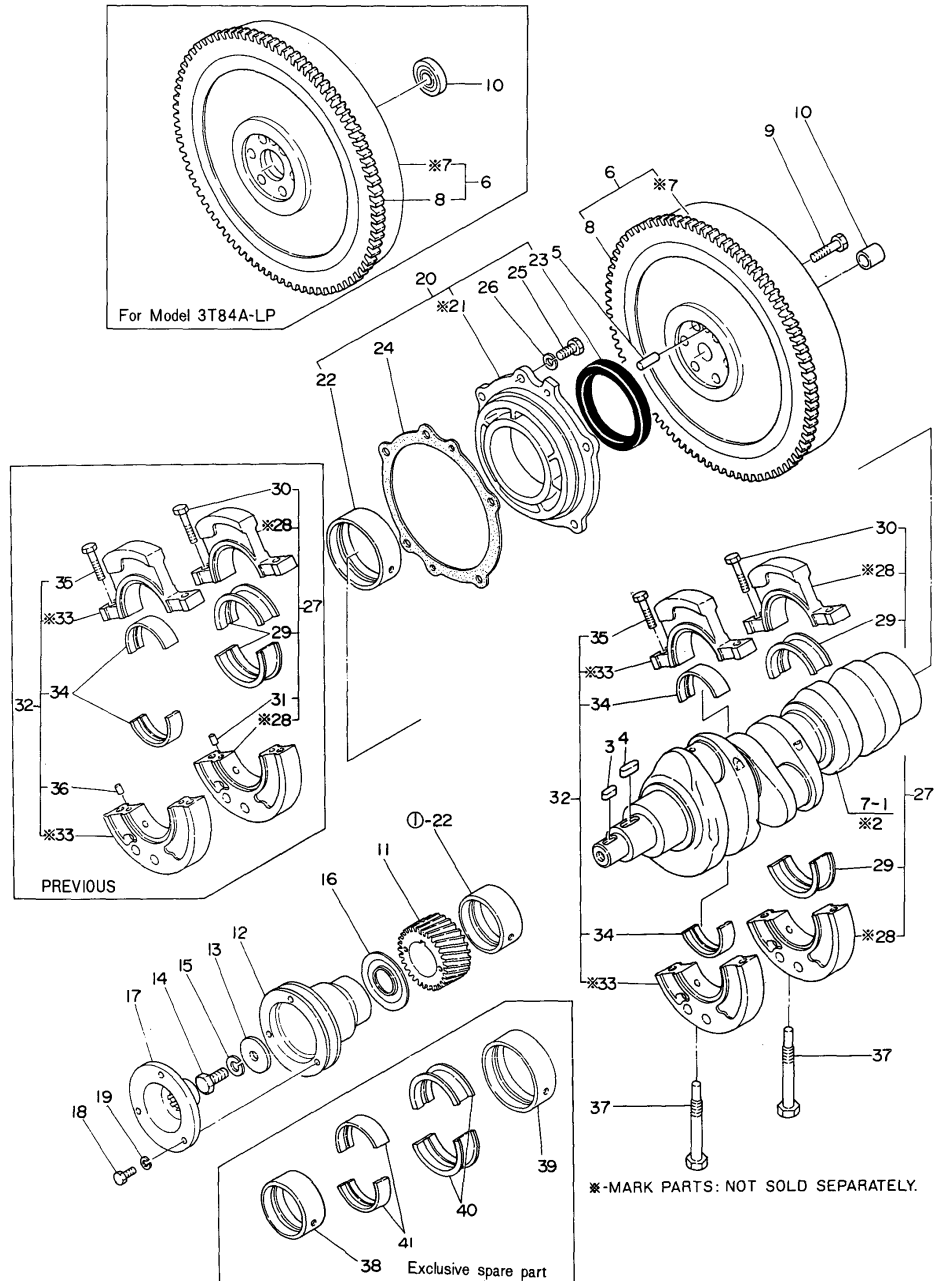
REF.	LEV.	PARTS NO.	DESCRIPTION	Q'TY						I R
				(A)	(B)	(C)	(D)	(E)	(F)	
1	1	721250-21700	CRANKSHAFT ASSY	1	1	1				
2A	2	122710-21350	PLUG M 8	3	3	3				W
		(A=*1982.11) (B=*1982.11) (C=*1982.11)								
3	2	22512-070240	KEY 7X 24	1	1	1				
3-1	2	22512-070242	KEY 7X 24			1				R
		(C=*)								
4	2	22512-070280	KEY 7X 28	1	1	1				
4-1	1	22512-070282	KEY 7X 28			1				R
		(C=*)								
5	2	124227-21920	PARALLEL PIN	1	1	1				
6	1	121250-21590	FLYWHEEL W/RING GEAR	1						
6A	1	121240-21590	FLYWHEEL W/RING GEAR			1				
8	2	124550-21600	GEAR, RING	1	1	1				
9	1	124220-21130	BOLT	6	6	6				
10	1	124450-21230	BUSH, PILOT	1	1	1				
10-1	1	24104-062034	BALL BEARING		1	1				N
		(B=*) (C=*)								
10-2	1	121820-21690	BEARING		1	1				N
		(B=*1982.08) (C=*1982.08)								
11	1	121250-21200	GEAR, CRANKSHAFT	1	1	1				
12	1	121254-21650	V-PULLEY	1	1	1				
12-1	1	121250-21650	V-PULLEY, CRANKSHAFT			1				N
		(C=E/# A1792)								
13	1	124060-21660	WASHER	1	1	1				
14	1	26156-120302	BOLT M12X 30 PLATED	1	1	1				
15	1	22217-120000	WASHER 12,SPRING	1	1	1				
16	1	124160-21700	DISC, OIL SHIELD	1	1	1				
17	1	124764-21690	ADAPTER	1	1	1				
18	1	26116-080182	BOLT M 8X 18 PLATED	3	3	3				
18-1	1	26106-080182	BOLT M 8X 18 PLATED	3						N
		(A=*1982.10)								
18-2	1	26013-080182	BOLT M 8X 18		3					N
		(B=*1982.10)								
18-3	1	26116-080182	BOLT M 8X 18 PLATED			3				Z
		(C=*1982.10)								
19	1	22217-080000	SPRING WASHER 8	3	3	3				
19-1	1	22217-080000	SPRING WASHER 8		3	3				Z
		(B=*1982.10) (C=*1982.10)								
20	1	721250-02500	HOUSING ASSY	1	1	1				
22	2	121250-02110	MAIN BEARING	1	1	1				
23	2	121250-02220	SEAL, OIL	1	1	1				
24	1	124460-02150	GASKET	1	1	1				
25	1	26116-100252	BOLT M10X 25 PLATED	5	5	5				
25-1	1	26013-100252	BOLT W/WASHER M10X25	5	5	5				N
		(A=*1983.01) (B=*1983.01) (C=*1983.01)								
26	1	22217-100000	SPRING WASHER 10	5	5	5				Z
		(A=*1983.01) (B=*1983.01) (C=*1983.01)								
27	1	721250-02610	HOUSING ASSY	1	1	1				
27-1	1	721250-02611	HOUSING ASSY	1	1	1				N
		(A=*1980.06) (B=*1980.06) (C=*1980.06)								
29	2	121250-02120	MAIN BEARING	2	2	2				

\*-MARK PARTS: NOT SOLD SEPARATELY.



Fig.7. MAIN BEARING & CRANKSHAFT

Fig.7 MAIN BEARING & CRANKSHAFT



Y00T2341 7. MAIN BEARING & CRANKSHAFT

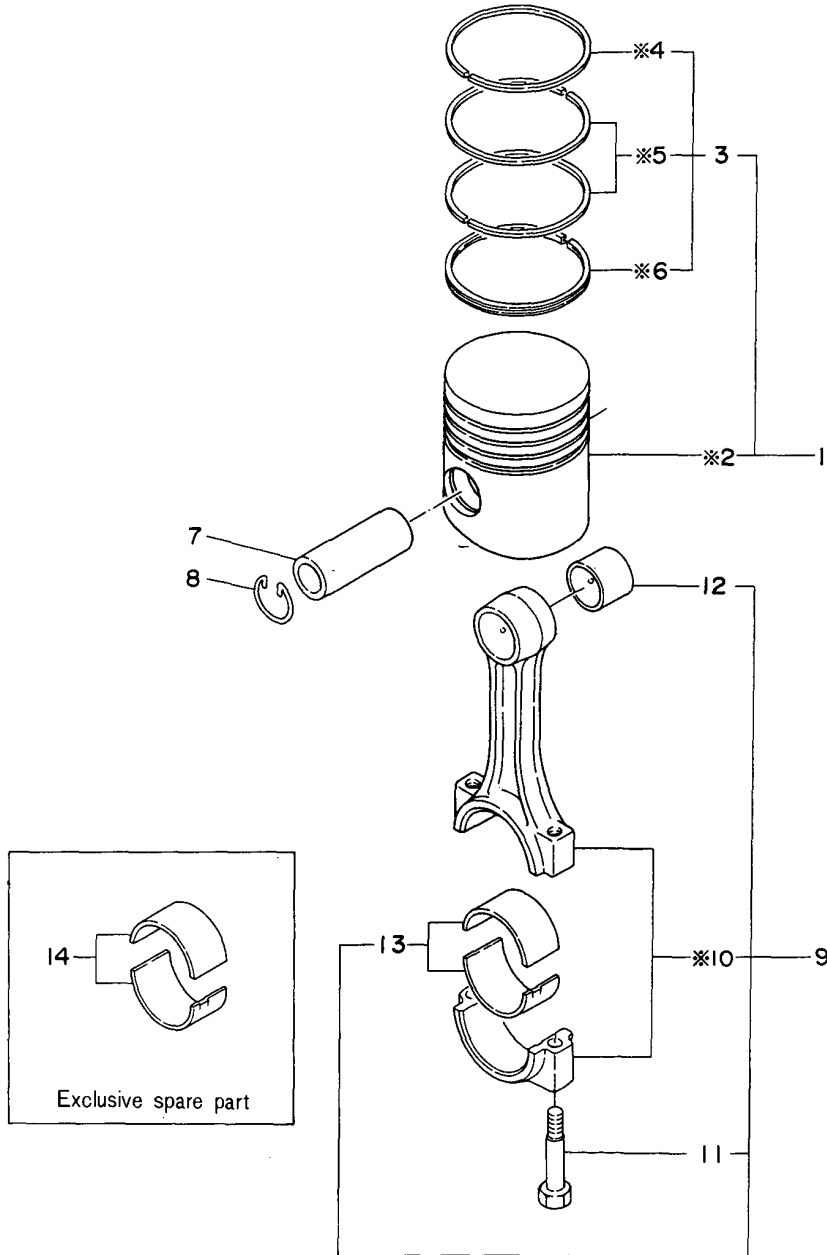
(A)=3T84A  
(B)=3T84A-LP  
(C)=3T84A-LPP

(D)=  
(E)=  
(F)=

REF.	LEV.	PARTS NO.	DESCRIPTION	Q'TY						I	R
				(A)	(B)	(C)	(D)	(E)	(F)		
29-1	2	121250-02800	MAIN BEARING	1	1	1					R
		(A=FROM 1ST) (B=FROM 1ST) (C=FROM 1ST)									
30	2	26112-100501	BOLT M10X 50	2	2	2					
30-1	2	121250-02070	BOLT	2	2	2					S
		(A=E/# 80035) (B=E/# 80035) (C=E/# 80035)									
31	2	22312-060140	PARALLEL PIN 6X14	2	2	2					Z
		(A=E/# 80035) (B=E/# 80035) (C=E/# 80035)									
32	1	721250-02620	HOUSING ASSY	1	1	1					
32-1	1	721250-02621	HOUSING ASSY	1	1	1					N
		(A=*1980.06) (B=*1980.06) (C=*1980.06)									
34	2	121250-02130	MAIN BEARING	2	2	2					
34-1	2	121250-02810	MAIN BEARING	1	1	1					R
		(A=FROM 1ST) (B=FROM 1ST) (C=FROM 1ST)									
35	2	26112-100501	BOLT M10X 50	2	2	2					
35-1	2	121250-02070	BOLT	2	2	2					S
		(A=E/# 80035) (B=E/# 80035) (C=E/# 80035)									
36	2	22312-060140	PARALLEL PIN 6X14	2	2	2					Z
		(A=E/# 80035) (B=E/# 80035) (C=E/# 80035)									
37	1	121150-02300	BOLT	2	2	2					
38	1	124764-02130	MAIN BEARING 0.25US	1	1	1					1
39	1	121254-02140	MAIN BEARING 0.25US	1	1	1					2
40	1	121254-02160	MAIN BEARING 0.25US	1	1	1					3
41	1	121254-02180	MAIN BEARING 0.25US	1	1	1					4

Fig.8. PISTON & CONNECTING ROD

Fig. 8 PISTON & CONNECTING ROD



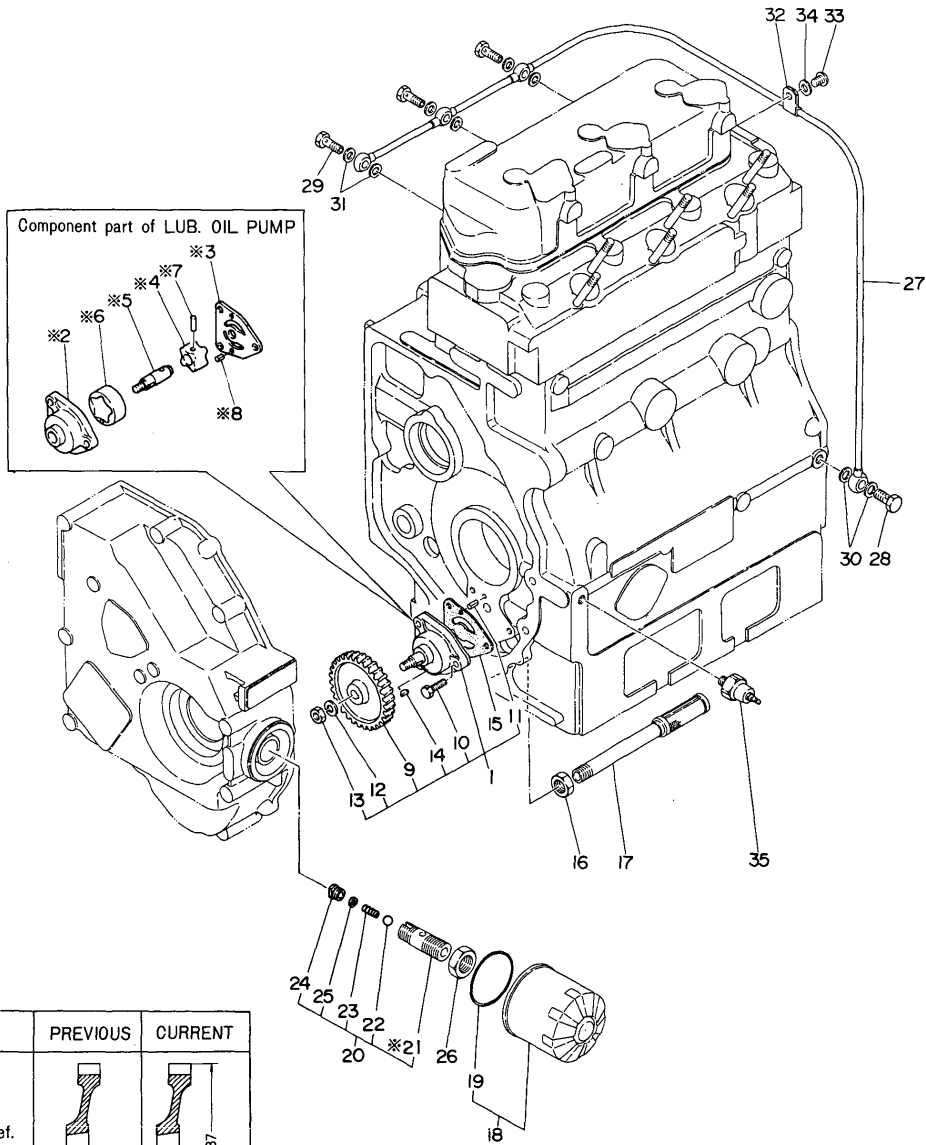
(A)=3T84A  
(B)=3T84A-LP  
(C)=3T84A-LPP

(D)=  
(E)=  
(F)=

REF.	LEV.	PARTS NO.	DESCRIPTION	Q'TY						I	R
				(A)	(B)	(C)	(D)	(E)	(F)		
1	1	721250-22720	PISTON W/RINGS	3							
1-1	1	121252-22090	PISTON W/RINGS	3	3	3					N
(A=*1980.01)											
3	2	721250-22500	RING SET	3	3	3					
7	1	101704-22300	PIN, PISTON	3	3	3					
8	1	104600-22400	CIRCLIP	6	6	6					
9	1	724450-23100	ROD ASSY, CONNECTING	3	3	3					
11	2	124450-23200	BOLT, ROD	6	6	6					
12	2	124450-23100	BUSH, PISTON PIN	3	3	3					
13	2	124450-23300	BEARING, CRANKPIN	6	6	6					
13-1	2	124450-23600	BEARING, CRANKPIN	3	3	3					R
(A=FROM 1ST) (B=FROM 1ST) (C=FROM 1ST)											
14	1	124764-23350	BEARING,PIN U.S=0.25	6	6	6					
14-1	1	124450-23350	BEARING,PIN U.S=0.25	3	3	3					R
(A=FROM 1ST) (B=FROM 1ST) (C=FROM 1ST)											

Fig.9. LUBRICATING OIL SYSTEM

Fig. 9 LUBRICATING OIL SYSTEM



\*-MARK PARTS: NOT SOLD SEPARATELY.

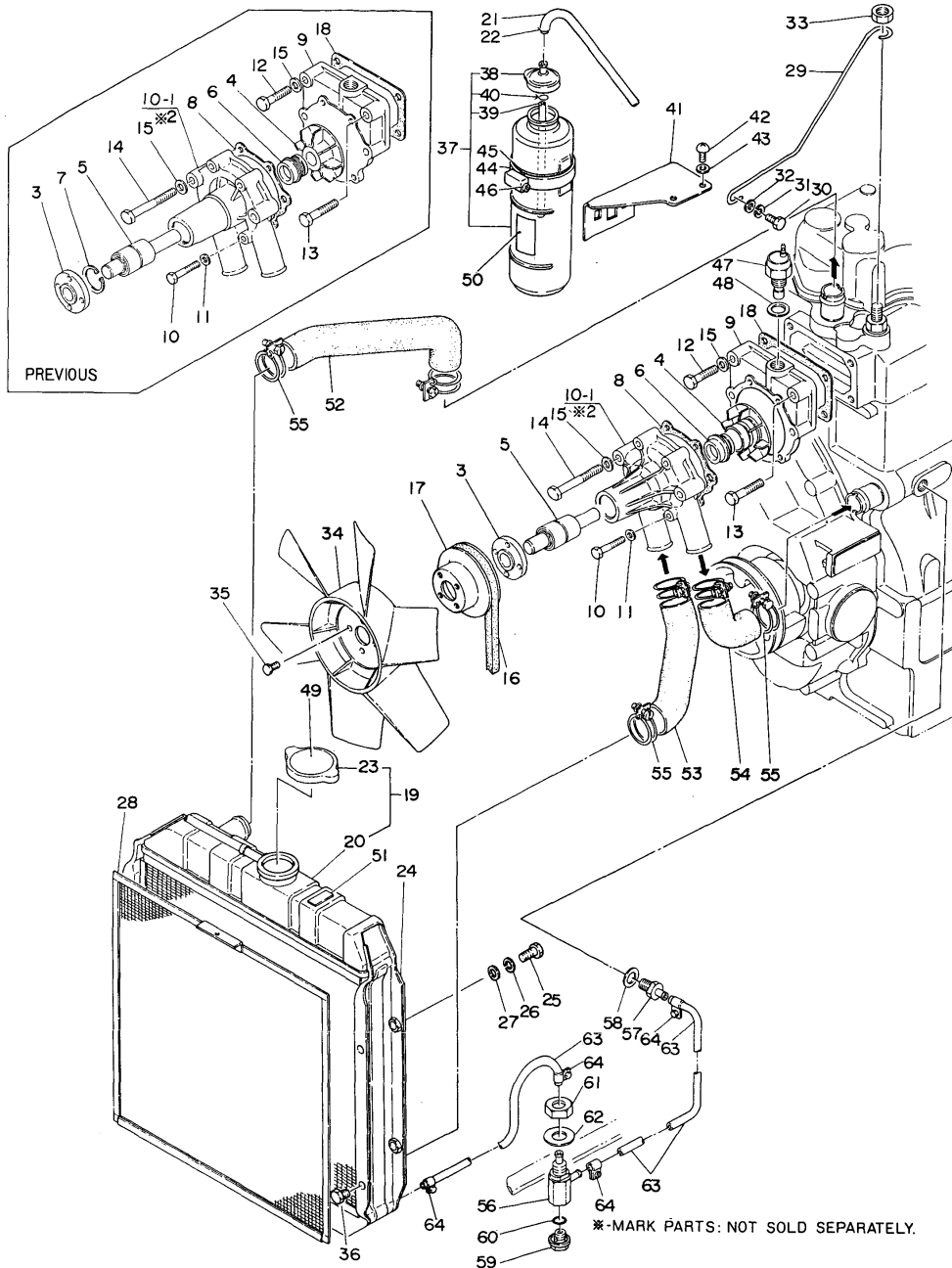
(A)=3T84A  
(B)=3T84A-LP  
(C)=3T84A-LPP

(D)=  
(E)=  
(F)=

REF.	LEV.	PARTS NO.	DESCRIPTION	Q'TY						I	R
				(A)	(B)	(C)	(D)	(E)	(F)		
1	1	721390-32100	PUMP ASSY, LUB. OIL	1							
1-1	1	121390-32001 (A=*)	PUMP ASSY, LUB. OIL	1	1	1					N
1-2	1	721252-32100 (A=*1980.12) (B=*1980.12) (C=*1980.12)	PUMP ASSY, LUB. OIL	1	1	1					N
1-3	1	721423-32100 (A=E/# 98464) (B=E/# 98464) (C=E/# 98464)	PUMP ASSY, LUB. OIL	1	1	1					R
9	2	121390-32200	GEAR, LUB. OIL PUMP	1	1	1					
9-1	2	121252-32200 (A=*1980.12) (B=*1981.09) (C=*1980.12)	GEAR, LUB. OIL PUMP	1	1	1					S
10	2	26116-060222	BOLT M 6X 22 PLATED	3	3	3					
10-1	2	26106-060222 (A=E/# 98464) (B=E/# 98464) (C=E/# 98464)	BOLT M 6X 22 PLATED	3	3	3					N
11	2	22351-040012	SPRING PIN 4X12	1	1	1					
12	2	22217-080000	SPRING WASHER 8	1	1	1					
13	2	26716-080002	NUT M 8	1	1	1					
13-1	2	26756-080002 (A=*1980.12) (B=*1980.12) (C=*1980.12)	LOCK NUT M 8 PLATED	1	1	1					N
14	2	22522-030100	WOODRUFF KEY 3X10	1	1	1					
15	1	124450-32020	GASKET	1	1	1					
16	1	124450-35070	NUT PF1/4	1	1	1					
17	1	121250-35090	PIPE, OIL INLET	1	1	1					
18	1	124550-35110	ELEMENT, LUB. OIL	1	1	1					
19	2	124450-35110	O-RING, L.O.STRAINER	1	1	1					
20	1	121250-35300	VALVE ASSY, CONTROL	1							
20-1	1	124085-35300 (A=*1980.10)	VALVE ASSY, CONTROL	1	1	1					N
22	2	24190-100001	BALL 5/16, STEEL	1	1	1					
23	2	121250-35320	SPRING	1	1	1					
24	2	121250-35330	RETAINER	1	1	1					
25	2	121250-35340	SHIM	1	1	1					
26	1	124450-35350	NUT	1	1	1					
26-1	1	124085-35350 (A=*1981.12) (B=*1981.12) (C=*1981.12)	LOCK NUT M20	1	1	1					R
27	1	121250-39200	PIPE, LUB. OIL	1							
27-1	1	121252-39200 (A=*1980.01)	PIPE ASSY, LUB. OIL	1	1	1					N
28	1	124160-39140	JOINT BOLT 10	1	1	1					
29	1	101147-59810	BOLT, PIPE JOINT	3	3	3					
30	1	23414-100000	GASKET 10, ROUND	2	2	2					
31	1	23414-080000	GASKET 8, ROUND	6	6	6					
32	1	124450-39240	RETAINER, PIPE	1	1	1					
33	1	26557-080102	SCREW M 8X 10	1	1	1					
34	1	22137-080000 (A=*) (B=*) (C=*)	WASHER 8, POLISHED	1	1	1					Z
35	1	121250-39450	SENDER, OIL PRESSURE	1							
35-1	1	121252-39450 (A=*1981.09)	SENDER, OIL PRESSURE	1	1	1					N

Fig.10. COOLING WATER SYSTEM

Fig. 10 COOLING WATER SYSTEM



(A)=3T84A  
(B)=3T84A-LP  
(C)=3T84A-LPP

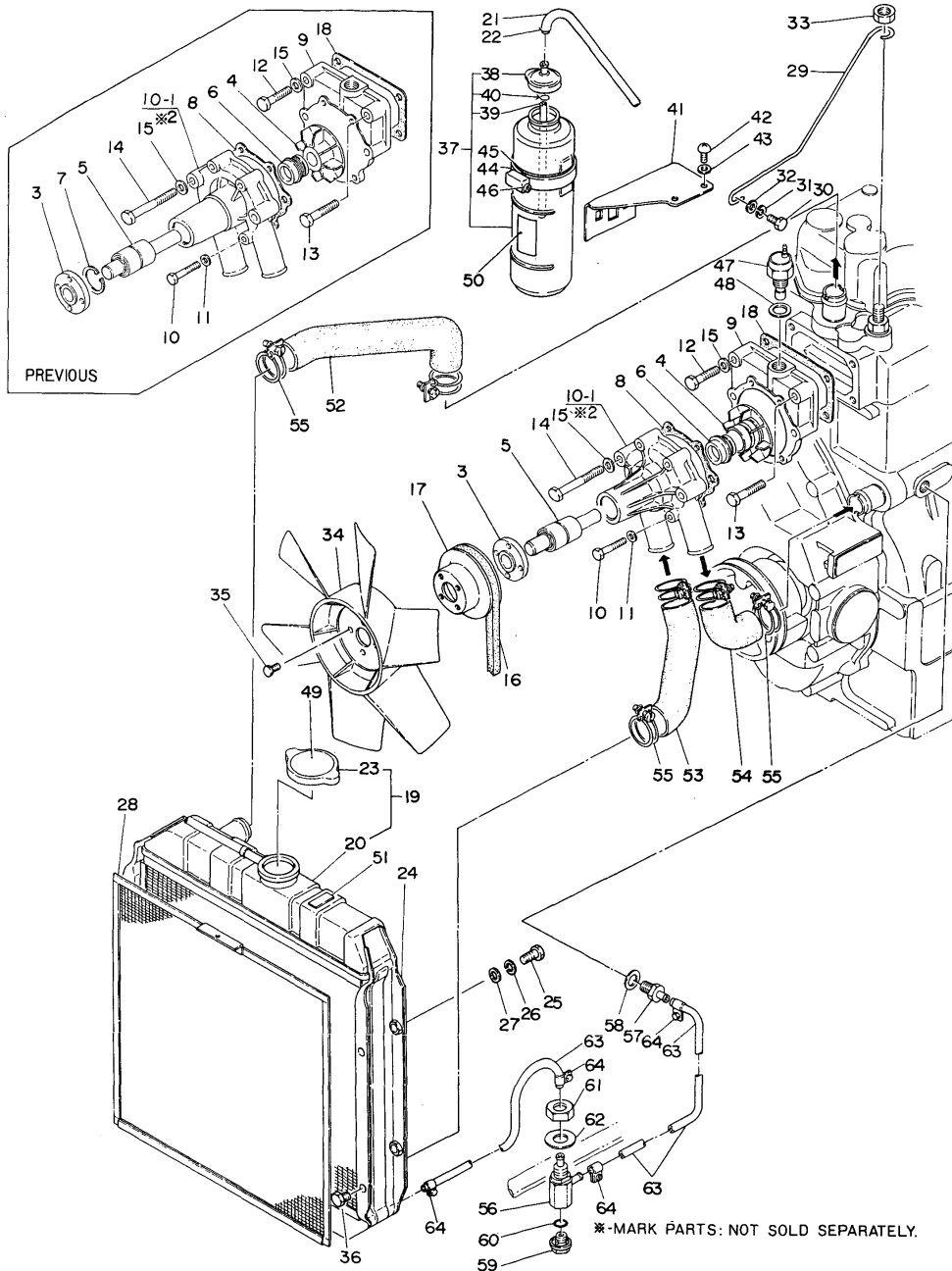
(D)=  
(E)=  
(F)=

REF.	LEV.	PARTS NO.	DESCRIPTION	Q'TY						I	R
				(A)	(B)	(C)	(D)	(E)	(F)		
1	1	721250-42700	PUMP ASSY, C. WATER	1							
1-1	1	121250-42011 (A=E/# 80035)	PUMP ASSY, C. WATER	1	1	1					N
3	2	124550-42260	FLANGE, V-PULLEY	1							
3-1	2	121252-42260 (A=E/# 80035)	FLANGE, V-PULLEY	1	1	1					S
4	2	121250-42200	IMPELLER	1							
4-2	2	120130-43140 (A=E/# 80035)	IMPELLER, C. WATER	1	1	1					S
5	2	124250-42240	SHAFT, IMPELLER	1							
5-1	2	121252-42240 (A=E/# 80035)	SHAFT, IMPELLER	1	1	1					S
6	2	124250-42350	SEAL, MECHANICAL	1							
6-1	2	121450-42310 (A=E/# 80035)	SEAL, MECHANICAL	1	1	1					S
7	2	124250-42170 (A=E/# 80035)	CIRCLIP	1							Z
8	1	124750-42050	GASKET	1							
8-1	2	124750-42051 (A=E/# 80035)	GASKET	1	1	1					S
9	1	121250-42120	BRACKET, C.W. PUMP	1							
9-1	2	121250-42121 (A=E/# 80035)	BRACKET, C.W. PUMP	1	1	1					S
10	1	26116-060382	BOLT M 6X 38 PLATED	4							
10-1	2	26116-060402 (A=E/# 80035)	BOLT M 6X 40 PLATED	4	4	4					S
10-2	1	26106-060382 (A=*1983.01)	BOLT M 6X 38 PLATED (C=*1983.01)	4		4					N
11	1	22117-060000	WASHER 6	4							
11-1	2	22117-060000 (A=E/# 80035)	WASHER 6	4	4	4					S
11-2	2	22117-060000 (A=*1983.01)	WASHER 6 (B=*1983.01) (C=*1983.01)	4	4	4					Z
12	1	26116-080402	BOLT M 8X 40 PLATED	1	1	1					
12-1	1	26106-080382 (A=*1983.01)	BOLT M 8X 38 PLATED (B=*1983.01) (C=*1983.01)	1	1	1					N
13	1	26116-080452	BOLT M 8X 45 PLATED	1	1	1					
13-1	1	26106-080452 (A=*1983.01)	BOLT M 8X 45 PLATED (B=*1983.01) (C=*1983.01)	1	1	1					N
14	1	26116-080702	BOLT M 8X 70 PLATED	2	2	2					
14-1	1	26106-080702 (A=*1982.10)	BOLT M 8X 70 PLATED (B=*1982.10) (C=*1982.10)	2	2	2					N
15	1	22117-080000 (A=*1982.10)	WASHER 8 (B=*1982.10) (C=*1982.10)	3	3	3					Z
16	1	124240-42291	V-BELT (A-37)	1	1	1					
17	1	124750-42350	V-PULLEY, C.W. PUMP	1	1	1					
18	1	124450-44410	GASKET	1	1	1					
19	1	121254-44500	RADIATOR	1	1	1					
19-1	1	121257-44500 (C=E/# A0675)	RADIATOR			1					S
19A	1	121257-44760	SPACER			1					W

N:Old ↔ New, Q:Old ↔ New, R:Old ↔ New, S:Old ↔ New, W:Add, Z:Discontinued, F:Set Change, K:Q'ty Change  
++ CONTINUE ++ (C)Copy Rights YANMAR CO.,LTD and YANMAR AGRICULTURAL EQUIPMENT CO.,LTD.

Fig.10. COOLING WATER SYSTEM

Fig. 10 COOLING WATER SYSTEM



(A)=3T84A  
(B)=3T84A-LP  
(C)=3T84A-LPP

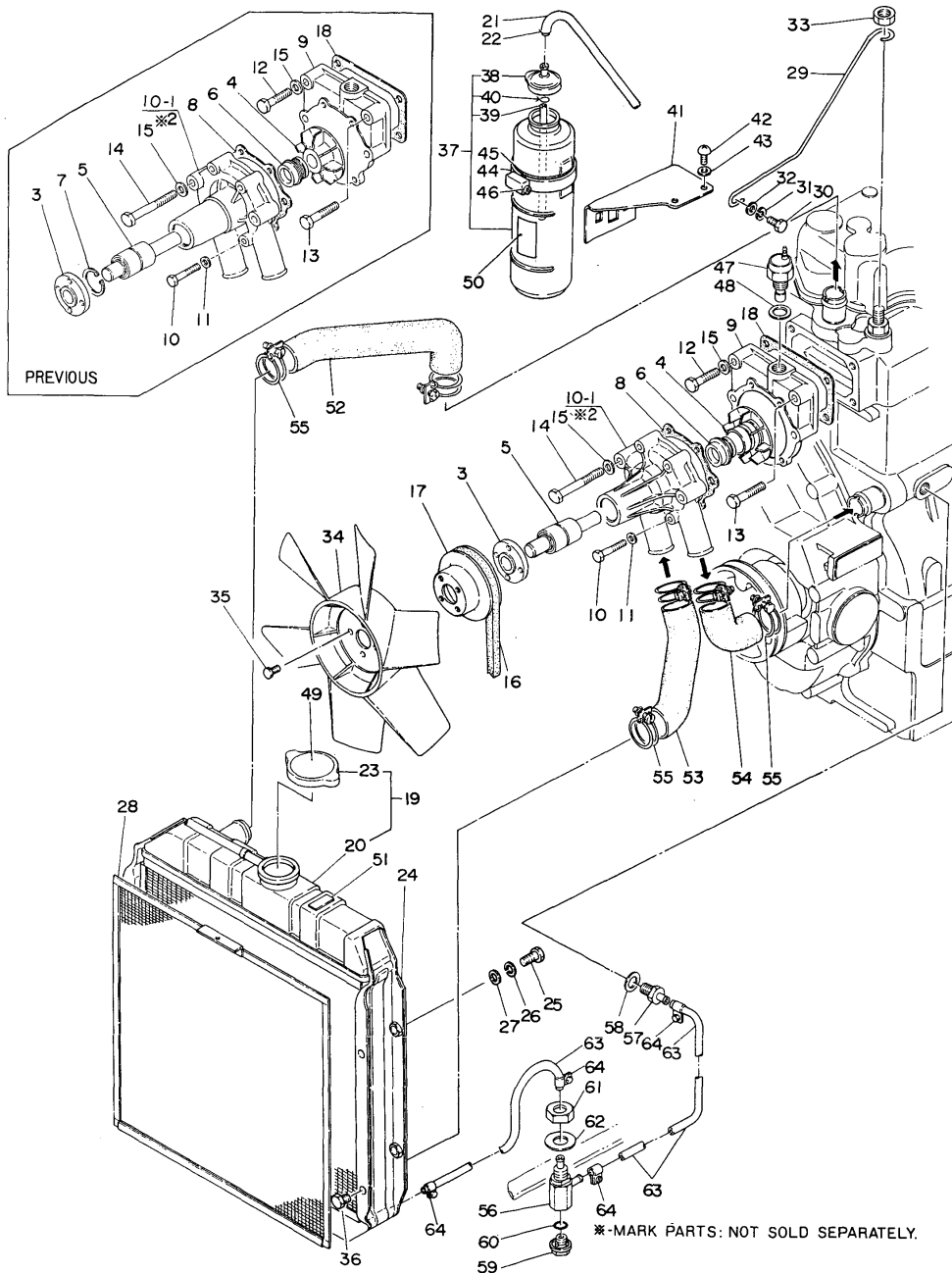
(D)=  
(E)=  
(F)=

REF.	LEV.	PARTS NO.	DESCRIPTION	Q'TY						I R	
				(A)	(B)	(C)	(D)	(E)	(F)		
			(C=E/# A0675)								
21	2	121250-44570	PIPE 7X300	1	1						
22	2	121250-44590	CLAMP	2	2						
23	2	124450-44590	CAP, RADIATOR	1	1						
24	2	121254-44610	SHROUD, RADIATOR	1	1						
25	2	26116-080162	BOLT M 8X 16 PLATED	4	4						
25-1	2	26106-080162	BOLT M 8X 16 PLATED	4	4						N
		(A=*1982.10) (B=*1982.10)									
26	2	22217-080000	SPRING WASHER 8	4	4						
27	2	22137-080000	WASHER 8, POLISHED	4	4						
28	1	121250-44581	SCREEN, RADIATOR	1	1	1					
28-1	1	121422-44581	SCREEN, RADIATOR			1					S
		(C=E/# A0675)									
29	1	121254-44600	BRACKET, RADIATOR	1	1	1					
29-1	1	121257-44600	BRACKET			1					S
		(C=E/# A0675)									
30	1	26116-080202	BOLT M 8X 20 PLATED	1	1	1					
30-1	1	26106-080202	BOLT M 8X 20 PLATED	1	1	1					N
		(A=*1982.10) (B=*1982.10) (C=*1982.10)									
31	1	22217-080000	SPRING WASHER 8	1	1	1					
32	1	22137-080000	WASHER 8, POLISHED	1	1	1					Z
		(A=*1982.10) (B=*1982.10) (C=*1982.10)									
33	1	124450-44610	LOCK NUT	1	1	1					
34	1	121250-44740	FAN, COOLING	1	1	1					
34-1	1	121422-44740	FAN, COOLING			1					S
		(C=E/# A0675)									
35	1	26116-060122	BOLT M 6X 12	4	4	4					
35-1	1	26014-060162	BOLT M 6X 16	4	4	4					N
		(A=*1983.01) (B=*1983.01) (C=*1983.01)									
35-2	1	26116-060252	BOLT M 6X 25			4					S
		(C=E/# A0675)									
36	1	26116-080122	BOLT M 8X 12 PLATED	4	4	4					
36-1	1	26106-080122	BOLT M 8X 12 PLATED	4	4	4					N
		(A=*1982.10) (B=*1982.10) (C=*1982.10)									
37	1	124450-44510	SUB-TANK ASSY	1	1	1					
37-1	1	121252-44510	TANK ASSY, RESERVOIR			1					N
		(C=*1980.01)									
38	2	124450-44530	CAP	1	1	1					
38-1	2	121450-44530	CAP, RESERVOIR TANK			1					S
		(C=*1980.01)									
39	2	23061-070230	PIPE 7X 230	1	1	1					
40	2	124450-44560	CLAMP	1	1	1					
41	1	121250-44540	BRACKET, SUB-TANK	1	1	1					
41-1	1	121120-44540	BRACKET, RESERVOIR	1	1	1					R
		(A=*1983.01) (B=*1983.01) (C=*1983.01)									
42	1	26557-080102	SCREW M 8X 10	2	2	2					
43	1	22137-080000	WASHER 8, POLISHED	2	2	2					
44	1	124450-44550	CLAMP, SUB-TANK	1	1	1					
45	2	194151-61170	FELT	1							Z
		(A=*)									
46	1	26557-060122	SCREW M 6X 12,PAN HD	2	2	2					

N:Old ↔ New, Q:Old ↔ New, R:Old ↔ New, S:Old ↔ New, W:Add, Z:Discontinued, F:Set Change, K:Q'ty Change  
 ++ CONTINUE ++  
 (C)Copy Rights YANMAR CO.,LTD and YANMAR AGRICULTURAL EQUIPMENT CO.,LTD.

Fig.10. COOLING WATER SYSTEM

Fig. 10 COOLING WATER SYSTEM



Y00T2341 10. COOLING WATER SYSTEM

(A)=3T84A  
(B)=3T84A-LP  
(C)=3T84A-LPP

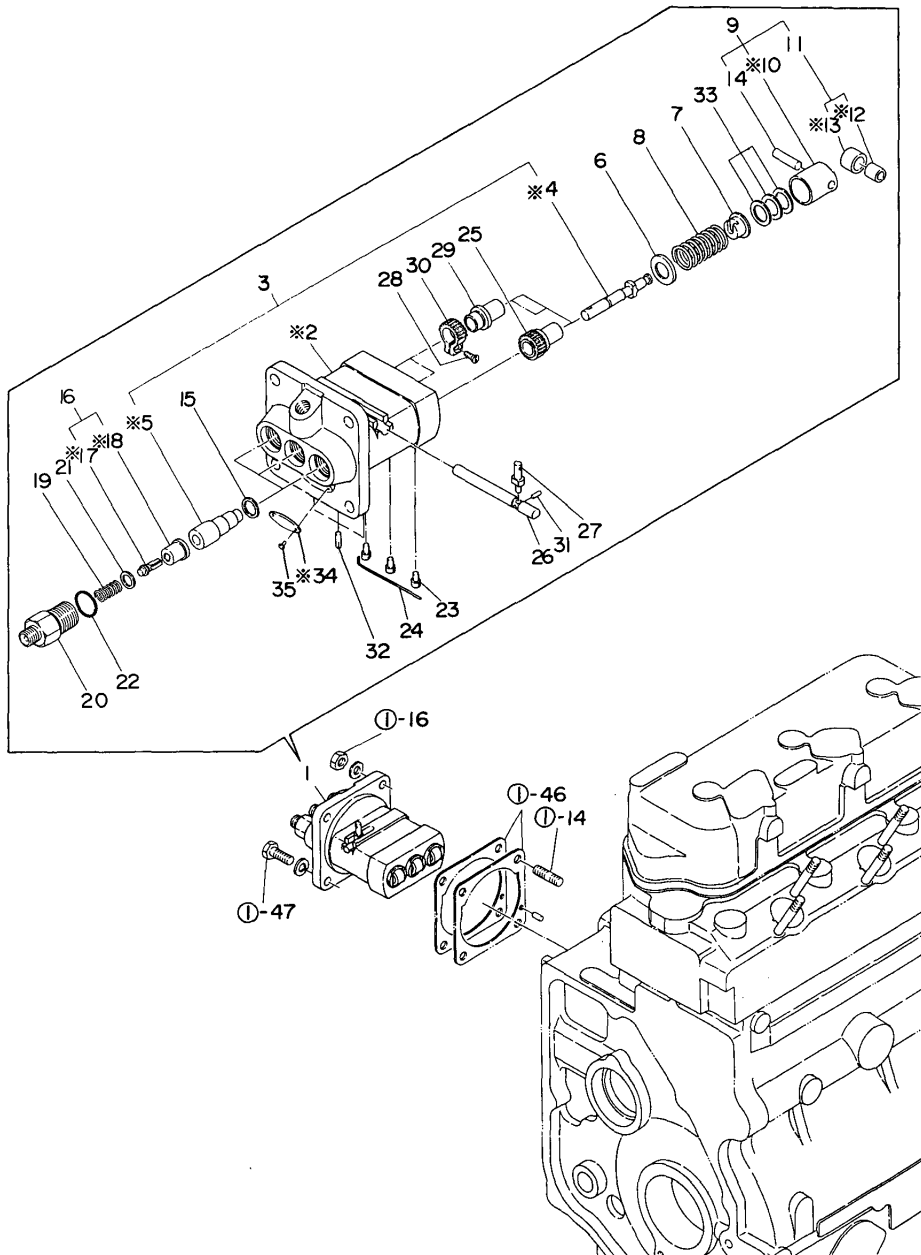
(D)=  
(E)=  
(F)=

REF.	LEV.	PARTS NO.	DESCRIPTION	Q'TY						I	R
				(A)	(B)	(C)	(D)	(E)	(F)		
47	1	121250-44900	SENDER, C.W. TEMP	1							
47-1	1	121250-44901	SWITCH, THERMO(110 C)	1	1	1					N
(A=*1979.12)											
48	1	23414-160000	GASKET 16, ROUND	1							
48-1	1	124465-44950	GASKET 16	1	1	1					N
(A=*1980.05)											
49	1	124764-44800	LABEL, RADIATOR	1							1
49A	1	124740-44800	LABEL, RADIATOR		1						2
49B	1	124742-44800	LABEL (PORTUGAL			1					3
50	1	124764-44810	LABEL, RESERVE TANK	1							1
50A	1	124740-44810	LABEL, SUB-TANK		1						2
50B	1	124742-44810	LABEL (PORTUGAL			1					3
51	1	124764-44920	LABEL, ANTI-FREEZING	1							1
51A	1	124740-44920	LABEL, ANTI-FREEZING		1						2
51B	1	124742-44920	LABEL (PORTUGAL			1					3
52	1	121254-49010	PIPE, COOLING WATER	1	1	1					
52-1	1	121257-49010	PIPE (A), C. WATER			1					S
(C=E/# A0675)											
53	1	121254-49020	PIPE, COOLING WATER	1	1	1					
53-1	1	121150-49020	PIPE (B), C. WATER	1	1	1					R
(A=*1981.09) (B=*1981.09) (C=*1981.09)											
53-2	1	121257-49021	PIPE, C.W.	1	1						S
(A=E/# 97529) (B=E/# 97529)											
53-3	1	121257-49022	PIPE (B), C. WATER			1					S
(C=E/# A0675)											
54	1	121250-49030	PIPE, COOLING WATER	1	1	1					
55	1	23010-038000	CLAMP 38	6	6	6					
55-1	1	121267-49500	CLAMP 38	6	6	6					N
(A=*1982.09) (B=*1982.09) (C=*1982.09)											
56	1	121250-49101	BODY, 3-WAY COCK	1	1	1					
57	1	121250-49110	JOINT, PIPE	1	1	1					
58	1	124450-01980	GASKET	1	1	1					
59	1	121250-49121	PLUG	1	1	1					
60	1	24311-000160	O-RING 1A P-16.0	1	1	1					
61	1	26776-160002	LOCK NUT M16 PLATED	1	1	1					
62	1	22117-160000	WASHER 16	1	1	1					
63	1	121250-49160	PIPE, WATER DRAIN	2	2	2					
63-1	1	121250-49160	PIPE, WATER DRAIN	1	1	1					K
(A=*1980.01) (B=*1980.01) (C=*1980.01)											
63A	1	121250-49150	PIPE, WATER DRAIN	1	1	1					W
(A=*1980.01) (B=*1980.01) (C=*1980.01)											
64	1	124766-59050	CLAMP 12	4	4	4					

N:Old ↔ New, Q:Old ↔ New, R:Old ↔ New, S:Old ↔ New, W:Add, Z:Discontinued, F:Set Change, K:Q'ty Change  
(C)Copy Rights YANMAR CO.,LTD and YANMAR AGRICULTURAL EQUIPMENT CO.,LTD.

Fig.11. FUEL INJECTION PUMP

Fig. 11 FUEL INJECTION PUMP



(A)=3T84A  
(B)=3T84A-LP  
(C)=3T84A-LPP

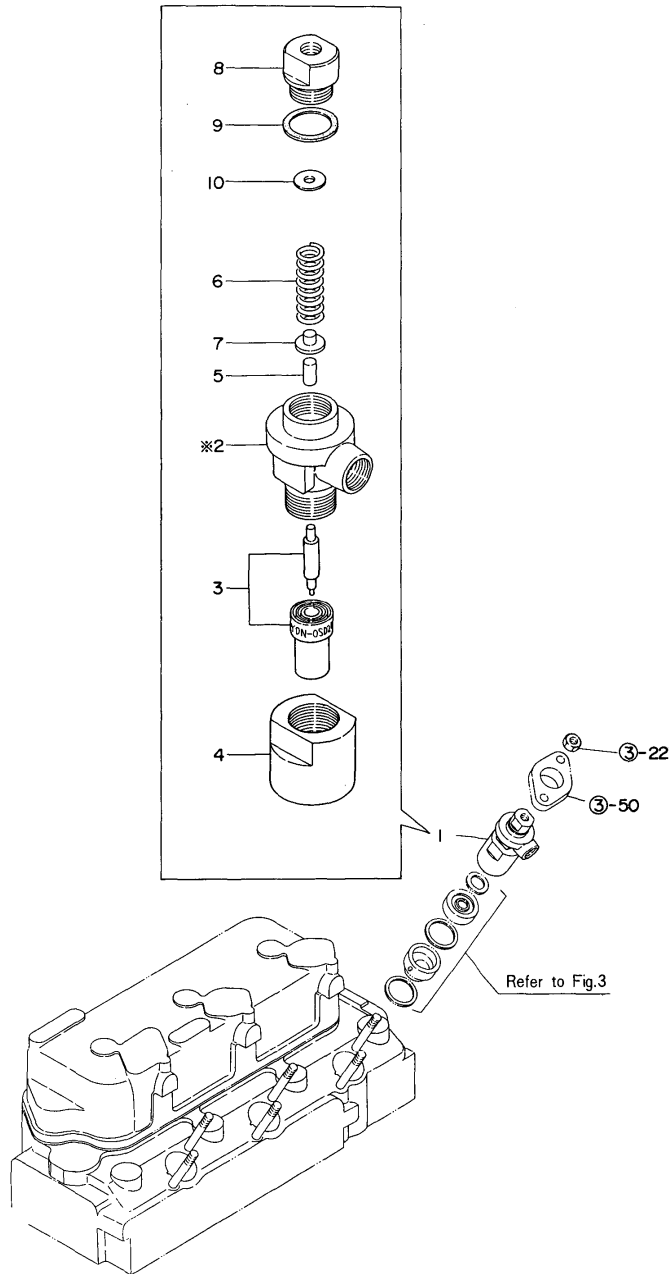
(D)=  
(E)=  
(F)=

REF.	LEV.	PARTS NO.	DESCRIPTION	Q'TY						I	R
				(A)	(B)	(C)	(D)	(E)	(F)		
1	1	721250-51700	PUMP ASSY, F.INJECT.	1	1	1					
3	2	124240-51100	PLUNGER W/BARREL	3	3	3					
6	2	174307-51170	RETAINER A	3	3	3					
7	2	174307-51181	RETAINER B	3	3	3					
8	2	174307-51190	SPRING, PLUNGER	3	3	3					
9	2	724550-51520	GUIDE ASSY, PLUNGER	3	3	3					
11	3	711100-51540	ROLLER ASSY	3	3	3					
14	3	174100-54120	PIN, ROLLER	3	3	3					
15	2	174307-51270	GASKET	3	3	3					
16	2	124550-51301	VALVE W/SEAT, DELIV.	3	3	3					
19	2	124550-51320	SPRING, DELIV. VALVE	3	3	3					
20	2	124550-51341	RETAINER	3	3	3					
21	2	124550-51350	GASKET, DELIVERY	3	3	3					
22	2	124550-51370	O-RING, DELIVERY	3	3	3					
23	2	174307-51450	PIECE, GUIDE	3	3	3					
24	2	121150-51460	PIN	1	1	1					
25	2	174307-51510	PINION	1	1	1					
26	2	721150-51530	RACK W/PIN, CONTROL	1	1	1					
26-1	2	121150-51500	RACK, CONTROL	1	1	1					R
		(A=FROM 1ST) (B=FROM 1ST) (C=FROM 1ST)									
27	2	124240-51550	PIN	1	1	1					
28	2	122117-51560	SCREW, PINION	2	2	2					
29	2	174307-51550	RETAINER,PINION	2	2	2					
30	2	174307-51560	PINION	2	2	2					
31	2	124550-51590	LOCKER	1	1	1					
32	2	124950-51670	PIN	3	3	3					
33	2	174307-51700	SHIM SET	3	3	3					
35	2	124220-51890	RIVET, LABEL	2	2	2					

\*-MARK PARTS: NOT SOLD SEPARATELY.

Fig.12. FUEL INJECTION VALVE

Fig. 12 FUEL INJECTION VALVE



(A)=3T84A  
(B)=3T84A-LP  
(C)=3T84A-LPP

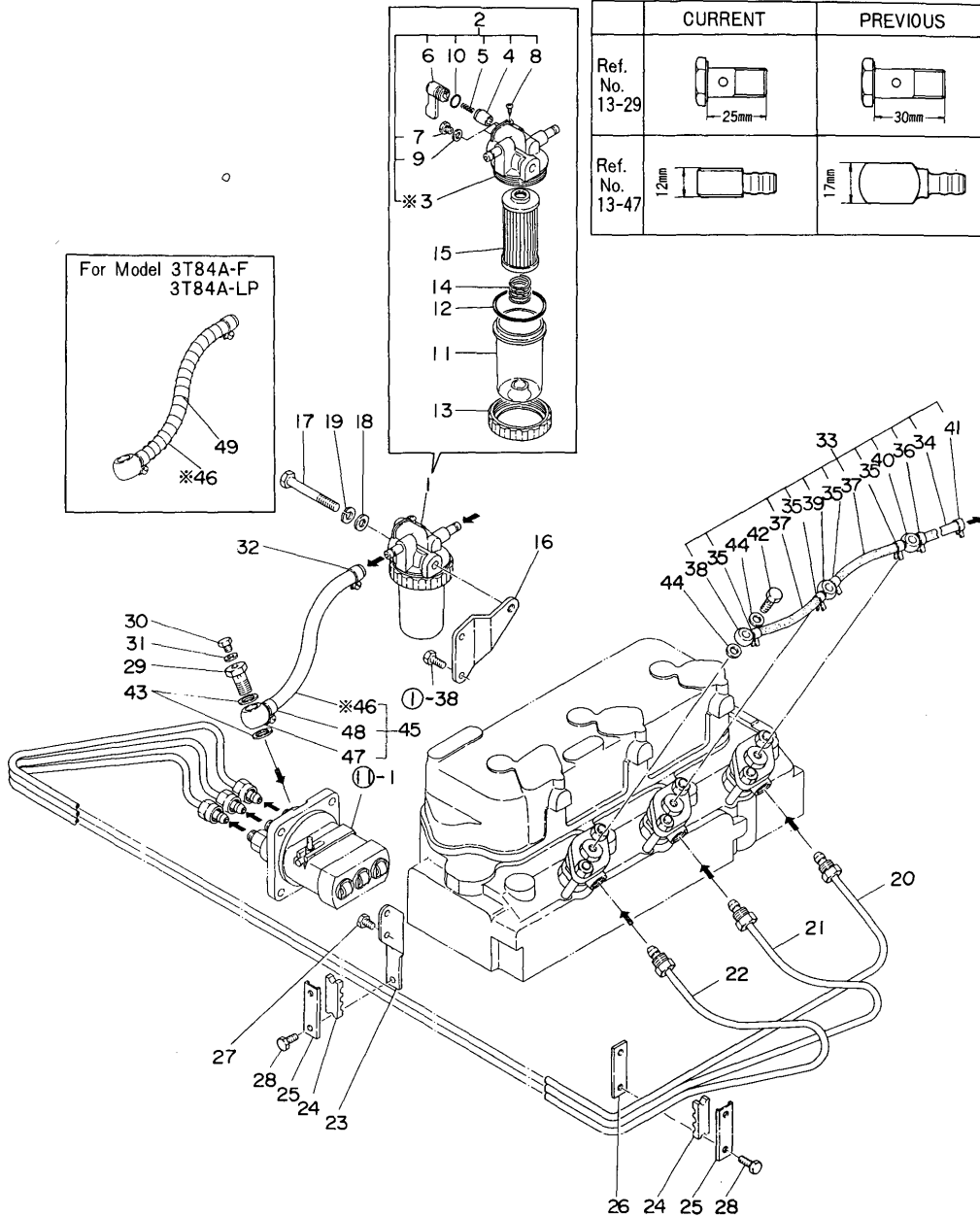
(D)=  
(E)=  
(F)=

REF.	LEV.	PARTS NO.	DESCRIPTION	Q'TY						I	R
				(A)	(B)	(C)	(D)	(E)	(F)		
1	1	724770-53100	VALVE ASSY, F.INJECT	3	3	3					
3	2	124770-53000	NOZZLE ASSY,F.INJECT	3	3	3					
4	2	104900-53080	HOLDER, VALVE W/CASE	3	3	3					
5	2	113200-53110	SPINDLE, INTER	3	3	3					
6	2	103854-53120	SPRING, NOZZLE	3	3	3					
7	2	113200-53120	SHOE, SPRING	3	3	3					
8	2	103854-53180	RETAINER, NOZ.SPRING	3	3	3					
9	2	172100-53200	GASKET	3	3	3					
10	2	110250-53150	SHIM SET	3	3	3					



Fig.13. FUEL OIL SYSTEM

Fig. 13 FUEL OIL SYSTEM



(A)=3T84A  
(B)=3T84A-LP  
(C)=3T84A-LPP

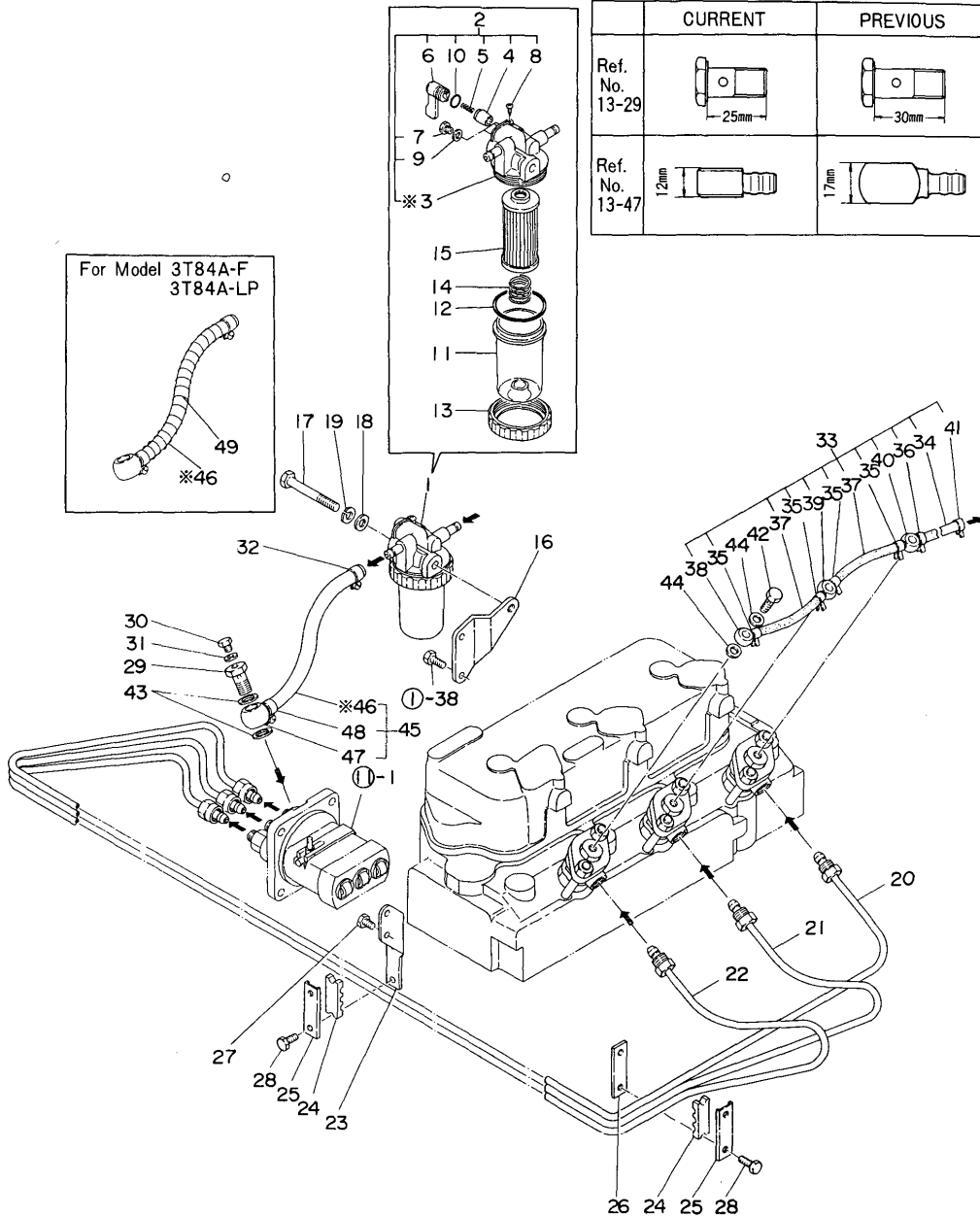
(D)=  
(E)=  
(F)=

REF.	LEV.	PARTS NO.	DESCRIPTION	Q'TY						I R
				(A)	(B)	(C)	(D)	(E)	(F)	
1	1	121250-55600	STRAINER ASSY, FUEL	1						
1-1	1	121254-55600 (A=*1980.07)	STRAINER ASSY, FUEL	1	1	1				N
2	2	721250-55540	COCK ASSY, FUEL	1	1	1				
4	3	104200-55321	VALVE, TAPER	1	1	1				
5	3	104200-55330	SPRING, TAPER VALVE	1	1	1				
6	3	104200-55341	HANDLE, COCK	1	1	1				
7	3	101720-55750	PLUG 6	2	2	2				
8	3	104200-55750	SCREW M 4	1	1	1				
9	3	23418-060000	GASKET 6, NYLON	2	2	2				
10	3	24311-240100	O-RING 1A P-10A	1	1	1				
11	2	121254-55510	CUP, STRAINER	1	1	1				
12	2	102103-55520	O-RING	1	1	1				
13	2	110250-55610	RING, RETAINING	1	1	1				
14	2	121250-55620	SPRING	1	1	1				
15	2	124550-55710	STRAINER, FUEL	1						
15-1	2	124550-55700 (A=*1980.01)	ELEMENT, FUEL	1	1	1				S
16	1	121250-55610	BRACKET, STRAINER	1	1	1				
17	1	26116-080652	BOLT M 8X 65 PLATED	1	1	1				
17-1	1	26106-080652 (A=*1982.10) (B=*1982.10) (C=*1982.10)	BOLT M 8X 65 PLATED	1	1	1				N
18	1	22117-080000 (A=*1982.10) (B=*1982.10) (C=*1982.10)	WASHER 8	1	1	1				Z
19	1	22217-080000 (A=*1982.10) (B=*1982.10) (C=*1982.10)	SPRING WASHER 8	1	1	1				Z
20	1	121250-59810	PIPE (1), F. INJECT.	1	1	1				
21	1	121250-59820	PIPE (2), F. INJECT.	1	1	1				
22	1	121250-59830	PIPE (3), F. INJECT.	1	1	1				
23	1	121250-59850	BRACKET (A)	1	1	1				
24	1	123325-59100	RETAINER	2	2	2				
25	1	123325-59110	COVER	2	2	2				
26	1	121250-59860	RETAINER (B)	1	1	1				
27	1	26116-060102	BOLT M 6X 10 PLATED	2	2	2				
27-1	1	26106-060102 (A=*1983.01) (B=*1983.01) (C=*1983.01)	BOLT M 6X 10 PLATED	2	2	2				N
28	1	26116-060162	BOLT M 6X 16 PLATED	4	4	4				
28-1	1	121465-59950 (A=*1983.01) (B=*1983.01) (C=*1983.01)	BOLT M 6X 16, PLATED	4	4	4				N
29	1	124060-59391	BOLT, JOINT	1						
29-1	1	103854-59201 (A=*1981.07)	BOLT, JOINT	1	1	1				S
30	1	124060-59380	PLUG	1	1	1				
31	1	43400-500390	SEAL WASHER 6	1	1	1				
32	1	124766-59050	CLAMP 12	1	1	1				
33	1	121250-59500	PIPE, FUEL RETURN	1						
33-1	1	121250-59501 (A=E/# 80035)	PIPE, FUEL RETURN	1	1	1				N
34	2	121250-59560	PIPE, FUEL RETURN	1						
34-1	2	121250-59561 (A=E/# 80035)	PIPE, FUEL RETURN	1	1	1				N

N:Old ↔ New, Q:Old ↔ New, R:Old ↔ New, S:Old ↔ New, W:Add, Z:Discontinued, F:Set Change, K:Q'ty Change  
++ CONTINUE ++  
(C)Copy Rights YANMAR CO.,LTD and YANMAR AGRICULTURAL EQUIPMENT CO.,LTD.

Fig.13. FUEL OIL SYSTEM

Fig. 13 FUEL OIL SYSTEM



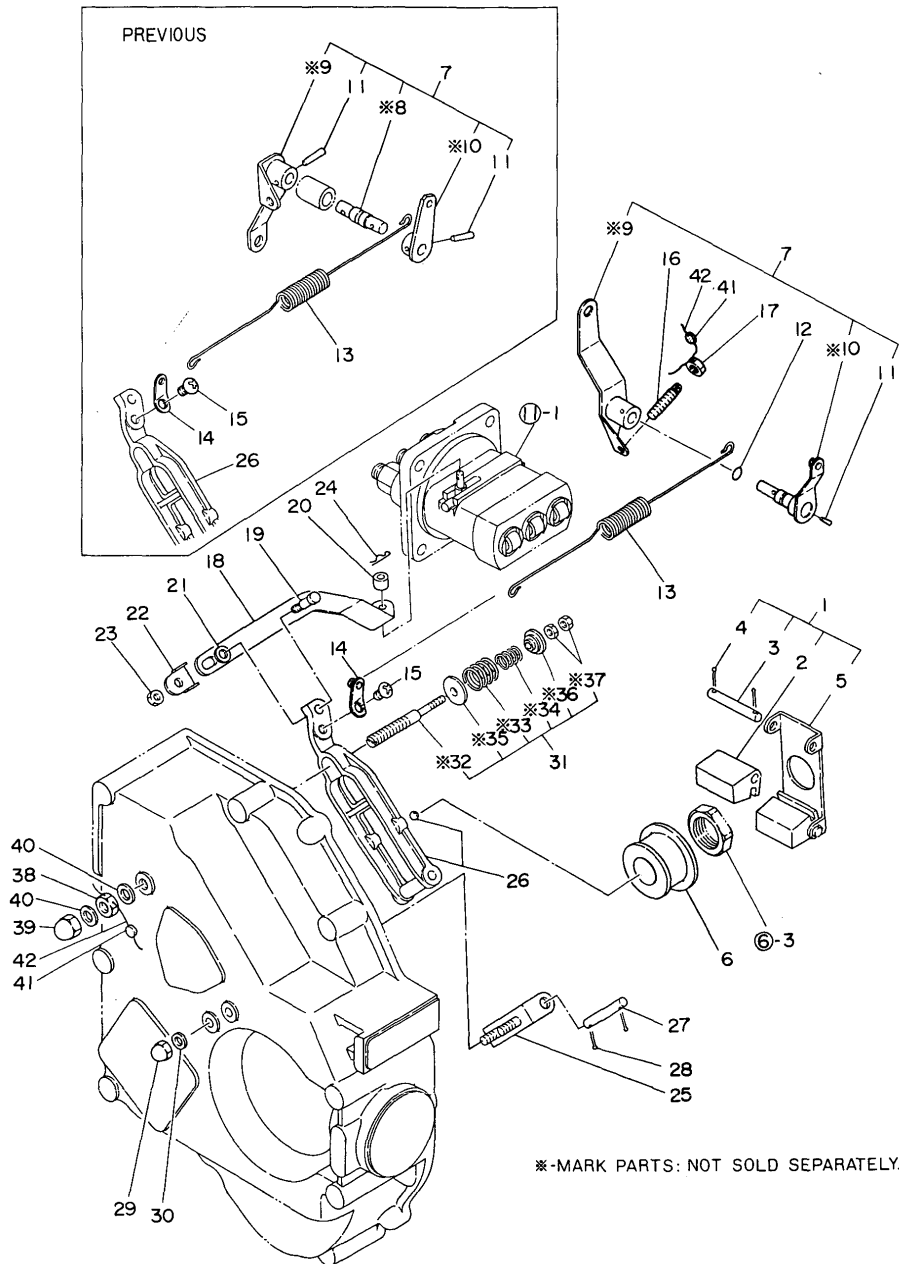
(A)=3T84A  
(B)=3T84A-LP  
(C)=3T84A-LPP

(D)=  
(E)=  
(F)=

REF.	LEV.	PARTS NO.	DESCRIPTION	Q'TY						I	R
				(A)	(B)	(C)	(D)	(E)	(F)		
35	2	124066-59100	CLAMP 8	4	4	4					
36	2	124066-59100	CLAMP 8	1							
36-1	2	124060-77680	CLAMP 10	1	1	1					S
(A=E/# 80035)											
37	2	121250-59550	PIPE, FUEL	2	2	2					
38	2	124550-59030	JOINT 8, PIPE	1	1	1					
39	2	124550-59090	JOINT, PIPE	1	1	1					
40	2	124550-59090	JOINT, PIPE	1							
40-1	2	121750-59090	JOINT 8, PIPE	1	1	1					S
(A=E/# 80035)											
41	2	124060-77680	CLAMP 10	1	1	1					W
(A=E/# 80035) (B=FROM 1ST) (C=FROM 1ST)											
42	1	101147-59810	BOLT, PIPE JOINT	3	3	3					
43	1	104200-59170	GASKET 12	2	2	2					
44	1	23414-080012	GASKET 8	6	6	6					
45	1	121250-59010	PIPE ASSY, FUEL OIL	1							
45-1	1	121250-59011	PIPE ASSY, FUEL OIL	1							S
(A=*1981.07)											
45A	1	129354-59011	PIPE ASSY, FUEL		1	1					
47	2	124250-59260	JOINT, PIPE	1							
47-1	2	101304-59020	JOINT 12, PIPE	1	1	1					S
(A=*1981.07)											
48	2	124766-59050	CLAMP 12	1	1	1					
49	2	106100-59060	SPRING, PIPE PROTECT		1	1					

Fig.14. GOVERNOR EQUIPMENT

Fig. 14 GOVERNOR EQUIPMENT



(A)=3T84A  
(B)=3T84A-LP  
(C)=3T84A-LPP

(D)=  
(E)=  
(F)=

REF.	LEV.	PARTS NO.	DESCRIPTION	Q'TY						I	R
				(A)	(B)	(C)	(D)	(E)	(F)		
1	1	724450-61520	SUPPORT ASSY, GOV.	1	1	1					
2	2	124450-61200	WEIGHT, GOVERNOR	2	2	2					
3	2	124450-61220	PIN, GOVERNOR WEIGHT	2	2	2					
4	2	22417-200200	COTTER PIN 2.0X20	4	4	4					
4-1	1	22417-200100	COTTER PIN 2.0X10	4	4	4					R
		(A=*) (B=*) (C=*)									
5	2	124450-61110	SUPPORT, GOV. WEIGHT	1	1	1					
6	1	121250-61600	SLEEVE, GOVERNOR	1	1	1					
7	1	724450-66530	HANDLE ASSY, REGULAT	1	1	1					
7-1	1	121258-66000	HANDLE ASSY, REGULAT	1	1	1					N
		(A=*1980.06) (B=*1980.06) (C=*1980.06)									
7-2	1	121120-66000	HANDLE ASSY, REGULAT	1	1	1					N
		(A=*1980.09) (B=*1980.09) (C=*1980.09)									
11	2	22322-030180	TAPER PIN 3X18	2	2	2					
11-1	2	22322-030180	TAPER PIN 3X18	1	1	1					K
		(A=*1981.09) (B=*1981.09) (C=*1981.09)									
12	1	24311-000070	O-RING 1A P-7.0	1	1	1					
13	1	121250-66010	SPRING, REGULATOR	1	1	1					
13-1	1	121258-66010	SPRING, REGULATOR	1	1	1					N
		(A=*) (B=*) (C=*)									
13-2	1	121258-66011	SPRING, REGULATOR	1	1	1					N
		(A=*1980.09) (B=*1980.09) (C=*1980.09)									
14	1	124450-66460	BRACKET, SPRING	1	1	1					
14-1	1	121120-66100	HOOK ASSY	1	1	1					N
		(A=*1980.09) (B=*1980.09) (C=*1980.09)									
15	1	26557-060082	SCREW M 6X 8	1	1	1					
16	1	103854-66420	SCREW, ADJUST	1	1	1					
17	1	124450-66370	NUT	1	1	1					
17-1	1	124550-66370	LOCK NUT M 6	1	1	1					N
		(A=*1981.10) (B=*1981.10) (C=*1981.10)									
18	1	121250-66400	LINK, GOVERNOR	1	1	1					
19	1	124450-66411	SCREW	1	1	1					
20	1	124450-66420	CLAMP	1	1	1					
21	1	124450-66430	SPACER	1	1	1					
22	1	124460-66440	WASHER	1	1	1					
23	1	26756-050002	LOCK NUT M 5 PLATED	1	1	1					
24	1	22360-060000	SNAP PIN 6	1	1	1					
25	1	124450-66510	SUPPORT, GOVERNOR	1	1	1					
26	1	124460-66611	LEVER ASSY, GOV.	1	1	1					
27	1	124450-66550	PIN, GOV. LEVER	1	1	1					
28	1	22417-200200	COTTER PIN 2.0X20	2	2	2					
28-1	1	22417-200100	COTTER PIN 2.0X10	2	2	2					R
		(A=*) (B=*) (C=*)									
29	1	26657-060002	CAP NUT M 6	2	2	2					
30	1	43400-500400	SEAL WASHER 6	2	2	2					
31	1	121250-66801	TORQUE SPRING ASSY	1	1	1					
38	1	124772-66890	LOCK NUT	1	1	1					
39	1	26667-080002	CAP NUT M 8	1	1	1					
40	1	43400-500410	SEAL WASHER 8	2	2	2					
41	1	135210-61090	LEAD	2	2	2					
42	1	22451-100000	WIRE 1.0	2	2	2					

\*-MARK PARTS: NOT SOLD SEPARATELY.

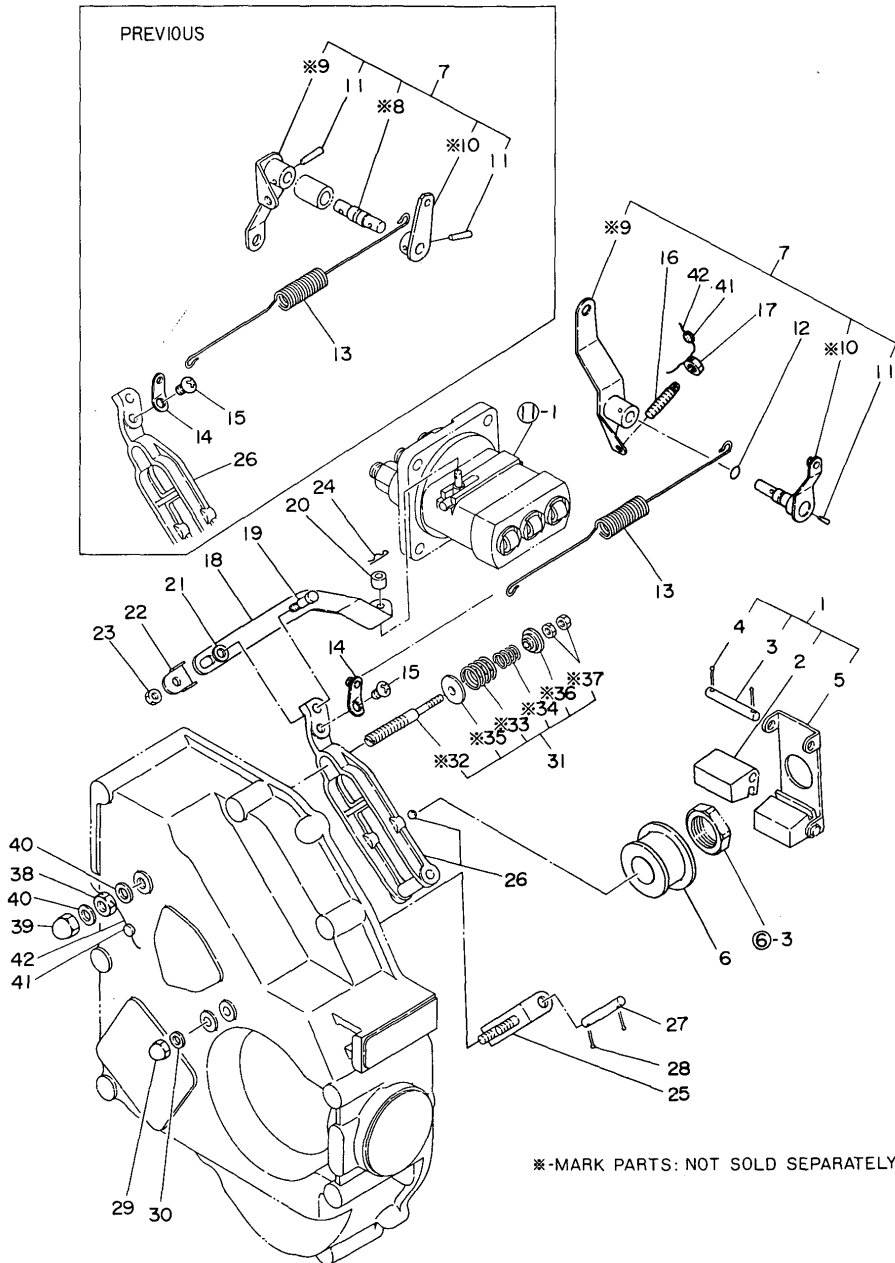
Fig.14. GOVERNOR EQUIPMENT

(A)=3T84A  
(B)=3T84A-LP  
(C)=3T84A-LPP

(D)=  
(E)=  
(F)=

Fig. 14 GOVERNOR EQUIPMENT

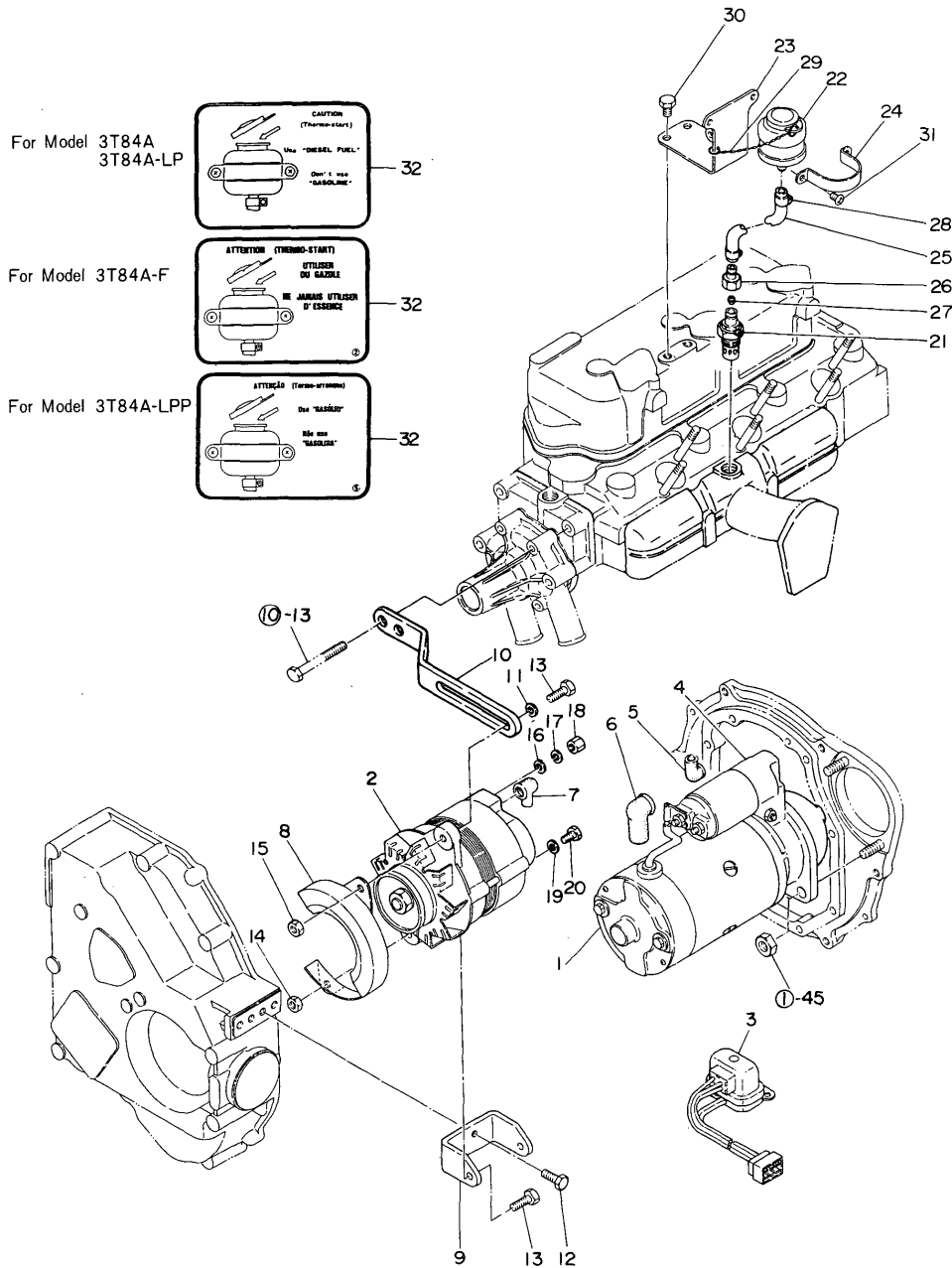
REF.	LEV.	PARTS NO.	DESCRIPTION	Q'TY						I	R
				(A)	(B)	(C)	(D)	(E)	(F)		
42-1	1	22451-060000	WIRE 0.6	2	2	2					R
		(A=*1981.09)	(B=*1981.09)	(C=*1981.09)							



\*-MARK PARTS: NOT SOLD SEPARATELY.

Fig.15. ELEC. STARTER & THERMO. DEVICE

Fig. 15 ELECTRIC STARTER & THERMOSTART DEVICE



(A)=3T84A  
(B)=3T84A-LP  
(C)=3T84A-LPP

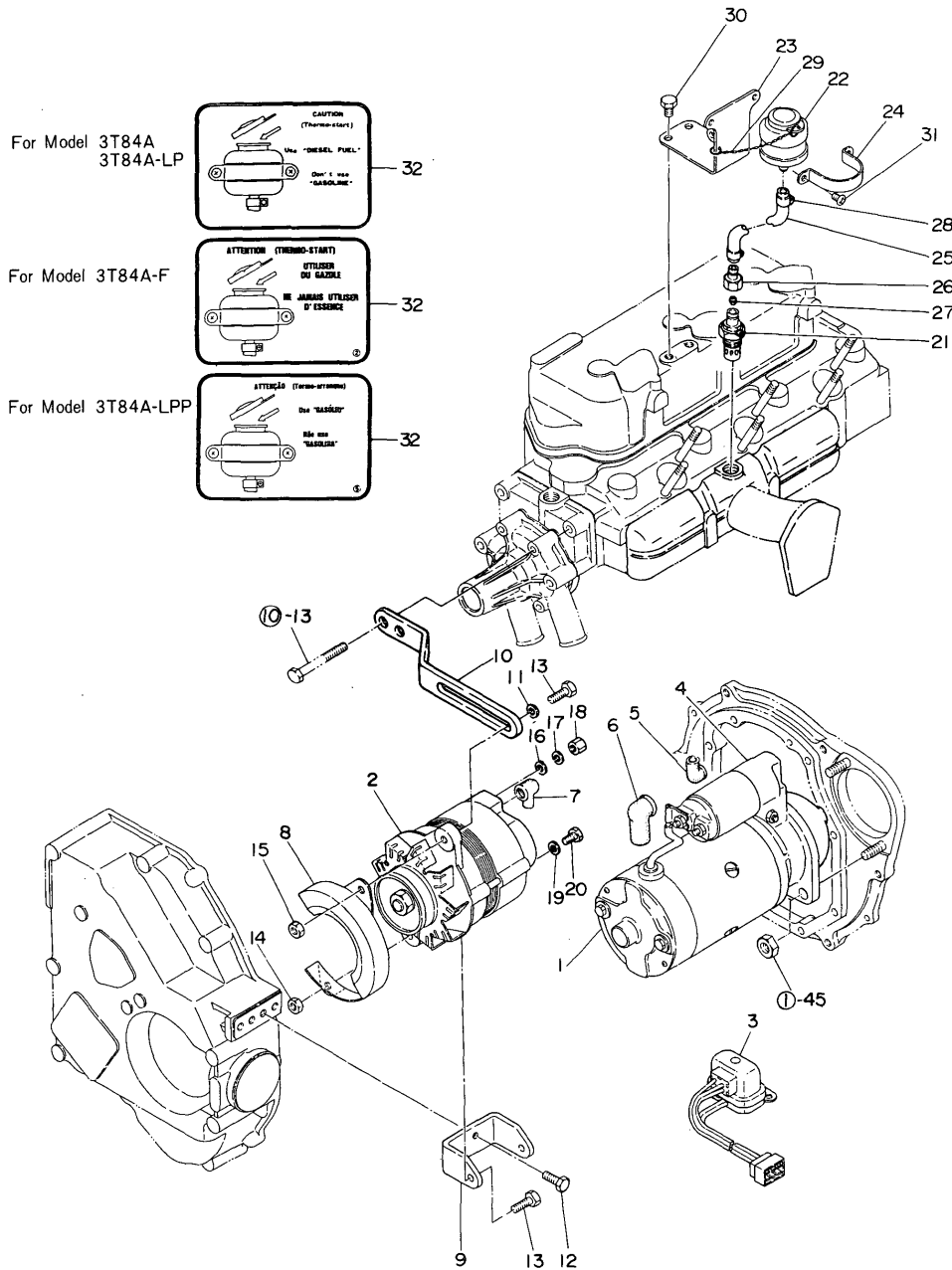
(D)=  
(E)=  
(F)=

REF.	LEV.	PARTS NO.	DESCRIPTION	Q'TY						I	R
				(A)	(B)	(C)	(D)	(E)	(F)		
1	1	124250-77011	STARTER (S12-52)	1							1
1-1	1	124250-77012	STARTER (S12-77A)	1	1	1					N 1
(A=*1979.08)											
2	1	124756-77210	GENERATOR (LT115-52)	1	1	1					
3	1	124550-77710	REGULATOR (TL1Z-86)	1	1	1					
4-1	1	124250-77310	SWITCH, MAGNETIC	1	1	1					
5	1	124550-77020	COVER, TERMINAL	1	1	1					
6	1	124550-77030	COVER, TERMINAL	1	1	1					
7	1	124756-77040	COVER, TERMINAL	1	1	1					
8	1	121250-77210	COVER, GENERATOR	1	1	1					
9	1	124550-77250	BRACKET, GENERATOR	1	1	1					
10	1	121250-77330	ADJUSTER, BELT	1	1	1					
11	1	22137-080000	WASHER 8, POLISHED	1	1	1					Z
(A=*1982.10) (B=*1982.10) (C=*1982.10)											
12	1	26116-080182	BOLT M 8X 18 PLATED	2	2	2					
12-1	1	26106-080182	BOLT M 8X 18 PLATED	2	2	2					N
(A=*1982.10) (B=*1982.10) (C=*1982.10)											
13	1	26116-080302	BOLT M 8X 30 PLATED	3	3	3					
13-1	1	26106-080302	BOLT M 8X 30 PLATED	2	2	2					N
(A=*1982.10) (B=*1982.10) (C=*1982.10)											
13A	1	26014-080352	BOLT M 8X 35	1	1	1					W
(A=*1982.10) (B=*1982.10) (C=*1982.10)											
14	1	26716-080002	NUT M 8	2	2	2					
14-1	1	26366-080002	NUT M 8	2	2	2					N
(A=*1982.10) (B=*1982.10) (C=*1982.10)											
15	1	26756-080002	LOCK NUT M 8 PLATED	1	1	1					
15-1	1	26366-080002	NUT M 8	1	1	1					N
(A=*1982.10) (B=*1982.10) (C=*1982.10)											
16	1	22117-050000	WASHER 5	1	1	1					Z
(A=*1982.10) (B=*1982.10) (C=*1982.10)											
17	1	22217-050000	SPRING WASHER 5	1	1	1					
18	1	26756-050002	LOCK NUT M 5 PLATED	1	1	1					
19	1	22217-050000	SPRING WASHER 5	1	1	1					
20	1	26116-050142	BOLT M 5X 14 PLATED	1	1	1					
21	1	124450-77910	PLUG, THERMOSTAT	1							
21-1	1	121023-77910	PLUG, THERMOSTAT	1	1	1					S 2
(A=*1979.03)											
22	1	124460-77802	TANK ASSY, HEADER	1	1	1					
23	1	121250-77812	BRACKET	1	1	1					
24	1	124460-77820	BRACKET(B), TANK	1	1	1					
25	1	121250-77700	PIPE, FUEL	1							
25-1	1	121250-77701	PIPE, FUEL	1	1	1					N 2
(A=*1979.03)											
26	1	124460-77660	JOINT	1							Z 2
(A=*1979.03)											
27	1	124450-77980	CONNECTOR	1							Z 2
(A=*1979.03)											
28	1	124060-77680	CLAMP 10	2	2	2					
29	1	101100-55060	CHAIN	1	1	1					
30	1	26557-080102	SCREW M 8X 10	2							
30-1	1	26116-080122	BOLT M 8X 12 PLATED	2	2	2					R

N:Old → New, Q:Old ↔ New, R:Old ↔ New, S:Old ↔ New, W:Add, Z:Discontinued, F:Set Change, K:Q'ty Change  
++ CONTINUE ++ (C)Copy Rights YANMAR CO.,LTD and YANMAR AGRICULTURAL EQUIPMENT CO.,LTD.

Fig.15. ELEC. STARTER & THERMO. DEVICE

Fig. 15 ELECTRIC STARTER & THERMOSTART DEVICE



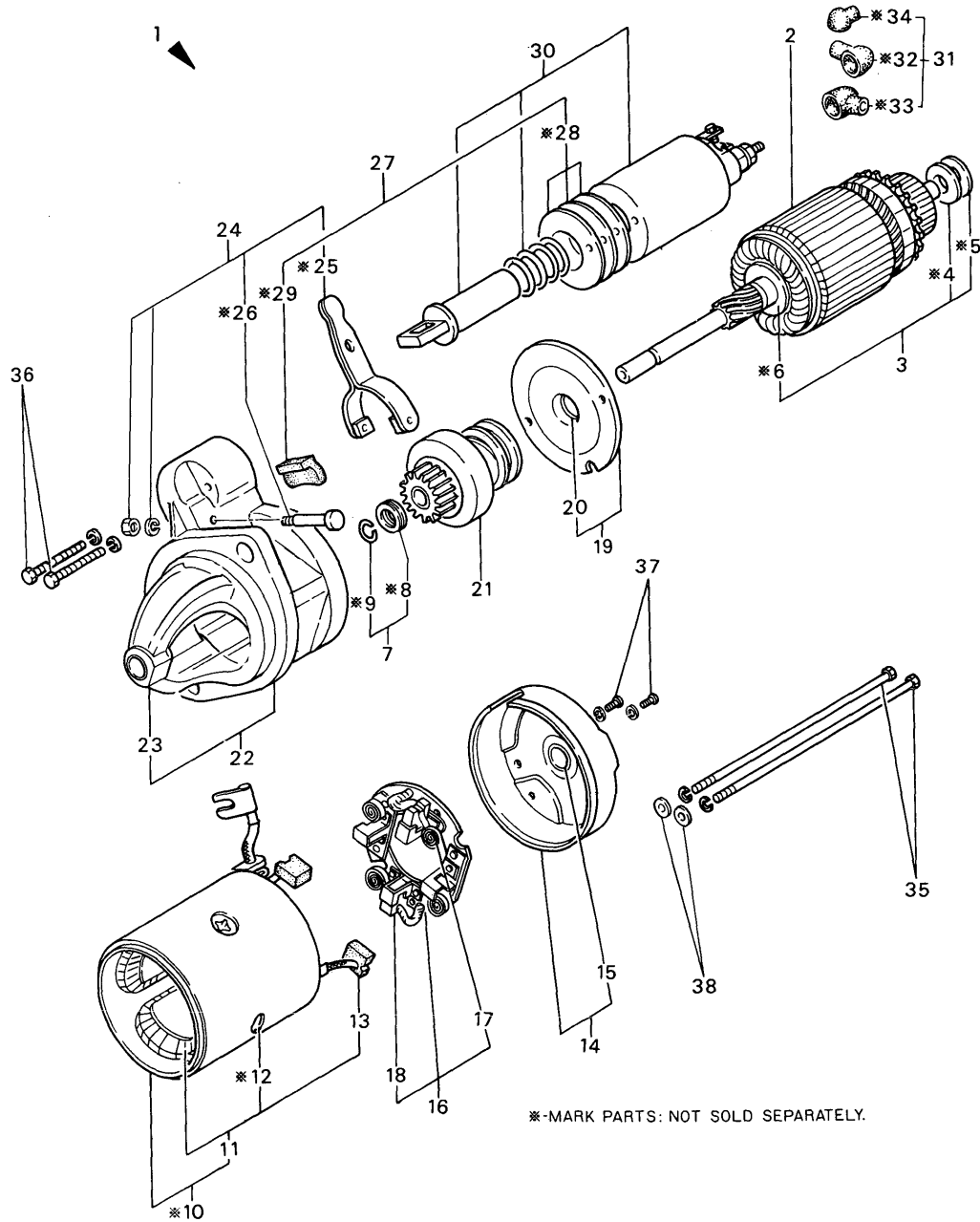
(A)=3T84A  
(B)=3T84A-LP  
(C)=3T84A-LPP

(D)=  
(E)=  
(F)=

REF.	LEV.	PARTS NO.	DESCRIPTION	Q'TY						I	R
				(A)	(B)	(C)	(D)	(E)	(F)		
30-2	1	26106-080122	BOLT M 8X 12 PLATED	2	2	2					N
		(A=*1982.10)	(B=*1982.10)	(C=*1982.10)							
31	1	26557-060082	SCREW M 6X 8	2	2	2					
32	1	124764-77980	LABEL, FUEL CAUTION	1							3
32A	1	124740-77980	LABEL, FUEL CAUTION		1						4
32B	1	124742-77980	LABEL, PORTUGAL			1					5

Fig.16. STARTER(12V-1.8KW) TYPE S12-52

Fig. 16 STARTER (12V-1.8kW) TYPE S12-52



\*-MARK PARTS: NOT SOLD SEPARATELY.

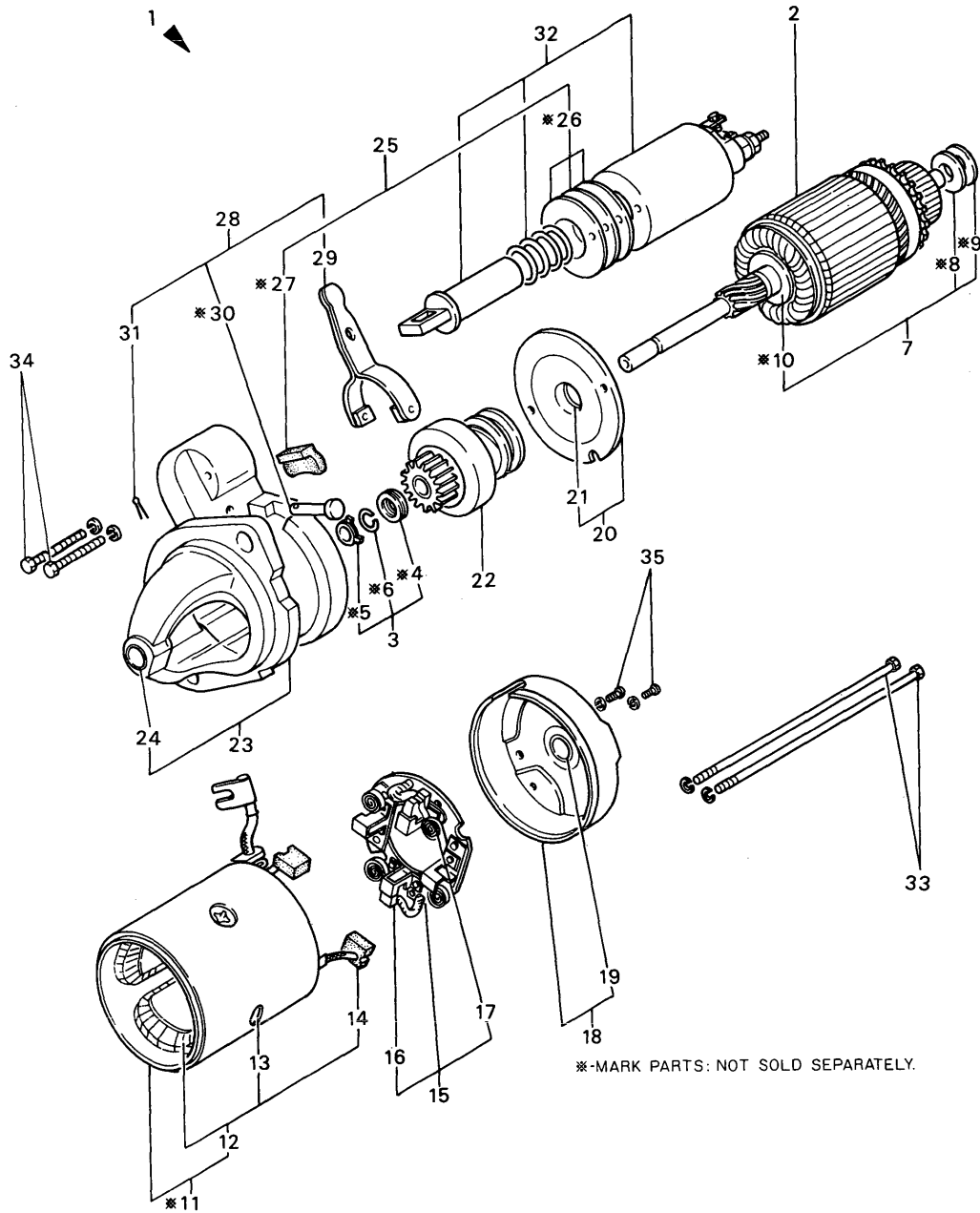
(A)=3T84A  
(B)=3T84A-LP  
(C)=3T84A-LPP

(D)=  
(E)=  
(F)=

REF.	LEV.	PARTS NO.	DESCRIPTION	Q'TY						I	R
				(A)	(B)	(C)	(D)	(E)	(F)		
1	1	124250-77011	STARTER (S12-52)	1							
2	2	X21204150	ARMATURE ASSY	1							
3	2	X21201115	WASHER SET, THRUST	1							
7	2	X22506105	STOPPER SET, PINION	1							
11	2	X21204220	COIL ASSY, FIELD	1							
13	3	X21208311	BRUSH (+)	2							
14	2	X21307300	COVER ASSY, REAR	1							
15	3	X21301310	METAL, COVER BEARING	1							
16	2	X21205305	HOLDER ASSY, BRUSH	1							
17	3	X21304313	SPRING, BRUSH	4							
18	3	X21206312	BRUSH (-)	2							
19	2	X21303400	BEARING ASSY	1							
20	3	X21204401	METAL, CENTER BERG.	1							
21	2	X212045001	PINION ASSY	1							
22	2	X212086002	CASE ASSY,GEAR	1							
23	3	X21301310	METAL, COVER BEARING	1							
24	2	X21307605	LEVER SET, SHIFT	1							
27	2	X21206610	COVER SET, DUST	1							
30	2	X21306700	SWITCH ASSY, MAGNET.	1							
31	2	X21202803	COVER SET	1							
35	2	X21206810	BOLT, THROUGH	2							
36	2	X21202815	BOLT	2							
37	2	26557-040082	SCREW M 4X 8	2							
38	2	X21301827	WASHER	2							

Fig.17. STARTER(12V-1.8KW) TYPE S12-77

Fig. 17 STARTER (12V-1.8kW) TYPE S12-77



\*-MARK PARTS: NOT SOLD SEPARATELY.

(A)=3T84A  
(B)=3T84A-LP  
(C)=3T84A-LPP

(D)=  
(E)=  
(F)=

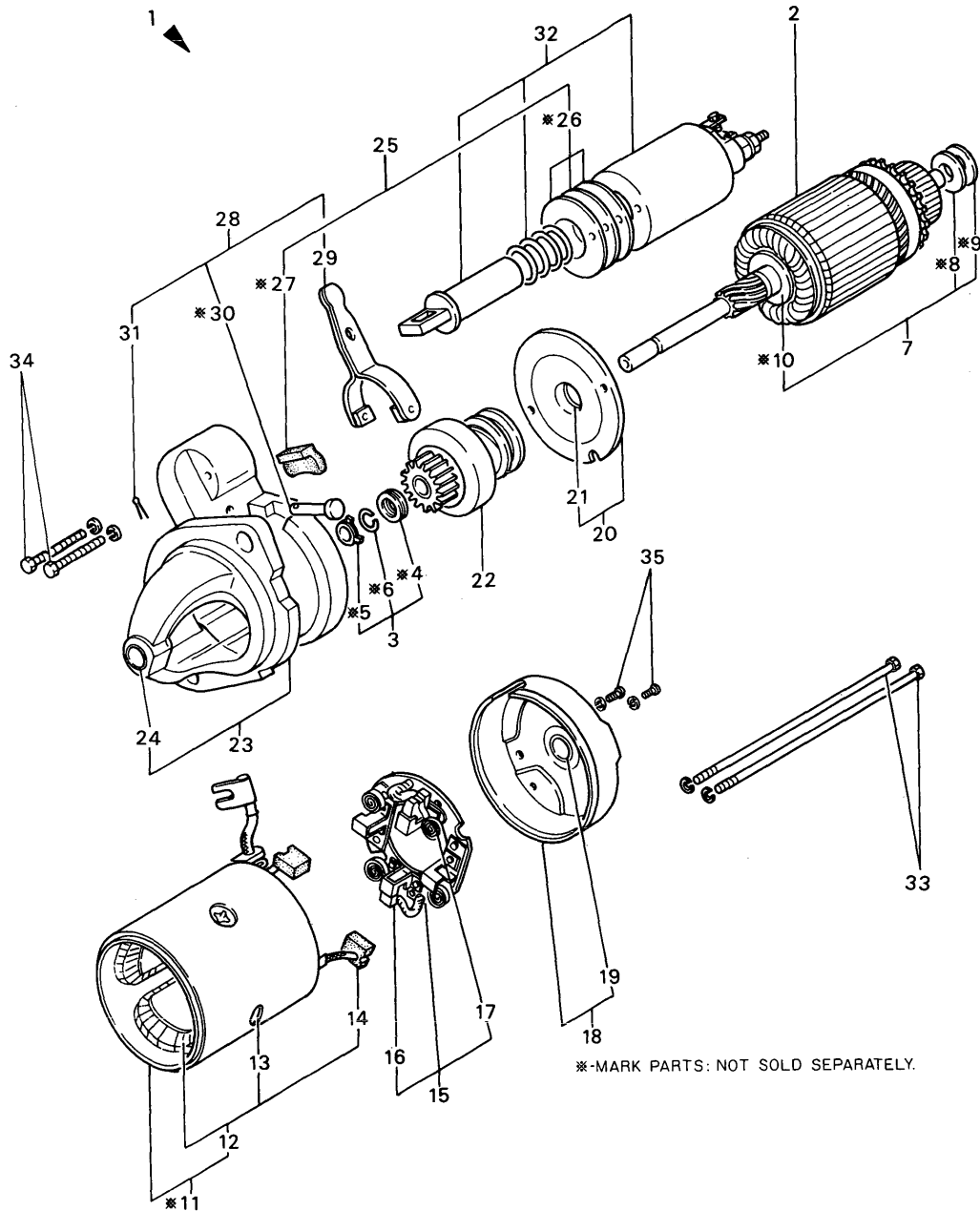
REF.	LEV.	PARTS NO.	DESCRIPTION	Q'TY						I	R
				(A)	(B)	(C)	(D)	(E)	(F)		
1	1	124250-77012	STARTER (S12-77A)	1	1	1					
2	2	X21207100	ARMATURE ASSY	1	1	1					
2-1	2	124250-77500	ARMATURE ASSY	1	1	1					R
		(A=*) (B=*) (C=*)									
3	2	X21201110	STOPPER SET	1	1	1					
3-1	2	124250-77070	STOPPER SET, PINION	1	1	1					R
		(A=*) (B=*) (C=*)									
7	2	X21201115	WASHER SET, THRUST	1	1	1					
7-1	2	124250-77510	WASHER KIT	1	1	1					R
		(A=*) (B=*) (C=*)									
12	3	X21204259	COIL ASSY	1	1	1					
12-1	2	124250-77110	COIL ASSY, FIELD	1	1	1					R
		(A=*) (B=*) (C=*)									
13	4	X21142215	SCREW	4	4	4					
13-1	3	124250-77120	SCREW SET, PORE CORE	4	4	4					R
		(A=*) (B=*) (C=*)									
14	4	X21209311	BRUSH (+)	2	2	2					
14-1	3	124250-77130	BRUSH (+)	2	2	2					R
		(A=*) (B=*) (C=*)									
15	2	X21205310	HOLDER ASSY, BRUSH	1	1	1					
15-1	2	124250-77160	HOLDER ASSY, BRUSH	1	1	1					R
		(A=*) (B=*) (C=*)									
16	3	X21207312	BRUSH (-)	2	2	2					
16-1	3	124250-77170	BRUSH (-)	2	2	2					R
		(A=*) (B=*) (C=*)									
17	3	X21201313	SPRING, BRUSH	4	4	4					
17-1	3	124250-77180	SPRING, BRUSH	4	4	4					R
		(A=*) (B=*) (C=*)									
18	2	X22501300	COVER ASSY, REAR	1	1	1					
18-1	2	124250-77140	COVER ASSY, REAR	1	1	1					R
		(A=*) (B=*) (C=*)									
19	3	X21204302	METAL, COVER BEARING	1	1	1					
19-1	3	124250-77150	METAL, REAR COVER	1	1	1					R
		(A=*) (B=*) (C=*)									
20	2	X21205400	BEARING ASSY	1	1	1					
20-1	2	124250-77190	BEARING ASSY, CENTER	1	1	1					R
		(A=*) (B=*) (C=*)									
21	3	X21204401	METAL, CENTER BERG.	1	1	1					
21-1	3	124250-77520	BEARING	1	1	1					R
		(A=*) (B=*) (C=*)									
22	2	X212045001	PINION ASSY	1	1	1					
22-1	2	124250-77210	PINION ASSY	1	1	1					R
		(A=*) (B=*) (C=*)									
23	2	X21205650	CASE ASSY, GEAR	1	1	1					
23-1	2	124250-77220	CASE ASSY, GEAR	1	1	1					R
		(A=*) (B=*) (C=*)									
24	3	X21202601	METAL, GEAR CASE	1	1	1					
24-1	3	124250-77230	METAL, GEAR CASE	1	1	1					R
		(A=*) (B=*) (C=*)									
25	2	X21202602	COVER SET	1	1	1					
25-1	2	124250-77240	COVER SET, DUST	1	1	1					R

N:Old ↔ New, Q:Old ↔ New, R:Old ↔ New, S:Old ↔ New, W:Add, Z:Discontinued, F:Set Change, K:Q'ty Change  
 ++ CONTINUE ++  
 (C)Copy Rights YANMAR CO.,LTD and YANMAR AGRICULTURAL EQUIPMENT CO.,LTD.



Fig.17. STARTER(12V-1.8KW) TYPE S12-77

Fig. 17 STARTER (12V-1.8kW) TYPE S12-77



(A)=3T84A  
(B)=3T84A-LP  
(C)=3T84A-LPP

(D)=  
(E)=  
(F)=

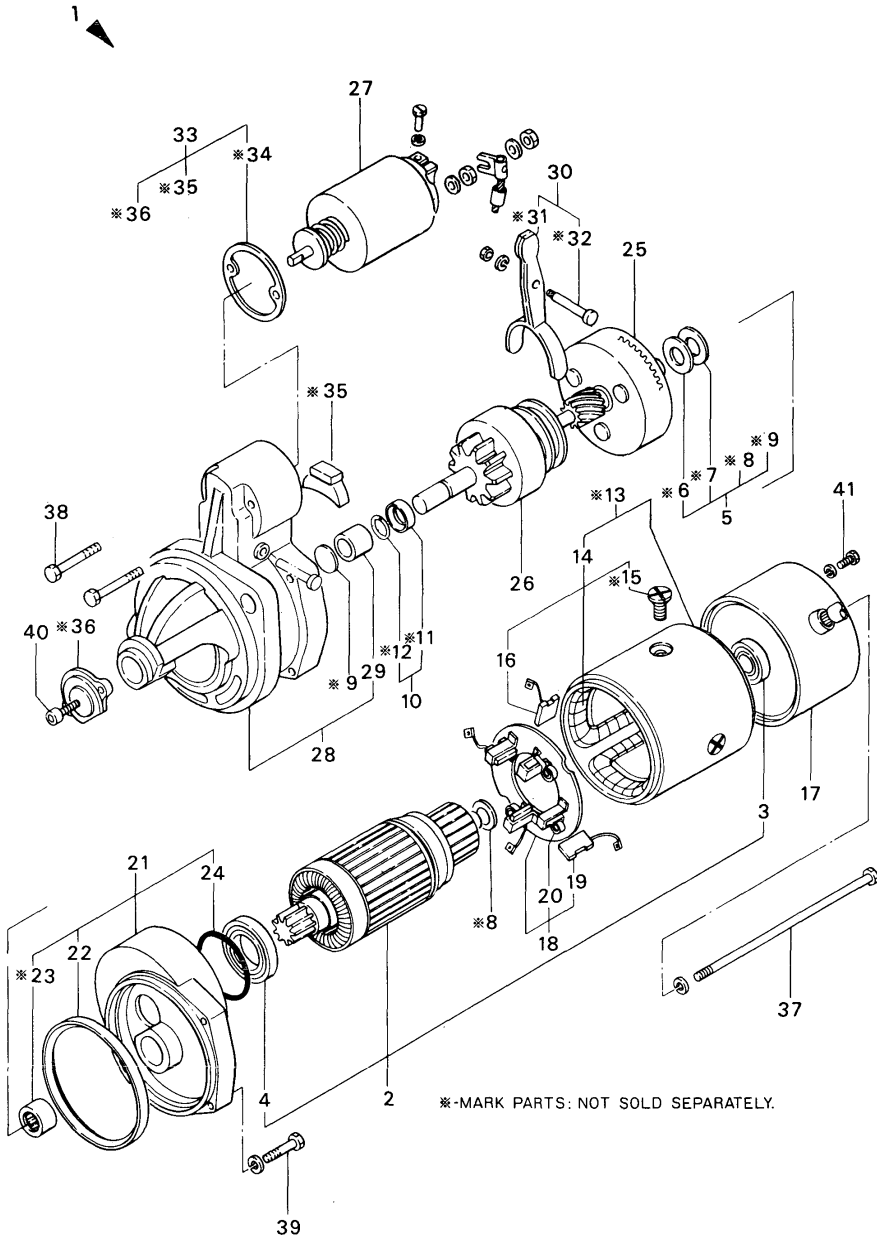
REF.	LEV.	PARTS NO.	DESCRIPTION	Q'TY						I	R	
				(A)	(B)	(C)	(D)	(E)	(F)			
				(A=*)	(B=*)	(C=*)						
28	2	X21201605	LEVER SET	1	1	1						
28-1	2	124250-77270	LEVER SET, SHIFT	1	1	1						R
31	3	22417-200200	COTTER PIN 2.0X20	1	1	1						
31-1	3	124250-77550	PIN, COTTER	1	1	1						R
32	2	X212037002	SWITCH, MAGNETIC	1	1	1						
32-1	2	124250-77310	SWITCH, MAGNETIC	1	1	1						R
33	2	X21204810	BOLT, THROUGH	2	2	2						
33-1	2	124250-77320	BOLT, THROUGH	2	2	2						R
34	2	X21145866	BOLT	2	2	2						
35	2	26557-040122	SCREW M 4X 12,PAN HD	2	2	2						

Fig.18. STARTER(12V-2.5KW)S13-41 OPT.

(A)=3T84A  
(B)=3T84A-LP  
(C)=3T84A-LPP

(D)=  
(E)=  
(F)=

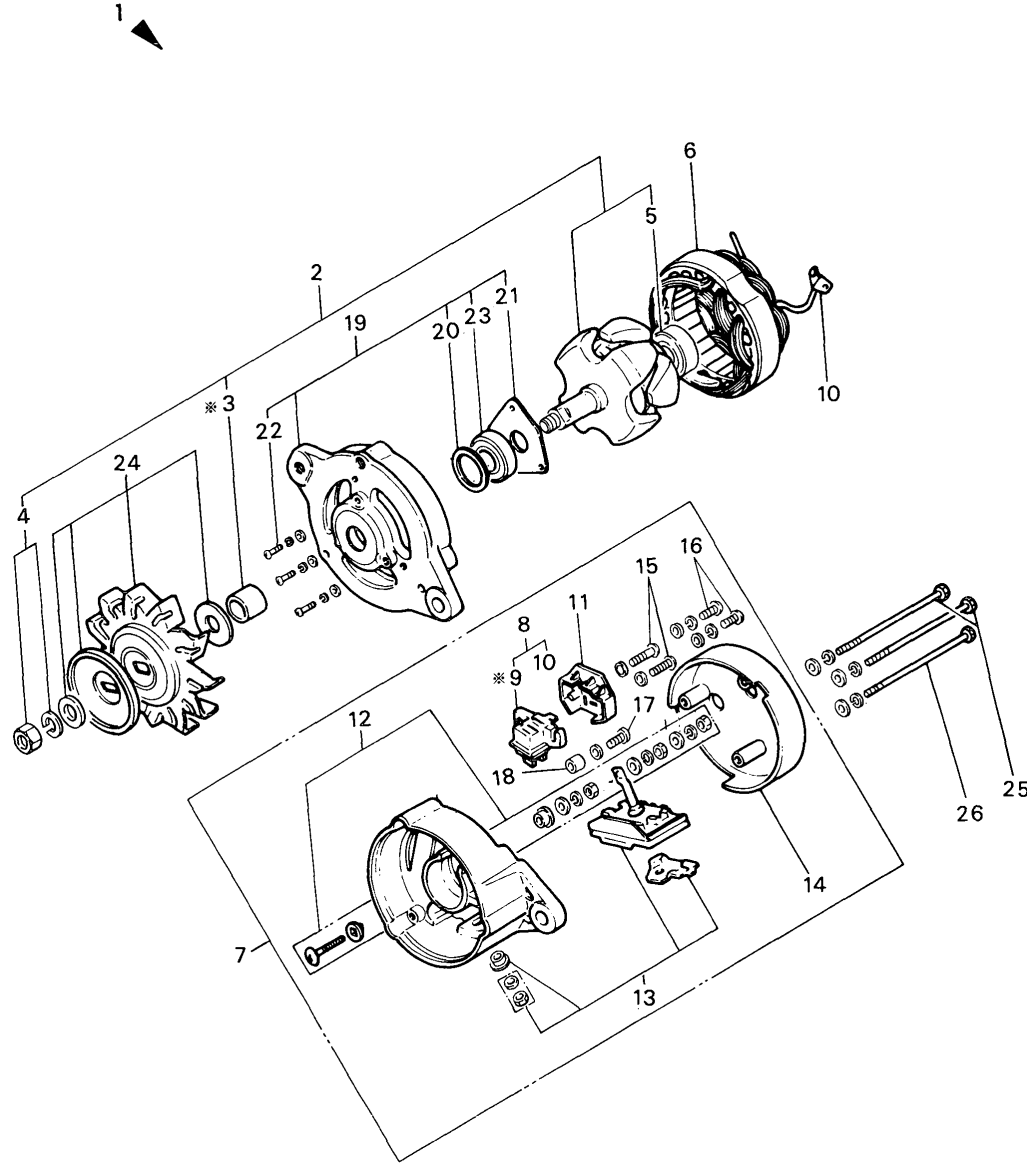
Fig. 18 STARTER (12V-2.5kW) TYPE S13-41  
[OPTIONAL PARTS]



REF.	LEV.	PARTS NO.	DESCRIPTION	Q'TY						I	R
				(A)	(B)	(C)	(D)	(E)	(F)		
1	1	121254-77010	STARTER (S13-41)	1	1	1					
2	2	X213011001	ARMATURE ASSY	1	1	1					
3	3	X21302302	BALL BEARING	1	1	1					
4	3	X21303302	BALL BEARING	1	1	1					
5	2	X21302115	WASHER KIT, THRUST	1	1	1					
10	2	X21301119	STOPPER SET, PINION	1	1	1					
14	3	X21308220	COIL ASSY, FIELD	1	1	1					
16	4	X21308311	BRUSH (+)	2	2	2					
17	2	X21304301	COVER ASSY, REAR	1	1	1					
17-1	2	X213043011	COVER ASSY, REAR	1	1	1					R
		(A=*) (B=*) (C=*)									
18	2	X21307305	HOLDER ASSY, BRUSH	1	1	1					
19	3	X21305312	BRUSH (-)	2	2	2					
20	3	X21305313	SPRING, BRUSH	4	4	4					
21	2	X21304400	BEARING ASSY, CENTER	1	1	1					
22	3	X21301402	SEAL, OIL	1	1	1					
24	3	X21302402	O-RING	1	1	1					
25	2	X21301110	SHAFT ASSY, GEAR	1	1	1					
26	2	X213045001	PINION ASSY	1	1	1					
27	2	X213017002	SWITCH ASSY, MAGNET.	1	1	1					
28	2	X213076001	HOUSING ASSY, GEARS	1	1	1					
29	2	X21302601	METAL, CASE BEARING	1	1	1					
30	2	X21302605	LEVER SET	1	1	1					
33	2	X21303610	COVER SET, DUST	1	1	1					
37	2	X21305820	BOLT, THROUGH	2	2	2					
38	2	26116-060352	BOLT M 6X 35 PLATED	2	2	2					
39	2	26116-060302	BOLT M 6X 30 PLATED	2	2	2					
40	2	26557-050122	SCREW M 5X 12	2	2	2					
41	2	26557-040152	SCREW	2	2	2					

Fig.19. AC GENERATOR 12V-15A (LT115-52)

Fig. 19 AC GENERATOR 12V-15A (TYPE LT115-52)



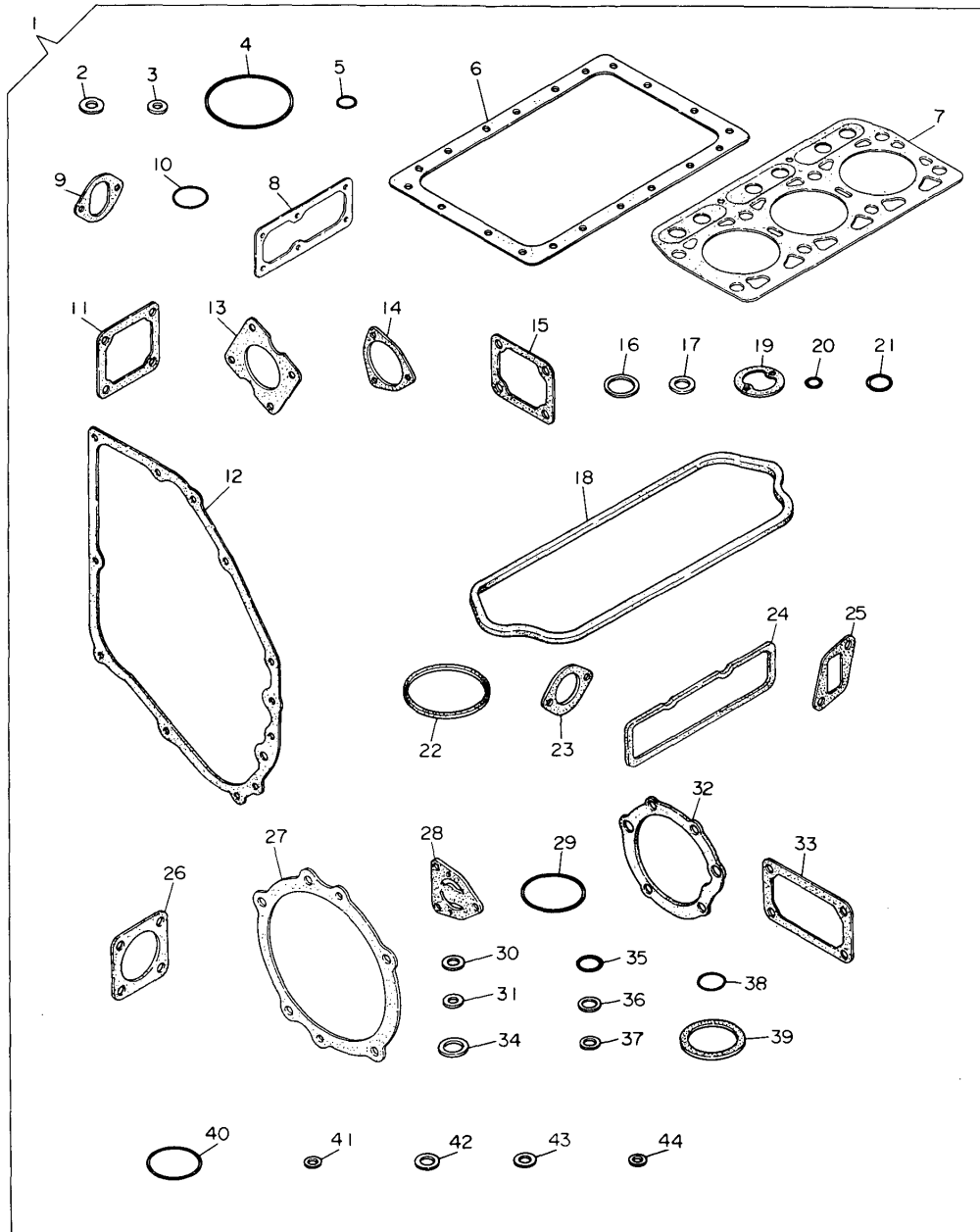
(A)=3T84A  
(B)=3T84A-LP  
(C)=3T84A-LPP

(D)=  
(E)=  
(F)=

REF.	LEV.	PARTS NO.	DESCRIPTION	Q'TY						I	R
				(A)	(B)	(C)	(D)	(E)	(F)		
1	1	124756-77210	GENERATOR (LT115-52)	1	1	1					
2	2	XLT1157100	ROTOR ASSY	1	1	1					
4	3	XB444001A	NUT SET, PULLEY	1	1	1					
5	3	X6201SD	BALL BEARING	1	1	1					
6	2	XL135N220	STATOR ASSY	1	1	1					
7	2	XL1208300	COVER ASSY, REAR	1	1	1					
8	3	XL135N1301	BRUSH ASSY	1	1	1					
10	4	XL135N1302	N-TERMINAL	1	1	1					
11	3	XL1153802	COVER, BRUSH	1	1	1					
12	3	XL1255310A	BOLT ASSY, TERMINAL	1	1	1					
13	3	XL1258320	DIODE	1	1	1					
14	3	XL1154803	COVER, REAR	1	1	1					
15	3	26557-040202	SCREW M 4X 20	2	2	2					
16	3	26557-040082	SCREW M 4X 8	3	3	3					
17	3	26117-050169	BOLT M 5X 16 PLATED	1	1	1					
18	3	XL1151341	SPACER	1	1	1					
19	2	XL1156400	COVER ASSY, FRONT	1	1	1					
20	3	XL1201403	RETAINER, GASKET	1	1	1					
21	3	XL1201404	RETAINER, GASKET	1	1	1					
22	3	26557-040202	SCREW M 4X 20	3	3	3					
23	3	X6202B	BALL BEARING	1	1	1					
24	2	XL1154501	PULLEY ASSY	1	1	1					
25	2	XL1154801	BOLT, THROUGH	2	2	2					
26	2	XL135Y1801	BOLT, THROUGH	2	2	2					

Fig.20. GASKET (EFFECT. FROM E/#80342)

Fig. 20 GASKET KIT (EFFECTIVE FROM E/ #80342)



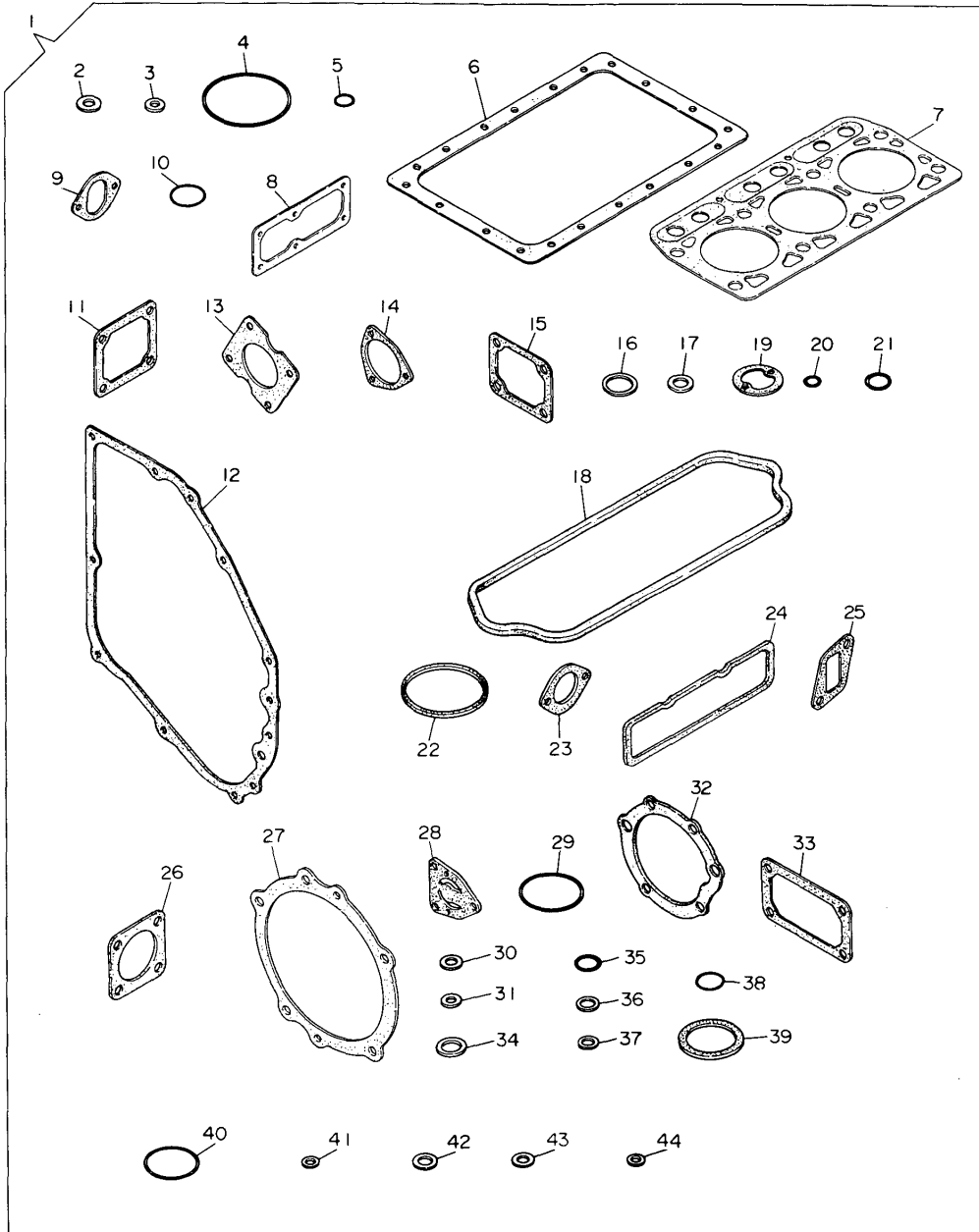
(A)=3T84A  
(B)=3T84A-LP  
(C)=3T84A-LPP

(D)=  
(E)=  
(F)=

REF.	LEV.	PARTS NO.	DESCRIPTION	Q'TY						I	R
				(A)	(B)	(C)	(D)	(E)	(F)		
1	1	721253-92600	GASKET SET	1	1	1					1
2	2	121250-01990	GASKET	3	3	3					
3	2	43400-500410	SEAL WASHER 8	4	4	4					
4	2	124550-01300	GASKET, LINER	6	6	6					
5	2	24311-000140	O-RING 1A P-14.0	1	1	1					
6	2	121250-01751	GASKET, OIL SUMP	1	1	1					
7	2	121252-01330	GASKET, CYL. HEAD	1	1	1					
7-1	1	121250-01331	GASKET, CYL.HEAD	1	1	1					N
		(A=E/# A1552) (B=E/# A1552) (C=E/# A1552)									
8	2	124160-01863	GASKET	1	1	1					
9	2	124160-34844	GASKET	1	1	1					
10	2	24321-000350	O-RING 1A G-35.0	1	1	1					
10-1	1	24311-000320	O-RING 1A P-32.0	1	1	1					R
		(A=E/# 98804) (B=E/# 98804) (C=E/# 98804)									
11	2	124160-01532	GASKET	1	1	1					
12	2	124450-01512	GASKET, GEAR HOUSING	1	1	1					
13	2	124950-26021	GASKET	1	1	1					
13-1	1	124240-01883	GASKET, (NON ASB.)	1	1	1					R
		(A=E/# A2896) (B=E/# A2896) (C=E/# A2896)									
14	2	124250-91412	GASKET, TACHOMETER	1	1	1					
15	2	124450-11681	GASKET	1	1	1					
16	2	104900-11450	GASKET, CHAMBER	6	6	6					
17	2	103854-11490	INSULATOR	3	3	3					
18	2	121370-11310	GASKET, BONNET	1	1	1					
19	2	124460-03663	GASKET	2	2	2					
20	2	24311-000070	O-RING 1A P-7.0	3	3	3					
21	2	24311-000140	O-RING 1A P-14.0	3	3	3					
22	2	124064-12430	GASKET, CLEANER	2	2	2					
23	2	124767-12050	GASKET	1	1	1					
24	2	121250-12710	GASKET, INT.MANIFOLD	1	1	1					
25	2	121250-13520	GASKET, EXH.MANIFOLD	3	3	3					
26	2	124450-11900	GASKET	1	1	1					
27	2	124460-02150	GASKET	1	1	1					
28	2	124450-32020	GASKET	1	1	1					
29	2	124450-35110	O-RING, L.O.STRAINER	1	1	1					
30	2	23414-100000	GASKET 10, ROUND	2	2	2					
31	2	23414-080000	GASKET 8, ROUND	6	6	6					
32	2	124750-42050	GASKET	1							
32-1	2	124750-42051	GASKET	1	1	1					S
		(A=E/# 80035)									
33	2	124450-44410	GASKET	1	1	1					
34	2	124465-44950	GASKET 16	1	1	1					
35	2	24311-000160	O-RING 1A P-16.0	1	1	1					
36	2	174307-51270	GASKET	3	3	3					
37	2	124550-51350	GASKET, DELIVERY	3	3	3					
38	2	124550-51370	O-RING, DELIVERY	3	3	3					
39	2	172100-53200	GASKET	3	3	3					
40	2	102103-55520	O-RING	1	1	1					
41	2	43400-500390	SEAL WASHER 6	1	1	1					
42	2	104200-59170	GASKET 12	2	2	2					
43	2	23414-080012	GASKET 8	6	6	6					

Fig.20. GASKET (EFFECT. FROM E/#80342)

Fig. 20 GASKET KIT (EFFECTIVE FROM E/ #80342)



(A)=3T84A  
(B)=3T84A-LP  
(C)=3T84A-LPP

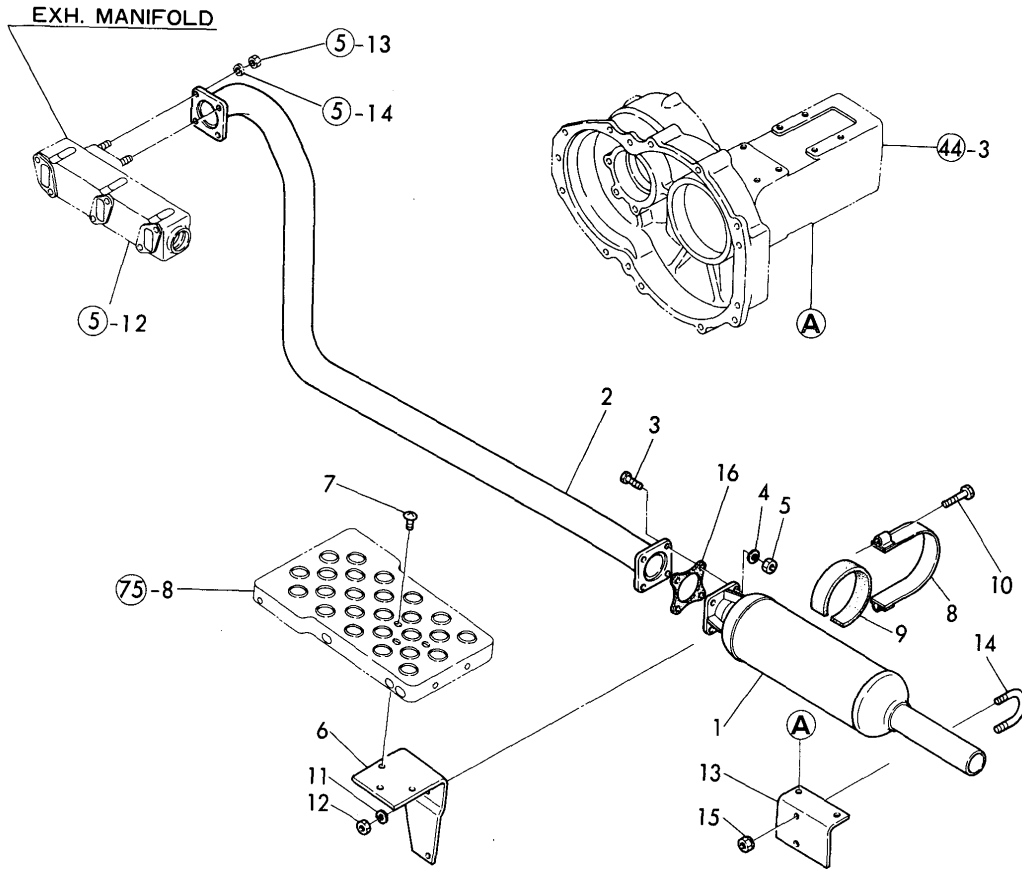
(D)=  
(E)=  
(F)=

REF.	LEV.	PARTS NO.	DESCRIPTION	Q'TY						I	R
				(A)	(B)	(C)	(D)	(E)	(F)		
44	2	43400-500400	SEAL WASHER 6	2	2	2					



Fig.21. UNDERSLUNG SILENCER

Fig. **21** UNDERSLUNG SILENCER



(A)=YM330  
(B)=YM330D  
(C)=

(D)=  
(E)=  
(F)=

REF.	LEV.	PARTS NO.	DESCRIPTION	Q'TY						I	R
				(A)	(B)	(C)	(D)	(E)	(F)		
1	1	194270-03410-X	SILENCER, EXHAUST	1	1						
2	1	194270-03420-X	PIPE, UNDERSLUNG	1	1						
2-1	1	194270-03421-X	PIPE, UNDERSLUNG	1	1						N
		(A=*1985.06) (B=*1985.06)									
3	1	26116-080302	BOLT M 8X 30 PLATED	4	4						
3-1	1	26106-080302	BOLT M 8X 30 PLATED	4	4						N
		(A=*1990.02) (B=*1990.02)									
4	1	22217-080000	SPRING WASHER 8	4	4						Z
		(A=*1990.02) (B=*1990.02)									
5	1	26716-080002	NUT M 8	4	4						
5-1	1	194990-22050	NUT W/WASHER 8	4	4						N
		(A=*1983.06) (B=*1983.06)									
6	1	194270-03430-X	BRACKET, SILENCER	1	1						
7	1	26587-080202	SCREW M 8X 20	3	3						
8	1	194270-03440-X	BAND, SILENCER	1	1						
9	1	194240-03620	GASKET	1	1						
10	1	26116-080452	BOLT M 8X 45 PLATED	2	2						
10-1	1	26106-080452	BOLT M 8X 45 PLATED	2	2						N
		(A=*1990.02) (B=*1990.02)									
11	1	22217-080000	SPRING WASHER 8	2	2						Z
		(A=*1990.02) (B=*1990.02)									
12	1	26716-080002	NUT M 8	2	2						
12-1	1	194990-22050	NUT W/WASHER 8	2	2						N
		(A=*1983.06) (B=*1983.06)									
13	1	194270-03450-X	BRACKET, SILENCER	1	1						
14	1	194270-03460	U-BOLT M 6	1	1						
15	1	194990-22040	NUT W/WASHER 6	2	2						
16	1	121450-13200	GASKET, SILENCER	1	1						
16-1	1	121450-13201	GASKET, SILENCER	1	1						N
		(A=*1990.06) (B=*1990.06)									

Fig.22. THROTTLE(U.S.A.)

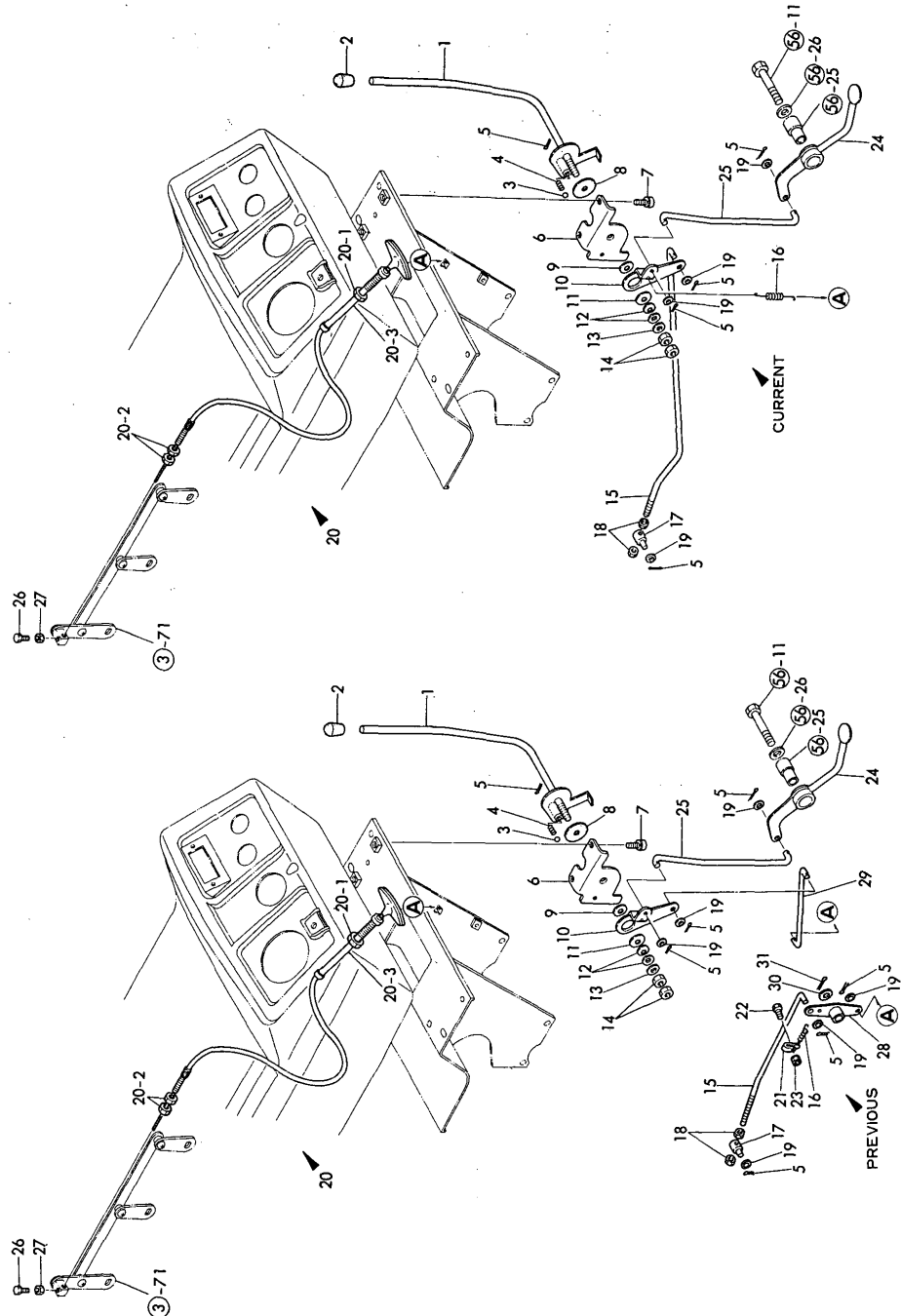


Fig. 22 THROTTLE

(A)=YM330  
(B)=YM330D  
(C)=

(D)=  
(E)=  
(F)=

REF.	LEV.	PARTS NO.	DESCRIPTION	Q'TY						I R
				(A)	(B)	(C)	(D)	(E)	(F)	
1	1	194275-01110	LEVER, THROTTLE	1	1					
1-1	1	194170-01110	LEVER, THROTTLE	1	1					R
		(A=T/# 00292) (B=T/# 00486)								
2	1	194150-01190	KNOB, THROTTLE LEVER	1	1					
3	1	24190-110001	BALL 11/32, STEEL	1	1					
4	1	194080-27480	SPRING	1	1					
4-1	1	194197-01160	SPRING	1	1					S
		(A=*1980.) (B=*1980.)								
5	1	22417-160180	COTTER PIN 1.6X18	7	7					
5-1	1	22417-160180	COTTER PIN 1.6X18	5	5					K
		(A=T/# 00292) (B=T/# 00486)								
6	1	194275-01140-X	BRACKET, THRTL LEVER	1	1					
7	1	26013-080162	BOLT W/WASHER M8X16	2	2					
7-1	1	26106-080162	BOLT M 8X 16 PLATED	2	2					N
		(A=*1990.05) (B=*1990.05)								
8	1	194145-01260	PLATE, FRICTION	1	1					
8-1	1	198220-01261	PLATE, FRICTION	1	1					N
		(A=*1989.03) (B=*1989.03)								
9	1	194150-01270	SPACER 20	1	1					
10-1	1	194275-01352	LEVER, THROTTLE LINK	1	1					
11	1	22157-100000	WASHER 10	1	1					
12	1	194740-00160	WASHER 10, CONICAL	2	2					
13	1	22137-100000	WASHER 10,POLISHED	1	1					
14	1	26716-100002	NUT M10	2	2					
15	1	194275-01320	ROD, THROTTLE LINK	1	1					
15-1	1	194464-01320	ROD, THROTTLE LINK	1	1					S
		(A=T/# 00292) (B=T/# 00486)								
16-1	1	194420-01450	SPRING, RETURN	1	1					
16-2	1	194750-04400	SPRING, RETURN	1	1					S
		(A=T/# 00292) (B=T/# 00486)								
17	1	194150-01370	ADJUSTER	1	1					
18	1	26716-080002	NUT M 8	2	2					
19	1	22137-080000	WASHER 8, POLISHED	6	6					
19-1	1	22137-080000	WASHER 8, POLISHED	4	4					K
		(A=T/# 00292) (B=T/# 00486)								
20	1	194145-01501	CABLE ASSY, DECOMP.	1	1					
20A	2	26736-100002	NUT M10	1	1					
20A-1	2	194145-01540	NUT M11	1	1					N
		(A=*1987.09) (B=*1987.09)								
20B	2	26716-060002	NUT M 6	2	2					
21	1	194750-04410	HOOK	1	1					Z
		(A=T/# 00292) (B=T/# 00486)								
22	1	26587-060162	SCREW M 6X 16	1	1					Z
		(A=T/# 00292) (B=T/# 00486)								
23	1	194990-22040	NUT W/WASHER 6	1	1					Z
		(A=T/# 00292) (B=T/# 00486)								
24	1	194145-01411-X	PEDAL, THROTTLE	1	1					
25	1	194275-01441-U	ROD, THROTTLE LINK	1	1					
26	1	26116-050148	BOLT M 5X 14 PLATED	1	1					
26-1	1	26116-050142	BOLT M 5X 14 PLATED	1	1					R
		(A=*) (B=*)								

N:Old ↔ New, Q:Old ↔ New, R:Old ↔ New, S:Old ↔ New, W:Add, Z:Discontinued, F:Set Change, K:Q'ty Change  
 ++ CONTINUE ++  
 (C)Copy Rights YANMAR CO.,LTD and YANMAR AGRICULTURAL EQUIPMENT CO.,LTD.

Fig.22. THROTTLE(U.S.A.)

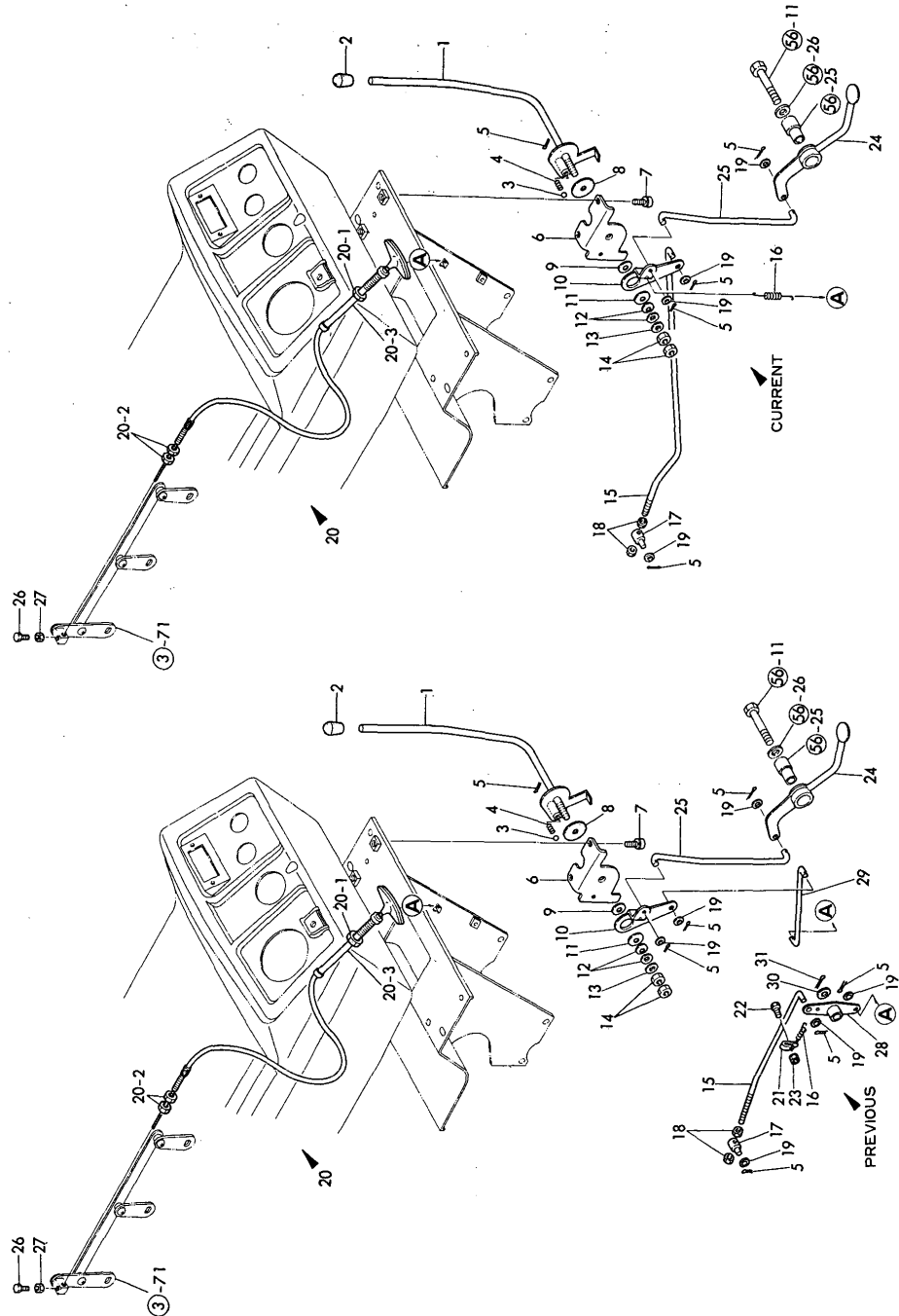


Fig.22 THROTTLE

(A)=YM330  
(B)=YM330D  
(C)=

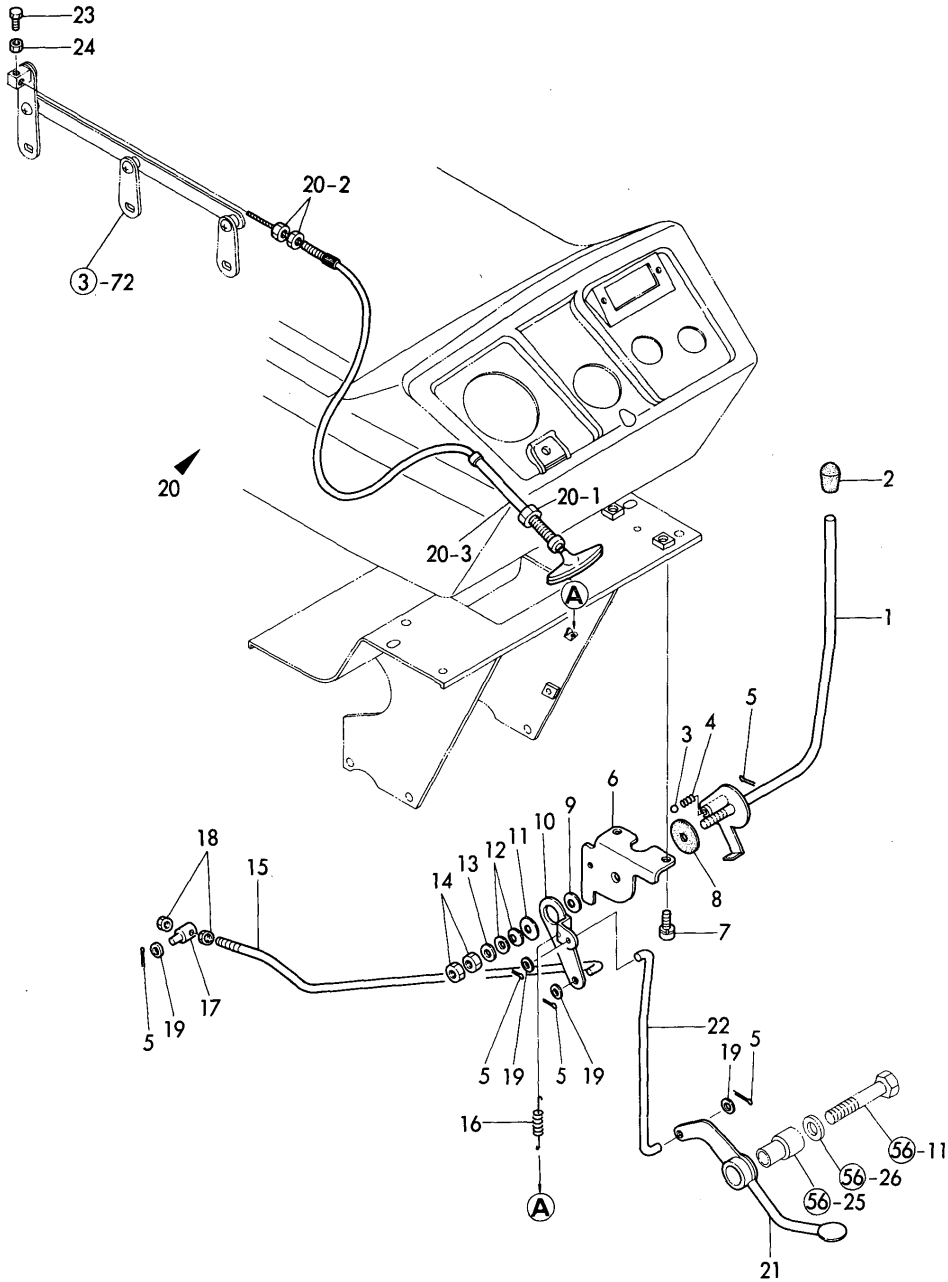
(D)=  
(E)=  
(F)=

REF.	LEV.	PARTS NO.	DESCRIPTION	Q'TY						I	R
				(A)	(B)	(C)	(D)	(E)	(F)		
27	1	26756-050002	LOCK NUT M 5 PLATED	1	1						
28	1	194275-01310	LEVER, THROTTLE LINK	1	1						Z
		(A=T/# 00292) (B=T/# 00486)									
29	1	194275-01330	ROD, THROTTLE LINK	1	1						Z
		(A=T/# 00292) (B=T/# 00486)									
30	1	22137-120000	WASHER 12,POLISHED	1	1						Z
		(A=T/# 00292) (B=T/# 00486)									
31	1	22417-160250	COTTER PIN 1.6X25	1	1						Z
		(A=T/# 00292) (B=T/# 00486)									



Fig.23. THROTTLE(PORTUGAL)

Fig. **23** THROTTLE



(A)=YM330  
(B)=YM330D  
(C)=

(D)=  
(E)=  
(F)=

REF.	LEV.	PARTS NO.	DESCRIPTION	Q'TY						I	R
				(A)	(B)	(C)	(D)	(E)	(F)		
1	1	194170-01110	LEVER, THROTTLE	1	1						
2	1	194150-01190	KNOB, THROTTLE LEVER	1	1						
3	1	24190-110001	BALL 11/32, STEEL	1	1						
4	1	194197-01160	SPRING	1	1						
5	1	22417-160180	COTTER PIN 1.6X18	5	5						
6	1	194275-01140-U	BRACKET, THRTL LEVER	1	1						
7	1	26013-080162	BOLT W/WASHER M8X16	2	2						
8	1	194145-01260	PLATE, FRICTION	1	1						
9	1	194150-01270	SPACER 20	1	1						
10	1	194275-01352	LEVER, THROTTLE LINK	1	1						
11	1	22157-100000	WASHER 10	1	1						
12	1	194740-00160	WASHER 10, CONICAL	2	2						
13	1	22137-100000	WASHER 10,POLISHED	1	1						
14	1	26716-100002	NUT M10	2	2						
15	1	194464-01320	ROD, THROTTLE LINK	1	1						
16	1	194750-04400	SPRING, RETURN	1	1						
17	1	194150-01370	ADJUSTER	1	1						
18	1	26716-080002	NUT M 8	2	2						
19	1	22137-080000	WASHER 8, POLISHED	4	4						
20	1	194145-01501	CABLE ASSY, DECOMP.	1	1						
20-1	2	26736-100002	NUT M10	1	1						
20-2	2	26716-060002	NUT M 6	2	2						
21	1	194145-01411-X	PEDAL, THROTTLE	1	1						
22	1	194275-01441-U	ROD, THROTTLE LINK	1	1						
23	1	26116-050142	BOLT M 5X 14 PLATED	1	1						
24	1	26756-050002	LOCK NUT M 5 PLATED	1	1						

Fig.24. FUEL TANK(U.S.A.)

(A)=YM330  
(B)=YM330D  
(C)=

(D)=  
(E)=  
(F)=

REF.	LEV.	PARTS NO.	DESCRIPTION	Q'TY						I	R
				(A)	(B)	(C)	(D)	(E)	(F)		
1	1	194145-04111	TANK, FUEL	1	1						
1-1	1	194145-04112	TANK (32L), FUEL	1	1						S 1
		(A=*1982.09) (B=*1982.09)									
2	1	194145-04301	CAP, TANK	1	1						
2-1	1	194145-04302	CAP W/GAUGE, F. TANK	1	1						R
		(A=T/# 00292) (B=T/# 00486)									
3	2	194145-04310	CAP, FUEL TANK	1	1						
3-1	2	194145-04311	CAP, FUEL TANK	1	1						N
		(A=T/# 00292) (B=T/# 00486)									
4	2	194145-04350	LENS	1	1						
4-1	2	194145-04351	LENS	1	1						N
		(A=T/# 00292) (B=T/# 00486)									
5	2	194145-04460	SCREW 4X12	4	4						
6	2	194145-04520	GASKET	1	1						
6-1	2	194145-04521	GASKET	1	1						N
		(A=T/# 00292) (B=T/# 00486)									
7	2	194145-04530	SCREW M3X 6	2	2						
7-1	2	26557-030062	SCREW M 3X 6	2	2						S
		(A=T/# 00292) (B=T/# 00486)									
8	1	194320-04210-X	BRACKET	1	1						
9	1	26013-100202	BOLT W/WASHER M10X20	2	2						
9-1	1	26116-100202	BOLT M10X 20 PLATED	2	2						R
		(A=*) (B=*)									
9-2	1	26106-100202	BOLT M10X 20 PLATED	2	2						N
		(A=*1990.02) (B=*1990.02)									
10	1	194145-04810	WASHER 10	2	2						
11	1	194275-04251	BAND	2	2						
12	1	26116-080502	BOLT M 8X 50 PLATED	2	2						
12-1	1	26106-080502	BOLT M 8X 50 PLATED	2	2						N
		(A=*1990.02) (B=*1990.02)									
13	1	26716-080002	NUT M 8	4	4						
14	1	194151-04260	GASKET, RUBBER	3	3						
15	1	194130-04271	GASKET, FO-TANK	2	2						
16	1	194150-04750	JOINT	1	1						Z
		(A=T/# 00292) (B=T/# 00486)									
17	1	24311-000120	O-RING 1A P 12.0	1	1						Z
		(A=T/# 00292) (B=T/# 00486)									
18	1	26716-100002	NUT M10	1	1						Z
		(A=T/# 00292) (B=T/# 00486)									
19	1	22217-100000	SPRING WASHER 10	1	1						Z
		(A=T/# 00292) (B=T/# 00486)									
20	1	22137-100000	WASHER 10,POLISHED	1	1						Z
		(A=T/# 00292) (B=T/# 00486)									
21	1	194136-04720	PIPE, FUEL OIL	1	1						
21-1	1	194145-04720	PIPE, FUEL OIL	1	1						S
		(A=T/# 00292) (B=T/# 00486)									
21-2	1	194370-04720	PIPE, FUEL OIL	1	1						R 1
		(A=*1982.05) (B=*1982.05)									
22	1	124460-59050	CLAMP	2	2						
22-1	1	124766-59050	CLAMP 12	2	2						N
		(A=T/# 00292) (B=T/# 00486)									

N:Old ↔ New, Q:Old ↔ New, R:Old ↔ New, S:Old ↔ New, W:Add, Z:Discontinued, F:Set Change, K:Q'ty Change  
++ CONTINUE ++  
(C)Copy Rights YANMAR CO.,LTD and YANMAR AGRICULTURAL EQUIPMENT CO.,LTD.

Fig.24 FUEL OIL TANK

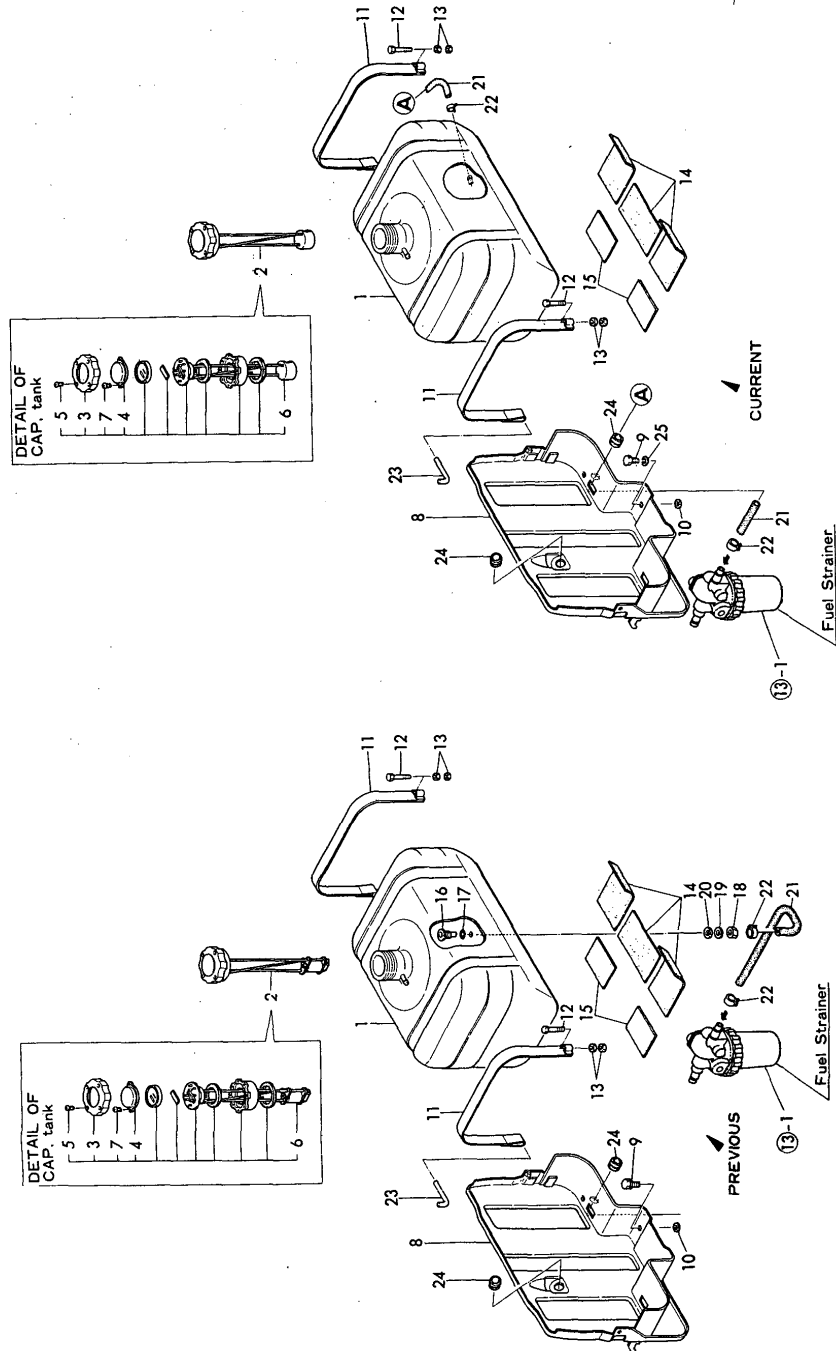


Fig.24. FUEL TANK(U.S.A.)

(A)=YM330  
(B)=YM330D  
(C)=

(D)=  
(E)=  
(F)=

REF.	LEV.	PARTS NO.	DESCRIPTION	Q'TY						I	R	
				(A)	(B)	(C)	(D)	(E)	(F)			
22-2	1	23080-012000	CLAMP 12	2	2						N	1
		(A=*1986.02) (B=*1986.02)										
23	1	194275-04280	PIN	2	2							
23-1	1	194275-04281	PIN	2	2							R
		(A=*1981.10) (B=*1981.10)										
24	1	194162-58830	GROMMET 20	2	2							
25	1	22217-100000	SPRING WASHER 10	2	2							Z
		(A=*1990.02) (B=*1990.02)										

Fig.24 FUEL OIL TANK

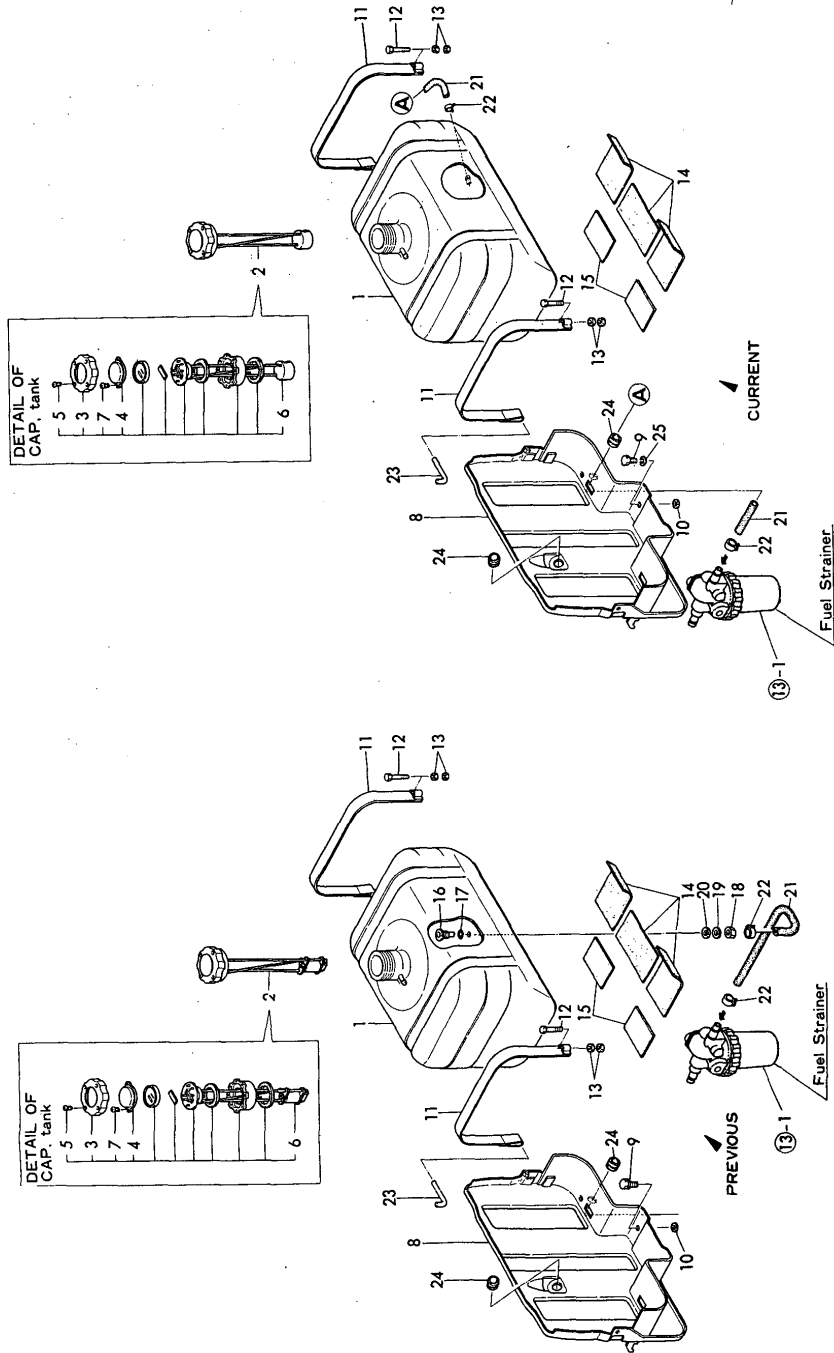
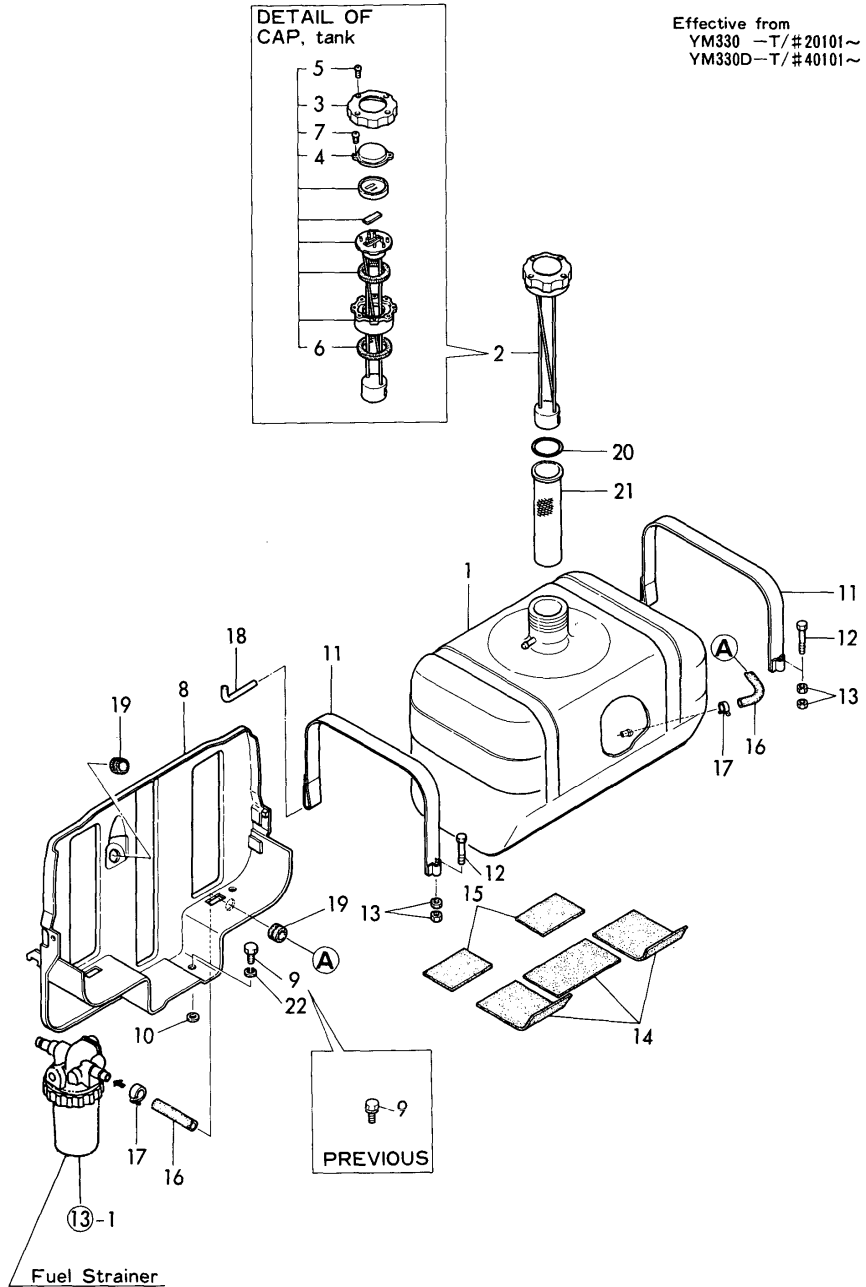


Fig.25. FUEL TANK(PORTUGAL)

Fig.25 FUEL OIL TANK



Y00T2341 25. FUEL TANK(PORTUGAL)

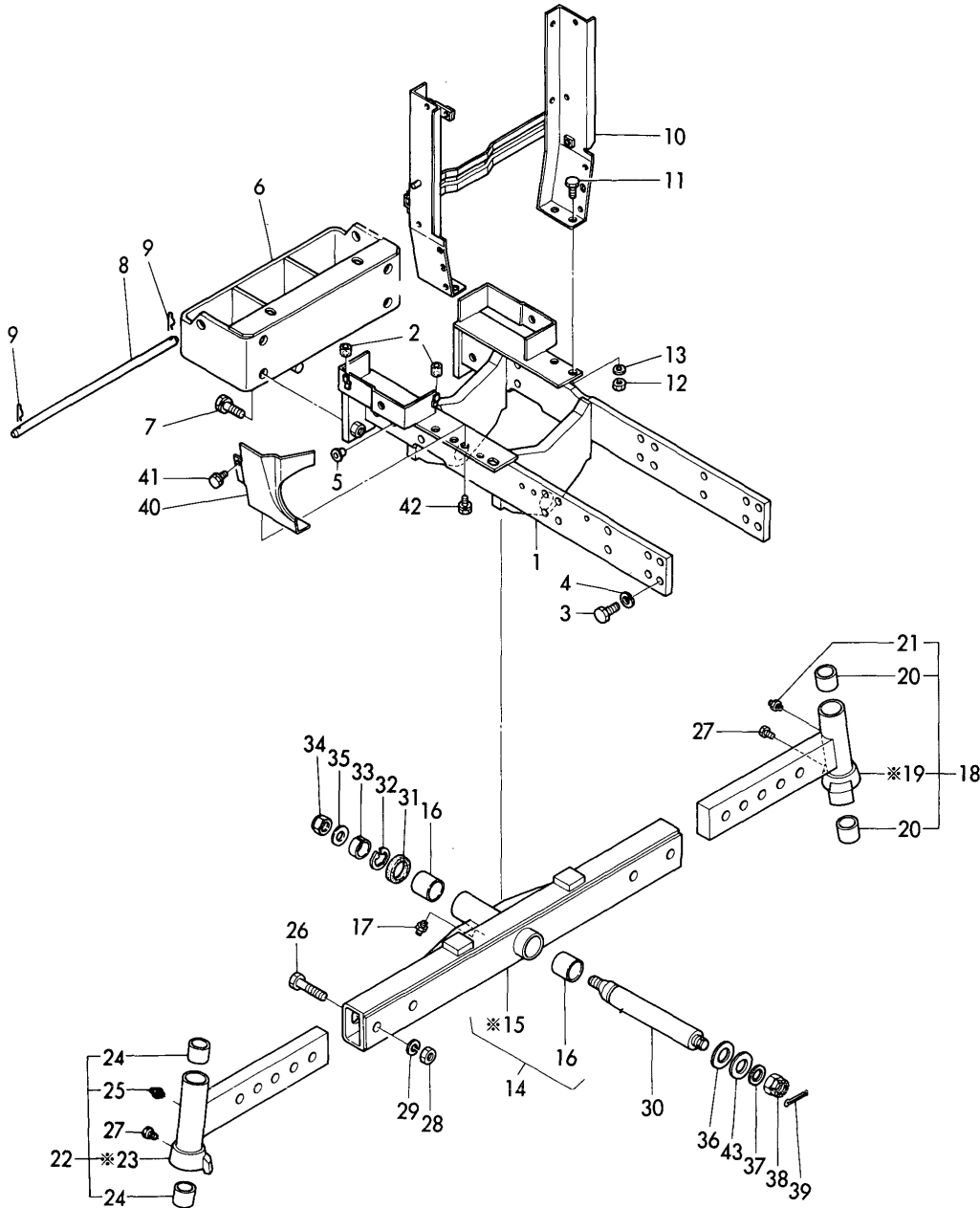
(A)=YM330  
(B)=YM330D  
(C)=

(D)=  
(E)=  
(F)=

REF.	LEV.	PARTS NO.	DESCRIPTION	Q'TY						I	R
				(A)	(B)	(C)	(D)	(E)	(F)		
1	1	194145-04112	TANK (32L), FUEL	1	1						
2	1	194145-04302	CAP W/GAUGE, F. TANK	1	1						
3	2	194145-04311	CAP, FUEL TANK	1	1						
4	2	194145-04351	LENS	1	1						
5	2	194145-04460	SCREW 4X12	4	4						
6	2	194145-04521	GASKET	1	1						
7	2	26557-030062	SCREW M 3X 6	2	2						
8	1	194320-04210-X	BRACKET	1	1						
9	1	26013-100202	BOLT W/WASHER M10X20	2	2						
9-1	1	26116-100202	BOLT M10X 20 PLATED	2	2						R
10	1	194145-04810	WASHER 10	2	2						
11	1	194275-04251	BAND	2	2						
12	1	26116-080502	BOLT M 8X 50 PLATED	2	2						
13	1	26716-080002	NUT M 8	4	4						
14	1	194151-04260	GASKET, RUBBER	3	3						
15	1	194130-04271	GASKET, FO-TANK	2	2						
16	1	194145-04720	PIPE, FUEL OIL	1	1						
17	1	124766-59050	CLAMP 12	2	2						
18	1	194275-04280	PIN	2	2						
18-1	1	194275-04281	PIN	2	2						R
19	1	194162-58830	GROMMET 20	2	2						
20	1	24311-000450	O-RING 1A P-45.0	1	1						
21	1	194286-04140	STRAINER, FUEL TANK	1	1						
22	1	22217-100000	SPRING WASHER 10	2	2						W

Fig.26. FRONT AXLE(FOR MODEL YM330)

Fig. **26** FRONT AXLE FOR MODEL YM330



(A)=YM330  
(B)=YM330D  
(C)=

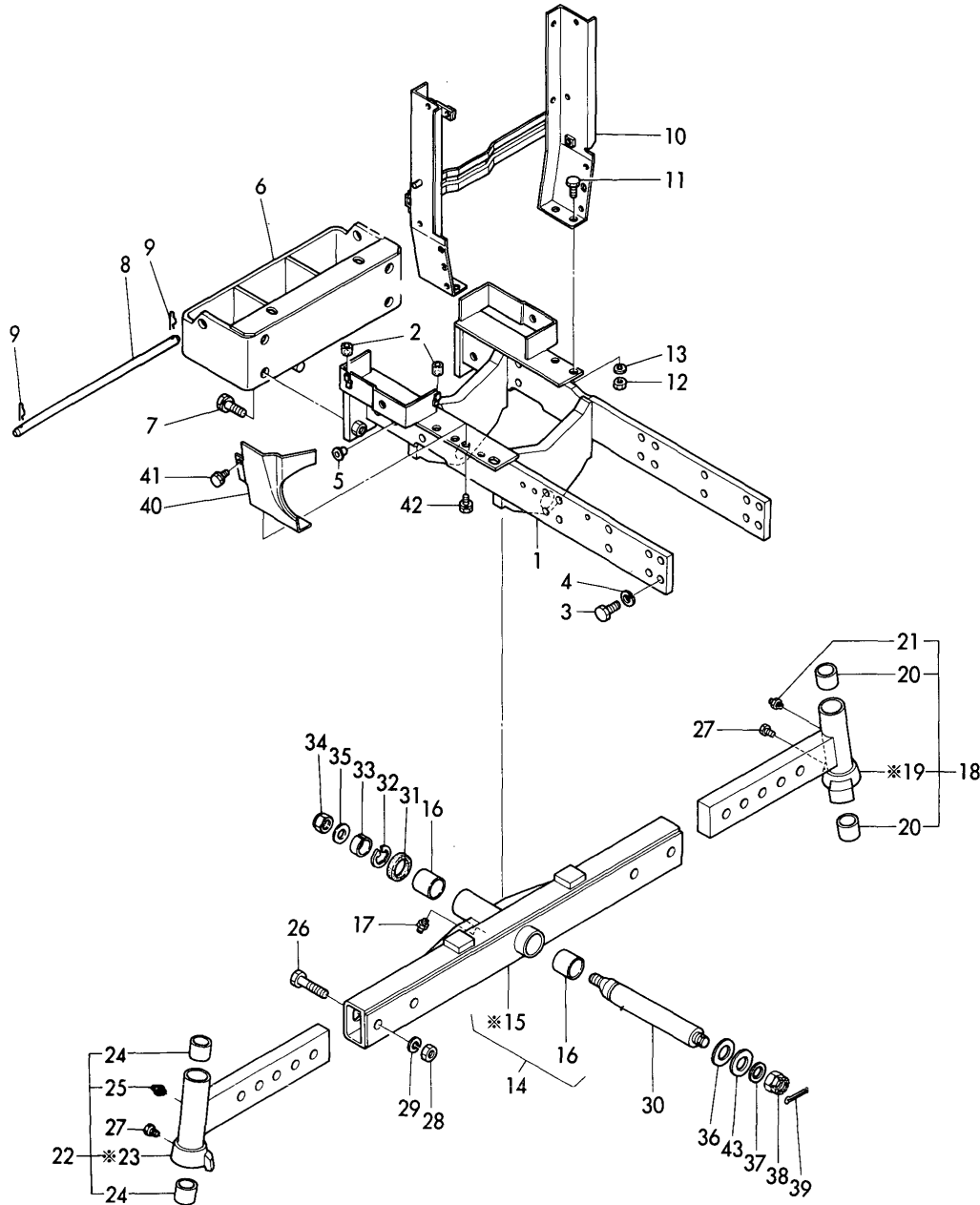
(D)=  
(E)=  
(F)=

REF.	LEV.	PARTS NO.	DESCRIPTION	Q'TY						I	R
				(A)	(B)	(C)	(D)	(E)	(F)		
1	1	194145-11110-X	BRACKET, FRONT AXLE	1							
1-1	1	194145-11111-X	BRACKET, FRONT AXLE	1							R
(A=*1980.)											
1-2	1	194145-11112-X	BRACKET, FRONT AXLE	1							N
(A=*1983.06)											
1-3	1	194370-11110	BRACKET, FRONT AXLE	1							N
(A=*1984.05)											
2	1	23061-070035	PIPE 7X 35	2							Z
(A=*1987*04)											
3	1	26116-120322	BOLT M12X 32 PLATED	16							
3A	1	26013-120302	BOLT W/WASHER M12X30	2							
4	1	22217-120000	WASHER 12,SPRING	16							
5	1	194150-24270	SCREW CAP 13	4							
6	1	194145-11120-X	HITCH, FRONT	1							
6-1	1	194322-11120-X	HITCH, FRONT	1							R
(A=*1983.07)											
6A	1	194464-11171	SEAL, RADIATOR	4							W
(A=*1983.10)											
7	1	26013-140452	BOLT M14X 45	4							
7-1	1	26013-140352	BOLT W/WASHER M14X35	4							N
(A=*)											
8	1	194145-11140	PIN, LOCK	1							
9	1	22360-160000	SNAP PIN 16	2							
10	1	194370-11130-X	BRACKET, RADIATOR	1							
10-1	1	194370-11150	BRACKET, RADIATOR	1							S
(A=*1985.08)											
10A	1	194440-01550	GROMMET	2							W
(A=*1985.08)											
11	1	26116-100252	BOLT M10X 25 PLATED	4							
11-1	1	26013-100252	BOLT W/WASHER M10X25	4							S
(A=*1985.08)											
11-2	1	26106-100252	BOLT M10X 25 PLATED	4							N
(A=*1990.02)											
12	1	26716-100002	NUT M10	4							Z
(A=*1985.08)											
13	1	22217-100000	SPRING WASHER 10	4							Z
(A=*1985.08)											
14	1	794145-11200-X	AXLE ASSY, FRONT	1							
14-1	1	194275-11200-X	AXLE ASSY, FRONT	1							R
(A=*)											
16	2	194145-11580	BUSH 35X39X40	2							
16-1	2	194464-11220	BUSH 35X39X40	2							R
(A=*)											
17	2	194151-11480	GREASE NIPPLE A	1							
17-1	2	24764-060000	NIPPLE MT6X1,GREASE	1							R
(A=*)											
17-2	2	24761-060000	NIPPLE MT6X1, GREASE	1							R
(A=*)											
18-1	1	194145-11400-X	EXTENSION (R) ASSY	1							
20	2	194145-11840	BUSH 30X34X32	2							
20-1	2	194464-11340	BUSH 30X34X32	2							R

N:Old ↔ New, Q:Old ↔ New, R:Old ↔ New, S:Old ↔ New, W:Add, Z:Discontinued, F:Set Change, K:Q'ty Change  
 ++ CONTINUE ++  
 (C)Copy Rights YANMAR CO.,LTD and YANMAR AGRICULTURAL EQUIPMENT CO.,LTD.

Fig.26. FRONT AXLE(FOR MODEL YM330)

Fig.26 FRONT AXLE FOR MODEL YM330



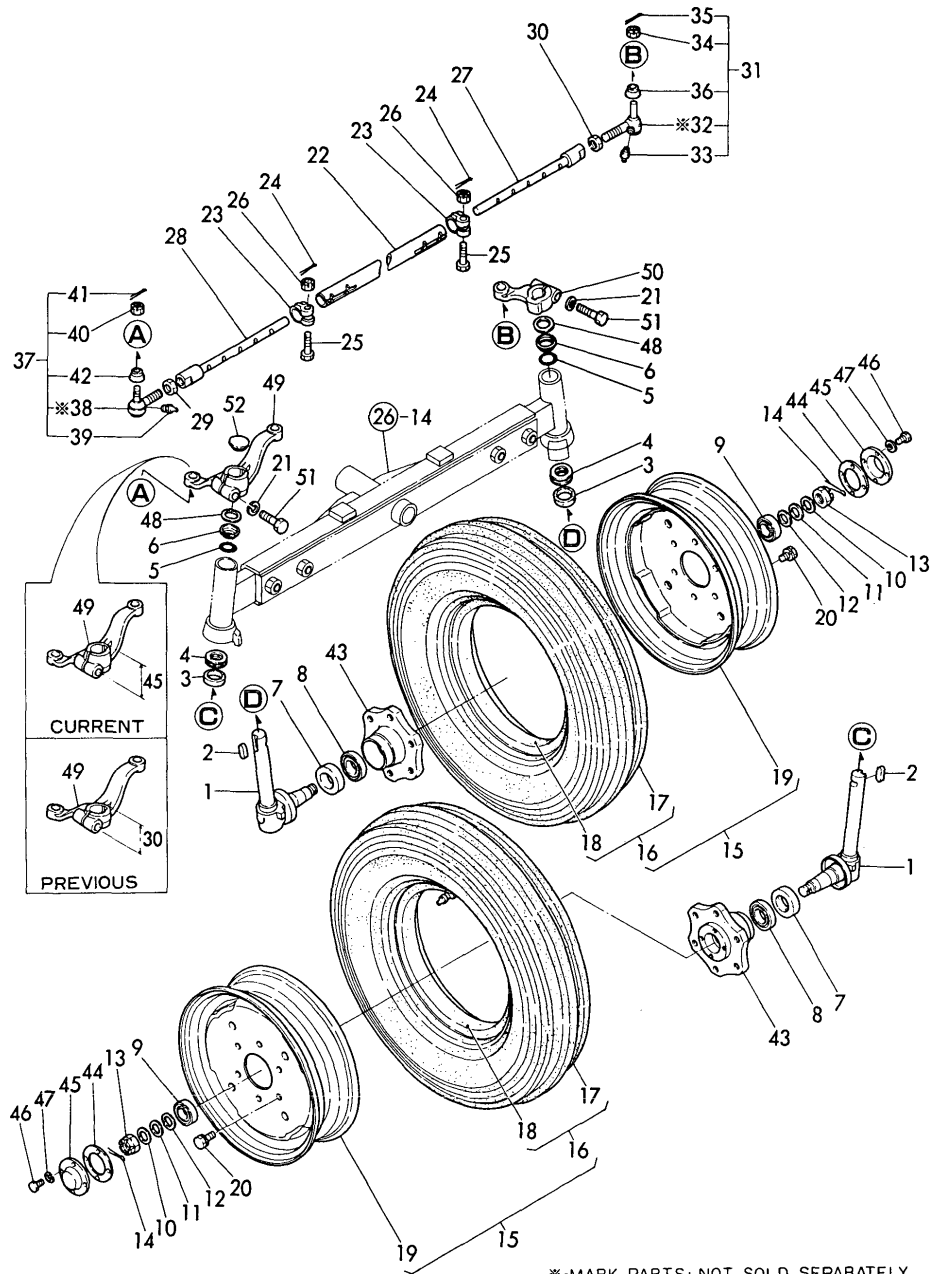
(A)=YM330  
(B)=YM330D  
(C)=

(D)=  
(E)=  
(F)=

REF.	LEV.	PARTS NO.	DESCRIPTION	Q'TY						I	R	
				(A)	(B)	(C)	(D)	(E)	(F)			
		(A=*)										
21	2	194151-11480	GREASE NIPPLE AX1	1								
21-1	2	24674-060000	NIPPLE M6X1, GREASE	1								R
		(A=*)										
21-2	2	24761-060000	NIPPLE MT6X1, GREASE	1								R
		(A=*)										
22-1	1	194145-11300-X	EXTENSION (L) ASSY	1								
24	2	194145-11840	BUSH 30X34X32	2								
24-1	2	194464-11340	BUSH 30X34X32	2								R
		(A=*)										
25	2	194151-11480	GREASE NIPPLE A	1								
25-1	2	24764-060000	NIPPLE MT6X1,GREASE	1								R
		(A=*)										
25-2	2	24761-060000	NIPPLE MT6X1, GREASE	1								R
		(A=*)										
26	1	194145-11240	BOLT M16X 70	4								
27	1	194145-11350	BOLT M 6X 5	2								
28	1	26716-160002	NUT M16	4								
29	1	22217-160000	SPRING WASHER 16	4								
30	1	194145-11511	PIN, CENTER	1								
31	1	194145-11550	WASHER, THRUST	1								
32	1	194145-11521	CLIP 29	1								
33	1	194145-11570	SLEEVE, CENTER PIN	1								
34	1	26346-200002	U-NUT M20 PLATED	1								
35	1	22137-200000	WASHER 20	1								
36	1	194145-11630	SHIM	1								
37	1	22137-240000	WASHER 24,POLISHED	1								
38	1	194130-11580	NUT M24	1								
39	1	22417-450400	COTTER PIN 4.5X40	1								
40	1	194145-05111-X	COVER, BELT	1								
40-1	1	194370-05110	COVER, BELT	1								S
		(A=*1985.08)										
41	1	194155-05210	BOLT W/WASHER M6X16	1								Z
		(A=*1985.08)										
42	1	26013-060162	BOLT M 6X 16	2								
42-1	1	26116-060122	BOLT M 6X 12	3								S
		(A=*1985.08)										
42-2	1	26106-060122	BOLT M 6X 12 PLATED	3								N
		(A=*1989.09)										
42A	1	22217-060000	SPRING WASHER 6	3								W
		(A=*1985.08)										
42A-1	1	22217-060000	SPRING WASHER 6	3								Z
		(A=*1989.09)										
43	1	194145-11650	WASHER	1								1

Fig.27. TIE-ROD & FRONT TIRE (YM330)

Fig. **27** TIE-ROD & FRONT TIRE FOR MODEL YM330



\*-MARK PARTS: NOT SOLD SEPARATELY.

(A)=YM330  
(B)=YM330D  
(C)=

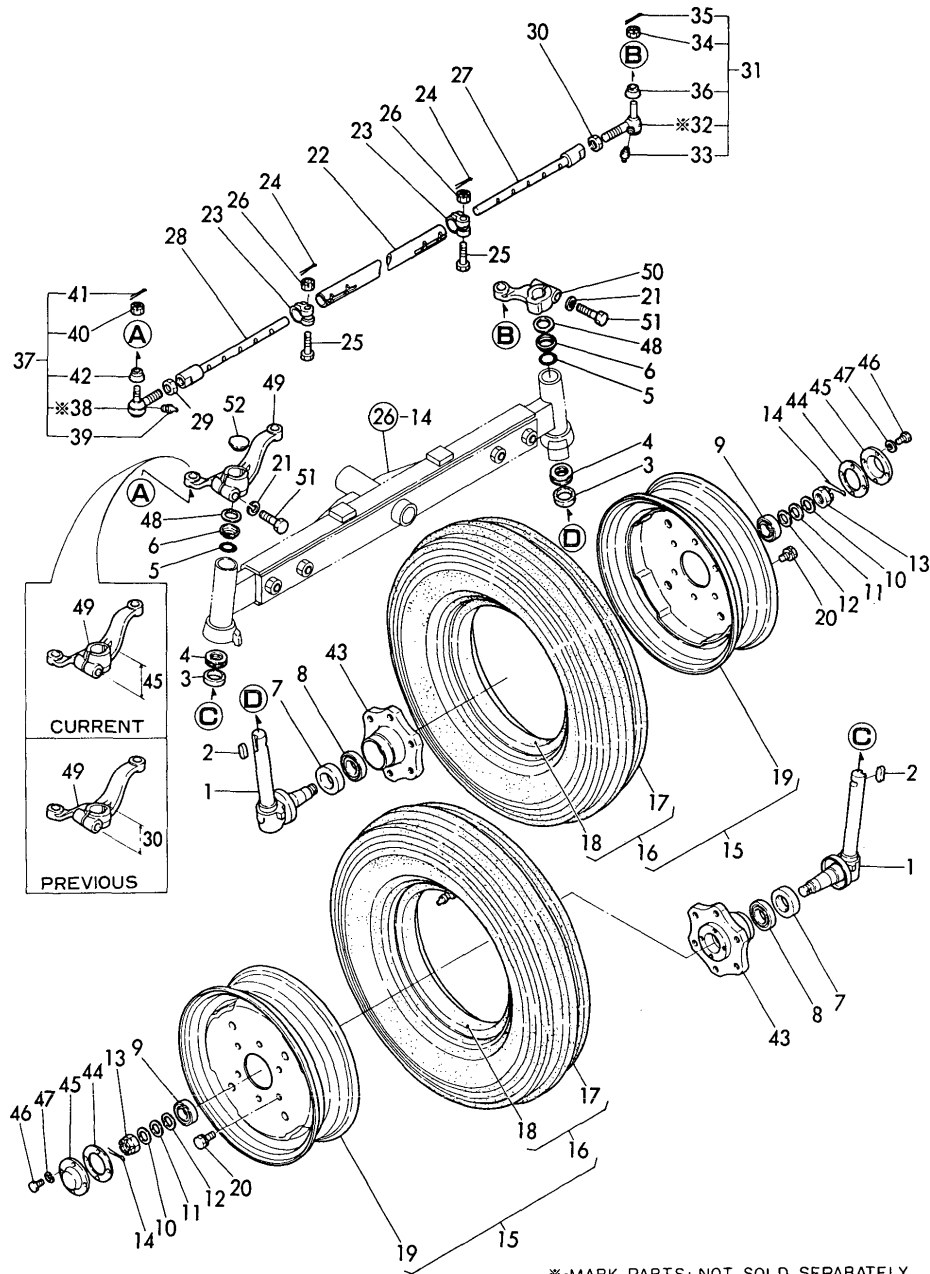
(D)=  
(E)=  
(F)=

REF.	LEV.	PARTS NO.	DESCRIPTION	Q'TY						I	R
				(A)	(B)	(C)	(D)	(E)	(F)		
1	1	194145-11801-X	PIN ASSY, KING	2							
2	1	22512-100340	KEY 10X 34	2							
3	1	194145-11860	SEAL TC 385209, OIL	2							
4	1	1A1030-12200	BALL BEARING	2							
4-1	1	24520-511060	THRUST BEARING	2							N
(A=*1990.07)											
5	1	194990-57740	O-RING 30X2.4	2							
6	1	194145-11820	COVER, KING PIN	2							
7	1	194130-12720	SEAL TC6 406219, OIL	2							
8	1	194145-11920	ROLLER BEARING	2							
9	1	194145-11910	ROLLER BEARING	2							
9-1	1	24141-302050	ROLLER BEARING	2							N
(A=*1987.12)											
10	1	194145-11970	WASHER T=3	2							1
11	1	194145-11980	WASHER T=3	2							1
12	1	194145-11990	WASHER T=3	2							1
13	1	194145-11870	CASTLE NUT	2							
14	1	22417-400450	COTTER PIN 4.0X45	2							
15	1	794145-12900-P	TIRE ASSY 5.5X16	2							
16	2	194145-12800	TIRE W/TUBE 5 X16	2							
17	3	194145-12810	TIRE 5.5X 16	2							
18	3	194145-12820	TUBE 5.50-16	2							
19	2	194145-12900-P	WHEEL DC4.00E-16	2							
20	1	26013-140252	BOLT M14X 25	12							
20-1	1	194180-12650	BOLT M14X 25	12							N
(A=*1982.02)											
20-2	1	194278-12650	BOLT W/WASHER M14X25	12							N
(A=*1985.12)											
21	1	22217-120000	WASHER 12,SPRING	2							
22	1	194145-12310-X	TIE-ROD	1							
23	1	194145-12322	CLAMP, TIE-ROD	4							
24	1	22417-250250	COTTER PIN 2.5X25	4							
25	1	194145-12331	BOLT M10X 50	4							
26	1	26836-100002	CASTLE NUT M10	4							
26-1	1	26837-100002	CASTLE NUT M10	4							R
(A=*)											
27	1	194145-12350-X	EXTENSION(R),TIE-ROD	1							
28	1	194145-12340-X	EXTENSION(L),TIE-ROD	1							
29	1	194990-22830	NUT M17	1							
30	1	194990-22840	NUT M17	1							
31	1	794730-57122-X	END(RL) ASSY,TIE-ROD	1							
31-1	1	198291-18130	END RL COMP.,TIE-ROD	1							N
(A=*1990.08)											
33-1	2	24764-060000	NIPPLE MT6X1,GREASE	1							
33-2	2	24761-060000	NIPPLE MT6X1, GREASE	1							R
(A=*)											
34	2	194730-57241	NUT M12	1							
35	2	22417-300250	COTTER PIN 3.0X 25	1							
36	2	194730-57220	COVER, DUST	1							
37	1	794730-57132-X	END(LR) ASSY,TIE-ROD	1							
37-1	1	198291-18120	END LR COMP.,TIE-ROD	1							N

N:Old ↔ New, Q:Old ↔ New, R:Old ↔ New, S:Old ↔ New, W:Add, Z:Discontinued, F:Set Change, K:Q'ty Change  
++ CONTINUE ++  
(C)Copy Rights YANMAR CO.,LTD and YANMAR AGRICULTURAL EQUIPMENT CO.,LTD.

Fig.27. TIE-ROD & FRONT TIRE (YM330)

Fig. 27 TIE-ROD & FRONT TIRE FOR MODEL YM330



(A)=YM330  
(B)=YM330D  
(C)=

(D)=  
(E)=  
(F)=

REF.	LEV.	PARTS NO.	DESCRIPTION	Q'TY						I	R
				(A)	(B)	(C)	(D)	(E)	(F)		
(A=*1990.08)											
39-1	2	24764-060000	NIPPLE MT6X1,GREASE	1							
39-2	2	24761-060000	NIPPLE MT6X1, GREASE	1						R	
(A=*1989.11)											
40	2	194730-57241	NUT M12	1							
41	2	22417-300250	COTTER PIN 3.0X 25	1							
42	2	194730-57220	COVER, DUST	1							
43	1	194145-12611-X	HUB, FRONT WHEEL	2							
44	1	194145-12630	GASKET	2							
45	1	194145-12640-X	CAP, FRONT WHEEL HUB	2							
46	1	26116-060122	BOLT M 6X 12	8							
46-1	1	26106-060102	BOLT M 6X 10 PLATED	8						N	
(A=*1989.11)											
47	1	22217-060000	SPRING WASHER 6	8						Z	
(A=*1989.11)											
48	1	194145-11930	SHIM	2							
49	1	194145-12110-X	ARM, KNUCKLE L	1							
49-1	1	194145-12111-X	ARM, KNUCKLE L	1						S 2	
(A=*1980.10)											
50	1	194145-12120-X	ARM, KNUCKLE R	1							
51	1	26116-120602	BOLT M12X 60 PLATED	2							
52-1	1	194464-12190	CAP (RUBBER)	1						W	
(A=*1980.10)											

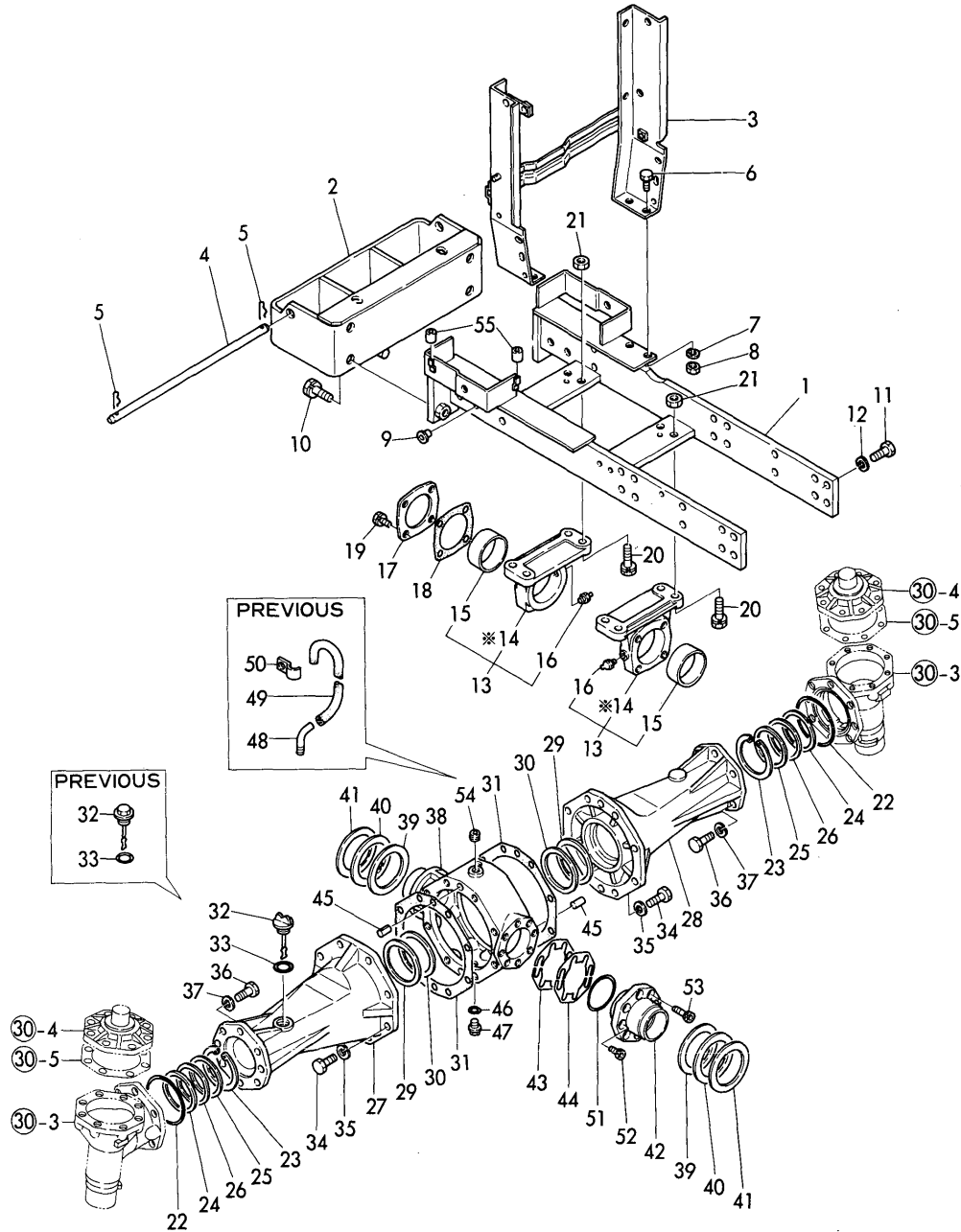
\*-MARK PARTS: NOT SOLD SEPARATELY.

N:Old ↔ New, Q:Old ↔ New, R:Old ↔ New, S:Old ↔ New, W:Add, Z:Discontinued, F:Set Change, K:Q'ty Change  
(C)Copy Rights YANMAR CO.,LTD and YANMAR AGRICULTURAL EQUIPMENT CO.,LTD.



Fig.28. FRONT AXLE(A)(FOR MODEL YM330D

Fig.28 FRONT AXLE (A), FOR MODEL YM330D



(A)=YM330  
(B)=YM330D  
(C)=

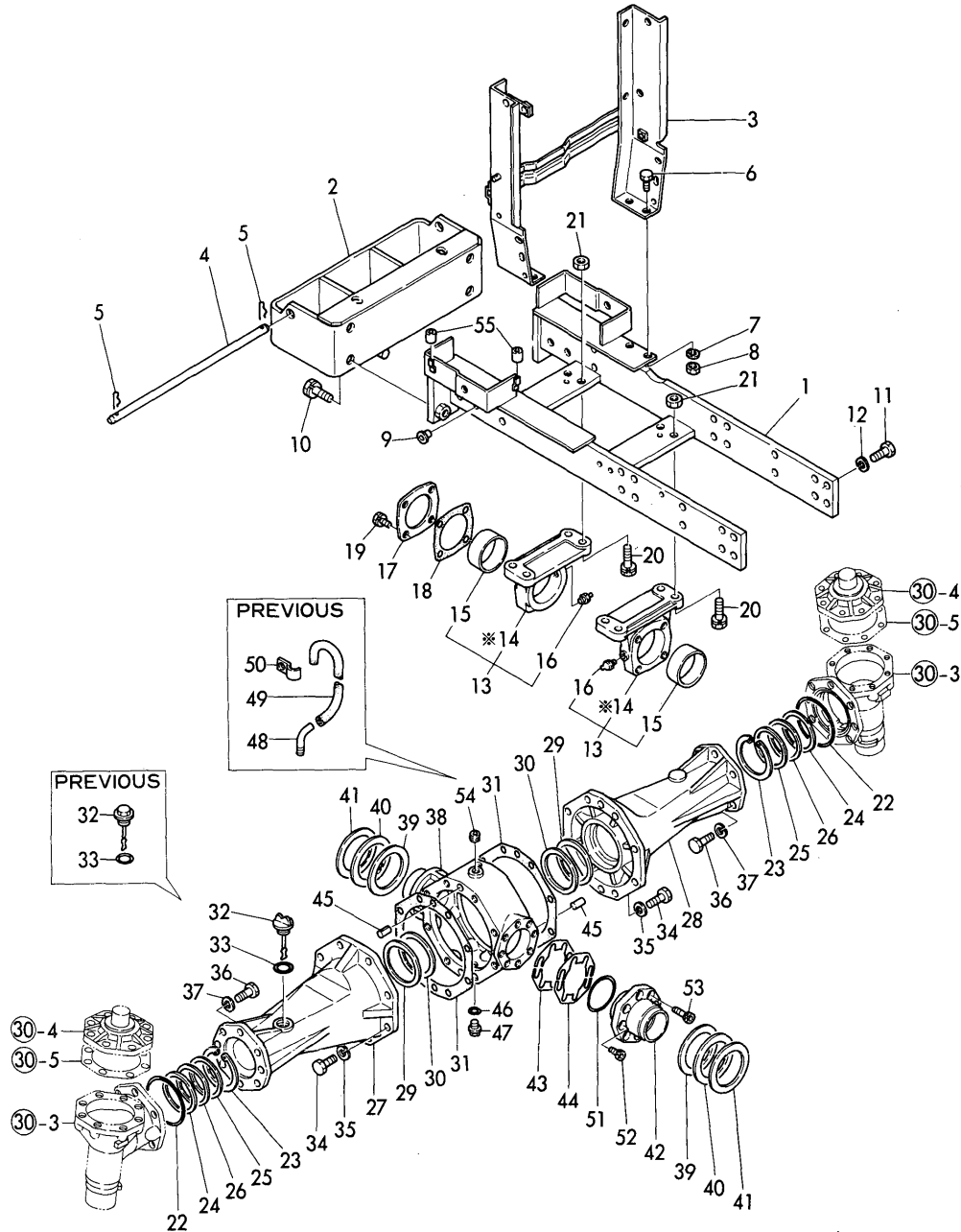
(D)=  
(E)=  
(F)=

REF.	LEV.	PARTS NO.	DESCRIPTION	Q'TY						I	R
				(A)	(B)	(C)	(D)	(E)	(F)		
1	1	194321-11110-X	BRACKET, FRONT AXLE	1							
1-1	1	194321-11111-X (B=*1980.06)	BRACKET, FRONT AXLE	1							R
1-2	1	194321-11112 (B=*1983.09)	BRACKET, FRONT AXLE	1							N
1-3	1	194376-11110-X (B=*1984.05)	BRACKET, FRONT AXLE	1							N
2	1	194145-11120-X	HITCH, FRONT	1							
2-1	1	194322-11120-X (B=*1983.07)	HITCH, FRONT	1							N
3	1	194370-11130-X	BRACKET, RADIATOR	1							
3-1	1	194370-11150 (B=*1985.08)	BRACKET, RADIATOR	1							S
3A	1	194464-11171 (B=*1985.08)	SEAL, RADIATOR	4							W
3B	1	194440-01550 (B=*1985.08)	GROMMET	2							W
3C	1	26013-100252 (B=*1985.08)	BOLT W/WASHER M10X25	4							W
3C-1	1	26106-100252 (B=*1990.05)	BOLT M10X 25 PLATED	4							N
4	1	194145-11140	PIN, LOCK	1							
5	1	22360-160000	SNAP PIN 16	2							
6	1	26116-100252	BOLT M10X 25 PLATED	4							
6-1	1	26013-100252 (B=*1983.07)	BOLT W/WASHER M10X25	4							S
6-2	1	26106-100252 (B=*1990.05)	BOLT M10X 25 PLATED	4							N
7	1	22217-100000 (B=*1985.08)	SPRING WASHER 10	4							Z
8	1	26716-100002 (B=*1985.08)	NUT M10	4							Z
9	1	194150-24270	SCREW CAP 13	4							
10	1	26013-140452	BOLT M14X 45	4							
10-1	1	26013-140352 (B=*1985.08)	BOLT W/WASHER M14X35	4							S
11	1	26116-120322	BOLT M12X 32 PLATED	16							
11A	1	26013-120302	BOLT W/WASHER M12X30	2							
12	1	22217-120000	WASHER 12,SPRING	16							
13	1	194321-11600-X	SUPPORT	2							
13-1	1	194321-11601 (B=*1987.02)	SUPPORT	2							N
15	2	194321-11620	BUSH 75X80X30	2							
15-1	2	194376-11620 (B=*1987.02)	BUSH 75X80X27	2							N
15A	2	194376-11650 (B=*1987.02)	SEAL VB 758004, OIL	2							W
16	2	24764-010000	NIPPLE M6F, GREASE	2							
16-1	2	24761-010000 (B=*)	NIPPLE M6F, GREASE	2							R
17	1	194321-11630-X	COVER	1							

N:Old ↔ New, Q:Old ↔ New, R:Old ↔ New, S:Old ↔ New, W:Add, Z:Discontinued, F:Set Change, K:Q'ty Change  
++ CONTINUE ++  
(C)Copy Rights YANMAR CO.,LTD and YANMAR AGRICULTURAL EQUIPMENT CO.,LTD.

Fig.28. FRONT AXLE(A)(FOR MODEL YM330D

Fig.28 FRONT AXLE (A), FOR MODEL YM330D



(A)=YM330  
(B)=YM330D  
(C)=

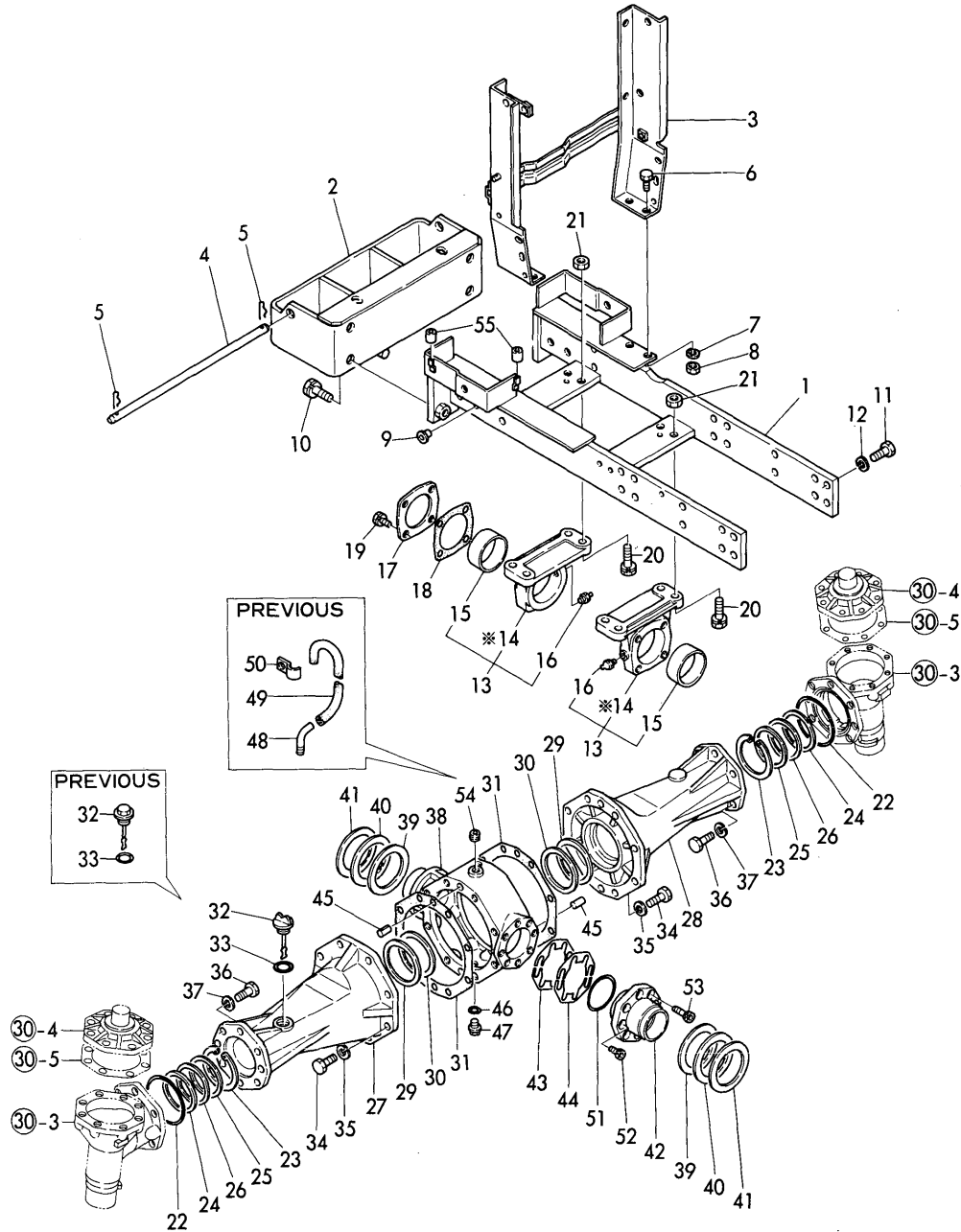
(D)=  
(E)=  
(F)=

REF.	LEV.	PARTS NO.	DESCRIPTION	Q'TY						I	R
				(A)	(B)	(C)	(D)	(E)	(F)		
18	1	194321-11640	GASKET		1						
19	1	26013-080162	BOLT W/WASHER M8X16		4						
19-1	1	26106-080162	BOLT M 8X 16 PLATED		4						N
(B=*1990.05)											
20	1	26013-140452	BOLT M14X 45		8						
21	1	26756-140002	LOCK NUT M14 PLATED		8						
22	1	24321-001000	O-RING 1A G-100.0		2						
23	1	22252-000850	CIRCLIP 85		2						
24	1	194321-13680	SPACER 85X1		2						
25	1	194321-13640	SHIM A		4						1
26	1	194321-13650	SHIM B		4						1
27	1	194321-13610-X	CASE (L), FRONT AXLE		1						
28	1	194321-13940-X	CASE (R), FRONT AXLE		1						
29	1	194321-13660	SHIM A		4						1
30	1	194321-13670	SHIM B		4						1
31	1	194321-13620	GASKET		2						
32	1	194321-13630	PLUG		1						
32-1	1	194313-13630	PLUG 20		1						R
(B=*1980.06)											
33	1	24311-000220	O-RING 1A P-22.0		1						
34	1	194274-13550	BOLT M10X 30		16						
34-1	1	194491-13550	BOLT M10X 30		16						N
(B=*1987.01)											
35	1	194274-13570	SPRING WASHER 10		16						
36	1	194274-13560	BOLT M12X 30		12						
37	1	194274-13580	SPRING WASHER 12		12						
38	1	194321-13410-X	BOX ASSY, CENTER		1						
39	1	194321-13420	WASHER T=2.0		2						1
40	1	194321-13400	WASHER T=2.3		2						1
41	1	194321-13460	WASHER T=2.6		2						1
42	1	194321-13450-X	RETAINER		1						
43	1	194321-13471	SHIM		4						1
44	1	194321-13481	SHIM		4						1
45	1	22351-080018	SPRING PIN 8X18		4						
46	1	24311-000160	O-RING 1A P-16.0		1						
47	1	194151-24770	PLUG 14, OIL		1						
47-1	1	23491-140002	PLUG 14		1						R
(B=*1986.12)											
48	1	194441-13460-X	BREATHER		1						Z
(B=*1980.05)											
49	1	23064-100450	PIPE 10X 450		1						Z
(B=*1980.05)											
50	1	194150-51610	CLAMP, HARNESS		1						Z
(B=*1980.05)											
51	1	24341-000700	O-RING 1A S-70.0		1						
52	1	26450-080182	BOLT M 8X 18		2						
53	1	26450-080222	BOLT M 8X 22		6						
54	1	23873-010000	PLUG PT 1/8		1						W
(B=*1980.05)											
54-1	1	23873-010000	PLUG PT 1/8		1						Z
(B=*1987.12)											

N:Old ↔ New, Q:Old ↔ New, R:Old ↔ New, S:Old ↔ New, W:Add, Z:Discontinued, F:Set Change, K:Q'ty Change  
++ CONTINUE ++  
(C)Copy Rights YANMAR CO.,LTD and YANMAR AGRICULTURAL EQUIPMENT CO.,LTD.

Fig.28. FRONT AXLE(A)(FOR MODEL YM330D

Fig. **28** FRONT AXLE (A), FOR MODEL YM330D



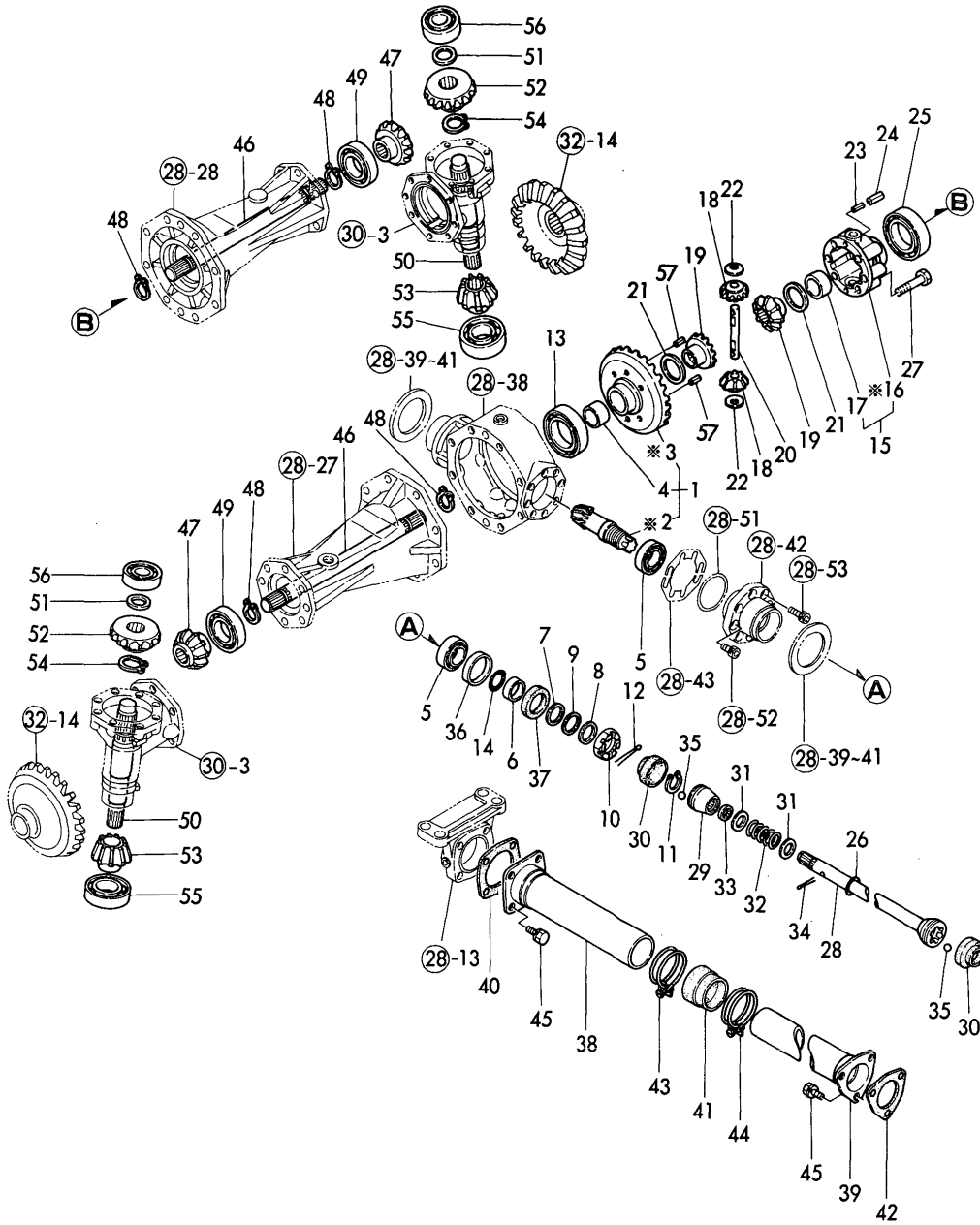
(A)=YM330  
(B)=YM330D  
(C)=

(D)=  
(E)=  
(F)=

REF.	LEV.	PARTS NO.	DESCRIPTION	Q'TY						I	R	
				(A)	(B)	(C)	(D)	(E)	(F)			
55	1	23061-070035	PIPE 7X 35 (B=*1980.05)		2							W

Fig.29. FRONT AXLE(B)(FOR MODEL YM330D

Fig. **29** FRONT AXLE (B), FOR MODEL YM330D



(A)=YM330  
(B)=YM330D  
(C)=

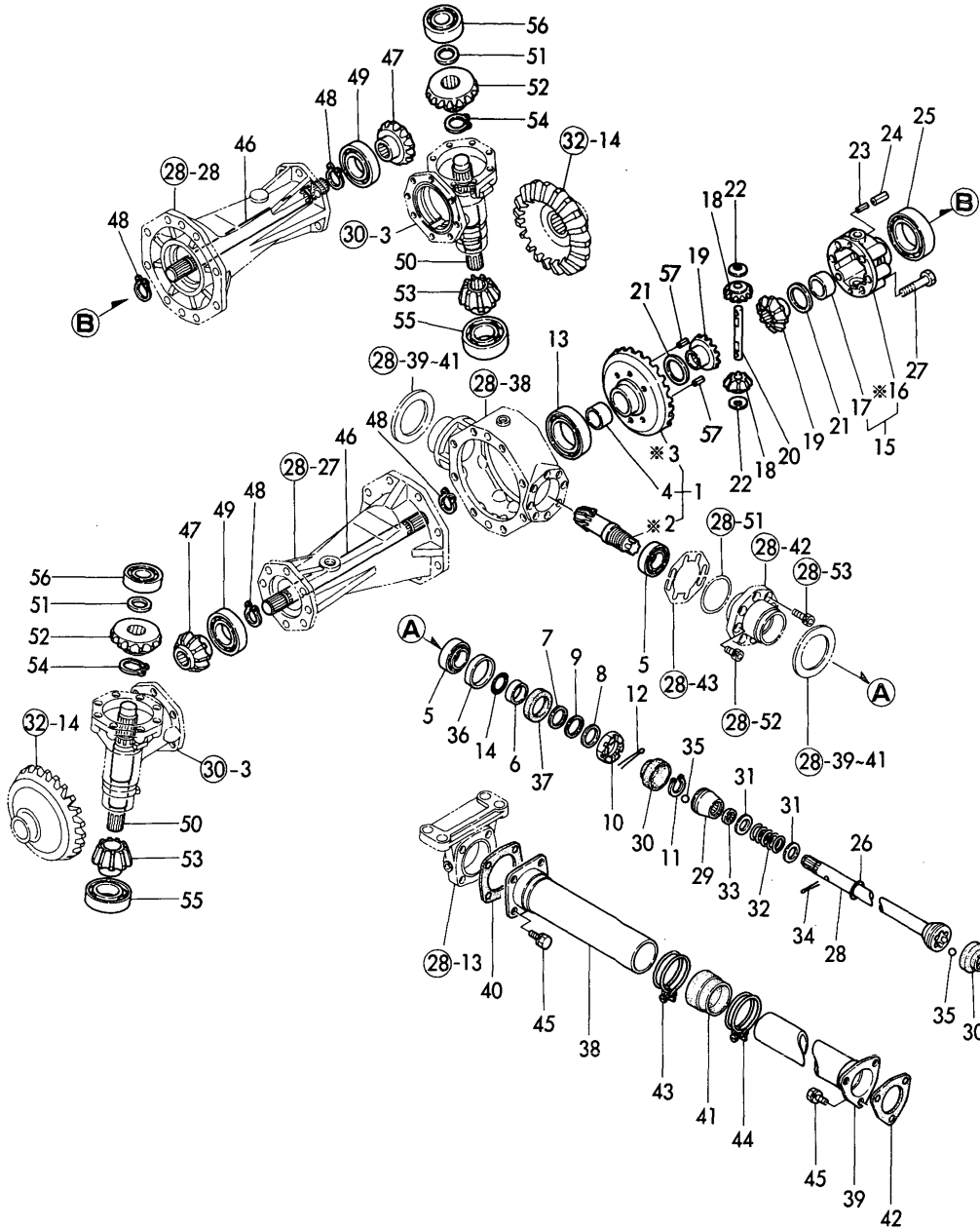
(D)=  
(E)=  
(F)=

REF.	LEV.	PARTS NO.	DESCRIPTION	Q'TY						I	R
				(A)	(B)	(C)	(D)	(E)	(F)		
1	1	194321-13100	GEAR ASSY, RING		1						
4	2	194281-31490	BUSH 40X2X22.5		1						
5	1	194321-13160	ROLLER BEARING		2						
5-1	1	194145-11920	ROLLER BEARING		2						N
		(B=*1980.06)									
6	1	194321-13170	COLLAR, SEAL		1						
7	1	194321-13130	SHIM (A)		1						1
8	1	194321-13140	SHIM (B)		1						1
9	1	194321-13150	SHIM (C)		1						1
10	1	194321-13180	CASTLE NUT		1						
11	1	22242-000300	CIRCLIP 30		1						
12	1	22417-400500	COTTER PIN 4.0X50		1						
12-1	1	22417-400400	COTTER PIN 4.0X40		1						R
		(B=*)									
13	1	24101-060124	BALL BEARING		1						
14	1	24341-000300	O-RING 1A S-30.0		1						
15	1	194321-13200	CASE ASSY, DIFF.		1						
17	2	194281-31490	BUSH 40X2X22.5		1						
18	1	194321-13230	PINION, DIFFERENTIAL		2						
19	1	194321-13250	GEAR, DIFF. SIDE		2						
20	1	194321-13270	SHAFT, DIFF. PINION		1						
21	1	194281-31570	WASHER, DIFFERENTIAL		2						
21-1	1	194465-13260	WASHER		2						N
		(B=*1987.12)									
22	1	194281-31580	WASHER, DIFFERENTIAL		2						
22-1	1	194465-13240	LINER, DIFFERENTIAL		2						N
		(B=*1987.12)									
23	1	22351-035032	SPRING PIN 3.5X32		1						
24	1	22351-060032	SPRING PIN 6X32		1						
25	1	24101-060124	BALL BEARING		1						
26	1	24311-000220	O-RING 1A P-22.0		1						
27	1	194321-13290	BOLT M10X 72		6						
27-1	1	194323-13290	BOLT M10X 70		6						N
		(B=*1982.12)									
28	1	194274-13300	SHAFT ASSY, PROPELLER		1						
29	1	194321-13340	COUPLING		1						
30	1	194321-13350	BOOT, RUBBER		2						
30-1	1	194321-13350	BOOT, RUBBER		1						K
		(B=*1986.02)									
30A	1	194274-13340	BOOT, RUBBER		1						W
		(B=*1986.02)									
31	1	194321-13360	WASHER		2						
31-1	1	194321-13360	WASHER		1						K
		(B=*1986.02)									
32	1	194321-13370	SPRING		1						
33	1	194321-13380	SEAL, SPLINE SHAFT		1						
34	1	22417-400500	COTTER PIN 4.0X50		1						
34-1	1	22417-400400	COTTER PIN 4.0X40		1						R
		(B=*)									
35-1	1	24190-110001	BALL 11/32, STEEL		12						
36	1	194321-13440	SPACER 62		1						

N:Old ↔ New, Q:Old ↔ New, R:Old ↔ New, S:Old ↔ New, W:Add, Z:Discontinued, F:Set Change, K:Q'ty Change  
 ++ CONTINUE ++ (C)Copy Rights YANMAR CO.,LTD and YANMAR AGRICULTURAL EQUIPMENT CO.,LTD.

Fig.29. FRONT AXLE(B)(FOR MODEL YM330D

Fig.29 FRONT AXLE (B), FOR MODEL YM330D



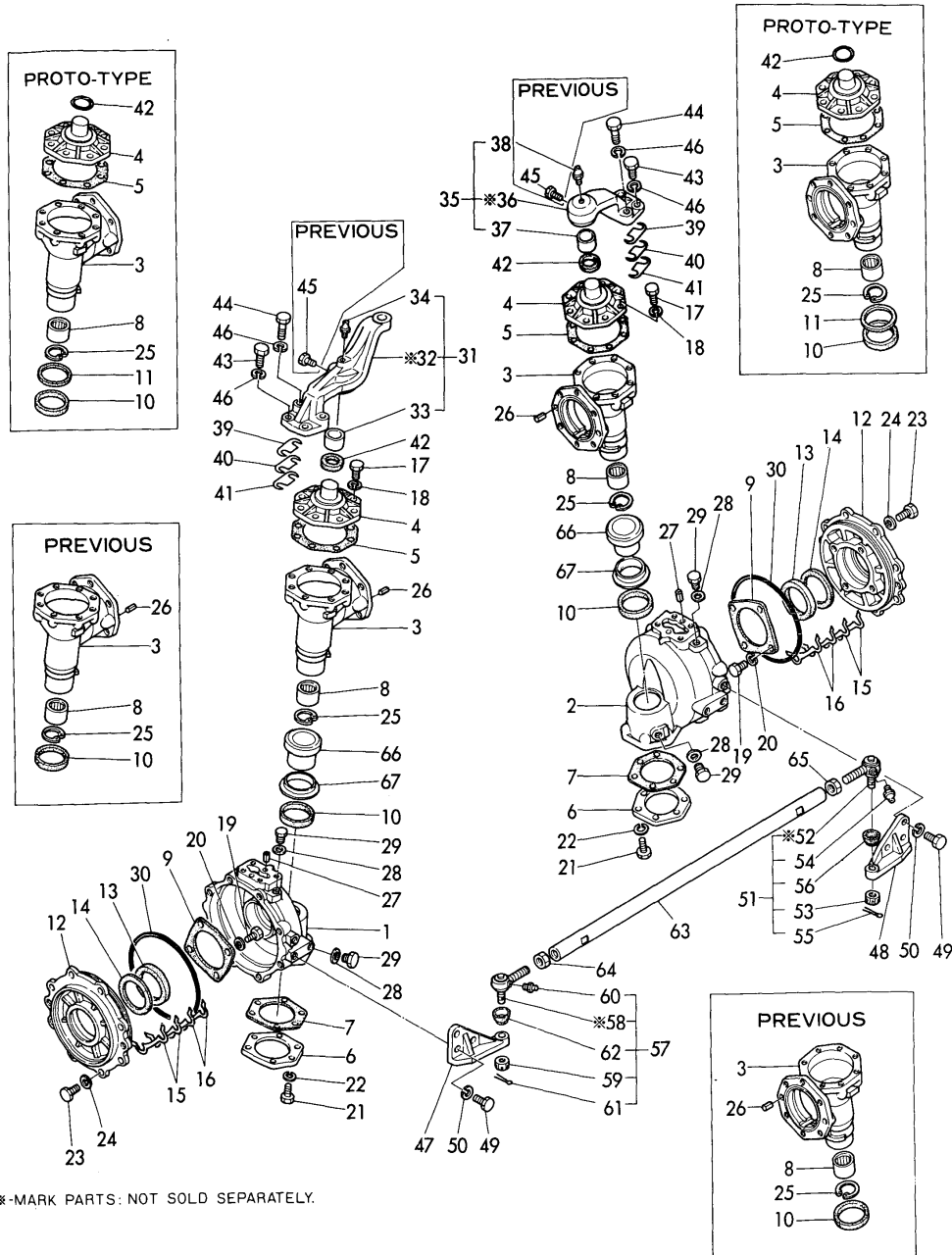
(A)=YM330  
(B)=YM330D  
(C)=

(D)=  
(E)=  
(F)=

REF.	LEV.	PARTS NO.	DESCRIPTION	Q'TY						I	R
				(A)	(B)	(C)	(D)	(E)	(F)		
37	1	194321-13490	SEAL TC45 62 9, OIL		1						
37-1	1	24421-456209	SEAL TC 456209, OIL		1						R
				(B=*1985.04)							
38	1	194321-14610-X	COVER, FRONT SHAFT		1						
39	1	194274-14620-X	COVER, REAR SHAFT		1						
40	1	194321-11640	GASKET		1						
41	1	194321-14650	BOOT, RUBBER		1						
42	1	194321-14660	GASKET		1						
43	1	23010-075000	CLAMP 75		1						
44	1	23010-068000	CLAMP 68		1						
45	1	26013-080162	BOLT W/WASHER M8X16		7						
45-1	1	26106-080162	BOLT M 8X 16 PLATED		7						N
				(B=*1990.05)							
46	1	194321-13510	SHAFT, FRONT DRIVE		2						
47	1	194321-13520	PINION, DRIVE SHAFT		2						
47-1	1	194321-13521	PINION, DRIVE SHAFT		2						S
				(B=*1981.09)							
48	1	22242-000280	CIRCLIP 28		4						
49	1	24101-062094	BALL BEARING		2						
50	1	194321-13850	SHAFT (2ND), FRONT		2						
51	1	194321-13870	COLLAR 30.5X50		2						
52	1	194321-13880	GEAR, FRONT SHAFT		2						
52-1	1	194321-13881	GEAR, FRONT SHAFT		2						S
				(B=*1981.09)							
53	1	194321-13890	PINION, FRONT FINAL		2						
53-1	1	194321-13891	PINION, FRONT FINAL		2						R
				(B=*1981.09)							
54	1	22242-000340	CIRCLIP 34		2						
55	1	24101-062094	BALL BEARING		2						
56	1	24104-063064	BALL BEARING		2						
57	1	22312-080200	PARALLEL PIN 8X20		2						W
				(B=*1982.12)							

Fig.30. FRONT AXLE(C),(YM330D,USA)

Fig.30 FRONT AXLE (C-1), FOR MODEL YM330D



※-MARK PARTS: NOT SOLD SEPARATELY.

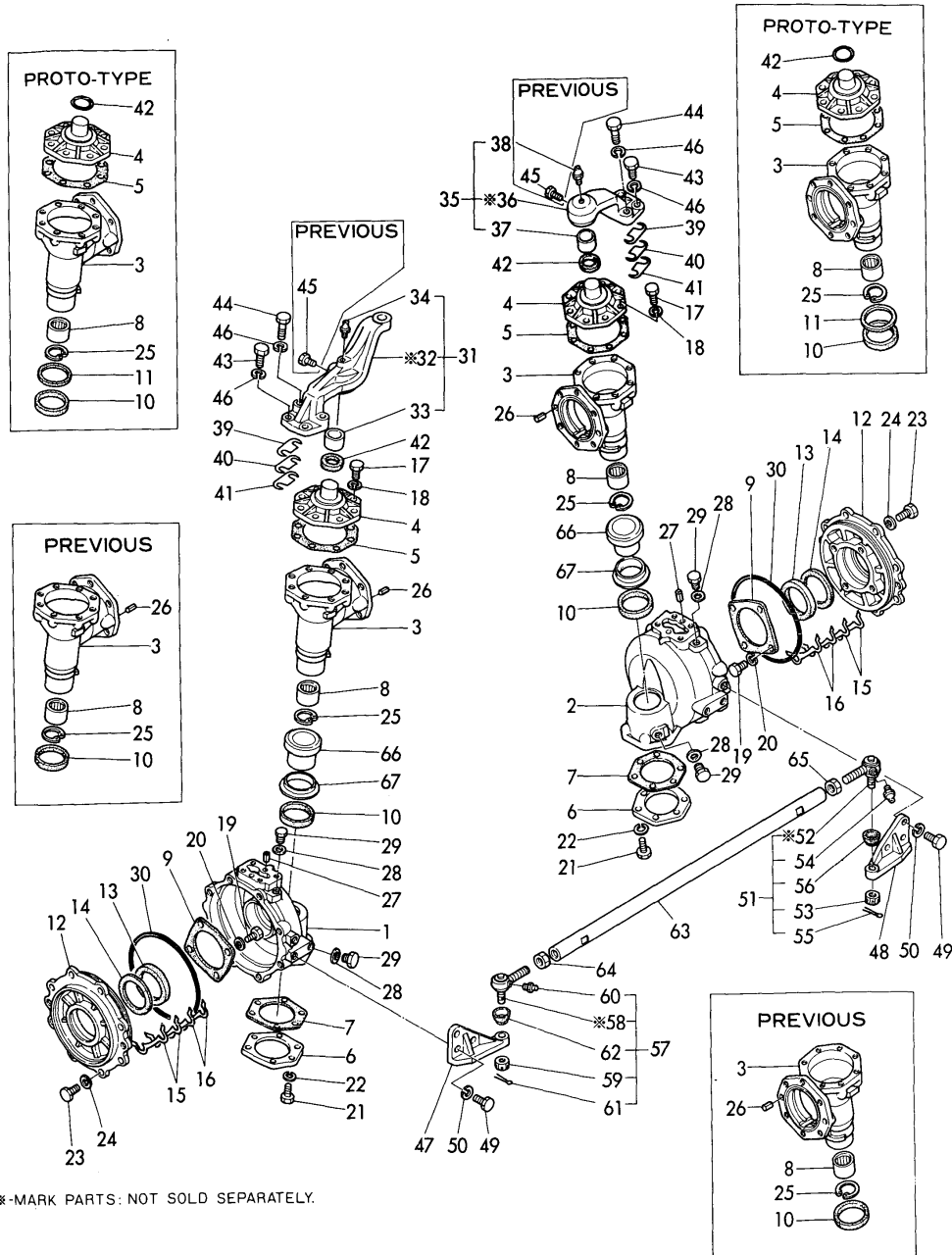
(A)=YM330  
(B)=YM330D  
(C)=

(D)=  
(E)=  
(F)=

REF.	LEV.	PARTS NO.	DESCRIPTION	Q'TY						I	R
				(A)	(B)	(C)	(D)	(E)	(F)		
1	1	194321-13740-X	CASE (L), FRONT GEAR	1							
1-1	1	194321-13741-X (B=*1982.04)	BOX (L), FRONT GEAR	1							S
2	1	194321-13910-X	CASE (R), FRONT GEAR	1							
2-1	1	194321-13911-X (B=*1982.04)	CASE (R), FRONT GEAR	1							S
3	1	194321-13700-X	CASE ASSY,FRONT GEAR	2							
4	1	194321-13720-X	COVER, GEAR CASE	2							
5	1	194321-13730	GASKET, COVER	2							
6	1	194321-13750-X	COVER, F. GEAR CASE	2							
7	1	194321-13760	GASKET, COVER	2							
8	1	194321-13860	NEEDLE BEARING	2							
9	1	194321-13900	PLATE	2							
10	1	194321-13920	SEAL TC60 75 9, OIL	2							
10-1	1	194465-13920 (B=T/# 00657)	SEAL TC6Y 607513 OIL	2							N 1
10-2	1	194274-13920 (B=*1982.04)	SEAL TC6Y 648013,OIL	2							S
11	1	194321-13930	SEAL VC60 75 6, OIL	2							
11-1	1	194321-13930 (B=T/# 00657)	SEAL VC60 75 6, OIL	2							Z 1
12	1	194321-13950	CASE, BEARING	2							
13	1	194321-13960	SEAL TC 658812, OIL	2							
13-1	1	24421-658812 (B=*1985.04)	SEAL TC 658812, OIL	2							R
14	1	194321-13970	SEAL VC 658805, OIL	2							
14-1	1	24430-658805 (B=*1985.04)	SEAL VC 658805, OIL	2							R
15	1	194321-13980	SHIM (A)	16							2
16	1	194321-13990	SHIM (B)	16							2
17	1	26116-080222	BOLT M 8X 22 PLATED	16							
17-1	1	194491-13780 (B=*1987.01)	BOLT M 8X 22 PLATED	16							N
18	1	22217-080000	SPRING WASHER 8	16							
18-1	1	194421-13650 (B=*1987.01)	SPRING WASHER 8	16							N
19	1	26116-080222	BOLT M 8X 22 PLATED	8							
19-1	1	26116-080202 (B=*1982.04)	BOLT M 8X 20 PLATED	8							R
20	1	22217-080000	SPRING WASHER 8	8							
21	1	26116-080222	BOLT M 8X 22 PLATED	12							
22	1	22217-080000	SPRING WASHER 8	12							
23	1	26116-100302	BOLT M10X 30 PLATED	16							
24	1	22217-100000	SPRING WASHER 10	16							
25	1	22262-000450	CIRCLIP R-45	2							
26	1	22351-100018	SPRING PIN 10X18	4							
27	1	22351-100018	SPRING PIN 10X18	4							
27-1	1	22312-100180 (B=*1987.01)	PARALLEL PIN 10X 18	4							N
28	1	23414-140000	GASKET 14, ROUND	4							
29	1	23883-140002	PLUG 14	4							

Fig.30. FRONT AXLE(C),(YM330D,USA)

Fig.30 FRONT AXLE (C-1), FOR MODEL YM330D



\*-MARK PARTS: NOT SOLD SEPARATELY.

(A)=YM330  
(B)=YM330D  
(C)=

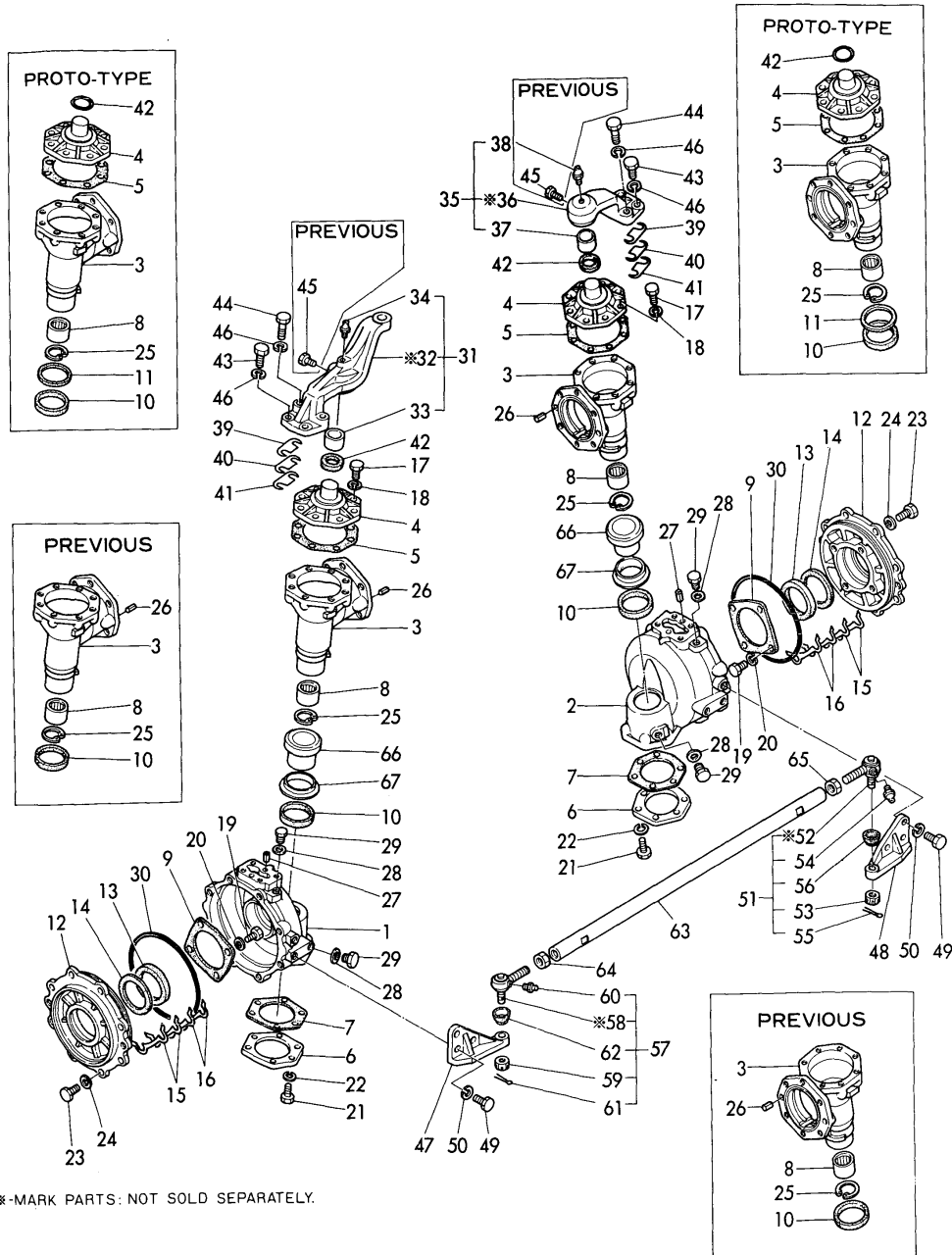
(D)=  
(E)=  
(F)=

REF.	LEV.	PARTS NO.	DESCRIPTION	Q'TY						I	R
				(A)	(B)	(C)	(D)	(E)	(F)		
29-1	1	23887-140002	PLUG 14 (B=*)		4						R
30	1	24321-002000	O-RING 1A G-200.0		2						
31	1	194321-11901-X	ARM(L) ASSY,STEERING		1						
33	2	194321-11921	BUSH 35X39X20		1						
34	2	24764-010000	NIPPLE M6F, GREASE		1						
34-1	2	24761-010000	NIPPLE M6F, GREASE (B=*)		1						R
35	1	194321-11950-X	ARM(R) ASSY,STEERING		1						
37	2	194321-11921	BUSH 35X39X20		1						
38	2	24764-010000	NIPPLE M6F, GREASE		1						
39	1	194321-11970	SHIM		2						2
40	1	194321-11980	SHIM		2						2
41	1	194321-11990	SHIM		2						2
42	1	24311-000350	O-RING 1A P-35.0		2						
42-1	1	194321-11940	SEAL VB 354105, OIL (B=T/# 00408)		2						S
43	1	26116-100282	BOLT M10X 28 PLATED		4						
43-1	1	194465-11930	BOLT M10X 28 (B=*1987.01)		4						N
44	1	26116-100402	BOLT M10X 40 PLATED		4						
44-1	1	194465-11920	BOLT M10X 40 (B=*1987.01)		4						N
45	1	26116-060082	BOLT M 6X 8 PLATED (B=T/# 00408)		2						Z
46	1	22217-100000	SPRING WASHER 10		8						
46-1	1	194274-13570	SPRING WASHER 10 (B=*1987.01)		8						N
47	1	194321-12110-X	ARM (L), KNUCKLE		1						
48	1	194321-12210-X	ARM (R), KNUCKLE		1						
49	1	26116-100282	BOLT M10X 28 PLATED		6						
49-1	1	194274-13550	BOLT M10X 30 (B=*1987.01)		6						N
50	1	22217-100000	SPRING WASHER 10		6						
50-1	1	194274-13570	SPRING WASHER 10 (B=*1987.01)		6						N
51	1	794730-57122-X	END(RL) ASSY,TIE-ROD		1						
51-1	1	194730-57120	END(RL) ASSY,TIE-ROD (B=*1986.01)		1						N
53	2	194730-57241	NUT M12		1						
54-1	2	24764-060000	NIPPLE MT6X1,GREASE		1						
54-2	2	24761-060000	NIPPLE MT6X1, GREASE (B=*)		1						R
55	2	22417-300250	COTTER PIN 3.0X 25		1						
56	2	194730-57220	COVER, DUST		1						
57	1	794730-57132-X	END(LR) ASSY,TIE-ROD		1						
57-1	1	194730-57130	END(LR) ASSY,TIE-ROD (B=*1986.01)		1						N
59	2	194730-57241	NUT M12		1						
60-1	2	24764-060000	NIPPLE MT6X1,GREASE		1						
60-2	2	24761-060000	NIPPLE MT6X1, GREASE		1						R

N:Old ↔ New, Q:Old ↔ New, R:Old ↔ New, S:Old ↔ New, W:Add, Z:Discontinued, F:Set Change, K:Q'ty Change  
++ CONTINUE ++  
(C)Copy Rights YANMAR CO.,LTD and YANMAR AGRICULTURAL EQUIPMENT CO.,LTD.

Fig.30. FRONT AXLE(C),(YM330D,USA)

Fig.30 FRONT AXLE (C-1), FOR MODEL YM330D



※-MARK PARTS: NOT SOLD SEPARATELY.

(A)=YM330  
(B)=YM330D  
(C)=

(D)=  
(E)=  
(F)=

REF.	LEV.	PARTS NO.	DESCRIPTION	Q'TY						I	R
				(A)	(B)	(C)	(D)	(E)	(F)		
			(B=*)								
61	2	22417-300250	COTTER PIN 3.0X 25		1						
62	2	194730-57220	COVER, DUST		1						
63	1	194321-12310-X	TIE-ROD		1						
64	1	194990-22830	NUT M17		1						
65	1	194990-22840	NUT M17		1						
66	1	194274-13900	SLEEVE 60X64X28		2					W	
			(B=*1982.04)								
66-1	1	194279-13900	SLEEVE 60X64X28		2					N	
			(B=*1984.08)								
67	1	194274-13910	COLLAR 68X79X11.5		2					W	
			(B=*1982.04)								
68	1	794274-13701	BOX ASSY, FRONT GEAR		1					W	3
			(B=*)								
69	2	794274-13711	BOX ASSY, FRONT GEAR		1					W	3
			(B=*)								
70	3	194321-13741	BOX (L), FRONT GEAR		1					W	
			(B=*)								
71	3	194274-13910	COLLAR 68X79X11.5		1					W	
			(B=*)								
72	3	194274-13920	SEAL TC6Y 648013,OIL		1					W	
			(B=*)								
73	3	22351-100018	SPRING PIN 10X18		2					W	
			(B=*)								
74	2	794274-13721	BOX ASSY, FRONT GEAR		1					W	3
			(B=*)								
75	3	194274-13910	COLLAR 68X79X11.5		1					W	
			(B=*)								
76	3	194321-13911	BOX (R), FRONT GEAR		1					W	
			(B=*)								
77	3	194274-13920	SEAL TC6Y 648013,OIL		1					W	
			(B=*)								
78	3	22351-100018	SPRING PIN 10X18		2					W	
			(B=*)								
79	2	194321-13730	GASKET, COVER		2					W	
			(B=*)								
80	2	194321-13760	GASKET, COVER		2					W	
			(B=*)								
81	2	194279-13900	SLEEVE 60X64X28		2					W	
			(B=*)								
82	2	194274-14100	COLLAR 50X70X2		2					W	
			(B=*)								
83	2	194321-14490	BOND		1					W	
			(B=*)								

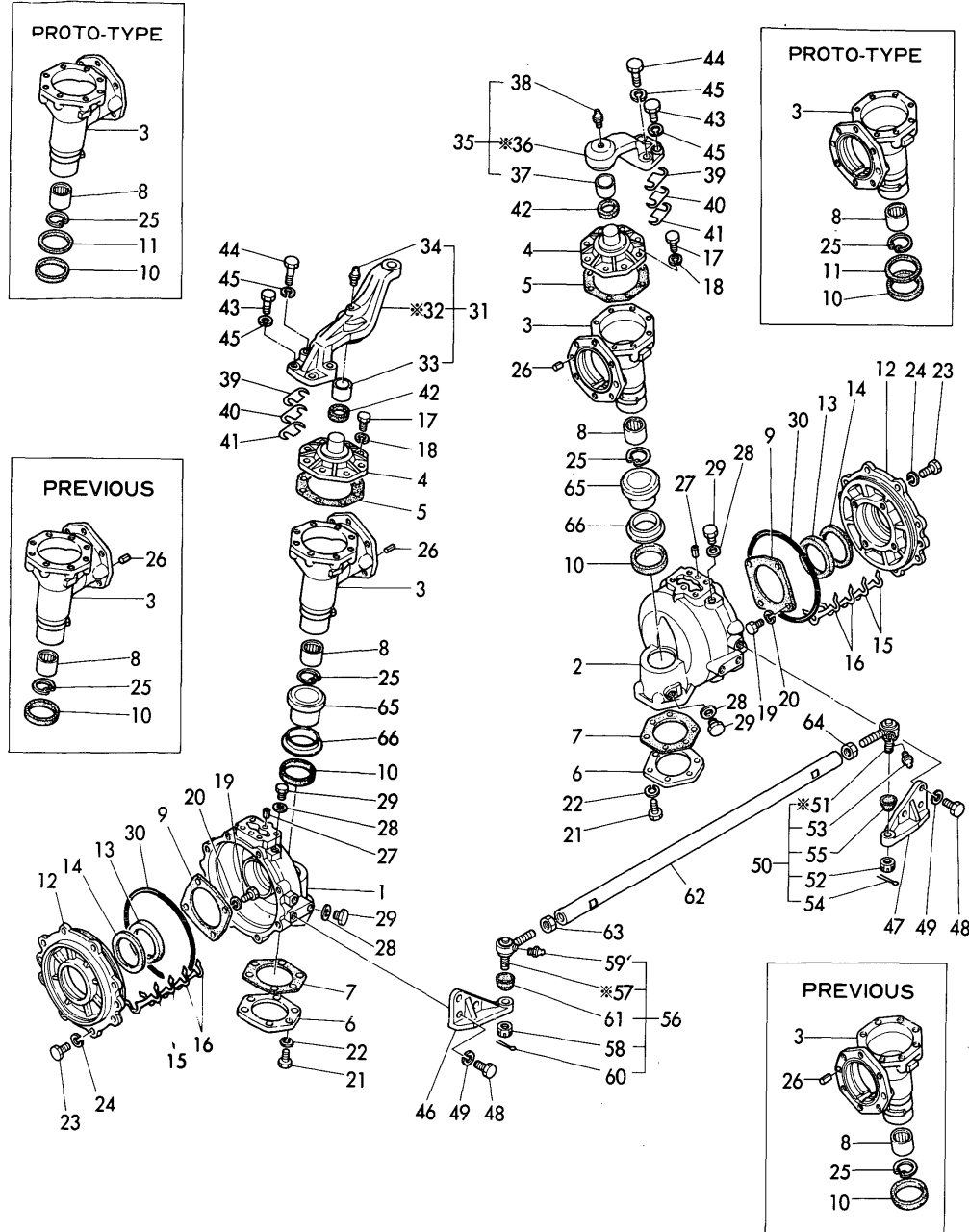


Fig.31. FRONT AXLE(C)(YM330D,PORTUGAL)

(A)=YM330  
(B)=YM330D  
(C)=

(D)=  
(E)=  
(F)=

Fig. 31 FRONT AXLE (C-2), FOR MODEL YM330D



REF.	LEV.	PARTS NO.	DESCRIPTION	Q'TY						I	R
				(A)	(B)	(C)	(D)	(E)	(F)		
1	1	194321-13740-X	CASE (L), FRONT GEAR		1						
2	1	194321-13910-X	CASE (R), FRONT GEAR		1						
3	1	194321-13700-X	CASE ASSY,FRONT GEAR		2						
4	1	194321-13720-X	COVER, GEAR CASE		2						
5	1	194321-13730	GASKET, COVER		2						
6	1	194321-13750-X	COVER, F. GEAR CASE		2						
7	1	194321-13760	GASKET, COVER		2						
8	1	194321-13860	NEEDLE BEARING		2						
9	1	194321-13900	PLATE		2						
10	1	194321-13920	SEAL TC60 75 9, OIL		2						
10-1	1	194465-13920	SEAL TC6Y 607513 OIL		2					S	1
11	1	194321-13930	SEAL VC60 75 6, OIL		2					Z	1
12	1	194321-13950	CASE, BEARING		2						
13	1	194321-13960	SEAL TC 658812, OIL		2						
14	1	194321-13970	SEAL VC 658805, OIL		2						
17	1	26116-080222	BOLT M 8X 22 PLATED		16						
18	1	22217-080000	SPRING WASHER 8		16						
19	1	26116-080222	BOLT M 8X 22 PLATED		8						
20	1	22217-080000	SPRING WASHER 8		8						
21	1	26116-080222	BOLT M 8X 22 PLATED		12						
22	1	22217-080000	SPRING WASHER 8		12						
23	1	26116-100302	BOLT M10X 30 PLATED		16						
24	1	22217-100000	SPRING WASHER 10		16						
25	1	22262-000450	CIRCLIP R-45		2						
26	1	22351-100018	SPRING PIN 10X18		4						
27	1	22351-100018	SPRING PIN 10X18		4						
28	1	23414-140000	GASKET 14, ROUND		4						
29	1	23883-140002	PLUG 14		4						
30	1	24321-002000	O-RING 1A G-200.0		2						
31	1	194321-11901-X	ARM(L) ASSY,STEERING		1						
33	2	194321-11921	BUSH 35X39X20		1						
34	2	24764-010000	NIPPLE M6F, GREASE		1						
35	1	194321-11950-X	ARM(R) ASSY,STEERING		1						
37	2	194321-11921	BUSH 35X39X20		1						
38	2	24764-010000	NIPPLE M6F, GREASE		1						
42	1	194321-11940	SEAL VB 354105, OIL		2						
43	1	26116-100282	BOLT M10X 28 PLATED		4						
44	1	26116-100402	BOLT M10X 40 PLATED		4						
45	1	22217-100000	SPRING WASHER 10		8						
46	1	194321-12110-X	ARM (L), KNUCKLE		1						
47	1	194321-12210-X	ARM (R), KNUCKLE		1						
48	1	26116-100282	BOLT M10X 28 PLATED		6						
49	1	22217-100000	SPRING WASHER 10		6						
50	1	794730-57122-X	END(RL) ASSY,TIE-ROD		1						
52	2	194730-57241	NUT M12		1						
53	2	194730-57411	GREASE NIPPLE A		1						3
53-1	2	24764-060000	NIPPLE MT6X1,GREASE		1						
54	2	22417-300250	COTTER PIN 3.0X 25		1						
55	2	194730-57220	COVER, DUST		1						
56	1	794730-57132-X	END(LR) ASSY,TIE-ROD		1						
58	2	194730-57241	NUT M12		1						

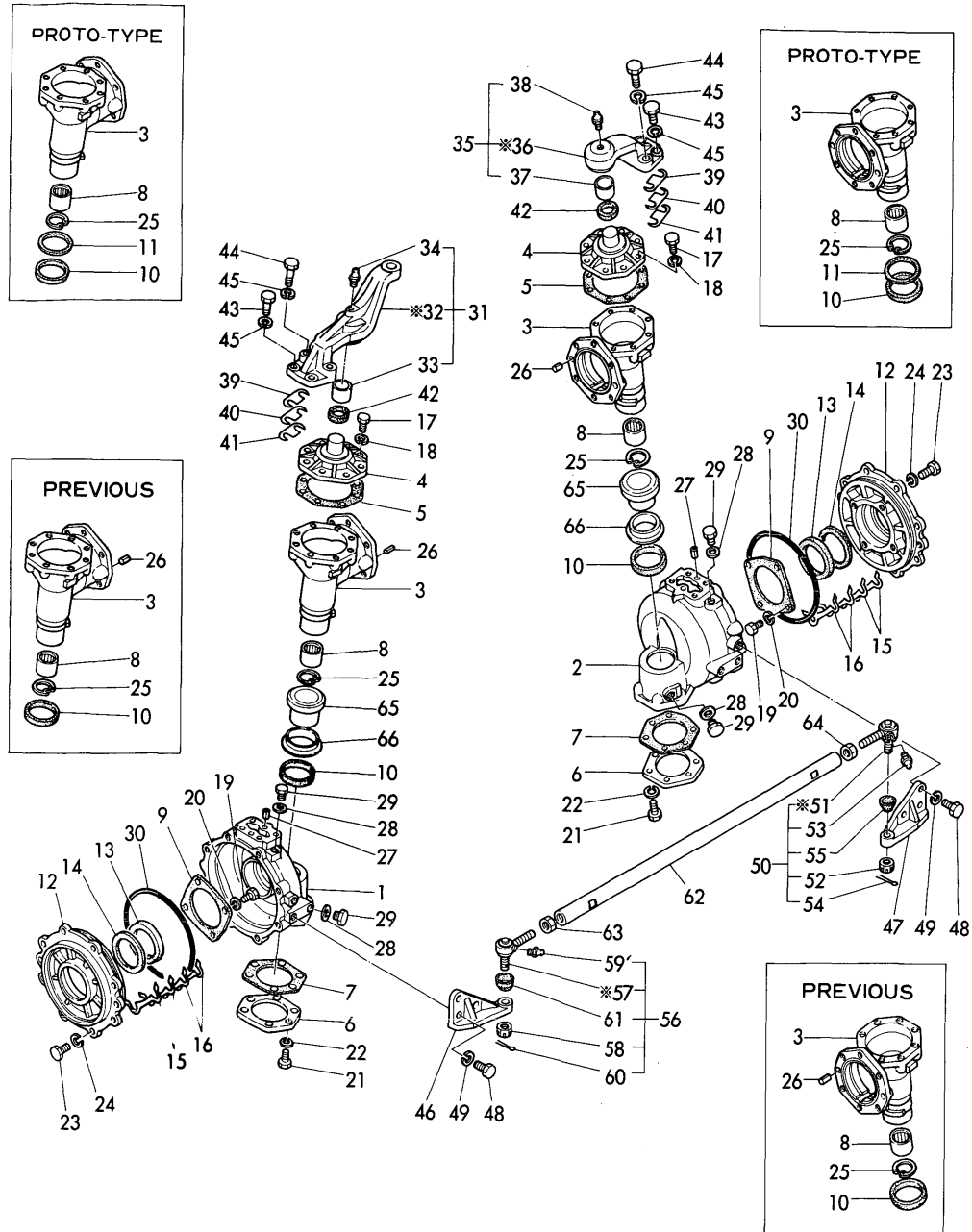
N:Old ↔ New, Q:Old ↔ New, R:Old ↔ New, S:Old ↔ New, W:Add, Z:Discontinued, F:Set Change, K:Q'ty Change  
++ CONTINUE ++ (C)Copy Rights YANMAR CO.,LTD and YANMAR AGRICULTURAL EQUIPMENT CO.,LTD.

Fig.31. FRONT AXLE(C)(YM330D,PORTUGAL)

(A)=YM330  
(B)=YM330D  
(C)=

(D)=  
(E)=  
(F)=

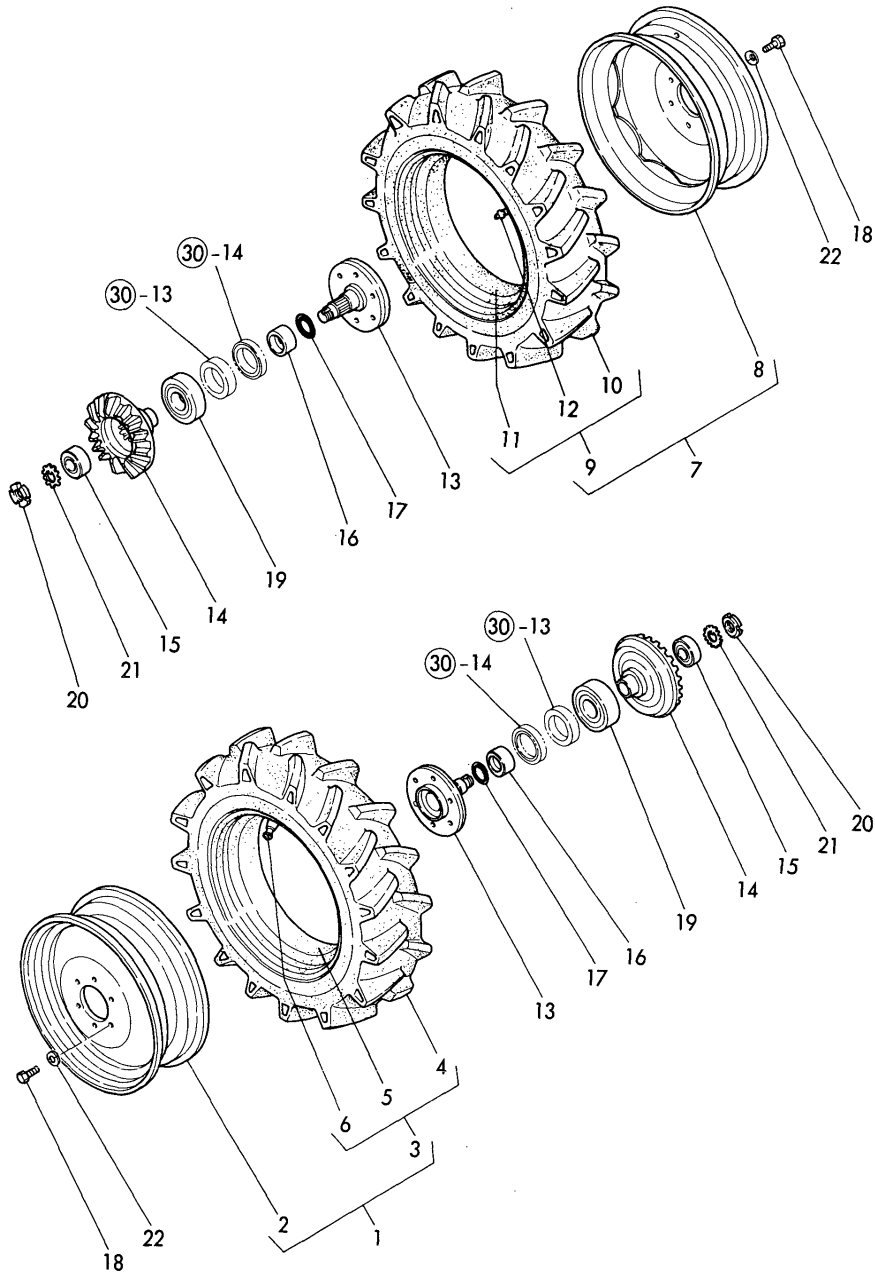
Fig. 31 FRONT AXLE (C-2), FOR MODEL YM330D



REF.	LEV.	PARTS NO.	DESCRIPTION	Q'TY						I	R
				(A)	(B)	(C)	(D)	(E)	(F)		
59	2	194730-57411	GREASE NIPPLE A		1						3
59-1	2	24764-060000	NIPPLE MT6X1,GREASE		1						
60	2	22417-300250	COTTER PIN 3.0X 25		1						
61	2	194730-57220	COVER, DUST		1						
62	1	194321-12310-X	TIE-ROD		1						
63	1	194990-22830	NUT M17		1						
64	1	194990-22840	NUT M17		1						
65	1	194274-13900	SLEEVE 60X64X28		2						
66	1	194274-13910	COLLAR 68X79X11.5		2						

Fig.32. FRONT WHEEL(FOR MODEL YM330D)

Fig. 32 FRONT WHEEL, FOR MODEL YM330D



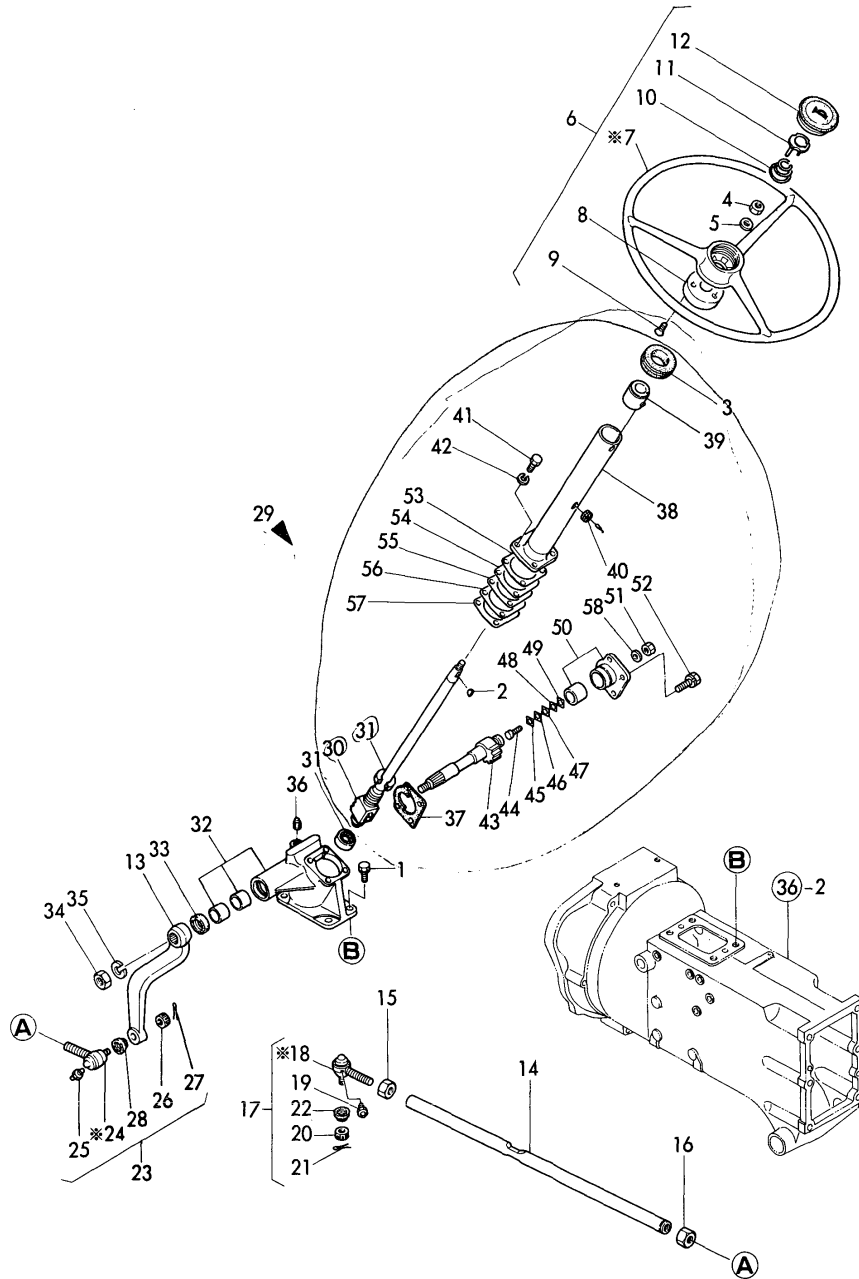
(A)=YM330  
(B)=YM330D  
(C)=

(D)=  
(E)=  
(F)=

REF.	LEV.	PARTS NO.	DESCRIPTION	Q'TY						I	R	
				(A)	(B)	(C)	(D)	(E)	(F)			
1	1	794321-14700-P	TIRE(L) ASSY, FRONT		1							
2	2	194321-14700-P	WHEEL 5JAX16WDC		1							
3	2	194321-14850	TIRE W/TUBE 7-16(F).		1							
4	3	194321-14860	TIRE 7-16		1							
5	3	194321-14820	TUBE		1							
6	3	194321-14830	VALVE, AIR INLET		1							
7	1	794321-14800-P	TIRE ASSY 7 X16		1							
8	2	194321-14700-P	WHEEL 5JAX16WDC		1							
9	2	194321-14850	TIRE W/TUBE 7-16(F).		1							
10	3	194321-14860	TIRE 7-16		1							
11	3	194321-14820	TUBE		1							
12	3	194321-14830	VALVE, AIR INLET		1							
13	1	194321-14110-X	SPINDLE, FRONT		2							
14	1	194321-14120	GEAR, FRONT FINAL		2							
14-1	1	194321-14121	GEAR, FRONT FINAL		2							R
				(B=*1981.09)								
15	1	194321-14140	ROLLER BEARING		2							
16	1	194321-14170	SEAL COLLAR		2							
17	1	24321-000450	O-RING 1A G-45.0		2							
18	1	26013-140252	BOLT M14X 25		12							
19	1	24101-062114	BALL BEARING		2							
20	1	24211-035002	LOCK NUT M35		2							
21	1	24231-035000	WASHER 35		2							
22	1	194465-14220	WASHER 14		12							
22-1	1	194279-14220	WASHER 14		12							R
				(B=*1986.10)								

Fig.33. STEERING (A),YM330(W/O.LIVE)

Fig. **33** STEERING (A), FOR MODEL YM330 [WITHOUT LIVE]



(A)=YM330  
(B)=YM330D  
(C)=

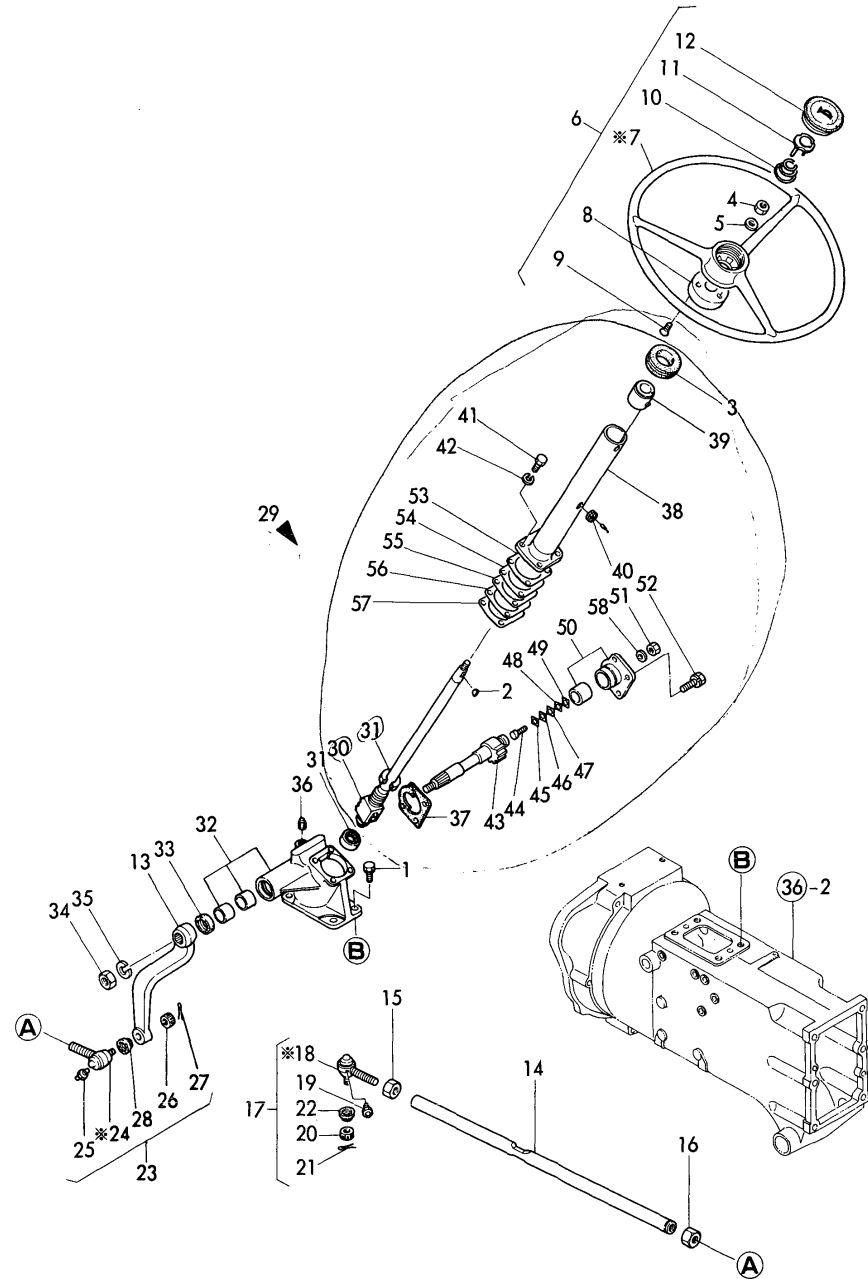
(D)=  
(E)=  
(F)=

REF.	LEV.	PARTS NO.	DESCRIPTION	(A)	(B)	(C)	(D)	(E)	(F)	Q'TY	I	R
1	1	194145-15560	BOLT M12X 33							4		
2	1	22522-050190	WOODRUFF KEY 5X19							1		
3	1	194145-15650	GROMMET 42							1		
3-1	1	194145-15651	GROMMET 42							1		R
		(A=*)										
4	1	194130-15530	LOCK NUT 12							1		
5	1	194080-15550	WASHER 12							1		
6	1	794130-15700	WHEEL ASSY, STEERING							1		
8	2	194130-15720	COVER (400), COLUMN							1		
9	2	26557-040102	SCREW M 4X 10							3		
10	2	194130-15740	SPRING							1		
11	2	194130-15750	SWITCH, HORN							1		
12	2	194130-15770	BUTTON, HORN							1		
13	1	194145-15610-X	ARM, PITMAN							1		
14	1	194145-16310-X	ROD, DRAG							1		
15	1	194990-22840	NUT M17							1		
16	1	194990-22830	NUT M17							1		
17	1	794730-57122-X	END(RL) ASSY,TIE-ROD							1		
17-1	1	194730-57120	END(RL) ASSY,TIE-ROD							1		N
		(A=*1986.01)										
17-2	1	198291-18130	END RL COMP.,TIE-ROD							1		N
		(A=*1990.08)										
19-1	2	24764-060000	NIPPLE MT6X1,GREASE							1		
19-2	2	24761-060000	NIPPLE MT6X1, GREASE							1		R
		(A=*)										
20	2	194730-57241	NUT M12							1		
21	2	22417-300250	COTTER PIN 3.0X 25							1		
22	2	194730-57220	COVER, DUST							1		
23	1	794730-57132	END(LR) ASSY,TIE-ROD							1		
23-1	1	194730-57130	END(LR) ASSY,TIE-ROD							1		N
		(A=*1986.01)										
23-2	1	198291-18120	END LR COMP.,TIE-ROD							1		N
		(A=*1990.08)										
25-1	2	24764-060000	NIPPLE MT6X1,GREASE							1		
25-2	2	24761-060000	NIPPLE MT6X1, GREASE							1		R
		(A=*)										
26	2	194730-57241	NUT M12							1		
27	2	22417-300250	COTTER PIN 3.0X 25							1		
28	2	194730-57220	COVER, DUST							1		
29	1	194145-15100	GEAR ASSY, STEERING							1		
30	2	194145-15500	NUT ASSY, BALL							1		
31	2	194145-15310	BALL BEARING							2		
32	2	194145-15110	BOX, GEAR							1		
33	2	194080-15140	SEAL D28.6 40 8, OIL							1		
34	2	26737-220002	NUT M22							1		
34-1	2	26736-220002	NUT M22							1		R
		(A=*)										
34-2	2	26776-220002	LOCK NUT M22 PLATED							1		N
		(A=*1986.04)										
35	2	22217-220000	SPRING WASHER 22							1		
36	2	194130-15170	PLUG PT1/4							1		

N:Old ↔ New, Q:Old ↔ New, R:Old ↔ New, S:Old ↔ New, W:Add, Z:Discontinued, F:Set Change, K:Q'ty Change  
 ++ CONTINUE ++  
 (C)Copy Rights YANMAR CO.,LTD and YANMAR AGRICULTURAL EQUIPMENT CO.,LTD.

Fig.33. STEERING (A),YM330(W/O.LIVE)

Fig. **33** STEERING (A), FOR MODEL YM330 [WITHOUT LIVE]



(A)=YM330  
(B)=YM330D  
(C)=

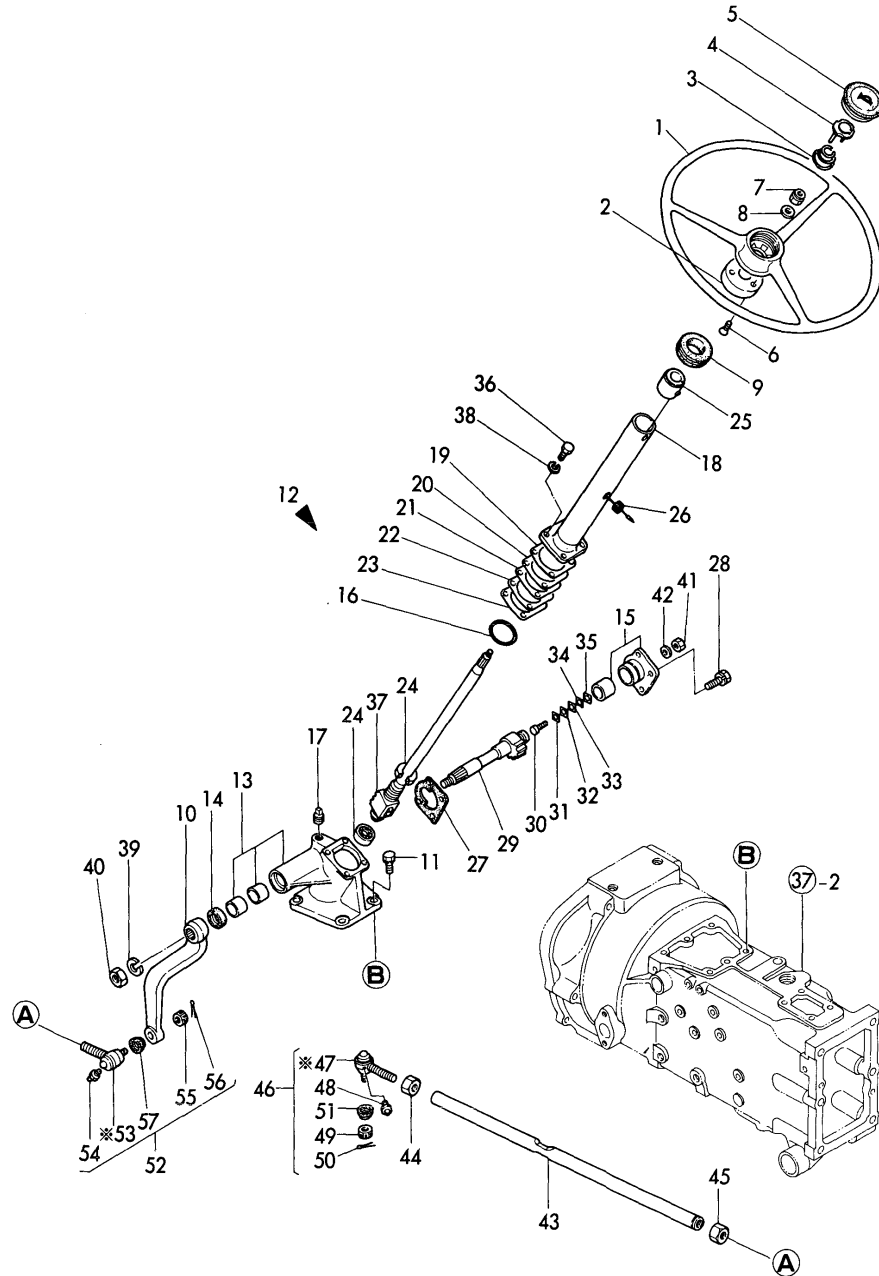
(D)=  
(E)=  
(F)=

REF.	LEV.	PARTS NO.	DESCRIPTION	Q'TY						I	R
				(A)	(B)	(C)	(D)	(E)	(F)		
37	2	194145-15320	GASKET, SIDE COVER	1							
38	2	194145-15200	COLUMN	1							
39	2	194750-15310	BUSH, COLUMN	1							
40	2	194080-15320	GROMMET	1							
41	2	26116-080222	BOLT M 8X 22 PLATED	4							
42	2	22217-080000	SPRING WASHER 8	4							
43	2	194145-15410	SHAFT, SECTOR	1							
43-1	2	194274-15410	SHAFT, SECTOR	1							N
(A=*1987.05)											
44	2	194080-15470	SCREW M10X34	1							
45	2	194080-15420	SHIM (A) (T=1.525)	1							1
46	2	194080-15430	SHIM (B) (T=1.555)	1							1
47	2	194080-15440	SHIM (C) (T=1.585)	1							1
48	2	194080-15450	SHIM (D) (T=1.615)	1							1
49	2	194080-15460	SHIM (E) (T=1.645)	1							1
50	2	194145-15150	COVER, SIDE	1							
51	2	26776-100002	LOCK NUT M10 PLATED	1							
51-1	2	26736-100002	NUT M10	1							R
(A=*)											
52	2	194145-15330	BOLT	4							
52-1	2	26013-080202	BOLT W/WASHER M8X20	4							N
(A=*1987.05)											
53	2	194080-15250	SHIM T=0.05	1							1
54	2	194080-15260	SHIM T=0.07	1							1
55	2	194080-15270	SHIM T=0.08	1							1
56	2	194080-15280	SHIM T=0.1	1							1
57	2	194080-15290	SHIM T=0.2	1							1
58	2	194464-15450	SEAL WASHER	1							W
(A=*1980.09)											

N:Old ↔ New, Q:Old ↔ New, R:Old ↔ New, S:Old ↔ New, W:Add, Z:Discontinued, F:Set Change, K:Q'ty Change  
(C)Copy Rights YANMAR CO.,LTD and YANMAR AGRICULTURAL EQUIPMENT CO.,LTD.

Fig.34. STEERING (B),YM330(WITH LIVE)

Fig. **34** STEERING (B), FOR MODEL YM330 [WITH LIVE]



(A)=YM330  
(B)=YM330D  
(C)=

(D)=  
(E)=  
(F)=

REF.	LEV.	PARTS NO.	DESCRIPTION	Q'TY						I	R
				(A)	(B)	(C)	(D)	(E)	(F)		
1	1	194320-15710	WHEEL, STEERING	1							
2	1	194130-15720	COVER (400), COLUMN	1							
3	1	194130-15740	SPRING	1							
4	1	194130-15750	SWITCH, HORN	1							
5	1	194130-15770	BUTTON, HORN	1							
6	1	26557-040102	SCREW M 4X 10	3							
6-1	1	26577-040102	SCREW M 4X 10	3							R
		(A=*)									
7	1	26776-120002	LOCK NUT M12 PLATED	1							
7-1	1	26356-120002	U-NUT M12	1							R
		(A=*)									
8	1	194080-15550	WASHER 12	1							
9	1	194145-15650	GROMMET 42	1							
9-1	1	194145-15651	GROMMET 42	1							R
		(A=*)									
10	1	194320-15610-X	ARM, PITMAN	1							
11	1	194145-15560	BOLT M12X 33	4							
12	1	194274-15100-X	GEAR ASSY, STEERING	1							
13	2	194274-15110-X	BOX W/BUSH, GEAR	1							1
14	2	194080-15140	SEAL D28.6 40 8, OIL	1							
15	2	194320-15150	COVER, SIDE	1							1
16	2	194320-15160	O-RING	1							Z
		(A=*1987.03)									
17	2	194130-15170	PLUG PT1/4	1							
18	2	194320-15200	COLUMN	1							
18-1	2	194274-15200	COLUMN	1							S
		(A=*1987.03)									
19	2	194320-15250	SHIM T=0.05	1							2
20	2	194320-15260	SHIM T=0.07	1							2
21	2	194320-15270	SHIM T=0.08	1							2
22	2	194320-15280	SHIM T=0.1	1							2
23	2	194320-15290	SHIM T=0.2	1							2
24	2	194145-15310	BALL BEARING	2							
25	2	194750-15310	BUSH, COLUMN	1							
26	2	194080-15320	GROMMET	1							
27	2	194145-15320	GASKET, SIDE COVER	1							
28	2	194145-15330	BOLT	4							
28-1	2	26013-080202	BOLT W/WASHER M8X20	8							R
		(A=*1987.05)									
29	2	194145-15410	SHAFT, SECTOR	1							
29-1	2	194274-15410	SHAFT, SECTOR	1							N
		(A=*1987.05)									
30	2	194080-15470	SCREW M10X34	1							
31	2	194080-15420	SHIM (A) (T=1.525)	1							2
32	2	194080-15430	SHIM (B) (T=1.555)	1							2
33	2	194080-15440	SHIM (C) (T=1.585)	1							2
34	2	194080-15450	SHIM (D) (T=1.615)	1							2
35	2	194080-15460	SHIM (E) (T=1.645)	1							2
36	2	194320-15470	BOLT M10X28	4							Z
		(A=*1987.05)									
37	2	194320-15500	NUT ASSY, BALL	1							

N:Old ↔ New, Q:Old ↔ New, R:Old ↔ New, S:Old ↔ New, W:Add, Z:Discontinued, F:Set Change, K:Q'ty Change  
 ++ CONTINUE ++  
 (C)Copy Rights YANMAR CO.,LTD and YANMAR AGRICULTURAL EQUIPMENT CO.,LTD.

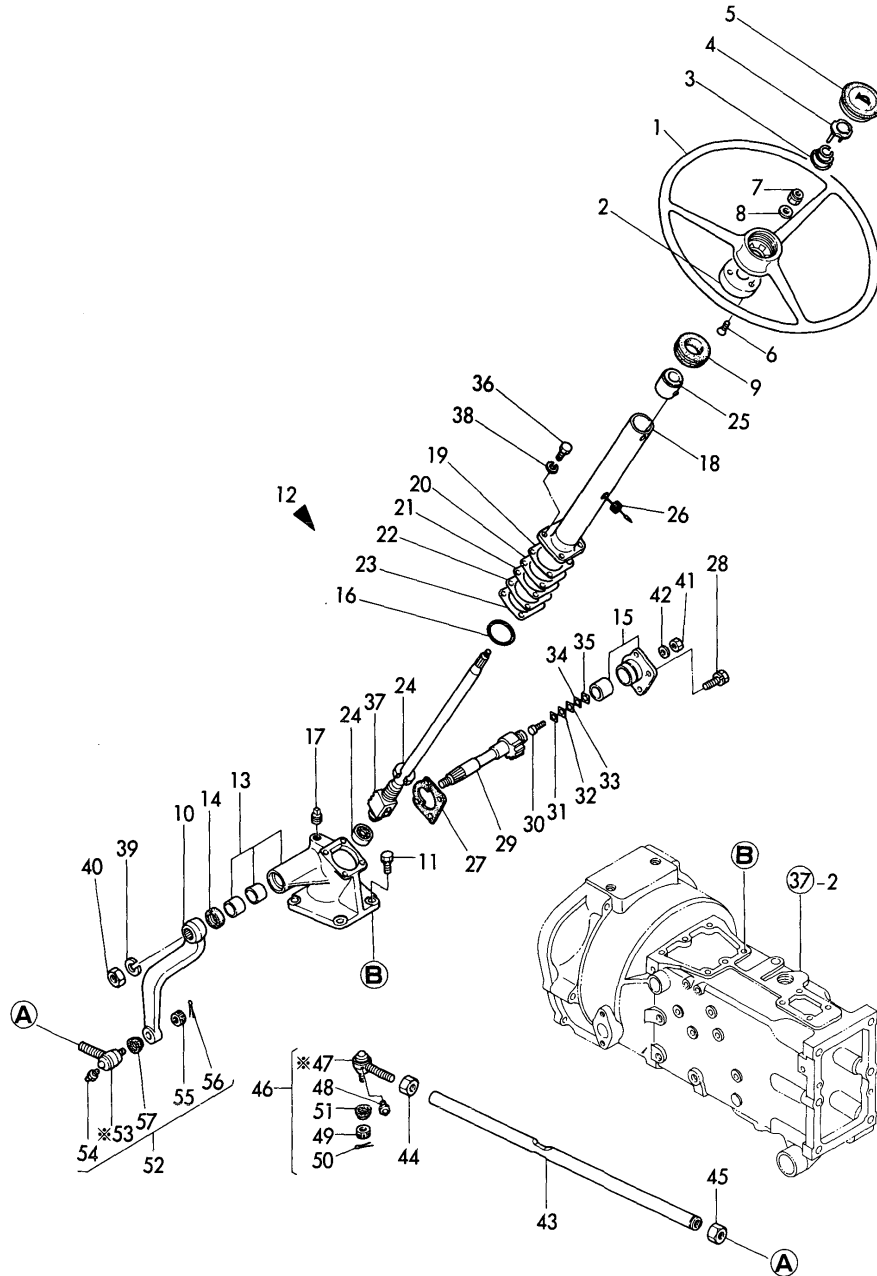
Fig.34. STEERING (B),YM330(WITH LIVE)

Y00T2341 34. STEERING (B),YM330(WITH LIVE)

(A)=YM330  
(B)=YM330D  
(C)=

(D)=  
(E)=  
(F)=

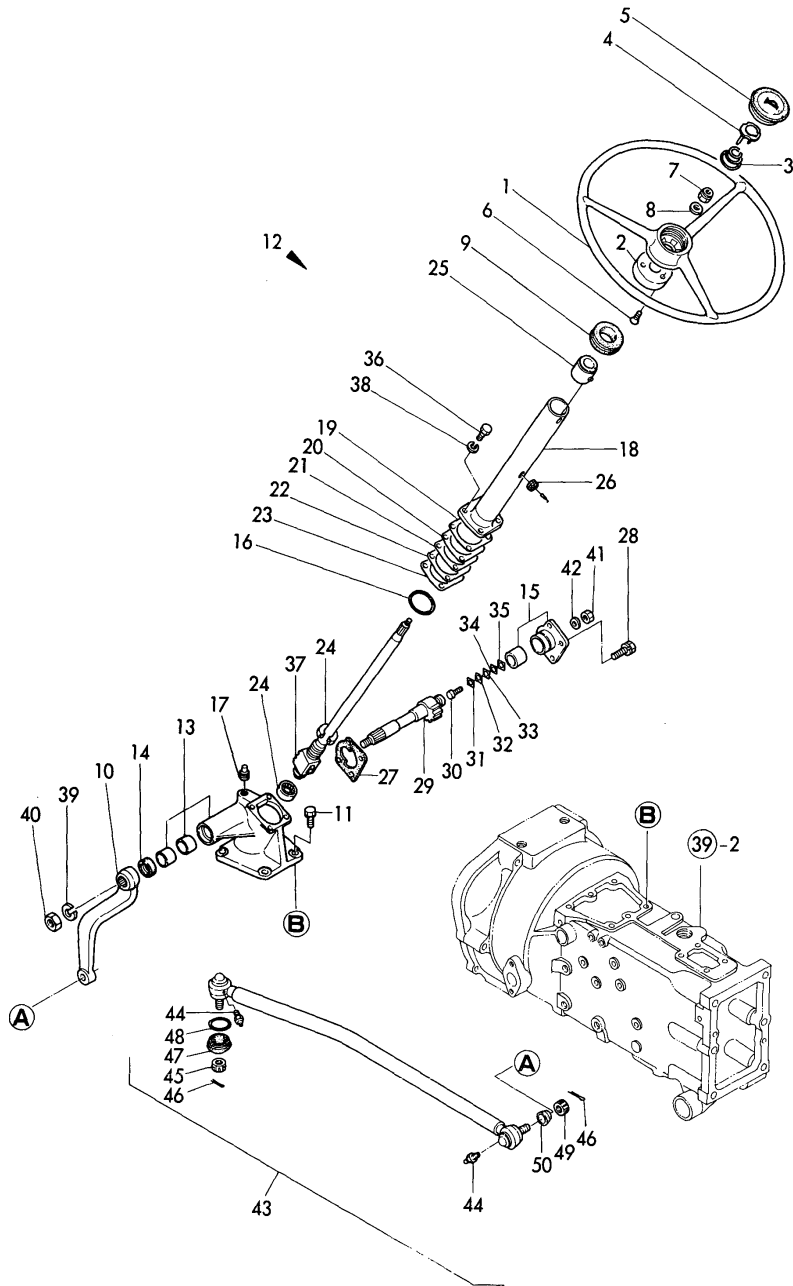
Fig. **34** STEERING (B), FOR MODEL YM330 [WITH LIVE]



REF.	LEV.	PARTS NO.	DESCRIPTION	Q'TY						I	R
				(A)	(B)	(C)	(D)	(E)	(F)		
38	2	22217-100000	SPRING WASHER 10	4							
39	2	22217-220000	SPRING WASHER 22	1							
40	2	26736-220002	NUT M22	1							
40-1	2	26776-220002 (A=*1986.04)	LOCK NUT M22 PLATED	1							N
41	2	26776-100002	LOCK NUT M10 PLATED	1							
41-1	2	26736-100002 (A=*)	NUT M10	1							R
42	2	194464-15450	SEAL WASHER	1							W
		(A=*1980.05)									
43	1	194145-16310-X	ROD, DRAG	1							
44	1	194990-22840	NUT M17	1							
45	1	194990-22830	NUT M17	1							
46	1	794730-57122-X	END(RL) ASSY,TIE-ROD	1							
46-1	1	194730-57120	END(RL) ASSY,TIE-ROD	1							N
		(A=*1986.01)									
46-2	1	198291-18130 (A=*1990.08)	END RL COMP.,TIE-ROD	1							N
48-1	2	24764-060000	NIPPLE MT6X1,GREASE	1							
48-2	2	24761-060000 (A=*)	NIPPLE MT6X1, GREASE	1							R
49	2	194730-57241	NUT M12	1							
50	2	22417-300250	COTTER PIN 3.0X 25	1							
51	2	194730-57220	COVER, DUST	1							
52	1	794730-57132-X	END(LR) ASSY,TIE-ROD	1							
52-1	1	194730-57130 (A=*1986.01)	END(LR) ASSY,TIE-ROD	1							N
52-2	1	198291-18120 (A=*1990.08)	END LR COMP.,TIE-ROD	1							N
54-1	2	24764-060000	NIPPLE MT6X1,GREASE	1							
54-2	2	24761-060000 (A=*)	NIPPLE MT6X1, GREASE	1							R
55	2	194730-57241	NUT M12	1							
56	2	22417-300250	COTTER PIN 3.0X 25	1							
57	2	194730-57220	COVER, DUST	1							

Fig.35. STEERING (C)(FOR MODEL YM330D)

Fig. **35** STEERING (C), FOR MODEL YM330D



Y00T2341 35. STEERING (C)(FOR MODEL YM330D)

(A)=YM330  
(B)=YM330D  
(C)=

(D)=  
(E)=  
(F)=

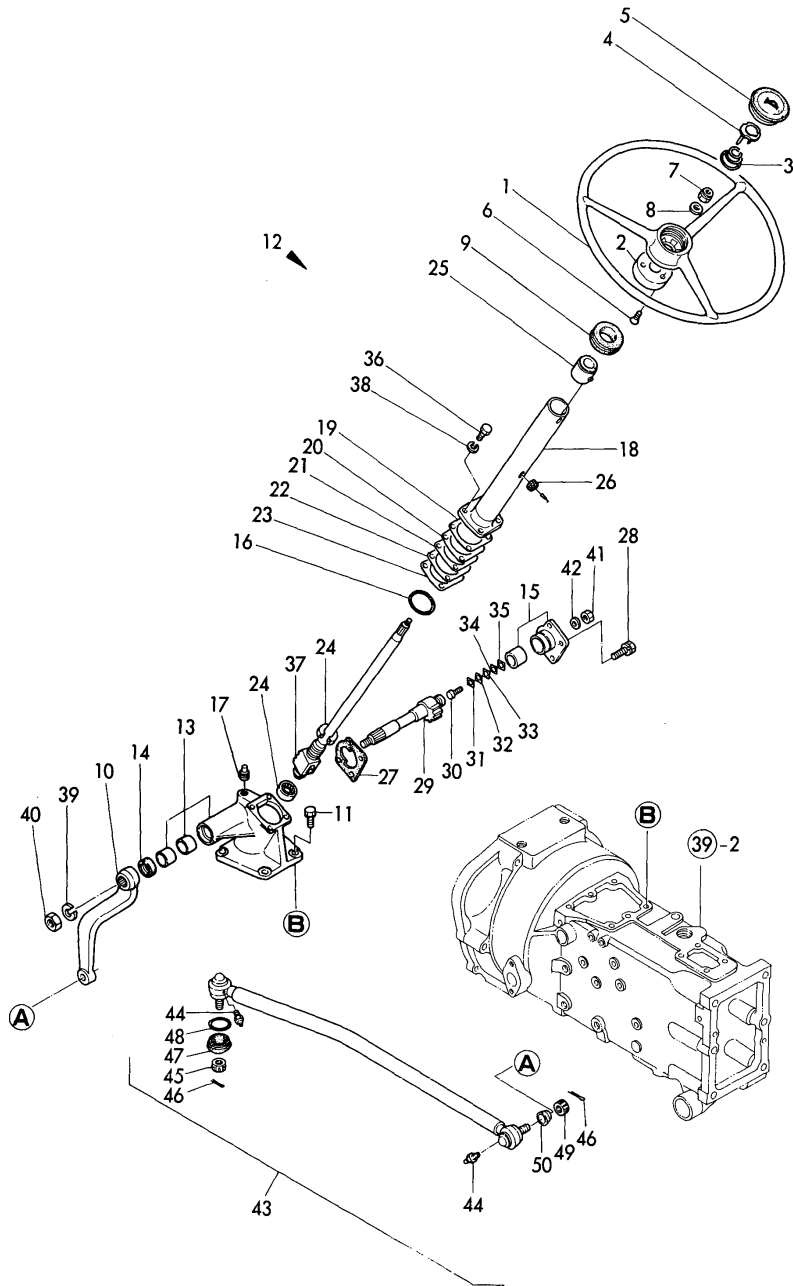
REF.	LEV.	PARTS NO.	DESCRIPTION	Q'TY						I	R
				(A)	(B)	(C)	(D)	(E)	(F)		
1	1	194320-15710	WHEEL, STEERING		1						
2	1	194130-15720	COVER (400), COLUMN		1						
3	1	194130-15740	SPRING		1						
4	1	194130-15750	SWITCH, HORN		1						
5	1	194130-15770	BUTTON, HORN		1						
6	1	26557-040102	SCREW M 4X 10		3						
6-1	1	26577-040102	SCREW M 4X 10		3						R
		(B=*)									
7	1	26776-120002	LOCK NUT M12 PLATED		1						
7-1	1	26356-120002	U-NUT M12		1						R
		(B=*)									
8	1	194080-15550	WASHER 12		1						
9	1	194145-15650	GROMMET 42		1						
9-1	1	194145-15651	GROMMET 42		1						R
		(B=*)									
10	1	194320-15610-X	ARM, PITMAN		1						
11	1	194145-15560	BOLT M12X 33		4						
12	1	194274-15100-X	GEAR ASSY, STEERING		1						
13	2	194274-15110-X	BOX W/BUSH, GEAR		1						1
14	2	194080-15140	SEAL D28.6 40 8, OIL		1						
15	2	194320-15150	COVER, SIDE		1						1
16	2	194320-15160	O-RING		1						Z
		(B=*1987.03)									
17	2	194130-15170	PLUG PT1/4		1						
18	2	194320-15200	COLUMN		1						
18-1	2	194274-15200	COLUMN		1						S
		(B=*1987.03)									
19	2	194320-15250	SHIM T=0.05		1						2
20	2	194320-15260	SHIM T=0.07		1						2
21	2	194320-15270	SHIM T=0.08		1						2
22	2	194320-15280	SHIM T=0.1		1						2
23	2	194320-15290	SHIM T=0.2		1						2
24	2	194145-15310	BALL BEARING		2						
25	2	194750-15310	BUSH, COLUMN		1						
26	2	194080-15320	GROMMET		1						
27	2	194145-15320	GASKET, SIDE COVER		1						
28	2	194145-15330	BOLT		4						
28-1	2	26013-080202	BOLT W/WASHER M8X20		8						R
		(B=*1987.05)									
29	2	194145-15410	SHAFT, SECTOR		1						
29-1	2	194274-15410	SHAFT, SECTOR		1						N
		(B=*1987.05)									
30	2	194080-15470	SCREW M10X34		1						
31	2	194080-15420	SHIM (A) (T=1.525)		1						2
32	2	194080-15430	SHIM (B) (T=1.555)		1						2
33	2	194080-15440	SHIM (C) (T=1.585)		1						2
34	2	194080-15450	SHIM (D) (T=1.615)		1						2
35	2	194080-15460	SHIM (E) (T=1.645)		1						2
36	2	194320-15470	BOLT M10X28		4						Z
		(B=*1987.05)									
37	2	194320-15500	NUT ASSY, BALL		1						

N:Old ↔ New, Q:Old ↔ New, R:Old ↔ New, S:Old ↔ New, W:Add, Z:Discontinued, F:Set Change, K:Q'ty Change  
 ++ CONTINUE ++ (C)Copy Rights YANMAR CO.,LTD and YANMAR AGRICULTURAL EQUIPMENT CO.,LTD.



Fig.35. STEERING (C)(FOR MODEL YM330D)

Fig. **35** STEERING (C), FOR MODEL YM330D



Y00T2341 35. STEERING (C)(FOR MODEL YM330D)

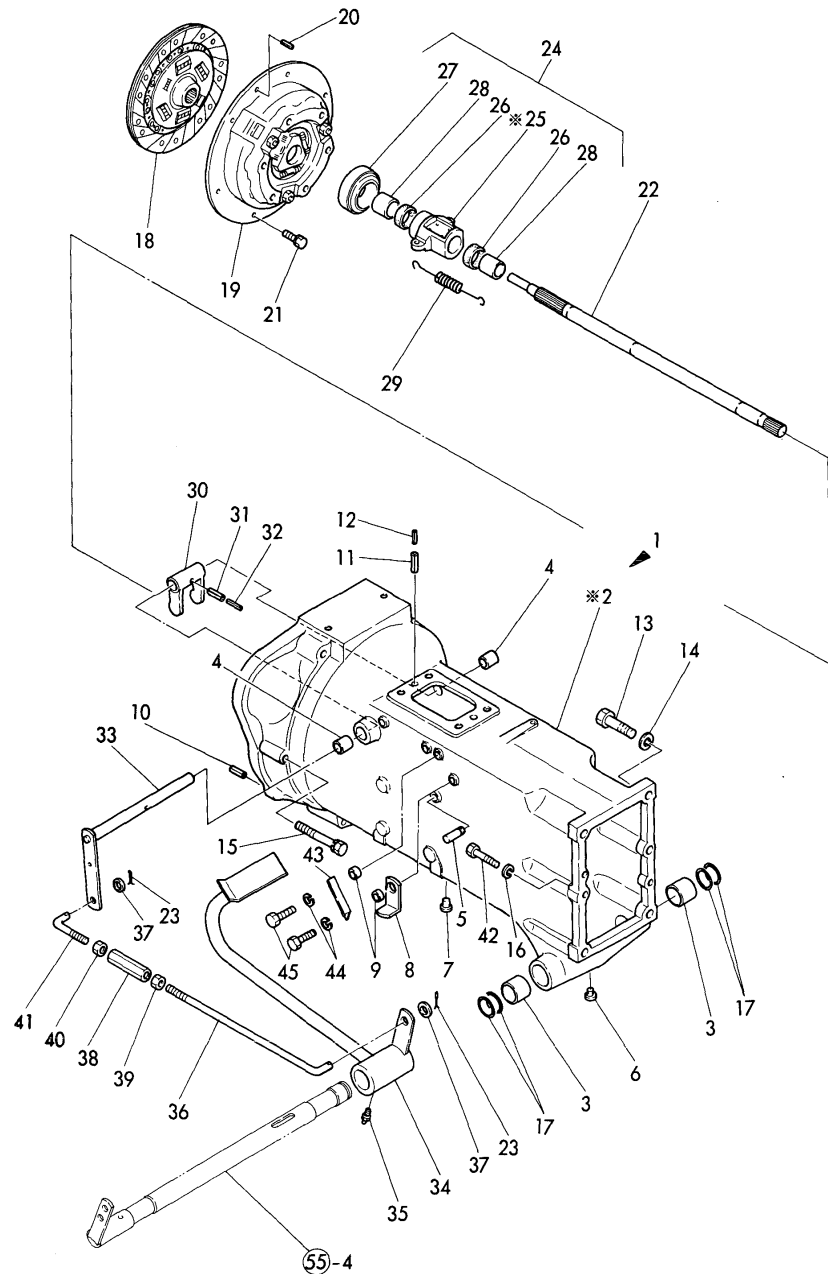
(A)=YM330  
(B)=YM330D  
(C)=

(D)=  
(E)=  
(F)=

REF.	LEV.	PARTS NO.	DESCRIPTION	Q'TY						I	R
				(A)	(B)	(C)	(D)	(E)	(F)		
38	2	22217-100000	SPRING WASHER 10		4						
39	2	22217-220000	SPRING WASHER 22		1						
40	2	26736-220002	NUT M22		1						
40-1	2	26776-220002 (B=*1986.04)	LOCK NUT M22 PLATED		1						N
41	2	26776-100002	LOCK NUT M10 PLATED		1						
41-1	2	26736-100002 (B=*)	NUT M10		1						R
42	2	194464-15450 (B=*1980.09)	SEAL WASHER		1						W
43	1	194274-16100-X	ROD ASSY, DRAG		1						
43-1	1	194274-16101 (B=*1986.01)	ROD ASSY, DRAG		1						N
44	2	194151-11480	GREASE NIPPLE A		2						
44-1	2	24764-060000 (B=*)	NIPPLE MT6X1,GREASE		2						R
44-2	2	24761-060000 (B=*)	NIPPLE MT6X1, GREASE		2						R
45	2	194450-16170	CASTLE NUT M16		1						
46	2	22417-300300	COTTER PIN 3.0X30		2						
46-1	2	22417-300250 (B=*)	COTTER PIN 3.0X 25		2						R
47	2	194450-12551 (B=*1986.01)	COVER, DUST		1						W
47-1	2	194450-12552 (B=*1990.09)	COVER, DUST		1						S
48	2	194450-12560 (B=*1986.01)	RING, SET		1						W
48-1	2	194450-12561 (B=*1990.09)	RING, SET		1						S
49	2	194730-57241	NUT M12		1						
50	2	194730-57220 (B=*)	COVER, DUST		1						W

Fig.36. CLUTCH(A),YM330(W/O.LIVE)

Fig. **36** CLUTCH (A), FOR MODEL YM330 (WITHOUT LIVE)



(A)=YM330  
(B)=YM330D  
(C)=

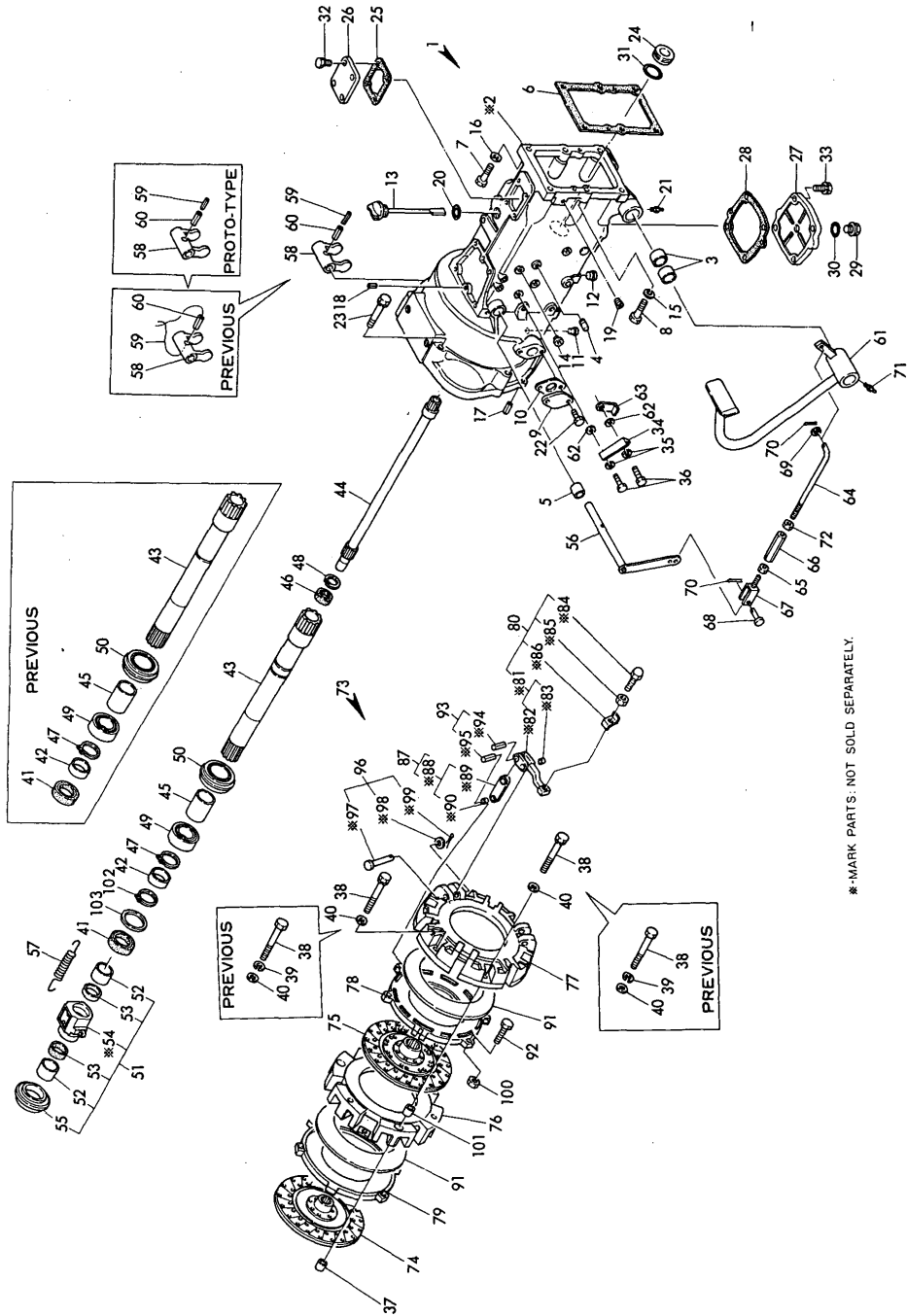
(D)=  
(E)=  
(F)=

REF.	LEV.	PARTS NO.	DESCRIPTION	Q'TY						I	R
				(A)	(B)	(C)	(D)	(E)	(F)		
1	1	794145-21100-X	HOUSING ASSY, CLUTCH	1							
3	2	194145-21120	BUSH 32X38X30	2							
4	2	194130-22280	BUSH 20X25X25	2							
5	2	194150-22250	PIN, HOOK	2							
6	2	194150-21910	PLUG 11.2	3							
7	2	194150-24270	SCREW CAP 13	4							
8	1	194145-22440	LEVER, CLUTCH LOCK	1							
9	1	194145-22430	SPACER 18	2							
10	1	22351-080018	SPRING PIN 8X18	2							
11	1	22351-100018	SPRING PIN 10X18	2							
12	1	22351-060018	SPRING PIN 6X18	2							
13	1	194145-21140	BOLT M14X 50	5							
14	1	22217-140000	SPRING WASHER 14	5							
15	1	26013-120902	BOLT M12X 90	7							
16	1	22217-120000	WASHER 12,SPRING	8							
17	1	24311-000300	O-RING 1A P-30.0	4							
18	1	794081-21400	DISC, CLUTCH	1							
18-1	1	194275-21400	DISC, CLUTCH	1							R
(A=*)											
19	1	794081-21700	PLATE ASSY, PRESSURE	1							
20	1	194080-21880	PIN 6X18	2							
21	1	26013-080162	BOLT W/WASHER M8X16	6							
22	1	194145-22110	SHAFT, MAIN DRIVE	1							
23	1	22417-200300	COTTER PIN 2.0X30	2							
24	1	794130-22150	SLEEVE ASSY, BEARING	1							
26	2	194130-22170	FELT	2							
27	2	194990-42720	BEARING, CLUTCH	1							
28	2	194130-22160	BUSH 25X30X31	2							
29	1	194145-22261	SPRING, RETURN	2							
30	1	194130-22311	YOKE, CLUTCH SHIFT	1							
31	1	22351-060032	SPRING PIN 6X32	1							
32	1	22351-035032	SPRING PIN 3.5X32	1							
33	1	194145-22240-X	SHAFT, RELEASE	1							
34	1	194145-22310-X	PEDAL, CLUTCH	1							
35	1	24764-010000	NIPPLE M6F, GREASE	1							
36	1	194145-22320	ROD, CLUTCH	1							
37	1	22137-100000	WASHER 10,POLISHED	2							
38	1	194130-37730	TURNBUCKLE M10X70	1							
39	1	26716-100002	NUT M10	1							
40	1	194150-22480	NUT M10	1							
41	1	194150-22460	ROD, CLUTCH	1							
42	1	194145-21150	BOLT M12X 50	1							
43	1	194275-22450-X	BRACKET	1							
44	1	22217-080000	SPRING WASHER 8	2							
45	1	26116-080222	BOLT M 8X 22 PLATED	2							

Fig.37. CLUTCH(B),YM330(W/LIVE),USA

(A)=YM330  
(B)=YM330D  
(C)=

(D)=  
(E)=  
(F)=



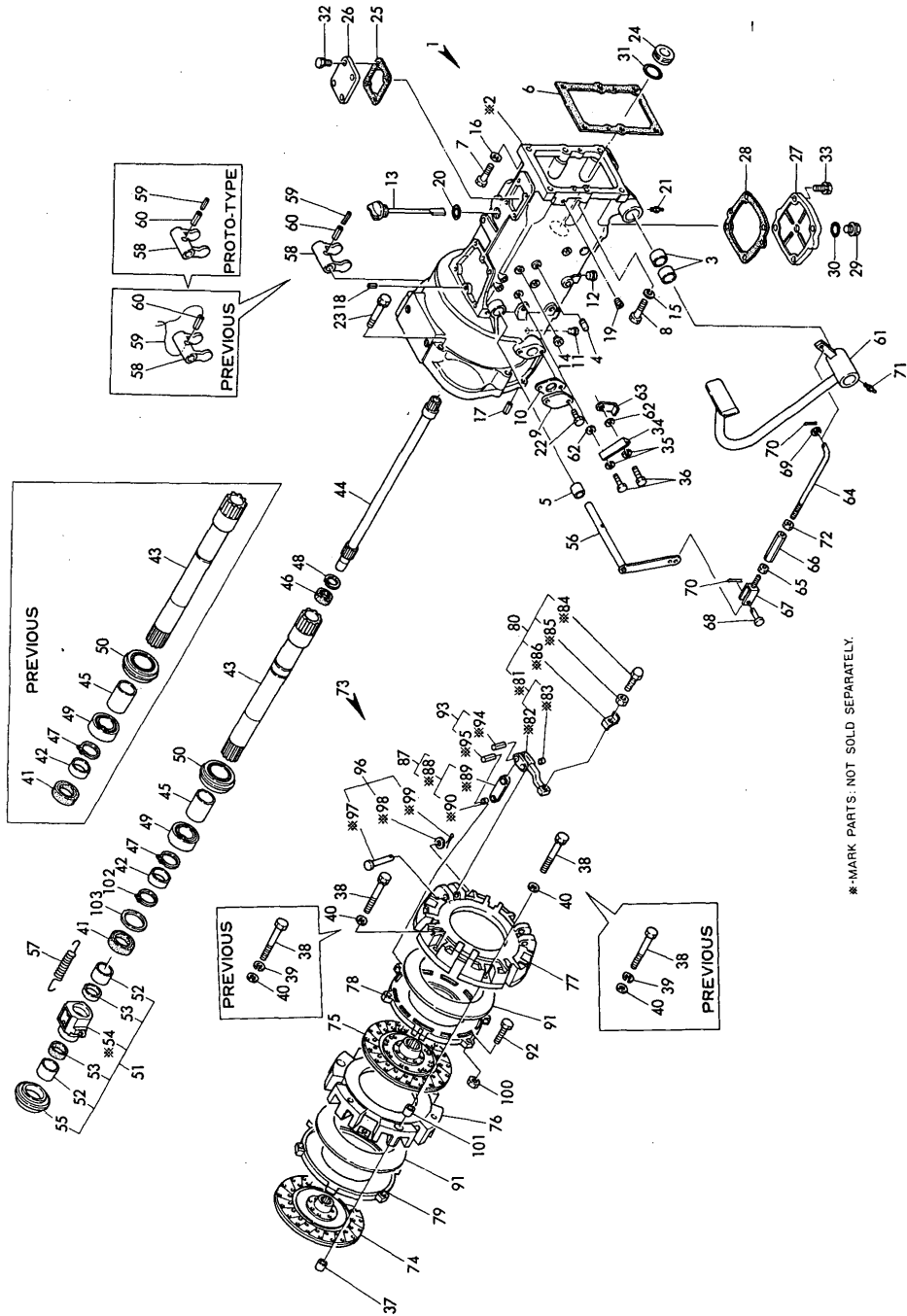
REF.	LEV.	PARTS NO.	DESCRIPTION	Q'TY						I	R
				(A)	(B)	(C)	(D)	(E)	(F)		
1	1	194274-21100-X	HOUSING ASSY, CLUTCH	1							
3	2	194146-21120	BUSH 32X36X25	4							
4	2	194150-22250	PIN, HOOK	2							
5	2	194130-22280	BUSH 20X25X25	2							
6	1	194146-21130	GASKET	1							
6-1	1	194146-21131	GASKET	1							N
(A=*1981.10)											
7	1	194145-21140	BOLT M14X 50	5							
7-1	1	26116-140502	BOLT M14X 50	5							N
(A=*)											
8	1	194145-21150	BOLT M12X 50	1							
8-1	1	194464-21150	BOLT M12X 50	1							N
(A=*1982.02)											
9	1	194146-21150-X	COVER, SIDE	1							
10	1	194146-21160	GASKET, SIDE COVER	1							
10-1	1	194146-21161	GASKET	1							S
(A=*1984.10)											
11	1	194150-21910	PLUG 11.2	2							
12	1	194150-24270	SCREW CAP 13	10							
13	1	194150-24290	DIPSTICK 33X184	1							
14	1	194275-27750	PLUG 7.8	2							
15	1	22217-120000	WASHER 12,SPRING	1							
16	1	22217-140000	SPRING WASHER 14	5							
17	1	22351-080018	SPRING PIN 8X18	2							
18	1	22351-100018	SPRING PIN 10X18	2							
19	1	23873-010000	PLUG PT 1/8	1							
19-1	1	23871-010000	PLUG PT1/8,SCREW	1							R
(A=*)											
20	1	24341-000320	O-RING 1A S-32.0	1							
20-1	1	24351-020300	O-RING 1A 2030	1							R
(A=*1987.01)											
21	1	24764-010000	NIPPLE M6F, GREASE	2							
21-1	1	24761-010000	NIPPLE M6F, GREASE	2							R
(A=*)											
22	1	26013-080202	BOLT W/WASHER M8X20	2							
23	1	26013-120902	BOLT M12X 90	7							
24	1	194274-21170	PLUG	1							
25	1	194274-21220	GASKET	1							
26	1	194273-21240-X	COVER, UPPER	1							
27	1	194310-24270-X	COVER, LOWER	1							
28	1	194310-24280	GASKET, BOTTOM COVER	1							
28-1	1	194312-24280	GASKET, BOTTOM COVER	1							N
(A=*1987.11)											
29	1	194151-24770	PLUG 14, OIL	1							
29-1	1	23491-140002	PLUG 14	1							R
(A=*1986.12)											
30	1	24311-000160	O-RING 1A P-16.0	1							
31	1	24311-000410	O-RING 1A P-41.0	1							
32	1	26013-080222	BOLT M 8X 22	4							
32-1	1	26013-080202	BOLT W/WASHER M8X20	4							N
(A=*)											

N:Old ↔ New, Q:Old ↔ New, R:Old ↔ New, S:Old ↔ New, W:Add, Z:Discontinued, F:Set Change, K:Q'ty Change  
 ++ CONTINUE ++  
 (C)Copy Rights YANMAR CO.,LTD and YANMAR AGRICULTURAL EQUIPMENT CO.,LTD.

Fig.37. CLUTCH(B),YM330(W/LIVE),USA

(A)=YM330  
(B)=YM330D  
(C)=

(D)=  
(E)=  
(F)=



REF.	LEV.	PARTS NO.	DESCRIPTION	Q'TY						I	R
				(A)	(B)	(C)	(D)	(E)	(F)		
33	1	26013-100302	BOLT M10X 30	4							
34	1	194275-22450-X	BRACKET	1							
35	1	22217-080000	SPRING WASHER 8	2							Z
(A=*)											
36	1	26116-080222	BOLT M 8X 22 PLATED	2							
36-1	1	26106-080202	BOLT M 8X 20 PLATED	2							N
(A=*1990.02)											
37	1	194274-21550	PIN, KNOCK	2							
38	1	26116-080822	BOLT M 8X 82 PLATED	6							
38-1	1	26013-080802	BOLT M 8X 80	6							R
(A=*)											
38-2	1	26106-080802	BOLT M 8X 80 PLATED	6							N
(A=*1990.02)											
39	1	22217-080000	SPRING WASHER 8	6							Z
(A=*1990.02)											
40	1	22137-080000	WASHER 8, POLISHED	6							
41	1	194080-09230	SEAL TC 406212, OIL	1							
41-1	1	24421-406212	SEAL TC 406212, OIL	1							R
(A=*1985.02)											
42	1	194274-22090	SEAL COLLAR 35X40X17	1							
43	1	194274-22110	SHAFT, MAIN DRIVE	1							
43-1	1	194274-22111	SHAFT, MAIN DRIVE	1							N
(A=*1981.10)											
44	1	194274-22120	SHAFT, MAIN DRIVE	1							
45	1	194274-22140	COLLAR 35.7X42.7X77	1							
46	1	194274-22190	SEAL TC22 35 8, OIL	1							
46-1	1	24421-223508	SEAL TC22 35 08, OIL	1							R
(A=*1985.02)											
47	1	22242-000350	CIRCLIP 35	1							
48	1	22252-000350	CIRCLIP 35	1							
49	1	24101-060074	BALL BEARING	1							
50	1	24121-062074	BALL BEARING	1							
51	1	194274-22150	SLEEVE ASSY, BEARING	1							
52	2	194274-22160	BUSH 35X42X32	2							
53	2	194274-22170	FELT	2							
55	2	194274-22290	BEARING, CLUTCH	1							
56	1	194274-22240-X	SHAFT, RELEASE	1							
56-1	1	194274-22241-X	SHAFT, RELEASE	1							S 1
(A=T/# 00216)											
56-2	1	194274-22242-X	SHAFT, RELEASE	1							S
(A=T/# 00292)											
57	1	194145-22261	SPRING, RETURN	2							
58	1	194274-22310	YOKE, CLUTCH SHIFT	1							
58-1	1	194274-22311	YOKE, CLUTCH SHIFT	1							S 1
(A=T/# 00216)											
58-2	1	194274-22312	YOKE, CLUTCH SHIFT	1							S
(A=T/# 00292)											
59	1	22351-035032	SPRING PIN 3.5X32	1							
59-1	1	22451-160000	WIRE 1.6	1							S 1
(A=T/# 00216)											
59-2	1	22351-050040	SPRING PIN 5X40	1							S

N:Old ↔ New, Q:Old ↔ New, R:Old ↔ New, S:Old ↔ New, W:Add, Z:Discontinued, F:Set Change, K:Q'ty Change  
 ++ CONTINUE ++  
 (C)Copy Rights YANMAR CO.,LTD and YANMAR AGRICULTURAL EQUIPMENT CO.,LTD.

Fig.37. CLUTCH(B),YM330(W/LIVE),USA

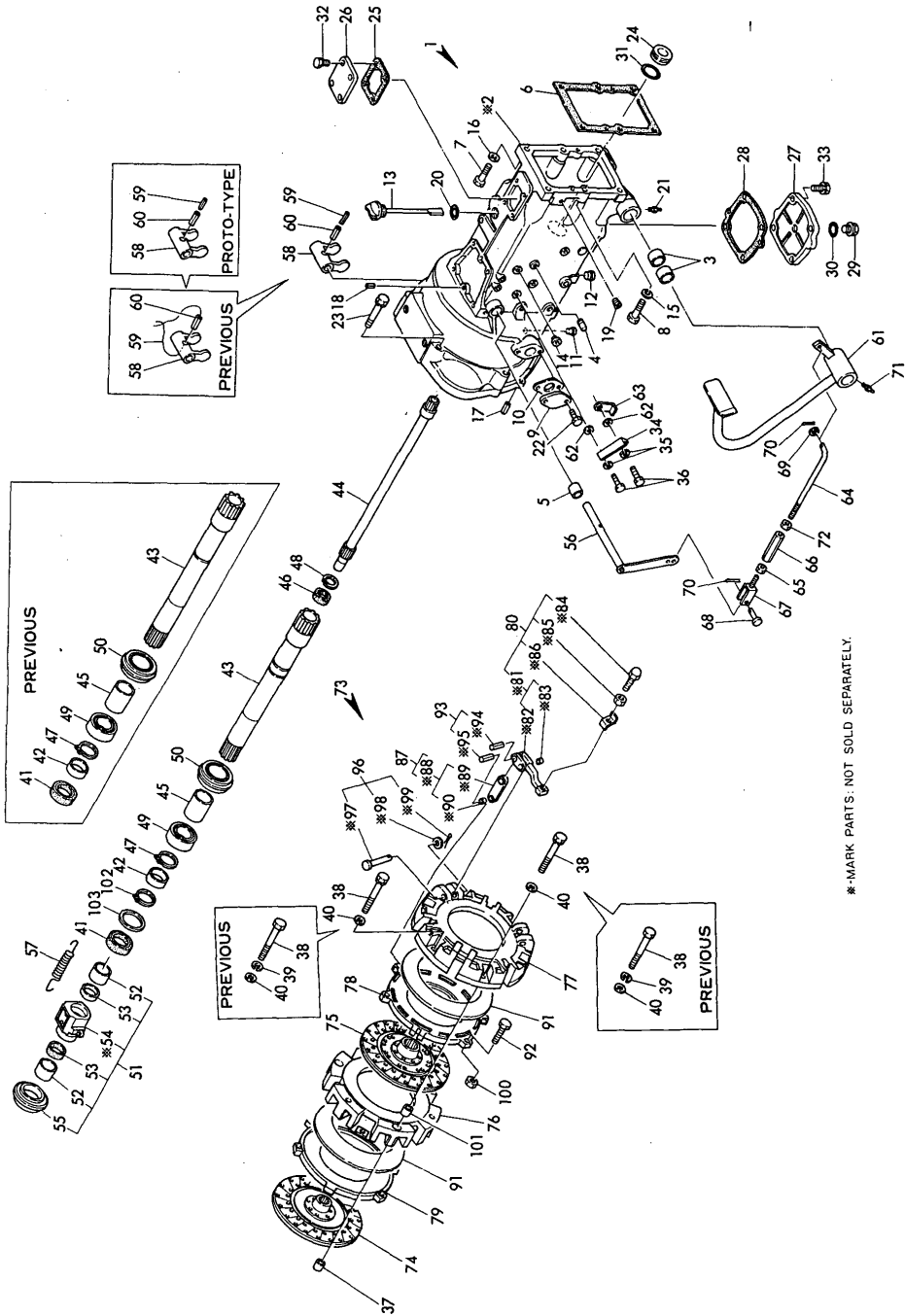


Fig.37 CLUTCH (B-1), FOR MODEL YM330 (WITH LIVE)

(A)=YM330  
(B)=YM330D  
(C)=

(D)=  
(E)=  
(F)=

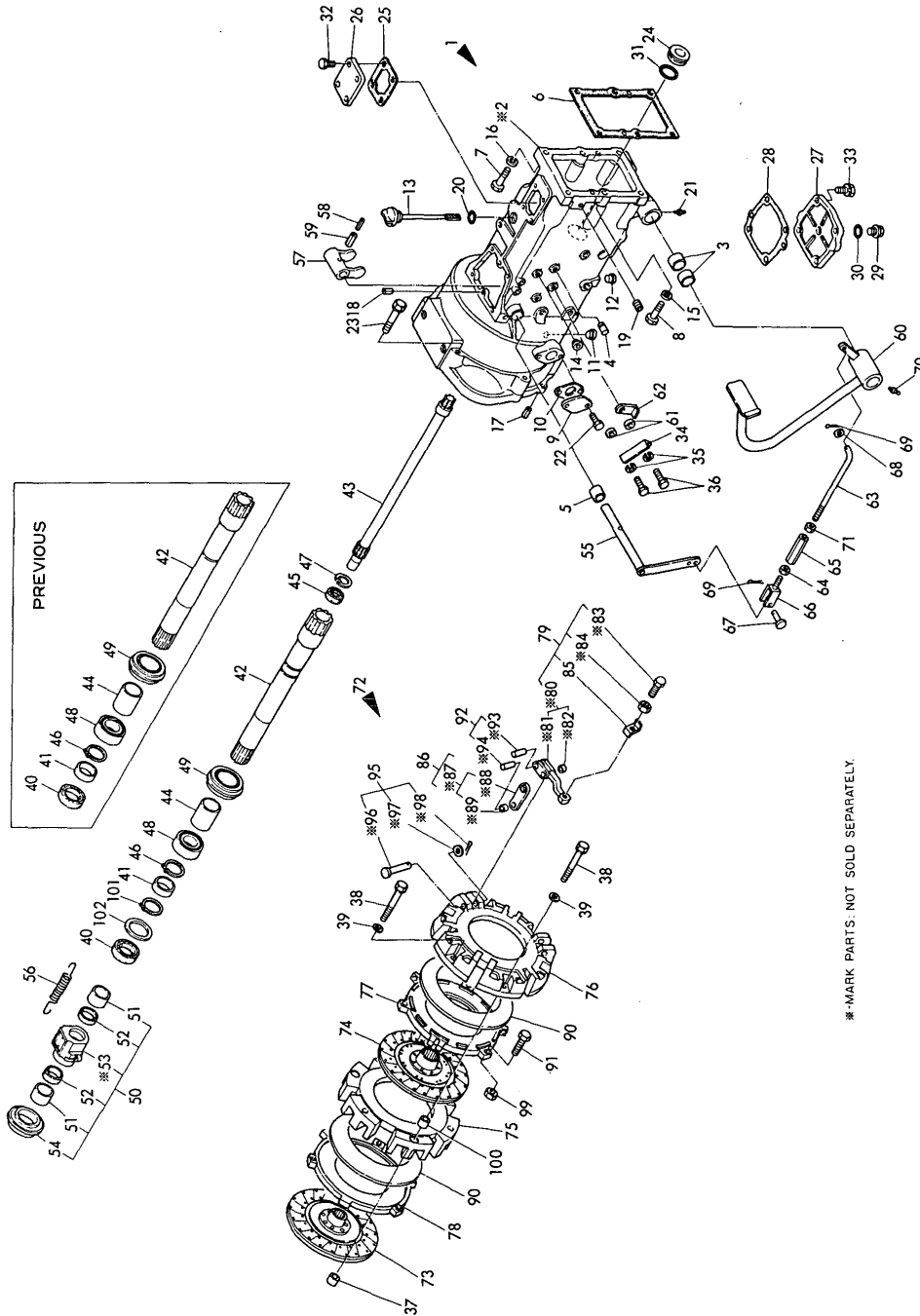
REF.	LEV.	PARTS NO.	DESCRIPTION	Q'TY						I	R
				(A)	(B)	(C)	(D)	(E)	(F)		
		(A=T/# 00292)									
60	1	22351-060032	SPRING PIN 6X32	1							
60-1	1	22351-080032	SPRING PIN 8X32	1						S	1
		(A=T/# 00216)									
60-2	1	22351-080040	SPRING PIN 8X40	1						S	
		(A=T/# 00292)									
61	1	194145-22310-X	PEDAL, CLUTCH	1							
62	1	194145-22430	SPACER 18	2							
63	1	194145-22440	LEVER, CLUTCH LOCK	1							
64	1	194274-22470	ROD, CLUTCH	1							
65	1	194150-22480	NUT M10	1							
66	1	194130-37730	TURNBUCKLE M10X70	1							
67	1	194130-37740	ROD, BRAKE	1							
68	1	194080-37781	PIN 8X25	1							
69	1	22137-100000	WASHER 10,POLISHED	1							
70	1	22417-200300	COTTER PIN 2.0X30	2							
71	1	24764-010000	NIPPLE M6F, GREASE	1							
71-1	1	24761-010000	NIPPLE M6F, GREASE	1							R
		(A=)									
72	1	26716-100002	NUT M10	1							
73	1	194274-21400	CLUTCH ASSY, DUAL	1							
74	2	194274-21410	DISC, P.T.O. CLUTCH	1							
75	2	194274-21420	DISC, MAIN CLUTCH	1							
76	2	194274-21730	COVER (A), CLUTCH	1							
77	2	194274-21740	COVER (B), CLUTCH	1							
78	2	194274-21710	PLATE (A), PRESSURE	1							
79	2	194274-21720	PLATE (B), PRESSURE	1							
80	2	194274-21800	LEVER ASSY, RELEASE	1							
87	2	194274-21600	ROD ASSY, RELEASE	1							
91	2	194274-21640	SPRING, DIAPHRAGM	2							
92	2	194274-21670	BOLT	3							
93	2	194274-21500	PIN KIT, (A)	1							
96	2	194274-21900	PIN KIT, (B)	1							
100-1	2	194274-21690	NUT M10	3							
101	2	194274-21550	PIN, KNOCK	2							
102	1	24164-000352	CIRCLIP 35	1							W
		(A=)									
103	1	194464-22151	SPACER	1							W
		(A=)									

Fig.38. CLUTCH(B),YM330D(W/LIVE),PG.

(A)=YM330  
(B)=YM330D  
(C)=

(D)=  
(E)=  
(F)=

Fig. 38 CLUTCH (B-2), FOR MODEL YM330 (WITH LIVE)



\* MARK PARTS, NOT SOLD SEPARATELY

REF.	LEV.	PARTS NO.	DESCRIPTION	Q'TY						I	R
				(A)	(B)	(C)	(D)	(E)	(F)		
1	1	194274-21100-X	HOUSING ASSY, CLUTCH	1							
3	2	194146-21120	BUSH 32X36X25	4							
4	2	194150-22250	PIN, HOOK	2							
5	2	194130-22280	BUSH 20X25X25	2							
6	1	194146-21130	GASKET	1							
6-1	1	194146-21131	GASKET	1							R
7	1	194145-21140	BOLT M14X 50	5							
8	1	194145-21150	BOLT M12X 50	1							
9	1	194146-21150-X	COVER, SIDE	1							
10	1	194146-21160	GASKET	1							
11	1	194150-21910	PLUG 11.2	2							
12	1	194150-24270	SCREW CAP 13	10							
13	1	194150-24290	DIPSTICK 33X184	1							
14	1	194275-27750	PLUG 7.8	2							
15	1	22217-120000	WASHER 12,SPRING	1							
16	1	22217-140000	SPRING WASHER 14	5							
17	1	22351-080018	SPRING PIN 8X18	2							
18	1	22351-100018	SPRING PIN 10X18	2							
19	1	23873-010000	PLUG PT 1/8	1							
20	1	24341-000320	O-RING 1A S-32.0	1							
21	1	24764-010000	NIPPLE M6F, GREASE	2							
22	1	26013-080202	BOLT W/WASHER M8X20	2							
23	1	26013-120902	BOLT M12X 90	7							
24	1	194274-21170	PLUG	1							
25	1	194274-21220	GASKET	1							
26	1	194273-21240-X	COVER, UPPER	1							
27	1	194310-24270-X	COVER, LOWER	1							
28	1	194310-24280	GASKET, BOTTOM COVER	1							
29	1	194151-24770	PLUG 14, OIL	1							
30	1	24311-000160	O-RING 1A P-16.0	1							
31	1	24311-000410	O-RING 1A P-41.0	1							
32	1	26013-080222	BOLT M 8X 22	4							
33	1	26013-100302	BOLT M10X 30	4							
34	1	194275-22450-X	BRACKET	1							
35	1	22217-080000	SPRING WASHER 8	2							
36	1	26116-080222	BOLT M 8X 22 PLATED	2							
37	1	194274-21550	PIN, KNOCK	2							
38	1	26013-080802	BOLT M 8X 80	6							
39	1	22137-080000	WASHER 8, POLISHED	6							
40	1	194080-09230	SEAL TC 406212, OIL	1							
41	1	194274-22090	SEAL COLLAR 35X40X17	1							
42	1	194274-22110	SHAFT, MAIN DRIVE	1							
42-1	1	194274-22111	SHAFT, MAIN DRIVE	1							S
43	1	194274-22120	SHAFT, MAIN DRIVE	1							
44	1	194274-22140	COLLAR 35.7X42.7X77	1							
45	1	194274-22190	SEAL TC22 35 8, OIL	1							
46	1	22242-000350	CIRCLIP 35	1							
47	1	22252-000350	CIRCLIP 35	1							
48	1	24101-060074	BALL BEARING	1							
49	1	24121-062074	BALL BEARING	1							
50	1	194274-22150	SLEEVE ASSY, BEARING	1							

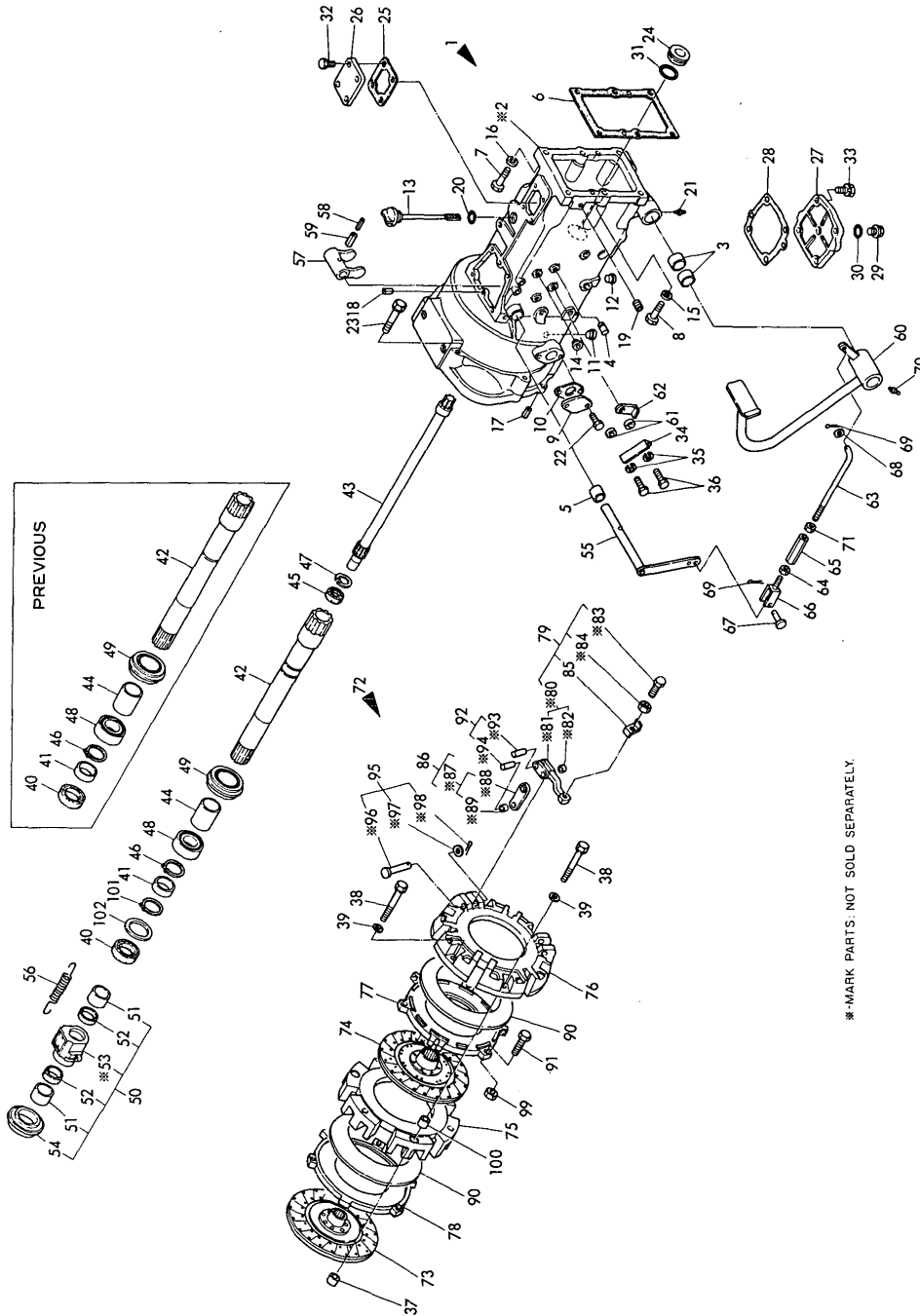
N:Old ↔ New, Q:Old ↔ New, R:Old ↔ New, S:Old ↔ New, W:Add, Z:Discontinued, F:Set Change, K:Q'ty Change  
++ CONTINUE ++ (C)Copy Rights YANMAR CO.,LTD and YANMAR AGRICULTURAL EQUIPMENT CO.,LTD.

Fig.38. CLUTCH(B),YM330D(W/LIVE),PG.

(A)=YM330  
(B)=YM330D  
(C)=

(D)=  
(E)=  
(F)=

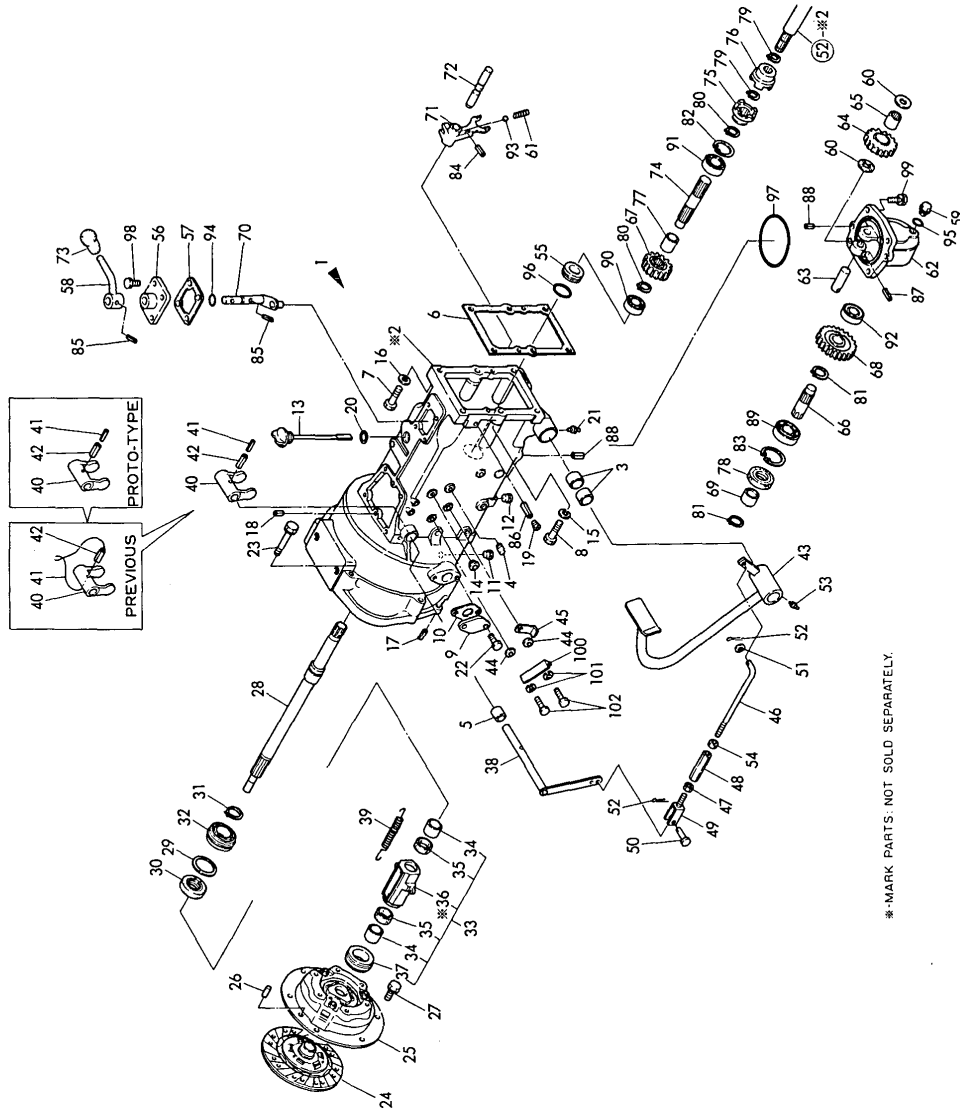
Fig.38 CLUTCH (B-2), FOR MODEL YM330 (WITH LIVE)



REF.	LEV.	PARTS NO.	DESCRIPTION	Q'TY						I	R
				(A)	(B)	(C)	(D)	(E)	(F)		
51	2	194274-22160	BUSH 35X42X32	2							
52	2	194274-22170	FELT	2							
54	2	194274-22290	BEARING, CLUTCH	1							
55	1	194274-22242-X	SHAFT, RELEASE	1							
56	1	194145-22261	SPRING, RETURN	2							
57	1	194274-22312	YOKE, CLUTCH SHIFT	1							
58	1	22351-050040	SPRING PIN 5X40	1							
59	1	22351-080040	SPRING PIN 8X40	1							
60	1	194145-22310-X	PEDAL, CLUTCH	1							
61	1	194145-22430	SPACER 18	2							
62	1	194145-22440	LEVER, CLUTCH LOCK	1							
63	1	194274-22470	ROD, CLUTCH	1							
64	1	194150-22480	NUT M10	1							
65	1	194130-37730	TURNBUCKLE M10X70	1							
66	1	194130-37740	ROD, BRAKE	1							
67	1	194080-37781	PIN 8X25	1							
68	1	22137-100000	WASHER 10,POLISHED	1							
69	1	22417-200300	COTTER PIN 2.0X30	2							
70	1	24764-010000	NIPPLE M6F, GREASE	1							
71	1	26716-100002	NUT M10	1							
72	1	194274-21400	CLUTCH ASSY, DUAL	1							
73	2	194274-21410	DISC, P.T.O. CLUTCH	1							
74	2	194274-21420	DISC, MAIN CLUTCH	1							
75	2	194274-21730	COVER (A), CLUTCH	1							
76	2	194274-21740	COVER (B), CLUTCH	1							
77	2	194274-21710	PLATE (A), PRESSURE	1							
78	2	194274-21720	PLATE (B), PRESSURE	1							
79	2	194274-21800	LEVER ASSY, RELEASE	1							
86	2	194274-21600	ROD ASSY, RELEASE	1							
90	2	194274-21640	SPRING, DIAPHRAGM	2							
91	2	194274-21670	BOLT	3							
92	2	194274-21500	PIN KIT, (A)	1							
95	2	194274-21900	PIN KIT, (B)	1							
99	2	194274-21690	NUT M10	3							
100	2	194274-21550	PIN, KNOCK	2							
101	1	24164-000352	CIRCLIP 35	1							W
102	1	194464-22151	SPACER	1							W

Fig.39. CLUTCH(C),YM330D(WITHOUT LIVE)

Fig.39 CLUTCH (C), FOR MODEL YM330D (WITHOUT LIVE)



Y00T2341 39. CLUTCH(C),YM330D(WITHOUT LIVE)

(A)=YM330  
(B)=YM330D  
(C)=

(D)=  
(E)=  
(F)=

REF.	LEV.	PARTS NO.	DESCRIPTION	Q'TY						I	R
				(A)	(B)	(C)	(D)	(E)	(F)		
1	1	194274-21100-X	HOUSING ASSY, CLUTCH	1							
3	2	194146-21120	BUSH 32X36X25		4						
4	2	194150-22250	PIN, HOOK		2						
5	2	194130-22280	BUSH 20X25X25		2						
6	1	194146-21130	GASKET		1						
6-1	1	194146-21131	GASKET		1						R
(B=*1981.10)											
7	1	194145-21140	BOLT M14X 50		5						
8	1	194145-21150	BOLT M12X 50		1						
9	1	194146-21150-X	COVER, SIDE		1						
10	1	194146-21160	GASKET		1						
10-1	1	194146-21161	GASKET		1						S
(B=*1984.10)											
11	1	194150-21910	PLUG 11.2		2						
12	1	194150-24270	SCREW CAP 13		10						
13	1	194150-24290	DIPSTICK 33X184		1						
14	1	194275-27750	PLUG 7.8		2						
15	1	22217-120000	WASHER 12,SPRING		1						
16	1	22217-140000	SPRING WASHER 14		5						
17	1	22351-080018	SPRING PIN 8X18		2						
18	1	22351-100018	SPRING PIN 10X18		2						
19	1	23873-010000	PLUG PT 1/8		1						
20	1	24341-000320	O-RING 1A S-32.0		1						
21	1	24764-010000	NIPPLE M6F, GREASE		2						
22	1	26013-080202	BOLT W/WASHER M8X20		2						
23	1	26013-120902	BOLT M12X 90		7						
24	1	794081-21400	DISC, CLUTCH		1						
24-1	1	194276-21400	DISC, CLUTCH		1						R
(B=*1)											
25	1	794081-21700	PLATE ASSY, PRESSURE		1						
26	1	194080-21880	PIN 6X18		2						
27	1	26013-080162	BOLT W/WASHER M8X16		6						
28	1	194274-22330	SHAFT, MAIN DRIVE		1						
29	1	194274-22260	SPACER 50X61.5X1		1						
30	1	1E6140-58680	SEAL TC35 62 12, OIL		1						
31	1	22242-000350	CIRCLIP 35		1						
32	1	24121-060074	BALL BEARING		1						
33	1	194274-22370	SLEEVE ASSY, BEARING		1						
34	2	194130-22160	BUSH 25X30X31		2						
35	2	194130-22170	FELT		2						
37	2	194990-42720	BEARING, CLUTCH		1						
38	1	194274-22240-X	SHAFT, RELEASE		1						
38-1	1	194274-22241-X	SHAFT, RELEASE		1						S 1
(B=T/# 00378)											
38-2	1	194274-22242-X	SHAFT, RELEASE		1						S
(B=T/# 00486)											
39	1	194145-22261	SPRING, RETURN		2						
40	1	194274-22310	YOKE, CLUTCH SHIFT		1						
40-1	1	194274-22311	YOKE, CLUTCH SHIFT		1						S 1
(B=T/# 00378)											
40-2	1	194274-22312	YOKE, CLUTCH SHIFT		1						S

N:Old ↔ New, Q:Old ↔ New, R:Old ↔ New, S:Old ↔ New, W:Add, Z:Discontinued, F:Set Change, K:Q'ty Change

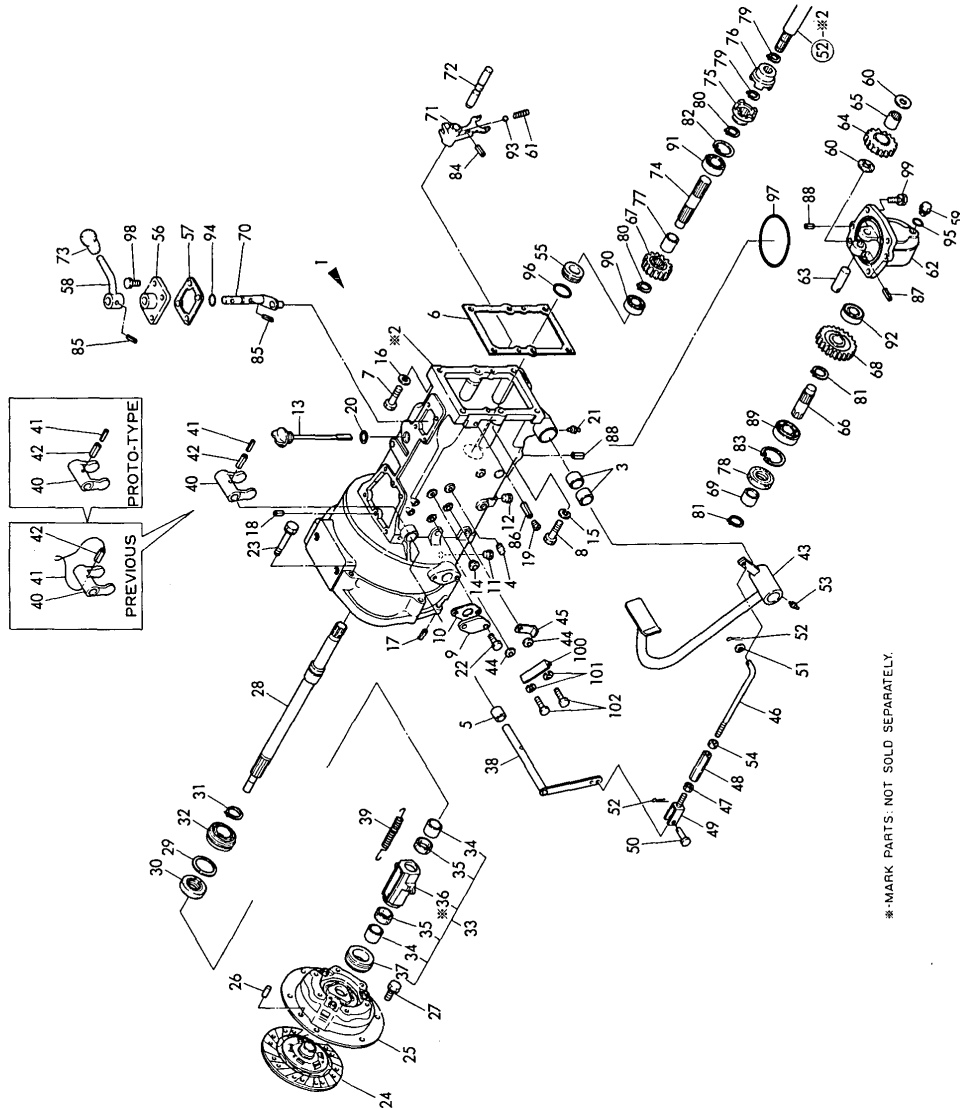
++ CONTINUE ++

(C)Copy Rights YANMAR CO.,LTD and YANMAR AGRICULTURAL EQUIPMENT CO.,LTD.



Fig.39. CLUTCH(C),YM330D(WITHOUT LIVE)

Fig.39 CLUTCH (C), FOR MODEL YM330D (WITHOUT LIVE)



(A)=YM330  
(B)=YM330D  
(C)=

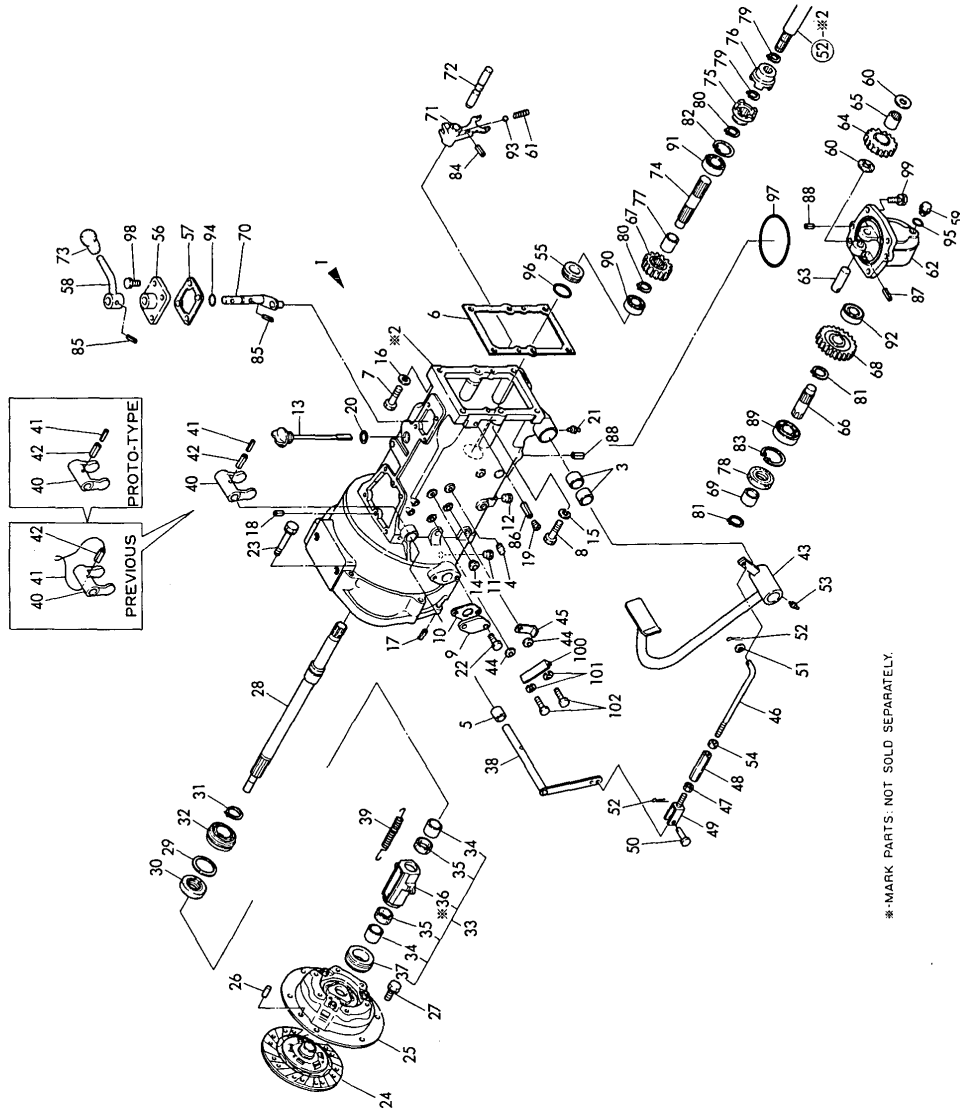
(D)=  
(E)=  
(F)=

REF.	LEV.	PARTS NO.	DESCRIPTION	Q'TY						I	R
				(A)	(B)	(C)	(D)	(E)	(F)		
			(B=T/# 00486)								
41	1	22351-035032	SPRING PIN 3.5X32		1						
41-1	1	22451-160000	WIRE 1.6		1					S	1
			(B=T/# 00378)								
41-2	1	22351-050040	SPRING PIN 5X40		1					S	
			(B=T/# 00486)								
42	1	22351-060032	SPRING PIN 6X32		1						
42-1	1	22351-080032	SPRING PIN 8X32		1					S	1
			(B=T/# 00378)								
42-2	1	22351-080040	SPRING PIN 8X40		1					S	
			(B=T/# 00486)								
43	1	194145-22310-X	PEDAL, CLUTCH		1						
44	1	194145-22430	SPACER 18		2						
45	1	194145-22440	LEVER, CLUTCH LOCK		1						
46	1	194190-22471	ROD, CLUTCH		1						
47	1	194150-22480	NUT M10		1						
48	1	194151-37730	TURNBUCKLE M10X90		1						
49	1	194130-37740	ROD, BRAKE		1						
50	1	194080-37781	PIN 8X25		1						
51	1	22137-100000	WASHER 10,POLISHED		2						
52	1	22417-200300	COTTER PIN 2.0X30		2						
53	1	24764-010000	NIPPLE M6F, GREASE		1						
54	1	26716-100002	NUT M10		1						
55	1	194274-21170	PLUG		1						
56	1	194274-21210-X	COVER		1						
57	1	194274-21220	GASKET		1						
58	1	194146-22610	LEVER, SHIFT		1						
59	1	194151-24770	PLUG 14, OIL		1						
60	1	194150-25231	WASHER 20X38X4		2						
61	1	194145-27450	SPRING		1						
62	1	194274-28110-X	HOUSING, FRONT DRIVE		1						
62A	1	194274-28131-X	HOUSING, FRONT DRIVE		1						2
63	1	194241-28151	SHAFT, FRONT IDLE		1						
64	1	194274-28160	GEAR, FRONT IDLE		1						
64A	1	194274-28171	GEAR, FRONT IDLE		1						2
65	1	194241-28180	NEEDLE BEARING		1						
66	1	194274-28210	SHAFT, FRONT DRIVE		1						
67	1	194241-28220	GEAR, FRONT DRIVE		1						
68	1	194274-28220	GEAR, FRONT DRIVE		1						
68A	1	194274-28231	GEAR, FRONT DRIVE		1						2
69	1	194274-28240	SEAL COLLAR 30X35X17		1						
70	1	194274-28310	ARM, FRONT SHIFT		1						
71	1	194274-28320	FORK, FRONT SHIFT		1						
72	1	194274-28340	SHAFT, FRONT FORK		1						
73	1	194191-28480	KNOB		1						
74	1	194274-28510	SHAFT, FRONT CLUTCH		1						
75	1	194241-28520	CLUTCH (A)		1						
76	1	194241-28530	CLUTCH (B)		1						
77	1	194274-28540	COLLAR 26X34X33		1						
78	1	1A3990-99030	SEAL TC35 55 11, OIL		1						
79	1	22242-000190	CIRCLIP 19		2						

\*-MARK PARTS: NOT SOLD SEPARATELY.

Fig.39. CLUTCH(C),YM330D(WITHOUT LIVE)

**39** CLUTCH (C), FOR MODEL YM330D (WITHOUT LIVE)



(A)=YM330  
(B)=YM330D  
(C)=

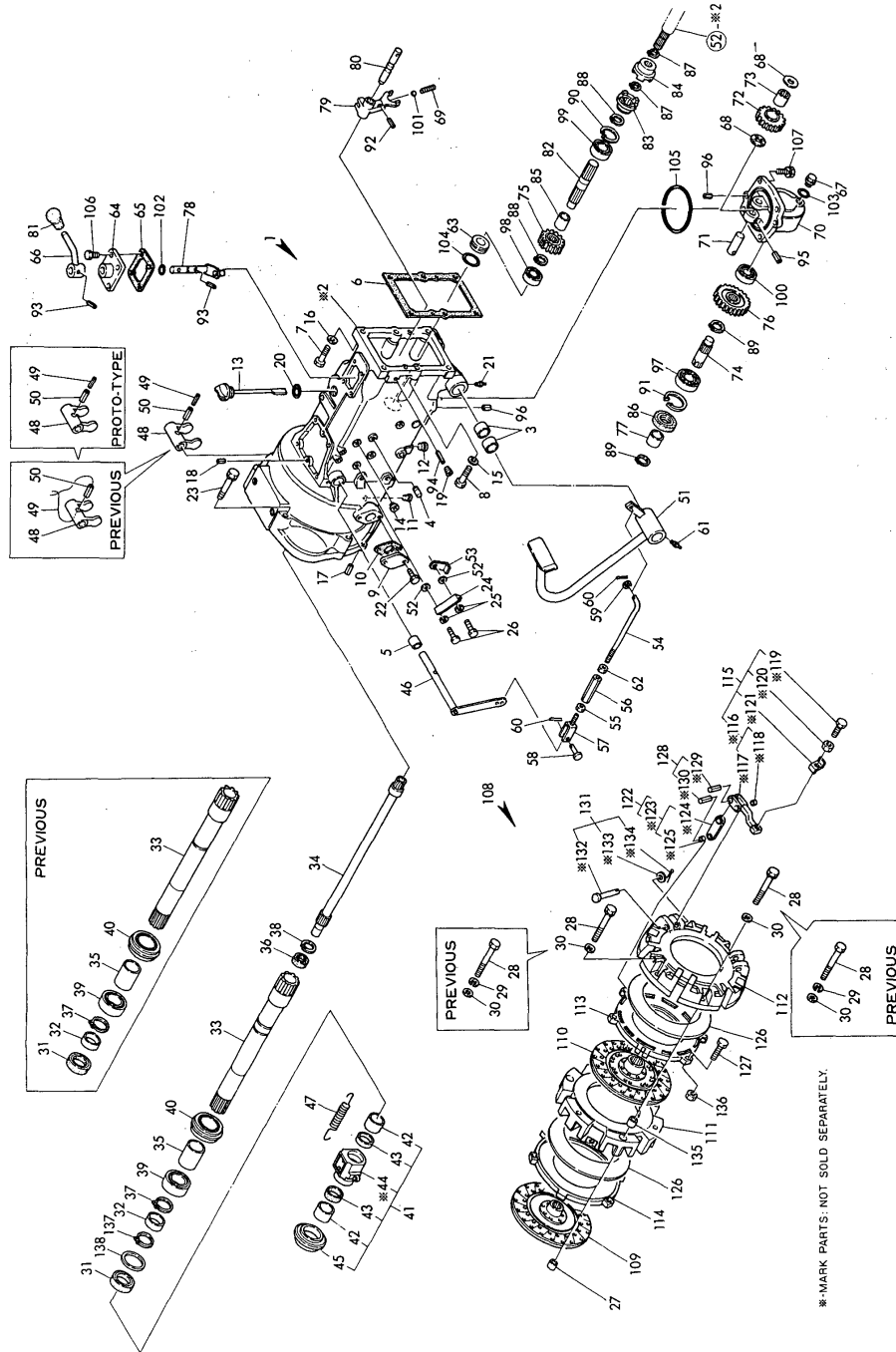
(D)=  
(E)=  
(F)=

REF.	LEV.	PARTS NO.	DESCRIPTION	Q'TY						I	R
				(A)	(B)	(C)	(D)	(E)	(F)		
80	1	22242-000240	CIRCLIP 24		2						
81	1	22242-000290	CIRCLIP 29		2						
82	1	22252-000520	CIRCLIP 52		1						
83	1	22252-000550	CIRCLIP 55		1						
84	1	22351-030020	SPRING PIN 3X20		1						
85	1	22351-060025	SPRING PIN 6X25		2						
86	1	22351-060025	SPRING PIN 6X25		1						
87	1	22351-060036	SPRING PIN 6X36		1						
88	1	22351-100018	SPRING PIN 10X18		2						
89	1	24101-060064	BALL BEARING		1						
90	1	24101-062044	BALL BEARING		1						
91	1	24101-062054	BEARING #6205		1						
92	1	24101-062054	BEARING #6205		1						
93	1	24190-100001	BALL 5/16, STEEL		1						
94	1	24311-000120	O-RING 1A P 12.0		1						
95	1	24311-000160	O-RING 1A P-16.0		1						
96	1	24311-000410	O-RING 1A P-41.0		1						
97	1	24321-001250	O-RING 1A G125.0		1						
98	1	26013-080222	BOLT M 8X 22		4						
99	1	26013-100302	BOLT M10X 30		4						
100	1	194275-22450-X	BRACKET		1						
101	1	22217-080000	SPRING WASHER 8		2						
102	1	26116-080222	BOLT M 8X 22 PLATED		2						

\*-MARK PARTS: NOT SOLD SEPARATELY.

Fig.40. CLUTCH(D),YM330D(W/LIVE),USA

Fig.40 CLUTCH (D-1), FOR MODEL YM330D (WITH LIVE)



(A)=YM330  
(B)=YM330D  
(C)=

(D)=  
(E)=  
(F)=

REF.	LEV.	PARTS NO.	DESCRIPTION	Q'TY						I	R
				(A)	(B)	(C)	(D)	(E)	(F)		
1	1	194274-21100-X	HOUSING ASSY, CLUTCH		1						
3	2	194146-21120	BUSH 32X36X25		4						
4	2	194150-22250	PIN, HOOK		2						
5	2	194130-22280	BUSH 20X25X25		2						
6	1	194146-21130	GASKET		1						
6-1	1	194146-21131	GASKET		1						N
(B=**1981.10)											
7	1	194145-21140	BOLT M14X 50		5						
8	1	194145-21150	BOLT M12X 50		1						
9	1	194146-21150-X	COVER, SIDE		1						
10	1	194146-21160	GASKET		1						
10-1	1	194146-21161	GASKET		1						S
(B=*1984.10)											
11	1	194150-21910	PLUG 11.2		2						
12	1	194150-24270	SCREW CAP 13		10						
13	1	194150-24290	DIPSTICK 33X184		1						
14	1	194275-27750	PLUG 7.8		2						
15	1	22217-120000	WASHER 12,SPRING		1						
16	1	22217-140000	SPRING WASHER 14		5						
17	1	22351-080018	SPRING PIN 8X18		2						
18	1	22351-100018	SPRING PIN 10X18		2						
19	1	23873-010000	PLUG PT 1/8		1						
20	1	24341-000320	O-RING 1A S-32.0		1						
21	1	24764-010000	NIPPLE M6F, GREASE		2						
22	1	26013-080202	BOLT W/WASHER M8X20		2						
23	1	26013-120902	BOLT M12X 90		7						
24	1	194275-22450-X	BRACKET		1						
25	1	22217-080000	SPRING WASHER 8		2						
26	1	26116-080222	BOLT M 8X 22 PLATED		2						
27	1	194274-21550	PIN, KNOCK		2						
28	1	26116-080822	BOLT M 8X 82 PLATED		6						
28-1	1	26013-080802	BOLT M 8X 80		6						R
(B=*)											
29	1	22217-080000	SPRING WASHER 8		6						Z
(B=*)											
30	1	22137-080000	WASHER 8, POLISHED		6						
31	1	194080-09230	SEAL TC 406212, OIL		1						
31-1	1	24421-406212	SEAL TC 406212, OIL	1	1						R
(B=*1985.01)											
32	1	194274-22090	SEAL COLLAR 35X40X17		1						
33	1	194274-22110	SHAFT, MAIN DRIVE		1						
33-1	1	194274-22111	SHAFT, MAIN DRIVE		1						N
(B=*1981.09)											
34	1	194274-22120	SHAFT, MAIN DRIVE		1						
35	1	194274-22140	COLLAR 35.7X42.7X77		1						
36	1	194274-22190	SEAL TC22 35 8, OIL		1						
36-1	1	24421-223508	SEAL TC22 35 08, OIL	1	1						R
(B=*1985.01)											
37	1	22242-000350	CIRCLIP 35		1						
38	1	22252-000350	CIRCLIP 35		1						
39	1	24101-060074	BALL BEARING		1						

N:Old ↔ New, Q:Old ↔ New, R:Old ↔ New, S:Old ↔ New, W:Add, Z:Discontinued, F:Set Change, K:Q'ty Change  
 ++ CONTINUE ++  
 (C)Copy Rights YANMAR CO.,LTD and YANMAR AGRICULTURAL EQUIPMENT CO.,LTD.

Fig.40. CLUTCH(D),YM330D(W/LIVE),USA

(A)=YM330  
(B)=YM330D  
(C)=

(D)=  
(E)=  
(F)=

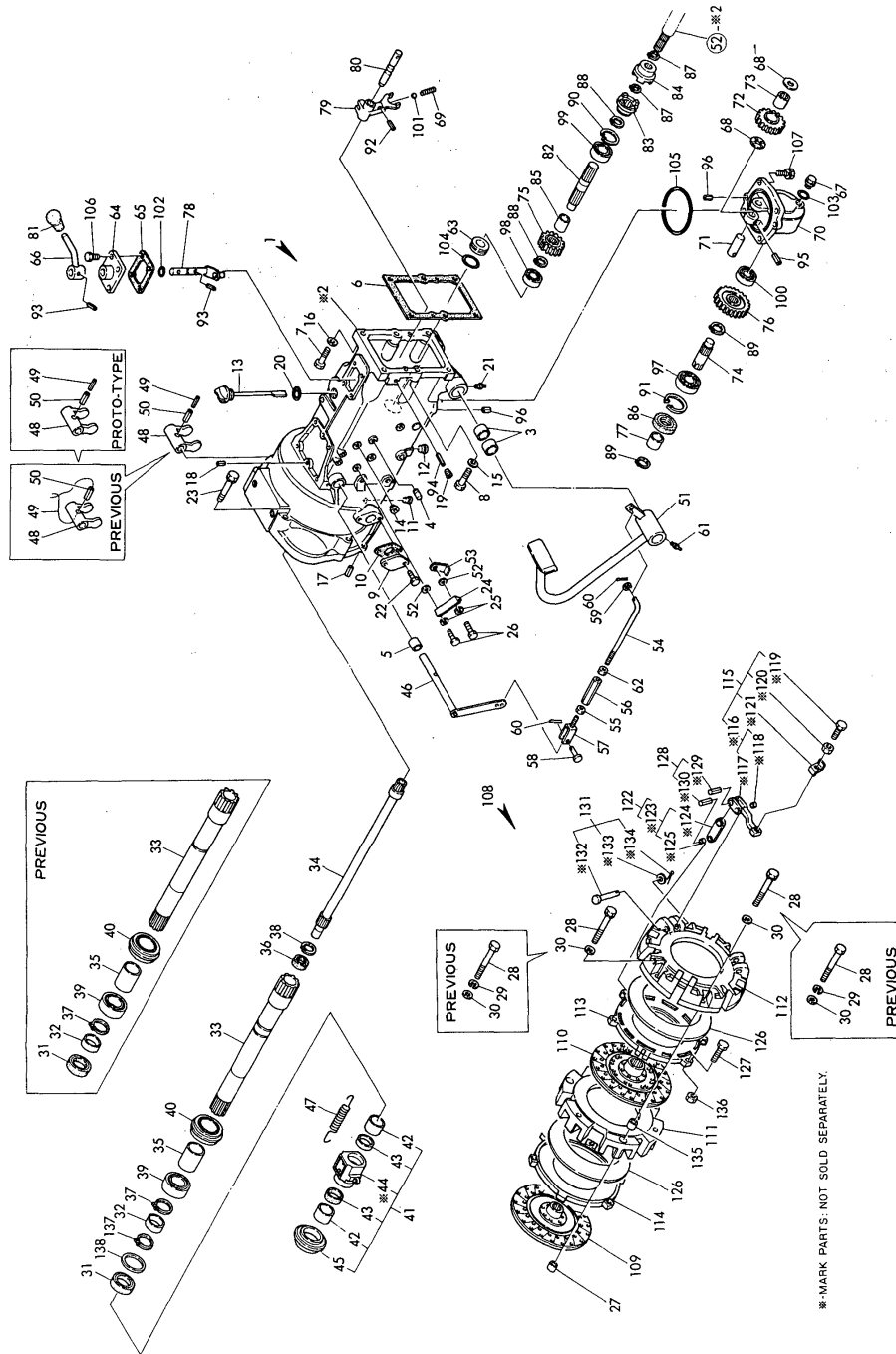


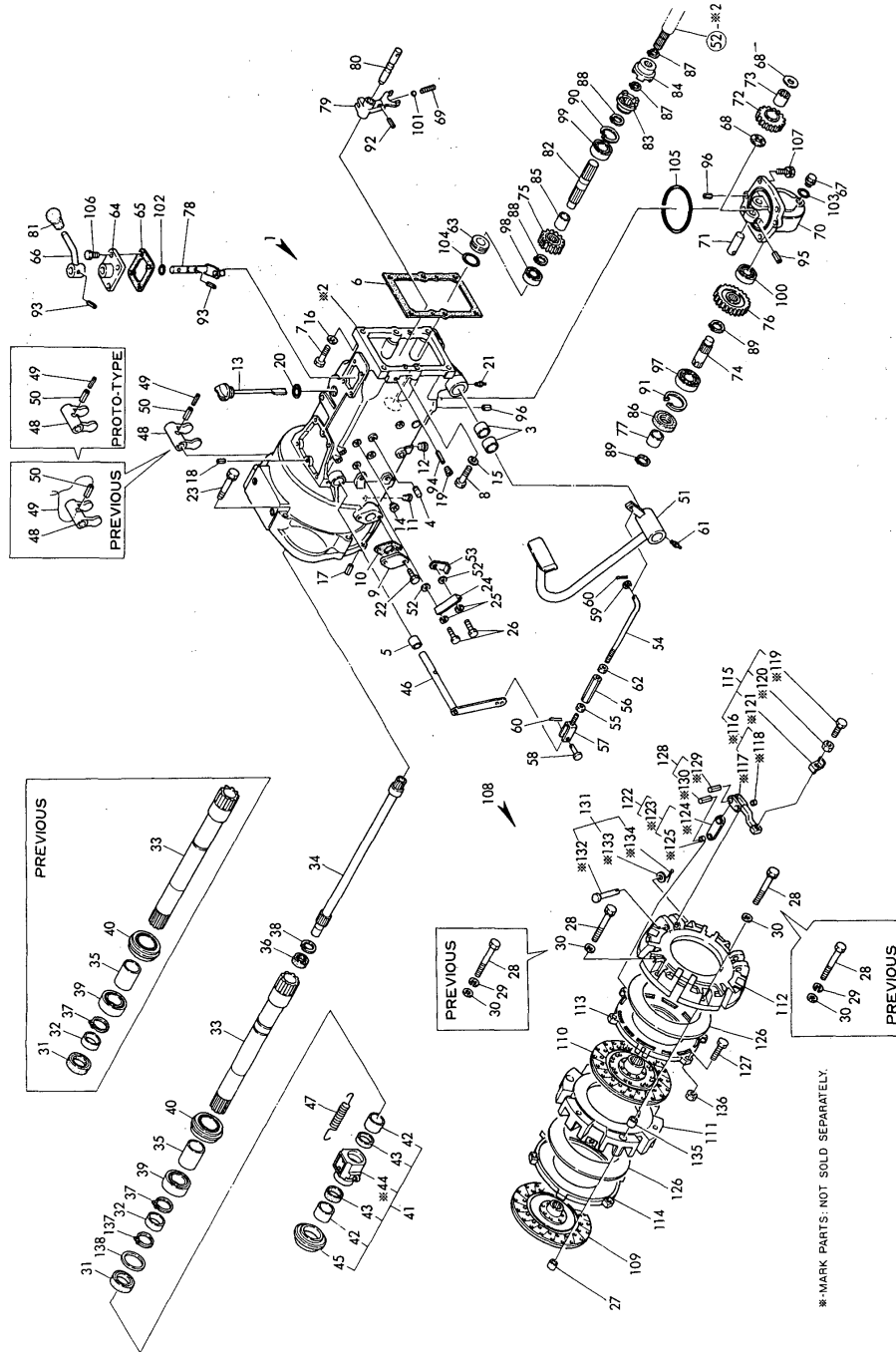
Fig.40 CLUTCH (D-1), FOR MODEL YM330D (WITH LIVE)

REF.	LEV.	PARTS NO.	DESCRIPTION	Q'TY						I	R
				(A)	(B)	(C)	(D)	(E)	(F)		
40	1	24121-062074	BALL BEARING		1						
41	1	194274-22150	SLEEVE ASSY, BEARING		1						
42	2	194274-22160	BUSH 35X42X32				2				
43	2	194274-22170	FELT		2						
45	2	194274-22290	BEARING, CLUTCH		1						
46	1	194274-22240-X	SHAFT, RELEASE		1						
46-1	1	194274-22241-X (B=T/# 00378)	SHAFT, RELEASE		1						S 1
46-2	1	194274-22242-X (B=T/# 00486)	SHAFT, RELEASE		1						S
47	1	194145-22261	SPRING, RETURN		2						
48	1	194274-22310	YOKE, CLUTCH SHIFT		1						
48-1	1	194274-22311 (B=T/# 00378)	YOKE, CLUTCH SHIFT		1						S 1
48-2	1	194274-22312 (B=T/# 00486)	YOKE, CLUTCH SHIFT		1						S
49	1	22351-035032	SPRING PIN 3.5X32		1						
49-1	1	22451-160000 (B=T/# 00378)	WIRE 1.6		1						S 1
49-2	1	22351-050040 (B=T/# 00486)	SPRING PIN 5X40		1						S
50	1	22351-060032	SPRING PIN 6X32		1						
50-1	1	22351-080032 (B=T/# 00378)	SPRING PIN 8X32		1						S 1
50-2	1	22351-080040 (B=T/# 00486)	SPRING PIN 8X40		1						S
51	1	194145-22310-X	PEDAL, CLUTCH		1						
52	1	194145-22430	SPACER 18		2						
53	1	194145-22440	LEVER, CLUTCH LOCK		1						
54	1	194274-22470	ROD, CLUTCH		1						
55	1	194150-22480	NUT M10		1						
56	1	194130-37730	TURNBUCKLE M10X70		1						
57	1	194130-37740	ROD, BRAKE		1						
58	1	194080-37781	PIN 8X25		1						
59	1	22137-100000	WASHER 10,POLISHED		1						
60	1	22417-200300	COTTER PIN 2.0X30		2						
61	1	24764-010000	NIPPLE M6F, GREASE		1						
61-1	1	24761-010000 (B=*)	NIPPLE M6F, GREASE		1						R
62	1	26716-100002	NUT M10		1						
63	1	194274-21170	PLUG		1						
64	1	194274-21210-X	COVER		1						
65	1	194274-21220	GASKET		1						
66	1	194146-22610	LEVER, SHIFT		1						
67	1	194151-24770	PLUG 14, OIL		1						
68	1	194150-25231	WASHER 20X38X4		2						
69	1	194145-27450	SPRING		1						
70	1	194274-28110-X	HOUSING, FRONT DRIVE		1						
70A	1	194274-28131-X	HOUSING, FRONT DRIVE		1						2
71	1	194241-28151	SHAFT, FRONT IDLE		1						
72	1	194274-28160	GEAR, FRONT IDLE		1						

N:Old ↔ New, Q:Old ↔ New, R:Old ↔ New, S:Old ↔ New, W:Add, Z:Discontinued, F:Set Change, K:Q'ty Change  
++ CONTINUE ++ (C)Copy Rights YANMAR CO.,LTD and YANMAR AGRICULTURAL EQUIPMENT CO.,LTD.

Fig.40. CLUTCH(D),YM330D(W/LIVE),USA

Fig.40 CLUTCH (D-1), FOR MODEL YM330D (WITH LIVE)



(A)=YM330  
(B)=YM330D  
(C)=

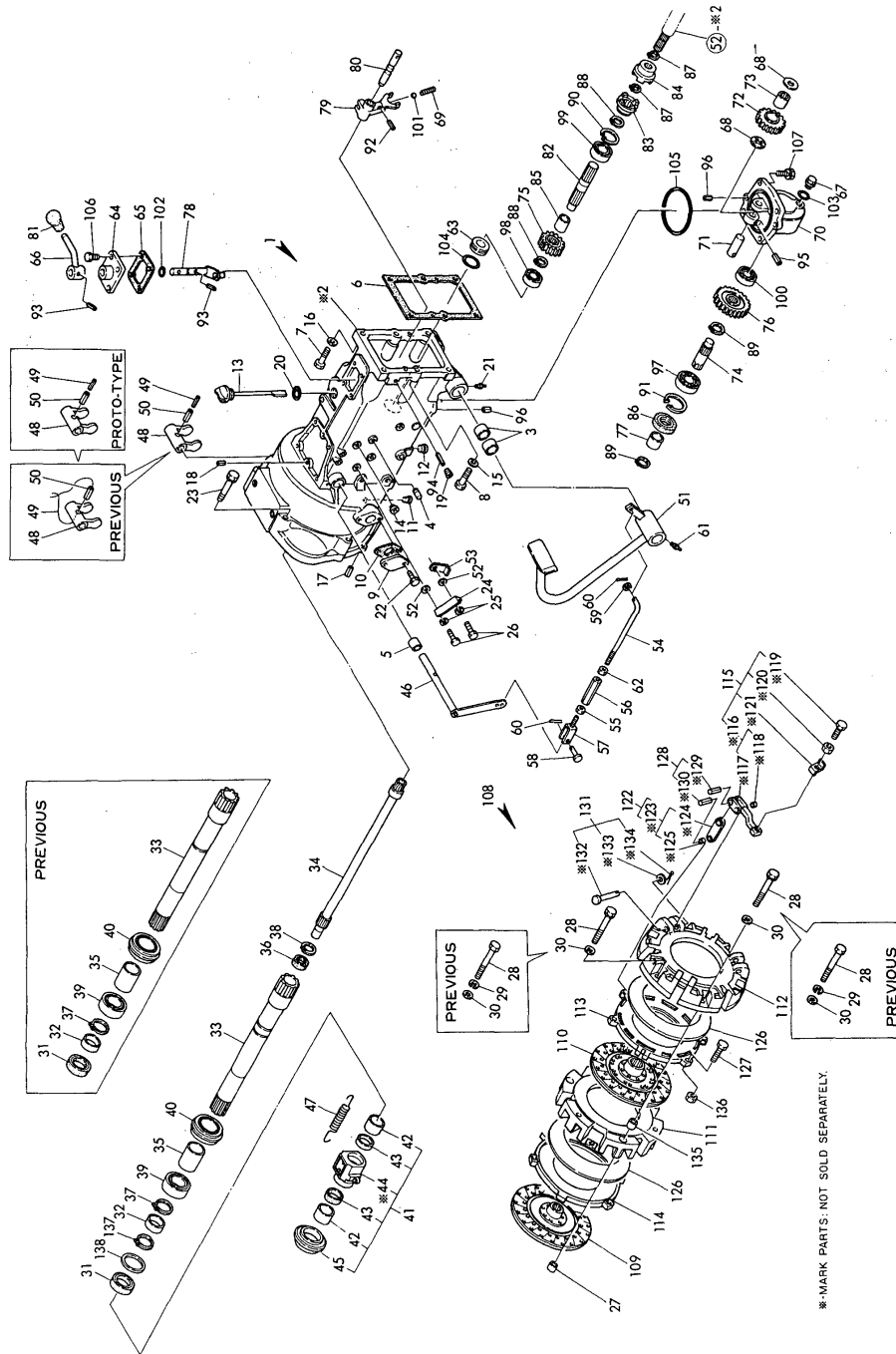
(D)=  
(E)=  
(F)=

REF.	LEV.	PARTS NO.	DESCRIPTION	Q'TY						I	R
				(A)	(B)	(C)	(D)	(E)	(F)		
72A	1	194274-28171	GEAR, FRONT IDLE		1						2
73	1	194241-28180	NEEDLE BEARING		1						
74	1	194274-28210	SHAFT, FRONT DRIVE		1						
75	1	194241-28220	GEAR, FRONT DRIVE		1						
76	1	194274-28220	GEAR, FRONT DRIVE		1						
76A	1	194274-28231	GEAR, FRONT DRIVE		1						2
77	1	194274-28240	SEAL COLLAR 30X35X17		1						
78	1	194274-28310	ARM, FRONT SHIFT		1						
79	1	194274-28320	FORK, FRONT SHIFT		1						
80	1	194274-28340	SHAFT, FRONT FORK		1						
81	1	194191-28480	KNOB		1						
82	1	194274-28510	SHAFT, FRONT CLUTCH		1						
83	1	194241-28520	CLUTCH (A)		1						
84	1	194241-28530	CLUTCH (B)		1						
85	1	194274-28540	COLLAR 26X34X33		1						
86	1	1A3990-99030	SEAL TC35 55 11, OIL		1						
87	1	22242-000190	CIRCLIP 19		2						
88	1	22242-000240	CIRCLIP 24		2						
89	1	22242-000290	CIRCLIP 29		2						
90	1	22252-000520	CIRCLIP 52		1						
91	1	22252-000550	CIRCLIP 55		1						
92	1	22351-030020	SPRING PIN 3X20		1						
93	1	22351-060025	SPRING PIN 6X25		2						
94	1	22351-060025	SPRING PIN 6X25		1						
95	1	22351-060036	SPRING PIN 6X36		1						
96	1	22351-100018	SPRING PIN 10X18		2						
97	1	24101-060064	BALL BEARING		1						
98	1	24101-062044	BALL BEARING		1						
99	1	24101-062054	BEARING #6205		1						
100	1	24101-062054	BEARING #6205		1						
101	1	24190-100001	BALL 5/16, STEEL		1						
102	1	24311-000120	O-RING 1A P-12.0		1						
103	1	24311-000160	O-RING 1A P-16.0		1						
104	1	24311-000410	O-RING 1A P-41.0		1						
105	1	24321-001250	O-RING 1A G125.0		1						
106	1	26013-080222	BOLT M 8X 22		4						
107	1	26013-100302	BOLT M10X 30		4						
108-1	1	194274-21400	CLUTCH ASSY, DUAL		1						
109	2	194274-21410	DISC, P.T.O. CLUTCH		1						
110	2	194274-21420	DISC, MAIN CLUTCH		1						
111	2	194274-21730	COVER (A), CLUTCH		1						
112	2	194274-21740	COVER (B), CLUTCH		1						
113	2	194274-21710	PLATE (A), PRESSURE		1						
114	2	194274-21720	PLATE (B), PRESSURE		1						
115	2	194274-21800	LEVER ASSY, RELEASE		1						
122	2	194274-21600	ROD ASSY, RELEASE		1						
126	2	194274-21640	SPRING, DIAPHRAGM		2						
127	2	194274-21670	BOLT		3						
128	2	194274-21500	PIN KIT, (A)		1						
131	2	194274-21900	PIN KIT, (B)		1						
135	2	194274-21550	PIN, KNOCK		2						

N:Old ↔ New, Q:Old ↔ New, R:Old ↔ New, S:Old ↔ New, W:Add, Z:Discontinued, F:Set Change, K:Q'ty Change  
++ CONTINUE ++ (C)Copy Rights YANMAR CO.,LTD and YANMAR AGRICULTURAL EQUIPMENT CO.,LTD.

Fig.40. CLUTCH(D),YM330D(W/LIVE),USA

Fig.40 CLUTCH (D-1), FOR MODEL YM330D (WITH LIVE)



(A)=YM330  
(B)=YM330D  
(C)=

(D)=  
(E)=  
(F)=

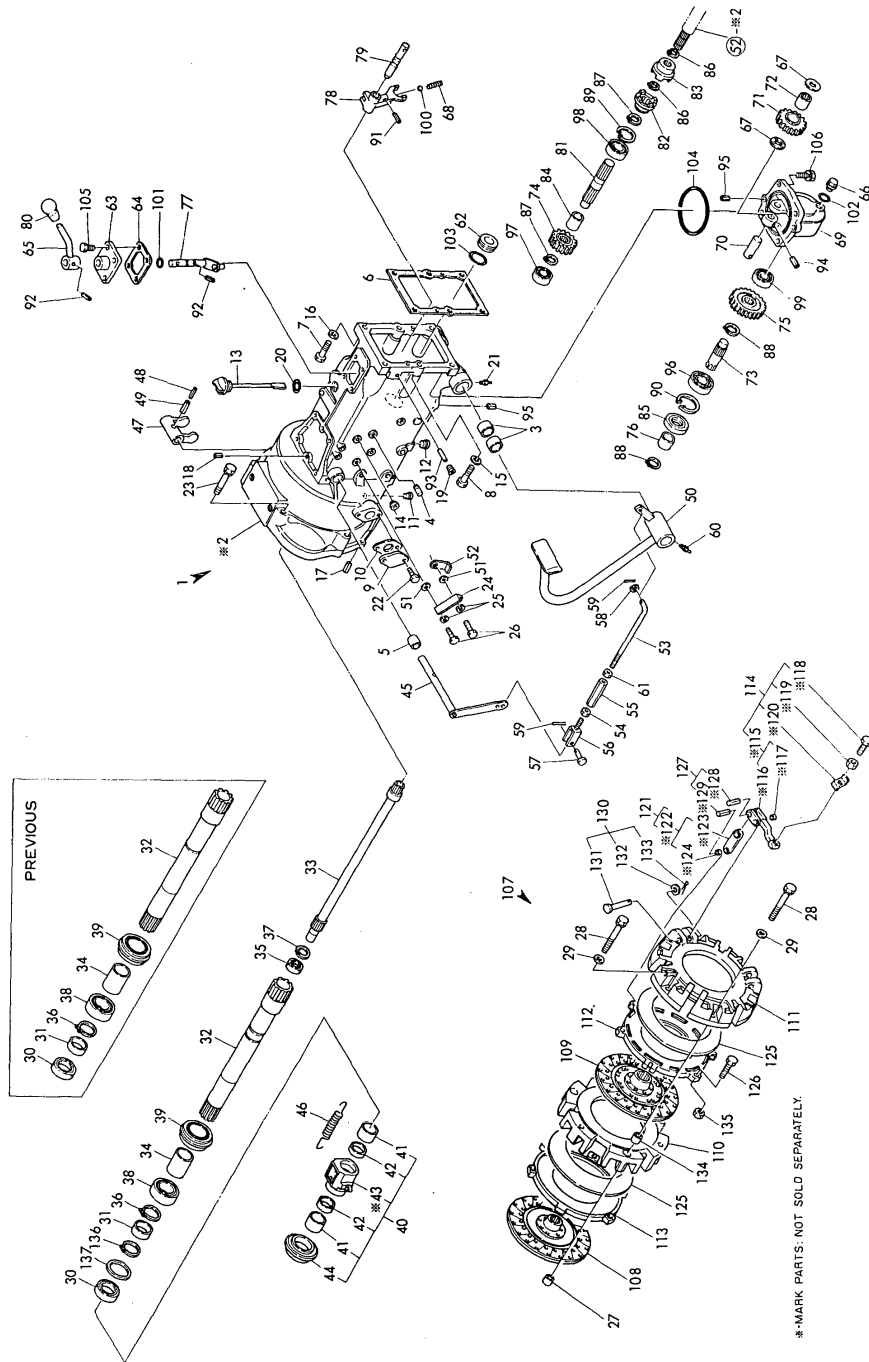
REF.	LEV.	PARTS NO.	DESCRIPTION	Q'TY						I	R
				(A)	(B)	(C)	(D)	(E)	(F)		
136	2	194274-21690	NUT M10		3						
137	1	24164-000352	CIRCLIP 35		1						W
		(B=*)									
138	1	194464-22151	SPACER		1						W
		(B=*)									

Fig.41. CLUTCH(D),YM330D(W/LIVE),PG.

(A)=YM330  
(B)=YM330D  
(C)=

(D)=  
(E)=  
(F)=

Fig.41 CLUTCH (D-2), FOR MODEL YM330D (WITH LIVE)



REF.	LEV.	PARTS NO.	DESCRIPTION	Q'TY						I	R
				(A)	(B)	(C)	(D)	(E)	(F)		
1	1	194274-21100-X	HOUSING ASSY, CLUTCH		1						
3	2	194146-21120	BUSH 32X36X25			4					
4	2	194150-22250	PIN, HOOK			2					
5	2	194130-22280	BUSH 20X25X25			2					
6	1	194146-21130	GASKET		1						
6-1	1	194146-21131	GASKET		1						R
7	1	194145-21140	BOLT M14X 50		5						
8	1	194145-21150	BOLT M12X 50		1						
9	1	194146-21150-X	COVER, SIDE		1						
10	1	194146-21160	GASKET		1						
11	1	194150-21910	PLUG 11.2		1						
12	1	194150-24270	SCREW CAP 13		10						
13	1	194150-24290	DIPSTICK 33X184		1						
14	1	194275-27750	PLUG 7.8		2						
15	1	22217-120000	WASHER 12,SPRING		1						
16	1	22217-140000	SPRING WASHER 14		5						
17	1	22351-080018	SPRING PIN 8X18		2						
18	1	22351-100018	SPRING PIN 10X18		2						
19	1	23873-010000	PLUG PT 1/8		1						
20	1	24341-000320	O-RING 1A S-32.0		1						
21	1	24764-010000	NIPPLE M6F, GREASE		2						
22	1	26013-080202	BOLT W/WASHER M8X20		2						
23	1	26013-120902	BOLT M12X 90		7						
24	1	194275-22450-X	BRACKET		1						
25	1	22217-080000	SPRING WASHER 8		2						
26	1	26116-080222	BOLT M 8X 22 PLATED		2						
27	1	194274-21550	PIN, KNOCK		2						
28	1	26013-080802	BOLT M 8X 80		6						
29	1	22137-080000	WASHER 8, POLISHED		6						
30	1	194080-09230	SEAL TC 406212, OIL		1						
31	1	194274-22090	SEAL COLLAR 35X40X17		1						
32	1	194274-22110	SHAFT, MAIN DRIVE		1						
32-1	1	194274-22111	SHAFT, MAIN DRIVE		1						S
33	1	194274-22120	SHAFT, MAIN DRIVE		1						
34	1	194274-22140	COLLAR 35.7X42.7X77		1						
35	1	194274-22190	SEAL TC22 35 8, OIL		1						
36	1	22242-000350	CIRCLIP 35		1						
37	1	22252-000350	CIRCLIP 35		1						
38	1	24101-060074	BALL BEARING		1						
39	1	24121-062074	BALL BEARING		1						
40	1	194274-22150	SLEEVE ASSY, BEARING		1						
41	2	194274-22160	BUSH 35X42X32		2						
42	2	194274-22170	FELT		2						
44	2	194274-22290	BEARING, CLUTCH		1						
45	1	194274-22242-X	SHAFT, RELEASE		1						
46	1	194145-22261	SPRING, RETURN		2						
47	1	194274-22312	YOKE, CLUTCH SHIFT		1						
48	1	22351-050040	SPRING PIN 5X40		1						
49	1	22351-080040	SPRING PIN 8X40		1						
50	1	194145-22310-X	PEDAL, CLUTCH		1						
51	1	194145-22430	SPACER 18		2						

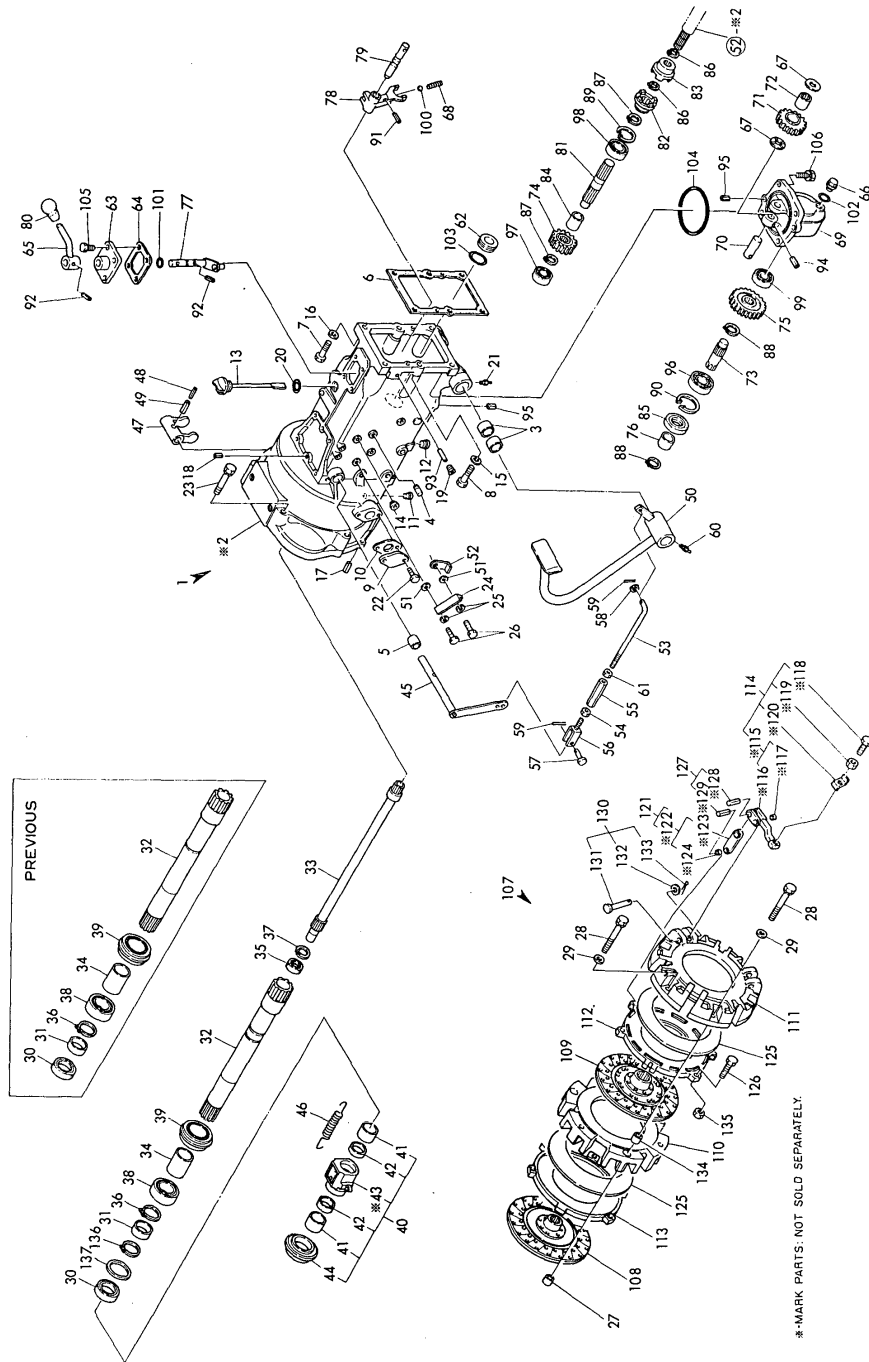
N:Old ↔ New, Q:Old ↔ New, R:Old ↔ New, S:Old ↔ New, W:Add, Z:Discontinued, F:Set Change, K:Q'ty Change  
++ CONTINUE ++ (C)Copy Rights YANMAR CO.,LTD and YANMAR AGRICULTURAL EQUIPMENT CO.,LTD.

Fig.41. CLUTCH(D),YM330D(W/LIVE),PG.

(A)=YM330  
(B)=YM330D  
(C)=

(D)=  
(E)=  
(F)=

Fig.41 CLUTCH (D-2), FOR MODEL YM330D (WITH LIVE)



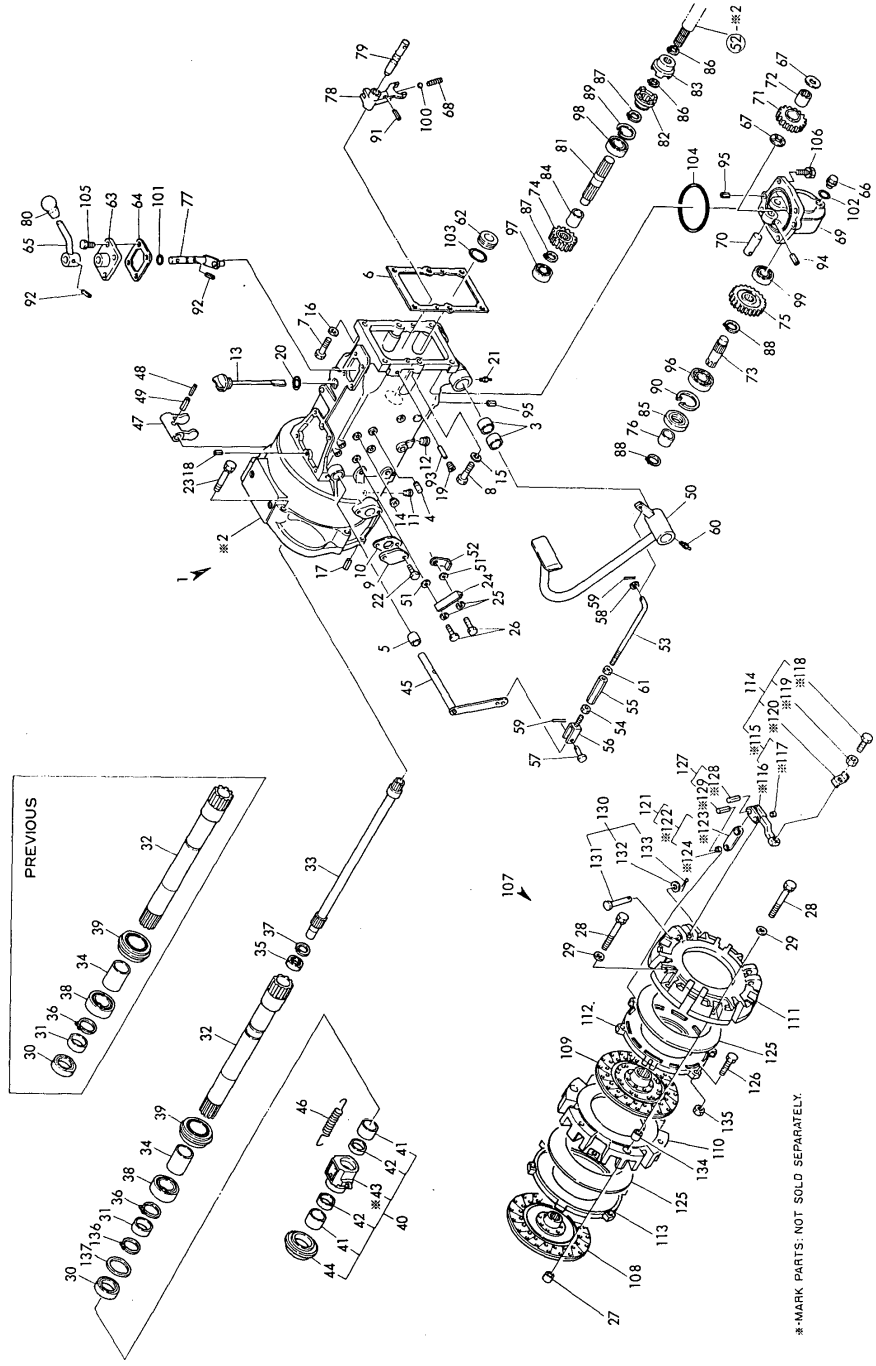
REF.	LEV.	PARTS NO.	DESCRIPTION	Q'TY						I	R
				(A)	(B)	(C)	(D)	(E)	(F)		
52	1	194145-22440	LEVER, CLUTCH LOCK		1						
53	1	194274-22470	ROD, CLUTCH		1						
54	1	194150-22480	NUT M10		1						
55	1	194130-37730	TURNBUCKLE M10X70		1						
56	1	194130-37740	ROD, BRAKE		1						
57	1	194080-37781	PIN 8X25		1						
58	1	22137-100000	WASHER 10,POLISHED		1						
59	1	22417-200300	COTTER PIN 2.0X30		2						
60	1	24764-010000	NIPPLE M6F, GREASE		1						
61	1	26716-100002	NUT M10		1						
62	1	194274-21170	PLUG		1						
63	1	194274-21210-X	COVER		1						
64	1	194274-21220-X	GASKET		1						
65	1	194146-22610	LEVER, SHIFT		1						
66	1	194151-24770	PLUG 14, OIL		1						
67	1	194150-25231	WASHER 20X38X4		2						
68	1	194145-27450	SPRING		1						
69	1	194274-28110-X	HOUSING, FRONT DRIVE		1						
69-1	1	194274-28131-X	HOUSING, FRONT DRIVE		1						
70	1	194241-28151	SHAFT, FRONT IDLE		1						
71	1	194274-28160	GEAR, FRONT IDLE		1						
71-1	1	194274-28171	GEAR, FRONT IDLE		1						
72	1	194241-28180	NEEDLE BEARING		1						
73	1	194274-28210	SHAFT, FRONT DRIVE		1						
74	1	194241-28220	GEAR, FRONT DRIVE		1						
75	1	194274-28220	GEAR, FRONT DRIVE		1						
75-1	1	194274-28231	GEAR, FRONT DRIVE		1						
76	1	194274-28240	SEAL COLLAR 30X35X17		1						
77	1	194274-28310	ARM, FRONT SHIFT		1						
78	1	194274-28320	FORK, FRONT SHIFT		1						
79	1	194274-28340	SHAFT, FRONT FORK		1						
80	1	194191-28480	KNOB		1						
81	1	194274-28510	SHAFT, FRONT CLUTCH		1						
82	1	194241-28520	CLUTCH (A)		1						
83	1	194241-28530	CLUTCH (B)		1						
84	1	194274-28540	COLLAR 26X34X33		1						
85	1	1A3990-99030	SEAL TC35 55 11, OIL		1						
86	1	22242-000190	CIRCLIP 19		2						
87	1	22242-000240	CIRCLIP 24		2						
88	1	22242-000290	CIRCLIP 29		2						
89	1	22252-000520	CIRCLIP 52		1						
90	1	22252-000550	CIRCLIP 55		1						
91	1	22351-030020	SPRING PIN 3X20		1						
92	1	22351-060025	SPRING PIN 6X25		2						
93	1	22351-060025	SPRING PIN 6X25		1						
94	1	22351-060036	SPRING PIN 6X36		1						
95	1	22351-100018	SPRING PIN 10X18		2						
96	1	24101-060064	BALL BEARING		1						
97	1	24101-062044	BALL BEARING		1						
98	1	24101-062054	BEARING #6205		1						
99	1	24101-062054	BEARING #6205		1						

N:Old ↔ New, Q:Old ↔ New, R:Old ↔ New, S:Old ↔ New, W:Add, Z:Discontinued, F:Set Change, K:Q'ty Change  
++ CONTINUE ++  
(C)Copy Rights YANMAR CO.,LTD and YANMAR AGRICULTURAL EQUIPMENT CO.,LTD.



Fig.41. CLUTCH(D),YM330D(W/LIVE),PG.

Fig.41 CLUTCH (D-2), FOR MODEL YM330D (WITH LIVE)



(A)=YM330  
(B)=YM330D  
(C)=

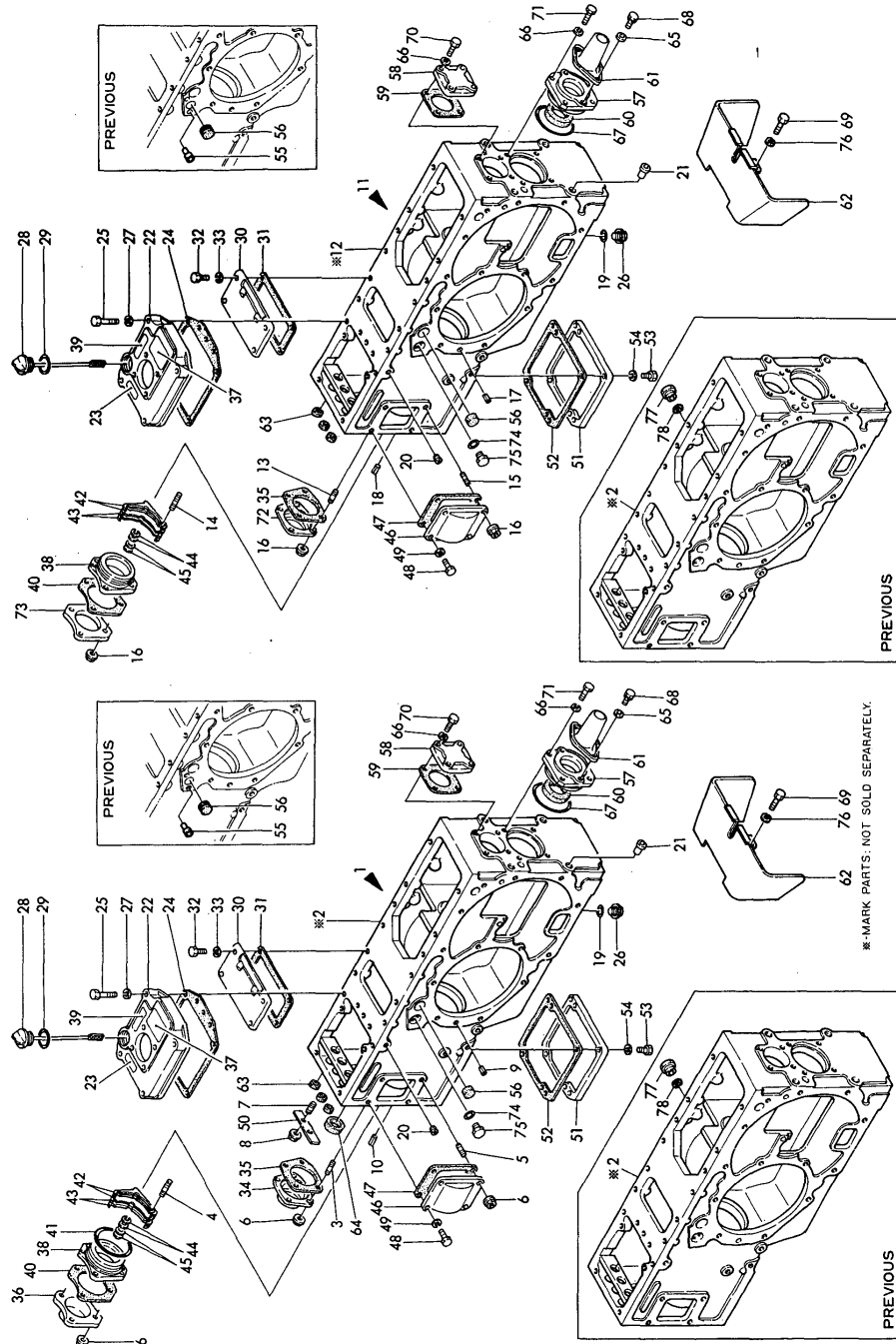
(D)=  
(E)=  
(F)=

REF.	LEV.	PARTS NO.	DESCRIPTION	Q'TY						I	R
				(A)	(B)	(C)	(D)	(E)	(F)		
100	1	24190-100001	BALL 5/16, STEEL		1						
101	1	24311-000120	O-RING 1A P 12.0		1						
102	1	24311-000160	O-RING 1A P-16.0		1						
103	1	24311-000410	O-RING 1A P-41.0		1						
104	1	24321-001250	O-RING 1A G125.0		1						
105	1	26013-080222	BOLT M 8X 22		4						
106	1	26013-100302	BOLT M10X 30		4						
107	1	194275-21400	DISC, CLUTCH								1
107-1	1	194274-21400	CLUTCH ASSY, DUAL		1						
108	2	194274-21410	DISC, P.T.O. CLUTCH		1						
109	2	194274-21420	DISC, MAIN CLUTCH		1						
110	2	194274-21730	COVER (A), CLUTCH		1						
111	2	194274-21740	COVER (B), CLUTCH		1						
112	2	194274-21710	PLATE (A), PRESSURE		1						
113	2	194274-21720	PLATE (B), PRESSURE		1						
114	2	194274-21800	LEVER ASSY, RELEASE		1						
121	2	194274-21600	ROD ASSY, RELEASE		1						
125	2	194274-21640	SPRING, DIAPHRAGM		2						
126	2	194274-21670	BOLT		3						
127	2	194274-21500	PIN KIT, (A)		1						
130	2	194274-21900	PIN KIT, (B)		1						
134	2	194274-21550	PIN, KNOCK		2						
135	2	194274-21690	NUT M10		3						
136	1	24164-000352	CIRCLIP 35		1						W
137	1	194464-22151	SPACER		1						W

N:Old ↔ New, Q:Old ↔ New, R:Old ↔ New, S:Old ↔ New, W:Add, Z:Discontinued, F:Set Change, K:Q'ty Change  
(C)Copy Rights YANMAR CO.,LTD and YANMAR AGRICULTURAL EQUIPMENT CO.,LTD.

Fig.42. TRANSMISSION HOUSING(U.S.A.)

Fig.42 TRANSMISSION HOUSING (1)



(A)=YM330  
(B)=YM330D  
(C)=

(D)=  
(E)=  
(F)=

REF.	LEV.	PARTS NO.	DESCRIPTION	Q'TY						I	R
				(A)	(B)	(C)	(D)	(E)	(F)		
1	1	194275-24100-X	HOUSING,TRANSMISSION	1							
1-1	1	194275-24101-X	HOUSING,TRANSMISSION	1							S
(A=T/# 00292)											
3	2	26216-080222	STUD M 8X 22 PLATED	4							
4	2	26216-080352	STUD M 8X 35 PLATED	4							
5	2	26216-080182	STUD M 8X 18 PLATED	1							
6	2	194990-22050	NUT W/WASHER 8	9							
7	2	26216-060122	STUD M 6X 12 PLATED	2							
8	2	194990-22040	NUT W/WASHER 6	2							
9	2	22351-100025	SPRING PIN 10X25	4							
10	2	22351-100020	SPRING PIN 10X20	2							
11	1	194274-24100-X	HOUSING,TRANSMISSION		1						
11-1	1	194274-24101-X	HOUSING,TRANSMISSION		1						S
(B=T/# 00618)											
13	2	26216-080222	STUD M 8X 22 PLATED		4						
14	2	26216-080352	STUD M 8X 35 PLATED		4						
15	2	26216-080182	STUD M 8X 18 PLATED		1						
16	2	194990-22050	NUT W/WASHER 8		9						
17	2	22351-100025	SPRING PIN 10X25		4						
18	2	22351-100020	SPRING PIN 10X20		2						
19	1	24311-000160	O-RING 1A P-16.0	1	1						
20	1	23873-020000	PLUG PT 1/4	1	1						
22	1	194130-24214-X	COVER, TRANSMISSION	1	1						
24	1	194130-24221	GASKET, COVER	1	1						
25	1	26116-080402	BOLT M 8X 40 PLATED	4	4						
26	1	194151-24770	PLUG 14, OIL	1	1						
27	1	22217-080000	SPRING WASHER 8	4	4						
28	1	194130-24290	DIPSTICK 33X205	1	1						
29	1	24341-000320	O-RING 1A S-32.0	1	1						
29-1	1	24341-000315	O-RING 1A S-31.5	1	1						N
(A=*) (B=*)											
30	1	194130-24171-X	COVER, UPPER	1	1						
31	1	194130-24180	GASKET, UPPER COVER	1	1						
32	1	26116-100252	BOLT M10X 25 PLATED	4	4						
33	1	22217-100000	SPRING WASHER 10	4	4						
34	1	194130-24310	CASE, OIL SEAL	1	1						1
35	1	194130-24321	GASKET	1	1						
36	1	194145-24350	CAP, COUNTER SHAFT	1	1						1
38	1	194145-24340	RETAINER, BEARING	1	1						
40	1	194145-24360	GASKET, RETAINER	1	1						
41	1	24321-000800	O-RING 1A G-80.0	1							
42	1	194145-24510	SHIM (A)	2	2						2
43	1	194145-24520	SHIM (B)	2	2						2
44	1	194145-24560	SHIM (C)	2	2						2
45	1	194145-24570	SHIM (D)	2	2						2
46	1	194130-24411-X	COVER, SIDE	1	1						
47	1	194130-24422	GASKET, SIDE COVER	1	1						
48	1	26116-080222	BOLT M 8X 22 PLATED	3	3						
48-1	1	26013-080202	BOLT W/WASHER M8X20	3	3						R
(A=*) (B=*)											
49	1	22217-080000	SPRING WASHER 8	3	3						Z

N:Old ↔ New, Q:Old ↔ New, R:Old ↔ New, S:Old ↔ New, W:Add, Z:Discontinued, F:Set Change, K:Q'ty Change

++ CONTINUE ++

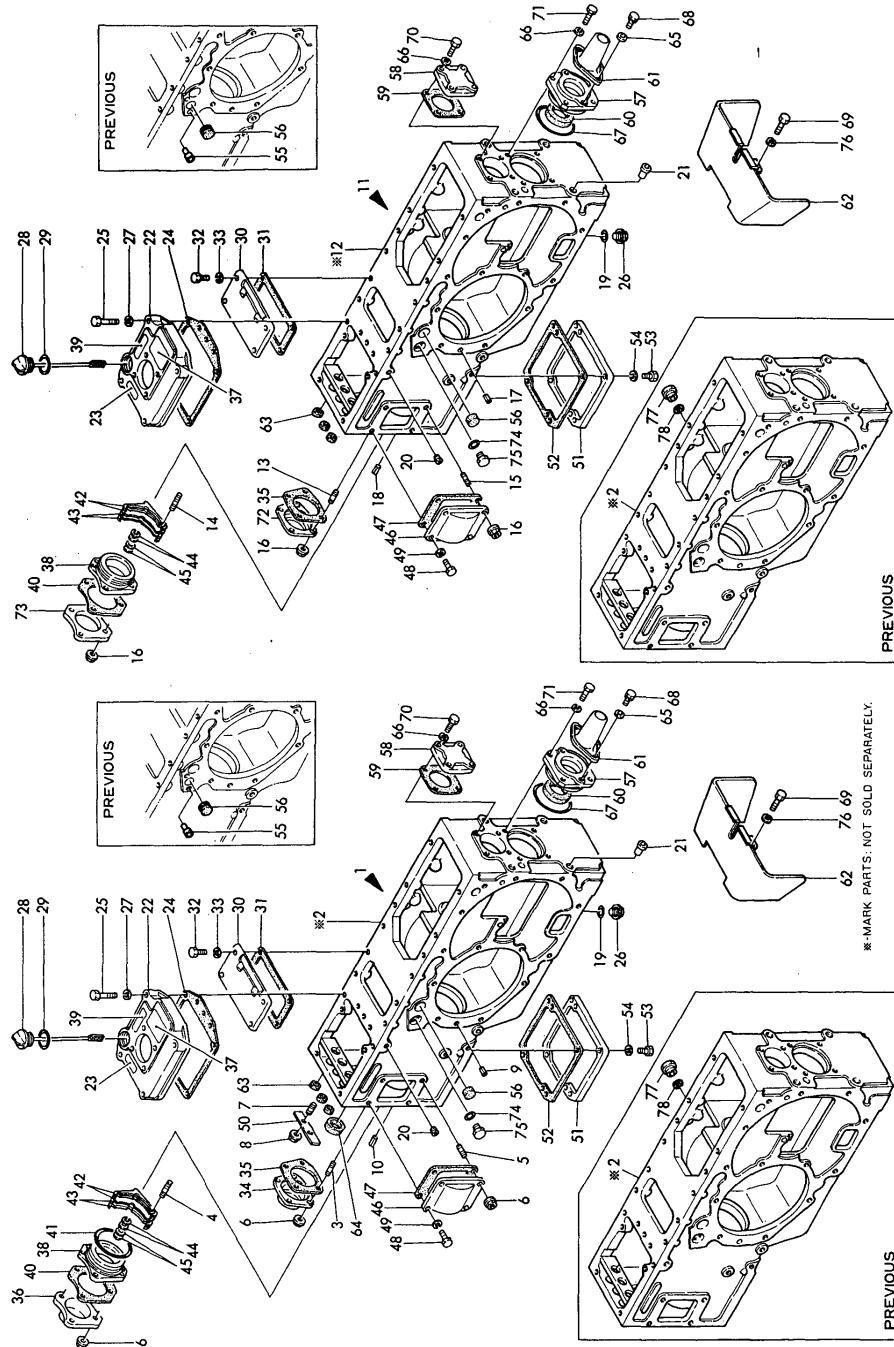
(C)Copy Rights YANMAR CO.,LTD and YANMAR AGRICULTURAL EQUIPMENT CO.,LTD.

Fig.42. TRANSMISSION HOUSING(U.S.A.)

(A)=YM330  
(B)=YM330D  
(C)=

(D)=  
(E)=  
(F)=

Fig.42 TRANSMISSION HOUSING (1)



REF.	LEV.	PARTS NO.	DESCRIPTION	Q'TY						I	R
				(A)	(B)	(C)	(D)	(E)	(F)		
		(A=*) (B=*)									
50	1	194145-27170	STOPPER		1						
51	1	194130-24430-X	COVER, LOWER		1	1					
52	1	194130-24441	GASKET, LOWER COVER		1	1					
53	1	26116-120352	BOLT M12X 35 PLATED		4	4					
54	1	22217-120000	WASHER 12,SPRING		4	4					
55	1	194275-27750	PLUG 7.8		2	2					Z
		(A=T/# 00292) (B=T/# 00623)									
56	1	194130-33190	PLUG 20X8		2	2					
56-1	1	194130-33190	PLUG 20X8		1	1					K
		(A=T/# 00292) (B=T/# 00623)									
57	1	194130-24452-X	CASE, OIL SEAL		1	1					
58	1	194130-24471-X	COVER, REAR		1	1					
59	1	194130-24481	GASKET, REAR COVER		1	1					
60	1	194130-26350	SEAL TC 426009, OIL		1	1					
61	1	194190-26860	COVER, P.T.O. SHAFT		1	1					
62	1	194275-26910-X	GUARD, P.T.O. SHAFT		1	1					
63	1	194130-27390	CAP 15X5, SEAL		3	3					
64	1	194990-50550	SEAL SC30 45 8, OIL		1						
65	1	22137-080000	WASHER 8, POLISHED		2	2					
66	1	22217-080000	SPRING WASHER 8		8	8					
67	1	24341-000850	O-RING 1A S-85.0		1	1					
68	1	26013-080122	BOLT M 8X 12		2	2					
69	1	26116-120252	BOLT M12X 25 PLATED		4	4					
70	1	26116-080202	BOLT M 8X 20 PLATED		4	4					
71	1	26116-080252	BOLT M 8X 25 PLATED		4	4					
72	1	194274-24310	RETAINER, BEARING		1	1					3
73	1	194274-24350	CAP, COUNTER SHAFT		1	1					3
74	1	194464-45930	O-RING 8-1		1	1					W
		(A=T/# 00292) (B=T/# 00623)									
75	1	194464-45920	PLUG 3/4-16UNF		1	1					W
		(A=T/# 00292) (B=T/# 00623)									
76	1	22217-120000	WASHER 12,SPRING		4	4					
77	1	194275-24190	PLUG M27		1	1					W
		(A=T/# 00282) (B=T/# 00623)									
78	1	24341-000290	O-RING 1A S-29.0		1	1					W
		(A=T/# 00282) (B=T/# 00623)									

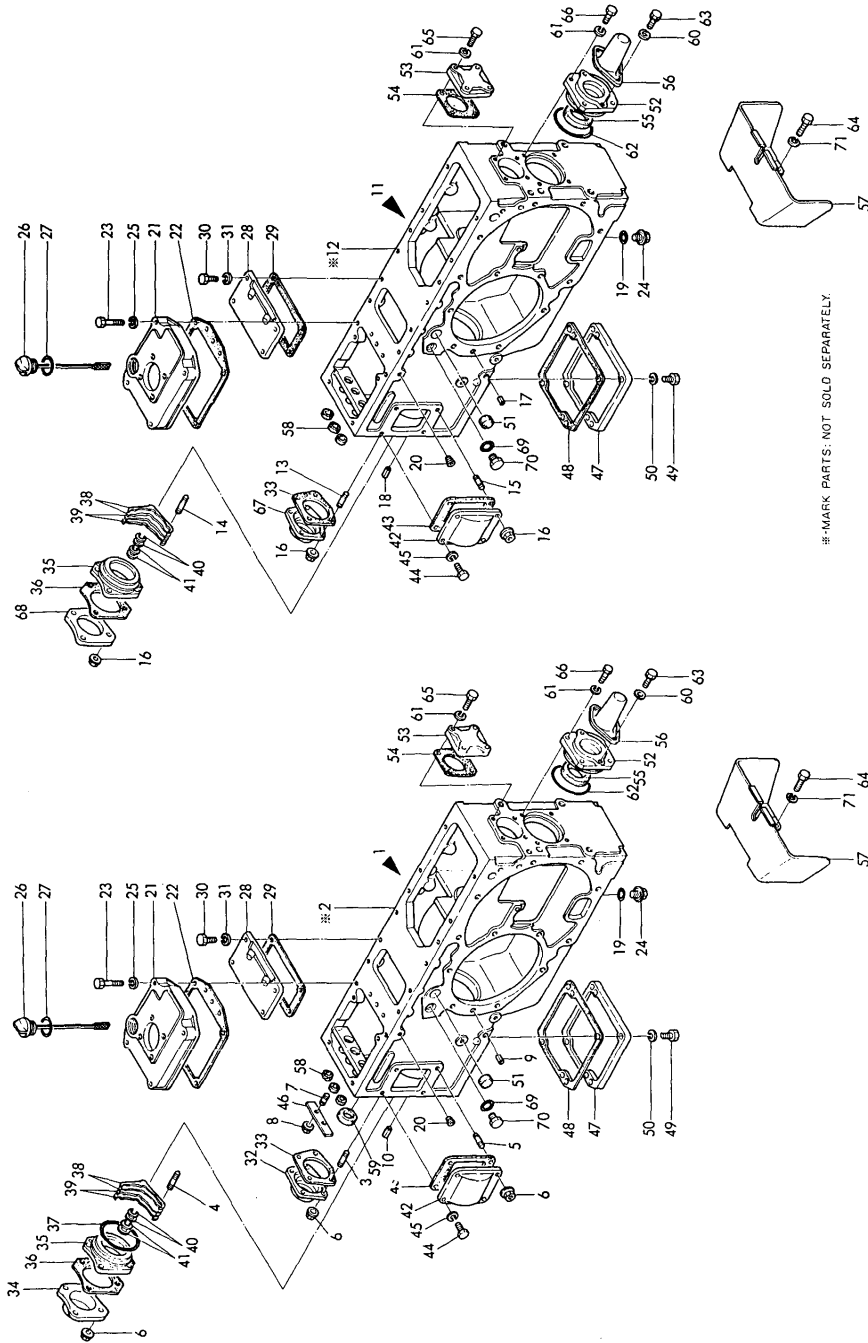
N:Old ↔ New, Q:Old ↔ New, R:Old ↔ New, S:Old ↔ New, W:Add, Z:Discontinued, F:Set Change, K:Q'ty Change  
(C)Copy Rights YANMAR CO.,LTD and YANMAR AGRICULTURAL EQUIPMENT CO.,LTD.

Fig.43. TRANSMISSION HOUSING(PORTUGAL)

(A)=YM330  
(B)=YM330D  
(C)=

(D)=  
(E)=  
(F)=

Fig.43 TRANSMISSION HOUSING (2)



REF.	LEV.	PARTS NO.	DESCRIPTION	Q'TY						I	R
				(A)	(B)	(C)	(D)	(E)	(F)		
1	1	194275-24101-X	HOUSING,TRANSMISSION	1							
3	2	26216-080222	STUD M 8X 22 PLATED	4							
4	2	26216-080352	STUD M 8X 35 PLATED	4							
5	2	26216-080182	STUD M 8X 18 PLATED	1							
6	2	194990-22050	NUT W/WASHER 8	9							
7	2	26216-060122	STUD M 6X 12 PLATED	2							
8	2	194990-22040	NUT W/WASHER 6	2							
9	2	22351-100025	SPRING PIN 10X25	2							
10	2	22351-100020	SPRING PIN 10X20	2							
11	1	194274-24101-X	HOUSING,TRANSMISSION		1						
13	2	26216-080222	STUD M 8X 22 PLATED		4						
14	2	26216-080352	STUD M 8X 35 PLATED		4						
15	2	26216-080182	STUD M 8X 18 PLATED		1						
16	2	194990-22050	NUT W/WASHER 8		9						
17	2	22351-100025	SPRING PIN 10X25		4						
18	2	22351-100020	SPRING PIN 10X20		2						
19	1	24311-000160	O-RING 1A P-16.0	1	1						
20	1	23873-020000	PLUG PT 1/4	1	1						
21	1	194130-24214-X	COVER, TRANSMISSION	1	1						
22	1	194130-24221	GASKET, COVER	1	1						
23	1	26116-080402	BOLT M 8X 40 PLATED	4	4						
24	1	194151-24770	PLUG 14, OIL	1	1						
25	1	22217-080000	SPRING WASHER 8	4	4						
26	1	194130-24290	DIPSTICK 33X205	1	1						
27	1	24341-000320	O-RING 1A S-32.0	1	1						
28	1	194130-24171-X	COVER, UPPER	1	1						
29	1	194130-24180	GASKET, UPPER COVER	1	1						
30	1	26116-100252	BOLT M10X 25 PLATED	4	4						
31	1	22217-100000	SPRING WASHER 10	4	4						
32	1	194130-24310	CASE, OIL SEAL	1	1						1
33	1	194130-24321	GASKET	1	1						
34	1	194145-24350	CAP, COUNTER SHAFT	1	1						1
35	1	194145-24340	RETAINER, BEARING	1	1						
36	1	194145-24360	GASKET, RETAINER	1	1						
37	1	24321-000800	O-RING 1A G-80.0	1							
42	1	194130-24411-X	COVER, SIDE	1	1						
43	1	194130-24422	GASKET, SIDE COVER	1	1						
44	1	26116-080222	BOLT M 8X 22 PLATED	3	3						
45	1	22217-080000	SPRING WASHER 8	3	3						
46	1	194145-27170	STOPPER	1							
47	1	194130-24430-X	COVER, LOWER	1	1						
48	1	194130-24441	GASKET, LOWER COVER	1	1						
49	1	26116-120352	BOLT M12X 35 PLATED	4	4						
50	1	22217-120000	WASHER 12,SPRING	4	4						
51	1	194130-33190	PLUG 20X8	1	1						
52	1	194130-24452-X	CASE, OIL SEAL	1	1						
53	1	194130-24471-X	COVER, REAR	1	1						
54	1	194130-24481	GASKET, REAR COVER	1	1						
55	1	194130-26350	SEAL TC 426009, OIL	1	1						
56	1	194190-26860	COVER, P.T.O. SHAFT	1	1						
57	1	194275-26910-X	GUARD, P.T.O. SHAFT	1	1						

N:Old ↔ New, Q:Old ↔ New, R:Old ↔ New, S:Old ↔ New, W:Add, Z:Discontinued, F:Set Change, K:Q'ty Change  
++ CONTINUE ++ (C)Copy Rights YANMAR CO.,LTD and YANMAR AGRICULTURAL EQUIPMENT CO.,LTD.

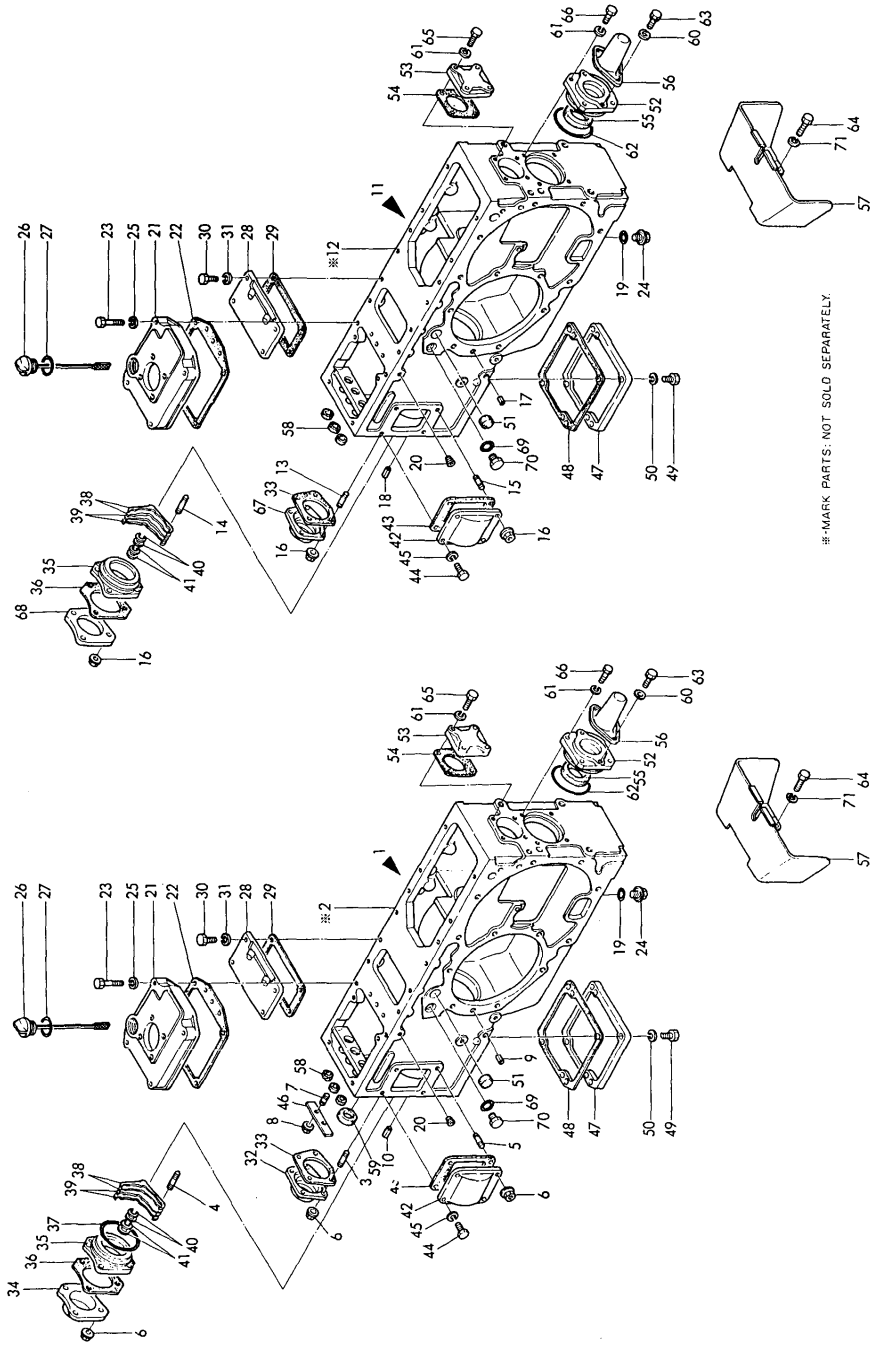
Fig.43. TRANSMISSION HOUSING(PORTUGAL)

Y00T2341 43. TRANSMISSION HOUSING(PORTUGAL)

(A)=YM330  
(B)=YM330D  
(C)=

(D)=  
(E)=  
(F)=

Fig.43 TRANSMISSION HOUSING (2)



REF.	LEV.	PARTS NO.	DESCRIPTION	Q'TY						I	R
				(A)	(B)	(C)	(D)	(E)	(F)		
58	1	194130-27390	CAP 15X5, SEAL	3	3						
59	1	194990-50550	SEAL SC30 45 8, OIL	1							
60	1	22137-080000	WASHER 8, POLISHED	2	2						
61	1	22217-080000	SPRING WASHER 8	8	8						
62	1	24341-000850	O-RING 1A S-85.0	1	1						
63	1	26013-080122	BOLT M 8X 12	2	2						
64	1	26013-120222	BOLT M12X 22	4	4						3
64-1	1	26116-120252	BOLT M12X 25 PLATED	4	4						
65	1	26116-080202	BOLT M 8X 20 PLATED	4	4						
66	1	26116-080252	BOLT M 8X 25 PLATED	4	4						
67	1	194274-24310	RETAINER, BEARING	1	1						4
68	1	194274-24350	CAP. COUNTER SHAFT	1	1						4
69	1	194464-45930	O-RING 8-1	1	1						
70	1	194464-45920	PLUG 3/4-16UNF	1	1						
71	1	22217-120000	WASHER 12,SPRING	4	4						W

Fig.44. REAR AXLE HOUSING

(A)=YM330  
(B)=YM330D  
(C)=

(D)=  
(E)=  
(F)=

REF.	LEV.	PARTS NO.	DESCRIPTION	Q'TY						I	R
				(A)	(B)	(C)	(D)	(E)	(F)		
1	1	194145-32710-X	CASE, OIL SEAL	2	2						
2	1	194145-32720	GASKET	2	2						
3	1	194145-32620-X	HOUSING, REAR AXLE	2	2						
3A	1	194145-32621-X	HOUSING, REAR AXLE	2	2					S	1
		(A=*1981.04) (B=*1981.04)									
4	1	194130-32681	GASKET	2	2						
4-1	1	194130-32682	GASKET	2	2						R
		(A=*) (B=*)									
5	1	194145-31750	PLUG 9.5	4	4						
6	1	194150-21910	PLUG 11.2	4	4						
6-1	1	194150-21910	PLUG 11.2	6	6						K
		(A=*) (B=*)									
7	1	194150-24270	SCREW CAP 13	2	2						
8	1	26116-100302	BOLT M10X 30 PLATED	8	8						
9	1	26116-100802	BOLT M10X 80 PLATED	11	11						
9A	1	26116-100852	BOLT M10X 85 PLATED	11	11						2
9B	1	26116-100852	BOLT M10X 85 PLATED	12	12						3
10	1	26116-100852	BOLT M10X 85 PLATED	1	1						
10A	1	26116-100952	BOLT M10X 95 PLATED	1	1						2
11	1	22217-100000	SPRING WASHER 10	28	28						
12	1	22137-100000	WASHER 10,POLISHED	1	1						
13	1	194145-51620	CLAMP, HARNESS	1	1						
14	1	26116-100552	BOLT M10X 55 PLATED	8	8						
15	1	194145-32730	SEAL TC 750013, OIL	2	2						
16	1	194145-32740	SEAL VC 750007, OIL	2	2						
17	1	794145-32620-X	HOUSING ASSY, AXLE	1	1						1
18	2	194145-32621-X	HOUSING, REAR AXLE	1	1						
19	2	26116-100852	BOLT M10X 85 PLATED	5	5						
20	2	26116-100902	BOLT M10X 90 PLATED	1	1						
21	2	194275-47180-X	BRACKET	1	1						
22	1	794145-32610-X	HOUSING ASSY, AXLE	1	1						1
23	2	194145-32621-X	HOUSING, REAR AXLE	1	1						
24	2	26116-100852	BOLT M10X 85 PLATED	6	6						
25	1	794145-32610-X	HOUSING ASSY, AXLE	2	2						1
26	2	194145-32621-X	HOUSING, REAR AXLE	2	2						
27	2	26116-100852	BOLT M10X 85 PLATED	12	12						

Fig.44 TRANSMISSION HOUSING (2)

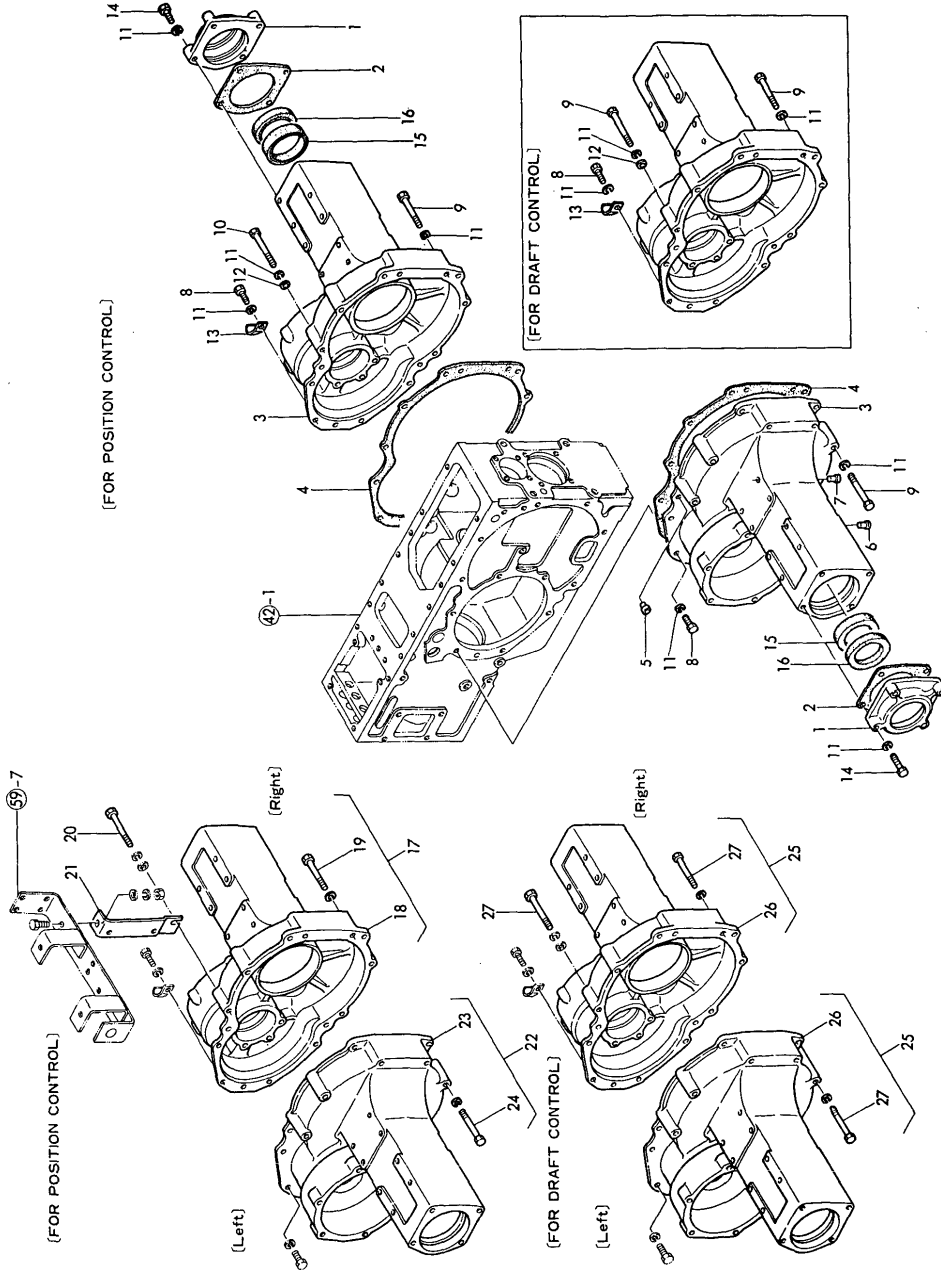
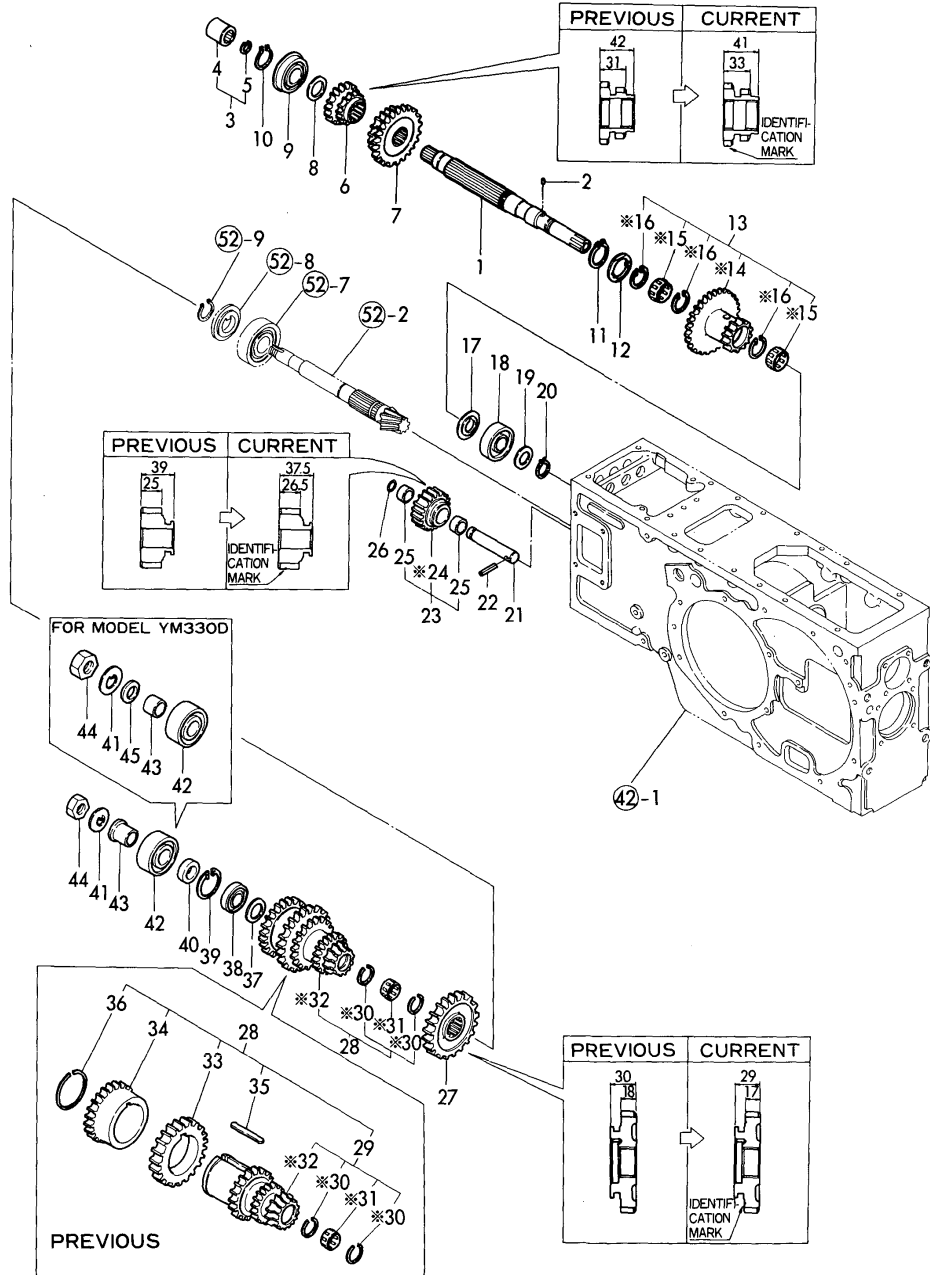


Fig.45. TRANSMISSION GEARS(W/O LIVE)

Fig.45 TRANSMISSION GEARS (A), (WITHOUT LIVE)



(A)=YM330  
(B)=YM330D  
(C)=

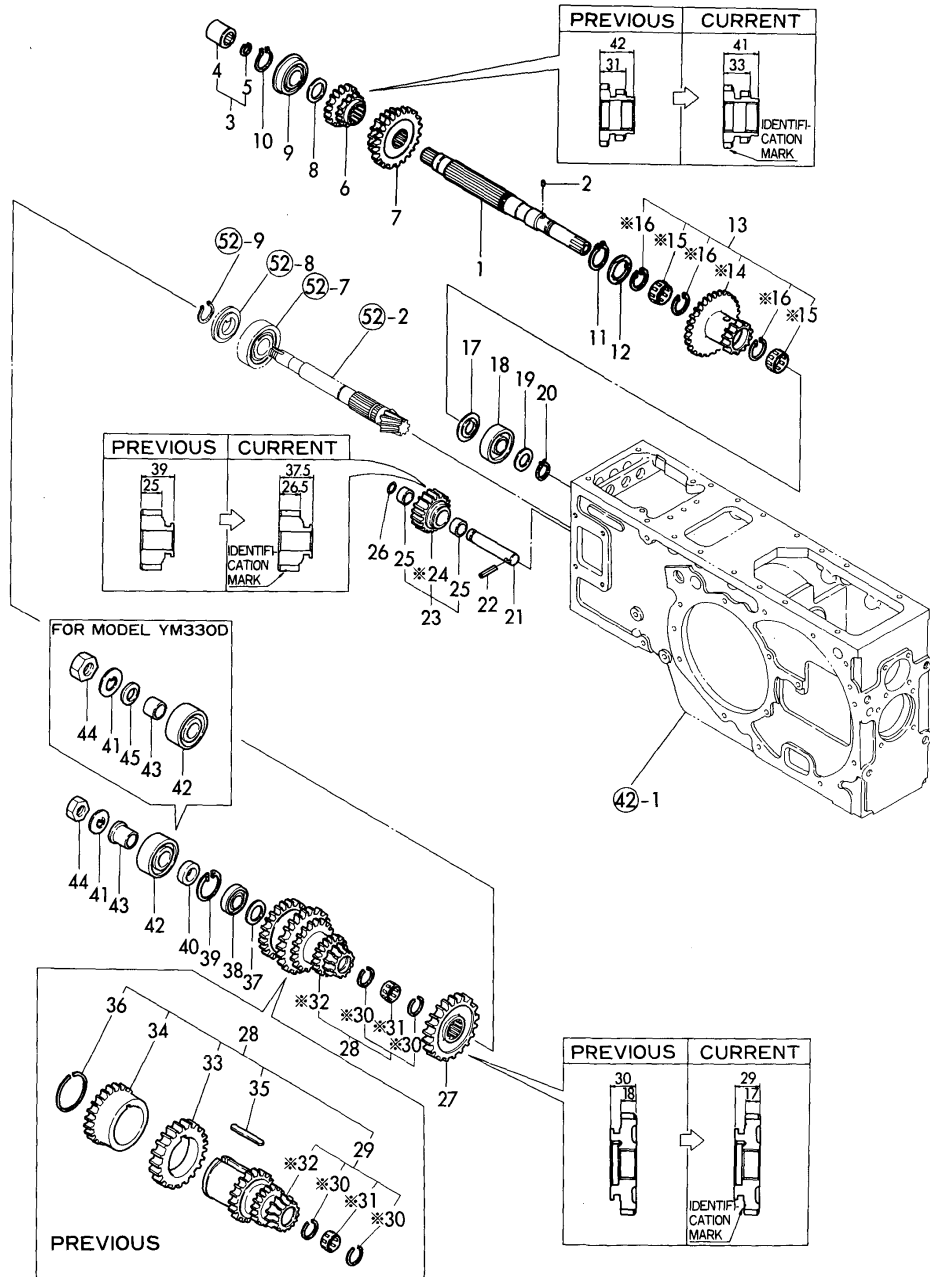
(D)=  
(E)=  
(F)=

REF.	LEV.	PARTS NO.	DESCRIPTION	Q'TY						I R
				(A)	(B)	(C)	(D)	(E)	(F)	
1	1	194275-25210	SHAFT, MAIN	1	1					
2	1	194130-25270	PARALLEL PIN 3.5X6	1	1					
3	1	794110-25220	JOINT ASSY	1	1					
4	2	194110-25220	JOINT, MAIN SHAFT	1	1					
5	2	22252-000220	CIRCLIP 22	1	1					
6	1	194275-25260	GEAR, SLIDING (1-2)	1	1					
6-1	1	194464-25260	GEAR, SLIDING (1-2)	1	1					S
		(A=T/# 00292) (B=T/# 00618)								
7	1	194275-25310	GEAR, SLIDING (3-4)	1	1					
8	1	194130-25250	SPACER 30X42X3	1	1					
9	1	24121-062064	BALL BEARING	1	1					
10	1	22242-000300	CIRCLIP 30	1	1					
11	1	22242-000350	CIRCLIP 35	1	1					
12	1	194130-25231	WASHER 35	1	1					
13	1	194275-25300	GEAR ASSY, REDUCTION	1	1					
17	1	194130-25240	WASHER 25X52X4	1	1					
18	1	24101-063054	BEARING #6305	1	1					
19	1	194130-25260	SPACER 25X38X3	1	1					
20	1	22242-000250	CIRCLIP 25S	1	1					
21	1	194130-25951	SHAFT, REVERSE GEAR	1	1					
22	1	22351-060036	SPRING PIN 6X36	1	1					
23	1	794130-25901	GEAR ASSY, REVERSE	1	1					
23-1	1	194464-25900	GEAR ASSY, REVERSE	1	1					S
		(A=T/# 00292) (B=T/# 00618)								
25	2	194130-25922	BUSH 20X1.5X15	2	2					
26	1	24311-000160	O-RING 1A P-16.0	1	1					
27	1	194275-25470	GEAR, SLIDE	1	1					
27-1	1	194275-25471	GEAR, SLIDE	1	1					S
		(A=T/# 00292) (B=T/# 00618)								
28	1	194275-25400	GEAR ASSY, COUNTER	1	1					
28-1	1	194275-25401	GEAR ASSY, COUNTER	1	1					S
		(A=T/# 00292) (B=T/# 00618)								
29	2	794275-25820	GEAR ASSY, COUNTER	1	1					Z
		(A=T/# 00292) (B=T/# 00618)								
33	2	194130-25840	GEAR, COUNTER	1	1					Z
		(A=T/# 00292) (B=T/# 00618)								
34	2	194130-25850	GEAR, COUNTER	1	1					Z
		(A=T/# 00292) (B=T/# 00618)								
35	2	194275-25880	KEY	1	1					Z
		(A=T/# 00292) (B=T/# 00618)								
36	2	194130-25890	CLIP 66X3.2	1	1					Z
		(A=T/# 00292) (B=T/# 00618)								
37	1	194130-25530	SPACER 26X44X3	1	1					
38	1	24101-062054	BEARING #6205	1	1					
39	1	22252-000520	CIRCLIP 52	1	1					
40	1	194145-25520	SPACER	1	1					
41	1	194080-25581	WASHER 20	1						
41-1	1	194274-25580	WASHER 21	1	1					N
		(A=*)								
42	1	194145-24380	BALL BEARING	1	1					
43	1	194145-25550	SLEEVE, BEARING	1						

N:Old ↔ New, Q:Old ↔ New, R:Old ↔ New, S:Old ↔ New, W:Add, Z:Discontinued, F:Set Change, K:Q'ty Change  
 ++ CONTINUE ++ (C)Copy Rights YANMAR CO.,LTD and YANMAR AGRICULTURAL EQUIPMENT CO.,LTD.

Fig.45. TRANSMISSION GEARS(W/O LIVE)

Fig.45 TRANSMISSION GEARS (A), (WITHOUT LIVE)



(A)=YM330  
(B)=YM330D  
(C)=

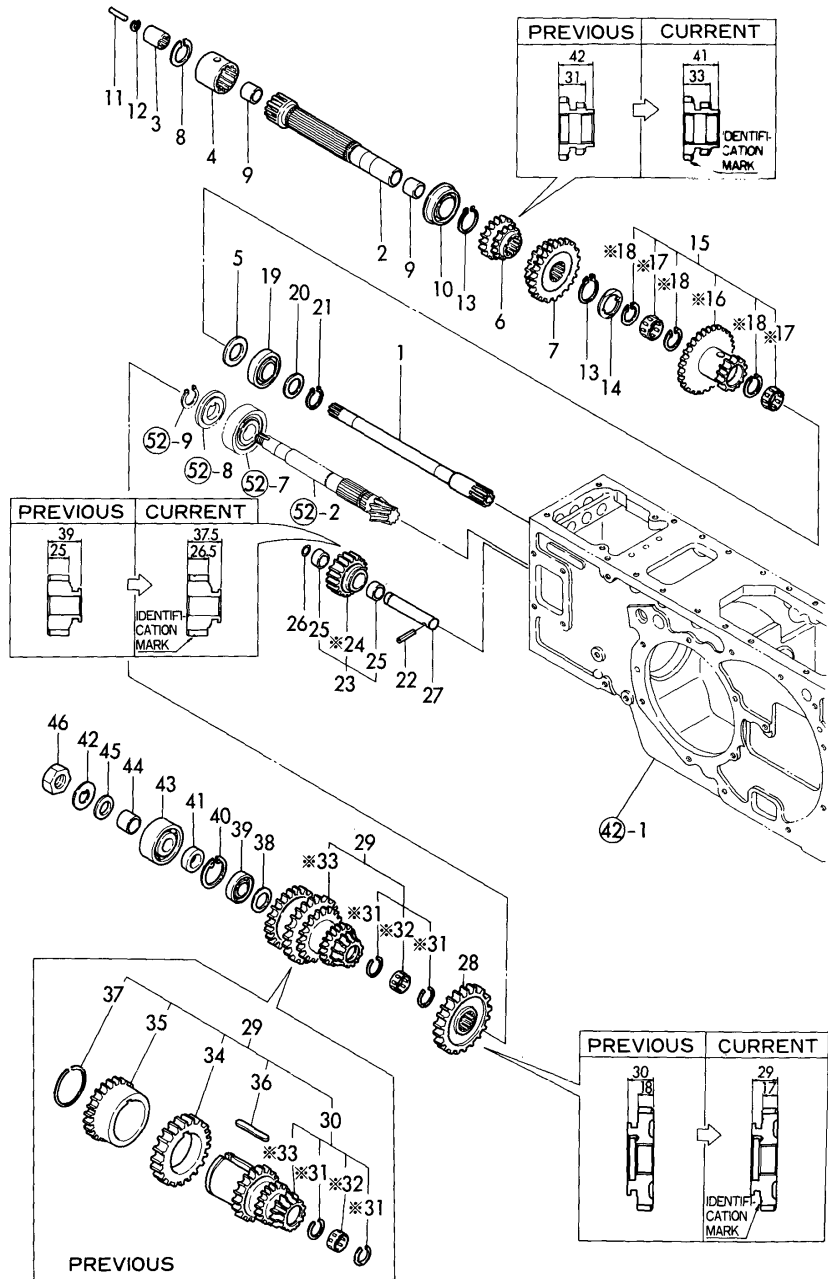
(D)=  
(E)=  
(F)=

REF.	LEV.	PARTS NO.	DESCRIPTION	Q'TY						I	R
				(A)	(B)	(C)	(D)	(E)	(F)		
43-1	1	194274-25760	SLEEVE 24X30X29	1	1						N
		(A=*)									
44	1	194080-25590	NUT M20		1						
44-1	1	26776-240002	LOCK NUT M24 PLATED	1	1						N
		(A=*)									
45	1	194274-26340	SPACER 24X38X4.5	1	1						W
		(A=*)									



Fig.46. TRANSMISSION GEARS(W/LIVE,USA)

Fig.46 TRANSMISSION GEARS (B-1), (WITH LIVE)



(A)=YM330  
(B)=YM330D  
(C)=

(D)=  
(E)=  
(F)=

REF.	LEV.	PARTS NO.	DESCRIPTION	Q'TY						I	R
				(A)	(B)	(C)	(D)	(E)	(F)		
1	1	194274-25150	SHAFT, MAIN	1	1						
2	1	194274-25110	SHAFT, MAIN	1	1						
3	1	194310-25100	JOINT	1	1						
4	1	194274-25190	JOINT	1	1						
5	1	194274-25140	WASHER 30X50X4	1	1						
6	1	194275-25260	GEAR, SLIDING (1-2)	1	1						
6-1	1	194464-25260	GEAR, SLIDING (1-2)	1	1						S
		(A=T/# 00292) (B=T/# 00618)									
7	1	194275-25310	GEAR, SLIDING (3-4)	1	1						
8	1	22252-000420	CIRCLIP 42	1	1						
9	1	194141-28430	BUSH 20X1.5X25	2	2						
9-1	1	24550-020250	BEARING 20X25	2	2						N
		(A=*1987.02) (B=*1987.02)									
10	1	24121-060074	BALL BEARING	1	1						
11	1	22312-080360	PARALLEL PIN 8X36	1	1						
12	1	22252-000170	CIRCLIP 17	1	1						
13	1	22242-000340	CIRCLIP 34	2	2						
14	1	194130-25231	WASHER 35	1	1						
15	1	194275-25300	GEAR ASSY, REDUCTION	1	1						
19	1	24101-062064	BALL BEARING	1	1						
20	1	194130-25250	SPACER 30X42X3	1	1						
21	1	22242-000300	CIRCLIP 30	1	1						
22	1	22351-060036	SPRING PIN 6X36	1	1						
23	1	794130-25901	GEAR ASSY, REVERSE	1	1						
23-1	1	194464-25900	GEAR ASSY, REVERSE	1	1						S
		(A=T/# 00292) (B=T/# 00618)									
25	2	194130-25922	BUSH 20X1.5X15	2	2						
26	1	24311-000160	O-RING 1A P-16.0	1	1						
27	1	194130-25951	SHAFT, REVERSE GEAR	1	1						
28	1	194275-25470	GEAR, SLIDE	1	1						
28-1	1	194275-25471	GEAR, SLIDE	1	1						S
		(A=T/# 00292) (B=T/# 00618)									
29	1	194275-25400	GEAR ASSY, COUNTER	1	1						
29-1	1	194275-25401	GEAR ASSY, COUNTER	1	1						S
		(A=T/# 00292) (B=T/# 00618)									
30	2	794275-25820	GEAR ASSY, COUNTER	1	1						Z
		(A=T/# 00292) (B=T/# 00618)									
34	2	194130-25840	GEAR, COUNTER	1	1						Z
		(A=T/# 00292) (B=T/# 00618)									
35	2	194130-25850	GEAR, COUNTER	1	1						Z
		(A=T/# 00292) (B=T/# 00618)									
36	2	194275-25880	KEY	1	1						Z
		(A=T/# 00292) (B=T/# 00618)									
37	2	194130-25890	CLIP 66X3.2	1	1						Z
		(A=T/# 00292) (B=T/# 00618)									
38	1	194130-25530	SPACER 26X44X3	1	1						
39	1	24101-062054	BEARING #6205	1	1						
40	1	22252-000520	CIRCLIP 52	1	1						
41	1	194145-25520	SPACER	1	1						
42	1	194274-25580	WASHER 21	1	1						
43	1	194145-24380	BALL BEARING	1	1						

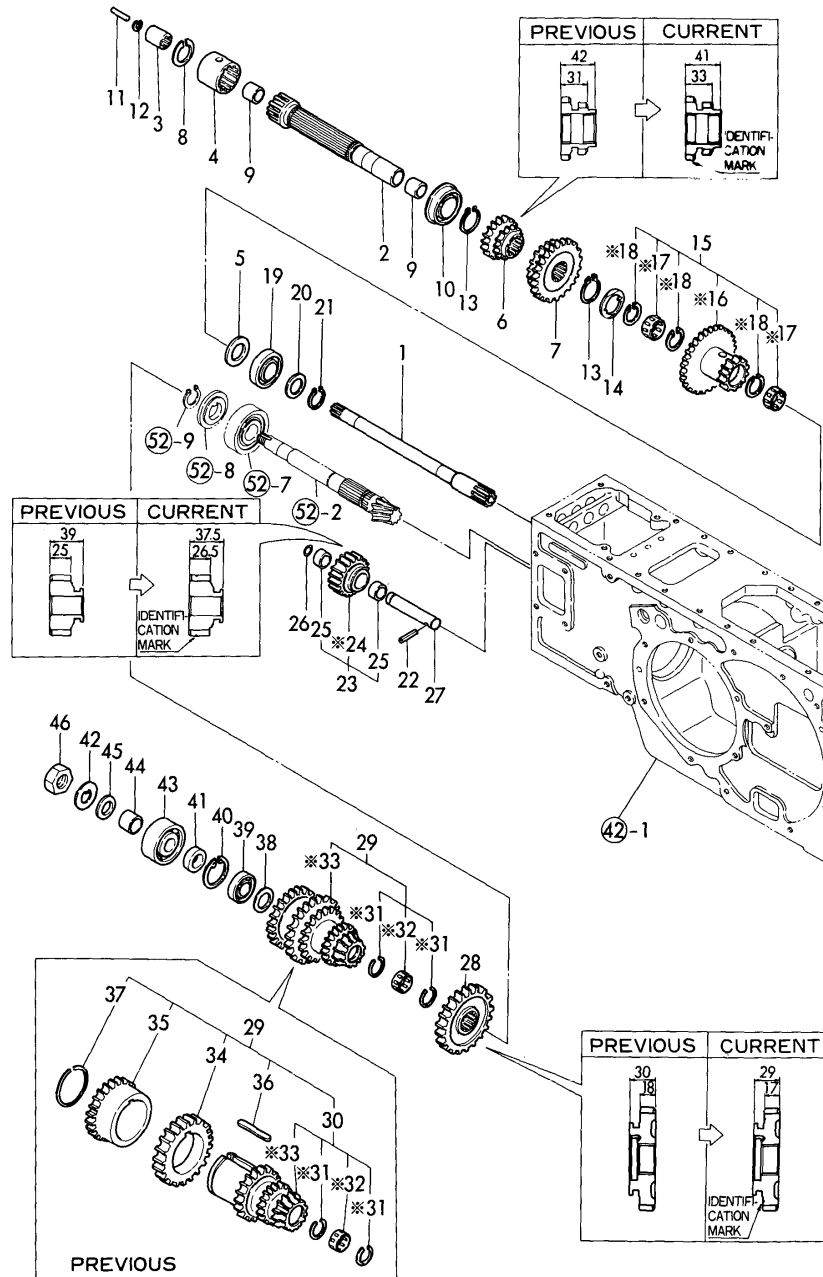
N:Old ↔ New, Q:Old ↔ New, R:Old ↔ New, S:Old ↔ New, W:Add, Z:Discontinued, F:Set Change, K:Q'ty Change  
++ CONTINUE ++ (C)Copy Rights YANMAR CO.,LTD and YANMAR AGRICULTURAL EQUIPMENT CO.,LTD.

Fig.46. TRANSMISSION GEARS(W/LIVE,USA)

(A)=YM330  
(B)=YM330D  
(C)=

(D)=  
(E)=  
(F)=

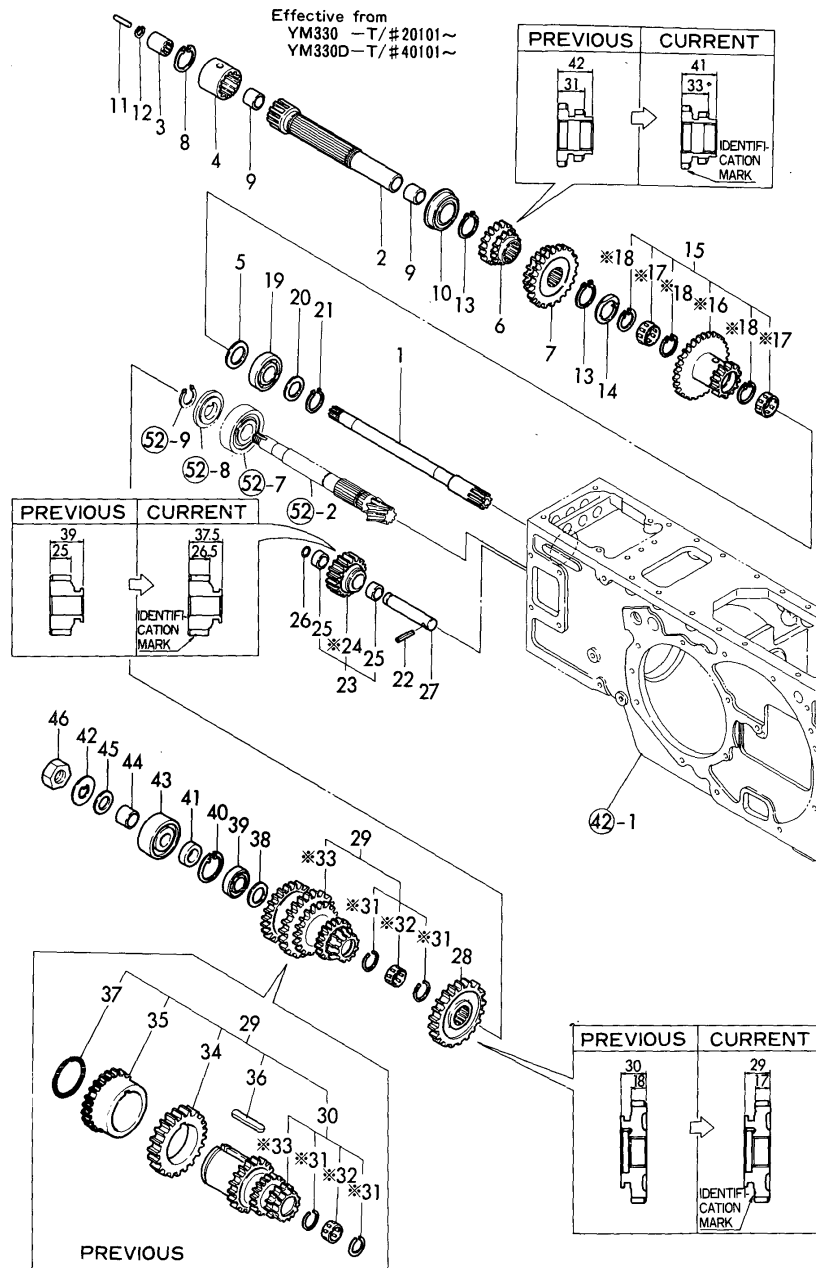
Fig.46 TRANSMISSION GEARS (B-1), (WITH LIVE)



REF.	LEV.	PARTS NO.	DESCRIPTION	Q'TY						I	R
				(A)	(B)	(C)	(D)	(E)	(F)		
44	1	194274-25760	SLEEVE 24X30X29	1	1						
45	1	194274-26340	SPACER 24X38X4.5	1	1						
46	1	26776-240002	LOCK NUT M24 PLATED	1	1						

Fig.47. TRANSMISSION GEARS(W/LIVE,PG.)

Fig.47 TRANSMISSION GEARS (B-2), (WITH LIVE)



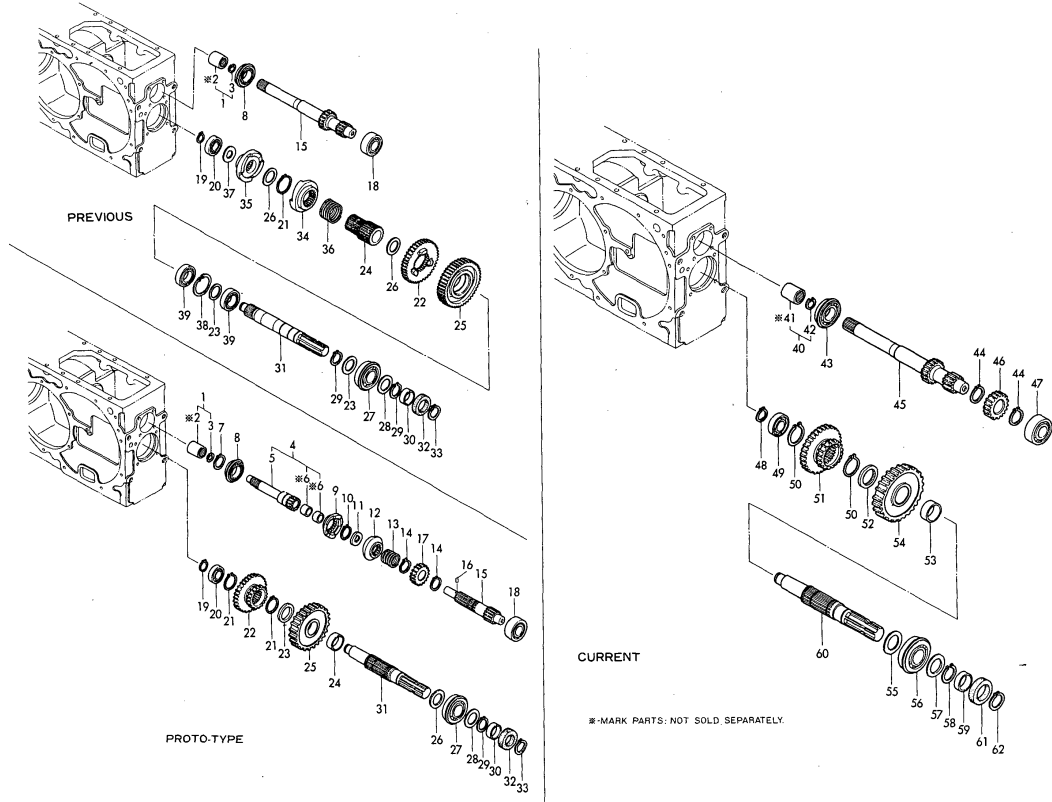
(A)=YM330  
(B)=YM330D  
(C)=

(D)=  
(E)=  
(F)=

REF.	LEV.	PARTS NO.	DESCRIPTION	Q'TY						I	R
				(A)	(B)	(C)	(D)	(E)	(F)		
1	1	194274-25150	SHAFT, MAIN	1	1						
2	1	194274-25110	SHAFT, MAIN	1	1						
3	1	194310-25100	JOINT	1	1						
4	1	194274-25190	JOINT	1	1						
5	1	194274-25140	WASHER 30X50X4	1	1						
6	1	194275-25260	GEAR, SLIDING (1-2)	1	1						
6-1	1	194464-25260	GEAR, SLIDING (1-2)	1	1						S
7	1	194275-25310	GEAR, SLIDING (3-4)	1	1						
8	1	22252-000420	CIRCLIP 42	1	1						
9	1	194141-28430	BUSH 20X1.5X25	2	2						
10	1	24121-060074	BALL BEARING	1	1						
11	1	22312-080360	PARALLEL PIN 8X36	1	1						
12	1	22252-000170	CIRCLIP 17	1	1						
13	1	22242-000340	CIRCLIP 34	2	2						
14	1	194130-25231	WASHER 35	1	1						
15	1	194275-25300	GEAR ASSY, REDUCTION	1	1						
19	1	24101-062064	BALL BEARING	1	1						
20	1	194130-25250	SPACER 30X42X3	1	1						
21	1	22242-000300	CIRCLIP 30	1	1						
22	1	22351-060036	SPRING PIN 6X36	1	1						
23	1	794130-25901	GEAR ASSY, REVERSE	1	1						
23-1	1	194464-25900	GEAR ASSY, REVERSE	1	1						S
25	2	194130-25922	BUSH 20X1.5X15	2	2						
26	1	24311-000160	O-RING 1A P-16.0	1	1						
27	1	194130-25951	SHAFT, REVERSE GEAR	1	1						
28	1	194275-25470	GEAR, SLIDE	1	1						
28-1	1	194275-25471	GEAR, SLIDE	1	1						S
29	1	194275-25400	GEAR ASSY, COUNTER	1	1						
29-1	1	194275-25401	GEAR ASSY, COUNTER	1	1						S
30	2	794275-25820	GEAR ASSY, COUNTER	1	1						Z
34	2	194130-25840	GEAR, COUNTER	1	1						Z
35	2	194130-25850	GEAR, COUNTER	1	1						Z
36	2	194275-25880	KEY	1	1						Z
37	2	194130-25890	CLIP 66X3.2	1	1						Z
38	1	194130-25530	SPACER 26X44X3	1	1						
39	1	24101-062054	BEARING #6205	1	1						
40	1	22252-000520	CIRCLIP 52	1	1						
41	1	194145-25520	SPACER	1	1						
42	1	194274-25580	WASHER 21	1	1						
43	1	194145-24380	BALL BEARING	1	1						
44	1	194274-25760	SLEEVE 24X30X29	1	1						
45	1	194274-26340	SPACER 24X38X4.5	1	1						
46	1	26776-240002	LOCK NUT M24 PLATED	1	1						

Fig.48. PTO SHAFT & DRIVING SHAFT(USA)

Fig.48 P.T.O. SHAFT & DRIVING SHAFT (1)



(A)=YM330  
(B)=YM330D  
(C)=

(D)=  
(E)=  
(F)=

REF.	LEV.	PARTS NO.	DESCRIPTION	Q'TY						I R
				(A)	(B)	(C)	(D)	(E)	(F)	
1	1	794110-25220	JOINT ASSY	1	1					
3	2	22252-000220	CIRCLIP 22	1	1					
4	1	194273-26100	SHAFT ASSY, DRIVING	1	1					Z
7	1	(A=*)	(B=*)	22242-000350	CIRCLIP 35	1	1			Z
		(A=*)	(B=*)							
8	1	24121-060074	BALL BEARING	1	1					
		8-1	24121-063054	BALL BEARING	1	1				
9	1	(A=*)	(B=*)	194273-26220	CLUTCH (A), 1-WAY	1	1			Z
		(A=*)	(B=*)							
10	1	(A=*)	(B=*)	194273-26260	CIRCLIP	1	1			Z
		(A=*)	(B=*)							
11	1	(A=*)	(B=*)	194273-26250	WASHER	1	1			Z
		(A=*)	(B=*)							
12	1	(A=*)	(B=*)	194273-26230	CLUTCH (B), 1-WAY	1	1			Z
		(A=*)	(B=*)							
13	1	(A=*)	(B=*)	194273-26240	SPRING	1	1			Z
		(A=*)	(B=*)							
14	1	(A=*)	(B=*)	22242-000320	CIRCLIP 32	2	2			Z
		(A=*)	(B=*)							
15	1	194273-26210	SHAFT, PTO PINION	1	1					
15-1	1	(A=*1981.01)	(B=*1981.01)	194273-26211	SHAFT, PTO PINION	1	1			S
		(A=*1981.01)	(B=*1981.01)							
16	1	(A=*)	(B=*)	194130-25270	PARALLEL PIN 3.5X6	1	1			Z
		(A=*)	(B=*)							
17	1	(A=*)	(B=*)	194273-26130	GEAR, PTO 2ND	1	1			Z
		(A=*)	(B=*)							
18	1	194080-08140	BALL BEARING	1	1					
19	1	22242-000250	CIRCLIP 25S	1	1					
20	1	24101-062054	BEARING #6205	1	1					
21	1	22242-000400	CIRCLIP 40	2	2					
21-1	1	(A=*)	(B=*)	22242-000500	CIRCLIP 50	1	1			S
		(A=*)	(B=*)							
22	1	(A=*)	(B=*)	194273-26650	GEAR, SLIDE	1	1			
		(A=*)	(B=*)							
22-1	1	(A=*1981.01)	(B=*1981.01)	194322-26330	GEAR, SLIDE	1	1			S
		(A=*1981.01)	(B=*1981.01)							
23	1	(A=*)	(B=*)	194275-26540	WASHER	1	1			
		(A=*)	(B=*)							
23-1	1	(A=*)	(B=*)	194275-26541	WASHER	1	1			R
		(A=*)	(B=*)							
23-2	1	(A=*1981.01)	(B=*1981.01)	194320-26360	COLLAR 35X45X2	2	2			S
		(A=*1981.01)	(B=*1981.01)							
24	1	194275-26560	COLLAR 40X45X20.5	1	1					
24-1	1	(A=*1981.01)	(B=*1981.01)	194322-26570	SHAFT, P.T.O.	1	1			S
		(A=*1981.01)	(B=*1981.01)							
25	1	194275-26520	GEAR, P.T.O.	1	1					
25-1	1	(A=*1981.01)	(B=*1981.01)	194322-26340	GEAR, P.T.O. 46	1	1			S
		(A=*1981.01)	(B=*1981.01)							
26	1	(A=*)	(B=*)	194275-26550	WASHER	1	1			
		(A=*)	(B=*)							
26-1	1	(A=*1981.01)	(B=*1981.01)	194322-26550	WASHER	2	2			S
		(A=*1981.01)	(B=*1981.01)							

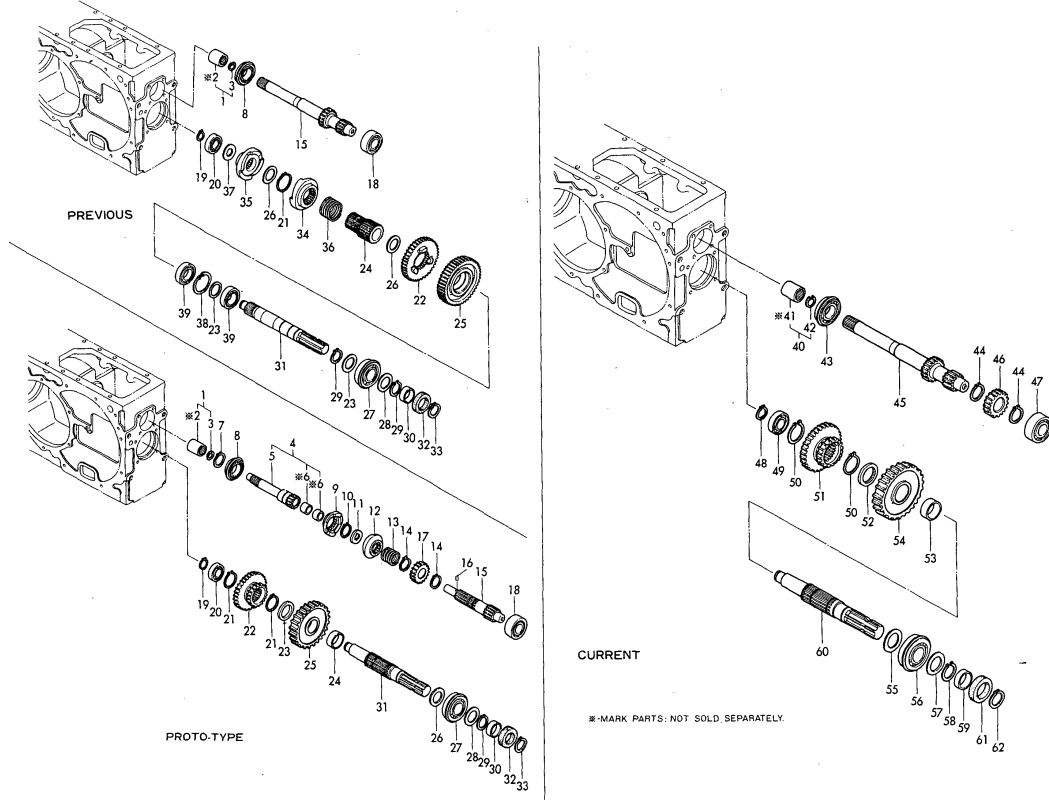
N:Old  $\leftrightarrow$  New, Q:Old  $\leftrightarrow$  New, R:Old  $\leftrightarrow$  New, S:Old  $\leftrightarrow$  New, W:Add, Z:Discontinued, F:Set Change, K:Q'ty Change  
++ CONTINUE ++ (C)Copy Rights YANMAR CO.,LTD and YANMAR AGRICULTURAL EQUIPMENT CO.,LTD.

Fig.48. PTO SHAFT & DRIVING SHAFT(USA)

(A)=YM330  
(B)=YM330D  
(C)=

(D)=  
(E)=  
(F)=

Fig.48 P.T.O. SHAFT & DRIVING SHAFT (1)



REF.	LEV.	PARTS NO.	DESCRIPTION	Q'TY						I	R
				(A)	(B)	(C)	(D)	(E)	(F)		
27	1	24121-063074	BALL BEARING	1	1						
28	1	194130-26370	SPACER 35X55X2.5	1	1						
29	1	22242-000350	CIRCLIP 35	1	1						
29-1	1	22242-000340	CIRCLIP 34	1	1						S
		(A=*) (B=*)									
30	1	194130-33452	COLLAR 35X42X13	1	1						
31	1	194275-26510	SHAFT, P.T.O.	1	1						
31-1	1	194273-26510	SHAFT, P.T.O.	1	1						S
		(A=*1981.01) (B=*1981.01)									
31-2	1	194275-26511	SHAFT, P.T.O.	1	1						S
		(A=*1983.04) (B=*1983.04)									
32	1	194130-26350	SEAL TC 426009, OIL	1	1						
33	1	194130-26340	CLIP 35	1	1						
33-1	1	22292-000340	CIRCLIP S-34	1	1						S
		(A=*) (B=*)									
34	1	194275-26580	CLUTCH (A), ONE-WAY	1	1						W
		(A=*) (B=*)									
35	1	194275-26590	CLUTCH (B), ONE-WAY	1	1						W
		(A=*) (B=*)									
36	1	194275-26610	SPRING	1	1						W
		(A=*) (B=*)									
37	1	194130-25530	SPACER 26X44X3	1	1						W
		(A=*) (B=*)									
38	1	22252-000620	CIRCLIP 62(H)	1	1						W
		(A=*) (B=*)									
39	1	24101-060074	BALL BEARING	2	2						W
		(A=*) (B=*)									
40	1	794110-25220	JOINT ASSY	1	1						
42	1	22252-000220	CIRCLIP 22	1	1						
43	1	24121-063054	BALL BEARING	1	1						
44	1	22242-000320	CIRCLIP 32	2	2						
45	1	194370-26110	SHAFT, DRIVE	1	1						
46	1	194273-26130	GEAR, PTO 2ND	1	1						
47	1	194080-08140	BALL BEARING	1	1						
48	1	22242-000250	CIRCLIP 25S	1	1						
49	1	24101-062054	BEARING #6205	1	1						
50	1	22242-000400	CIRCLIP 40	2	2						
51	1	194273-26650	GEAR, SLIDE	1	1						
52	1	194275-26540	WASHER	1	1						
53	1	194275-26560	COLLAR 40X45X20.5	1	1						
54	1	194275-26520	GEAR, P.T.O.	1	1						
55	1	194275-26550	WASHER	1	1						
56	1	24121-063074	BALL BEARING	1	1						
57	1	194130-26370	SPACER 35X55X2.5	1	1						
58	1	22242-000350	CIRCLIP 35	1	1						
59	1	194130-33452	COLLAR 35X42X13	1	1						
60	1	194275-26510	SHAFT, P.T.O.	1	1						
61	1	194130-26350	SEAL TC 426009, OIL	1	1						
62	1	194130-26340	CLIP 35	1	1						

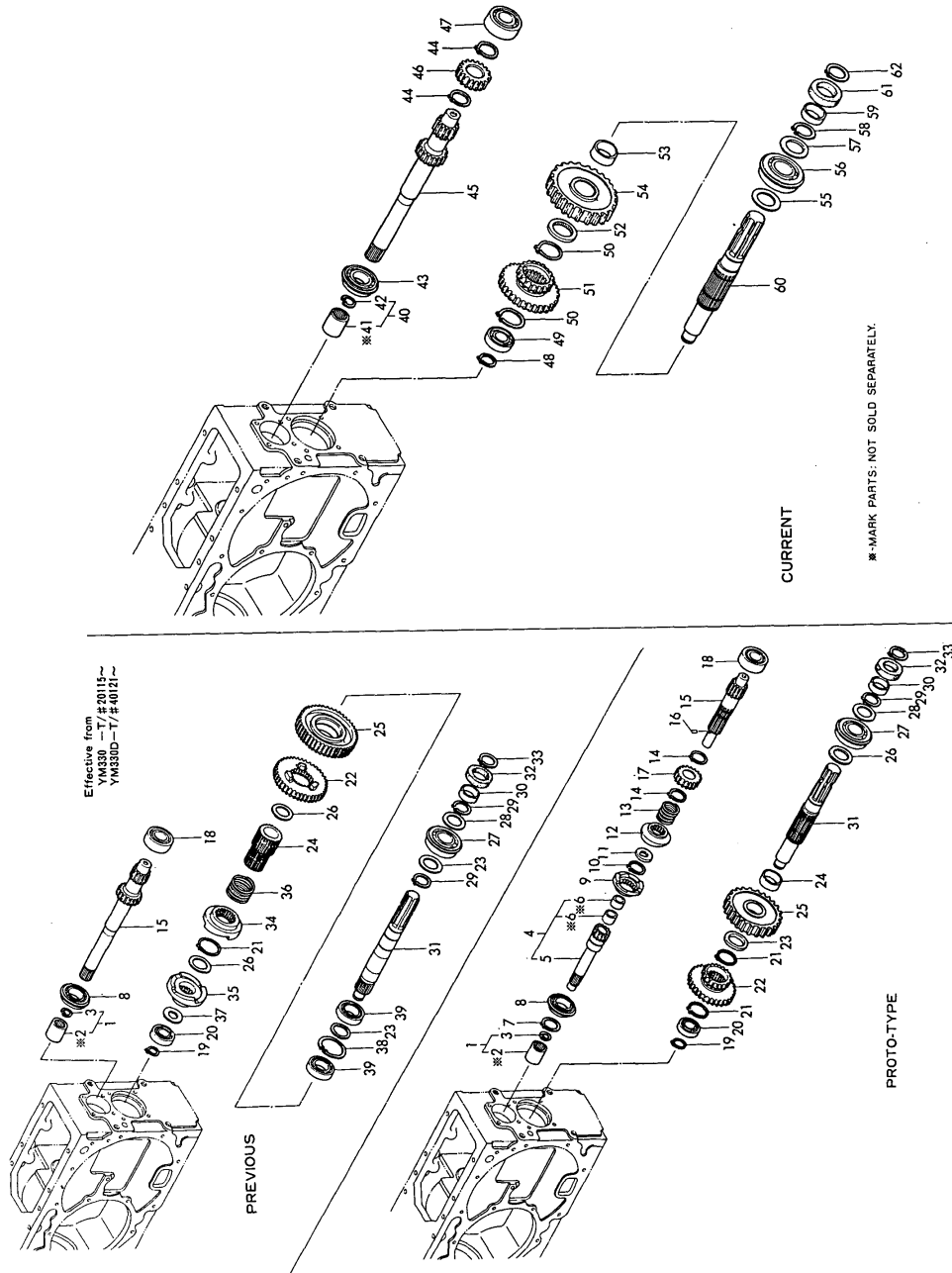
N:Old ↔ New, Q:Old ↔ New, R:Old ↔ New, S:Old ↔ New, W:Add, Z:Discontinued, F:Set Change, K:Q'ty Change  
(C)Copy Rights YANMAR CO.,LTD and YANMAR AGRICULTURAL EQUIPMENT CO.,LTD.

Fig.49. PTO SHAFT & DRIVING SHAFT(PG.)

(A)=YM330  
(B)=YM330D  
(C)=

(D)=  
(E)=  
(F)=

Fig.49 P.T.O. SHAFT & DRIVING SHAFT (2)



REF.	LEV.	PARTS NO.	DESCRIPTION	Q'TY						I	R
				(A)	(B)	(C)	(D)	(E)	(F)		
1	1	794110-25220	JOINT ASSY	1	1						
3	2	22252-000220	CIRCLIP 22	1	1						
4	1	194273-26100	SHAFT ASSY, DRIVING	1	1						Z
7	1	22242-000350	CIRCLIP 35	1	1						Z
8	1	24121-060074	BALL BEARING	1	1						Z
8-1	1	24121-063054	BALL BEARING	1	1						S
9	1	194273-26220	CLUTCH (A), 1-WAY	1	1						Z
10	1	194273-26260	CIRCLIP	1	1						Z
11	1	194273-26250	WASHER	1	1						Z
12	1	194273-26230	CLUTCH (B), 1-WAY	1	1						Z
13	1	194273-26240	SPRING	1	1						Z
14	1	22242-000320	CIRCLIP 32	2	2						Z
15	1	194273-26210	SHAFT, PTO PINION	1	1						Z
15-1	1	194273-26211	SHAFT, PTO PINION	1	1						S
16	1	194130-25270	PARALLEL PIN 3.5X6	1	1						Z
17	1	194273-26130	GEAR, PTO 2ND	1	1						Z
18	1	194080-08140	BALL BEARING	1	1						Z
19	1	22242-000250	CIRCLIP 25S	1	1						Z
20	1	24101-062054	BEARING #6205	1	1						Z
21	1	22242-000400	CIRCLIP 40	2	2						Z
21-1	1	22242-000500	CIRCLIP 50	1	1						S
22	1	194273-26650	GEAR, SLIDE	1	1						Z
22-1	1	194322-26330	GEAR, SLIDE	1	1						S
23	1	194275-26540	WASHER	1	1						Z
23-1	1	194275-26541	WASHER	1	1						R
23-2	1	194320-26360	COLLAR 35X45X2	1	1						S
24	1	194275-26560	COLLAR 40X45X20.5	1	1						Z
24-1	1	194322-26570	SHAFT, P.T.O.	1	1						S
25	1	194275-26520	GEAR, P.T.O.	1	1						Z
25-1	1	194322-26340	GEAR, P.T.O. 46	1	1						S
26	1	194275-26550	WASHER	1	1						Z
26-1	1	194322-26550	WASHER	1	1						S
27	1	24121-063074	BALL BEARING	1	1						Z
28	1	194130-26370	SPACER 35X55X2.5	1	1						Z
29	1	22242-000350	CIRCLIP 35	1	1						Z
29-1	1	22242-000340	CIRCLIP 34	1	1						S
30	1	194130-33452	COLLAR 35X42X13	1	1						Z
31	1	194275-26510	SHAFT, P.T.O.	1	1						Z
31-1	1	194273-26510	SHAFT, P.T.O.	1	1						S
32	1	194130-26350	SEAL TC 426009, OIL	1	1						Z
33	1	194130-26340	CLIP 35	1	1						Z
33-1	1	22292-000340	CIRCLIP S-34	1	1						S
34	1	194275-26580	CLUTCH (A), ONE-WAY	1	1						W
35	1	194275-26590	CLUTCH (B), ONE-WAY	1	1						W
36	1	194275-26610	SPRING	1	1						W
37	1	194130-25530	SPACER 26X44X3	1	1						W
38	1	22252-000620	CIRCLIP 62(H)	1	1						W
39	1	24101-060074	BALL BEARING	2	2						W
40	1	794110-25220	JOINT ASSY	1	1						Z
42	1	22252-000220	CIRCLIP 22	1	1						Z
43	1	24121-063054	BALL BEARING	1	1						Z

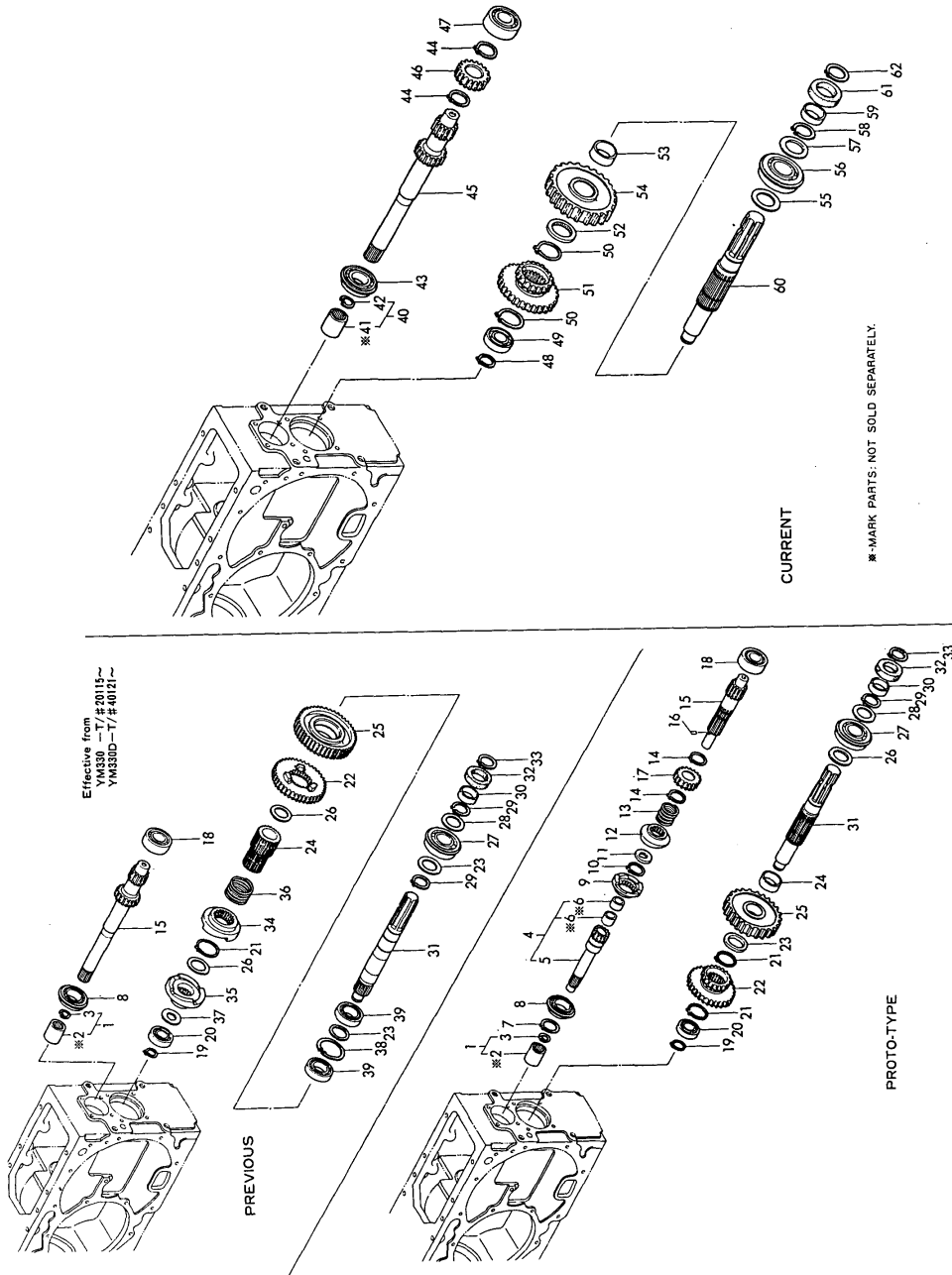
N:Old ↔ New, Q:Old ↔ New, R:Old ↔ New, S:Old ↔ New, W:Add, Z:Discontinued, F:Set Change, K:Q'ty Change  
++ CONTINUE ++  
(C)Copy Rights YANMAR CO.,LTD and YANMAR AGRICULTURAL EQUIPMENT CO.,LTD.

Fig.49. PTO SHAFT & DRIVING SHAFT(PG.)

(A)=YM330  
(B)=YM330D  
(C)=

(D)=  
(E)=  
(F)=

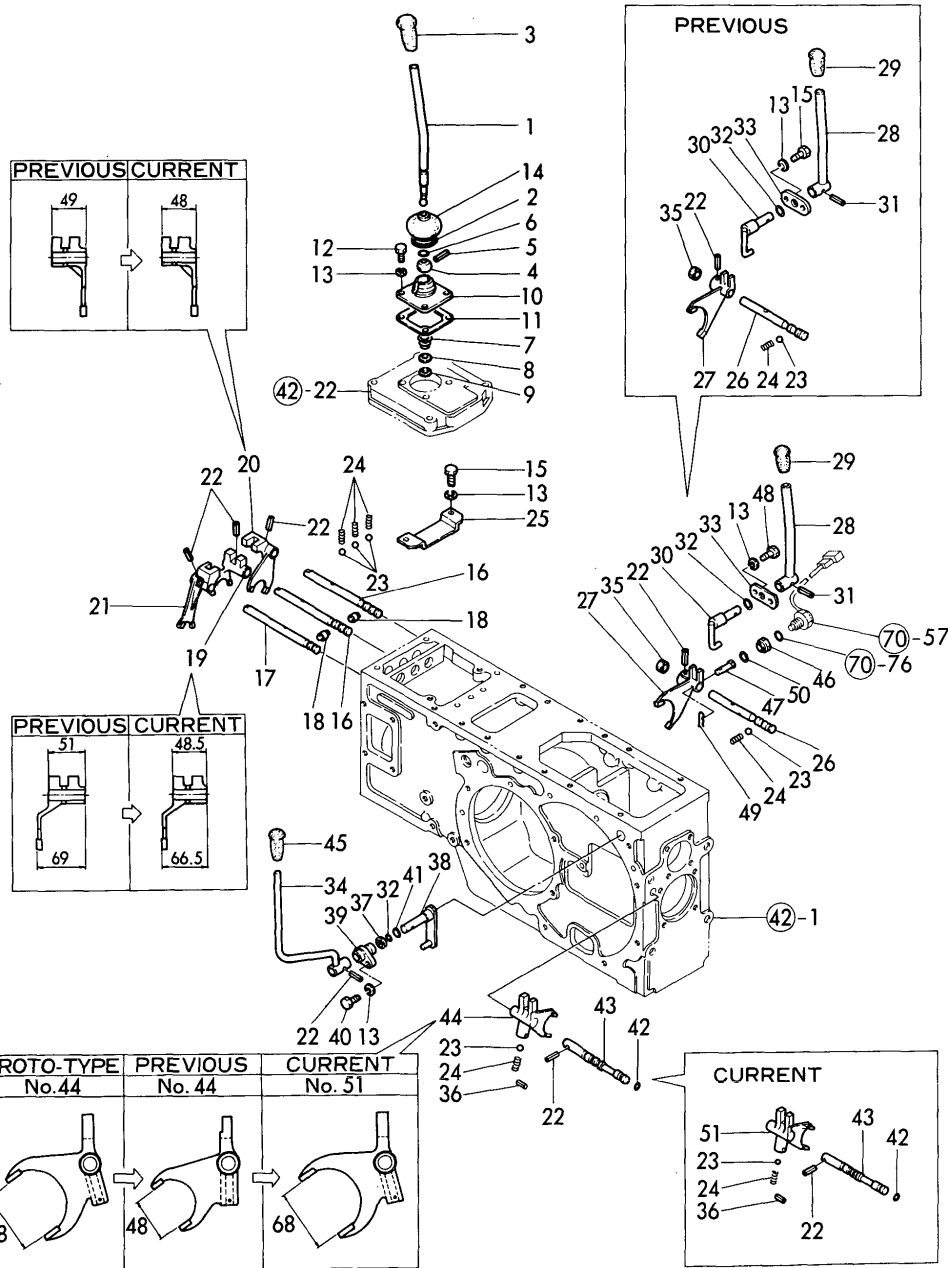
Fig.49 P.T.O. SHAFT & DRIVING SHAFT (2)



REF.	LEV.	PARTS NO.	DESCRIPTION	Q'TY						I	R
				(A)	(B)	(C)	(D)	(E)	(F)		
44	1	22242-000320	CIRCLIP 32	2	2						
45	1	194370-26110	SHAFT, DRIVE	1	1						
46	1	194273-26130	GEAR, PTO 2ND	1	1						
47	1	194080-08140	BALL BEARING	1	1						
48	1	22242-000250	CIRCLIP 25S	1	1						
49	1	24101-062054	BEARING #6205	1	1						
50	1	22242-000400	CIRCLIP 40	2	2						
51	1	194273-26650	GEAR, SLIDE	1	1						
52	1	194275-26540	WASHER	1	1						
53	1	194275-26560	COLLAR 40X45X20.5	1	1						
54	1	194275-26520	GEAR, P.T.O.	1	1						
55	1	194275-26550	WASHER	1	1						
56	1	24121-063074	BALL BEARING	1	1						
57	1	194130-26370	SPACER 35X55X2.5	1	1						
58	1	22242-000350	CIRCLIP 35	1	1						
59	1	194130-33452	COLLAR 35X42X13	1	1						
60	1	194275-26510	SHAFT, P.T.O.	1	1						
61	1	194130-26350	SEAL TC 426009, OIL	1	1						
62	1	194130-26340	CLIP 35	1	1						

Fig.50. TRANSMISSION SHIFTER(USA)

Fig. 50 TRANSMISSION SHIFTER (1)



Y00T2341 50. TRANSMISSION SHIFTER(USA)

(A)=YM330  
(B)=YM330D  
(C)=

(D)=  
(E)=  
(F)=

REF.	LEV.	PARTS NO.	DESCRIPTION	Q'TY						I	R
				(A)	(B)	(C)	(D)	(E)	(F)		
1	1	194134-27110-X	LEVER, MAIN CHANGE	1	1						
2	1	194190-27280	O-RING	1	1						
3	1	1A1020-58150	GRIP, CHANGE LEVER	1	1						
4	1	1E4030-27340	BALL, CHANGE SHIFTER	1	1						
5	1	22351-050040	SPRING PIN 5X40	1	1						
6	1	1A1040-26320	CIRCLIP 30-H	1	1						
7	1	194080-27172	SPRING	1	1						
8	1	194080-27190	WASHER 13X19X2	1	1						
9	1	22272-000100	CIRCLIP E-10	1	1						
10	1	194145-27150-X	LEVER, SHIFT	1	1						
10-1	1	194145-27151-X	COVER, CHANGE LEVEL	1	1						N
				(A=*1981.06)	(B=*1981.06)						
11	1	194145-27160	GASKET, RETAINER	1	1						
12	1	26116-080222	BOLT M 8X 22 PLATED	4	4						
12-1	1	26013-080202	BOLT W/WASHER M8X20	4	4						N
				(A=*)	(B=*)						
13	1	22217-080000	SPRING WASHER 8	9	9						
14	1	194080-27252	BOOT (RUBBER)	1	1						
15	1	26116-080162	BOLT M 8X 16 PLATED	4	4						
15-1	1	26116-080162	BOLT M 8X 16 PLATED	2	2						K
				(A=T/# 00292)	(B=T/# 00618)						
16	1	194145-27210	SHAFT, FORK	2	2						
17	1	194145-27230	SHAFT, FORK	1	1						
18	1	194130-27490	SPINDLE	2	2						
19	1	194130-27310	FORK, SHIFT (1-2)	1	1						
19-1	1	194464-27310	FORK, SHIFT (1-2)	1	1						S
				(A=T/# 00292)	(B=T/# 00618)						
20	1	194275-27321	FORK, SHIFT (3-4)	1	1						
20-1	1	194464-27320	FORK, SHIFT (3-4)	1	1						S
				(A=T/# 00292)	(B=T/# 00618)						
21	1	194130-27332	FORK, REVERSE SHIFT	1	1						
22	1	22351-060025	SPRING PIN 6X25	7	7						
23	1	24190-100001	BALL 5/16, STEEL	5	5						
24	1	194145-27450	SPRING	5	5						
25	1	194130-27430	STOPPER, FORK	1	1						
26	1	194145-27510	SHAFT, FORK	1	1						
26-1	1	194464-27620	SHAFT, FORK	1	1						S
				(A=T/# 00292)	(B=T/# 00623)						
27	1	194130-27610	FORK, SHIFT	1	1						
27-1	1	194464-27610	FORK, SHIFT	1	1						S
				(A=T/# 00292)	(B=T/# 00623)						
28	1	194145-27410-X	LEVER, LOW-HI CHANGE	1	1						
29	1	194490-85561	KNOB, SHIFT LEVER	1	1						
30	1	194130-27530	ARM, SHIFT	1	1						
31	1	22351-060025	SPRING PIN 6X25	1	1						
32	1	24311-000160	O-RING 1A P-16.0	2	2						
33	1	194130-27540	PLATE, KEEP	2	2						
34	1	194275-27810-X	LEVER, PTO CLUTCH	1	1						
34-1	1	194275-27811	LEVER, PTO	1	1						N
				(A=*1982.10)	(B=*1982.10)						
34-2	1	194275-27812	LEVER, PTO CLUTCH	1	1						N

N:Old ↔ New, Q:Old ↔ New, R:Old ↔ New, S:Old ↔ New, W:Add, Z:Discontinued, F:Set Change, K:Q'ty Change  
 ++ CONTINUE ++  
 (C)Copy Rights YANMAR CO.,LTD and YANMAR AGRICULTURAL EQUIPMENT CO.,LTD.

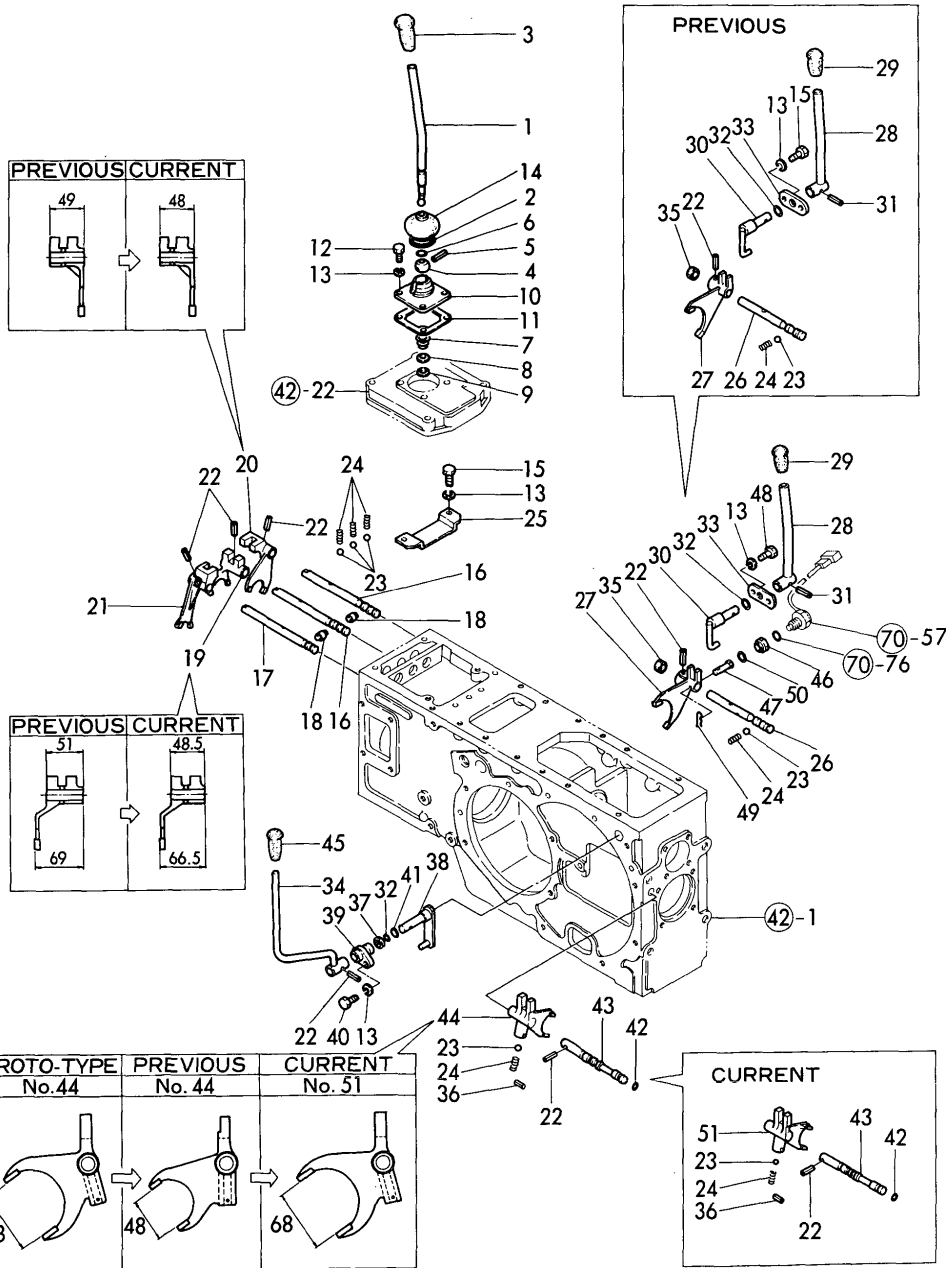


Fig.50. TRANSMISSION SHIFTER(USA)

(A)=YM330  
(B)=YM330D  
(C)=

(D)=  
(E)=  
(F)=

Fig. 50 TRANSMISSION SHIFTER (1)

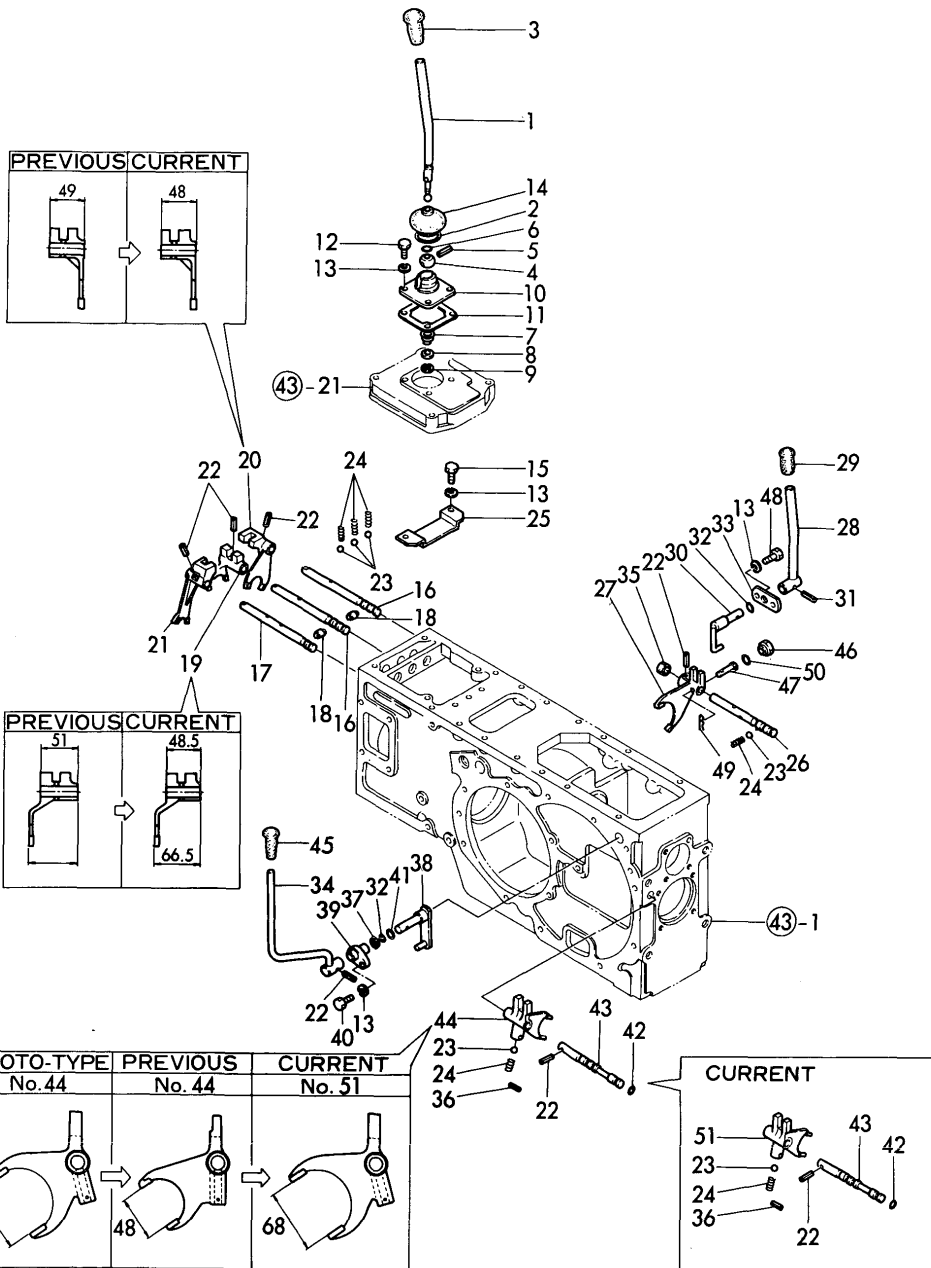


REF.	LEV.	PARTS NO.	DESCRIPTION	Q'TY						I	R	
				(A)	(B)	(C)	(D)	(E)	(F)			
		(A=*1987.05)	(B=*1987.05)									
35	1	194130-33190	PLUG 20X8		1							1
36-1	1	22351-030018	SPRING PIN 3X18		1	1						
37	1	194145-27860	SPACER, SHIFT ARM		1	1						
38	1	194275-27830	ARM		1	1						
38-1	1	194370-27830	ARM, P.T.O. SHIFT		1	1						N
		(A=*1981.01)	(B=*1981.01)									
39	1	194145-27850	BUSH		1	1						
40	1	26116-080252	BOLT M 8X 25 PLATED		1	1						
41	1	24311-000220	O-RING 1A P-22.0		1	1						
42	1	24311-000110	O-RING 1A P-11.0		1	1						
43	1	194273-27910	SHAFT, FORK		1	1						
44	1	194275-27950	FORK, P.T.O. SHIFT		1	1						
45	1	194145-27960	KNOB		1	1						
46	1	194464-27651	ADAPTER, SWITCH		1	1						W
		(A=T/# 00292)	(B=T/# 00623)									
47	1	194464-27660	PIN, STARTER SWITCH		1	1						W
		(A=T/# 00292)	(B=T/# 00623)									
48	1	26116-080202	BOLT M 8X 20 PLATED		2	2						W
		(A=T/# 00292)	(B=T/# 00623)									
49	1	22360-060000	SNAP PIN 6		1	1						W
		(A=T/# 00292)	(B=T/# 00623)									
50	1	24341-000290	O-RING 1A S-29.0		1	1						W
		(A=T/# 00292)	(B=T/# 00623)									

N:Old ↔ New, Q:Old ↔ New, R:Old ↔ New, S:Old ↔ New, W:Add, Z:Discontinued, F:Set Change, K:Q'ty Change  
(C)Copy Rights YANMAR CO.,LTD and YANMAR AGRICULTURAL EQUIPMENT CO.,LTD.

Fig.51. TRANSMISSION SHIFTER(PG.)

Fig. 51 TRANSMISSION SHIFTER (2)



(A)=YM330  
(B)=YM330D  
(C)=

(D)=  
(E)=  
(F)=

REF.	LEV.	PARTS NO.	DESCRIPTION	Q'TY						I	R
				(A)	(B)	(C)	(D)	(E)	(F)		
1	1	194134-27110-X	LEVER, MAIN CHANGE	1	1						
2	1	194190-27280	O-RING	1	1						
3	1	1A1020-58150	GRIP, CHANGE LEVER	1	1						
4	1	1E4030-27340	BALL, CHANGE SHIFTER	1	1						
5	1	22351-050040	SPRING PIN 5X40	1	1						
6	1	1A1040-26320	CIRCLIP 30-H	1	1						
7	1	194080-27172	SPRING	1	1						
8	1	194080-27190	WASHER 13X19X2	1	1						
9	1	22272-000100	CIRCLIP E-10	1	1						
10	1	194145-27150-X	LEVER, SHIFT	1	1						
10-1	1	194145-27151	RETAINER	1	1						R
11	1	194145-27160	GASKET, RETAINER	1	1						
12	1	26116-080222	BOLT M 8X 22 PLATED	4	4						
13	1	22217-080000	SPRING WASHER 8	9	9						
14	1	194080-27252	BOOT (RUBBER)	1	1						
15	1	26116-080162	BOLT M 8X 16 PLATED	2	2						
16	1	194145-27210	SHAFT, FORK	2	2						
17	1	194145-27230	SHAFT, FORK	1	1						
18	1	194130-27490	SPINDLE	2	2						
19	1	194130-27310	FORK, SHIFT (1-2)	1	1						
19-1	1	194464-27310	FORK, SHIFT (1-2)	1	1						S
20	1	194275-27321	FORK, SHIFT (3-4)	1	1						
20-1	1	194464-27320	FORK, SHIFT (3-4)	1	1						S
21	1	194130-27332	FORK, REVERSE SHIFT	1	1						
22	1	22351-060025	SPRING PIN 6X25	7	7						
23	1	24190-100001	BALL 5/16, STEEL	5	5						
24	1	194145-27450	SPRING	5	5						
25	1	194130-27430	STOPPER, FORK	1	1						
26	1	194464-27620	SHAFT, FORK	1	1						
27	1	194464-27610	FORK, SHIFT	1	1						
28	1	194145-27410-X	LEVER, LOW-HI CHANGE	1	1						
29	1	194490-85561	KNOB, SHIFT LEVER	1	1						
30	1	194130-27530	ARM, SHIFT	1	1						
31	1	22351-060025	SPRING PIN 6X25	1	1						
32	1	24311-000160	O-RING 1A P-16.0	2	2						
33	1	194130-27540	PLATE, KEEP	2	2						
34	1	194270-27810-X	LEVER, P.T.O. SHIFT	1	1						
35	1	194130-33190	PLUG 20X8	1	1						1
36	1	22351-030018	SPRING PIN 3X18	1	1						
37	1	194145-27860	SPACER, SHIFT ARM	1	1						
38	1	194370-27830	ARM, P.T.O. SHIFT	1	1						
39	1	194145-27850	BUSH	1	1						
40	1	26116-080252	BOLT M 8X 25 PLATED	1	1						
41	1	24311-000220	O-RING 1A P-22.0	1	1						
42	1	24311-000110	O-RING 1A P-11.0	1	1						
43	1	194273-27910	SHAFT, FORK	1	1						
44	1	194275-27950	FORK, P.T.O. SHIFT	1	1						
44-1	1	194273-27950	FORK, P.T.O. SHIFT	1	1						S
45	1	194145-27960	KNOB	1	1						
46	1	194464-27651	ADAPTER, SWITCH	1	1						
47	1	194464-27660	PIN, STARTER SWITCH	1	1						

N:Old ↔ New, Q:Old ↔ New, R:Old ↔ New, S:Old ↔ New, W:Add, Z:Discontinued, F:Set Change, K:Q'ty Change  
 ++ CONTINUE ++ (C)Copy Rights YANMAR CO.,LTD and YANMAR AGRICULTURAL EQUIPMENT CO.,LTD.

Fig.51. TRANSMISSION SHIFTER(PG.)

(A)=YM330  
(B)=YM330D  
(C)=

(D)=  
(E)=  
(F)=

Fig. 51 TRANSMISSION SHIFTER (2)

REF.	LEV.	PARTS NO.	DESCRIPTION	Q'TY					
				(A)	(B)	(C)	(D)	(E)	(F)
48	1	26116-080202	BOLT M 8X 20 PLATED	2	2				
49	1	22360-060000	SNAP PIN 6	1	1				
50	1	24341-000290	O-RING 1A S-29.0	1	1				

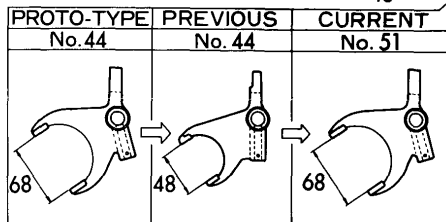
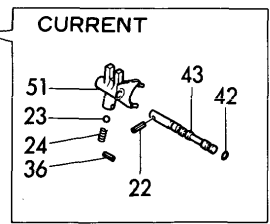
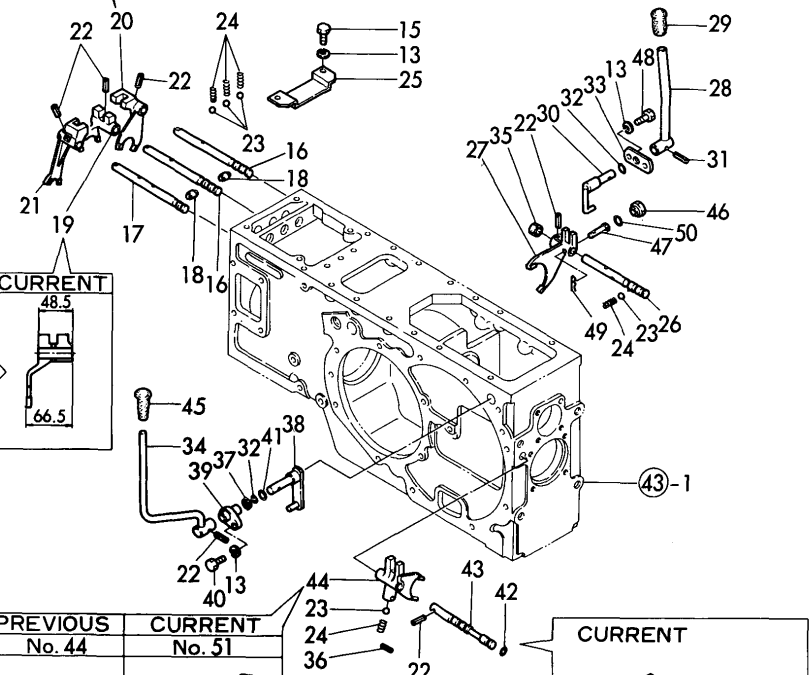
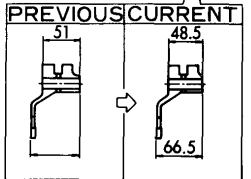
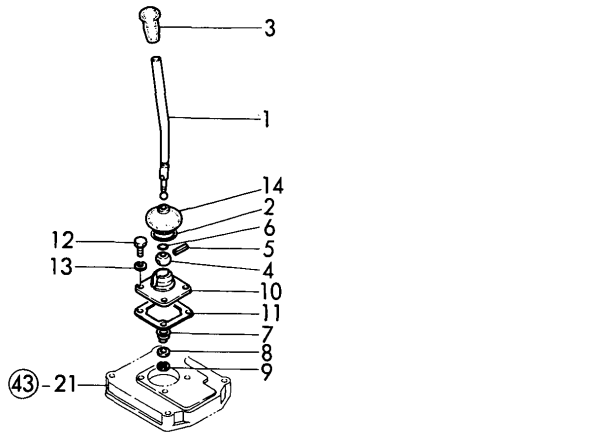
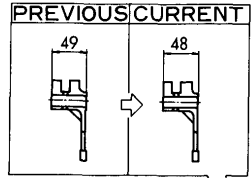
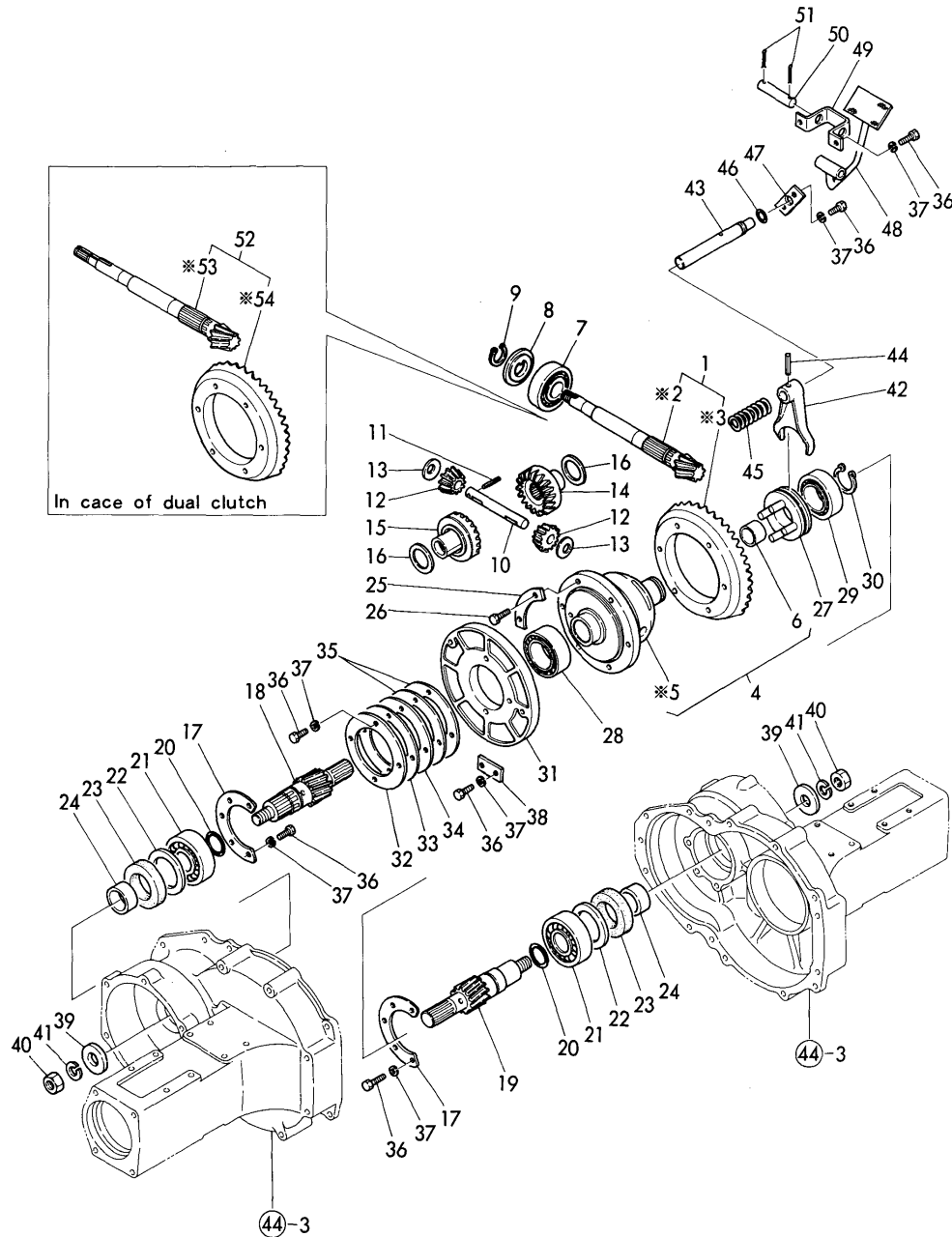


Fig.52. REAR AXLE

Fig. **52** REAR AXLE



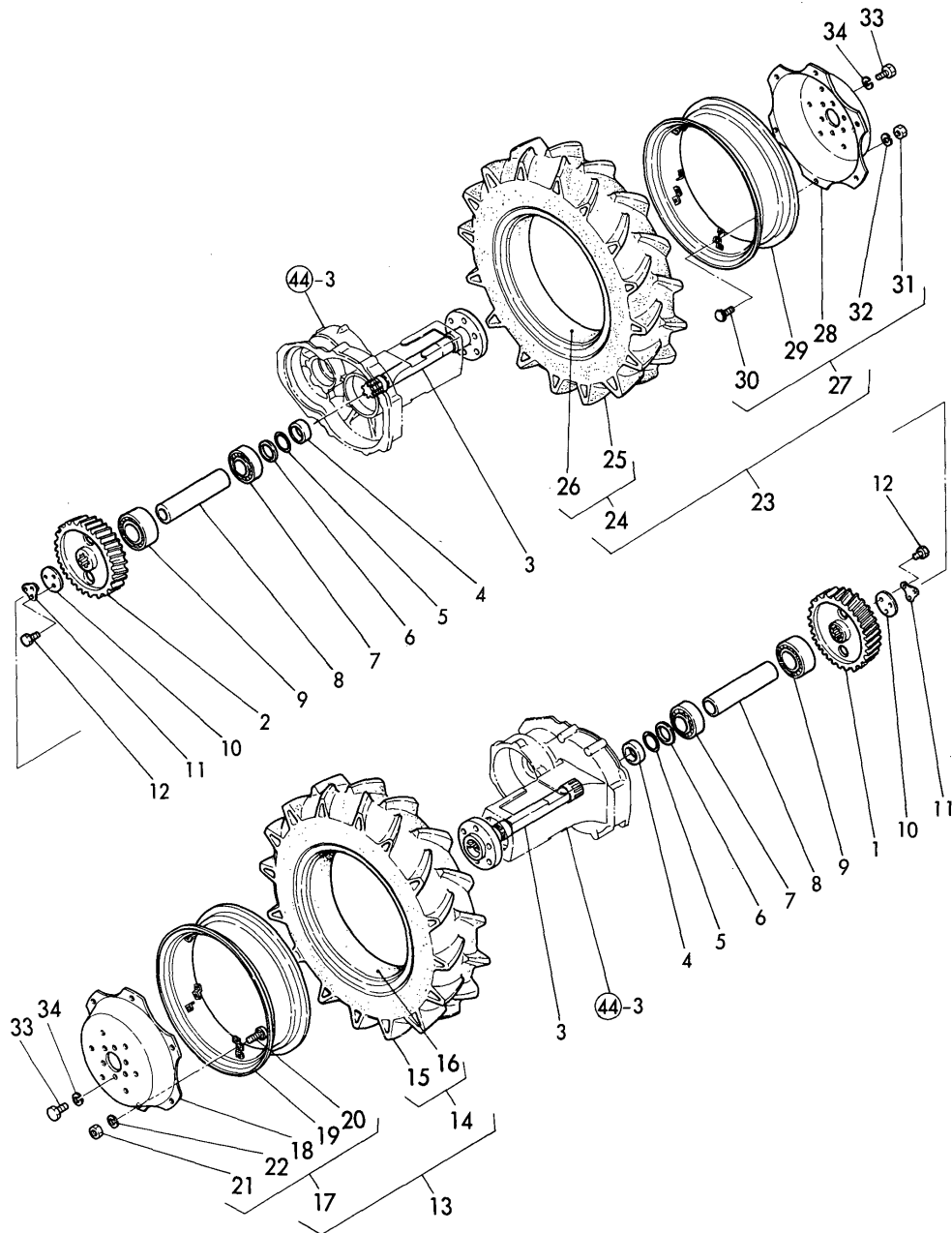
(A)=YM330  
(B)=YM330D  
(C)=

(D)=  
(E)=  
(F)=

REF.	LEV.	PARTS NO.	DESCRIPTION	Q'TY						I	R
				(A)	(B)	(C)	(D)	(E)	(F)		
1	1	194145-31400	GEAR W/COUNTERSHAFT	1							
4	1	194145-32100	HOUSING ASSY, DIFF.	1	1						
6	2	194145-32121	BUSH 33X37X21	1	1						
7	1	194080-08420	ROLLER BEARING	1	1						
8	1	194130-31431	WASHER 35.3X70X3.5	1	1						
9	1	22242-000350	CIRCLIP 35	1	1						
10	1	194145-31820	SHAFT, DIFFERENTIAL	1	1						
11	1	22351-060036	SPRING PIN 6X36	1	1						
12	1	194130-31810	PINION, DIFFERENTIAL	2	2						
13	1	194130-31830	WASHER, DIFFERENTIAL	2	2						
14	1	194145-31510	GEAR, DIFFERENTIAL	1	1						
15	1	194145-31520	GEAR, DIFFERENTIAL	1	1						
16	1	194130-31530	WASHER, DIFFERENTIAL	2	2						
17	1	194145-32650	RETAINER, BEARING	2	2						
18	1	194145-33410	PINION(L), FINAL	1	1						
19	1	194145-33420	PINION(R), FINAL	1	1						
20	1	24321-000350	O-RING 1A G-35.0	2	2						
21	1	24104-063084	BALL BEARING	2	2						
22	1	194145-33490	SPACER 65X78X2.3	2	2						
23	1	194145-32660	SEAL TC55 78 12, OIL	2	2						
24	1	194145-33430	COLLAR 40X55X18	2	2						
25	1	194130-32210	WASHER, LOCK	3	3						
26	1	26156-100222	BOLT M10X 22 PLATED	6	6						
27	1	194130-33100	SLIDER, DIFFERENTIAL	1	1						
28	1	24101-062114	BALL BEARING	1	1						
29	1	24101-062104	BALL BEARING	1	1						
30	1	22242-000500	CIRCLIP 50	1	1						
31	1	194130-32310	CARRIER,DIFFERENTIAL	1	1						
32	1	194130-32320	RETAINER, BEARING	1	1						
33	1	194130-32330	SHIM A	1	1						1
34	1	194130-32340	SHIM B	1	1						1
35	1	194130-32350	SHIM C	1	1						1
36	1	26116-080182	BOLT M 8X 18 PLATED	22	22						
37	1	22217-080000	SPRING WASHER 8	22	22						
38	1	194130-32360	PLATE, LOCK	2	2						
39	1	194145-33480	WASHER 22	2	2						
40	1	26776-220002	LOCK NUT M22 PLATED	2	2						
41	1	22217-220000	SPRING WASHER 22	2	2						
42	1	194130-33110	FORK, SHIFT	1	1						
42-1	1	194130-33111	FORK, SHIFT	1	1						R
43	1	194130-33120	SHAFT, FORK	1	1						
44	1	22351-080036	SPRING PIN 8X36	1	1						
45	1	194130-33180	SPRING, RETURN	1	1						
46	1	24311-000160	O-RING 1A P-16.0	1	1						
47	1	194130-33170	PLATE, KEEP	1	1						
48	1	194145-33211-X	PEDAL, DIFF. LOCK	1	1						
49	1	194130-33150-X	HINGE	1	1						
50	1	194130-33161	PIN	1	1						
51	1	22417-400300	COTTER PIN 4.0X30	2	2						
52	1	194274-31400	GEAR W/COUNTERSHAFT	1	1						2

Fig.53. REAR AXLE & TIRE

Fig. 53 REAR AXLE & TIRE



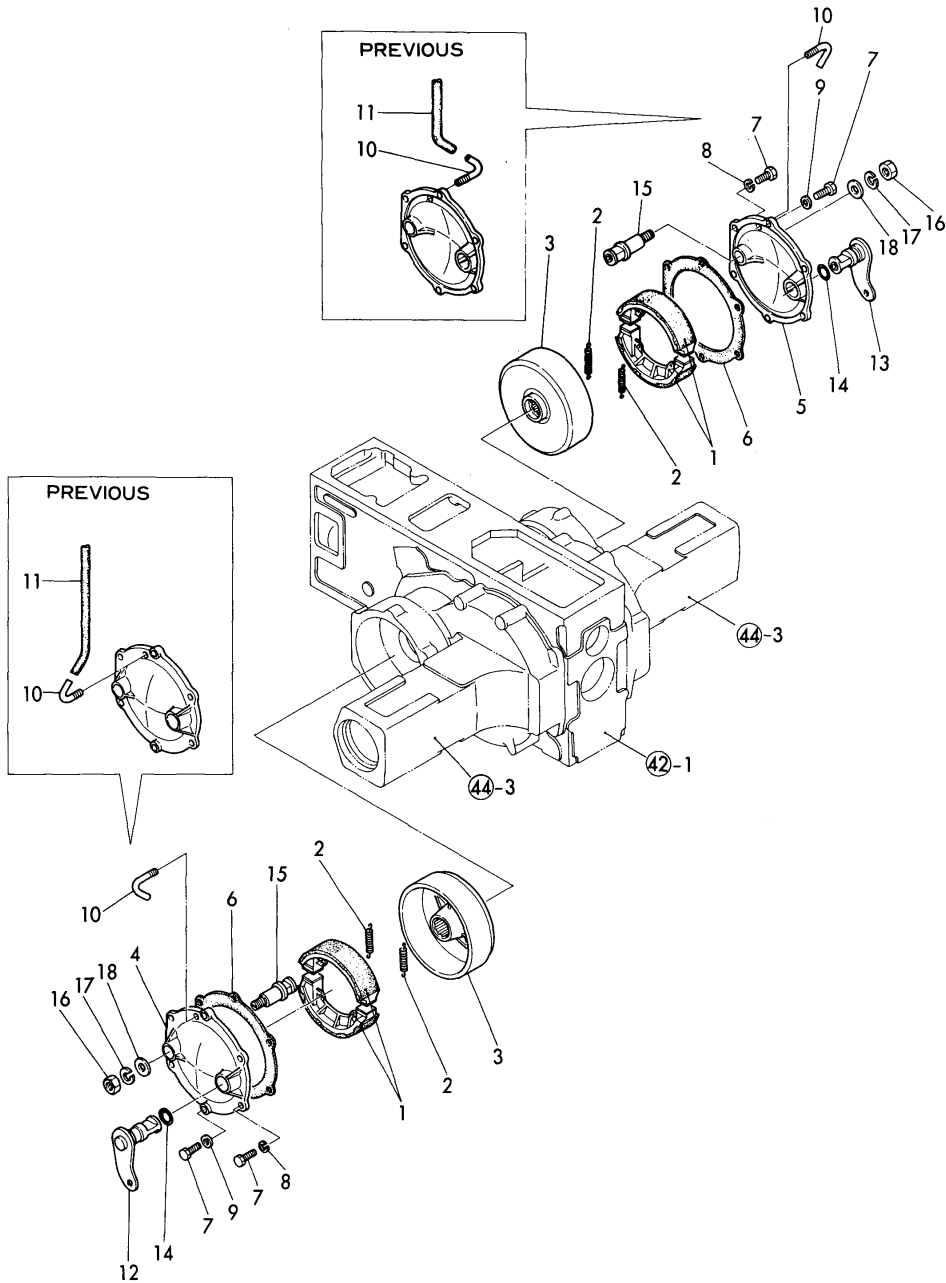
(A)=YM330  
(B)=YM330D  
(C)=

(D)=  
(E)=  
(F)=

REF.	LEV.	PARTS NO.	DESCRIPTION	Q'TY						I	R
				(A)	(B)	(C)	(D)	(E)	(F)		
1	1	194145-33510	GEAR, FINAL L	1	1						
2	1	194145-33520	GEAR, FINAL R	1	1						
3	1	194145-34120-X	SHAFT, REAR AXLE	2	2						
4	1	194145-34360	SEAL COLLAR 60X75X26	2	2						
5	1	24321-000600	O-RING 1A G-60.0	2	2						
6	1	194145-34390	SPACER	2	2						
7	1	24101-062124	BALL BEARING	2	2						
8	1	194145-34170	SPACER	2	2						
9	1	24101-063124	BALL BEARING	2	2						
10	1	194145-34370	WASHER	2	2						
11	1	194145-34380	WASHER	2	2						
12	1	26116-100302	BOLT M10X 30 PLATED	6	6						
13	1	794142-34601-P	TIRE ASSY 11 X28	1	1						
14	2	794082-34900	TIRE W/TUBE 11X28	1	1						
15	3	194082-34910	TIRE 11 X 28	1	1						
16	3	194082-34920	TUBE 11-28	1	1						
17	2	794142-34801-P	WHEEL W11X 28W	1	1						
18	3	194142-34810-P	DISC	1	1						
19	3	194142-34821-P	RIM	1	1						
20	3	194130-34850	BOLT M16X 35	6	6						
21	3	194130-34840	NUT M16	6	6						
22	3	22217-160000	SPRING WASHER 16	6	6						
23	1	794142-34621-P	TIRE(R) ASSY, REAR	1	1						
24	2	794082-34900	TIRE W/TUBE 11X28	1	1						
25	3	194082-34910	TIRE 11 X 28	1	1						
26	3	194082-34920	TUBE 11-28	1	1						
27	2	794142-34801-P	WHEEL W11X 28W	1	1						
28	3	194142-34810-P	DISC	1	1						
29	3	194142-34821-P	RIM	1	1						
30	3	194130-34850	BOLT M16X 35	6	6						
31	3	194130-34840	NUT M16	6	6						
32	3	22217-160000	SPRING WASHER 16	6	6						
33	1	194130-34180	BOLT M16X 30	12	12						
34	1	22217-160000	SPRING WASHER 16	12	12						

Fig.54. BRAKES

Fig. **54** BRAKES



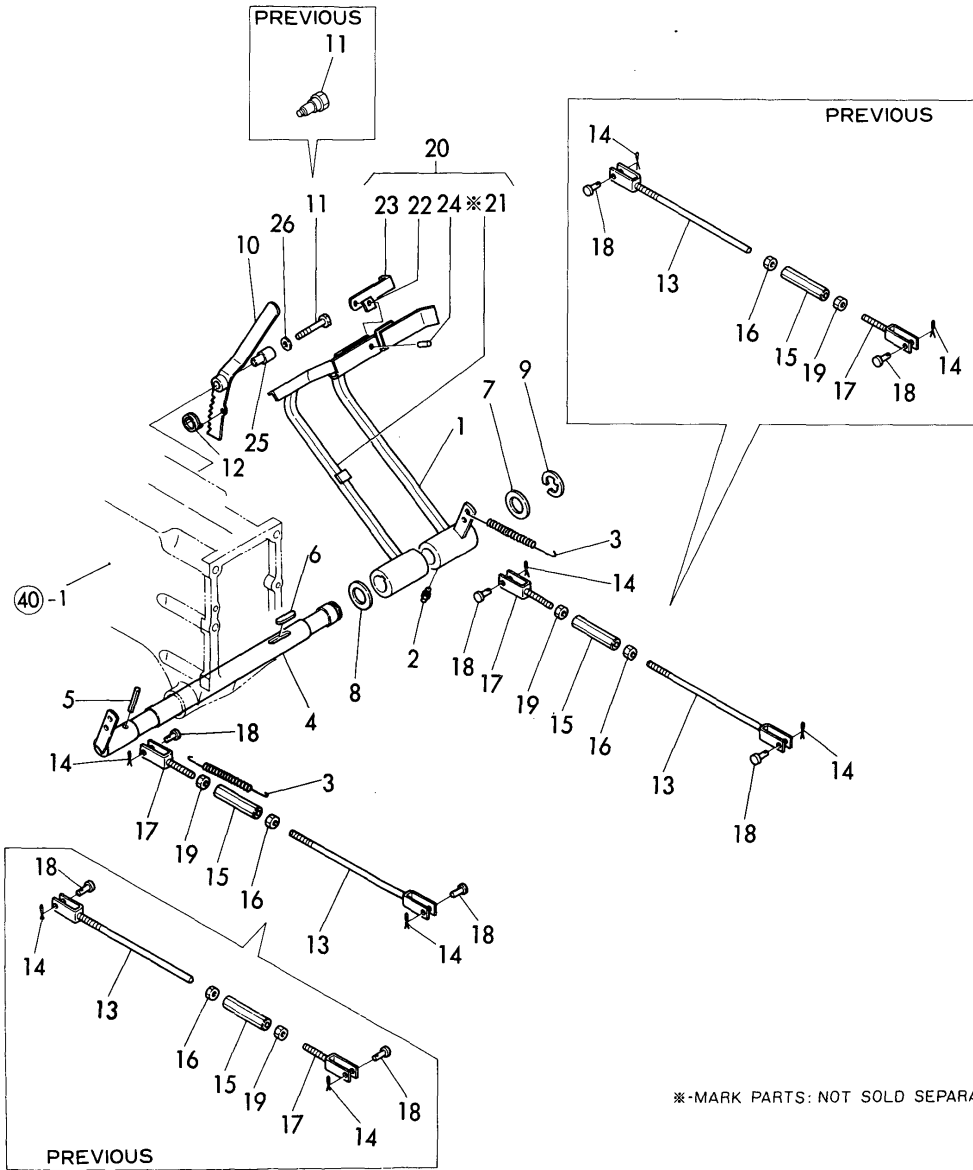
(A)=YM330  
(B)=YM330D  
(C)=

(D)=  
(E)=  
(F)=

REF.	LEV.	PARTS NO.	DESCRIPTION	Q'TY						I	R
				(A)	(B)	(C)	(D)	(E)	(F)		
1	1	194145-36510	SHOE, BRAKE	4	4						
2	1	194145-36551	SPRING, RETURN	4	4						
3	1	194145-36570	DRUM, BRAKE	2	2						
4	1	194145-36610-X	COVER (L), BRAKE	1	1						
5	1	194145-36620-X	COVER (R), BRAKE	1	1						
6	1	194145-36630	GASKET	2	2						
7	1	26116-100252	BOLT M10X 25 PLATED	12	12						
8	1	22217-100000	SPRING WASHER 10	8	8						
9	1	194145-36810	WASHER 10X17X1.6	4	4						
10	1	194145-36651	BREATHER, AIR	2	2						
11	1	23064-060600	PIPE 6X 600	2	2						
11-1	1	23064-060500	PIPE 6X 500	2	2						R
		(A=*) (B=*)									
12	1	194145-36711-X	CAMSHAFT(L), BRAKE	1	1						
13	1	194145-36721-X	CAMSHAFT(R), BRAKE	1	1						
14	1	24311-000280	O-RING 1A P-28.0	2	2						
15	1	194145-36730	PIN, ANCHOR	2	2						
16	1	26716-160002	NUT M16	2	2						
17	1	22217-160000	SPRING WASHER 16	2	2						
18	1	22137-160000	WASHER 16,POLISHED	2	2						

Fig.55. BRAKE PEDAL(U.S.A.)

Fig. 55 BRAKE PEDAL



\*-MARK PARTS: NOT SOLD SEPARATELY.

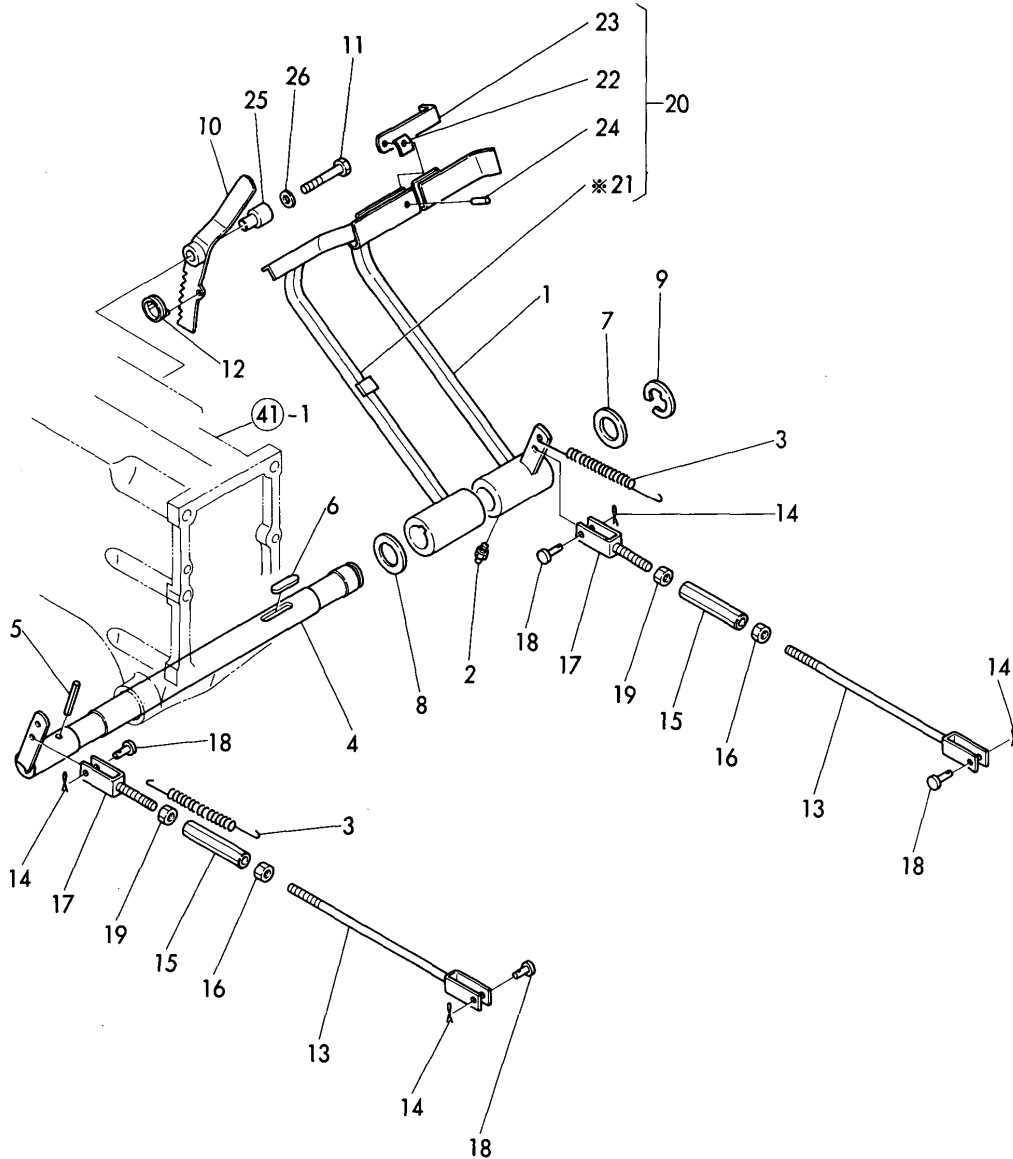
(A)=YM330  
(B)=YM330D  
(C)=

(D)=  
(E)=  
(F)=

REF.	LEV.	PARTS NO.	DESCRIPTION	Q'TY						I	R
				(A)	(B)	(C)	(D)	(E)	(F)		
1	1	194145-37470-X	PEDAL, BRAKE	1	1						
1-1	1	194145-37471-X	PEDEL(R) ASSY, BRAKE	1	1						N
		(A=*1983.12) (B=*1983.12)									
2	1	24764-010000	NIPPLE M6F, GREASE	1	1						
2-1	1	24761-010000	NIPPLE M6F, GREASE	1	1						R
		(A=*) (B=*)									
3	1	194145-37512	SPRING, RETURN		2	2					
4	1	194145-37550-X	SHAFT, BRAKE PEDAL	1	1						
5	1	22351-080050	SPRING PIN 8X50	1	1						
6	1	22512-070400	KEY 7X 40	1	1						
7	1	194145-37560	WASHER	1	1						
8	1	194145-37570	WASHER	1	1						
9	1	22272-000240	CIRCLIP E-24	1	1						
10	1	194145-37660-X	LEVER, BRAKE LOCK	1	1						
10-1	1	194145-37661-X	LEVER, BRAKE LOCK	1	1						R
		(A=*) (B=*)									
10-2	1	198245-38410	LEVER, BRAKE LOCK	1	1						N
		(A=*1985.09) (B=*1985.09)									
11	1	194145-37670	BOLT	1	1						
11-1	1	26013-100602	BOLT M10X 60	1	1						F 1
		(A=T/# 00244) (B=T/# 00408)									
11-2	1	26106-100602	BOLT M10X 60 PLATED	1	1						N
		(A=*1990.05) (B=*1990.05)									
12	1	194110-37691	SPRING, RETURN	1	1						
13	1	194145-37771	ROD, BRAKE	2	2						
14	1	22417-200300	COTTER PIN 2.0X30	4	4						
15	1	194151-37730	TURNBUCKLE M10X90	2	2						
16	1	26716-100002	NUT M10	2	2						
17	1	194130-37740	ROD, BRAKE	2	2						
18	1	194080-37781	PIN 8X25	4	4						
19	1	194150-22480	NUT M10	2	2						
20	1	194145-37421-X	PEDAL, BRAKE	1	1						
22	2	194150-37530	SPACER	1	1						
23	2	194145-37540-R	CONNECTOR	1	1						
24	2	22351-080018	SPRING PIN 8X18	1	1						
25	1	194275-37670	COLLAR	1	1						F 1
		(A=T/# 00244) (B=T/# 00408)									
26	1	22157-100000	WASHER 10	1	1						F 1
		(A=T/# 00244) (B=T/# 00408)									

Fig.56. BRAKE PEDAL(PORTUGAL)

Fig. **56** BRAKE PEDAL



(A)=YM330  
(B)=YM330D  
(C)=

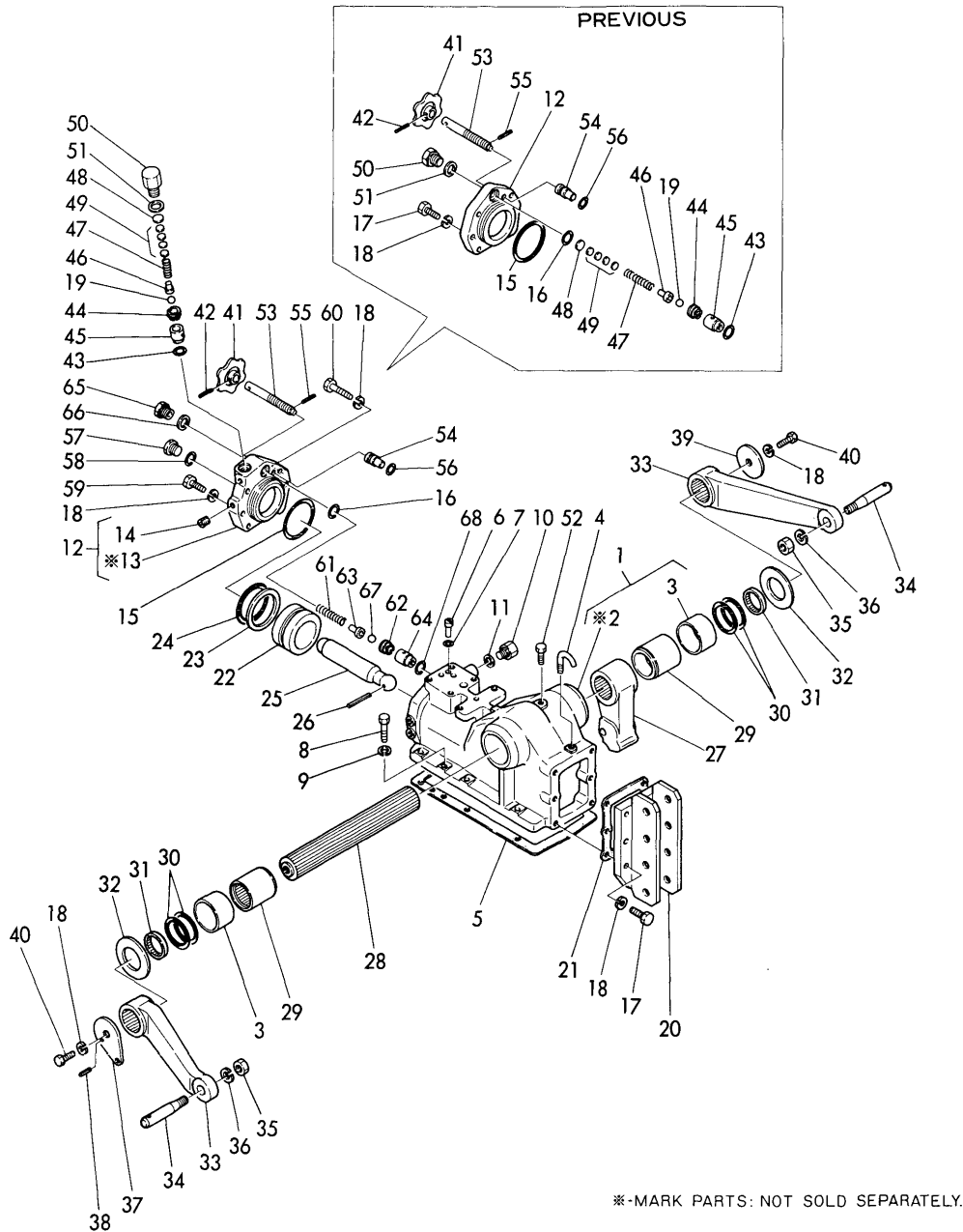
(D)=  
(E)=  
(F)=

REF.	LEV.	PARTS NO.	DESCRIPTION	Q'TY						I	R
				(A)	(B)	(C)	(D)	(E)	(F)		
1	1	194145-37470-X	PEDAL, BRAKE	1	1						
2	1	24764-010000	NIPPLE M6F, GREASE	1	1						
3	1	194145-37512	SPRING, RETURN	2	2						
4	1	194145-37550-X	SHAFT, BRAKE PEDAL	1	1						
5	1	22351-080050	SPRING PIN 8X50	1	1						
6	1	22512-070400	KEY 7X 40	1	1						
7	1	194145-37560	WASHER	1	1						
8	1	194145-37570	WASHER	1	1						
9	1	22272-000240	CIRCLIP E-24	1	1						
10	1	194145-37661-X	LEVER, BRAKE LOCK	1	1						
11	1	26013-100602	BOLT M10X 60	1	1						
12	1	194110-37691	SPRING, RETURN	1	1						
13	1	194145-37771	ROD, BRAKE	2	2						
14	1	22417-200300	COTTER PIN 2.0X30	4	4						
15	1	194151-37730	TURNBUCKLE M10X90	2	2						
16	1	26716-100002	NUT M10	2	2						
17	1	194130-37740	ROD, BRAKE	2	2						
18	1	194080-37781	PIN 8X25	4	4						
19	1	194150-22480	NUT M10	2	2						
20	1	194270-37420-X	PEDAL (L) ASSY	1	1						
22	2	194150-37530	SPACER	1	1						W
23	2	194145-37540-R	CONNECTOR	1	1						W
24	2	22351-080018	SPRING PIN 8X18	1	1						W
25	1	194275-37670	COLLAR	1	1						
26	1	22157-100000	WASHER 10	1	1						



Fig.57. HYD. LIFT (POSITION CONTROL)

Fig. 57 HYDRAULIC LIFT (POSITION CONTROL)



\*-MARK PARTS: NOT SOLD SEPARATELY.

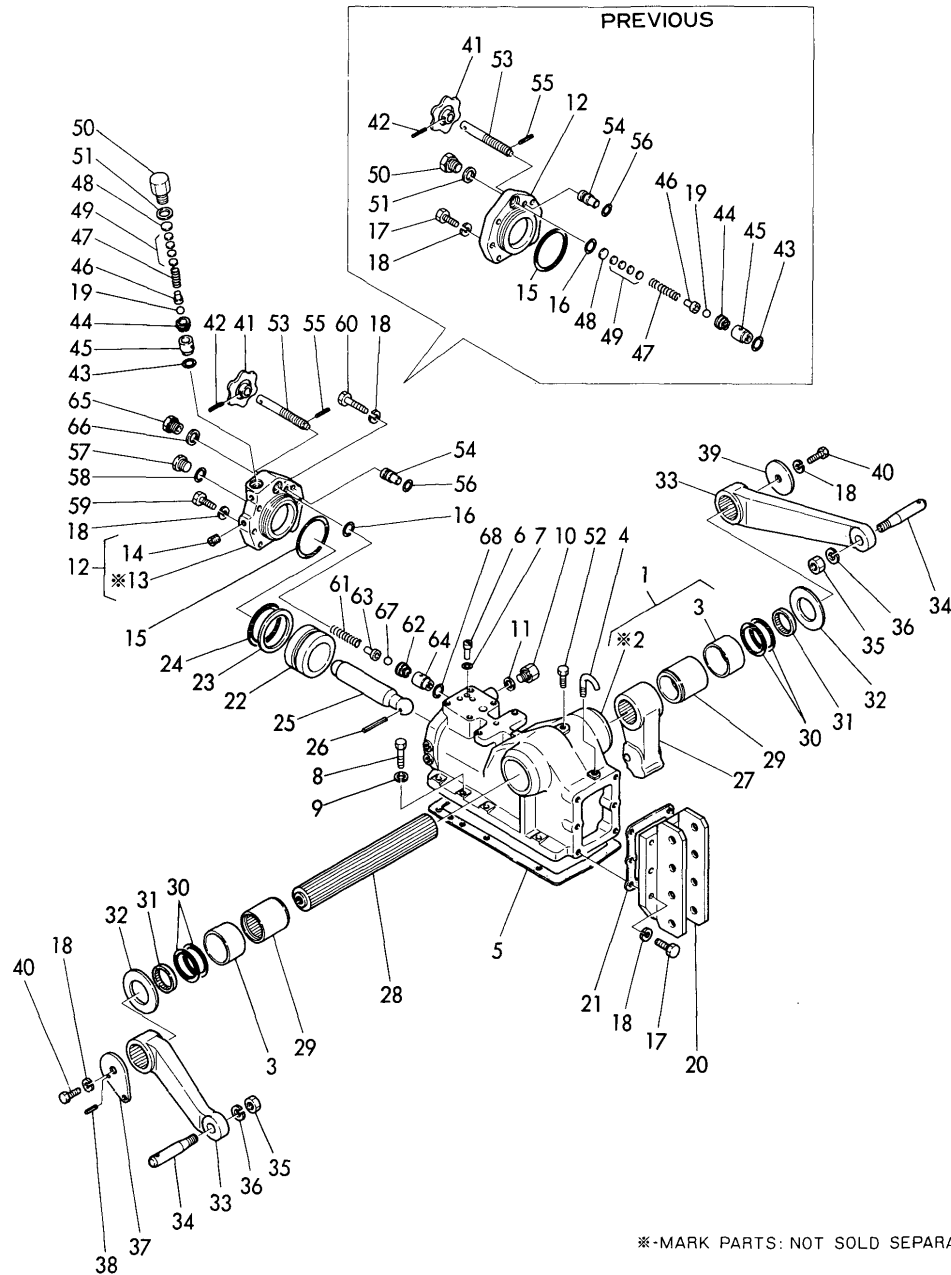
(A)=YM330  
(B)=YM330D  
(C)=

(D)=  
(E)=  
(F)=

REF.	LEV.	PARTS NO.	DESCRIPTION	Q'TY						I	R
				(A)	(B)	(C)	(D)	(E)	(F)		
1	1	194275-42100-X	HOUSING, HYDRAULIC	1	1						
3	2	194130-42130	BUSH 60X65X40	2	2						
4	1	194145-42280	PIPE, BREATHER	1	1						
5	1	194145-42150	GASKET, HOUSING	1	1						
5-1	1	194145-42151	GASKET, HOUSING	1	1						R
		(A=*) (B=*)									
5-2	1	194145-42152	GASKET, HOUSING	1	1						R
		(A=*1981.09) (B=*1981.09)									
6	1	194130-46460	PLUG 20	1	1						
7	1	24311-000050	O-RING 1A P-5.0	1	1						
8	1	26116-100352	BOLT M10X 35 PLATED	8	8						
9	1	22217-100000	SPRING WASHER 10	8	8						
10	1	194130-46750	PLUG	1	1						
10-1	1	194450-46750	PLUG M18	1	1						R
		(A=*1980.09) (B=*1980.09)									
11	1	23414-180023	GASKET 18	1	1						
12	1	194145-43210-X	HEAD ASSY, CYLINDER	1	1						
12-1	1	194275-43200-X	HEAD ASSY, CYLINDER	1	1						S
		(A=T/# 00219) (B=T/# 00417)									
14	2	23873-010000	PLUG PT 1/8	3	3						
15	1	24321-000750	O-RING 1A G-75.0	1	1						
16	1	24311-000220	O-RING 1A P-22.0	1	1						
17	1	194130-43290	BOLT 12X40 PLATED	12	12						
17-1	1	194130-43290	BOLT 12X40 PLATED	9	9						K
		(A=T/# 00219) (B=T/# 00417)									
18	1	22217-120000	WASHER 12, SPRING	14	14						
19	1	24190-100001	BALL 5/16, STEEL	1	1						
20	1	194275-42810-X	HINGE, TOP LINK	1	1						
21	1	194145-42830	GASKET, HINGE	1	1						
22	1	194145-43310	PISTON, HYDRAULIC	1	1						
23	1	194130-43351	RING P70, BACK UP	1	1						
24	1	24311-000700	O-RING 1A P-70.0	1	1						
25	1	194130-43410	ROD, PISTON	1	1						
26	1	22351-050055	SPRING PIN 5X55	1	1						
26-1	1	22351-050056	SPRING PIN 5X56	1	1						R
		(A=*) (B=*)									
27	1	194145-44111	CRANK, LIFT	1	1						
27-1	1	194145-44112	CRANK, LIFT	1	1						R
		(A=*) (B=*)									
28	1	194145-44210	SHAFT, LIFT	1	1						
29	1	194130-44220	SLEEVE, LIFT SHAFT	2	2						
30	1	24321-000600	O-RING 1A G-60.0	4	4						
31	1	194130-44241	SEAL, SPLINE SHAFT	2	2						
32	1	194130-44230	WASHER 50X80X3.2	2	2						
33	1	194130-44421	ARM, LIFT	2	2						
33-1	1	194130-44422	ARM, LIFT	2	2						R
		(A=*1981.08) (B=*1981.08)									
34	1	194130-44480	PIN, LIFT ARM	2	2						
35	1	26736-160002	NUT M16	2	2						
36	1	22217-160000	SPRING WASHER 16	2	2						
37	1	194145-44510		1	1						

Fig.57. HYD. LIFT (POSITION CONTROL)

Fig. **57** HYDRAULIC LIFT (POSITION CONTROL)



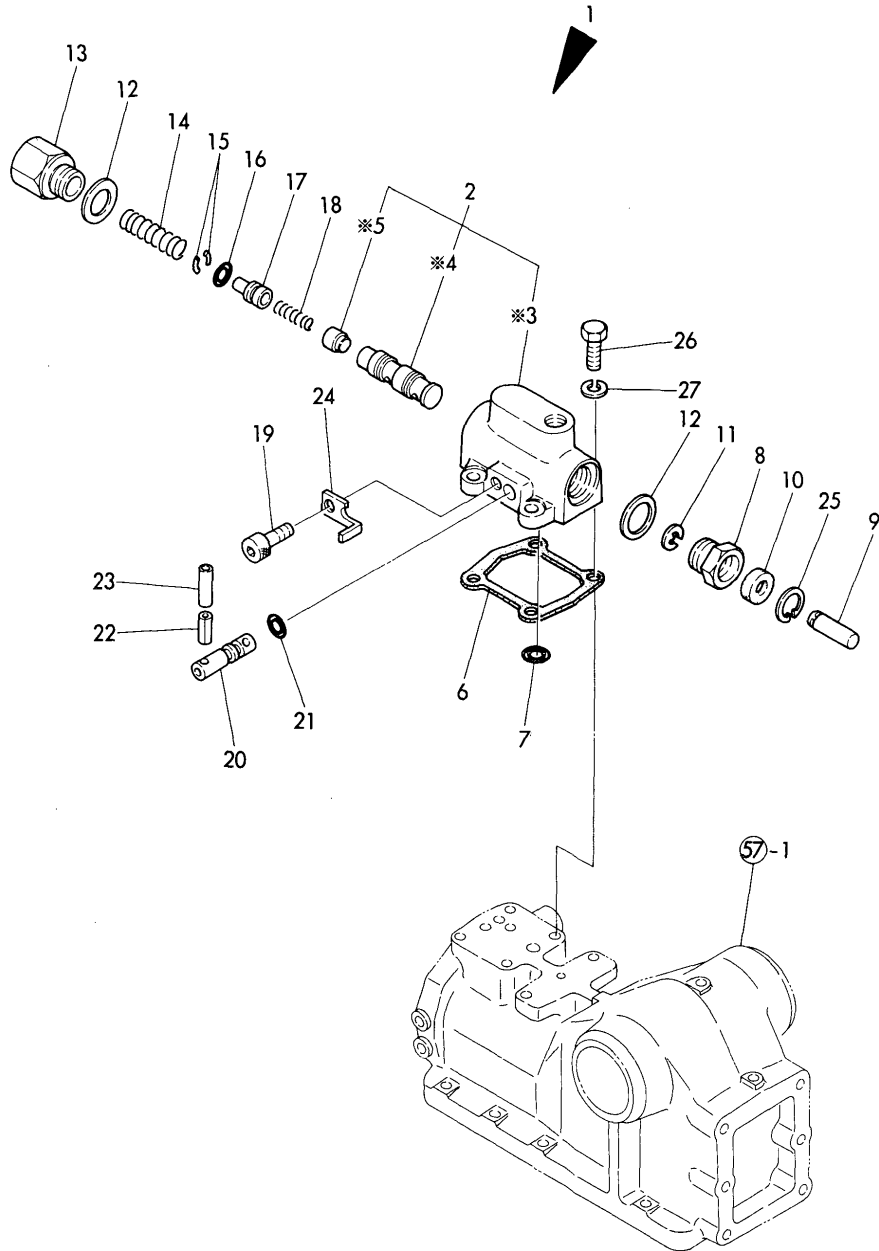
\*-MARK PARTS: NOT SOLD SEPARATELY.

(A)=YM330  
(B)=YM330D  
(C)=

(D)=  
(E)=  
(F)=

REF.	LEV.	PARTS NO.	DESCRIPTION	Q'TY						I	R
				(A)	(B)	(C)	(D)	(E)	(F)		
38-1	1	22351-040014	SPRING PIN 4X14	1	1						
39	1	194145-44520	WASHER	1	1						
40	1	26116-120252	BOLT M12X 25 PLATED	2	2						
41	1	194151-46640-X	KNOB	1	1						
42	1	22351-040022	SPRING PIN 4X22	1	1						
43	1	24311-000120	O-RING 1A P 12.0	1	1						
44	1	194150-45340	SCREW, VALVE SEAT	1	1						
44-1	1	194275-45340	SCREW, VALVE SEAT	1	1						S
		(A=T/# 00219) (B=T/# 00417)									
45	1	194145-46260	SEAT, RELIEF VALVE	1	1						
46	1	194150-45360	HOLDER	1	1						
46-1	1	194150-45361	HOLDER, RELIEF VALVE	1	1						S
		(A=T/# 00219) (B=T/# 00417)									
47	1	194145-45320	SPRING, RELIEF VALVE	1	1						
48	1	194130-45560	SPACER (B)	1	1						
49	1	110250-53150	SHIM SET	1	1						
50	1	194145-45370	PLUG, RELIEF VALVE	1	1						
51	1	23414-200026	GASKET 20	1	1						
52	1	194145-42290	HOOK	1	1						
53	1	194145-46420	BOLT, STOP	1	1						
53-1	1	194275-46310	BOLT, STOP	1	1						S
		(A=T/# 00219) (B=T/# 00417)									
54	1	194145-46411	VALVE, STOP	1	1						
55	1	22351-040012	SPRING PIN 4X12	1	1						
56	1	24311-000090	O-RING 1A P-9.0	1	1						
57	1	194464-45920	PLUG 3/4-16UNF	2	2						W
		(A=T/# 00219) (B=T/# 00417)									
58	1	194464-45930	O-RING 8-1	2	2						W
		(A=T/# 00219) (B=T/# 00417)									
59	1	26126-120552	BOLT M12X 55 PLATED	1	1						W
		(A=T/# 00219) (B=T/# 00417)									
60	1	26126-120752	BOLT M12X 75 PLATED	2	2						W
		(A=T/# 00219) (B=T/# 00417)									
61	1	194145-45320	SPRING, RELIEF VALVE	1	1						W
		(A=T/# 00219) (B=T/# 00417)									
62	1	194275-45340	SCREW, VALVE SEAT	1	1						W
		(A=T/# 00219) (B=T/# 00417)									
63	1	194150-45361	HOLDER, RELIEF VALVE	1	1						W
		(A=T/# 00219) (B=T/# 00417)									
64	1	194275-46410	SEAT, SAFETY VALVE	1	1						W
		(A=T/# 00219) (B=T/# 00417)									
65	1	194275-46460	PLUG, SAFETY VALVE	1	1						W
		(A=T/# 00219) (B=T/# 00417)									
66	1	23414-200026	GASKET 20	1	1						W
		(A=T/# 00219) (B=T/# 00417)									
67	1	24190-100003	BALL 5/16	1	1						W
		(A=T/# 00219) (B=T/# 00417)									
68	1	24311-000120	O-RING 1A P 12.0	2	2						W
		(A=T/# 00219) (B=T/# 00417)									

Fig. 58 HYDRAULIC CONTROL VALVE (POSITION CONTROL)



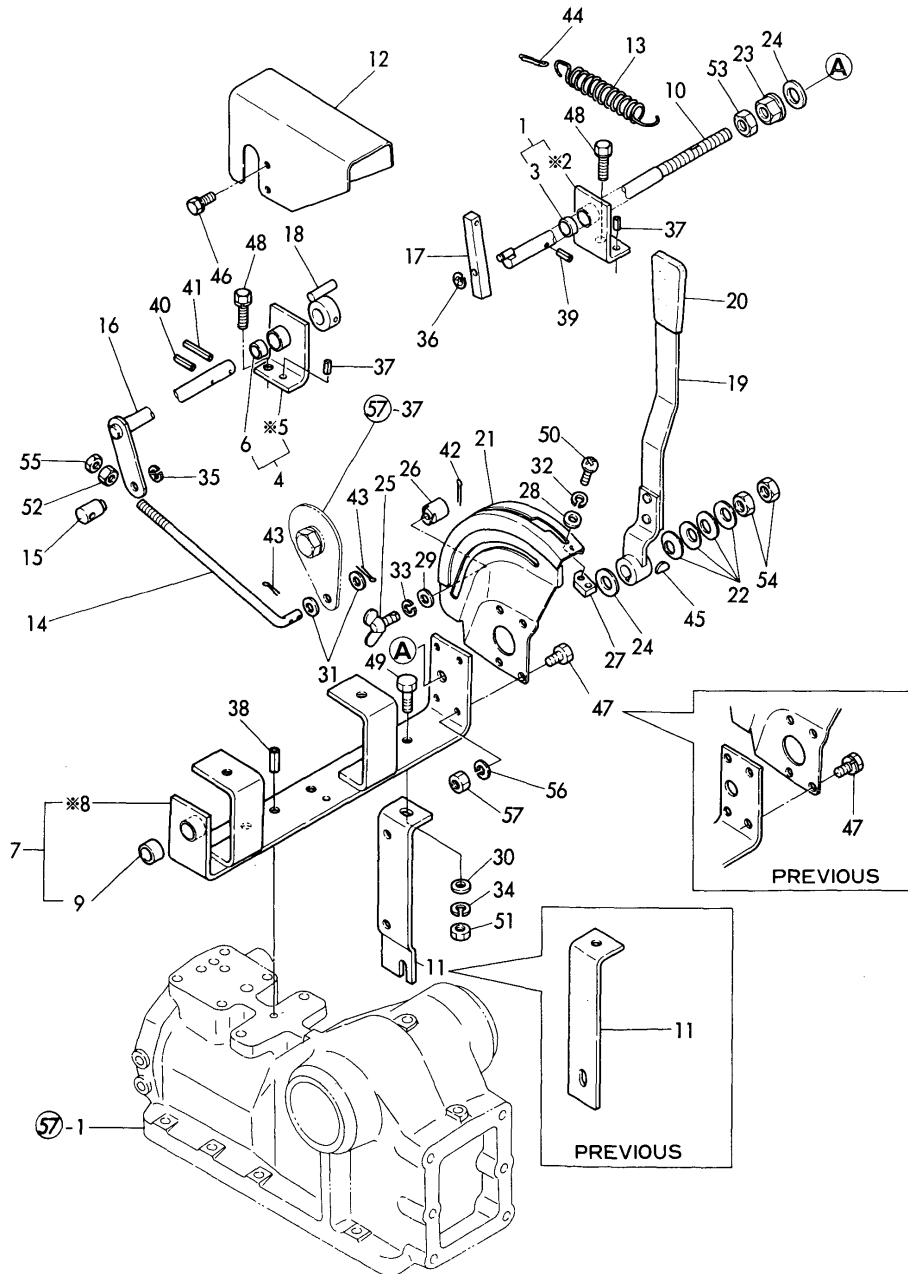
(A)=YM330  
(B)=YM330D  
(C)=

(D)=  
(E)=  
(F)=

REF.	LEV.	PARTS NO.	DESCRIPTION	Q'TY						I	R
				(A)	(B)	(C)	(D)	(E)	(F)		
1	1	794151-45102-X	VALVE ASSY, CONTROL	1	1						
2	2	794151-45113-X	BODY, CONTROL VALVE	1	1						
6	2	194151-45841	GASKET,CONTROL VALVE	1	1						
7	2	24315-000140	O-RING 1B P-14.0	1	1						
8	2	194151-45150	HOLDER	1	1						
8-1	2	194151-45151	HOLDER	1	1						S 1
(A=T/# 00219) (B=T/# 00417)											
9	2	194151-45552	ROD, PUSH	1	1						
10	2	194151-45810	SEAL TC4 10207,OIL	1	1						
11	2	22272-000070	CIRCLIP E- 7	1	1						
12	2	23414-240031	GASKET 24	2	2						
13	2	194151-45161	HOLDER	1	1						
14	2	194151-45881	SPRING (B)	1	1						
15	2	194151-45821	CIRCLIP	2	2						
16	2	24315-000090	O-RING 1B P- 9.0	1	1						
17	2	194151-45434	HOLDER	1	1						
18	2	194151-45872	SPRING (A)	1	1						
19	2	26450-080142	BOLT M 8X 14	1	1						
20	2	194151-45713	VALVE, SLOW RETURN	1	1						
21	2	24315-000070	O-RING 1B P-7.0	1	1						
22	2	22351-040040	SPRING PIN 4X40	1	1						
23	2	23062-040030	PIPE 4X 30	1	1						
24	2	194151-45721-X	RETAINER	1	1						
25	2	22252-000200	CIRCLIP 20	1	1						
(A=T/# 00219) (B=T/# 00417)											
26	1	26116-080252	BOLT M 8X 25 PLATED	4	4						
27	1	22217-080000	SPRING WASHER 8	4	4						

Fig.59. HYD.CONTROL LEVER(POSIT.CONTR.

Fig. 59 HYDRAULIC CONTROL LEVER (POSITION CONTROL)



(A)=YM330  
(B)=YM330D  
(C)=

(D)=  
(E)=  
(F)=

REF.	LEV.	PARTS NO.	DESCRIPTION	Q'TY						I R
				(A)	(B)	(C)	(D)	(E)	(F)	
1	1	194145-47130-X	HINGE, CONTROL SHAFT	1	1					
3	2	194145-47160	BUSH 13X15X15	1	1					
4	1	194145-47200-X	HINGE, SHAFT	1	1					
6	2	194145-47160	BUSH 13X15X15	1	1					
7	1	194145-47100-X	BRACKET ASSY,CONTROL	1	1					
9	2	194145-47160	BUSH 13X15X15	1	1					
10	1	194145-47122	SHAFT, CONTROL LEVER	1	1					
11	1	194130-47180-X	STAY, BRACKET	1	1					
11-1	1	194275-47180	STAY, BRACKET	1	1					S 1
		(A=*) (B=*)								
12	1	194145-47192-X	COVER, LINK	1	1					Z
		(A=T/# 00219) (B=T/# 00417)								
13	1	194145-47441	SPRING, RETURN	1	1					
14	1	194145-47511	ROD, FEED BACK	1	1					
15	1	194151-47521	ADJUSTER	1	1					
16	1	194145-47531-X	SHAFT, FEED BACK	1	1					
17	1	194151-47540-X	LEVER, FEED BACK	1	1					
18	1	194145-47550-X	LEVER, FEED BACK	1	1					
19	1	194145-47612	LEVER, CONTROL	1	1					
20	1	194150-47621-X	KNOB, CONTROL LEVER	1	1					
21	1	194145-47711-X	GUIDE, CONTROL LEVER	1	1					
22	1	194151-47760	WASHER 12	4	4					
23	1	194151-47770	NUT M12	1	1					
24	1	194310-47790	PLATE, FRICTION	2	2					
25	1	194310-47850	WING BOLT	1	1					
26	1	194310-47860	STOPPER	1	1					
27	1	194310-47870	STOPPER	1	1					
28	1	22137-050000	WASHER 5, POLISHED	2	2					
29	1	22137-060000	WASHER 6, POLISHED	1	1					
30	1	22137-080000	WASHER 8, POLISHED	1	1					
31	1	22137-080000	WASHER 8, POLISHED	2	2					
32	1	22217-050000	SPRING WASHER 5	2	2					
33	1	22217-060000	SPRING WASHER 6	1	1					
34	1	22217-080000	SPRING WASHER 8	1	1					
35	1	22272-000060	CIRCLIP E- 6	1	1					
36	1	22272-000060	CIRCLIP E- 6	1	1					
37	1	22351-040010	SPRING PIN 4X10	2	2					
38	1	22351-040014	SPRING PIN 4X14	1	1					
39	1	22351-040018	SPRING PIN 4X18	1	1					Z
		(A=T/# 00219) (B=T/# 00417)								
40	1	22351-040018	SPRING PIN 4X18	1	1					
41	1	22351-040028	SPRING PIN 4X28	1	1					
42	1	22417-200150	COTTER PIN 2.0X15	1	1					
43	1	22417-200150	COTTER PIN 2.0X15	2	2					
44	1	22417-400300	COTTER PIN 4.0X30	1	1					
45	1	22522-030130	WOODRUFF KEY 3X13	1	1					
46	1	26013-060102	BOLT M 6X 10	4	4					Z
		(A=T/# 00219) (B=T/# 00417)								
47	1	26013-060122	BOLT M 6X 12	4	4					
47-1	1	26116-060162	BOLT M 6X 16 PLATED	4	4					F 2
		(A=*) (B=*)								

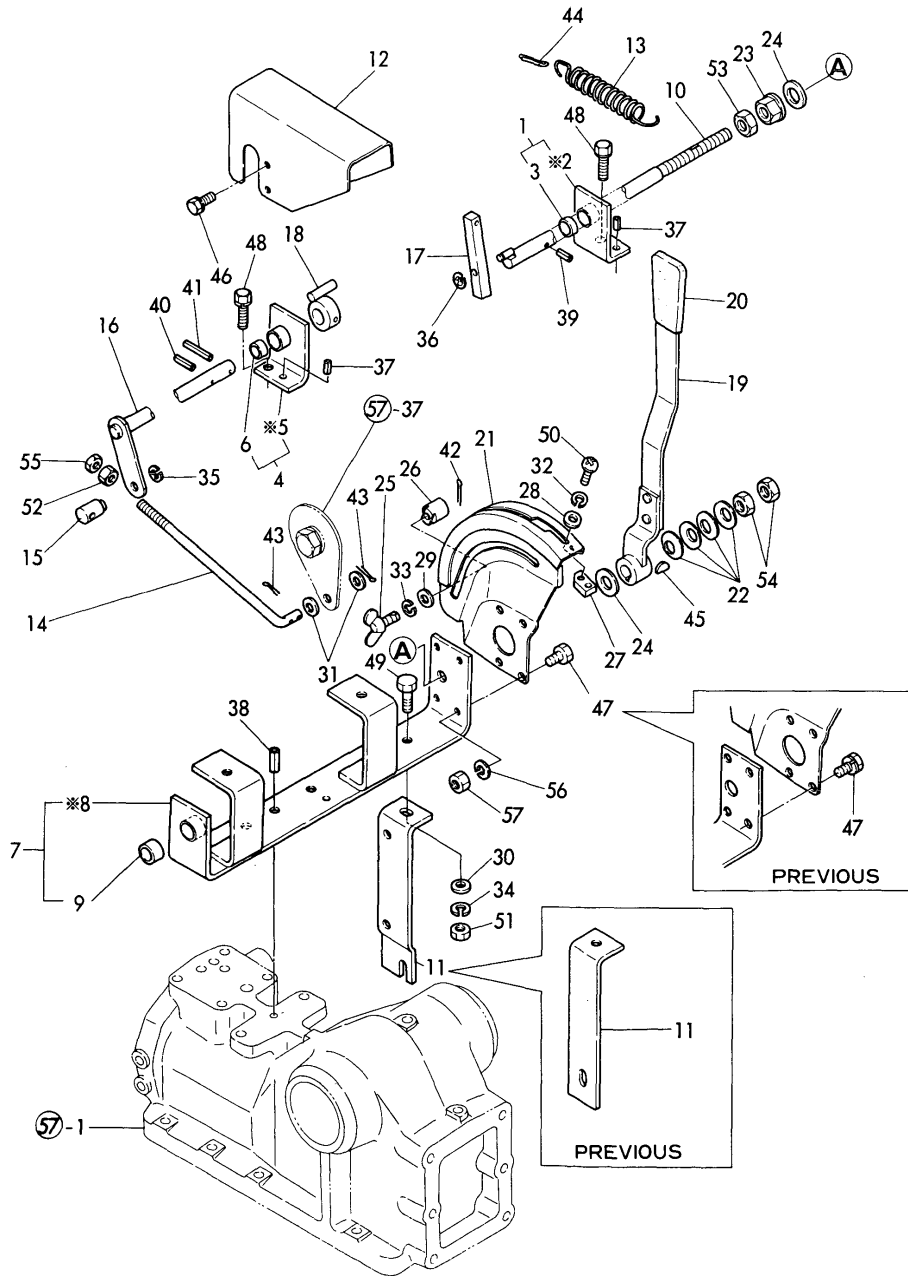
N:Old ↔ New, Q:Old ↔ New, R:Old ↔ New, S:Old ↔ New, W:Add, Z:Discontinued, F:Set Change, K:Q'ty Change  
++ CONTINUE ++ (C)Copy Rights YANMAR CO.,LTD and YANMAR AGRICULTURAL EQUIPMENT CO.,LTD.

Fig.59. HYD.CONTROL LEVER(POSIT.CONTR.

(A)=YM330  
(B)=YM330D  
(C)=

(D)=  
(E)=  
(F)=

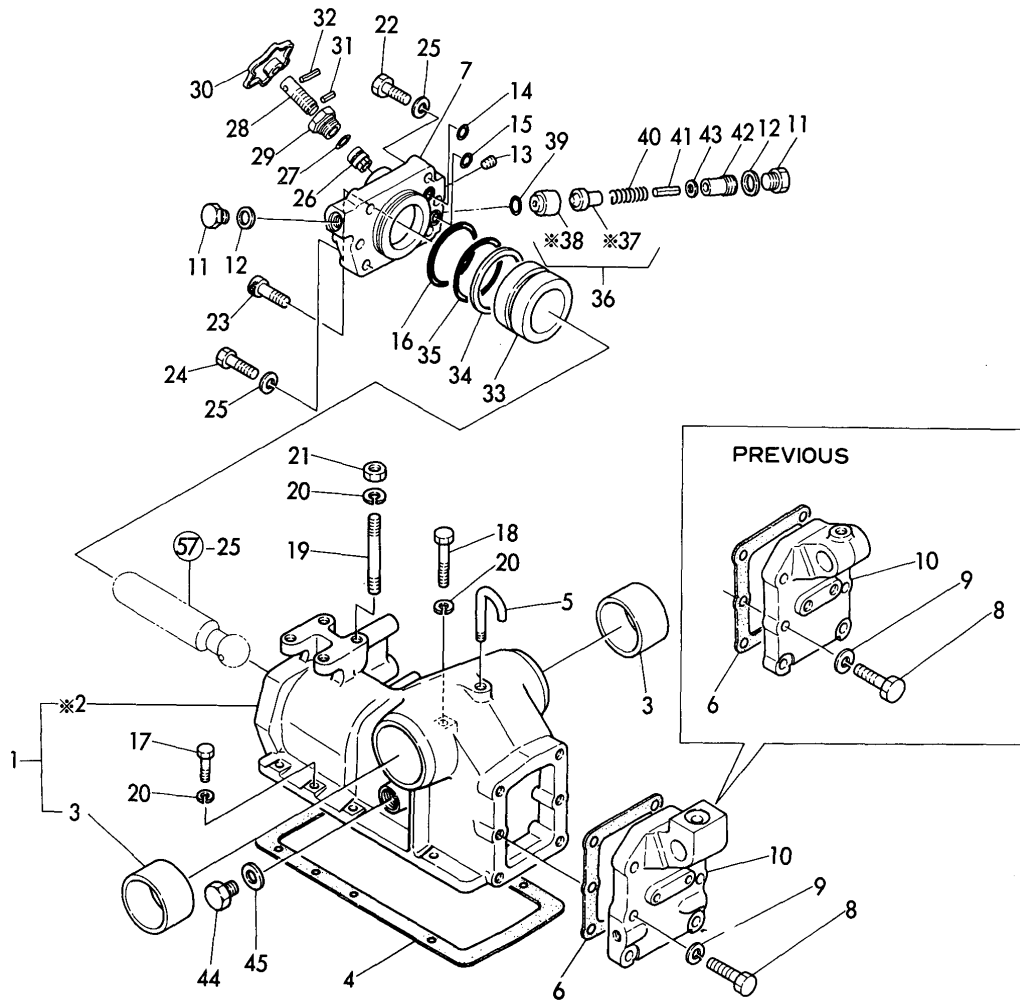
Fig. 59 HYDRAULIC CONTROL LEVER (POSITION CONTROL)



REF.	LEV.	PARTS NO.	DESCRIPTION	Q'TY						I	R
				(A)	(B)	(C)	(D)	(E)	(F)		
48	1	26013-080252	BOLT M 8X 25	2	2						
49	1	26116-080222	BOLT M 8X 22 PLATED	1	1						
50	1	26587-050102	SCREW M 5X 10	2	2						
51	1	26716-080002	NUT M 8	1	1						
52	1	26716-080002	NUT M 8	2	2						
53	1	26716-120002	NUT M12	1	1						
54	1	26756-120002	LOCK NUT M12 PLATED	2	2						
55	1	26756-080002	LOCK NUT M 8 PLATED	1	1						
56	1	22217-060000	SPRING WASHER 6	4	4						W 2
		(A=*)	(B=*)								
57	1	26716-060002	NUT M 6	4	4						W 2
		(A=*)	(B=*)								

Fig.60. HYD.CYL.(DRAFT CONTROL)(USA)

Fig.60 HYDRAULIC CYLINDER (DRAFT CONTROL) (1)



(A)=YM330  
(B)=YM330D  
(C)=

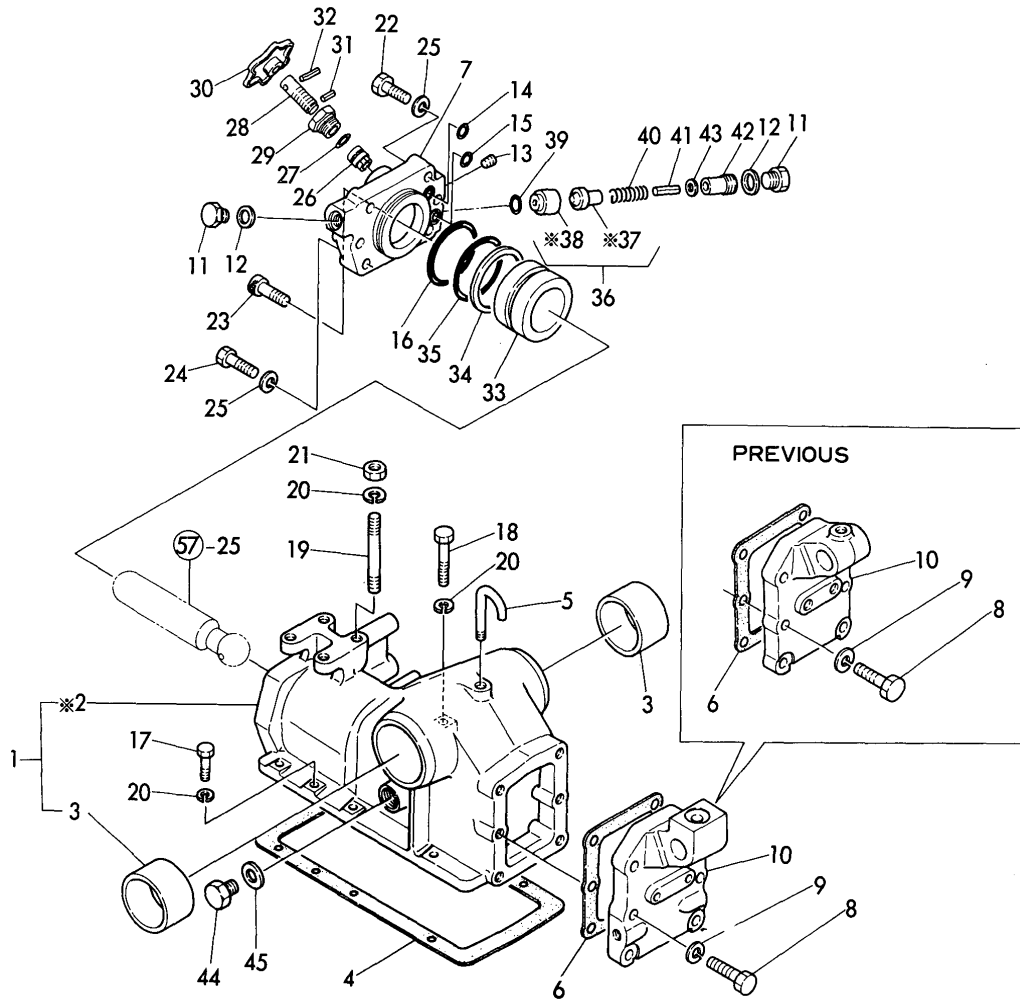
(D)=  
(E)=  
(F)=

REF.	LEV.	PARTS NO.	DESCRIPTION	Q'TY						I	R
				(A)	(B)	(C)	(D)	(E)	(F)		
1	1	194273-42100-X	HOUSING, HYDRAULIC	1	1						
3	2	194130-42130	BUSH 60X65X40	2	2						
4	1	194145-42150	GASKET, HOUSING	1	1						
4-1	1	194145-42151	GASKET, HOUSING	1	1						R
		(A=*) (B=*)									
4-2	1	194145-42152	GASKET, HOUSING	1	1						R
		(A=*1981.09) (B=*1981.09)									
5	1	194150-42280	BREATHER, AIR	1	1						
6	1	194145-42830	GASKET, HINGE	1	1						
7	1	194320-43210-X	HEAD, CYLINDER	1	1						
8	1	194130-43290	BOLT 12X40 PLATED	4	4						
8-1	1	26116-120402	BOLT M12X 40	4	4						N
		(A=*1982.02) (B=*1982.02)									
9	1	22217-120000	WASHER 12,SPRING	4	4						
10	1	194320-44740-X	COVER, REAR	1	1						
11	1	194450-46750	PLUG M18	2	2						
12	1	23414-180023	GASKET 18	2	2						
13	1	23873-010000	PLUG PT 1/8	1	1						
13-1	1	23871-010000	PLUG PT1/8,SCREW	1	1						R
		(A=*) (B=*)									
14	1	24311-000140	O-RING 1A P-14.0	1	1						
15	1	24311-000160	O-RING 1A P-16.0	1	1						
16	1	24321-000750	O-RING 1A G-75.0	1	1						
17	1	26116-100352	BOLT M10X 35 PLATED	5	5						
18	1	26116-100722	BOLT M10X 72 PLATED	1	1						
19	1	26216-101002	STUD M10X100 PLATED	1	1						
20	1	22217-100000	SPRING WASHER 10	7	7						
21	1	26716-100002	NUT M10	1	1						
22	1	26116-120482	BOLT M12X 48 PLATED	4	4						
22-1	1	26116-120502	BOLT M12X 50	4	4						N
		(A=*) (B=*)									
23	1	26450-120402	BOLT M12X 40	1	1						
24	1	26116-120402	BOLT M12X 40	1	1						
25	1	22217-120000	WASHER 12,SPRING	5	5						
26	1	194151-46610	VALVE, STOP	1	1						
27	1	24311-000090	O-RING 1A P-9.0	1	1						
28	1	194310-46620	BOLT, STOP	1	1						
29	1	194310-46630	HOLDER, VALVE	1	1						
30	1	194151-46640-X	KNOB	1	1						
31	1	22351-040012	SPRING PIN 4X12	1	1						
32	1	22351-040022	SPRING PIN 4X22	1	1						
33	1	194145-43310	PISTON, HYDRAULIC	1	1						
34	1	194130-43351	RING P70, BACK UP	1	1						
35	1	24311-000700	O-RING 1A P-70.0	1	1						
36	1	794450-46410	VALVE ASSY, SAFETY	1	1						
39	1	24311-000120	O-RING 1A P 12.0	1	1						
40	1	194450-46430	SPRING, SAFETY VALVE	1	1						
41	1	22351-060028	SPRING PIN 6X28	1	1						
42	1	194310-46460	HOLDER, SPRING	1	1						
43	1	110250-53150	SHIM SET	1	1						
44	1	194450-46750	PLUG M18	1	1						

N:Old ↔ New, Q:Old ↔ New, R:Old ↔ New, S:Old ↔ New, W:Add, Z:Discontinued, F:Set Change, K:Q'ty Change  
 ++ CONTINUE ++ (C)Copy Rights YANMAR CO.,LTD and YANMAR AGRICULTURAL EQUIPMENT CO.,LTD.

Fig.60. HYD.CYL.(DRAFT CONTROL)(USA)

Fig. **60** HYDRAULIC CYLINDER (DRAFT CONTROL) (1)



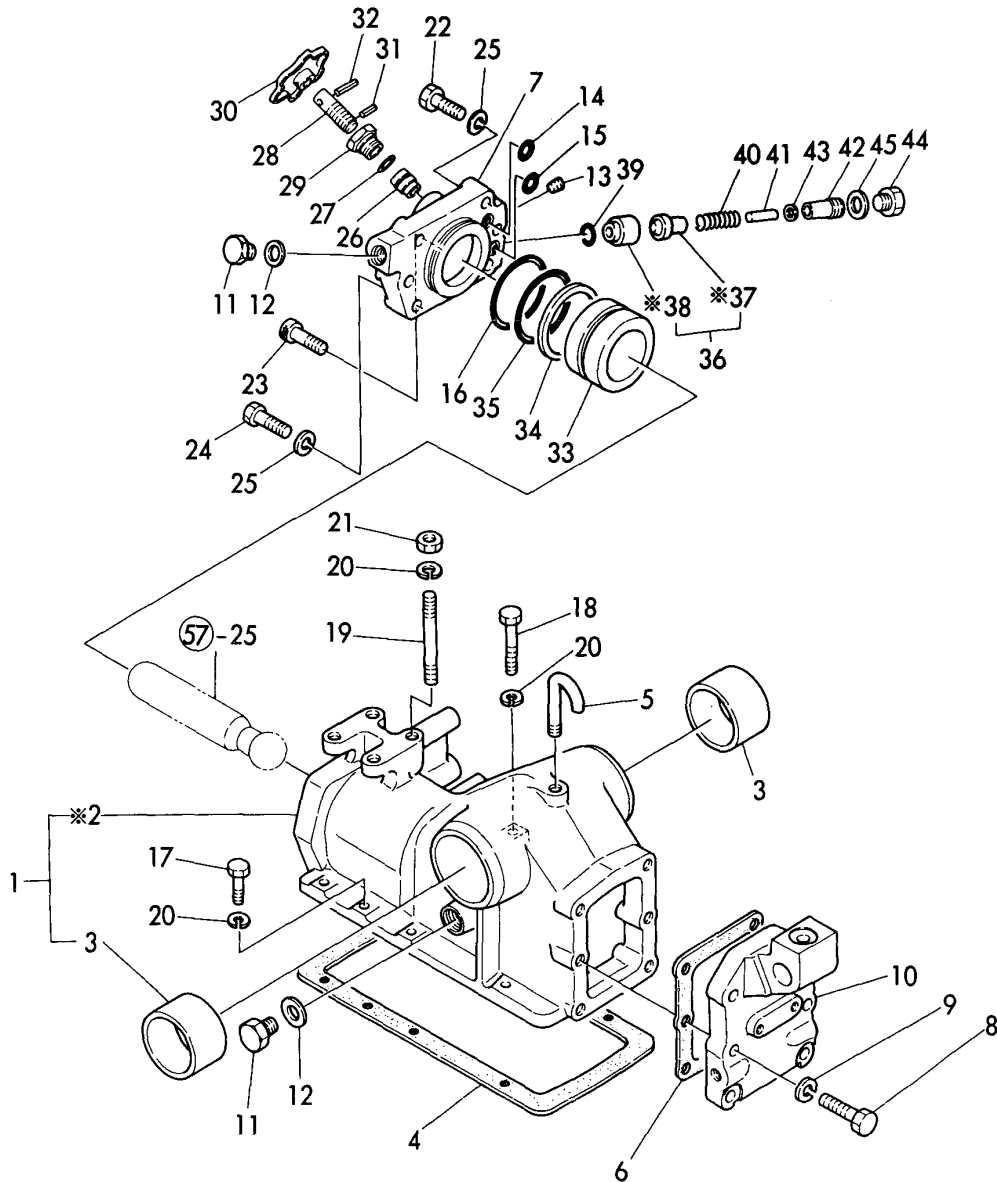
(A)=YM330  
(B)=YM330D  
(C)=

(D)=  
(E)=  
(F)=

REF.	LEV.	PARTS NO.	DESCRIPTION	Q'TY						I	R
				(A)	(B)	(C)	(D)	(E)	(F)		
45	1	23414-180023	GASKET 18	1	1						

Fig.61. HYD.CYL.(DRAFT CONTROL)(PG.)

Fig.61 HYDRAULIC CYLINDER (DRAFT CONTROL) (2)



(A)=YM330  
(B)=YM330D  
(C)=

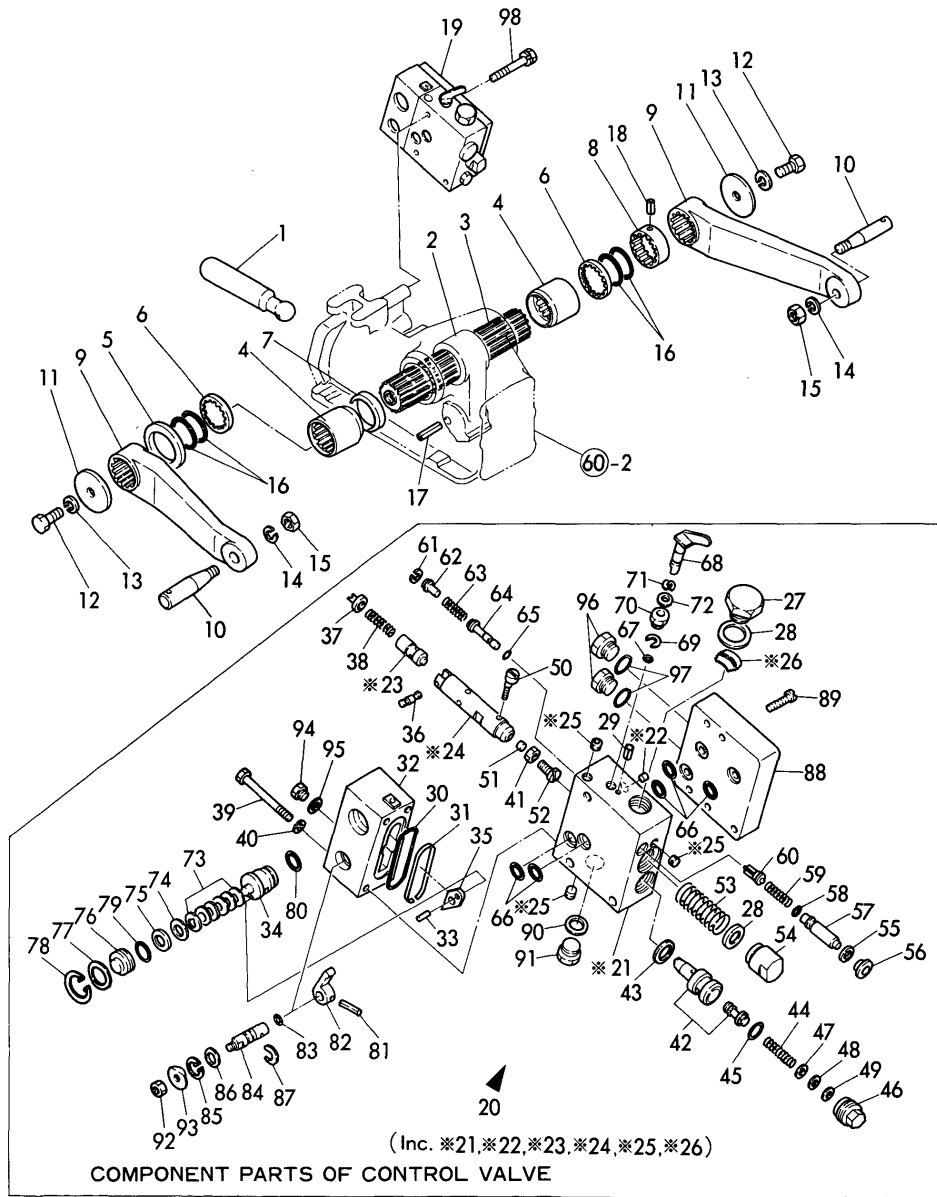
(D)=  
(E)=  
(F)=

REF.	LEV.	PARTS NO.	DESCRIPTION	Q'TY						I	R
				(A)	(B)	(C)	(D)	(E)	(F)		
1	1	194273-42100-X	HOUSING, HYDRAULIC	1	1						
3	2	194130-42130	BUSH 60X65X40	2	2						
4	1	194145-42151	GASKET, HOUSING	1	1						
5	1	194150-42280	BREATHER, AIR	1	1						
6	1	194145-42830	GASKET, HINGE	1	1						
7	1	194320-43210-X	HEAD, CYLINDER	1	1						
8	1	194130-43290	BOLT 12X40 PLATED	4	4						
9	1	22217-120000	WASHER 12,SPRING	4	4						
10	1	194322-44740-X	COVER, REAR	1	1						
11	1	194450-46750	PLUG M18	2	2						
12	1	23414-180023	GASKET 18	2	2						
13	1	23873-010000	PLUG PT 1/8	1	1						
14	1	24311-000140	O-RING 1A P-14.0	1	1						
15	1	24311-000160	O-RING 1A P-16.0	1	1						
16	1	24321-000750	O-RING 1A G-75.0	1	1						
17	1	26116-100352	BOLT M10X 35 PLATED	5	5						
18	1	26116-100722	BOLT M10X 72 PLATED	1	1						
19	1	26216-101002	STUD M10X100 PLATED	1	1						
20	1	22217-100000	SPRING WASHER 10	7	7						
21	1	26716-100002	NUT M10	1	1						
22	1	26116-120502	BOLT M12X 50	4	4						
23	1	26450-120402	BOLT M12X 40	1	1						
24	1	26116-120402	BOLT M12X 40	1	1						
25	1	22217-120000	WASHER 12,SPRING	5	5						
26	1	194151-46610	VALVE, STOP	1	1						
27	1	24311-000090	O-RING 1A P-9.0	1	1						
28	1	194310-46620	BOLT, STOP	1	1						
29	1	194310-46630	HOLDER, VALVE	1	1						
30	1	194151-46640-X	KNOB	1	1						
31	1	22351-040012	SPRING PIN 4X12	1	1						
32	1	22351-040022	SPRING PIN 4X22	1	1						
33	1	194145-43310	PISTON, HYDRAULIC	1	1						
34	1	194130-43351	RING P70, BACK UP	1	1						
35	1	24311-000700	O-RING 1A P-70.0	1	1						
36	1	794450-46410	VALVE ASSY, SAFETY	1	1						
39	1	24311-000120	O-RING 1A P 12.0	1	1						
40	1	194450-46430	SPRING, SAFETY VALVE	1	1						
41	1	22351-060028	SPRING PIN 6X28	1	1						
42	1	194310-46460	HOLDER, SPRING	1	1						
43	1	110250-53150	SHIM SET	1	1						
44	1	194450-46750	PLUG M18	1	1						
45	1	23414-180023	GASKET 18	1	1						



Fig.62. HYD.LIFT(DRAFT CONTR.)& CONT.V

Fig.62 HYDRAULIC LIFT (DRAFT CONTROL) & CONTROL VALVE



(A)=YM330  
(B)=YM330D  
(C)=

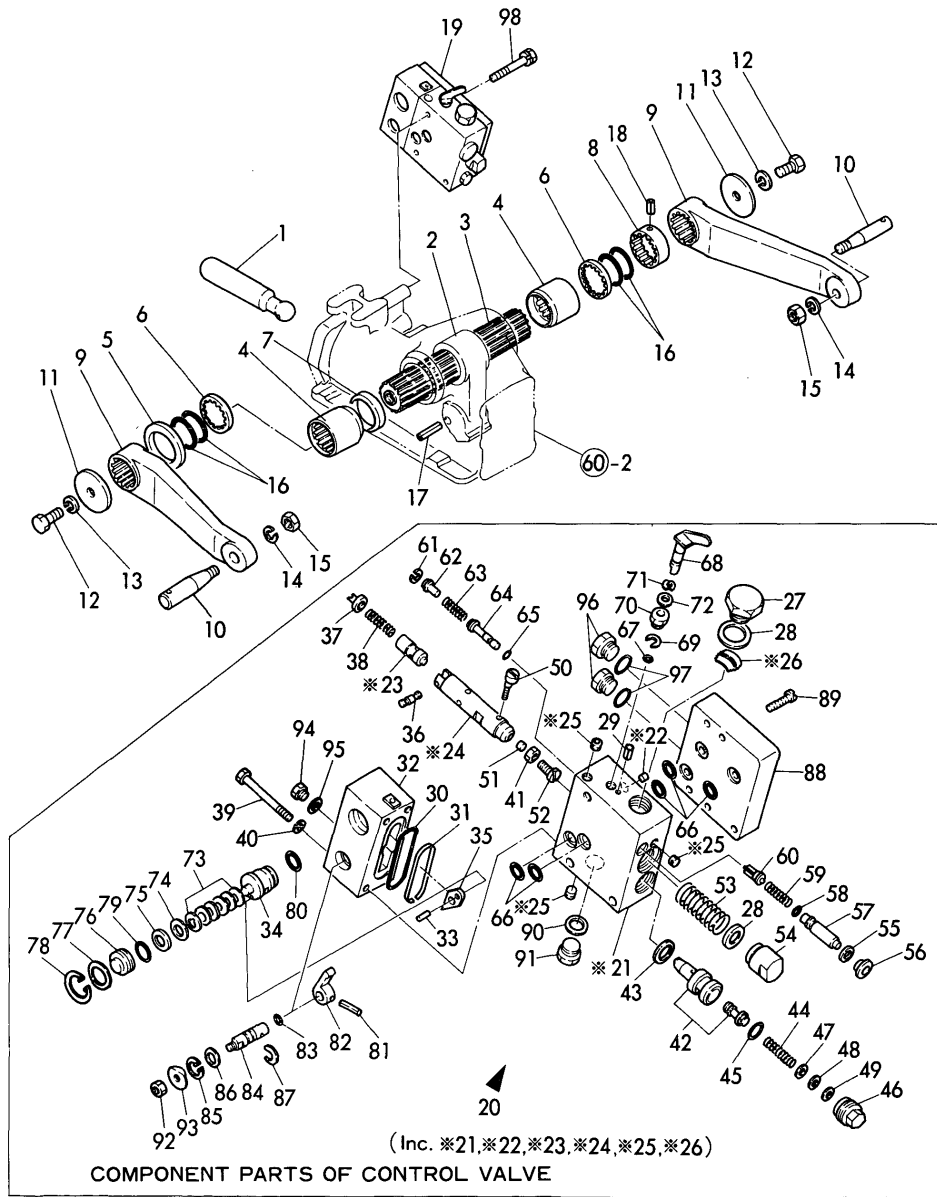
(D)=  
(E)=  
(F)=

REF.	LEV.	PARTS NO.	DESCRIPTION	Q'TY						I R
				(A)	(B)	(C)	(D)	(E)	(F)	
1	1	194130-43410	ROD, PISTON	1	1					
2	1	194145-44111	CRANK, LIFT	1	1					
2-1	1	194145-44112	CRANK, LIFT	1	1					R
2-2	1	194136-44110	CRANK, LIFT	1	1					N
		(A=*1986.10) (B=*1986.10)								
3	1	194145-44210	SHAFT, LIFT	1	1					
4	1	194320-44220	SLEEVE, LIFT SHAFT	2	2					
5	1	194130-44230	WASHER 50X80X3.2	1	1					
6	1	194130-44241	SEAL, SPLINE SHAFT	2	2					
7	1	194320-44260	COLLAR	1	1					
8	1	194320-44270	SPACER	1	1					
8-1	1	194320-44271	SPACER	1	1					N
		(A=*1984.08) (B=*1984.08)								
9	1	194130-44421-X	ARM (R), LIFT	2	2					
9-1	1	194130-44422-X	ARM (R), LIFT	2	2					R
		(A=*1981.01) (B=*1981.01)								
10	1	194130-44480	PIN, LIFT ARM	2	2					
11	1	194320-44520	RETAINER, LIFT SHAFT	2	2					
12	1	26116-120282	BOLT M12X 28 PLATED	2	2					
12-1	1	26013-120302	BOLT W/WASHER M12X30	2	2					N
		(A=*1984.08) (B=*1984.08)								
13	1	22217-120000	WASHER 12,SPRING	2	2					Z
		(A=*1981.01) (B=*1981.01)								
14	1	22217-160000	SPRING WASHER 16	2	2					
15	1	26736-160002	NUT M16	2	2					
16	1	24321-000600	O-RING 1A G-60.0	4	4					
17	1	22351-050055	SPRING PIN 5X55	1	1					
		(B=*1981.01)								
17-1	1	22351-050056	SPRING PIN 5X56	1	1					R
18	1	22351-060014	SPRING PIN 6X14	1	1					
19-1	1	194464-45100	VALVE ASSY, CONTROL	1	1					
20	2	794464-45110	HOUSING ASSY,CONTROL	1	1					
27-1	2	194464-45170	PLUG	1	1					
28	2	194450-45160	GASKET 30X36X2	2	2					
29	2	22351-030016	SPRING PIN 3X16	1	1					
30	2	24322-000700	O-RING 2 G-70.0	1	1					
31	2	194450-45590	SPRING, LEAF	1	1					
32-1	2	194464-45410	HOUSING, SELECTOR	1	1					
33	2	194450-45440	PIN	1	1					
34	2	194450-45420	SHAFT, CONTROL	1	1					
35	2	194450-45430	PLATE	1	1					
36	2	194450-45260	PIN	1	1					
37	2	194450-45250	SEAT, SPRING	1	1					
38	2	194450-45230	SPRING, SPOOL	1	1					
39	2	26116-080702	BOLT M 8X 70 PLATED	4	4					
40	2	22217-080000	SPRING WASHER 8	4	4					
41	2	26756-080002	LOCK NUT M 8 PLATED	1	1					
42	2	194450-45610	VALVE ASSY, RELIEF	1	1					
43	2	194450-45650	GASKET 20X27.8X2	1	1					
44	2	194450-45620	SPRING, RELIEF VALVE	1	1					

N:Old ↔ New, Q:Old ↔ New, R:Old ↔ New, S:Old ↔ New, W:Add, Z:Discontinued, F:Set Change, K:Q'ty Change  
++ CONTINUE ++ (C)Copy Rights YANMAR CO.,LTD and YANMAR AGRICULTURAL EQUIPMENT CO.,LTD.

Fig.62. HYD.LIFT(DRAFT CONTR.)& CONT.V

Fig.62 HYDRAULIC LIFT (DRAFT CONTROL) & CONTROL VALVE



(A)=YM330  
(B)=YM330D  
(C)=

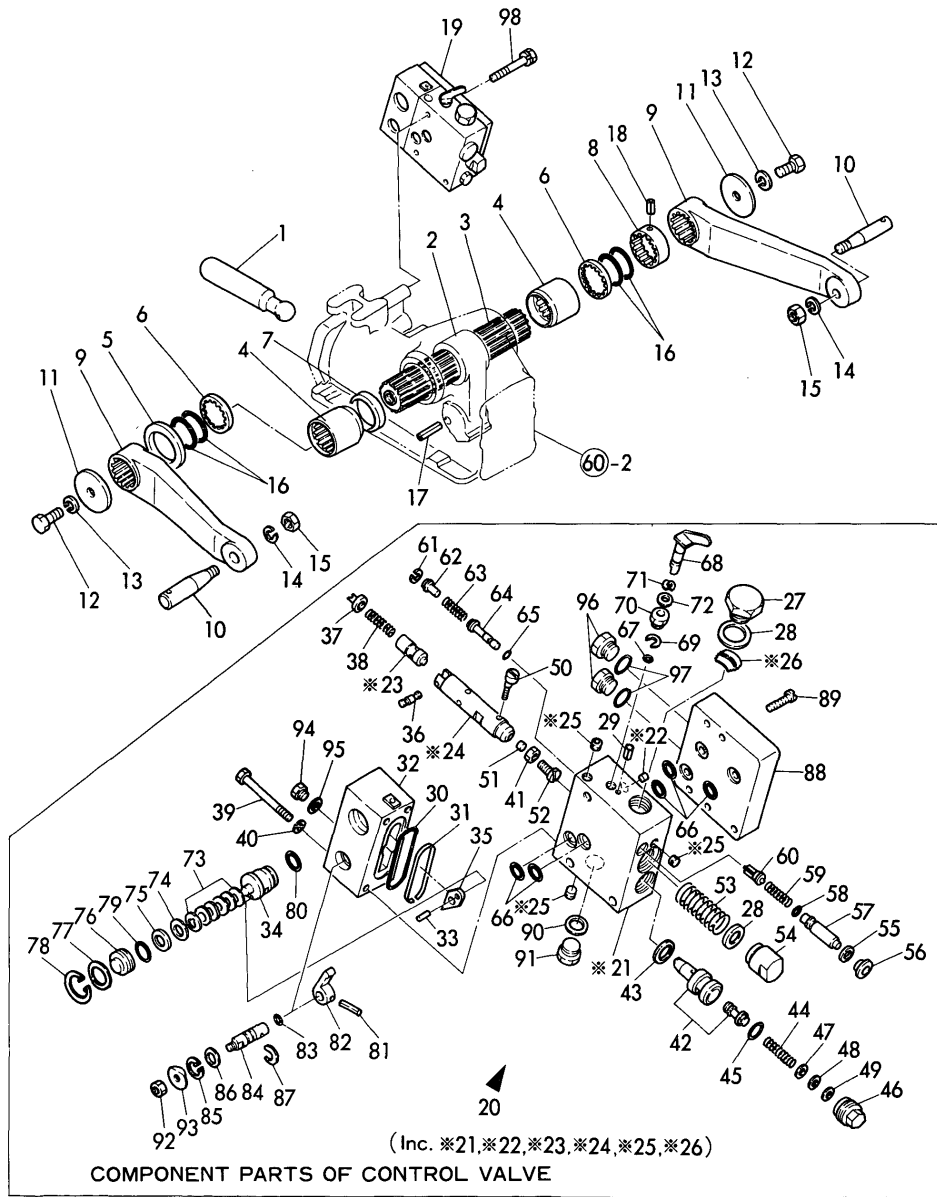
(D)=  
(E)=  
(F)=

REF.	LEV.	PARTS NO.	DESCRIPTION	Q'TY						I	R
				(A)	(B)	(C)	(D)	(E)	(F)		
45	2	194450-45630	O-RING 2.5X23	1	1						
46	2	194450-45640	PLUG, RELIEF VALVE	1	1						
47	2	194450-45660	SHIM (A)	2	2						2
48	2	194450-45670	SHIM (B)	2	2						2
49	2	194450-45680	SHIM (C)	2	2						2
50	2	194450-45310	PIN	1	1						
51	2	194450-45280	PLUG	1	1						
52	2	194450-45290	SCREW	1	1						
53	2	194450-45240	SPRING, PILOT SPOOL	1	1						
54	2	194450-45270	CAP	1	1						
55	2	194450-45860	GASKET 16X20X1.5	1	1						
56	2	194450-45850	PLUG, CHECK VALVE	1	1						
57	2	194450-45840	STOPPER, CHECK VALVE	1	1						
58	2	194450-45830	O-RING 2.5X8	1	1						
59	2	194450-45820	SPRING, CHECK VALVE	1	1						
60	2	194450-45810	VALVE, CHECK	1	1						
61	2	194450-45360	CIRCLIP	1	1						
62	2	194450-45330	STOPPER	1	1						
63	2	194450-45340	SPRING	1	1						
64	2	194450-45320	VALVE, LOWERING	1	1						
65	2	194450-45350	O-RING 1.5X5	1	1						
66	2	194450-45150	O-RING 2.8X16.4	6	6						
67	2	194450-45720	O-RING 2X5	1	1						
68	2	194450-45710	VALVE, SLOW RETURN	1	1						
69	2	194450-45730	CIRCLIP	1	1						
70	2	194450-45740	BUSH	1	1						
71	2	194450-45750	WASHER	1	1						
72	2	194450-45760	SHIM	1	1						
73	2	194450-45450	SPRING	6	6						3
74	2	194450-45510	SHIM (A)	2	2						2
75	2	194450-45520	SHIM (B)	2	2						2
76	2	194450-45460	CAP	1	1						
77	2	194450-45470	WASHER	1	1						
78	2	22252-000350	CIRCLIP 35	1	1						
79	2	194450-45480	O-RING 2.5X25	1	1						
80	2	194450-45490	O-RING 2X25	1	1						
81	2	22351-050032	SPRING PIN 5X32	1	1						
82	2	194450-45530	DRIVER	1	1						
83	2	194450-45570	O-RING 2.5X9	1	1						
84	2	194450-45540	SHAFT, DRIVER	1	1						
85	2	22252-000220	CIRCLIP 22	1	1						
86	2	194450-45550	WASHER	1	1						
87	2	194450-45560	CIRCLIP	1	1						
88-1	2	194464-45130	COVER	1	1						
89-1	2	194464-45180	SCREW M 6X30	2	2						
90	2	194450-45880	GASKET 18X22X1.5	1	1						
91	2	194450-45870	PLUG 18	1	1						
92	2	26756-080002	LOCK NUT M 8 PLATED	1	1						
93	2	194450-45580	WASHER	1	1						
94	2	194464-45940	PLUG	1	1						
95	2	194464-45950	GASKET 8X11.5X1	1	1						

N:Old ↔ New, Q:Old ↔ New, R:Old ↔ New, S:Old ↔ New, W:Add, Z:Discontinued, F:Set Change, K:Q'ty Change  
++ CONTINUE ++  
(C)Copy Rights YANMAR CO.,LTD and YANMAR AGRICULTURAL EQUIPMENT CO.,LTD.

Fig.62. HYD.LIFT(DRAFT CONTR.)& CONT.V

Fig.62 HYDRAULIC LIFT (DRAFT CONTROL) & CONTROL VALVE



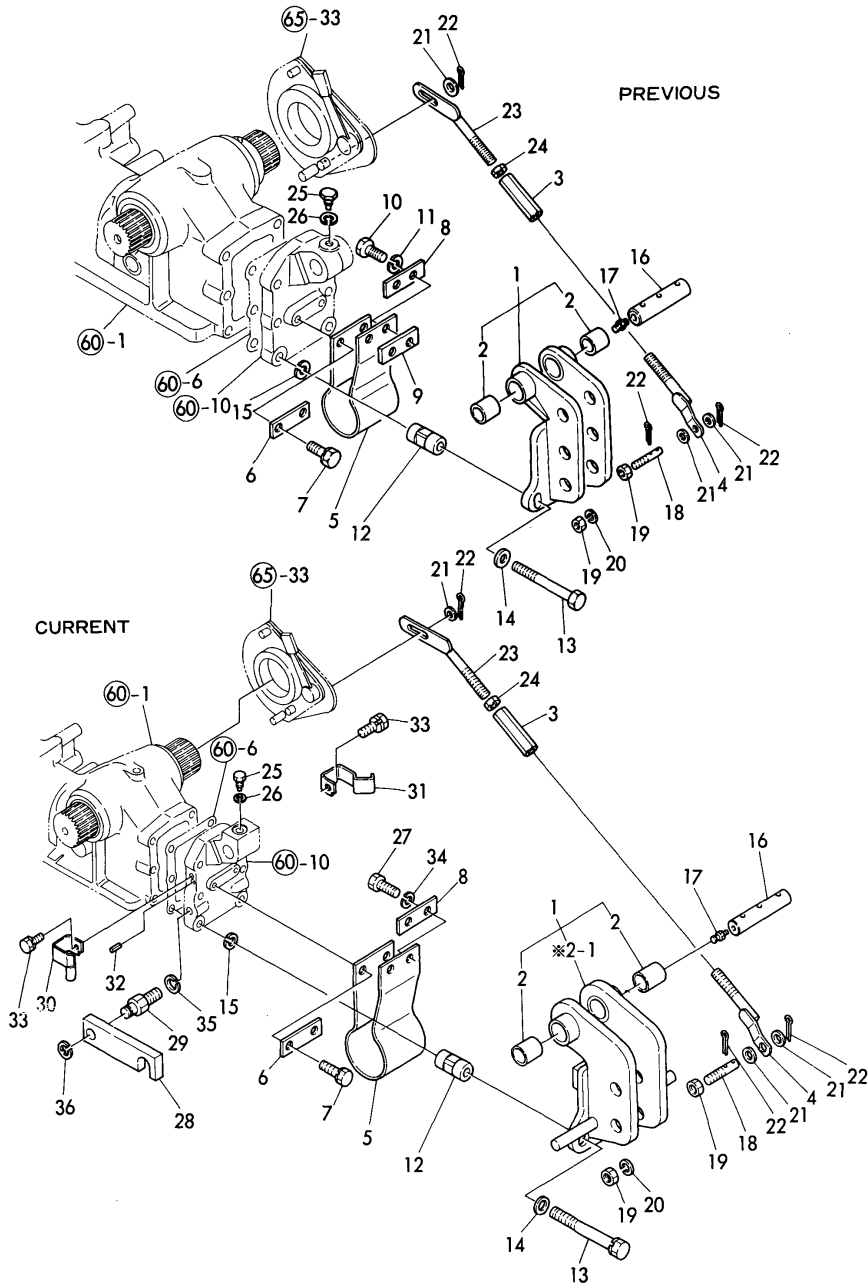
(A)=YM330  
(B)=YM330D  
(C)=

(D)=  
(E)=  
(F)=

REF.	LEV.	PARTS NO.	DESCRIPTION	Q'TY						I	R
				(A)	(B)	(C)	(D)	(E)	(F)		
96	2	194464-45920	PLUG 3/4-16UNF	2	2						
97	2	194464-45930	O-RING 8-1	2	2						
97A	2	23871-020000	PLUG PT1/4,SCREW	1	1						
98-1	1	26013-080952	BOLT M 8X 95	3	3						

Fig.63. DRAFT CONTROL(USA)

Fig.63 DRAFT CONTROL (1)



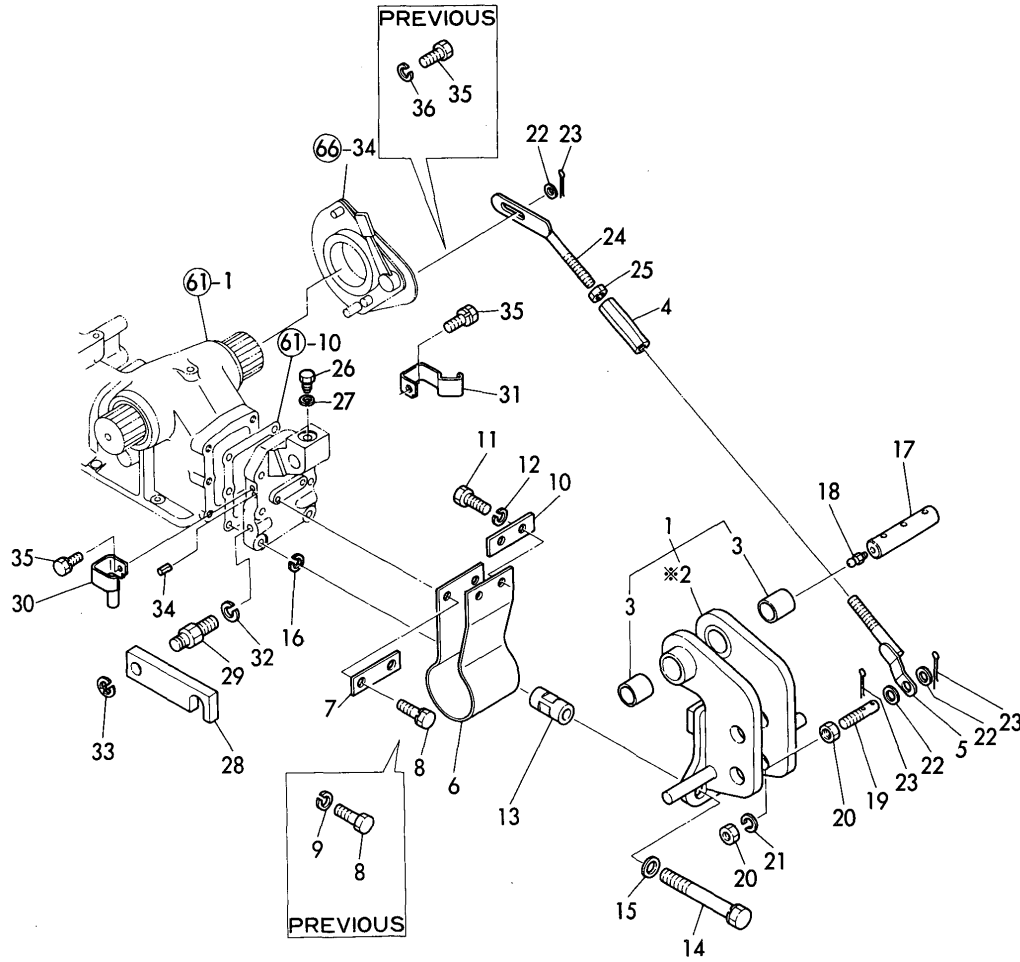
(A)=YM330  
(B)=YM330D  
(C)=

(D)=  
(E)=  
(F)=

REF.	LEV.	PARTS NO.	DESCRIPTION	Q'TY						I	R
				(A)	(B)	(C)	(D)	(E)	(F)		
1	1	194273-47750-X	HINGE ASSY, TOP LINK	1	1						
1-1	1	194320-47750-X (A=*) (B=*)	HINGE ASSY, TOP LINK	1	1						R
2	2	194190-11520	BUSH 25X25	2	2						
3	1	194130-37730	TURNBUCKLE M10X70	1	1						
4	1	194450-47430-X	ROD, FEED BACK	1	1						
5	1	194273-47720	SPRING, SENSING	1	1						
6	1	194320-47840	SPACER	1	1						
7	1	26013-100282	BOLT M10X 28	2	2						
8	1	194320-47800-X	SPACER	1	1						
9	1	194320-47850	SPACER (B)	1	1						
10	1	194320-47890	BOLT	2	2						
11	1	22217-120000	WASHER 12,SPRING	2	2						
12	1	194320-47880	NUT M12	2	2						
13	1	194320-47810	BOLT, SPRING ADJUST.	2	2						
14	1	194320-47820	WASHER	2	2						
15	1	22217-120000	WASHER 12,SPRING	2	2						
16	1	194320-47760	PIN 22	1	1						
17	1	24764-010000	NIPPLE M6F, GREASE	1	1						
17-1	1	24761-010000 (A=*) (B=*)	NIPPLE M6F, GREASE	1	1						R
18	1	194273-47770	PIN, HINGE	1	1						
19	1	26716-100002	NUT M10	2	2						
20	1	22217-100000	SPRING WASHER 10	1	1						
21	1	22137-100000	WASHER 10,POLISHED	4	4						
22	1	22417-300200	COTTER PIN 3.0X20	3	3						
22-1	1	22417-300250	COTTER PIN 3.0X 25	3	3						R
		(A=*) (B=*)									
23	1	194450-47790-X	ROD, FFED BACK	1	1						
24	1	26756-100002	LOCK NUT M10 PLATED	1	1						
25	1	194320-47860	BOLT	1	1						
26	1	22217-100000	SPRING WASHER 10	1	1						
27	1	194464-47890	BOLT M14X28	2	2						
28	1	194322-47910-X	BAR, LOCK	2	2						
29	1	194322-47920	BOLT, LOCK	2	2						
30	1	194322-47930-U	SPRING(L), LOCK BAR	1	1						
31	1	194322-47940-U	SPRING(R), LOCK BAR	1	1						
32	1	22351-030012	SPRING PIN 3X12	2	2						
33	1	26013-060122	BOLT M 6X 12	2	2						
34	1	22217-140000	SPRING WASHER 14	2	2						
35	1	22217-160000	SPRING WASHER 16	2	2						
36	1	22272-000120	CIRCLIP E-12	2	2						

Fig.64. DRAFT CONTROL(PORTUGAL)

Fig.64 DRAFT CONTROL (2)



(A)=YM330  
(B)=YM330D  
(C)=

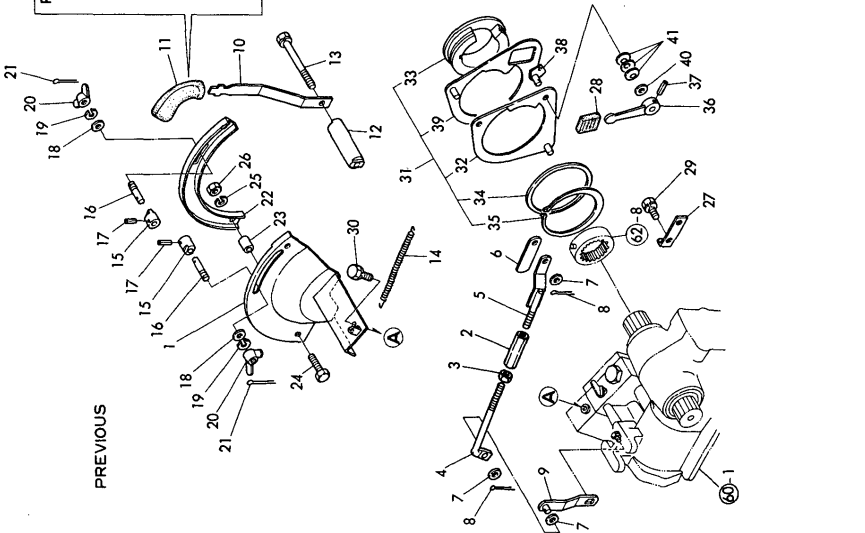
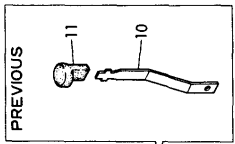
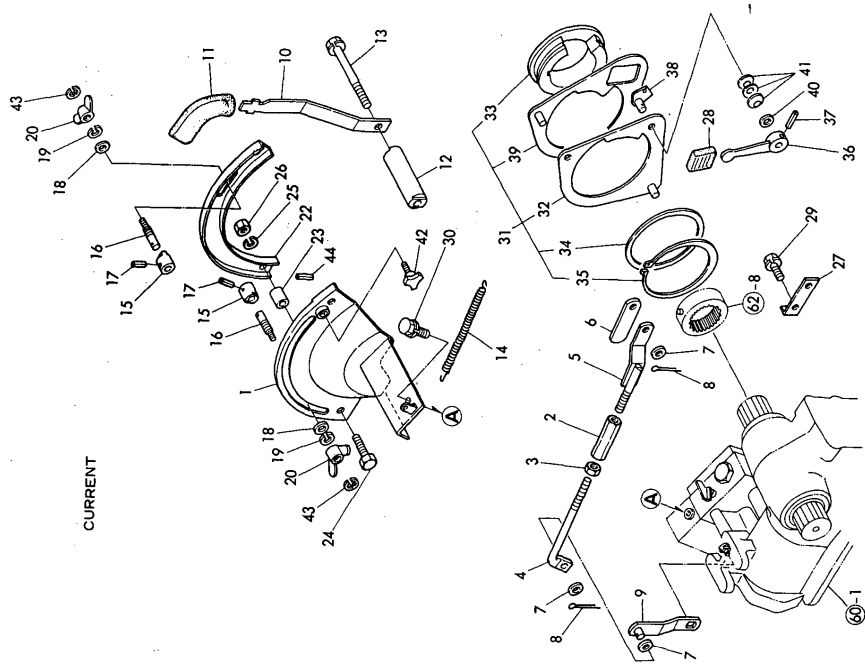
(D)=  
(E)=  
(F)=

REF.	LEV.	PARTS NO.	DESCRIPTION	Q'TY						I	R
				(A)	(B)	(C)	(D)	(E)	(F)		
1	1	194322-47740-X	HINGE ASSY, TOP LINK	1	1						
3	2	194190-11520	BUSH 25X25	2	2						
4	1	194130-37730	TURNBUCKLE M10X70	1	1						
5	1	194450-47430-X	ROD, FEED BACK	1	1						
6	1	194464-47721-X	SPRING, SENSING	1	1						
7	1	194320-47840	SPACER	1	1						
8	1	26116-100282	BOLT M10X 28 PLATED	2	2						
8-1	1	26013-100282	BOLT M10X 28	2	2						R
9	1	22217-100000	SPRING WASHER 10	2	2						Z
10	1	194464-47870-X	SPACER	1	1						
11	1	194464-47890	BOLT M14X28	2	2						
12	1	22217-140000	SPRING WASHER 14	2	2						
13	1	194320-47880	NUT M12	2	2						
14	1	194320-47810	BOLT, SPRING ADJUST.	2	2						
15	1	194464-47830	WASHER 12	2	2						
16	1	22217-120000	WASHER 12,SPRING	2	2						
17	1	194320-47760	PIN 22	1	1						
18	1	24761-010000	NIPPLE M6F, GREASE	1	1						
19	1	194273-47770	PIN, HINGE	1	1						
20	1	26716-100002	NUT M10	2	2						
21	1	22217-100000	SPRING WASHER 10	1	1						
22	1	22137-100000	WASHER 10,POLISHED	3	3						
23	1	22417-300250	COTTER PIN 3.0X 25	3	3						
24	1	194450-47790-X	ROD, FEED BACK	1	1						
25	1	26756-100002	LOCK NUT M10 PLATED	1	1						
26	1	194320-47860	BOLT	1	1						
27	1	22217-100000	SPRING WASHER 10	1	1						
28	1	194322-47910-X	BAR, LOCK	2	2						
29	1	194322-47920	BOLT, LOCK	2	2						
30	1	194322-47930-U	SPRING(L), LOCK BAR	1	1						
31	1	194322-47940-U	SPRING(R), LOCK BAR	1	1						
32	1	22217-160000	SPRING WASHER 16	2	2						
33	1	22272-000120	CIRCLIP E-12	2	2						
34	1	22351-030012	SPRING PIN 3X12	2	2						
35	1	26116-060122	BOLT M 6X 12	2	2						
35-1	1	26013-060122	BOLT M 6X 12	2	2						R
36	1	22217-060000	SPRING WASHER 6	2	2						Z

Fig.65. OIL PRESSURE CONTROL(USA)

(A)=YM330  
(B)=YM330D  
(C)=

(D)=  
(E)=  
(F)=



REF.	LEV.	PARTS NO.	DESCRIPTION	Q'TY						I	R
				(A)	(B)	(C)	(D)	(E)	(F)		
1	1	194320-47310-X	GUIDE, LEVER	1	1						
2	1	194130-37730	TURNBUCKLE M10X70	1	1						
3	1	26756-100002	LOCK NUT M10 PLATED	1	1						
4	1	194450-47420-X	ROD(A), FEED BACK	1	1						
5	1	194450-47430-X	ROD(B), FEED BACK	1	1						
6	1	194450-47460-X	HINGE, SPRING	1	1						
7	1	22137-100000	WASHER 10,POLISHED	3	3						
8	1	22417-300200	COTTER PIN 3.0X20	2	2						
8-1	1	22417-300250	COTTER PIN 3.0X 25	2	2						R
		(A=*) (B=*)									
9	1	194320-47410-X	LEVER, FEED BACK	1	1						
10	1	194450-47360-X	LEVER, CONTROL	1	1						
10-1	1	194464-47360-X	LEVER, CONTROL	1	1						S 1
		(A=T/# 00216) (B=T/# 00382)									
11	1	194450-47370	KNOB, CONTROL LEVER	1	1						
11-1	1	194420-47370	KNOB, CONTROL LEVER	1	1						S 1
		(A=T/# 00216) (B=T/# 00382)									
12	1	194320-47380-X	SHAFT, CONTROL LEVER	1	1						
13	1	26013-101002	BOLT M10X100	1	1						
13-1	1	26116-101002	BOLT M10X100	1	1						N
		(A=*) (B=*)									
13A	1	22217-100000	SPRING WASHER 10	1	1						W
		(A=*) (B=*)									
14	1	194450-47450	SPRING	1	1						
15	1	194450-47390	STOPPER	2	2						
16	1	194450-47440	BOLT, STOPPER	2	2						
16-1	1	194464-47440	BOLT, STOPPER	2	2						S
		(A=*1983.10) (B=*1983.10)									
17	1	22351-040014	SPRING PIN 4X14	2	2						
18	1	22137-080000	WASHER 8, POLISHED	2	2						
19	1	22217-080000	SPRING WASHER 8	2	2						
20	1	26635-080002	WING NUT M 8	2	2						
21	1	22417-160150	COTTER PIN 1.6X15	2	2						Z
		(A=*) (B=*)									
21A	1	22351-020012	SPRING PIN 2X 12	1	1						W
		(A=*) (B=*)									
21B	1	22417-300250	COTTER PIN 3.0X 25	1	1						W
		(A=*) (B=*)									
22	1	194450-47340-X	GUIDE (B), LEVER	1	1						
23	1	194450-47350	SPACER, GUIDE	2	2						
24	1	26116-080402	BOLT M 8X 40 PLATED	2	2						
24-1	1	26116-080352	BOLT M 8X 35	2	2						N
		(A=*) (B=*)									
25	1	22217-080000	SPRING WASHER 8	2	2						
26	1	26716-080002	NUT M 8	2	2						
27	1	194320-47530-X	HINGE, STOPPER	1	1						
28	1	194273-47910	KNOB	1	1						
29	1	26013-080182	BOLT M 8X 18	2	2						
29-1	1	26013-080162	BOLT W/WASHER M8X16	2	2						N
		(A=*) (B=*)									
30	1	26013-080122	BOLT M 8X 12	1	1						

N:Old ↔ New, Q:Old ↔ New, R:Old ↔ New, S:Old ↔ New, W:Add, Z:Discontinued, F:Set Change, K:Q'ty Change  
++ CONTINUE ++ (C)Copy Rights YANMAR CO.,LTD and YANMAR AGRICULTURAL EQUIPMENT CO.,LTD.

Fig.65 OIL PRESSURE CONTROL (DRAFT CONTROL) (1)

Fig.65. OIL PRESSURE CONTROL(USA)

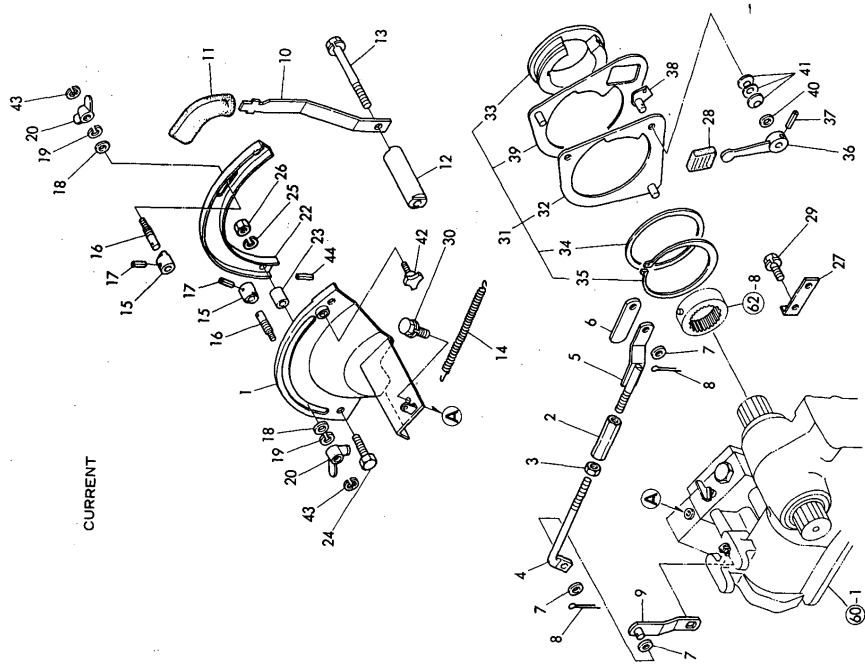
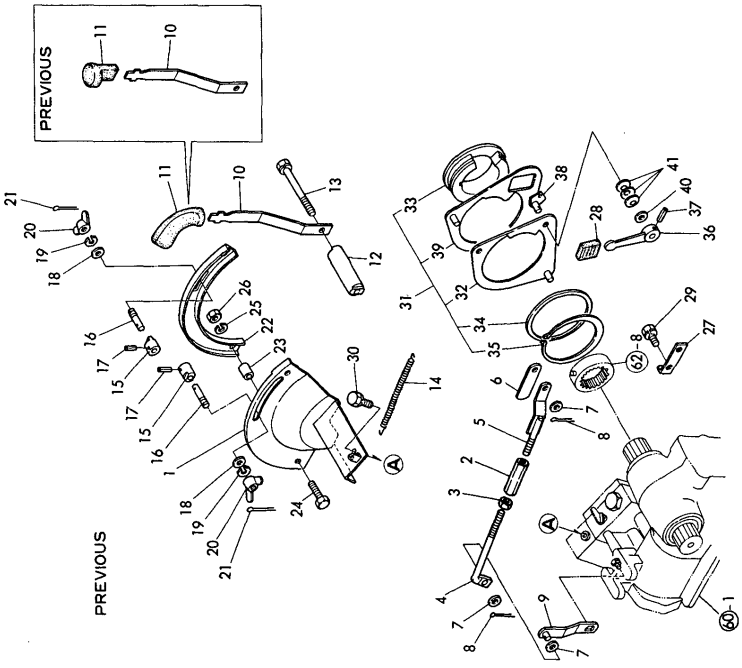


Fig.65 OIL PRESSURE CONTROL (DRAFT CONTROL) (1)



Y00T2341 65. OIL PRESSURE CONTROL(USA)

(A)=YM330  
(B)=YM330D  
(C)=

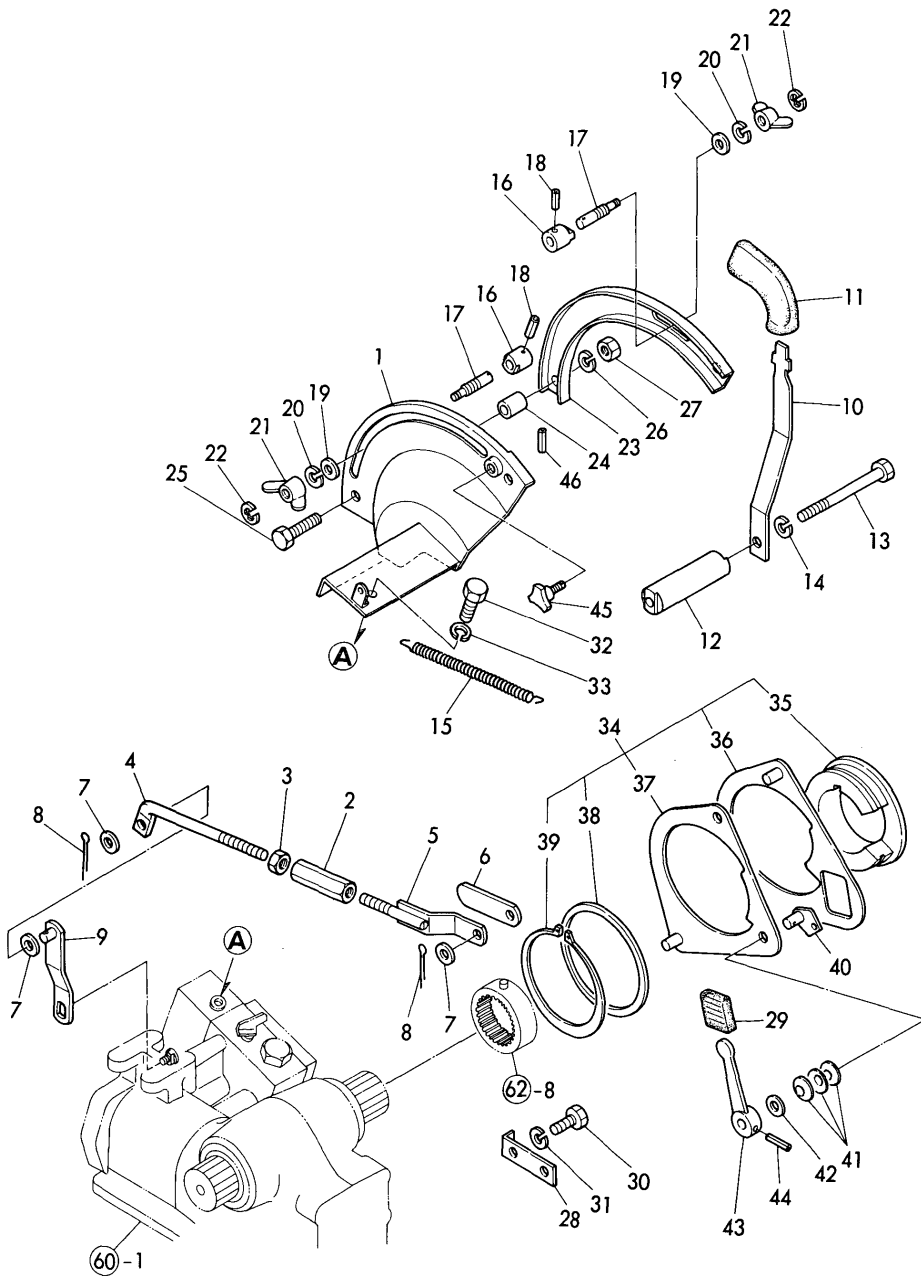
(D)=  
(E)=  
(F)=

REF.	LEV.	PARTS NO.	DESCRIPTION	Q'TY						I	R
				(A)	(B)	(C)	(D)	(E)	(F)		
31	1	194450-47510	LINK ASSY, CONTROL	1	1						
31-1	1	194464-47510	LINK ASSY, CONTROL	1	1						N
(A=T/# 00292) (B=T/# 00586)											
32	2	194450-47610	CAM, DRAFT	1	1						
33	2	194450-47560	RING, CONTROL	1	1						
33-1	2	194464-47560	RING, CONTROL	1	1						N
(A=T/# 00292) (B=T/# 00586)											
34	2	194450-47570	WASHER	1	1						
35	2	22242-000950	CIRCLIP 95	1	1						
36	2	194450-47640-X	LEVER, SELECTION	1	1						
37	2	22351-040022	SPRING PIN 4X22	1	1						
38	2	194450-47630	CAM, SELECTION	1	1						
39	2	194450-47620	CAM, POSITION	1	1						
40	2	194450-47660	SHIM	1	1						2
41	2	194450-47650	SPRING	3	3						
42	1	194464-47470	BOLT, LOCK	1	1						W
(A=*) (B=*)											
43	1	22272-000040	CIRCLIP E- 4	2	2						W
(A=*) (B=*)											

N:Old ↔ New, Q:Old ↔ New, R:Old ↔ New, S:Old ↔ New, W:Add, Z:Discontinued, F:Set Change, K:Q'ty Change  
(C)Copy Rights YANMAR CO.,LTD and YANMAR AGRICULTURAL EQUIPMENT CO.,LTD.

Fig.66. OIL PRESSURE CONTROL(PORTUGAL)

Fig.66 OIL PRESSURE CONTROL (DRAFT CONTROL) (2)



(A)=YM330  
(B)=YM330D  
(C)=

(D)=  
(E)=  
(F)=

REF.	LEV.	PARTS NO.	DESCRIPTION	Q'TY						I	R
				(A)	(B)	(C)	(D)	(E)	(F)		
1	1	194464-47300-X	GUIDE, LEVER	1	1						
2	1	194130-37730	TURNBUCKLE M10X70	1	1						
3	1	26756-100002	LOCK NUT M10 PLATED	1	1						
4	1	194450-47420-X	ROD(A), FEED BACK	1	1						
5	1	194450-4743-X	ROD(B), FEED BACK	1	1						
6	1	194450-47460-X	HINGE, SPRING	1	1						
7	1	22137-100000	WASHER 10,POLISHED	3	3						
8	1	22417-300250	COTTER PIN 3.0X 25	2	2						
9	1	194320-47410-X	LEVER, FEED BACK	1	1						
10	1	194464-47360-X	LEVER, CONTROL	1	1						
11	1	194420-47370	KNOB, CONTROL LEVER	1	1						
12	1	194320-47380-X	SHAFT, CONTROL LEVER	1	1						
13	1	26116-101002	BOLT M10X100	1	1						
14	1	22217-100000	SPRING WASHER 10	1	1						
15	1	194450-47470	SPRING, SET	1	1						
16	1	194450-47390	STOPPER	2	2						
17	1	194464-47440	BOLT, STOPPER	2	2						
18	1	22351-040014	SPRING PIN 4X14	2	2						
19	1	22137-080000	WASHER 8, POLISHED	2	2						
20	1	22217-080000	SPRING WASHER 8	2	2						
21	1	26635-080002	WING NUT M 8	2	2						
22	1	22272-000040	CIRCLIP E- 4	2	2						
23	1	194450-47340-X	GUIDE (B), LEVER	1	1						
24	1	194450-47350	SPACER, GUIDE	2	2						
25	1	26116-080352	BOLT M 8X 35	2	2						
26	1	22217-080000	SPRING WASHER 8	2	2						
27	1	26716-080002	NUT M 8	2	2						
28	1	194320-47530-X	HINGE, STOPPER	1	1						
29	1	194273-47910	KNOB	1	1						
30	1	26116-080182	BOLT M 8X 18 PLATED	2	2						
31	1	22217-080000	SPRING WASHER 8	2	2						
32	1	26116-080122	BOLT M 8X 12 PLATED	1	1						
33	1	22217-080000	SPRING WASHER 8	1	1						
34	1	194450-47510	LINK ASSY, CONTROL	1	1						
34-1	1	194464-47510	LINK ASSY, CONTROL	1	1						N
35	2	194450-47560	RING, CONTROL	1	1						
35-1	2	194464-47560	RING, CONTROL	1	1						N
36	2	194450-47620	CAM, POSITION	1	1						
37	2	194450-47610	CAM, DRAFT	1	1						
38	2	194450-47660	SHIM	-	-						1
39	2	22242-000950	CIRCLIP 95	1	1						
40	2	194450-47630	CAM, SELECTION	1	1						
41	2	194450-47650	SPRING	3	3						
42	2	194450-47570	WASHER	1	1						
43	2	194450-47640-X	LEVER, SELECTION	1	1						
44	2	22351-040022	SPRING PIN 4X22	1	1						
45	1	194464-47470	BOLT, LOCK	1	1						
46	1	22351-020012	SPRING PIN 2X 12	1	1						



Fig.67. HYD.PIPES (POSITION CONTROL)

(A)=YM330  
(B)=YM330D  
(C)=

(D)=  
(E)=  
(F)=

REF.	LEV.	PARTS NO.	DESCRIPTION	Q'TY						I	R
				(A)	(B)	(C)	(D)	(E)	(F)		
1	1	194145-41120	PUMP ASSY, HYDRAULIC	1	1						
3	2	194320-41150	COVER	1	1						
8	2	24315-000200	O-RING 1B P-20.0	4	4						
9	2	24341-000480	O-RING 1A S-48.0	1	1						
10	2	24341-000100	O-RING 1A S-10.0	1	1						
11	2	194320-41160	SEAL TC14 25 7, OIL	1	1						
11-1	2	24421-142507	SEAL TC14 25 07, OIL	1	1						R
		(A=*1986.02) (B=*1986.02)									
13	2	26450-080252	BOLT M 8X 25	6	6						
14	2	22217-080000	SPRING WASHER 8	6	6						
15	2	22522-030130	WOODRUFF KEY 3X13	1	1						
16	1	194990-20180	NUT	1	1						
16-1	1	26716-080002	NUT M 8	1	1						N
		(A=*1983.09) (B=*1983.09)									
17	1	22217-080000	SPRING WASHER 8	1	1						
18	1	194100-41670	WASHER 8.5X18X2	1	1						
19	1	194275-48100-X	PIPE, HIGH-PRESSURE	1	1						
19-1	1	194275-48101-X	PIPE, HIGH-PRESSURE	1	1						S 1
		(A=T/# 00219) (B=T/# 00417)									
20	1	26013-060402	BOLT M 6X 40	6	6						
21	1	24311-000200	O-RING 1A P-20.0	3	3						
22	1	26013-060352	BOLT M 6X 35	4	4						
23	1	194130-48650	BOLT 18, JOINT	1	1						
23-1	1	194130-48650	BOLT 18, JOINT	3	3						K 1
		(A=T/# 00219) (B=T/# 00417)									
24	1	23414-180023	GASKET 18	2	2						
24-1	1	23414-180023	GASKET 18	6	6						K 1
		(A=T/# 00219) (B=T/# 00417)									
25	1	194145-48150-X	PIPE, HIGH-PRESSURE	1	1						
26	1	194145-48161-X	PIPE, LOW PRESSURE	1	1						
27	1	24311-000240	O-RING 1A P-24.0	1	1						
28	1	26116-080502	BOLT M 8X 50 PLATED	2	2						
29	1	26013-080302	BOLT M 8X 30	4	4						
30	1	26116-100302	BOLT M10X 30 PLATED	2	2						
31	1	22217-100000	SPRING WASHER 10	6	6						
32	1	194145-48510-X	BRACKET, FILTER	1	1						
33	1	26116-100162	BOLT M10X 16 PLATED	4	4						
34	1	194150-48230	HOSE, RUBBER	1	1						
35	1	194151-48710	CLAMP	2	2						
36	1	194145-48180	CLAMP	1	1						
37	1	194130-44850	PROTECTOR,PIPE CLAMP	1	1						
37-1	1	194464-44850	PROTECTOR,PIPE CLAMP	1	1						R
		(A=*) (B=*)									
38	1	194145-48830	RETAINER	1	1						
39	1	26013-080352	BOLT M 8X 35	2	2						
39-1	1	26106-080352	BOLT M 8X 35 PLATED	2	2						N
		(A=*1990.02) (B=*1990.02)									
40	1	22217-080000	SPRING WASHER 8	2	2						Z
		(A=*1990.02) (B=*1990.02)									
41	1	194145-48311-X	COVER, STRAINER	1	1						
42	1	194145-48370	PLUG 20	2	2						

N:Old ↔ New, Q:Old ↔ New, R:Old ↔ New, S:Old ↔ New, W:Add, Z:Discontinued, F:Set Change, K:Q'ty Change  
 ++ CONTINUE ++  
 (C)Copy Rights YANMAR CO.,LTD and YANMAR AGRICULTURAL EQUIPMENT CO.,LTD.

Fig.67 HYDRAULIC PIPES (POSITION CONTROL)

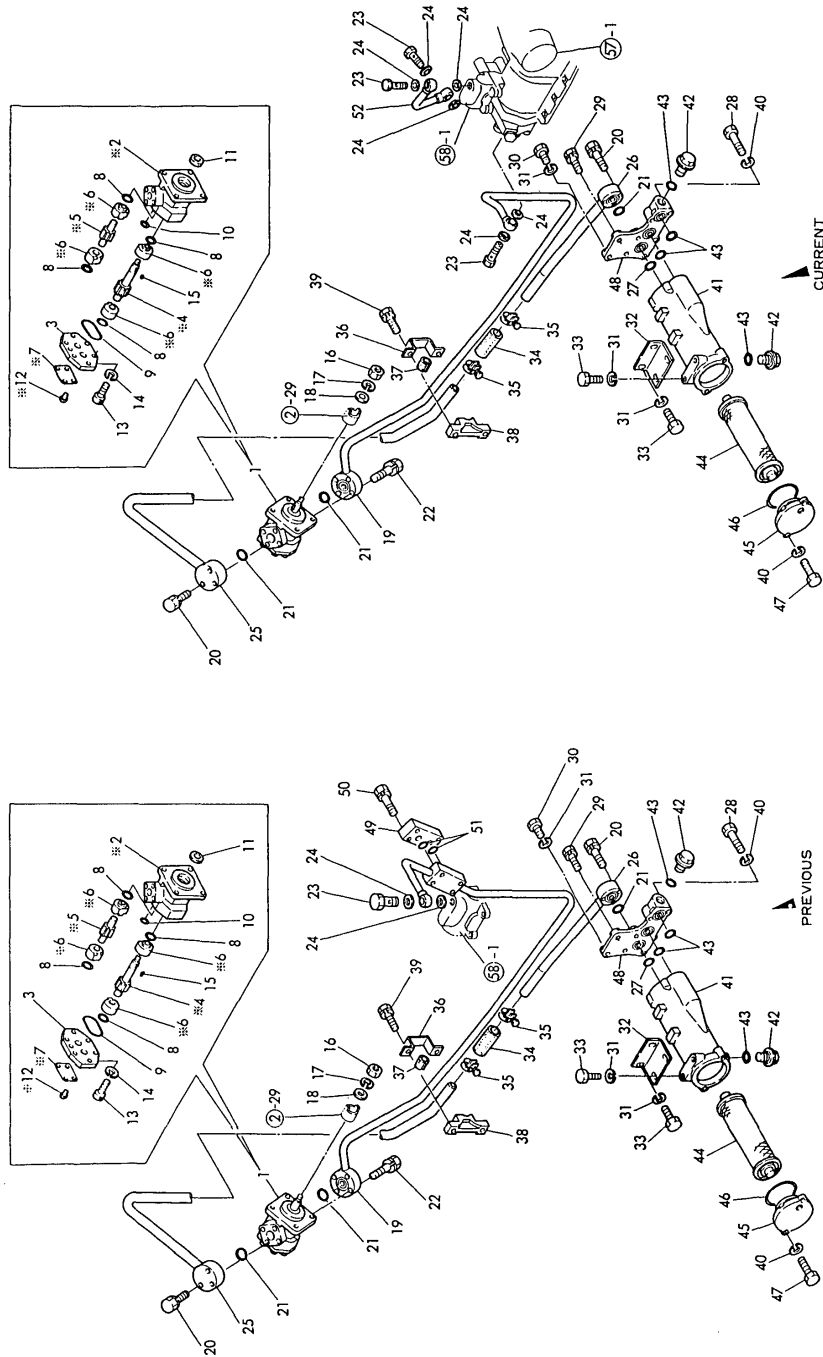


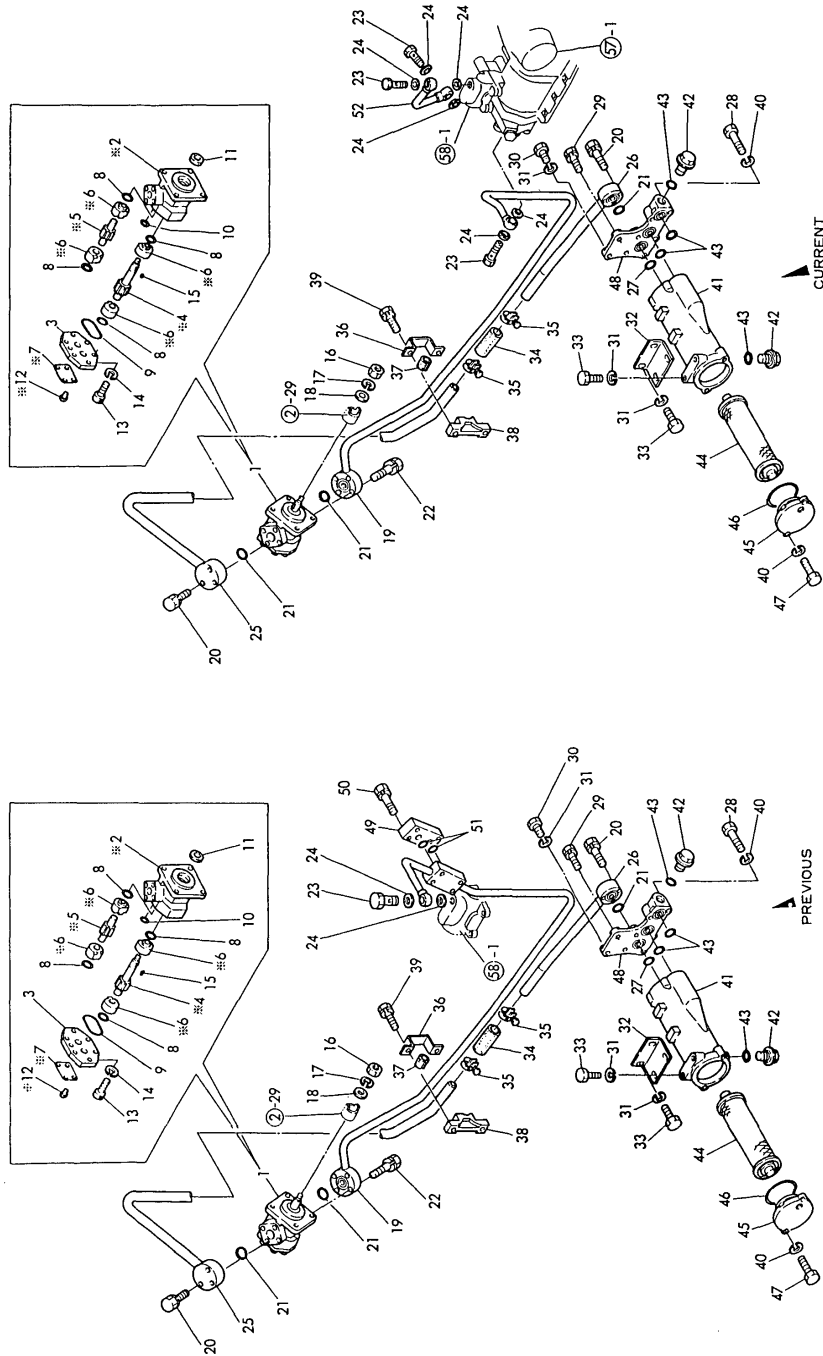
Fig.67. HYD.PIPES (POSITION CONTROL)

(A)=YM330  
(B)=YM330D  
(C)=

(D)=  
(E)=  
(F)=

REF.	LEV.	PARTS NO.	DESCRIPTION	Q'TY						I	R
				(A)	(B)	(C)	(D)	(E)	(F)		
43	1	24311-000220	O-RING 1A P-22.0	4	4						
44	1	194145-48401	FILTER, HYDRAULIC	1	1						
45	1	194145-24220-X	COVER, STRAINER	1	1						
46	1	24321-000600	O-RING 1A G-60.0	1	1						
47	1	26116-080202	BOLT M 8X 20 PLATED	2	2						
47-1	1	26106-080202	BOLT M 8X 20 PLATED	2	2						N
(A=*1990.02) (B=*1990.02)											
48	1	194145-48360-X	COVER, SIDE	1	1						
49	1	194240-48140	COVER, HYD. ADAPTER	1	1						Z 1
(A=T/# 00219) (B=T/# 00417)											
50	1	26013-080352	BOLT M 8X 35	4	4						Z 1
(A=T/# 00219) (B=T/# 00417)											
51	1	24311-000200	O-RING 1A P-20.0	2	2						Z 1
(A=T/# 00219) (B=T/# 00417)											
52	1	194275-48130-X	PIPE(2), HIGH-PRESSU	1	1						W 1
(A=T/# 00219) (B=T/# 00417)											

Fig.67 HYDRAULIC PIPES (POSITION CONTROL)



N:Old ↔ New, Q:Old ↔ New, R:Old ↔ New, S:Old ↔ New, W:Add, Z:Discontinued, F:Set Change, K:Q'ty Change  
(C)Copy Rights YANMAR CO.,LTD and YANMAR AGRICULTURAL EQUIPMENT CO.,LTD.

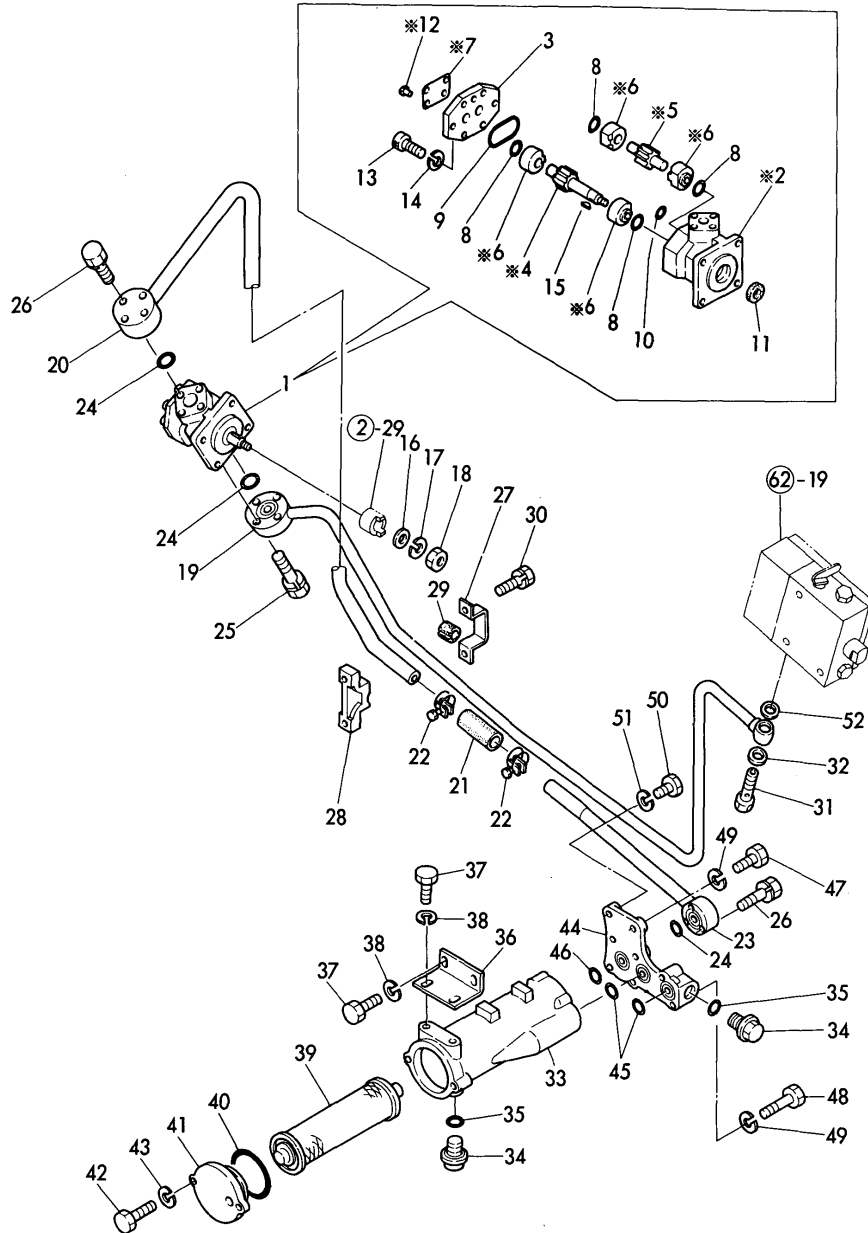
Fig.68. HYD.PIPES & OIL STRAINER(USA)

(A)=YM330  
(B)=YM330D  
(C)=

(D)=  
(E)=  
(F)=

Fig.68 HYDRAULIC PIPES & OIL STRAINER

(DRAFT CONTROL) (1)



REF.	LEV.	PARTS NO.	DESCRIPTION	Q'TY						I	R
				(A)	(B)	(C)	(D)	(E)	(F)		
1	1	194145-41120	PUMP ASSY, HYDRAULIC	1	1						
3	2	194320-41150	COVER	1	1						
8	2	24315-000200	O-RING 1B P-20.0	4	4						
9	2	24341-000480	O-RING 1A S-48.0	1	1						
10	2	24341-000100	O-RING 1A S-10.0	1	1						
11	2	194320-41160	SEAL TC14 25 7, OIL	1	1						
11-1	2	24421-142507	SEAL TC14 25 07, OIL	1	1						R
		(A=*1986.02) (B=*1986.02)									
13	2	26450-080252	BOLT M 8X 25	6	6						
14	2	22217-080000	SPRING WASHER 8	6	6						
15	2	22522-030130	WOODRUFF KEY 3X13	1	1						
16	1	194100-41670	WASHER 8.5X18X2	1	1						
17	1	22217-080000	SPRING WASHER 8	1	1						
18	1	194990-20180	NUT	1	1						
18-1	1	26716-080002	NUT M 8	1	1						N
		(A=*1983.09) (B=*1983.09)									
19	1	194320-48110-X	PIPE, HIGH-PRESSURE	1	1						
20	1	194145-48150-X	PIPE, HIGH-PRESSURE	1	1						
21	1	194150-48230	HOSE, RUBBER	1	1						
22	1	194151-48710	CLAMP	2	2						
23	1	194145-48161-X	PIPE, LOW PRESSURE	1	1						
24	1	24311-000200	O-RING 1A P-20.0	3	3						
25	1	26013-060352	BOLT M 6X 35	4	4						
25-1	1	26106-060352	BOLT M 6X 35 PLATED	4	4						N
		(A=*1989.09) (B=*1989.09)									
26	1	26013-060402	BOLT M 6X 40	6	6						
27	1	194145-48180	CLAMP	1	1						
28	1	194145-48830	RETAINER	1	1						
29	1	194130-48850	PIPE	1	1						
29-1	1	194464-48850	RUBBER	1	1						R
		(A=*) (B=*)									
30	1	26013-080352	BOLT M 8X 35	2	2						
30-1	1	26106-080352	BOLT M 8X 35 PLATED	2	2						N
		(A=*1990.02) (B=*1990.02)									
31	1	194130-48650	BOLT 18, JOINT	1	1						
31-1	1	198220-48750	CONNECTOR ASSY	1	1						S
		(A=*1988.10) (B=*1988.10)									
32	1	23414-180023	GASKET 18	1	1						
33	1	194145-48311-X	COVER, STRAINER	1	1						
34	1	194145-48370	PLUG 20	2	2						
35	1	24311-000220	O-RING 1A P-22.0	2	2						
36	1	194145-48510-X	BRACKET, FILTER	1	1						
37	1	26116-100162	BOLT M10X 16 PLATED	4	4						
38	1	22217-100000	SPRING WASHER 10	4	4						
39	1	194145-48401	FILTER, HYDRAULIC	1	1						
40	1	24321-000600	O-RING 1A G-60.0	1	1						
41	1	194145-24220-X	COVER, STRAINER	1	1						
42	1	26116-080202	BOLT M 8X 20 PLATED	2	2						
42-1	1	26106-080202	BOLT M 8X 20 PLATED	2	2						N
		(A=*1990.02) (B=*1990.02)									
43	1	22217-080000	SPRING WASHER 8	2	2						Z

N:Old ↔ New, Q:Old ↔ New, R:Old ↔ New, S:Old ↔ New, W:Add, Z:Discontinued, F:Set Change, K:Q'ty Change

++ CONTINUE ++

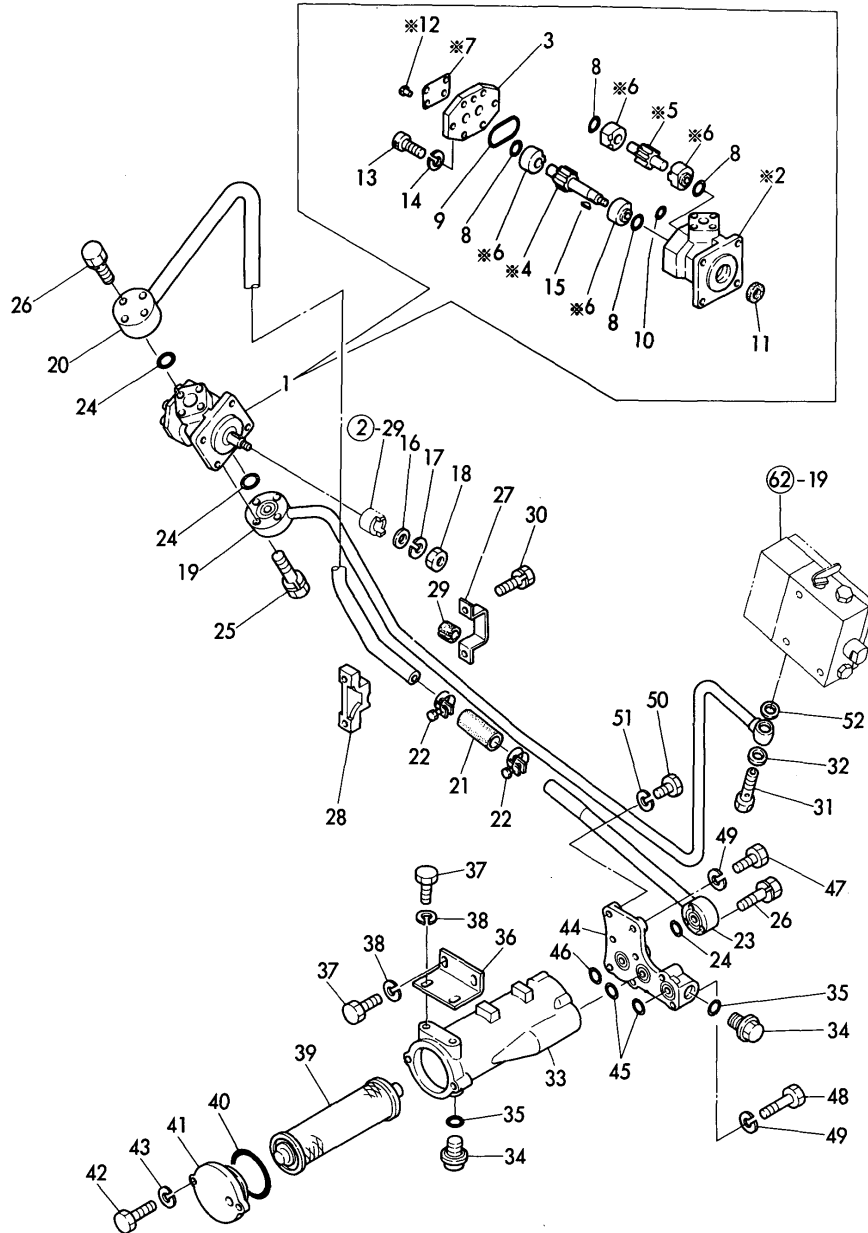
(C)Copy Rights YANMAR CO.,LTD and YANMAR AGRICULTURAL EQUIPMENT CO.,LTD.

(A)=YM330  
(B)=YM330D  
(C)=

(D)=  
(E)=  
(F)=

Fig.68 HYDRAULIC PIPES & OIL STRAINER

(DRAFT CONTROL) (1)

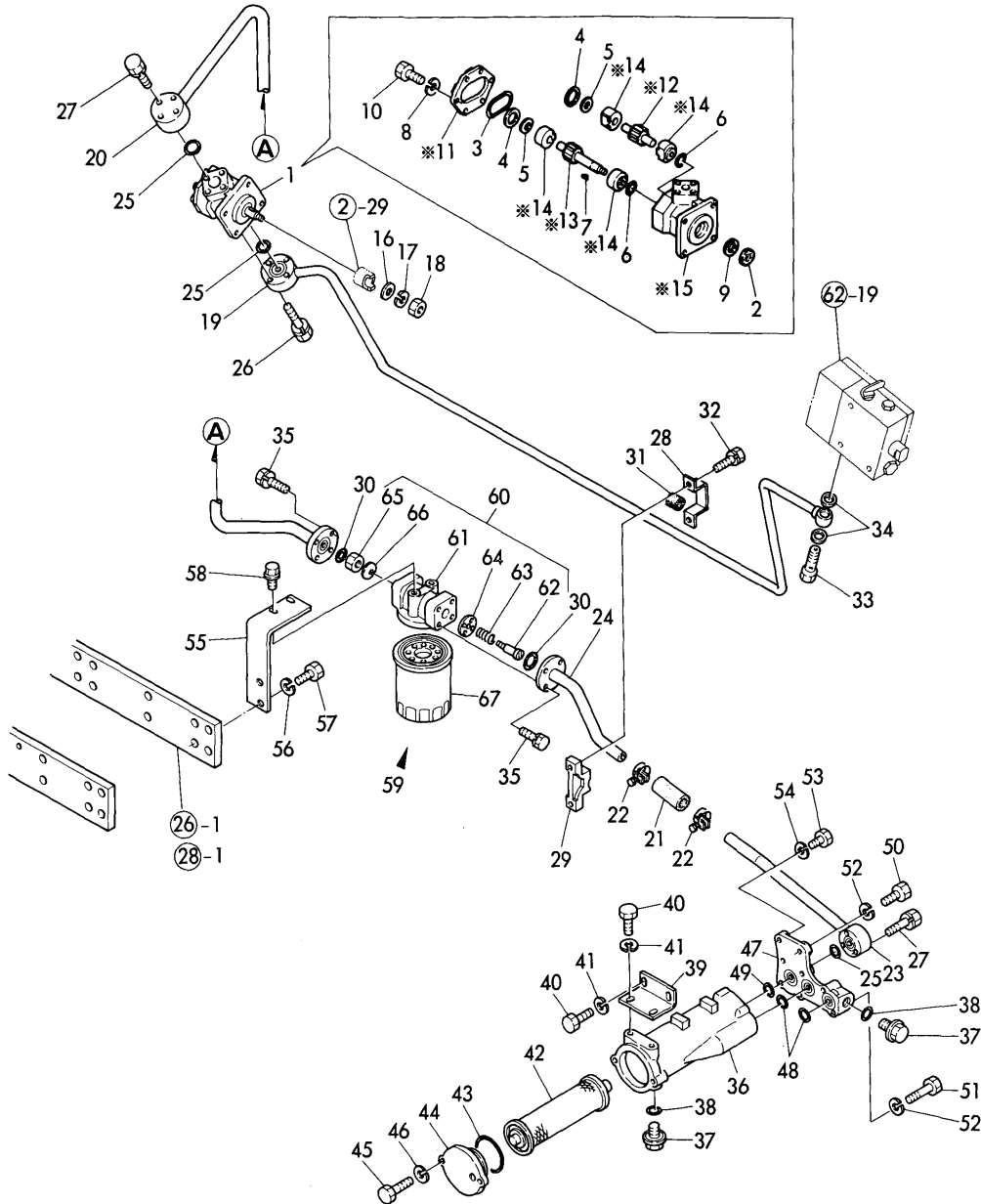


REF.	LEV.	PARTS NO.	DESCRIPTION	Q'TY						I	R	
				(A)	(B)	(C)	(D)	(E)	(F)			
		(A=*1990.02)	(B=*1990.02)									
44	1	194145-48360-X	COVER, SIDE	1	1							
45	1	24311-000220	O-RING 1A P-22.0	2	2							
46	1	24311-000240	O-RING 1A P-24.0	1	1							
47	1	26116-080302	BOLT M 8X 30 PLATED	4	4							
48	1	26116-080502	BOLT M 8X 50 PLATED	2	2							
49	1	22217-080000	SPRING WASHER 8	6	6							
50	1	26116-100302	BOLT M10X 30 PLATED	2	2							
51	1	22217-100000	SPRING WASHER 10	2	2							
52	1	194320-48660	GASKET 18	1	1							
52-1	1	23414-180023	GASKET 18	1	1							R
		(A=*)	(B=*)									

Fig.69. HYD.PIPES & OIL STRAINER(PG.)

Fig. **69** HYDRAULIC PIPES & OIL STRAINER

(DRAFT CONTROL) (2)



(A)=YM330  
(B)=YM330D  
(C)=

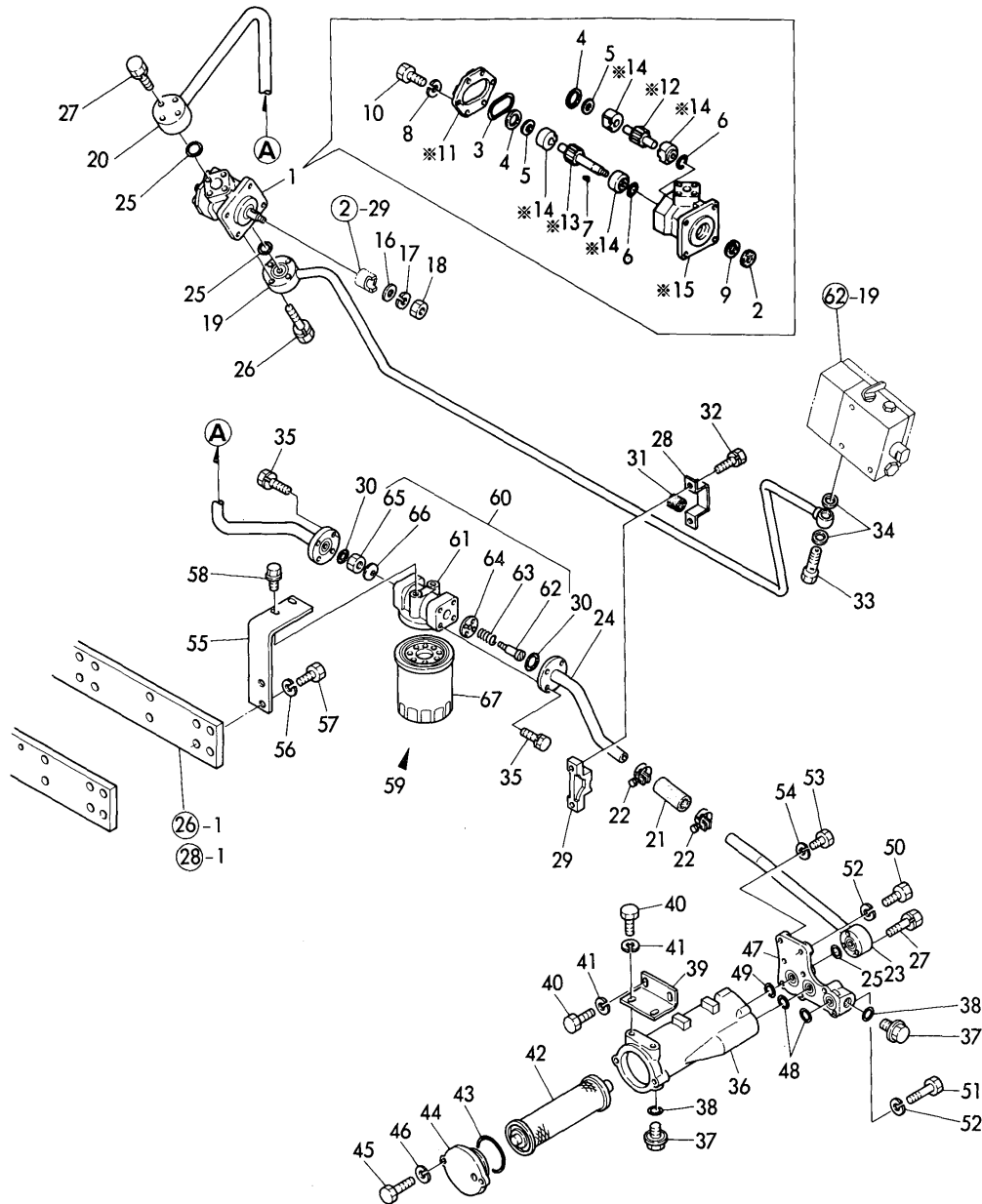
(D)=  
(E)=  
(F)=

REF.	LEV.	PARTS NO.	DESCRIPTION	Q'TY						I	R
				(A)	(B)	(C)	(D)	(E)	(F)		
1	1	194242-41120-X	PUMP ASSY, HYDRAULIC	1	1						
2	2	194432-41150	SEAL, OIL	1	1						
3	2	194200-41170	O-RING	1	1						
4	2	194420-41180	RING, SEALING	2	2						
5	2	194200-41190	RING, SUPPORT	2	2						
6	2	194200-41200	O-RING	2	2						
7	2	194432-41210	KEY, WOODRUFF	1	1						
8	2	22217-080000	SPRING WASHER 8	6	6						
9	2	22252-000280	CIRCLIP 28	1	1						
10	2	26126-080252	BOLT M 8X 25 PLATED	6	6						
16	1	194100-41670	WASHER 8.5X18X2	1	1						
17	1	22217-080000	SPRING WASHER 8	1	1						
18	1	194990-20180	NUT	1	1						
19	1	194270-48110-X	PIPE, HIGH-PRESSURE	1	1						
20	1	194370-48151-X	PIPE, HIGH-PRESSURE	1	1						
21	1	194150-48230	HOSE, RUBBER	1	1						
22	1	194151-48710	CLAMP	2	2						
23	1	194145-48161-X	PIPE, LOW PRESSURE	1	1						
24	1	194376-48190-X	PIPE, LOW PRESSURE	1	1						
25	1	24311-000200	O-RING 1A P-20.0	3	3						
26	1	26013-060352	BOLT M 6X 35	4	4						
27	1	26013-060402	BOLT M 6X 40	6	6						
28	1	194145-48180	CLAMP	1	1						
29	1	194145-48830	RETAINER	1	1						
30	1	24321-000300	O-RING G30	2	2						
31	1	194464-48850	RUBBER	1	1						
32	1	26013-080352	BOLT M 8X 35	2	2						
33	1	194130-48650	BOLT 18, JOINT	1	1						
34	1	23414-180023	GASKET 18	2	2						
35	1	26013-080202	BOLT W/WASHER M8X20	8	8						
36	1	194145-48311-X	COVER, STRAINER	1	1						
37	1	194145-48370	PLUG 20	2	2						
38	1	24311-000220	O-RING 1A P-22.0	2	2						
39	1	194145-48510-X	BRACKET, FILTER	1	1						
40	1	26116-100162	BOLT M10X 16 PLATED	4	4						
41	1	22217-100000	SPRING WASHER 10	4	4						
42	1	194145-48401	FILTER, HYDRAULIC	1	1						
43	1	24321-000600	O-RING 1A G-60.0	1	1						
44	1	194145-24220-X	COVER, STRAINER	1	1						
45	1	26116-080202	BOLT M 8X 20 PLATED	2	2						
46	1	22217-080000	SPRING WASHER 8	2	2						
47	1	194145-48360-X	COVER, SIDE	1	1						
48	1	24311-000220	O-RING 1A P-22.0	2	2						
49	1	24311-000240	O-RING 1A P-24.0	1	1						
50	1	26116-080302	BOLT M 8X 30 PLATED	4	4						
51	1	26116-080502	BOLT M 8X 50 PLATED	2	2						
52	1	22217-080000	SPRING WASHER 8	6	6						
53	1	26116-100302	BOLT M10X 30 PLATED	2	2						
54	1	22217-100000	SPRING WASHER 10	2	2						
55	1	194370-48290-X	BRACKET, FILTER	1	1						
56	1	22217-120000	WASHER 12,SPRING	2	2						

Fig.69. HYD.PIPES & OIL STRAINER(PG.)

Fig. **69** HYDRAULIC PIPES & OIL STRAINER

(DRAFT CONTROL) (2)



(A)=YM330  
(B)=YM330D  
(C)=

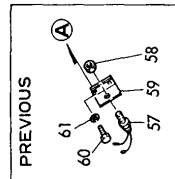
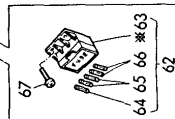
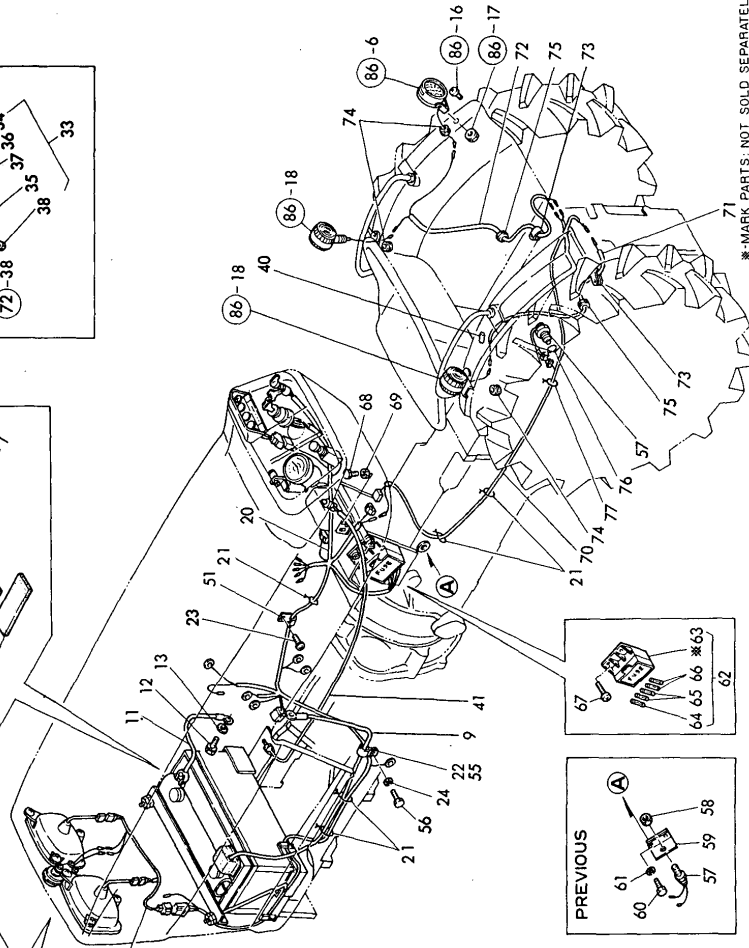
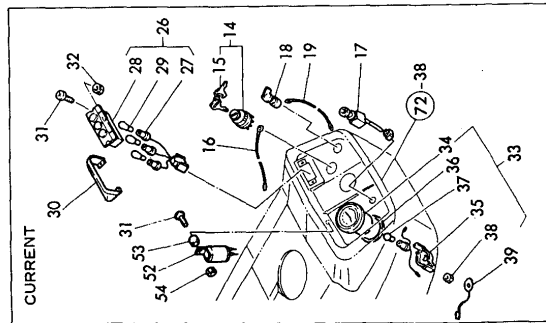
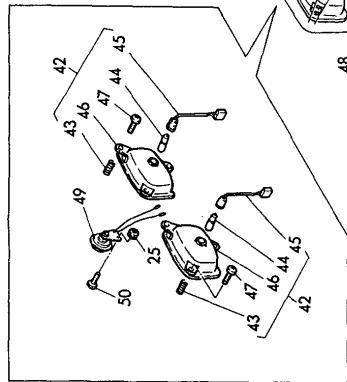
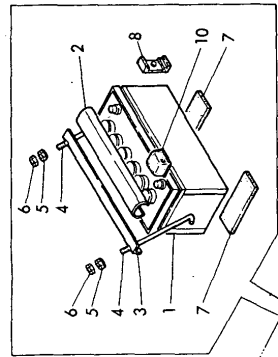
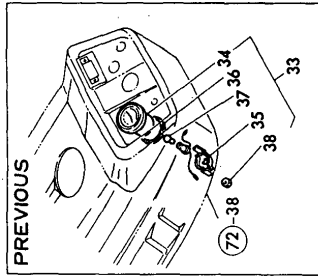
(D)=  
(E)=  
(F)=

REF.	LEV.	PARTS NO.	DESCRIPTION	Q'TY						I	R
				(A)	(B)	(C)	(D)	(E)	(F)		
57	1	26116-120382	BOLT M12X 38 PLATED	2	2						
58	1	26014-080222	BOLT M 8X 22	2	2						
59	1	794370-48300	COVER ASSY, FILTER	1	1						
60	2	194370-48300	COVER ASSY, FILTER	1	1						
61	3	194370-48310-X	COVER, STRAINER	1	1						
62	3	194370-48320	BOLT	1	1						
63	3	194370-48330	SPRING, VALVE	1	1						
64	3	194370-48340	BASE, VALVE	1	1						
65	3	26346-040002	U-NUT M 4 PLATED	1	1						
66	3	194370-48350	VALVE	1	1						
67	2	194370-48390	FILTER, HYDRAULIC	1	1						

Fig.70. ELECTRIC PARTS (U.S.A.)

(A)=YM330  
(B)=YM330D  
(C)=

(D)=  
(E)=  
(F)=



\*\*MARK PARTS: NOT SOLD SEPARATELY.

REF.	LEV.	PARTS NO.	DESCRIPTION	Q'TY						I R
				(A)	(B)	(C)	(D)	(E)	(F)	
1	1	194080-51510	BATTERY (N100)	1	1					
1-1	1	194275-51510	BATTERY (N100), DRY	1	1					R
		(A=*1985.05) (B=*1985.05)								
2	1	194145-51550	COVER, BATTERY	1	1					
3	1	194145-51560	CLAMP, BATTERY	1	1					
3-1	1	194370-51570	CRAMP, BATTERY	2	2					S
		(A=*1985.09) (B=*1985.09)								
4	1	194145-51570	ROD, BATTERY CLAMP	2	2					
4-1	1	194370-51550	COVER, BATTERY	1	1					S
		(A=*1985.09) (B=*1985.09)								
5	1	194990-22140	NUT W/WASHER 8	2	2					
5A	1	26106-100162	BOLT M10X 16 PLATED	2	2					W
		(A=*1985.09) (B=*1985.09)								
5B	1	26106-080752	BOLT M 8X 75 PLATED	2	2					W
		(A=*1985.09) (B=*1985.09)								
6	1	26716-080002	NUT M 8	2	2					
7	1	194145-51591	GASKET	2	2					
7-1	1	194151-04260	GASKET, RUBBER	2	2					R
		(A=*1980.04) (B=*1980.04)								
8	1	194320-51580	CUSHION (RUBBER)	2	2					Z
		(A=*1985.09) (B=*1985.09)								
9	1	194080-51411	CABLE, BATTERY	1	1					
9-1	1	194880-51410	CABLE, BATTERY	1	1					N
		(A=*1990.09) (B=*1990.09)								
9A	1	194440-01550	GROMMET	2	2					W
		(A=*1986.02) (B=*1986.02)								
9B	1	194115-51130	TUBE	1	1					W
		(A=*1986.02) (B=*1986.02)								
9C	1	194464-51740	EDGE 40	1	1					W
		(A=*1986.02) (B=*1986.02)								
10	1	194080-51430	INSULATOR	1	1					Z
		(A=*1986.07) (B=*1986.07)								
11	1	194190-51420	CABLE, BATTERY EARTH	1	1					
12	1	26116-080162	BOLT M 8X 16 PLATED	1	1					
12-1	1	26106-080162	BOLT M 8X 16 PLATED	1	1					N
		(A=*1990.01) (B=*1990.01)								
13	1	22137-080000	WASHER 8, POLISHED	1	1					Z
		(A=*1990.01) (B=*1990.01)								
14	1	194145-52110	SWITCH, STARTING	1	1					
15	2	194155-52190	KEY	1	1					
16	1	194145-51210	WIRE, LEAD	1	1					Z
		(A=*1983.10) (B=*1983.10)								
17	1	194130-52121	SWITCH, LIGHTING	1	1					
17-1	1	194240-52120	SWITCH, LIGHTING	1	1					S
		(A=*1983.10) (B=*1983.10)								
17A	1	194450-52150	SWITCH, STOP LAMP	1	1					W
		(A=*1983.10) (B=*1983.10)								
17B	1	194278-62530	STAY	1	1					W
		(A=*1983.10) (B=*1983.10)								
17C	1	194990-22050	NUT W/WASHER 8	1	1					W
		(A=*1983.10) (B=*1983.10)								

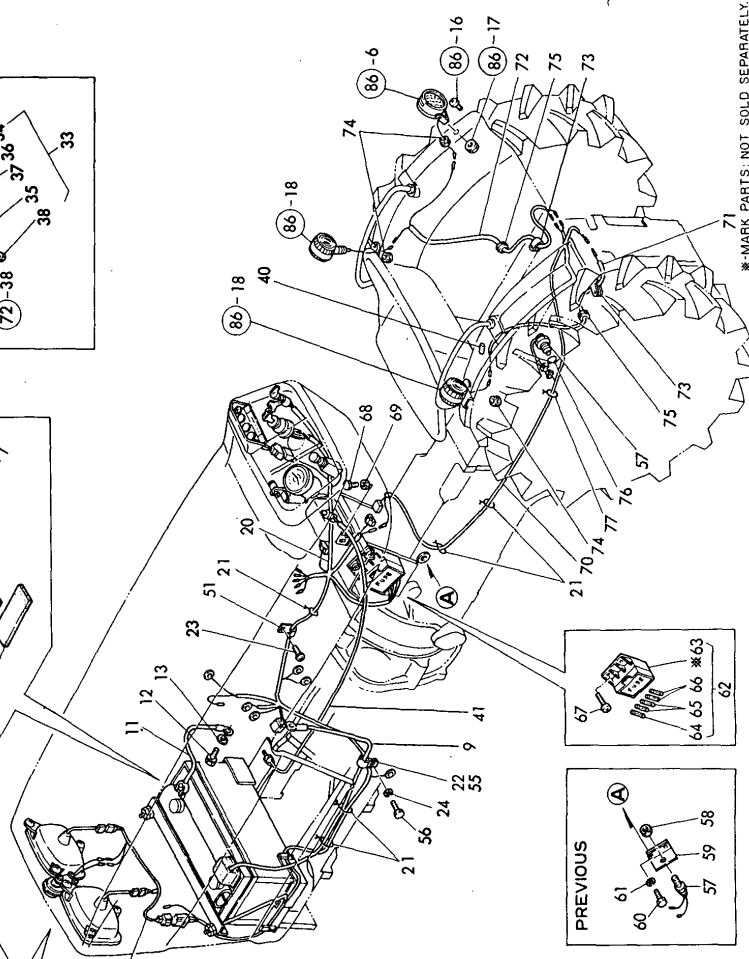
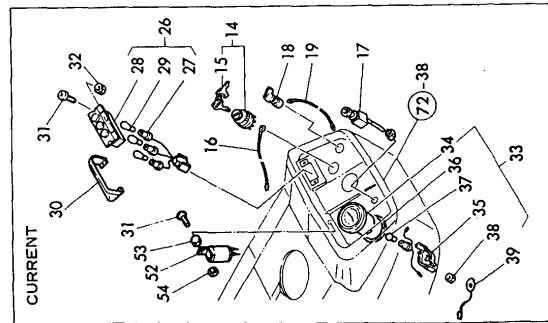
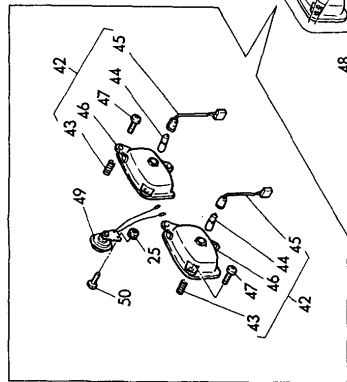
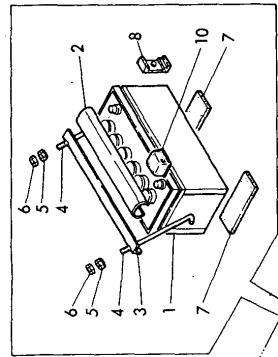
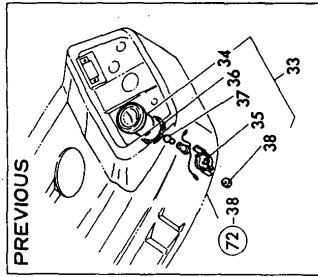
N:Old ↔ New, Q:Old ↔ New, R:Old ↔ New, S:Old ↔ New, W:Add, Z:Discontinued, F:Set Change, K:Q'ty Change  
 ++ CONTINUE ++ (C)Copy Rights YANMAR CO.,LTD and YANMAR AGRICULTURAL EQUIPMENT CO.,LTD.

Fig.70 ELECTRIC PARTS (1)

Fig.70. ELECTRIC PARTS (U.S.A.)

(A)=YM330  
(B)=YM330D  
(C)=

(D)=  
(E)=  
(F)=



\*\*MARK PARTS: NOT SOLD SEPARATELY.

Fig.70 ELECTRIC PARTS (1)

REF.	LEV.	PARTS NO.	DESCRIPTION	Q'TY						I R
				(A)	(B)	(C)	(D)	(E)	(F)	
17D	1	22137-080000 (A=*1983.10) (B=*1983.10)	WASHER 8, POLISHED	1	1					W
17E	1	26116-080202 (A=*1983.10) (B=*1983.10)	BOLT M 8X 20 PLATED	1	1					W
17F	1	26776-120002 (A=*1983.10) (B=*1983.10)	LOCK NUT M12 PLATED	1	1					W
18	1	194080-52132	SWITCH, TURN SIGNAL	1	1					Z
19	1	194150-51250 (A=*1983.10) (B=*1983.10)	WIRE, LEAD	1	1					Z
20	1	194145-51110	HARNESS (A), WIRE	1	1					S
20-1	1	194273-51110 (A=T/# 00292) (B=T/# 00623)	HARNESS (A), WIRE	1	1					S
20-2	1	194270-51110 (A=*) (B=*)	HARNESS (A), WIRE	1	1					S
20-3	1	194270-51111 (A=*1985.02) (B=*1985.02)	HARNESS (A), WIRE	1	1					S
20A	1	194312-51210 (A=*1985.02) (B=*1985.02)	WIRE, MAIN LEAD	1	1					W
20B	1	194550-51220 (A=*1985.02) (B=*1985.02)	LINK,FUSIBLE 0.85RED	1	1					W
21	1	194191-13381	WIRE	2	2					R
21-1	1	194150-51620 (A=*1980.04) (B=*1980.09)	CLAMP, WIRE HARNESS	2	2					R
21-2	1	194150-51620 (A=*) (B=*)	CLAMP, WIRE HARNESS	4	4					K
21-3	1	121750-59890 (A=*1981.09) (B=*1981.09)	RETAINER	7	7					R
21-4	1	121750-59890 (A=*1985.02) (B=*1985.02)	RETAINER	6	6					K
22	1	194145-51610	CLAMP, HARNESS	1	1					N
22-1	1	194440-51610 (A=*1983.07) (B=*1983.07)	CLAMP, HARNESS	1	1					N
23	1	26022-060142	SCREW M 6X 14	2	2					
23-1	1	26014-060162 (A=*1985.11) (B=*1985.11)	BOLT M 6X 16	2	2					R
23-2	1	26106-060122 (A=*1989.09) (B=*1989.09)	BOLT M 6X 12 PLATED	2	2					N
24	1	22217-060000	SPRING WASHER 6	1	1					
25	1	194990-22040	NUT W/WASHER 6	2	2					
26	1	194151-55100	LAMP ASSY, INDICATOR	1	1					
27	2	194151-55120	SOCKET	1	1					
28	2	194151-55110	BODY	1	1					
29	2	194155-55820	BULB 12V-1.7W	3	3					
30	1	194145-55290	HOOD, PILOT LAMP	1	1					
30-1	1	194145-55291 (A=*1981.10) (B=*1981.10)	HOOD, PILOT LAMP	1	1					R
31	1	26557-050162	SCREW M 5X 16	3	3					
32	1	194990-22030	NUT W/WASHER 5	2	2					
33	1	194274-56010	HOUR-METER ASSY	1	1					
34	2	194274-56100	HOUR-METER ASSY	1	1					
34-1	2	194274-56101	HOUR-METER ASSY	1	1					N

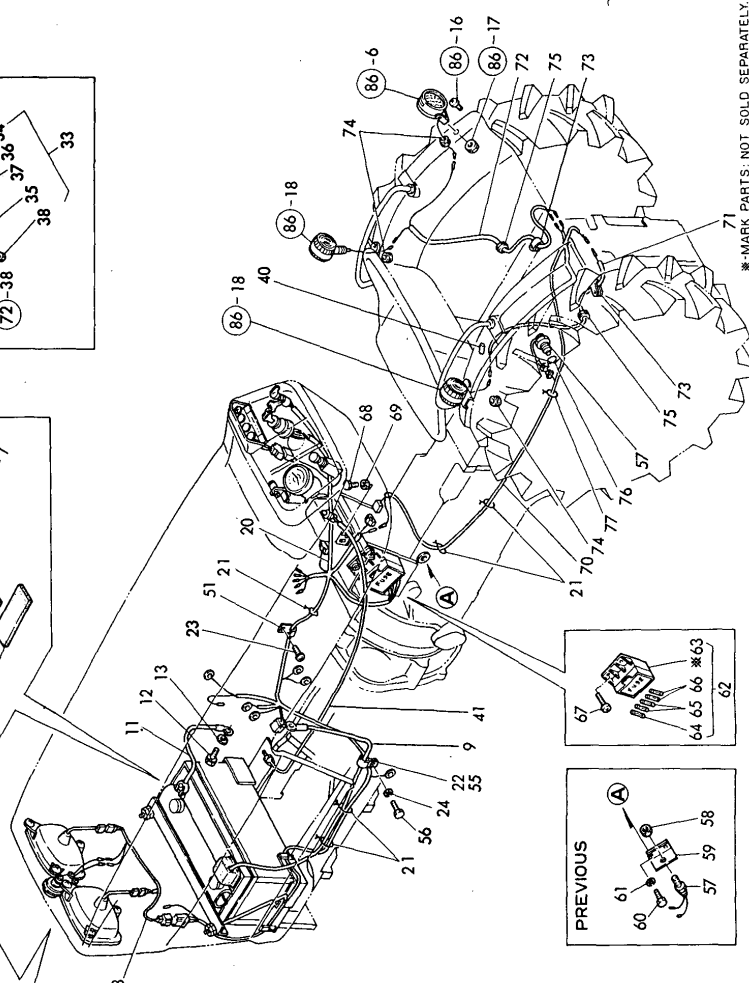
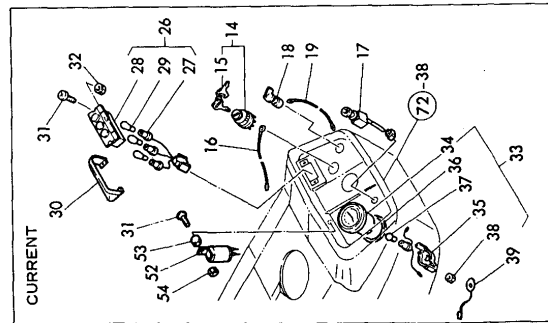
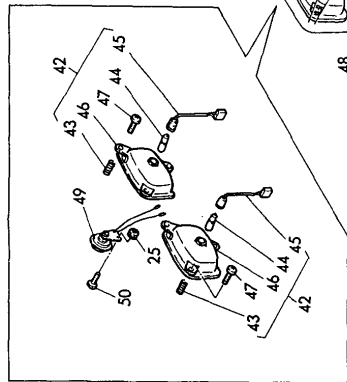
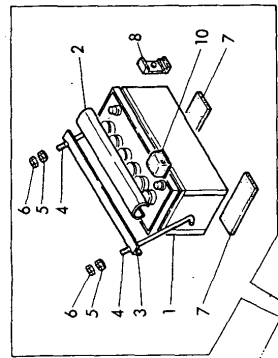
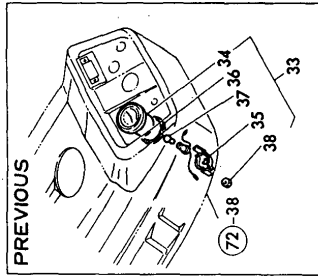
N:Old ↔ New, Q:Old ↔ New, R:Old ↔ New, S:Old ↔ New, W:Add, Z:Discontinued, F:Set Change, K:Q'ty Change  
 ++ CONTINUE ++ (C)Copy Rights YANMAR CO.,LTD and YANMAR AGRICULTURAL EQUIPMENT CO.,LTD.



Fig.70. ELECTRIC PARTS (U.S.A.)

(A)=YM330  
(B)=YM330D  
(C)=

(D)=  
(E)=  
(F)=



\*\*MARK PARTS: NOT SOLD SEPARATELY.

REF.	LEV.	PARTS NO.	DESCRIPTION	Q'TY						I	R
				(A)	(B)	(C)	(D)	(E)	(F)		
34-2	1	194370-56270	HOUR-METER ASSY	1	1						R
35	2	194080-56170	FITTING	1	1						
36	2	194080-56150	RUBBER	1	1						
37	2	194080-55840	BULB 12V-3W	1	1						
38	2	194990-22030	NUT W/WASHER 5	2	2						
39	2	194274-56120	WIRE	1	1						W
39-1	2	194274-56120	WIRE	1	1						Z
40	1	23061-070035	PIPE 7X 35	6	6						
40-1	1	23061-070035	PIPE 7X 35	10	10						K
41	1	194145-56901	CABLE, HOUR-METER	1	1						
41-1	1	194275-56900	CABLE, HOUR-METER	1	1						R
42	1	194145-53200	LIGHT ASSY, HEAD	2	2						
43	2	194145-53310	SPRING	6	6						
44	2	194155-55810	BULB 12V-35/25W	2	2						
45	2	194155-53120	SOCKET	2	2						
46	2	194145-53210	LAMP UNIT	2	2						
47	1	26557-050252	SCREW M 5X 25	6	6						
48	1	194145-51150	HARNESS (E), WIRE	1	1						
49	1	194151-57100	HORN	1	1						
50	1	26116-060122	BOLT M 6X 12	2	2						
50-1	1	26106-060122	BOLT M 6X 12 PLATED	2	2						N
51	1	194145-51650	CLAMP, HARNESS	1	1						
51-1	1	194271-51650	CLAMP, HARNESS	1	1						N
52	1	194080-57202	RELAY	1	1						
53	1	194151-57210	SPACER	1	1						
54	1	26346-050002	U-NUT M 4 PLATED	1	1						
55	1	23061-120040	PIPE 12X 40	1	1						Z
56	1	26116-060142	BOLT M6X14	2	2						
56-1	1	26116-060142	BOLT M6X14	1	1						K
57	1	194440-52190	SWITCH, SAFETY START	1	1						
57-1	1	194464-52190	SWITCH, SAFETY START	1	1						S
58	1	194240-52210	NUT M22	1	1						Z
59	1	194145-52220	STAY, SAFETY START	1	1						Z
60	1	26116-080222	BOLT M 8X 22 PLATED	2	2						Z
61	1	22217-080000	SPRING WASHER 8	2	2						Z
62	1	194145-52400	BOX ASSY, FUSE	1	1						

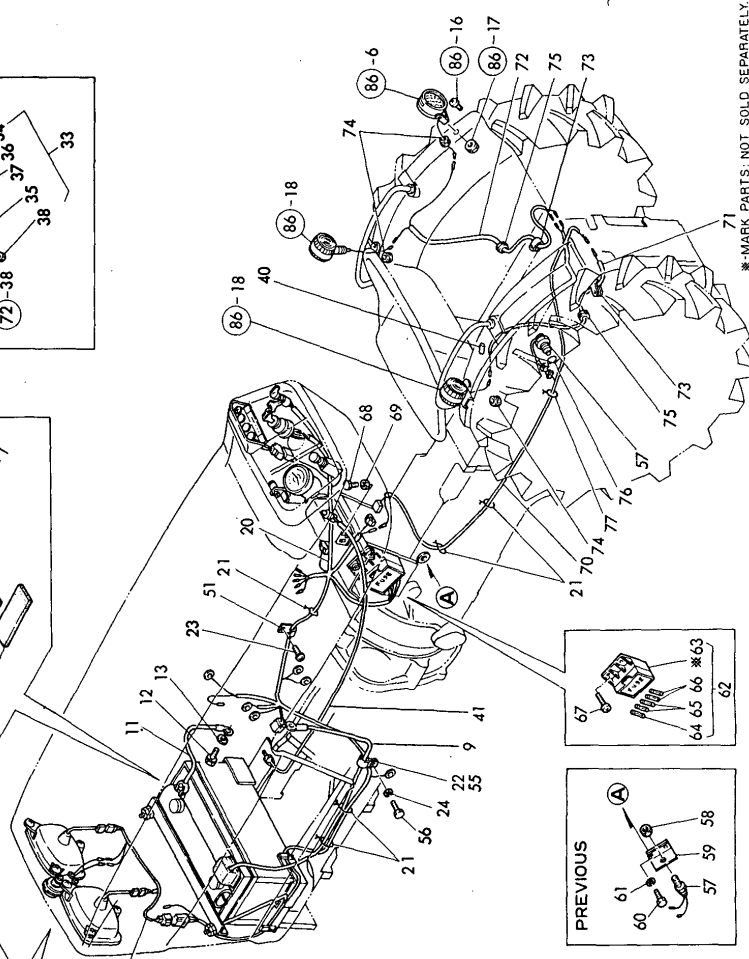
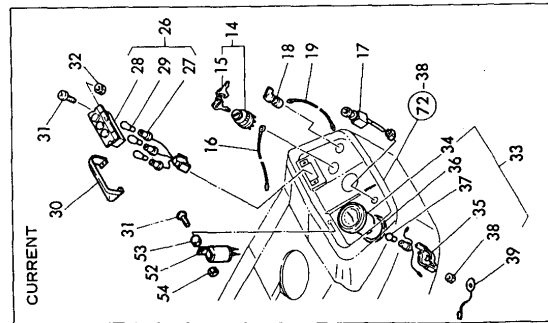
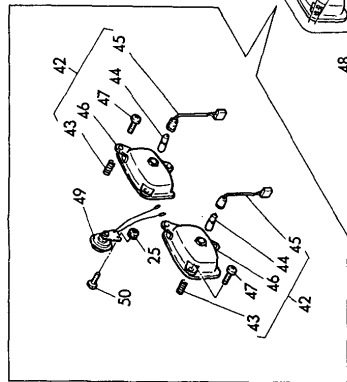
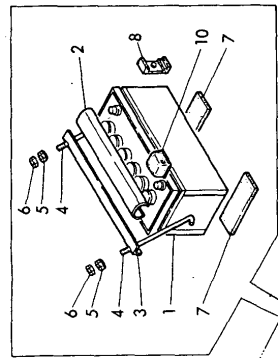
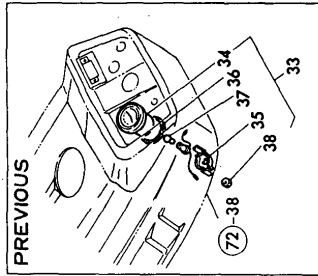
N:Old ↔ New, Q:Old ↔ New, R:Old ↔ New, S:Old ↔ New, W:Add, Z:Discontinued, F:Set Change, K:Q'ty Change  
 ++ CONTINUE ++  
 (C)Copy Rights YANMAR CO.,LTD and YANMAR AGRICULTURAL EQUIPMENT CO.,LTD.

Fig.70 ELECTRIC PARTS (1)

Fig.70. ELECTRIC PARTS (U.S.A.)

(A)=YM330  
(B)=YM330D  
(C)=

(D)=  
(E)=  
(F)=



\*\*MARK PARTS: NOT SOLD SEPARATELY.

REF.	LEV.	PARTS NO.	DESCRIPTION	Q'TY						I	R
				(A)	(B)	(C)	(D)	(E)	(F)		
62-1	1	194440-52400 (A=*1981.10) (B=*1981.10)	BOX ASSY, FUSE	1	1						R
64	2	194145-52820	FUSE 5A	1	1						
64-1	2	29411-050000 (A=*1987.04) (B=*1987.04)	FUSE ( 5A),CARTRIDGE	1	1						N
65	2	194145-52830	FUSE 10A	2	2						
65-1	2	29411-100000 (A=*1987.04) (B=*1987.04)	FUSE (10A),CARTRIDGE	2	2						N
66	2	194145-52840	FUSE 15A	2	2						
66-1	2	29411-150000 (A=*1987.04) (B=*1987.04)	FUSE (15A),CARTRIDGE	2	2						N
67	1	26587-060202	SCREW M 6X 20	2	2						
68	1	26557-060122	SCREW M 6X 12,PAN HD	2	2						
69	1	194990-22130	NUT W/WASHER 6	2	2						
70	1	194145-51120	HARNESS (B), WIRE	1	1						
70-1	1	194273-51120 (A=T/# 00292) (B=T/# 00623)	HARNESS (B), WIRE	1	1						S
70-2	1	194270-51120 (A=*1983.10) (B=*1983.10)	HARNESS (B), WIRE	1	1						S
71	1	194145-51130	HARNESS (C), WIRE	1	1						
71-1	1	194242-51130 (A=*1983.10) (B=*1983.10)	HARNESS (C), WIRE	1	1						S
72	1	194145-51140	HARNESS (D), WIRE	1	1						
72-1	1	194145-51140 (A=*1983.10) (B=*1983.10)	HARNESS (D), WIRE	1	1						S
72-2	1	194270-51141 (A=*1984.05) (B=*1984.05)	HARNESS(D),WIRE	1	1						R
72A	1	194242-51660 (A=*1983.10) (B=*1983.10)	CLAMP, HARNESS	4	4						W
73	1	194145-51180	PLATE, EARTH	2	2						
74	1	194080-58810	GROMMET 8	3	3						
74-1	1	194080-58810 (A=*1983.06) (B=*1983.06)	GROMMET 8	1	1						K
75-1	1	194080-58820	GROMMET 15	2	2						
75-2	1	194080-58820 (A=*1983.06) (B=*1983.06)	GROMMET 15	4	4						K
76	1	24341-000240 (A=T/# 00292) (B=T/# 00623)	O-RING 1A S-24.0	1	1						W
77	1	194250-51660	BAND 250	1	1						W
77-1	1	194250-51660 (A=T/# 00292) (B=T/# 00623)	BAND 250	2	2						K
78	1	194270-51701 (A=*1985.02) (B=*1985.02)	BRACKET, SOCKET	1	1						W
79	1	194242-51820 (A=*1985.02) (B=*1985.02)	HARNESS, SOCKET	1	1						W
80	1	26013-120202 (A=*1985.02) (B=*1984.02)	BOLT W/WASHER M12X20	2	2						W

Fig.70 ELECTRIC PARTS (1)

Fig.71. ELECTRIC PARTS (PORTUGAL)

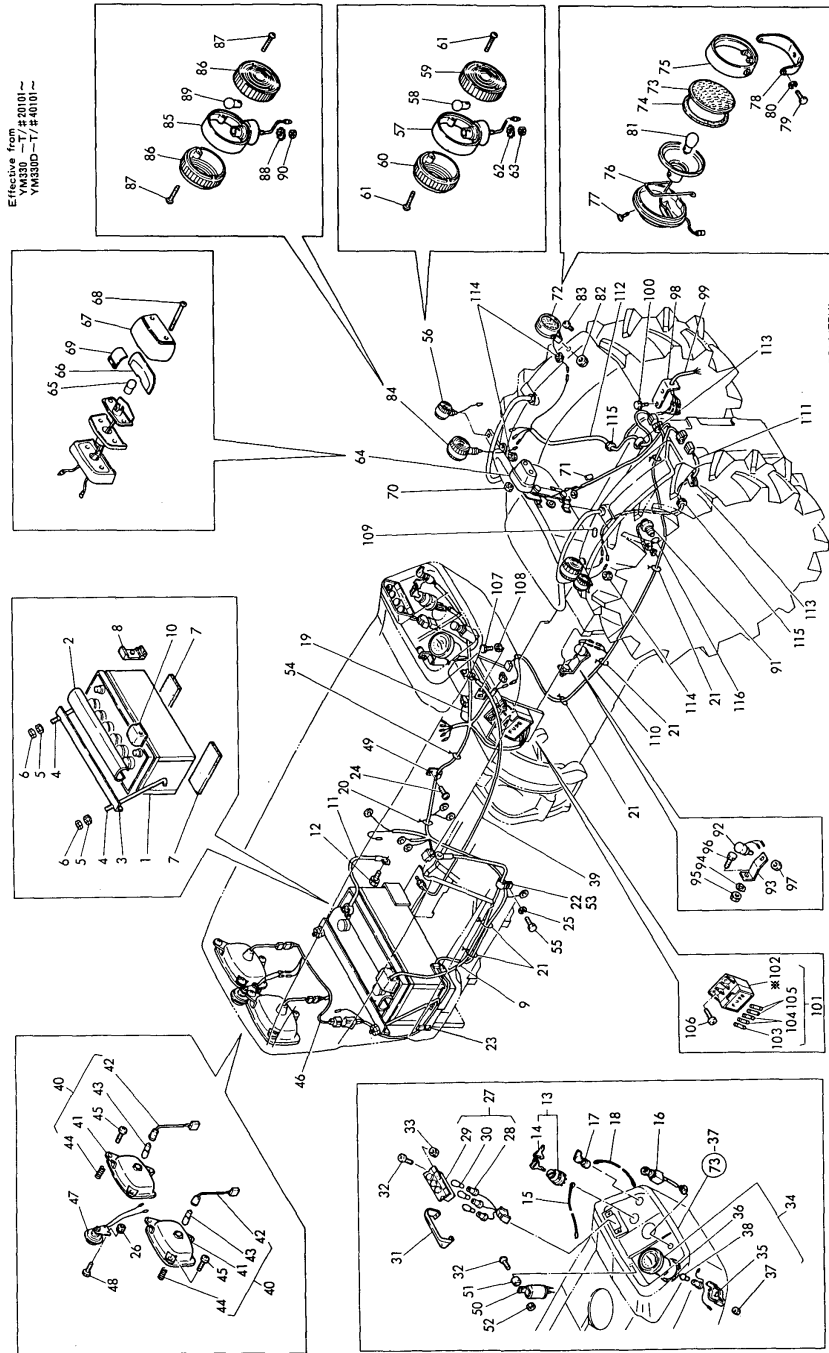
(A)=YM330  
(B)=YM330D  
(C)=

(D)=  
(E)=  
(F)=

REF.	LEV.	PARTS NO.	DESCRIPTION	Q'TY						I	R
				(A)	(B)	(C)	(D)	(E)	(F)		
1	1	194275-51510	BATTERY (N100), DRY	1	1						
2	1	194145-51550	COVER, BATTERY	1	1						
3	1	194145-51560	CLAMP, BATTERY	1	1						
4	1	194145-51570	ROD, BATTERY CLAMP	2	2						
5	1	194990-22140	NUT W/WASHER 8	2	2						
6	1	26716-080002	NUT M 8	2	2						
7	1	194151-04260	GASKET, RUBBER	2	2						
8	1	194320-51580	CUSHION (RUBBER)	2	2						
9	1	194080-51411	CABLE, BATTERY	1	1						
10	1	194080-51430	INSULATOR	1	1						
11	1	194190-51420	CABLE, BATTERY EARTH	1	1						
12	1	26013-080162	BOLT W/WASHER M8X16	1	1						
13	1	194145-52110	SWITCH, STARTING	1	1						
14	2	194155-52190	KEY	1	1						
15	1	194145-51210	WIRE, LEAD	1	1						
16	1	194240-52120	SWITCH, LIGHTING	1	1						
17	1	194080-52132	SWITCH, TURN SIGNAL	1	1						
18	1	194150-51250	WIRE, LEAD	1	1						
19	1	194270-51110	HARNESS (A), WIRE	1	1						
20	1	194250-51660	BAND 250	1	1						
21	1	121750-59890	RETAINER	6	6						
22	1	194145-51610	CLAMP, HARNESS	1	1						
23	1	23061-070035	PIPE 7X 35	3	3						
24	1	26022-060142	SCREW M 6X 14	2	2						
25	1	22217-060000	SPRING WASHER 6	1	1						
26	1	194990-22040	NUT W/WASHER 6	2	2						
27	1	194151-55100	LAMP ASSY, INDICATOR	1	1						
28	2	194151-55120	SOCKET	1	1						
29	2	194151-55110	BODY	1	1						
30	2	194155-55820	BULB 12V-1.7W	3	3						
31	1	194145-55290	HOOD, PILOT LAMP	1	1						
31-1	1	194145-55291	HOOD, PILOT LAMP	1	1						R
32	1	26557-050162	SCREW M 5X 16	3	3						
33	1	194990-22030	NUT W/WASHER 5	2	2						
34	1	194274-56101	HOUR-METER ASSY	1	1						
35	2	194080-56170	FITTING	1	1						
36	2	194080-56150	RUBBER	1	1						
37	2	194990-22030	NUT W/WASHER 5	2	2						
38	2	194080-55840	BULB 12V-3W	1	1						
39	1	194145-56901	CABLE, HOUR-METER	1	1						
39-1	1	194275-56900	CABLE, HOUR-METER	1	1						R
40	1	194145-53200	LIGHT ASSY, HEAD	2	2						
41	2	194145-53210	LAMP UNIT	2	2						
42	2	194155-53120	SOCKET	2	2						
43	2	194155-55810	BULB 12V-35/25W	2	2						
44	2	194145-53310	SPRING	6	6						
45	1	26557-050252	SCREW M 5X 25	6	6						
46	1	194145-51150	HARNESS (E), WIRE	1	1						
47	1	194151-57100	HORN	1	1						
48	1	26116-060122	BOLT M 6X 12	2	2						
49	1	194145-51650	CLAMP, HARNESS	1	1						

N:Old ↔ New, Q:Old ↔ New, R:Old ↔ New, S:Old ↔ New, W:Add, Z:Discontinued, F:Set Change, K:Q'ty Change  
++ CONTINUE ++ (C)Copy Rights YANMAR CO.,LTD and YANMAR AGRICULTURAL EQUIPMENT CO.,LTD.

Fig.71 ELECTRIC PARTS (2)



Effective from #0101-  
YMA330D-17#40101-

Fig.71. ELECTRIC PARTS (PORTUGAL)

(A)=YM330  
(B)=YM330D  
(C)=

(D)=  
(E)=  
(F)=

REF.	LEV.	PARTS NO.	DESCRIPTION	Q'TY						I	R
				(A)	(B)	(C)	(D)	(E)	(F)		
50	1	194080-57202	RELAY	1	1						
51	1	194151-57210	SPACER	1	1						
52	1	26346-050002	U-NUT M 4 PLATED	1	1						
53	1	23061-120040	PIPE 12X 40	1	1						
54	1	194242-51660	CLAMP, WIRE HARNESS	4	4						
55	1	26116-060142	BOLT M6X14	1	1						
56	1	194242-53600	LAMP ASSY, STOP	2	2						
58	2	194242-53620	BULB 12V-21/5W	2	2						
59	2	194242-53630	LENS (RED)	2	2						
60	2	194242-53640	LENS (CLEAR)	2	2						
61	2	194242-55430	SCREW	8	8						
62	2	194242-55440	WASHER 12	2	2						
63	2	26786-120002	LOCK NUT M12	2	2						
64	1	194450-53800	LAMP ASSY, LICENCE	1	1						
65	2	194450-53810	BULB 12V-10W	1	1						
66	2	194450-53820	LENS	1	1						
67	2	194450-53830	COVER, LAMP	1	1						
68	2	194450-53870	SCREW 5X 70	2	2						
69	2	194450-53880	SHADE	1	1						
70	1	194990-22030	NUT W/WASHER 5	2	2						
71	1	23061-070035	PIPE 7X 35	3	3						
72	1	794081-54101	LAMP ASSY, WORKING	1	1						
73	2	194081-54110	LENS	1	1						
74	2	194081-54120	GASKET	1	1						
75	2	194081-54131	RIM	1	1						
76	2	194081-54151	SPRING	3	3						
77	2	194081-54210	SCREW	1	1						
78	2	194081-54221	STAY	1	1						
79	2	194081-54230	BOLT M6X 12	2	2						
80	2	194081-54240	SPRING WASHER 6	2	2						
81	2	194081-55820	BULB 12V-20W	1	1						
82	1	194990-22050	NUT W/WASHER 8	1	1						
83	1	26587-080162	SCREW M 8X 16	1	1						
84	1	194242-53400	LAMP ASSY, FLASHER	2	2						
86	2	194242-55420	LENS	4	4						
87	2	194242-55430	SCREW	8	8						
88	2	194242-55440	WASHER 12	2	2						
89	2	194081-55820	BULB 12V-20W	2	2						
90	2	26786-120002	LOCK NUT M12	2	2						
91	1	194464-52190	SWITCH, SAFETY START	1	1						
92	1	194450-52150	SWITCH, STOP LAMP	1	1						
93	1	194278-62530	STAY	1	1						
94	1	22137-080000	WASHER 8, POLISHED	1	1						
95	1	194990-22050	NUT W/WASHER 8	1	1						
96	1	26116-080202	BOLT M 8X 20 PLATED	1	1						
97	1	26776-120002	LOCK NUT M12 PLATED	1	1						
98	1	194270-51700	BRACKET, SOCKET	1	1						
98-1	1	194270-51701	BRACKET, SOCKET	1	1						R
99	1	194242-51820	HARNESS, SOCKET	1	1						
100	1	26013-120222	BOLT M12X 22	2	2						
101	1	194145-52400	BOX ASSY, FUSE	1	1						

Effective from  
Y00T2341-1/1#4001-  
Y00T2341-1/1#4001-

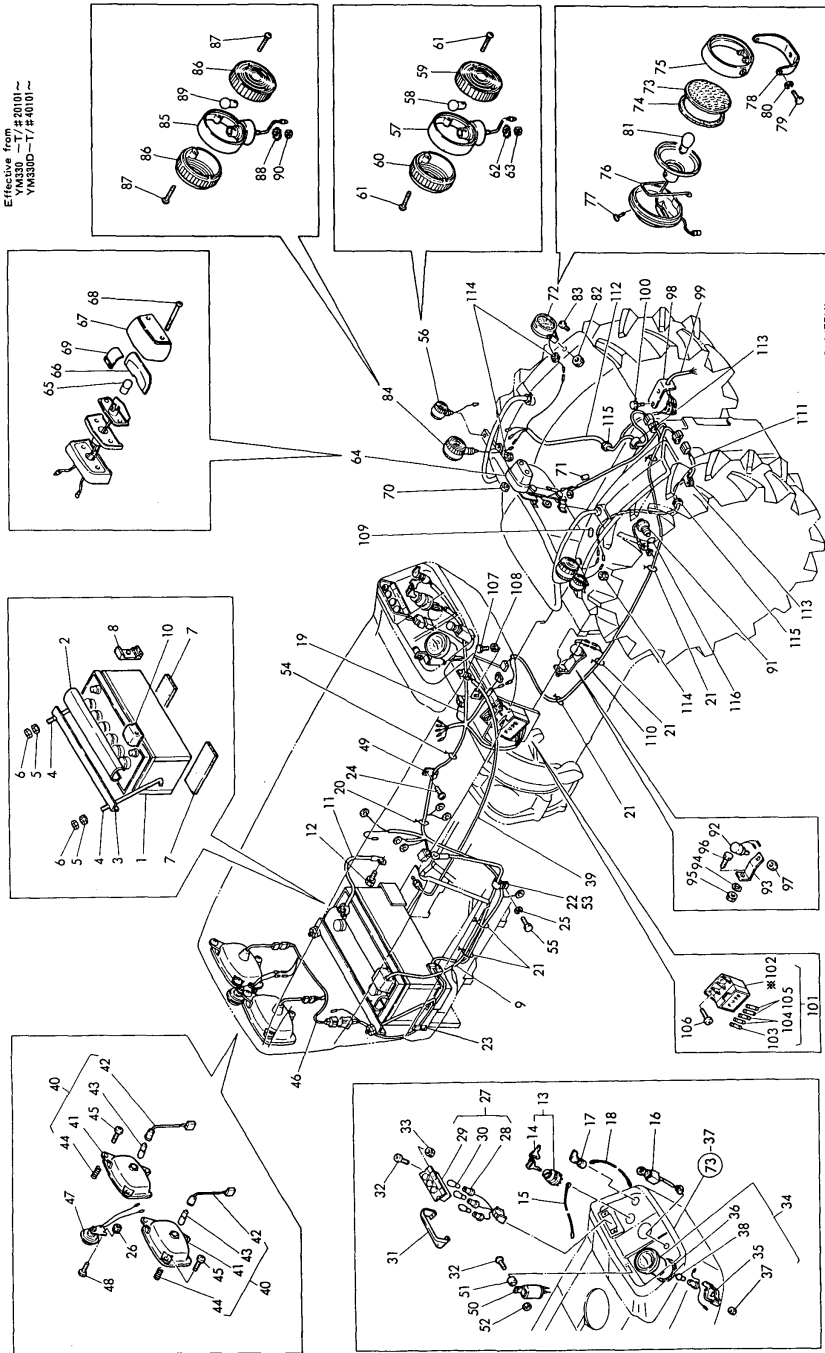


Fig.71 ELECTRIC PARTS (2)

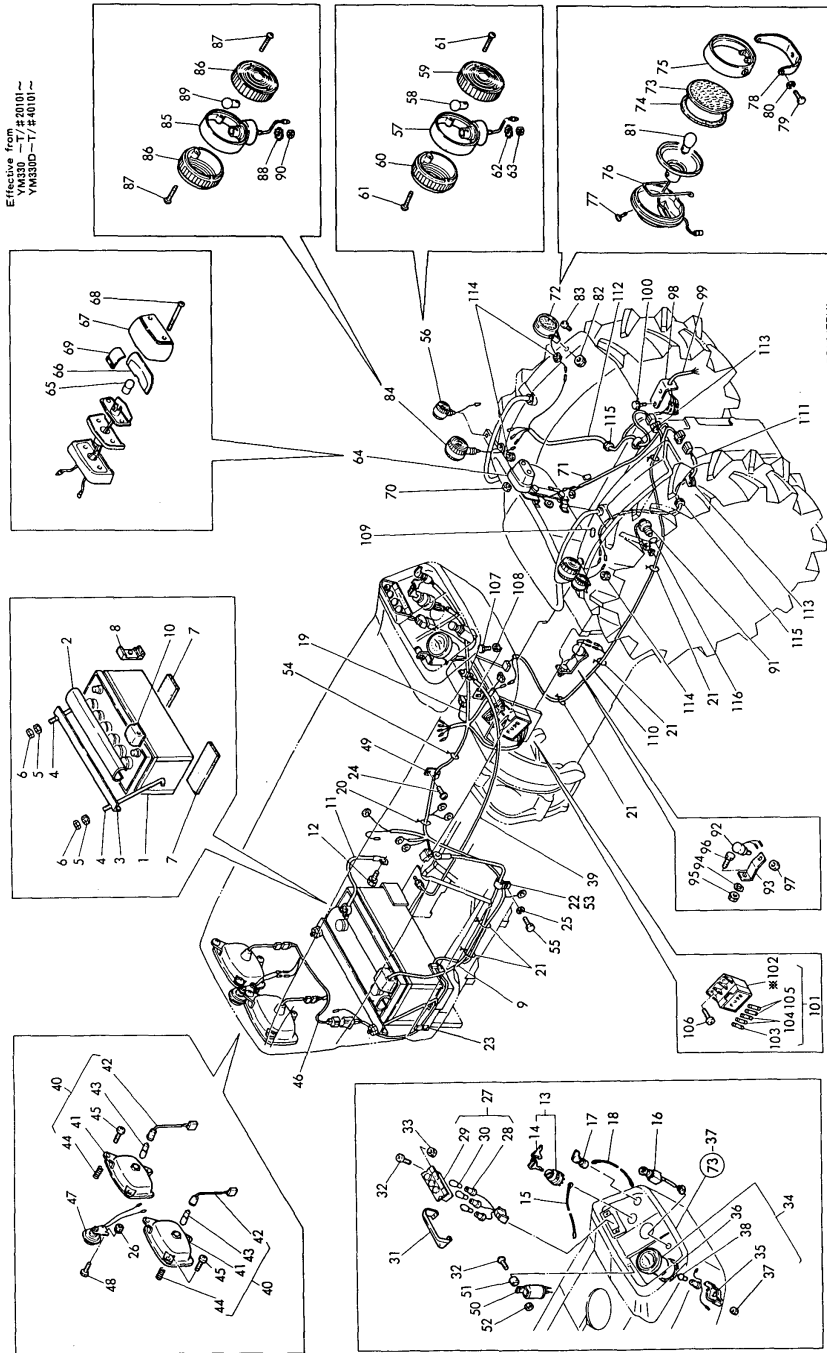
Fig.71. ELECTRIC PARTS (PORTUGAL)

(A)=YM330  
(B)=YM330D  
(C)=

(D)=  
(E)=  
(F)=

REF.	LEV.	PARTS NO.	DESCRIPTION	Q'TY						I R
				(A)	(B)	(C)	(D)	(E)	(F)	
101-1	1	194440-52400	BOX ASSY, FUSE	1	1					R
103	2	194145-52820	FUSE 5A	1	1					
104	2	194145-52830	FUSE 10A	2	2					
105	2	194145-52840	FUSE 15A	2	2					
106	1	26587-060202	SCREW M 6X 20	2	2					
107	1	26557-060122	SCREW M 6X 12,PAN HD	2	2					
108	1	194990-22130	NUT W/WASHER 6	2	2					
109	1	23061-070035	PIPE 7X 35	2	2					
110	1	194270-51120	HARNESS (B), WIRE	1	1					
111	1	194242-51130	HARNESS (C), WIRE	1	1					
112	1	194270-51140	HARNESS (D), WIRE	1	1					
113	1	194145-51180	PLATE, EARTH	2	2					
114	1	194080-58810	GROMMET 8	3	3					
115	1	194080-58820	GROMMET 15	2	2					
116	1	24341-000240	O-RING 1A S-24.0	1	1					

Fig.71 ELECTRIC PARTS (2)



\*MARK PARTS; NOT SOLD SEPARATELY.

Fig.72. HOOD (U.S.A.)

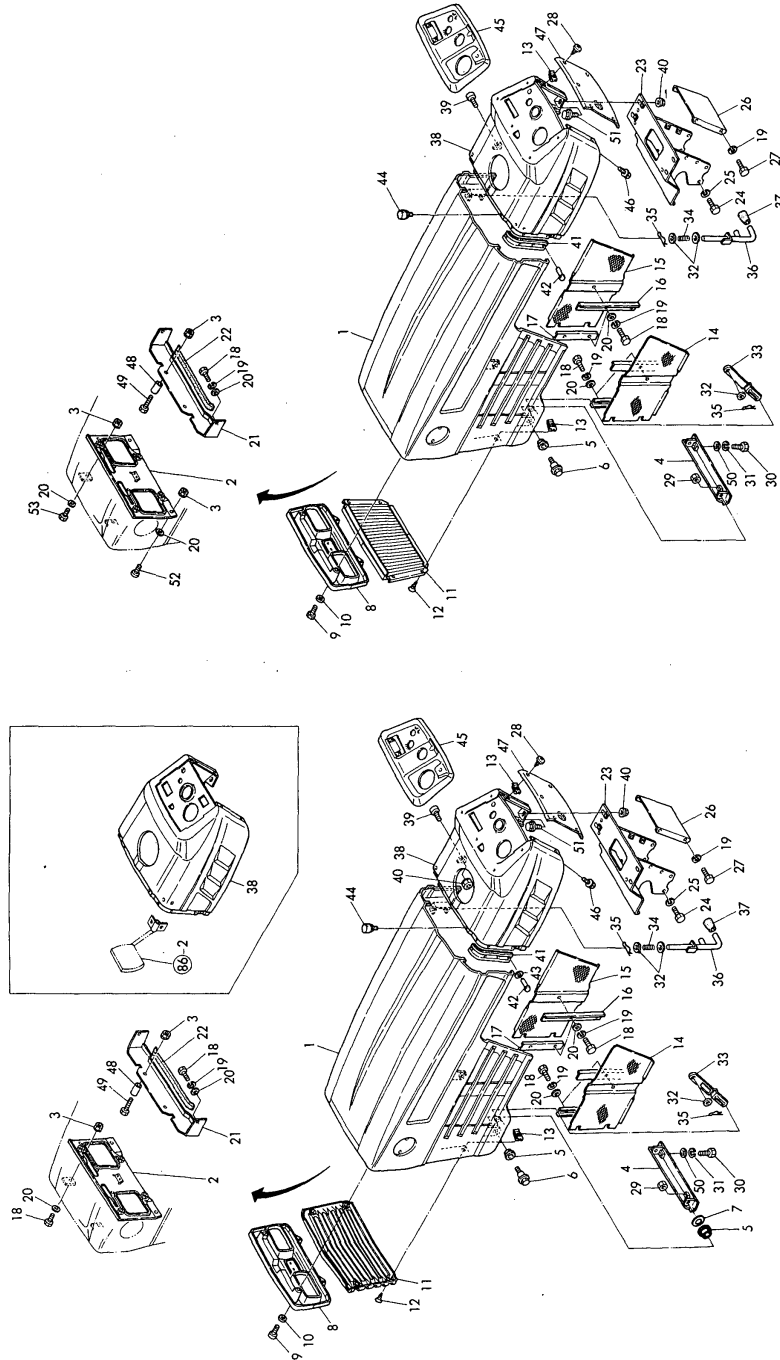


Fig.72 HOOD (I)

(A)=YM330  
(B)=YM330D  
(C)=

(D)=  
(E)=  
(F)=

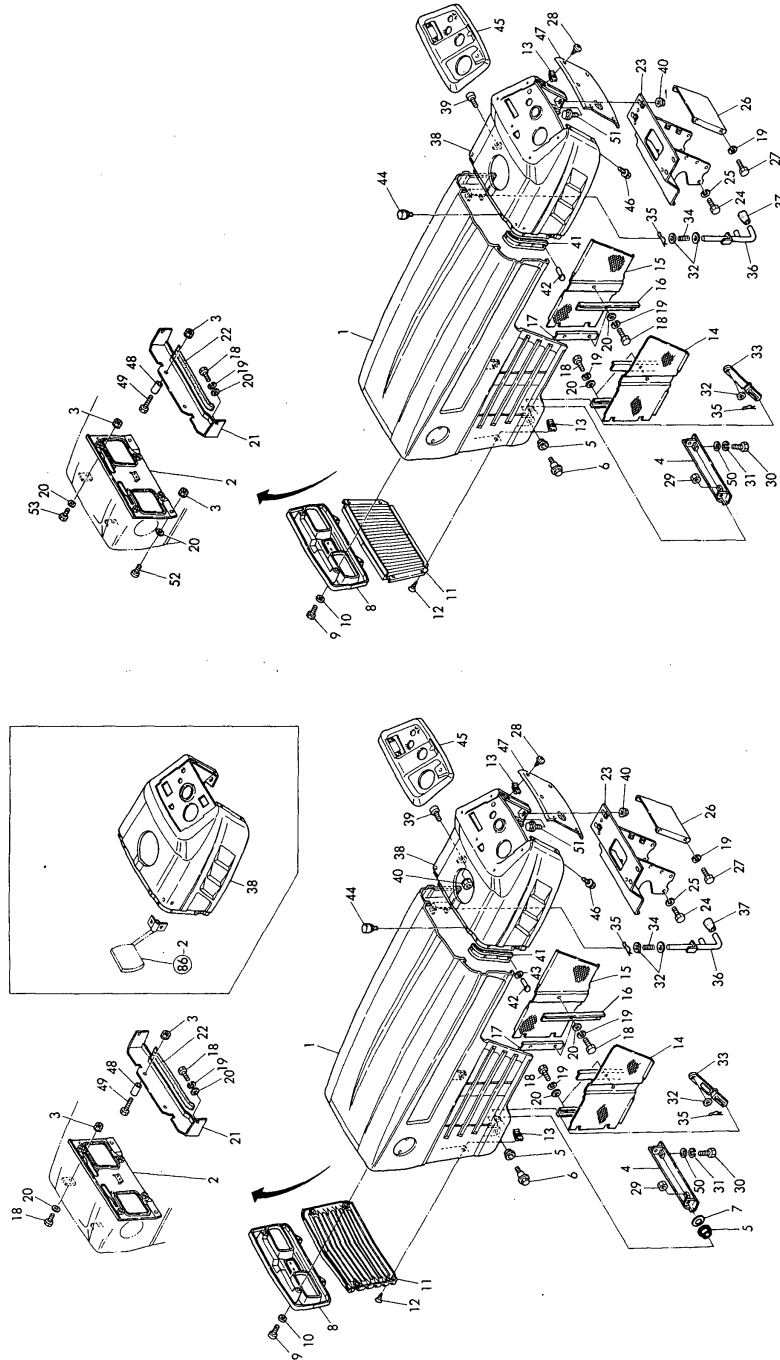
REF.	LEV.	PARTS NO.	DESCRIPTION	Q'TY						I R
				(A)	(B)	(C)	(D)	(E)	(F)	
1	1	194320-61100-P	HOOD	1	1					
2	1	194145-61282-P	BRACKET	1	1					
2-1	1	194324-61280-P	BRACKET	1	1					N
3	1	(A=*1983.09) 194990-22040	(B=*1983.09) NUT W/WASHER 6	6	6					
4	1	194145-61322-X	HINGE, HOOD	1	1					
5	1	194155-61250	BUSH, HINGE	4	4					
5-1	1	(A=*1980.09) 194155-61251	(B=*1980.09) BUSH, HINGE	2	2					S
6	1	194155-61240	BOLT, HINGE	2	2					
6-1	1	(A=*) 194155-61241	(B=*) BOLT, HINGE	2	2					R
7	1	(A=*) 22137-140000	(B=*) WASHER 14,POLISHED	2	2					Z 1
8	1	194145-61252	GRILLE, FRONT	1	1					
9	1	26557-050202	SCREW M 5X 20	4	4					
10	1	23418-050000	GASKET 5, NYLON	4	4					
11	1	194145-61370-P	GRILLE, FRONT	1	1					
11-1	1	(A=*1982.09) 194370-61371-P	(B=*1982.09) GRILLE, FRONT	1	1					N
12	1	194145-61680	SCREW	4	4					
13	1	194145-61650	NUT M5	9	9					
14	1	194145-61192-X	SCREEN (L)	1	1					
14-1	1	194322-61190-P	SCREEN (L)	1	1					N
15	1	(A=*1981.04) 194145-61352-X	(B=*1981.04) SCREEN (R)	1	1					
15-1	1	194322-61350-P	SCREEN (R)	1	1					N
16	1	(A=*1981.04) 194145-61212-P	(B=*1981.04) RETAINER	2	2					
16-1	1	194370-61200	SUPPORT (R)	1	1					S
16A	1	(A=*1985.09) 194370-61190	(B=*1985.09) SUPPORT (L)	1	1					W
17	1	194145-61242-P	RETAINER	2	2					
17-1	1	(A=*1985.09) 194370-61240	(B=*1985.09) SUPPORT (R)	1	1					S
17A	1	(A=*1985.09) 194370-61230	(B=*1985.09) SUPPORT (L)	1	1					W
18	1	26116-060122	BOLT M 6X 12	16	16					
19	1	22217-060000	SPRING WASHER 6	16	16					
20	1	22137-060000	WASHER 6, POLISHED	16	16					
21	1	194370-61160-P	PLATE	1	1					
21-1	1	(A=*1985.09) 194370-61170	(B=*1985.09) PLATE, AIR CUT	1	1					S
22	1	194370-61990	SUPPORT	1	1					
23	1	194273-61660-P	BRACKET, PANEL	1	1					
23-1	1	(A=T/# 00292) 194273-61661-X	(B=T/# 00486) STAY, PANEL	1	1					S
24	1	26116-080142	BOLT M 8X 14 PLATED	8	8					
24-1	1	(A=*) 26116-080142	(B=*) BOLT M 8X 14 PLATED	4	4					K

N:Old ↔ New, Q:Old ↔ New, R:Old ↔ New, S:Old ↔ New, W:Add, Z:Discontinued, F:Set Change, K:Q'ty Change  
++ CONTINUE ++ (C)Copy Rights YANMAR CO.,LTD and YANMAR AGRICULTURAL EQUIPMENT CO.,LTD.

Fig.72. HOOD (U.S.A.)

(A)=YM330  
(B)=YM330D  
(C)=

(D)=  
(E)=  
(F)=



REF.	LEV.	PARTS NO.	DESCRIPTION	Q'TY						I R
				(A)	(B)	(C)	(D)	(E)	(F)	
24-2	1	26106-080162	BOLT M 8X 16 PLATED	4	4					N
		(A=*1990.02) (B=*1990.02)								
25	1	22217-080000	SPRING WASHER 8	4	4					Z
		(A=*1990.02) (B=*1990.02)								
26	1	194145-61671-P	COVER	1	1					
27	1	26116-060142	BOLT M6X14	4	4					
27-1	1	194155-05210	BOLT W/WASHER M6X16	4	4					N
		(A=*1982.04) (B=*1982.04)								
28	1	194145-61640	SCREW M 5X 16	5	5					
28-1	1	194420-61640	SCREW M 5X 16	5	5					R
		(A=*) (B=*)								
29	1	26346-120002	U-NUT M12 PLATED	2	2					
29-1	1	26716-120002	NUT M12	2	2					N
		(A=*) (B=*)								
30	1	26116-100252	BOLT M10X 25 PLATED	2	2					
30-1	1	26013-100202	BOLT W/WASHER M10X20	2	2					N
		(A=*) (B=*)								
31	1	22217-100000	SPRING WASHER 10	2	2					Z
		(A=*) (B=*)								
32	1	22137-100000	WASHER 10,POLISHED	5	5					
33	1	194145-61330-P	STOPPER, HOOD	1	1					
33-1	1	194370-61330	STOPPER, HOOD	1	1					S
		(A=*1985.08) (B=*1985.08)								
34	1	194151-61831	SPRING	2	2					
35	1	22360-100000	SNAP PIN 10	3	3					
36	1	194145-61821	LEVER, LOCK	2	2					
37	1	194150-01190	KNOB, THROTTLE LEVER	2	2					
38	1	194145-61501-P	DASHBOARD ASSY	1	1					
38A	1	194273-61500-P	DASHBOARD ASSY	1	1					2
38A-1	1	194273-61501-P	DASHBOARD ASSY	1	1					S 2
		(A=*1981.08) (B=*1981.08)								
39	1	26587-080122	SCREW M 8X 12	2	2					
40	1	194990-22140	NUT W/WASHER 8	6	6					
40-1	1	194990-22140	NUT W/WASHER 8	4	4					K
		(A=*) (B=*)								
41	1	194145-61550	GASKET, HOOD	2	2					
41-1	1	194145-61551	GASKET, HOOD	2	2					F 3
		(A=*) (B=*)								
42	1	194130-61560	RIVET 5X8	8	8					
42-1	1	194190-61560	RIVET 5X6	8	8					F 3
		(A=*) (B=*1980.04)								
43	1	22137-050000	WASHER 5, POLISHED	8	8					Z 3
		(A=*) (B=*)								
44	1	194145-61560	RUBBER, CUSHION	2	2					
45	1	194145-61610	PANEL, DASHBOARD	1	1					
46	1	26023-040102	SCREW M 4X 10	6	6					
47	1	194145-61620	COVER, DASHBOARD	1	1					
48	1	194273-61180	COLLAR 6.9X10.5X30	2	2					Z
		(A=*1985.09) (B=*1985.09)								
49	1	26116-060452	BOLT M 6X 45 PLATED	2	2					
49-1	1	26116-060252	BOLT M 6X 25	2	2					S

N:Old ↔ New, Q:Old ↔ New, R:Old ↔ New, S:Old ↔ New, W:Add, Z:Discontinued, F:Set Change, K:Q'ty Change  
++ CONTINUE ++  
(C)Copy Rights YANMAR CO.,LTD and YANMAR AGRICULTURAL EQUIPMENT CO.,LTD.

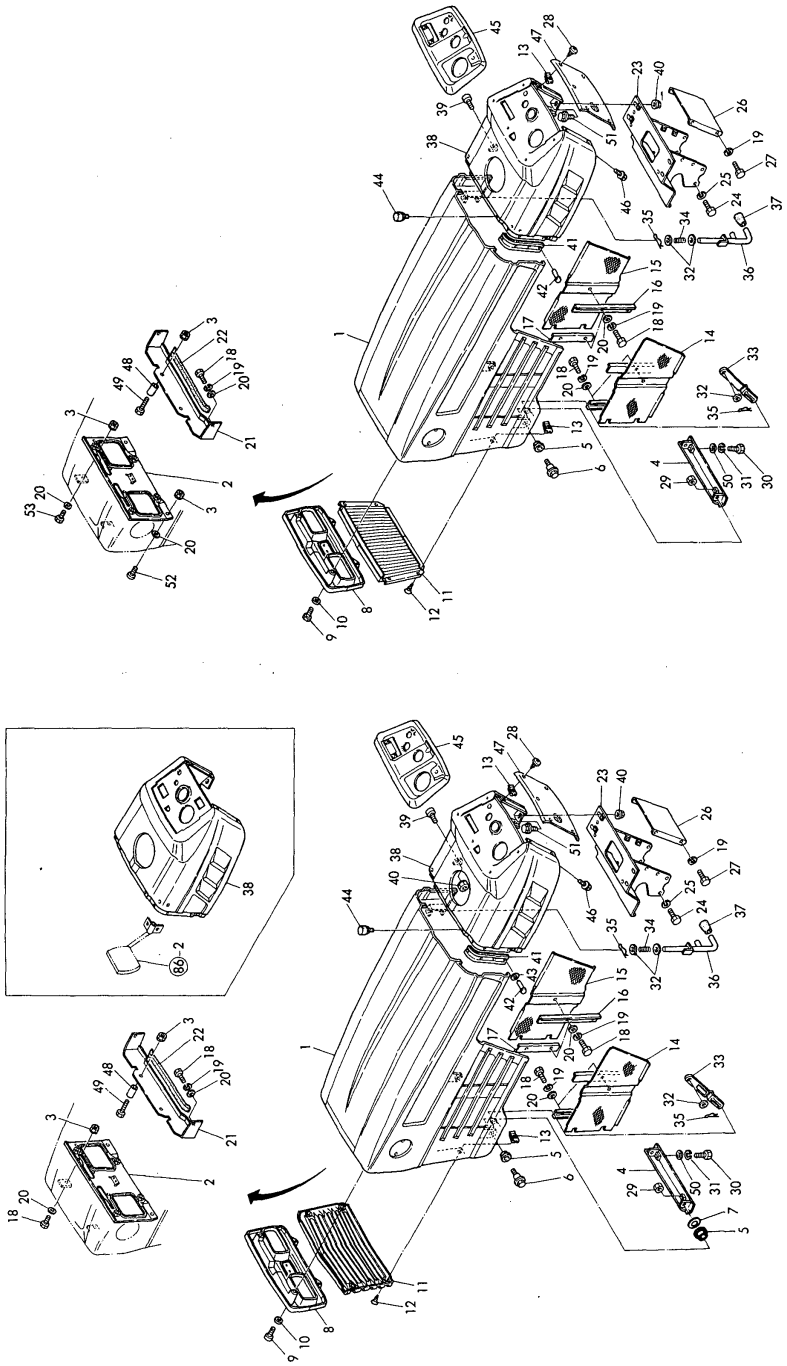
Fig.72 HOOD (1)

Fig.72. HOOD (U.S.A.)

Y00T2341 72. HOOD (U.S.A.)

(A)=YM330  
(B)=YM330D  
(C)=

(D)=  
(E)=  
(F)=



REF.	LEV.	PARTS NO.	DESCRIPTION	Q'TY						I	R	
				(A)	(B)	(C)	(D)	(E)	(F)			
		(A=*1985.09) (B=*1985.09)										
49-2	1	26106-060252	BOLT M 6X 25 PLATED	2	2							N
		(A=*1989.09) (B=*1989.09)										
50	1	194145-61570	WASHER 10	2	2							
51	1	26011-080162	BOLT M 8X 16	4	4							
51-1	1	26106-080162	BOLT M 8X 16 PLATED	4	4							N
		(A=*1990.02) (B=*1990.02)										

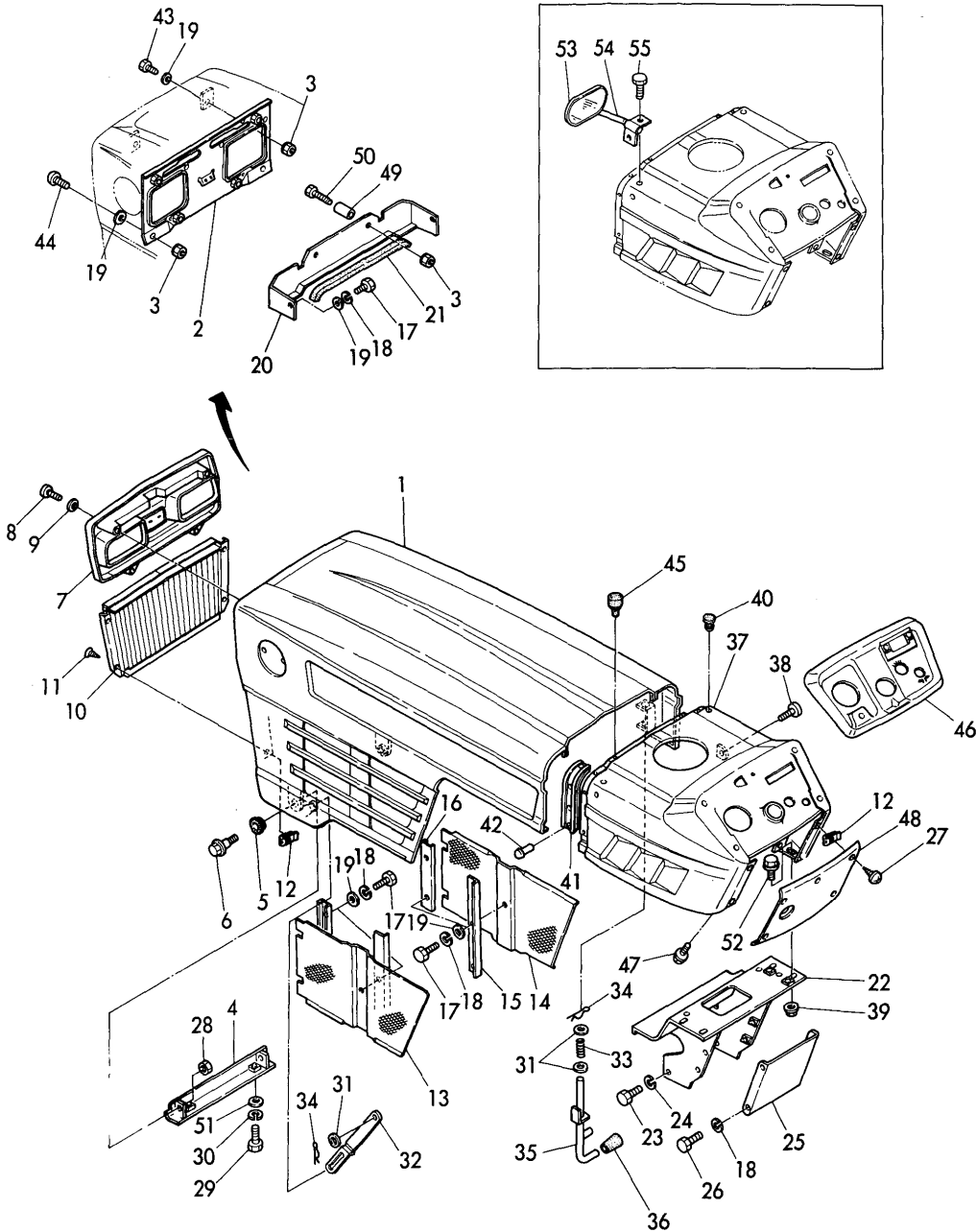
Fig.72 HOOD (1)

N:Old ↔ New, Q:Old ↔ New, R:Old ↔ New, S:Old ↔ New, W:Add, Z:Discontinued, F:Set Change, K:Q'ty Change  
(C)Copy Rights YANMAR CO.,LTD and YANMAR AGRICULTURAL EQUIPMENT CO.,LTD.



Fig.73. HOOD (PORTUGAL)

Fig.73 HOOD (2)



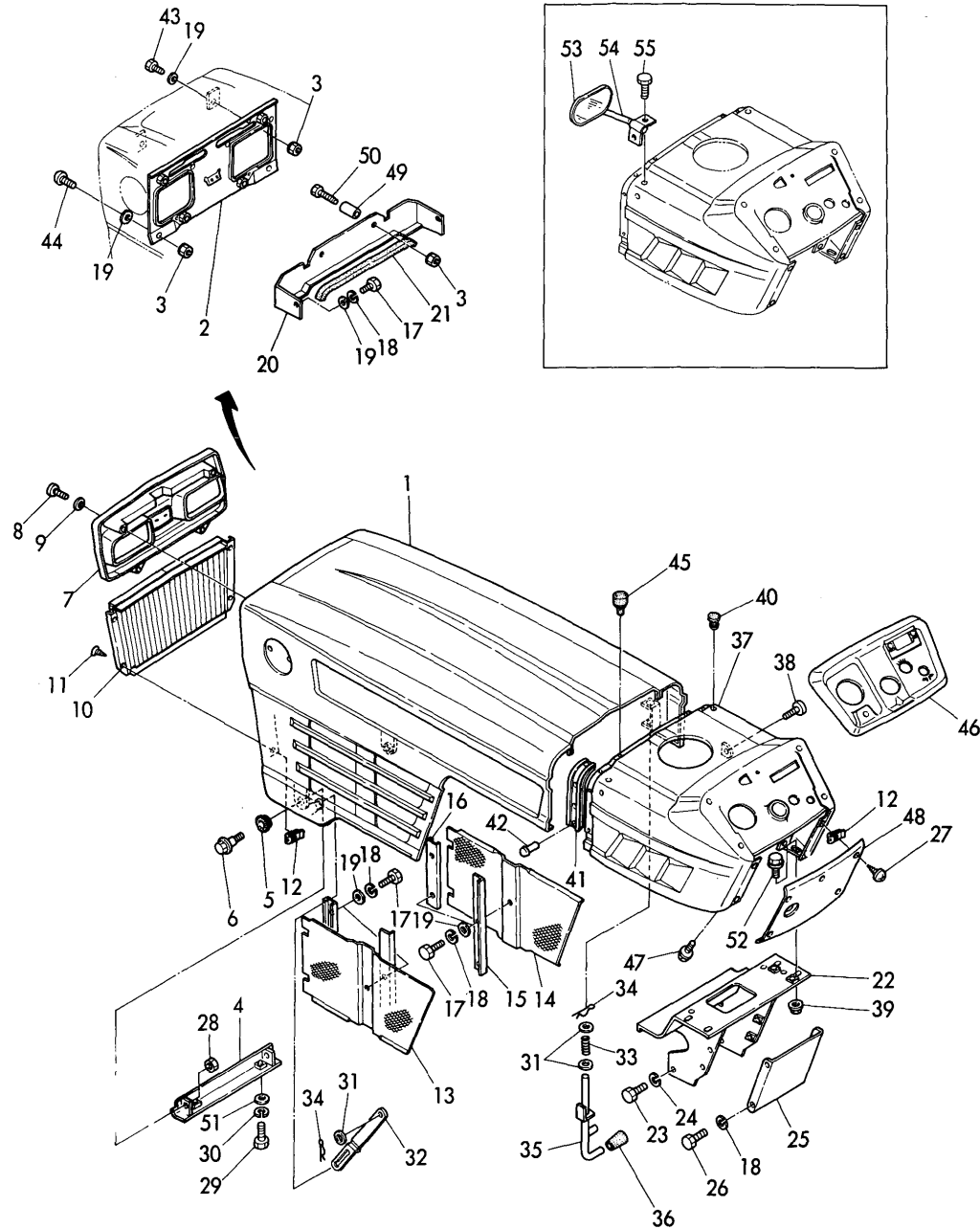
(A)=YM330  
(B)=YM330D  
(C)=

(D)=  
(E)=  
(F)=

REF.	LEV.	PARTS NO.	DESCRIPTION	Q'TY						I	R
				(A)	(B)	(C)	(D)	(E)	(F)		
1	1	194320-61100-P	HOOD	1	1						
2	1	194370-61280-P	BRACKET	1	1						
3	1	194990-22040	NUT W/WASHER 6	6	6						
4	1	194145-61322-X	HINGE, HOOD	1	1						
5	1	194155-61251	BUSH, HINGE	2	2						
6	1	194155-61241	BOLT, HINGE	2	2						
7	1	194145-61252	GRILLE, FRONT	1	1						
8	1	26557-050202	SCREW M 5X 20	4	4						
9	1	23418-050000	GASKET 5, NYLON	4	4						
10	1	194370-61371-P	GRILLE, FRONT	1	1						
11	1	194420-61640	SCREW M 5X 16	2	2						
12	1	194145-61650	NUT M5	7	7						
13	1	194145-61192-P	SCREEN (L)	1	1						
13-1	1	194322-61190-P	SCREEN (L)	1	1						R
14	1	194145-61352-P	SCREEN (R)	1	1						
14-1	1	194322-61350-P	SCREEN (R)	1	1						R
15	1	194145-61212-P	RETAINER	2	2						
16	1	194145-61242-P	RETAINER	2	2						
17	1	26116-060122	BOLT M 6X 12	12	12						
18	1	22217-060000	SPRING WASHER 6	16	16						
19	1	22137-060000	WASHER 6, POLISHED	14	14						
20	1	194370-61160-P	PLATE	1	1						
21	1	194370-61990	SUPPORT	1	1						
22	1	194273-61661-P	BRACKET, PANEL	1	1						
23	1	26116-080142	BOLT M 8X 14 PLATED	4	4						
24	1	22217-080000	SPRING WASHER 8	4	4						
25	1	194145-61671-P	COVER	1	1						
26	1	26116-060142	BOLT M6X14	4	4						
27	1	194420-61640	SCREW M 5X 16	5	5						
28	1	26716-120002	NUT M12	2	2						
29	1	26116-100252	BOLT M10X 25 PLATED	2	2						
30	1	22217-100000	SPRING WASHER 10	2	2						
31	1	22137-100000	WASHER 10,POLISHED	5	5						
32	1	194145-61330-P	STOPPER, HOOD	1	1						
33	1	194151-61831	SPRING	2	2						
34	1	22360-100000	SNAP PIN 10	3	3						
35	1	194145-61821	LEVER, LOCK	2	2						
36	1	194150-01190	KNOB, THROTTLE LEVER	2	2						
37	1	194273-61501-P	DASHBOARD ASSY	1	1						
38	1	26587-080122	SCREW M 8X 12	2	2						
39	1	194990-22140	NUT W/WASHER 8	4	4						
40	1	194446-62310	CAP 8, RUBBER	2	2						
41	1	194145-61551	GASKET, HOOD	2	2						
42	1	194190-61560	RIVET 5X6	8	8						
43	1	26116-060162	BOLT M 6X 16 PLATED	2	2						
44	1	26587-060162	SCREW M 6X 16	2	2						
45	1	194145-61560	RUBBER, CUSHION	2	2						
46	1	194145-61610	PANEL, DASHBOARD	1	1						
47	1	26023-040102	SCREW M 4X 10	6	6						
48	1	194145-61620-P	COVER, DASHBOARD	1	1						
49	1	194273-61180	COLLAR 6.9X10.5X30	2	2						

Fig.73. HOOD (PORTUGAL)

Fig.73 HOOD (2)



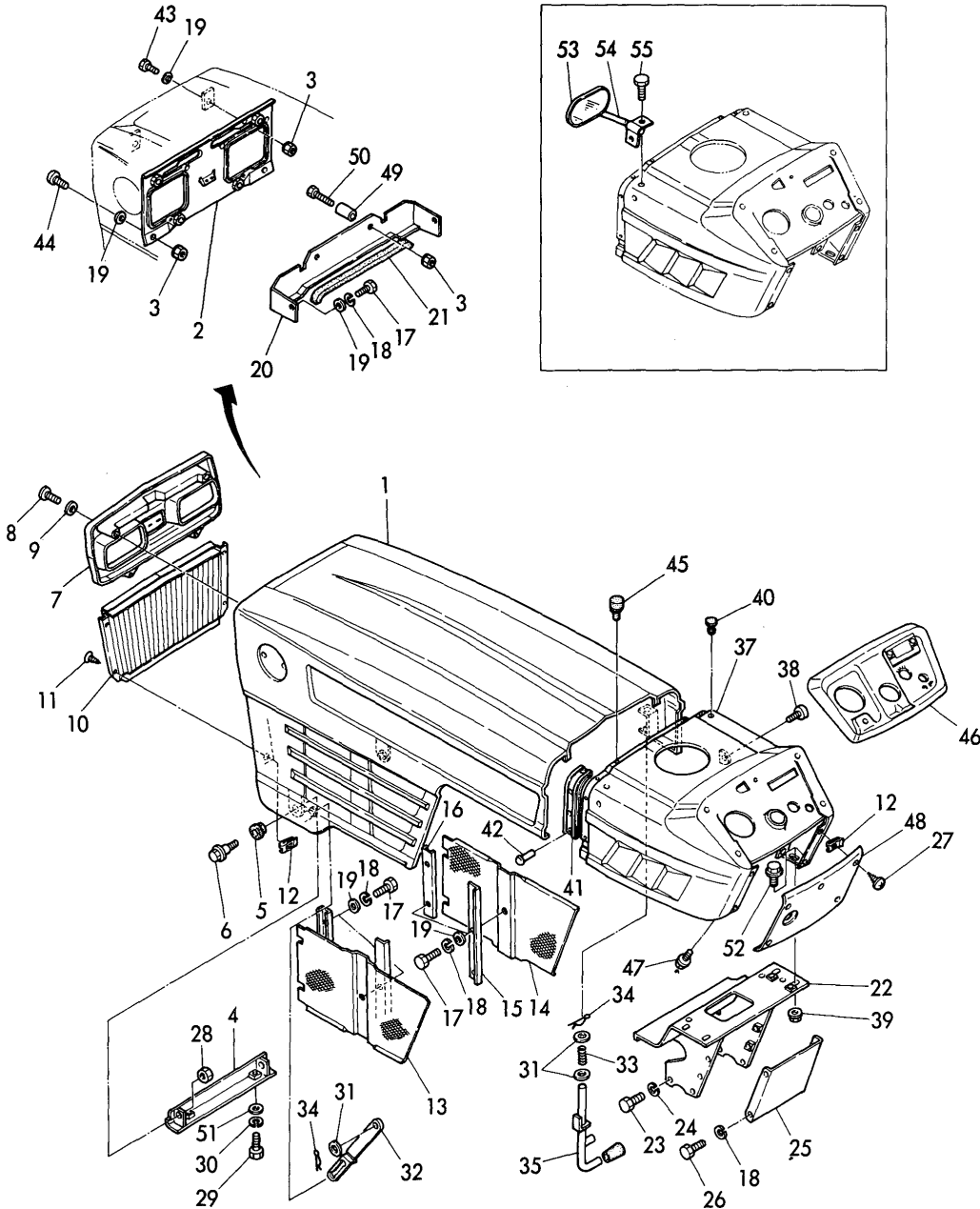
(A)=YM330  
(B)=YM330D  
(C)=

(D)=  
(E)=  
(F)=

REF.	LEV.	PARTS NO.	DESCRIPTION	Q'TY						I	R
				(A)	(B)	(C)	(D)	(E)	(F)		
50	1	26116-060452	BOLT M 6X 45 PLATED	2	2						
51	1	194145-61570	WASHER 10	2	2						
52	1	26011-080162	BOLT M 8X 16	4	4						
53	1	194145-64100	MIRROR	1	1						
54	1	194145-64120	STAY, MIRROR	1	1						
55	1	26116-060122	BOLT M 6X 12	2	2						

Fig.74. HOOD (RED)

Fig. 74 HOOD (3)



(A)=YM330  
(B)=YM330D  
(C)=

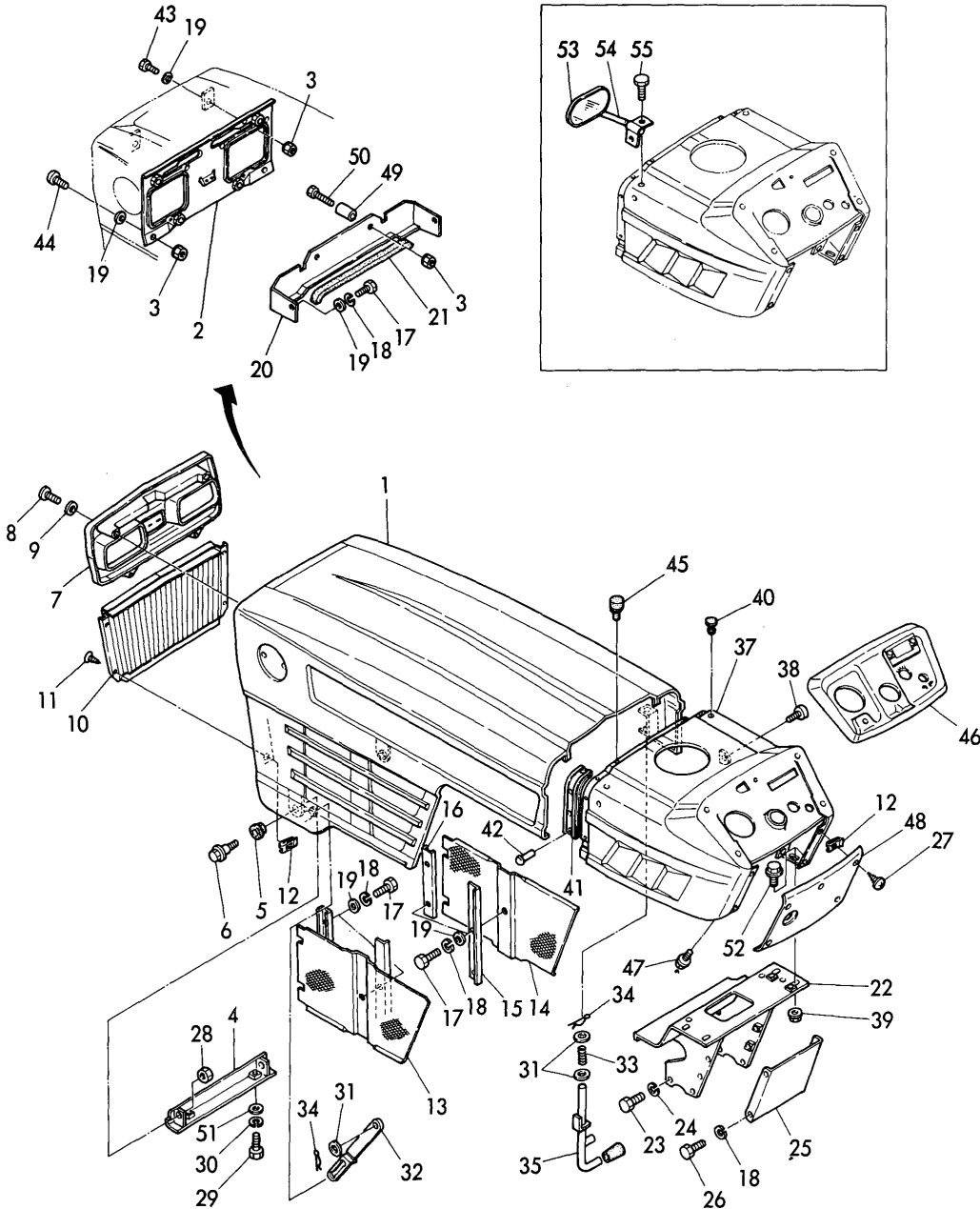
(D)=  
(E)=  
(F)=

REF.	LEV.	PARTS NO.	DESCRIPTION	Q'TY						I	R
				(A)	(B)	(C)	(D)	(E)	(F)		
1	1	194320-61100-R	HOOD	1	1						1
2	1	194370-61280-R	BRACKET	1	1						
2-1	1	194324-61280-R	BRACKET	1	1						N
		(A=*1983.10) (B=*1983.10)									
3	1	194990-22040	NUT W/WASHER 6	6	6						
4	1	194145-61322-X	HINGE, HOOD	1	1						
5	1	194155-61251	BUSH, HINGE	2	2						
6	1	194155-61241	BOLT, HINGE	2	2						
7	1	194145-61252	GRILLE, FRONT	1	1						
8	1	26557-050202	SCREW M 5X 20	4	4						
9	1	23418-050000	GASKET 5, NYLON	4	4						
10	1	194370-61371-R	GRILLE(LOWER),FRONT	1	1						
11	1	194420-61640	SCREW M 5X 16	4	4						
12	1	194145-61650	NUT M5	7	7						
13	1	194322-61190-R	SCREEN (L)	1	1						
14	1	194322-61350-R	SCREEN (R)	1	1						
15	1	194145-61212-R	HOLDER, SCREEN	2	2						
16	1	194145-61242-R	HOLDER, SCREEN	2	2						
17	1	26116-060122	BOLT M 6X 12	12	12						
18	1	22217-060000	SPRING WASHER 6	16	16						
19	1	22137-060000	WASHER 6, POLISHED	14	14						
20	1	194370-61160-R	PLATE	1	1						
21	1	194370-61990	SUPPORT	1	1						
22	1	194273-61661-R	BRACKET, PANEL	1	1						
23	1	26116-080142	BOLT M 8X 14 PLATED	4	4						
23-1	1	26106-080162	BOLT M 8X 16 PLATED	4	4						N
		(A=*1990.04) (B=*1990.04)									
24	1	22217-080000	SPRING WASHER 8	4	4						Z
		(A=*1990.04) (B=*1990.04)									
25	1	194145-61671-R	COVER	1	1						
26	1	26116-060142	BOLT M6X14	4	4						
26-1	1	194155-05210	BOLT W/WASHER M6X16	4	4						N
		(A=*1982.09) (B=*1982.09)									
27	1	194420-61640	SCREW M 5X 16	5	5						
28	1	26716-120002	NUT M12	2	2						
29	1	26116-100252	BOLT M10X 25 PLATED	2	2						
29-1	1	26013-100202	BOLT W/WASHER M10X20	2	2						N
		(A=*) (B=*)									
30	1	22217-100000	SPRING WASHER 10	2	2						Z
		(A=*) (B=*)									
31	1	22137-100000	WASHER 10,POLISHED	5	5						
32	1	194145-61330-R	STOPPER, HOOD	1	1						
32-1	1	194370-61330	STOPPER, HOOD	1	1						N
		(A=*) (B=*)									
33	1	194151-61831	SPRING	2	2						
34	1	22360-100000	SNAP PIN 10	3	3						
35	1	194145-61821	LEVER, LOCK	2	2						
36	1	194150-01190	KNOB, THROTTLE LEVER	2	2						
37	1	194274-61501-R	DASHBOARD ASSY	1	1						
37-1	1	194145-61501-R	DASHBOARD ASSY	1	1						N
		(A=*1983.03) (B=*1983.03)									

N:Old ↔ New, Q:Old ↔ New, R:Old ↔ New, S:Old ↔ New, W:Add, Z:Discontinued, F:Set Change, K:Q'ty Change  
 ++ CONTINUE ++ (C)Copy Rights YANMAR CO.,LTD and YANMAR AGRICULTURAL EQUIPMENT CO.,LTD.

Fig.74. HOOD (RED)

Fig. 74 HOOD (3)



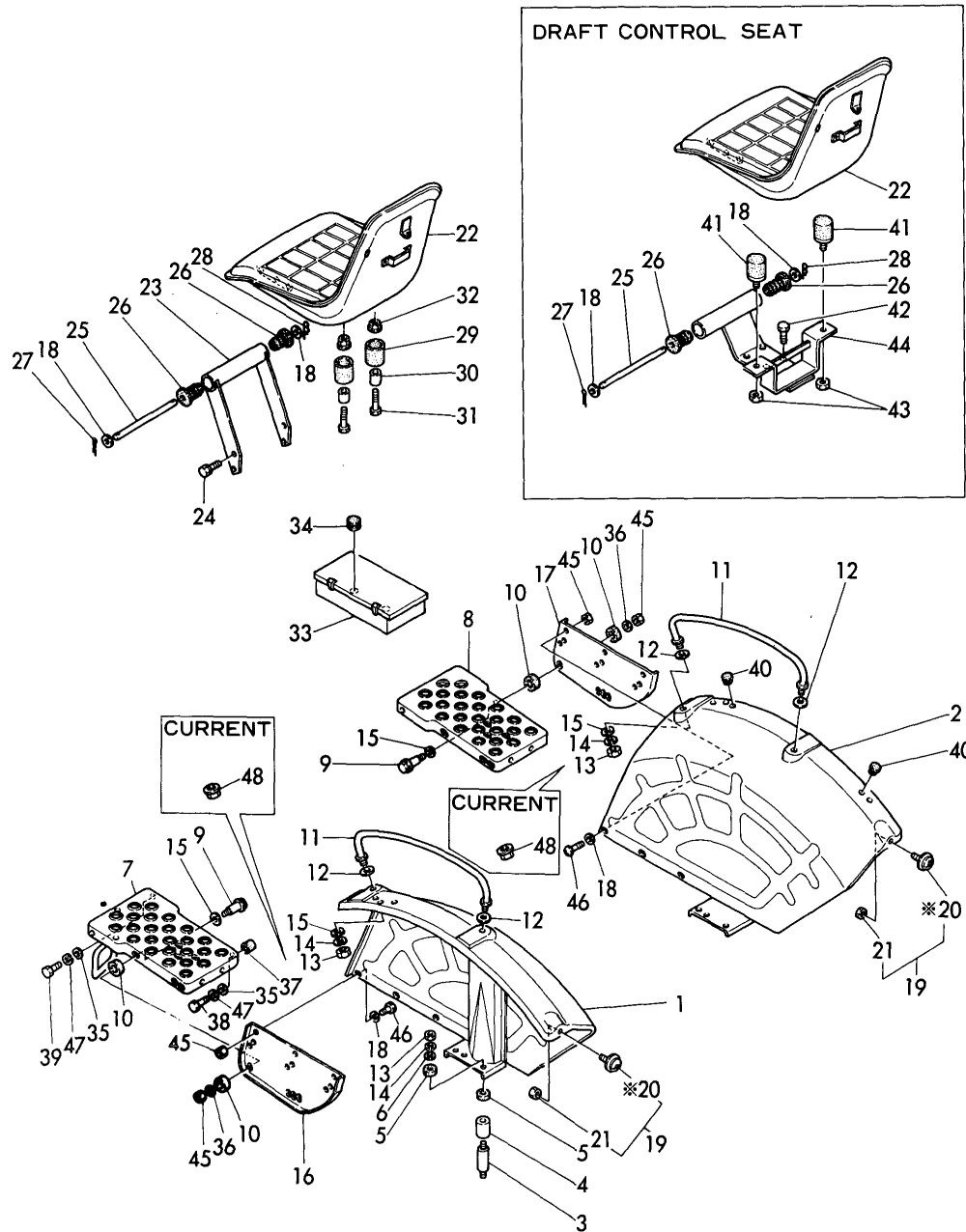
(A)=YM330  
(B)=YM330D  
(C)=

(D)=  
(E)=  
(F)=

REF.	LEV.	PARTS NO.	DESCRIPTION	Q'TY						I	R
				(A)	(B)	(C)	(D)	(E)	(F)		
38	1	26587-080122	SCREW M 8X 12	2	2						
39	1	194990-22140	NUT W/WASHER 8	6	6						
40	1	194446-62310	CAP 8, RUBBER	2	2						
40-1	1	194324-62310	CAP 4.5, RUBBER	2	2						N
		(A=*1983.03) (B=*1983.03)									
41	1	194145-61551	GASKET, HOOD	2	2						
42	1	194190-61560	RIVET 5X6	8	8						
43	1	26116-060162	BOLT M 6X 16 PLATED	2	2						
43-1	1	26106-060162	BOLT M 6X 16 PLATED	2	2						N
		(A=*1989.09) (B=*1989.09)									
44	1	26587-060162	SCREW M 6X 16	2	2						
45	1	194145-61560	RUBBER, CUSHION	2	2						
46	1	194145-61610	PANEL, DASHBOARD	1	1						
47	1	26023-040102	SCREW M 4X 10	6	6						
48	1	194145-61620-R	COVER, DASHBOARD	1	1						
49	1	194273-61180	COLLAR 6.9X10.5X30	2	2						
50	1	26116-060452	BOLT M 6X 45 PLATED	2	2						
51	1	194145-61570	WASHER 10	2	2						
52	1	26011-080162	BOLT M 8X 16	4	4						
53	1	194145-64100	MIRROR	1	1						
54	1	194145-64120	STAY, MIRROR	1	1						
55	1	26116-060122	BOLT M 6X 12	2	2						

Fig.75. FENDER & SEAT (U.S.A.)

Fig.75 FENDER & SEAT (1)



(A)=YM330  
(B)=YM330D  
(C)=

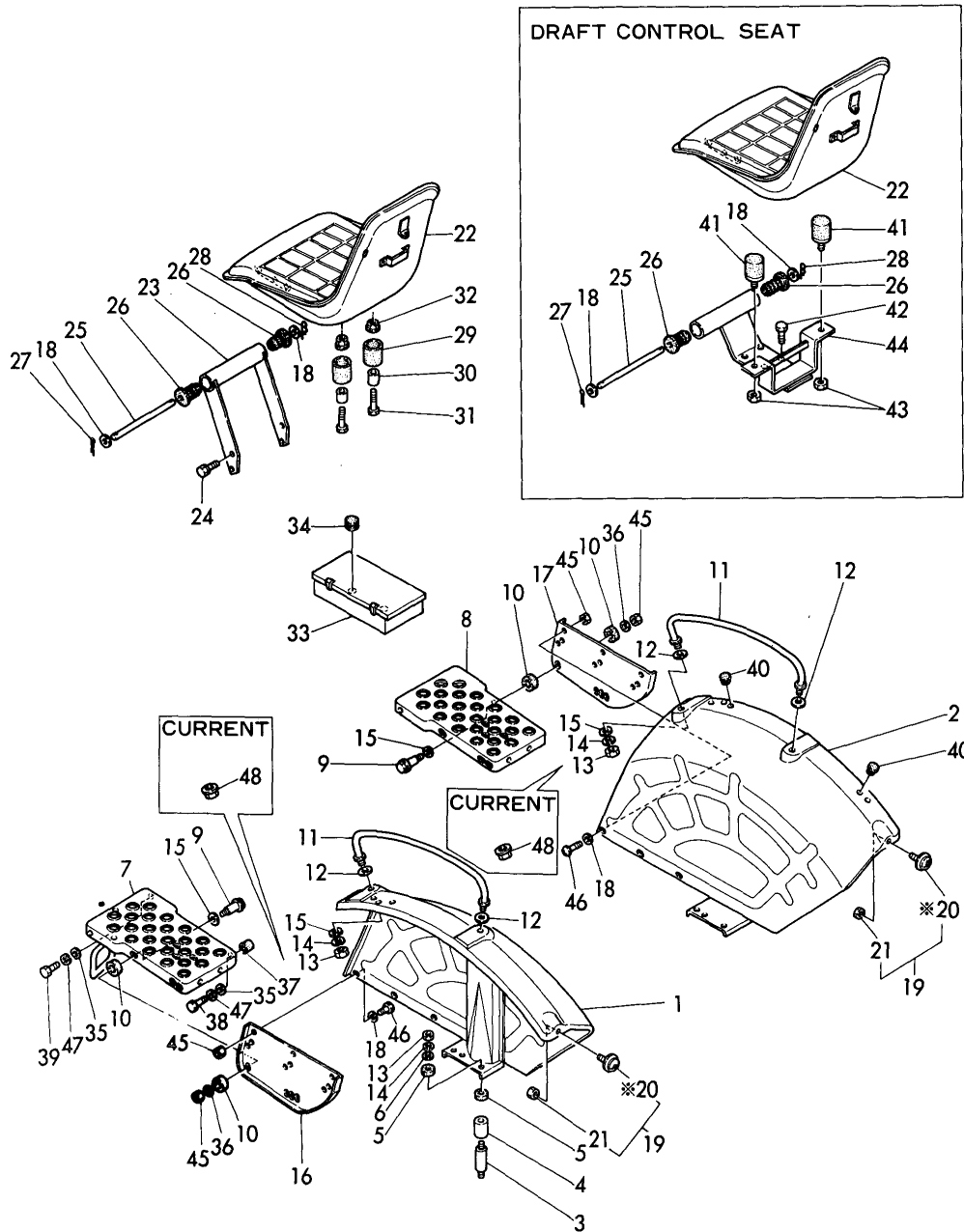
(D)=  
(E)=  
(F)=

REF.	LEV.	PARTS NO.	DESCRIPTION	Q'TY						I R
				(A)	(B)	(C)	(D)	(E)	(F)	
1	1	194145-62111-P	FENDER (L)	1	1					
1-1	1	194324-62110-P	FENDER (L)	1	1					R
		(A=*1983.05) (B=*1983.05)								
2	1	194145-62121-P	FENDER (R)	1	1					
2-1	1	194324-62120-P	FENDER (R)	1	1					R
		(A=*1983.05) (B=*1983.05)								
3	1	194145-62270	BOLT	8	8					
4	1	194145-62250	COLLAR	8	8					
4-1	1	194145-62251	COLLAR	8	8					R
		(A=*1980.10) (B=*1980.10)								
5	1	194145-62260	RUBBER, CUSHION	16	16					
6	1	194130-62180	WASHER	8	8					
7	1	194145-62510-X	STEP (L)	1	1					
7-1	1	194145-62511-X	STEP (L)	1	1					N
		(A=*1980.06) (B=*1980.06)								
7-2	1	194270-62510	STEP (L)	1	1					N
		(A=*1985.06) (B=*1985.06)								
8	1	194145-62520-X	STEP (R)	1	1					
8-1	1	194145-62521-X	STEP (R)	1	1					N
		(A=*1980.06) (B=*1980.06)								
8-2	1	194270-62520-X	STEP (R)	1	1					S
		(A=*1983.10) (B=*1983.10)								
9	1	194145-62240	BOLT	4	4					
9-1	1	194145-62241	BOLT	4	4					N
		(A=*) (B=*)								
10	1	194130-62160	RUBBER, CUSHION	8	8					
11	1	194145-62410-P	BAR, ASSIST	2	2					
12	1	194145-62420	RUBBER, CUSHION	4	4					
13	1	26716-120002	NUT M12	12	12					
13-1	1	26716-120002	NUT M12	8	8					K
		(A=*1983.03) (B=*1983.03)								
14	1	22217-120000	WASHER 12,SPRING	12	12					
14-1	1	22217-120000	WASHER 12,SPRING	8	8					K
		(A=*1983.03) (B=*1983.03)								
15	1	22137-120000	WASHER 12,POLISHED	10	10					
15-1	1	22137-120000	WASHER 12,POLISHED	6	6					K
		(A=*1983.03) (B=*1983.03)								
16	1	194145-62130-P	SUB-FENDER (L)	1	1					
16-1	1	194145-62131	SUB-FENDER (L)	1	1					S
		(A=*1983.06) (B=*1983.06)								
17	1	194145-62140-P	SUB-FENDER (R)	1	1					
17-1	1	194145-62141	SUB-FENDER (R)	1	1					S
		(A=*1983.06) (B=*1983.06)								
18	1	22137-080000	WASHER 8, POLISHED	8	8					
18-1	1	22137-080000	WASHER 8, POLISHED	6	6					K
		(A=*) (B=*)								
18-2	1	22137-080000	WASHER 8, POLISHED	6	6					Z
		(A=*) (B=*)								
19	1	194740-76200	REFLECTOR	2	2					
21	2	194990-22030	NUT W/WASHER 5	2	2					
22	1	194240-63102	SEAT, OPERATOR	1	1					

N:Old  $\leftrightarrow$  New, Q:Old  $\leftrightarrow$  New, R:Old  $\leftrightarrow$  New, S:Old  $\leftrightarrow$  New, W:Add, Z:Discontinued, F:Set Change, K:Q'ty Change  
 ++ CONTINUE ++  
 (C)Copy Rights YANMAR CO.,LTD and YANMAR AGRICULTURAL EQUIPMENT CO.,LTD.

Fig.75. FENDER & SEAT (U.S.A.)

Fig.75 FENDER & SEAT (1)



(A)=YM330  
(B)=YM330D  
(C)=

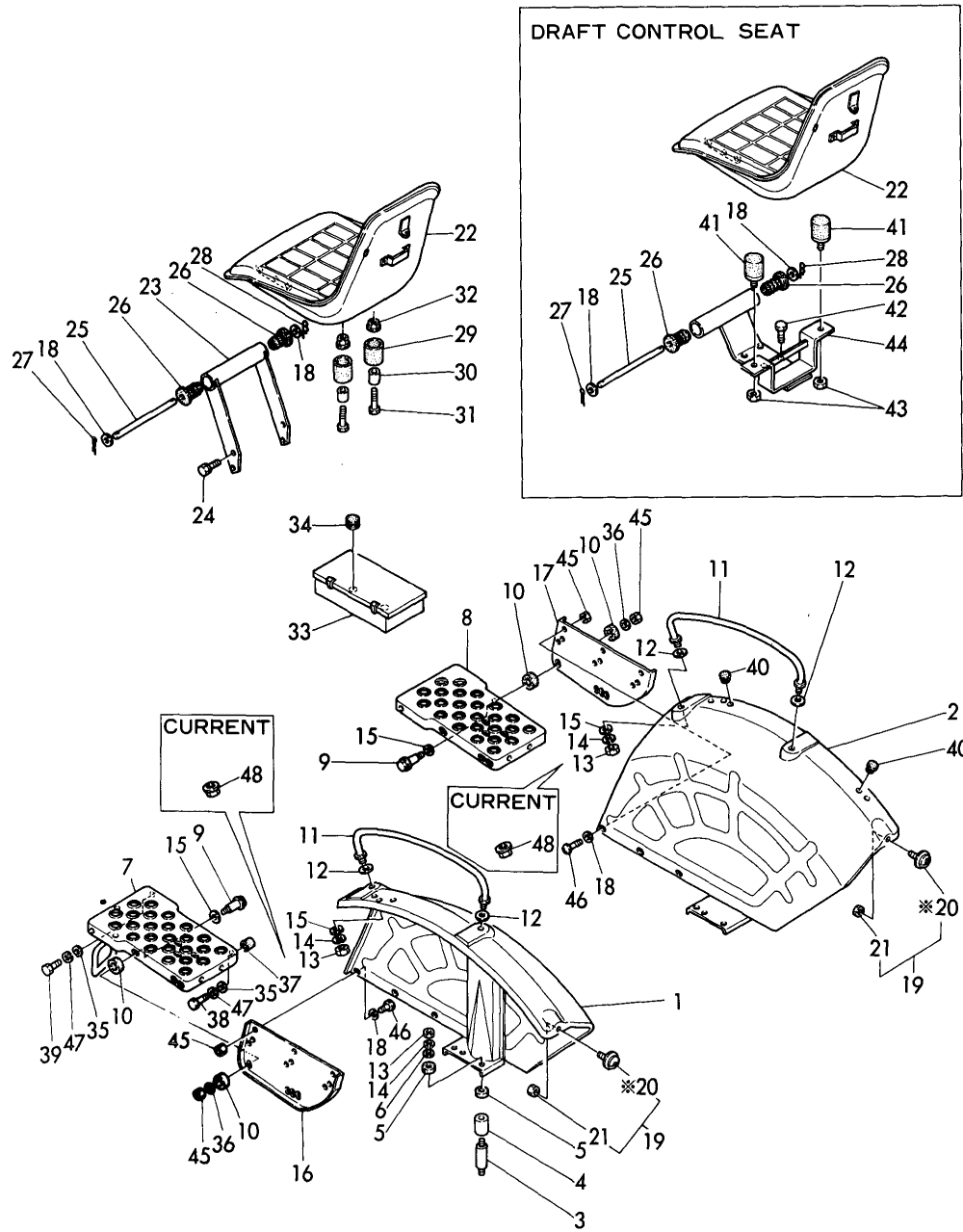
(D)=  
(E)=  
(F)=

REF.	LEV.	PARTS NO.	DESCRIPTION	(A)	(B)	(C)	(D)	(E)	(F)	Q'TY	I	R
22-1	1	194275-63111	SEAT, OPERATOR	1	1							S
		(A=*1983.10) (B=*1983.10)										
22-2	1	194448-63110	SEAT, OPERATOR	1	1							N
		(A=*1986.01) (B=*1986.01)										
22A	1	194242-63120	STAY, NUMBER PLATE	1	1							W
		(A=*1983.10) (B=*1983.10)										
22B	1	194155-05210	BOLT W/WASHER M6X16	2	2							W
		(A=*1983.10) (B=*1983.10)										
22C	1	194270-71540	CHAIN	1	1							W
		(A=*1983.10) (B=*1983.10)										
22D	1	26106-100252	BOLT M10X 25 PLATED	1	1							W
		(A=*1983.10) (B=*1983.10)										
22E	1	194990-22150	NUT W/WASHER 10	1	1							W
		(A=*1983.10) (B=*1983.10)										
22F	1	194281-63240	SPRING	2	2							W
		(A=*1983.10) (B=*1983.10)										
22G	1	194322-63250	HOLDER	2	2							W
		(A=*1983.10) (B=*1983.10)										
22H	1	194322-63280	RETAINER	2	2							W
		(A=*1983.10) (B=*1983.10)										
23	1	194145-63210	BRACKET, SEAT	1	1							
23-1	1	194490-63210	BRACKET, SEAT	1	1							S
		(A=*1981.04) (B=*1981.04)										
24	1	26013-100202	BOLT W/WASHER M10X20	4	4							
25	1	194140-63221	PIN, HINGE	1	1							
26	1	194140-63270	DAMPER (RUBBER)	2	2							
26-1	1	194197-63270	DAMPER (RUBBER)	2	2							R
		(A=*) (B=*)										
27	1	22417-200200	COTTER PIN 2.0X20	1	1							
28	1	22360-080000	SNAP PIN 8	1	1							
29	1	194151-63240	RUBBER, CUSHION	2	2							
30	1	194151-63250	COLLAR	2	2							
31	1	26116-080352	BOLT M 8X 35	2	2							
32	1	194990-22140	NUT W/WASHER 8	2	2							
33	1	194145-64410-R	BOX, TOOL	1	1							
34	1	194145-64430	GROMMET 12	1	1							
35	1	22137-100000	WASHER 10,POLISHED	4	4							
36	1	194145-62280	WASHER	4	4							
37	1	194145-62530	SPACER	2	2							
38	1	26013-100382	BOLT M10X 38	2	2							
38-1	1	194465-11940	BOLT M10X 40	2	2							S 1
		(A=*1980.06) (B=*1980.06)										
39	1	26013-100202	BOLT W/WASHER M10X20	2	2							
39-1	1	194465-11930	BOLT M10X 28	2	2							S 1
		(A=*1980.06) (B=*1980.06)										
40	1	194275-62310	CAP 10, RUBBER	5	5							
41	1	194275-63240	RUBBER, CUSHION	2	2							
42	1	26013-080202	BOLT W/WASHER M8X20	4	4							
42-1	1	26106-080202	BOLT M 8X 20 PLATED	4	4							N
		(A=*1990.02) (B=*1990.02)										
43	1	194990-22050	NUT W/WASHER 8	2	2							

N:Old ↔ New, Q:Old ↔ New, R:Old ↔ New, S:Old ↔ New, W:Add, Z:Discontinued, F:Set Change, K:Q'ty Change  
 ++ CONTINUE ++ (C)Copy Rights YANMAR CO.,LTD and YANMAR AGRICULTURAL EQUIPMENT CO.,LTD.

Fig.75. FENDER & SEAT (U.S.A.)

Fig.75 FENDER & SEAT (1)



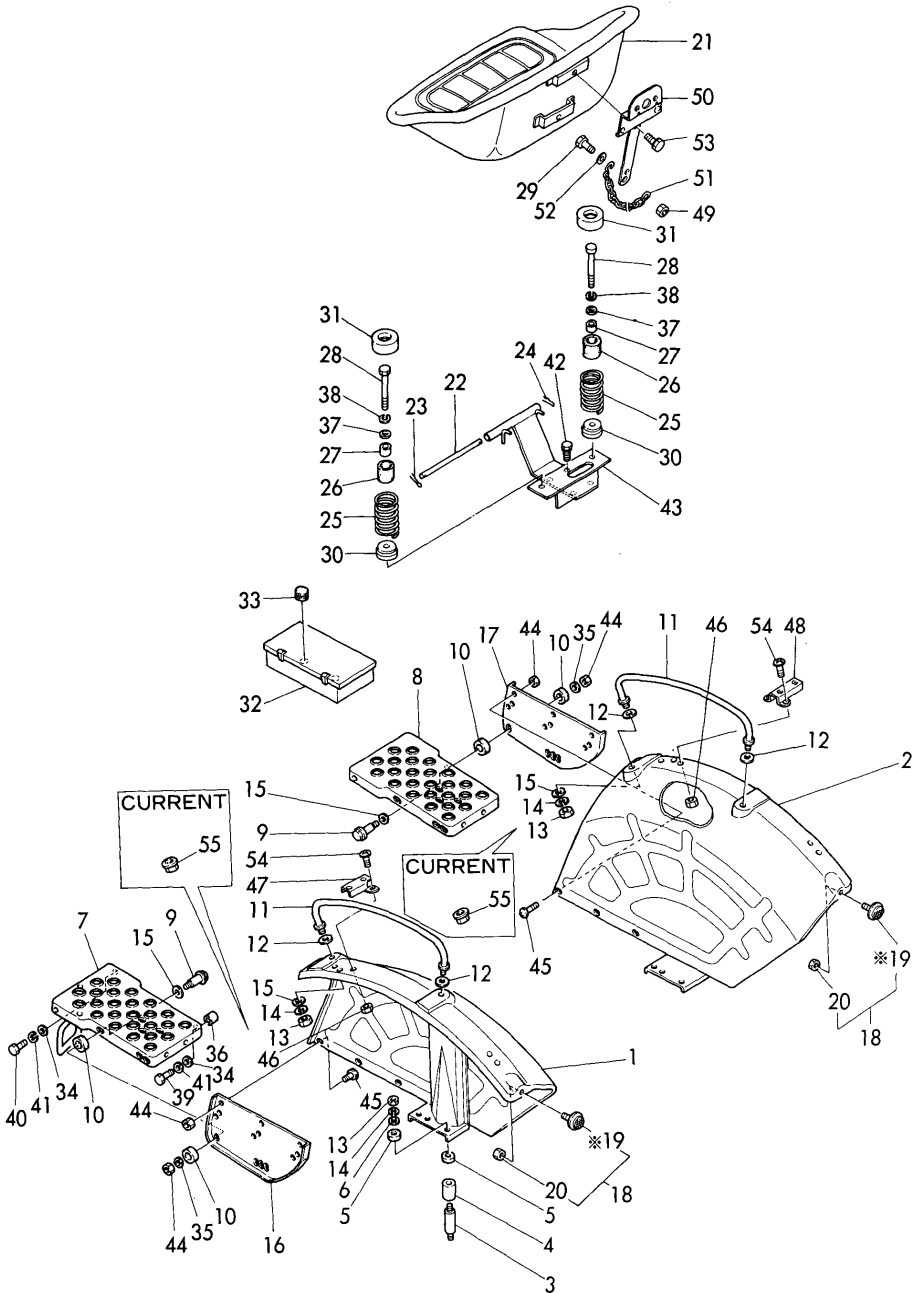
(A)=YM330  
(B)=YM330D  
(C)=

(D)=  
(E)=  
(F)=

REF.	LEV.	PARTS NO.	DESCRIPTION	Q'TY						I	R
				(A)	(B)	(C)	(D)	(E)	(F)		
44	1	194320-63220-X	BRACKET, SEAT	1	1						
45	1	194990-22140	NUT W/WASHER 8	10	10						
46	1	26587-080122	SCREW M 8X 12	6	6						
47	1	22217-100000	SPRING WASHER 10	4	4						W
		(A=*1980.06) (B=*1980.06)									
48	1	194990-22160	NUT W/WASHER 12	4	4						W
		(A=*1983.03) (B=*1983.03)									

Fig.76. FENDER & SEAT (PORTUGAL)

Fig.76 FENDER & SEAT (2)



(A)=YM330  
(B)=YM330D  
(C)=

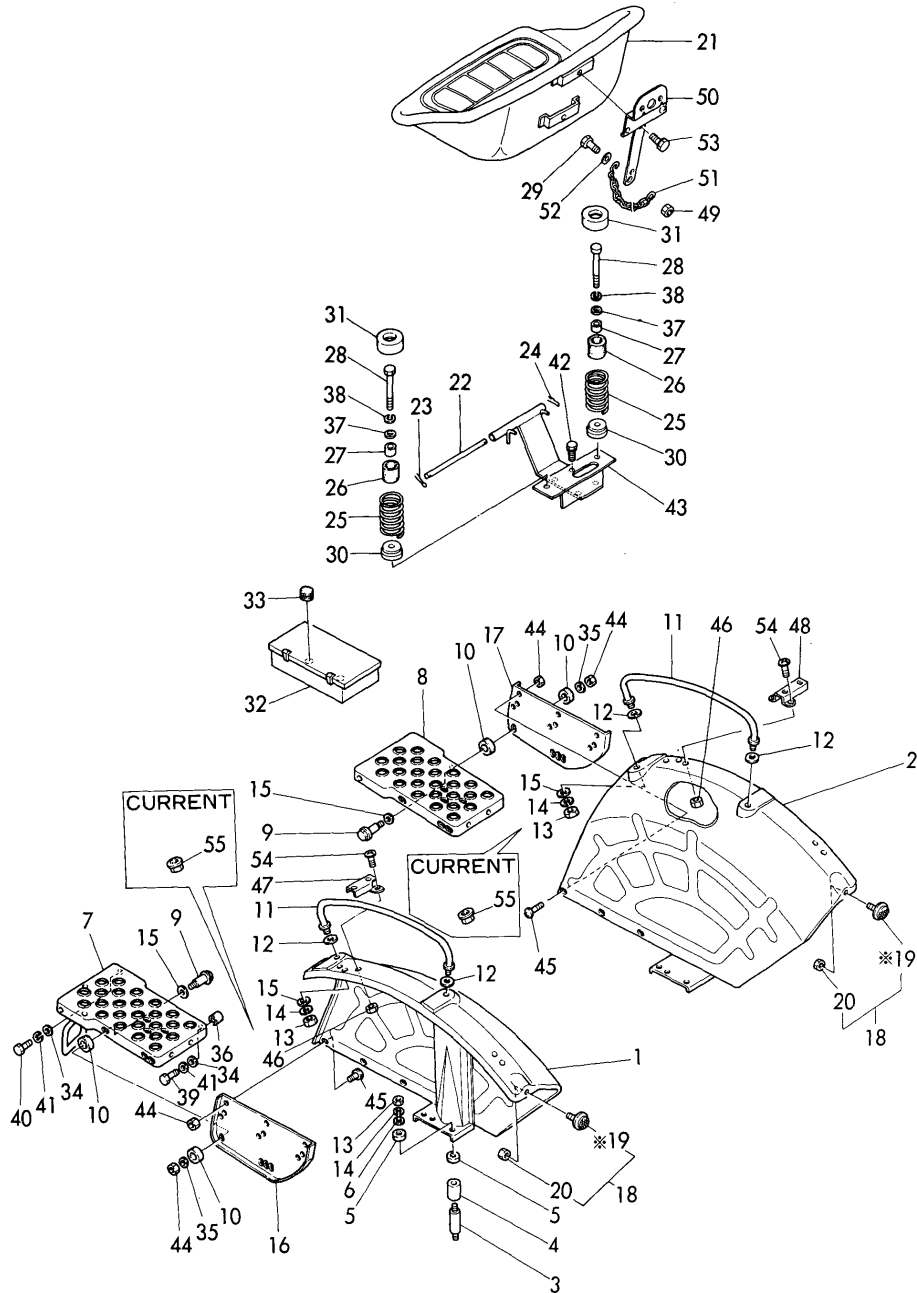
(D)=  
(E)=  
(F)=

REF.	LEV.	PARTS NO.	DESCRIPTION	Q'TY						I R
				(A)	(B)	(C)	(D)	(E)	(F)	
1	1	194145-62111-P	FENDER (L)	1	1					
2	1	194145-62121-P	FENDER (R)	1	1					
3	1	194145-62270	BOLT	8	8					
4	1	194145-62251	COLLAR	8	8					
5	1	194145-62260	RUBBER, CUSHION	16	16					
6	1	194130-62180	WASHER	8	8					
7	1	194145-62511-X	STEP (L)	1	1					
8	1	194270-62520-X	STEP (R)	1	1					
9	1	194145-62241	BOLT	4	4					
10	1	194130-62160	RUBBER, CUSHION	8	8					
11	1	194145-62410-P	BAR, ASSIST	2	2					
12	1	194145-62420	RUBBER, CUSHION	4	4					
13	1	26716-120002	NUT M12	12	12					
14	1	22217-120000	WASHER 12,SPRING	12	12					
15	1	22137-120000	WASHER 12,POLISHED	4	4					
16	1	194145-62130-P	SUB-FENDER (L)	1	1					
17	1	194145-62140-P	SUB-FENDER (R)	1	1					
18	1	194740-76200	REFLECTOR	2	2					
20	2	194990-22030	NUT W/WASHER 5	2	2					
21	1	194275-63111-X	SEAT, OPERATOR	1	1					
22	1	194140-63221	PIN, HINGE	1	1					
23	1	22417-200200	COTTER PIN 2.0X20	1	1					
24	1	22360-080000	SNAP PIN 8	1	1					
25	1	194281-63240	SPRING	2	2					
26	1	194151-63240	RUBBER, CUSHION	2	2					
27	1	194151-63250	COLLAR	2	2					
28	1	26116-080602	BOLT M 8X 60 PLATED	2	2					
29	1	26116-100252	BOLT M10X 25 PLATED	1	1					
30	1	194322-63280	RETAINER	2	2					
31	1	194322-63250	HOLDER	2	2					
32	1	194145-64410-R	BOX, TOOL	1	1					
33	1	194145-64430	GROMMET 12	1	1					
34	1	22137-100000	WASHER 10,POLISHED	4	4					
35	1	194145-62280	WASHER	4	4					
36	1	194145-62530	SPACER	2	2					
37	1	22137-080000	WASHER 8, POLISHED	2	2					
38	1	22217-080000	SPRING WASHER 8	2	2					
39	1	194465-11940	BOLT M10X 40	2	2					
40	1	194465-11930	BOLT M10X 28	2	2					
41	1	22217-100000	SPRING WASHER 10	4	4					
42	1	26013-080202	BOLT W/WASHER M8X20	4	4					
43	1	194490-63210-X	BRACKET, SEAT	1	1					
44	1	194990-22140	NUT W/WASHER 8	10	10					
45	1	26587-080122	SCREW M 8X 12	6	6					
46	1	194990-22140	NUT W/WASHER 8	4	4					
47	1	194370-62220-P	STAY (L), WARNING LI	1	1					
48	1	194370-62230-P	STAY (R), WARNING LI	1	1					
49	1	194990-22150	NUT W/WASHER 10	1	1					
50	1	194242-63120-X	STAY	1	1					
51	1	194270-71540	CHAIN	1	1					
52	1	22137-100000	WASHER 10,POLISHED	1	1					



Fig.76. FENDER & SEAT (PORTUGAL)

Fig.76 FENDER & SEAT (2)



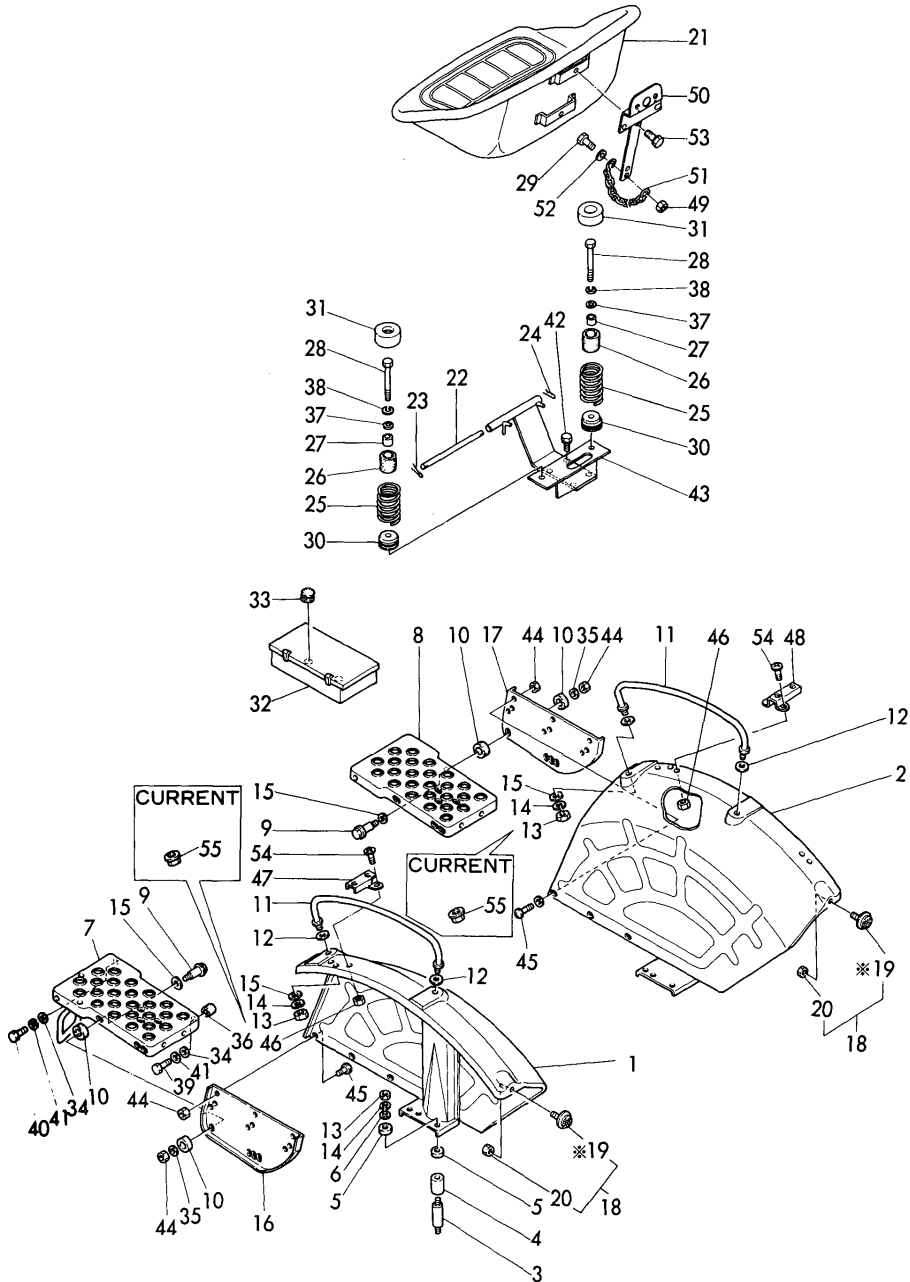
(A)=YM330  
(B)=YM330D  
(C)=

(D)=  
(E)=  
(F)=

REF.	LEV.	PARTS NO.	DESCRIPTION	Q'TY						
				(A)	(B)	(C)	(D)	(E)	(F)	
53	1	26013-060162	BOLT M 6X 16	2	2					
54	1	26587-080122	SCREW M 8X 12	4	4					
55	1	194990-22160	NUT W/WASHER 12	4	4					

Fig.77. FENDER & SEAT (RED)

Fig. **77** FENDER & SEAT (3)



(A)=YM330  
(B)=YM330D  
(C)=

(D)=  
(E)=  
(F)=

REF.	LEV.	PARTS NO.	DESCRIPTION	Q'TY						I	R
				(A)	(B)	(C)	(D)	(E)	(F)		
1	1	194145-62111-R	FENDER (L)	1	1						1
1-1	1	194324-62110-R	FENDER (L)	1	1						1
		(A=*1983.06) (B=*1983.06)									
2	1	194145-62121-R	FENDER (R)	1	1						1
2-1	1	194324-62120-R	FENDER (R)	1	1						1
		(A=*1983.06) (B=*1983.06)									
3	1	194145-62270	BOLT	8	8						
4	1	194145-62251	COLLAR	8	8						
5	1	194145-62260	RUBBER, CUSHION	16	16						
6	1	194130-62180	WASHER	8	8						
7	1	194145-62511-X	STEP (L)	1	1						
7-1	1	194270-62510	STEP (L)	1	1						N
		(A=*1985.06) (B=*1985.06)									
8	1	194270-62520-X	STEP (R)	1	1						
9	1	194145-62241	BOLT	4	4						
10	1	194130-62160	RUBBER, CUSHION	8	8						
11	1	194145-62410-R	BAR, ASSIST	2	2						
12	1	194145-62420	RUBBER, CUSHION	4	4						
13	1	26716-120002	NUT M12	12	12						
13-1	1	26716-120002	NUT M12	8	8						K
		(A=*1983.03) (B=*1983.03)									
14	1	22217-120000	WASHER 12,SPRING	12	12						
14-1	1	22217-120000	WASHER 12,SPRING	8	8						K
		(A=*1983.03) (B=*1983.03)									
15	1	22137-120000	WASHER 12,POLISHED	4	4						Z
		(A=*1983.03) (B=*1983.03)									
16	1	194145-62130-R	SUB-FENDER (L)	1	1						
16-1	1	194145-62131-R	SUB-FENDER (L)	1	1						S
		(A=*1983.06) (B=*1983.06)									
17	1	194145-62140-R	SUB-FENDER (R)	1	1						
17-1	1	194145-62141-R	SUB-FENDER (R)	1	1						S
		(A=*1983.06) (B=*1983.06)									
18	1	194740-76200	REFLECTOR	2	2						
20	2	194990-22030	NUT W/WASHER 5	2	2						
21	1	194275-63111-X	SEAT, OPERATOR	1	1						
21-1	1	194448-63110	SEAT, OPERATOR	1	1						N
		(A=*1986.01) (B=*1986.01)									
22	1	194140-63221	PIN, HINGE	1	1						
23	1	22417-200200	COTTER PIN 2.0X20	1	1						
24	1	22360-080000	SNAP PIN 8	1	1						
25	1	194281-63240	SPRING	2	2						
26	1	194151-63240	RUBBER, CUSHION	2	2						
27	1	194151-63250	COLLAR	2	2						
28	1	26116-080602	BOLT M 8X 60 PLATED	2	2						
28-1	1	26106-080552	BOLT M 8X 55 PLATED	2	2						N
		(A=*1990.02) (B=*1990.02)									
29	1	26116-100252	BOLT M10X 25 PLATED	1	1						
29-1	1	26106-100252	BOLT M10X 25 PLATED	1	1						N
		(A=*1990.02) (B=*1990.02)									
30	1	194322-63280	RETAINER	2	2						
31	1	194322-63250	HOLDER	2	2						

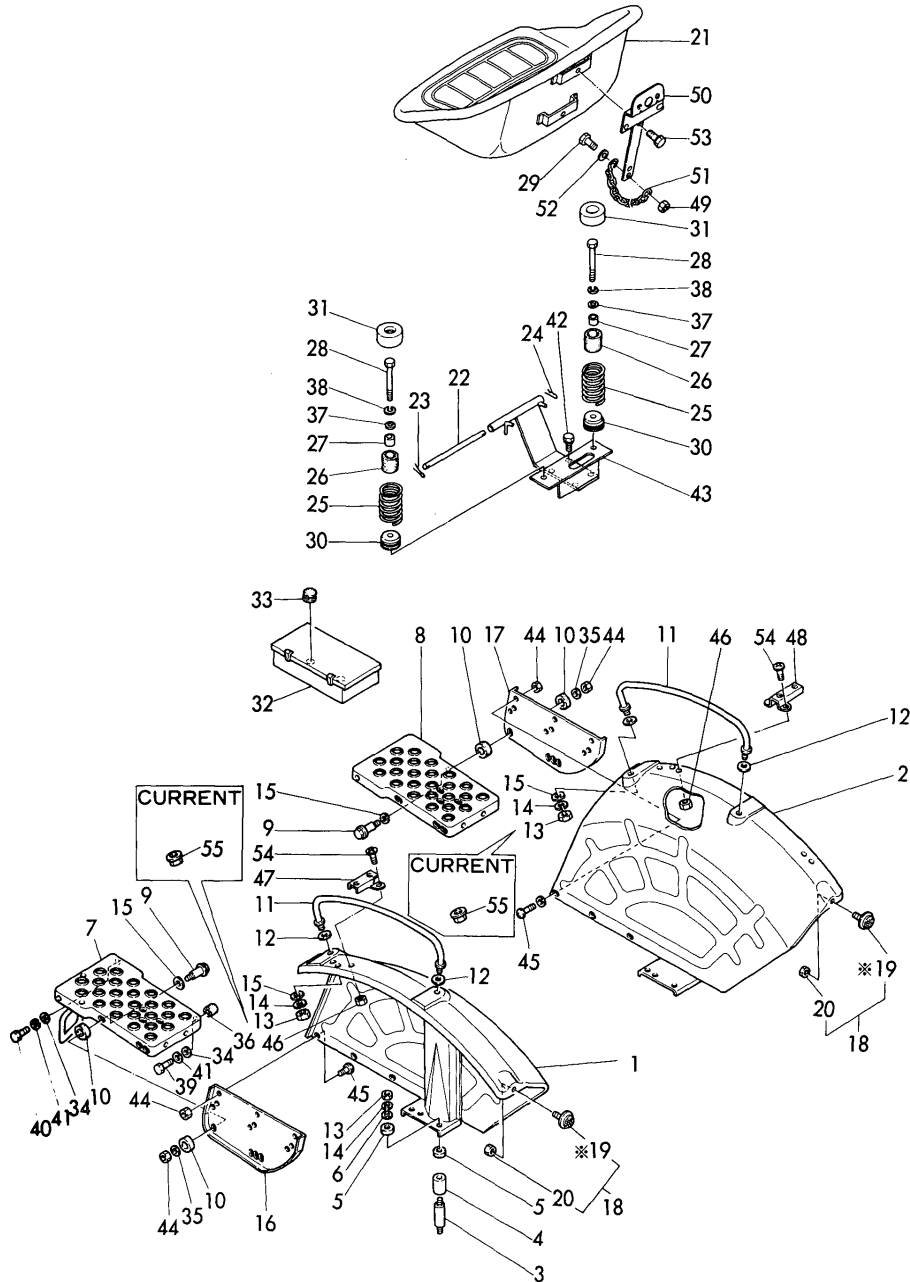
N:Old ↔ New, Q:Old ↔ New, R:Old ↔ New, S:Old ↔ New, W:Add, Z:Discontinued, F:Set Change, K:Q'ty Change  
 ++ CONTINUE ++ (C)Copy Rights YANMAR CO.,LTD and YANMAR AGRICULTURAL EQUIPMENT CO.,LTD.

Fig.77. FENDER & SEAT (RED)

(A)=YM330  
(B)=YM330D  
(C)=

(D)=  
(E)=  
(F)=

Fig. **77** FENDER & SEAT (3)



REF.	LEV.	PARTS NO.	DESCRIPTION	Q'TY						I	R
				(A)	(B)	(C)	(D)	(E)	(F)		
32	1	194145-64410-R	BOX, TOOL	1	1						
33	1	194145-64430	GROMMET 12	1	1						
34	1	22137-100000	WASHER 10,POLISHED	4	4						
35	1	194145-62280	WASHER	4	4						
36	1	194145-62530	SPACER	2	2						
37	1	22137-080000	WASHER 8, POLISHED	2	2						Z
38	1	22217-080000	SPRING WASHER 8	2	2						Z
39	1	194465-11940	BOLT M10X 40	2	2						
40	1	194465-11930	BOLT M10X 28	2	2						
41	1	22217-100000	SPRING WASHER 10	4	4						
42	1	26013-080202	BOLT W/WASHER M8X20	4	4						
42-1	1	26106-080202	BOLT M 8X 20 PLATED	4	4						N
43	1	194490-63210-X	BRACKET, SEAT	1	1						
44	1	194990-22140	NUT W/WASHER 8	10	10						
45	1	26587-080122	SCREW M 8X 12	6	6						
46	1	194990-22140	NUT W/WASHER 8	4	4						
47	1	194370-62220-R	STAY (L)WARNING LIGH	1	1						
48	1	194370-62230-R	STAY (R)WARNING LIGH	1	1						
49	1	194990-22150	NUT W/WASHER 10	1	1						
50	1	194242-63120-X	STAY	1	1						
51	1	194270-71540	CHAIN	1	1						
52	1	22137-100000	WASHER 10,POLISHED	1	1						Z
53	1	26013-060162	BOLT M 6X 16	2	2						
53-1	1	194155-05210	BOLT W/WASHER M6X16	2	2						R
54	1	26587-080122	SCREW M 8X 12	4	4						
55	1	194990-22160	NUT W/WASHER 12	4	4						W

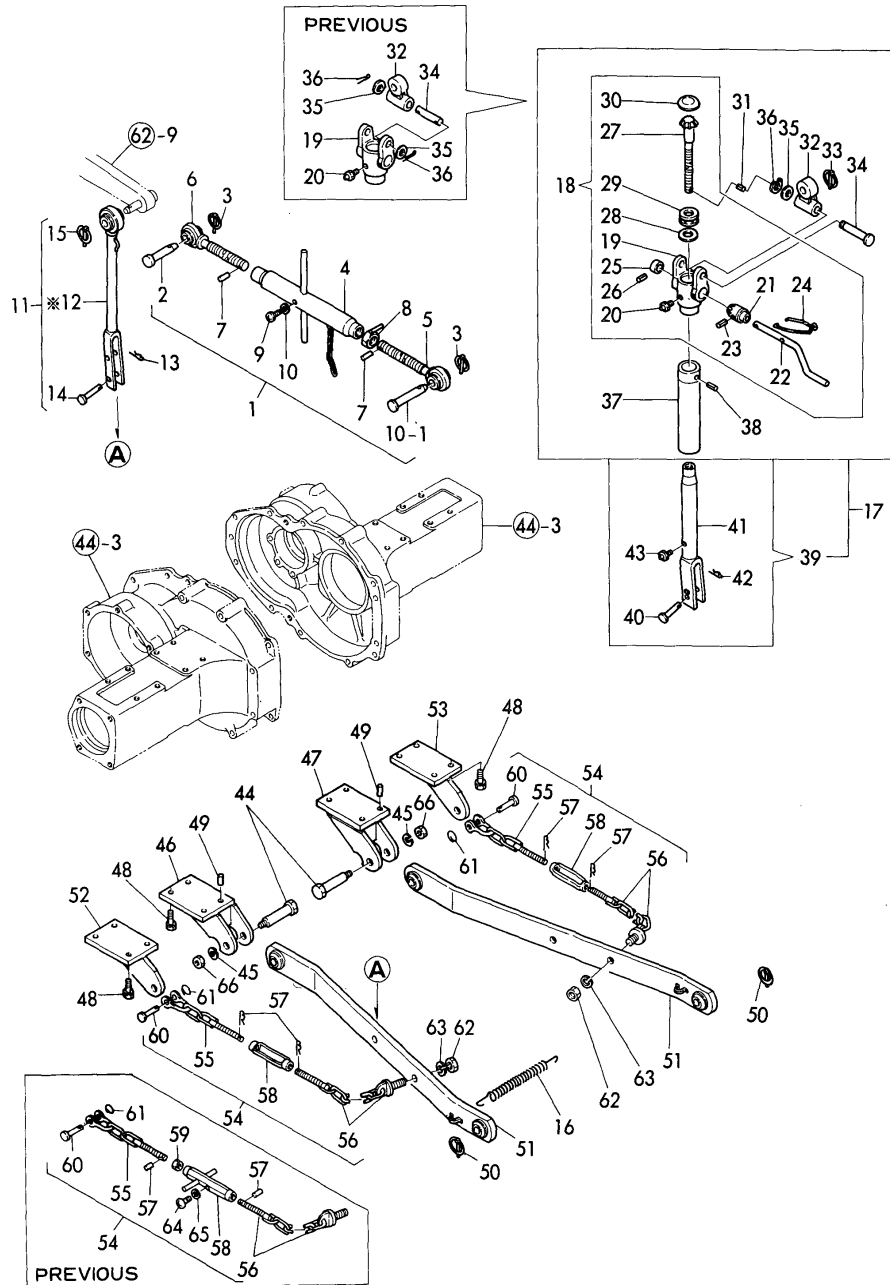
N:Old ↔ New, Q:Old ↔ New, R:Old ↔ New, S:Old ↔ New, W:Add, Z:Discontinued, F:Set Change, K:Q'ty Change  
(C)Copy Rights YANMAR CO.,LTD and YANMAR AGRICULTURAL EQUIPMENT CO.,LTD.

Fig.78. THREE-POINT HITCH

(A)=YM330  
(B)=YM330D  
(C)=

(D)=  
(E)=  
(F)=

Fig.78 THREE-POINT HITCH



REF.	LEV.	PARTS NO.	DESCRIPTION	Q'TY						I	R
				(A)	(B)	(C)	(D)	(E)	(F)		
1	1	794275-71500-X	LINK ASSY, TOP	1	1						
2	2	194150-71230	PIN, TOP LINK	2	2						
3	2	794130-71410	PIN ASSY,BALL SOCKET	2	2						
4	2	194145-71500-X	TURNBUCKLE	1	1						
5	2	194275-71600-X	EYE-BOLT (R)	1	1						
5-1	2	194322-71600-X	EYE-BOLT (R)	1	1						N
		(A=*1983.09) (B=*1983.09)									
6	2	194275-71700-X	EYE-BOLT (L)	1	1						
6-1	2	194322-71700-X	EYE-BOLT (L)	1	1						N
		(A=*1983.09) (B=*1983.09)									
7	2	22351-040024	SPRING PIN 4X24	2	2						
8	2	194145-71750	LOCK NUT M24	1	1						
8-1	2	26756-240002	LOCK NUT M24 PLATED	1	1						R
		(A=*1981.09) (B=*1981.09)									
9	2	26557-060102	SCREW M 6X 10	1	1						
10	2	22217-060000	SPRING WASHER 6	1	1						
11	1	794275-72530-X	LINK(L) ASSY, LIFT	1	1						
13	2	22360-160000	SNAP PIN 16	1	1						
14	2	194145-72550	PIN, LIFT YOKE	1	1						
15	2	794130-71410	PIN ASSY,BALL SOCKET	1	1						
16	1	194145-73150	SPRING	1	1						
17	1	794275-72100-X	LINK(R) ASSY, LIFT	1	1						
17-1	1	794275-72101-X	LINK(R) ASSY, LIFT	1	1						S 1
		(A=*1980.09) (B=*1980.09)									
18	2	194145-72600-X	GEAR ASSY, ADJUSTING	1	1						
18-1	2	194145-72601-X	GEAR ASSY, ADJUSTING	1	1						S
		(A=*1980.09) (B=*1980.09)									
19	3	194145-72610-X	HOUSING, ADJUST	1	1						
19-1	3	194145-72611-X	HOUSING, ADJUST	1	1						S
		(A=*1980.09) (B=*1980.09)									
20	3	194151-11480	GREASE NIPPLE A	1	1						
20-1	3	24764-060000	NIPPLE MT6X1,GREASE	1	1						R
		(A=*) (B=*)									
20-2	3	24761-060000	NIPPLE MT6X1, GREASE	1	1						R
		(A=*) (B=*)									
21	3	194145-72620	PINION, ADJUST	1	1						
22	3	194145-72630-X	HANDLE	1	1						
23	3	22351-060025	SPRING PIN 6X25	1	1						
24	3	194145-72710	STOPPER	1	1						
25	3	194145-72640	COLLAR	1	1						
25-1	3	194145-72641	COLLAR	1	1						R
		(A=*1983.11) (B=*1983.11)									
26	3	22351-060020	SPRING PIN 6X20	1	1						
27	3	194145-72671	GEAR, ADJUST	1	1						
28	3	194145-72680	SHIM (T=0.2)	1	1						Z
		(A=*1980.09) (B=*1980.09)									
29	3	194145-72690	BALL BEARING	1	1						
29-1	3	194080-08240	BALL BEARING	1	1						S
		(A=*1980.09) (B=*1980.09)									
29-2	2	24520-511040	BEARING 51104	1	1						R 1
		(A=*1990.09) (B=*1990.09)									

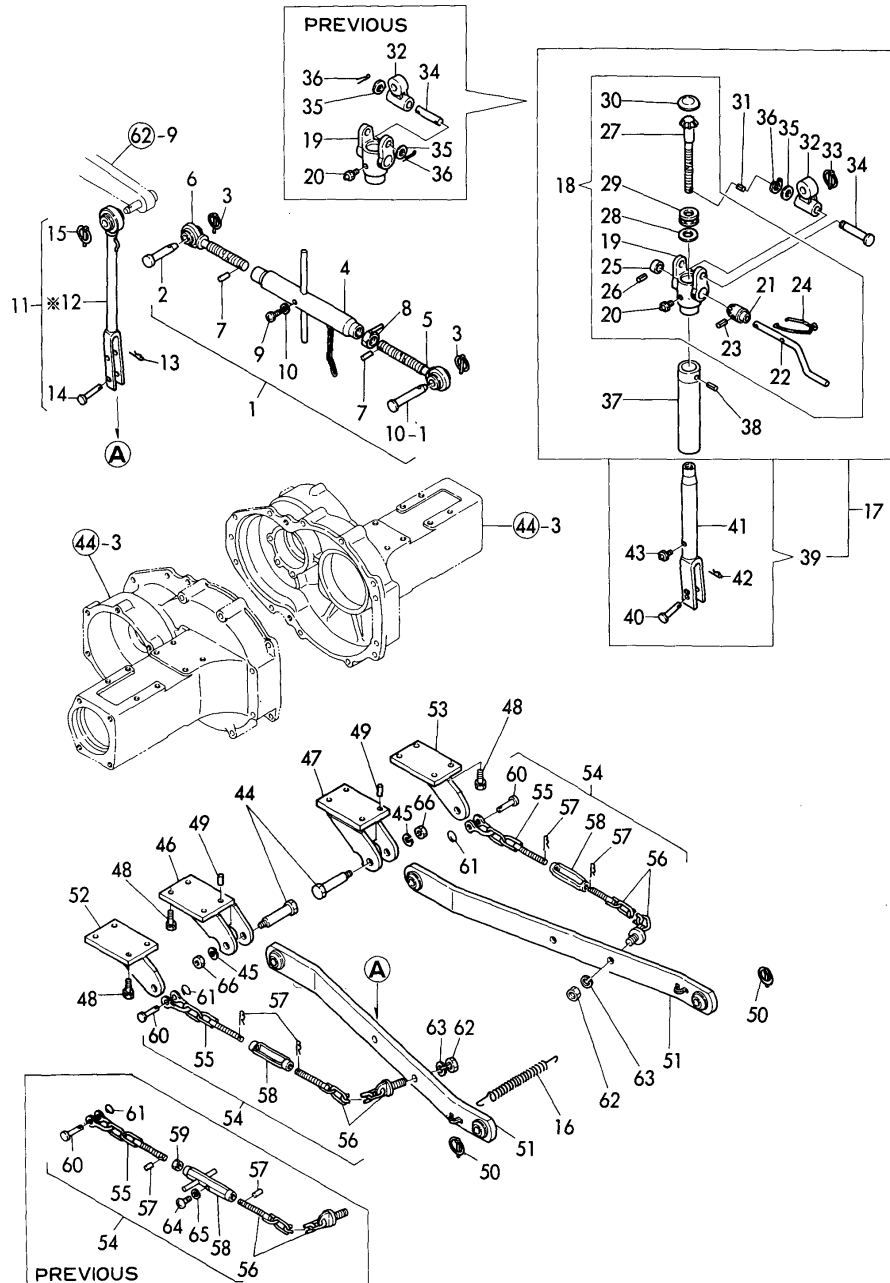
N:Old ↔ New, Q:Old ↔ New, R:Old ↔ New, S:Old ↔ New, W:Add, Z:Discontinued, F:Set Change, K:Q'ty Change  
++ CONTINUE ++ (C)Copy Rights YANMAR CO.,LTD and YANMAR AGRICULTURAL EQUIPMENT CO.,LTD.

Fig.78. THREE-POINT HITCH

(A)=YM330  
(B)=YM330D  
(C)=

(D)=  
(E)=  
(F)=

Fig.78 THREE-POINT HITCH



REF.	LEV.	PARTS NO.	DESCRIPTION	Q'TY						I	R
				(A)	(B)	(C)	(D)	(E)	(F)		
30	3	27233-450000	PLUG 45	1	1						
30-1	2	27231-450000	PLUG 45	1	1						R
		(A=*) (B=*)									
31	2	22351-040020	SPRING PIN 4X20	1	1						
32	2	194145-72750-X	JOINT, CROSS	1	1						
33	2	794130-71410	PIN ASSY,BALL SOCKET	1	1						
34	2	194145-72760	PIN	1	1						
34-1	2	194145-72761	PIN	1	1						S 2
		(A=*1983.10) (B=*1983.10)									
35	2	22137-160000	WASHER 16,POLISHED	2	2						
35-1	2	22137-160000	WASHER 16,POLISHED	1	1						K
		(A=*) (B=*)									
36	2	22417-400300	COTTER PIN 4.0X30	2	2						
36-1	2	22242-000150	CIRCLIP 15	1	1						S 2
		(A=*1983.10) (B=*1983.10)									
37	2	194145-72841	COVER, DUST	1	1						
38	2	22351-050010	SPRING PIN 5X10	1	1						
39	2	794275-72800	YOKE(R)ASSY,LIFTLINK	1	1						
40	3	194145-72550	PIN, LIFT YOKE	1	1						
41	3	194275-72800	YOKE	1	1						
42	3	22360-160000	SNAP PIN 16	1	1						
43	3	194151-11480	GREASE NIPPLE A	1	1						
43-1	3	24764-060000	NIPPLE MT6X1,GREASE	1	1						R
		(A=*) (B=*)									
43-2	1	24761-060000	NIPPLE MT6X1, GREASE	1	1						R
		(A=*) (B=*)									
44	1	194275-73180	BOLT, LOWER LINK	2	2						
45	1	22217-160000	SPRING WASHER 16	2	2						
46	1	194275-73110-X	BRACKET (L), LINK	1	1						
47	1	194275-73120-X	BRACKET (R), LINK	1	1						
48	1	26013-120302	BOLT W/WASHER M12X30	14	14						
49	1	22312-120220	PARALLEL PIN 12X22	2	2						
50	1	794130-71410	PIN ASSY,BALL SOCKET	2	2						
51	1	194275-73410-X	LINK ASSY, LOWER	2	2						
51-1	1	194275-73411-X	LINK ASSY, LOWER	2	2						N
		(A=*1982.10) (B=*1982.10)									
51-2	1	194275-73412-X	LINK ASSY, LOWER	2	2						N
		(A=*1984.12) (B=*1984.12)									
52	1	194145-74150-X	BRACKET (L)	1	1						
53	1	194145-74240-X	BRACKET (R)	1	1						
54	1	794145-74500-X	CHAIN ASSY, CHECK	2	2						
54-1	1	794275-74500-X	CHAIN ASSY, CHECK	2	2						R
		(A=*) (B=*)									
55	2	194145-74500	CHAIN, CHECK	2	2						
55-1	2	194464-74510	CHAIN, CHECK	2	2						S 3
		(A=*) (B=*)									
56	2	194145-74600	CHAIN, CHECK	2	2						
57	2	22351-040014	SPRING PIN 4X14	4	4						
57-1	2	22360-200000	SNAP PIN 20	4	4						S 3
		(A=*) (B=*)									
58	2	194145-74710	TURNBUCKLE, CHAIN	2	2						

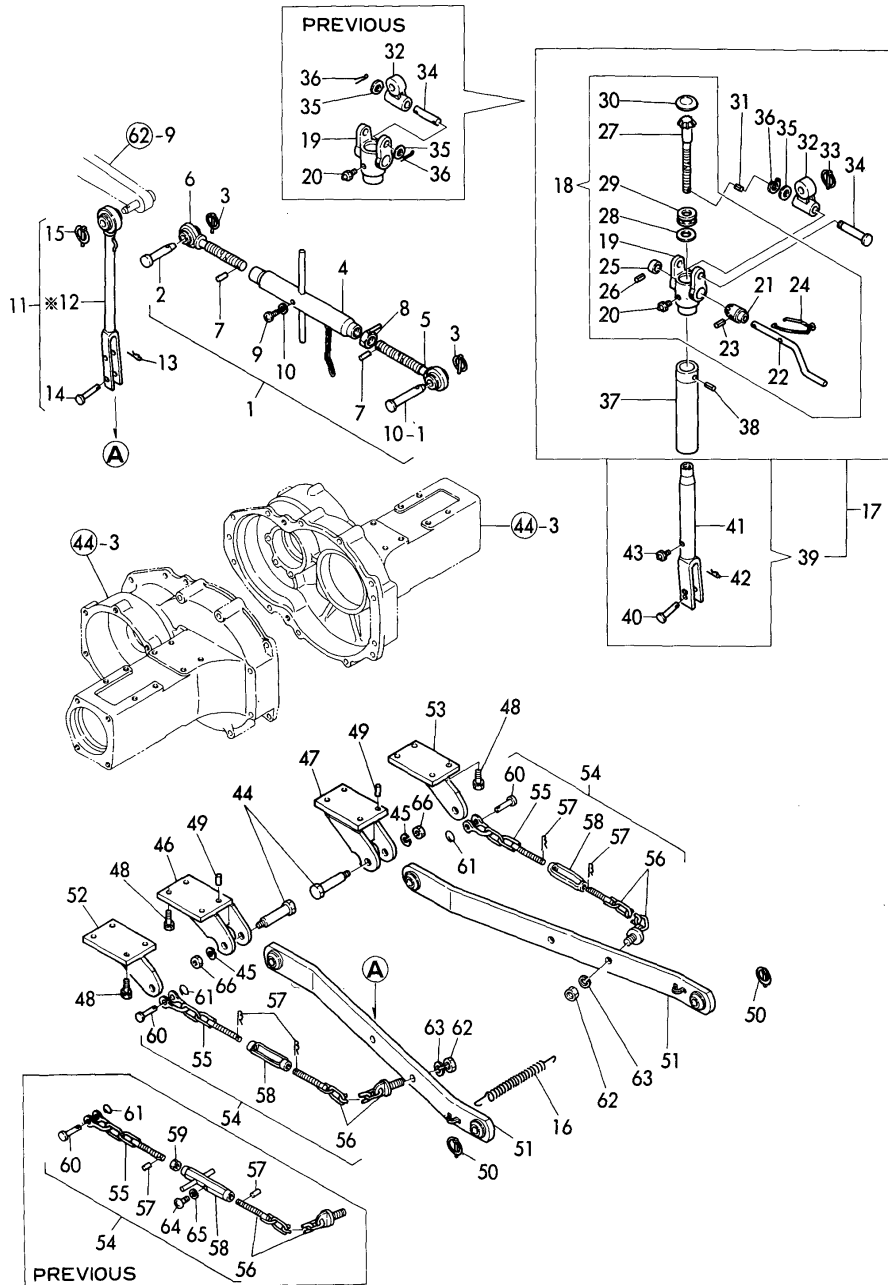
N:Old ↔ New, Q:Old ↔ New, R:Old ↔ New, S:Old ↔ New, W:Add, Z:Discontinued, F:Set Change, K:Q'ty Change  
++ CONTINUE ++ (C)Copy Rights YANMAR CO.,LTD and YANMAR AGRICULTURAL EQUIPMENT CO.,LTD.

Fig.78. THREE-POINT HITCH

(A)=YM330  
(B)=YM330D  
(C)=

(D)=  
(E)=  
(F)=

Fig.78 THREE-POINT HITCH

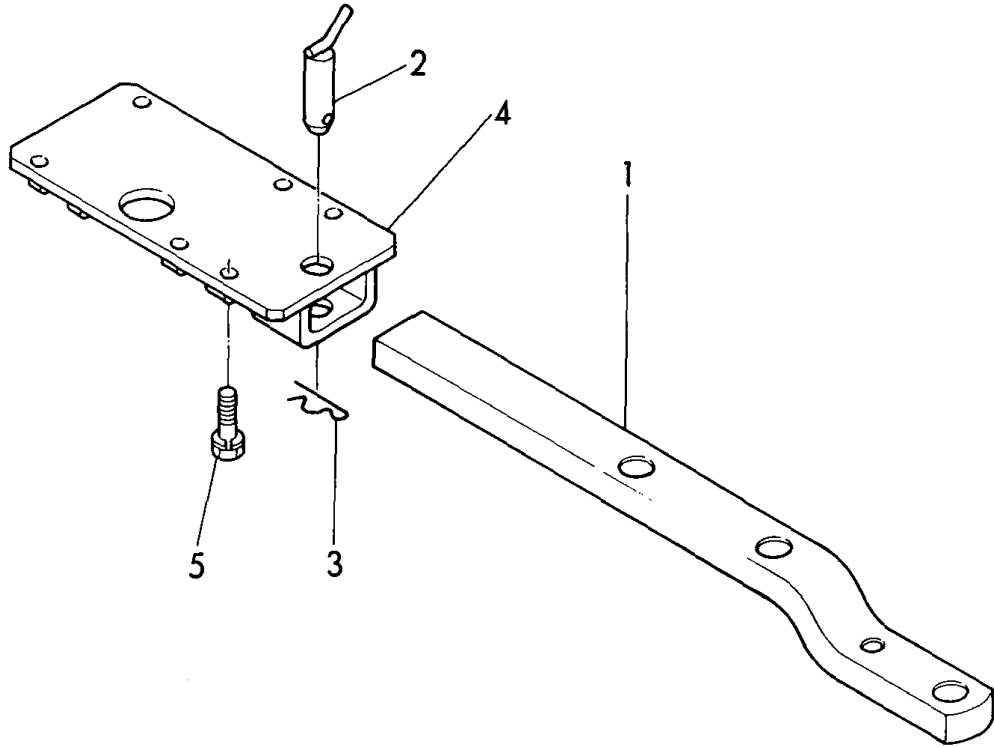


REF.	LEV.	PARTS NO.	DESCRIPTION	Q'TY						I	R
				(A)	(B)	(C)	(D)	(E)	(F)		
58-1	2	194464-74710 (A=*)	TURNBUCKLE, CHAIN (B=*)	2	2					S	3
59	2	26756-140002 (A=*)	LOCK NUT M14 PLATED (B=*)	2	2					Z	
60	2	194080-74631	PIN (SA10), SHACKLE	2	2						
61	2	194145-75250	RING	2	2						
62	2	26736-160002	NUT M16	2	2						
63	2	22217-160000	SPRING WASHER 16	2	2						
64	2	26557-060102	SCREW M 6X 10	2	2					Z	
65	2	22217-060000 (A=*)	SPRING WASHER 6 (B=*)	2	2					Z	
66	1	26716-160002	NUT M16	2	2						

N:Old → New, Q:Old → New, R:Old → New, S:Old → New, W:Add, Z:Discontinued, F:Set Change, K:Q'ty Change  
(C)Copy Rights YANMAR CO.,LTD and YANMAR AGRICULTURAL EQUIPMENT CO.,LTD.

Fig.79. REAR HITCH(U.S.A.)

# Fig.79 REAR HITCH



(A)=YM330  
(B)=YM330D  
(C)=

(D)=  
(E)=  
(F)=

REF.	LEV.	PARTS NO.	DESCRIPTION	Q'TY						I	R
				(A)	(B)	(C)	(D)	(E)	(F)		
1	1	194275-75210-X	DRAWBER, REAR	1	1						
2	1	194275-75430	PIN 28X 80, HITCH	1	1						
3	1	194080-75790	PIN 28, SNAP	1	1						
4	1	194275-75720-X	BRACKET, DRAWBER	1	1						
5	1	26013-140352	BOLT W/WASHER M14X35	6	6						
5-1	1	26013-140302	BOLT M14X 30	6	6						R

(A=\*) (B=\*)

---

---

---

---

---

---

---

---

---

---

---

---

---

---

---

---

---

---

---

---

---

---

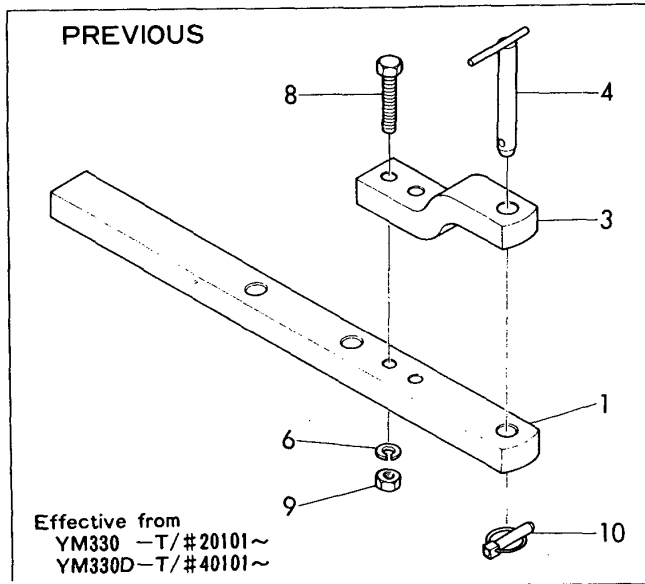
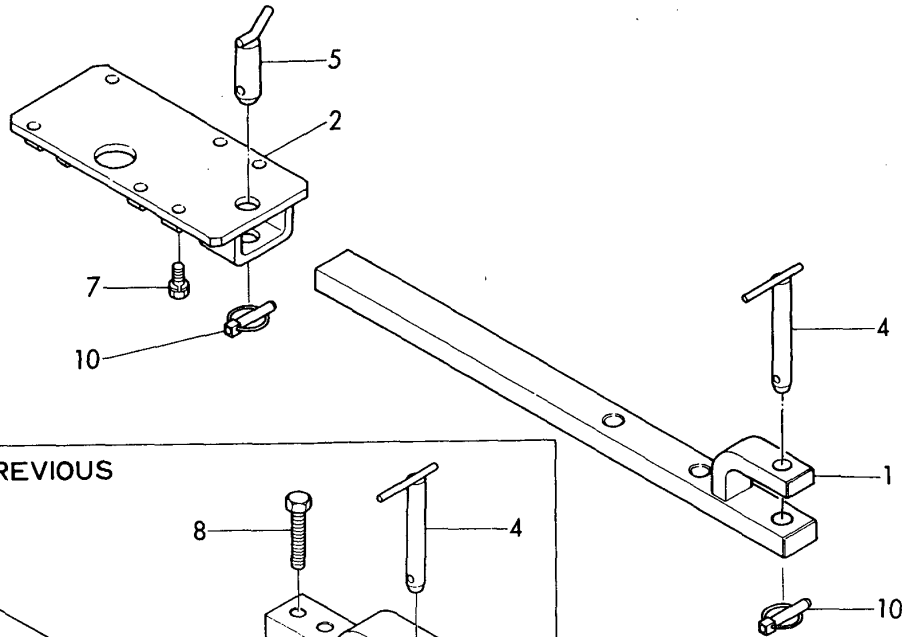
---

---

---

Fig.80. REAR HITCH(PORTUGAL)

Fig. **80** REAR HITCH



(A)=YM330  
 (B)=YM330D  
 (C)=

(D)=  
 (E)=  
 (F)=

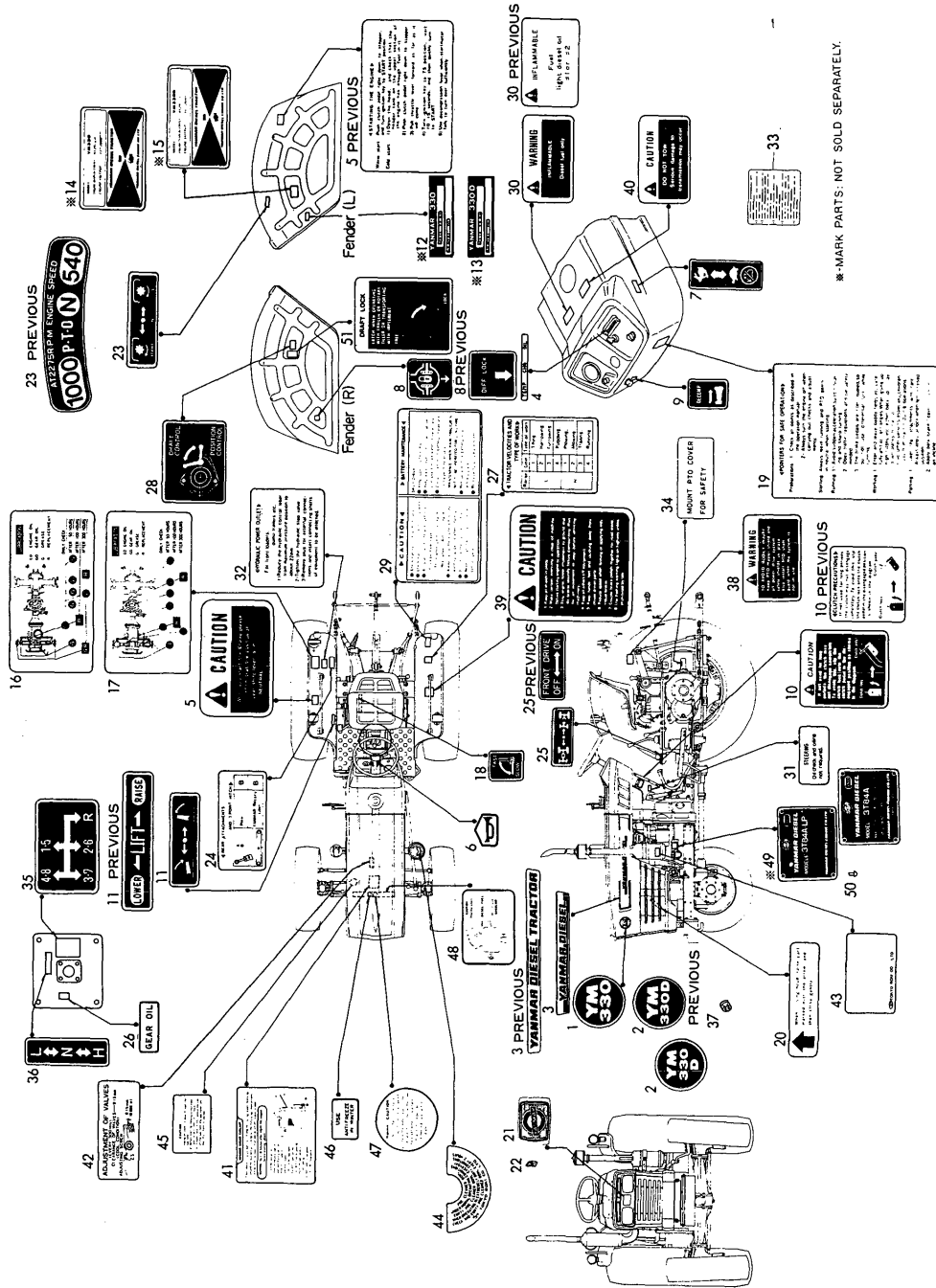
REF.	LEV.	PARTS NO.	DESCRIPTION	Q'TY						I	R
				(A)	(B)	(C)	(D)	(E)	(F)		
1	1	194270-75710	DRAWBAR	1	1						
2	1	194275-75720-X	BRACKET, DRAWBER	1	1						
3	1	194242-75730-X	HITCH, DRAWBER	1	1						
4	1	194242-75740	PIN 22X163.5, HITCH	1	1						
5	1	194270-75750	PIN 28X 90, HITCH	1	1						
6	1	22217-160000	SPRING WASHER 16	2	2						
7	1	26013-140302	BOLT M14X 30	6	6						
8	1	26116-160902	BOLT M16X 90 PLATED	2	2						
9	1	26716-160002	NUT M16	2	2						
10	1	794130-71410	PIN ASSY,BALL SOCKET	2	2						



Fig.81. LABELS (ENGLISH)

(A)=YM330  
(B)=YM330D  
(C)=

(D)=  
(E)=  
(F)=



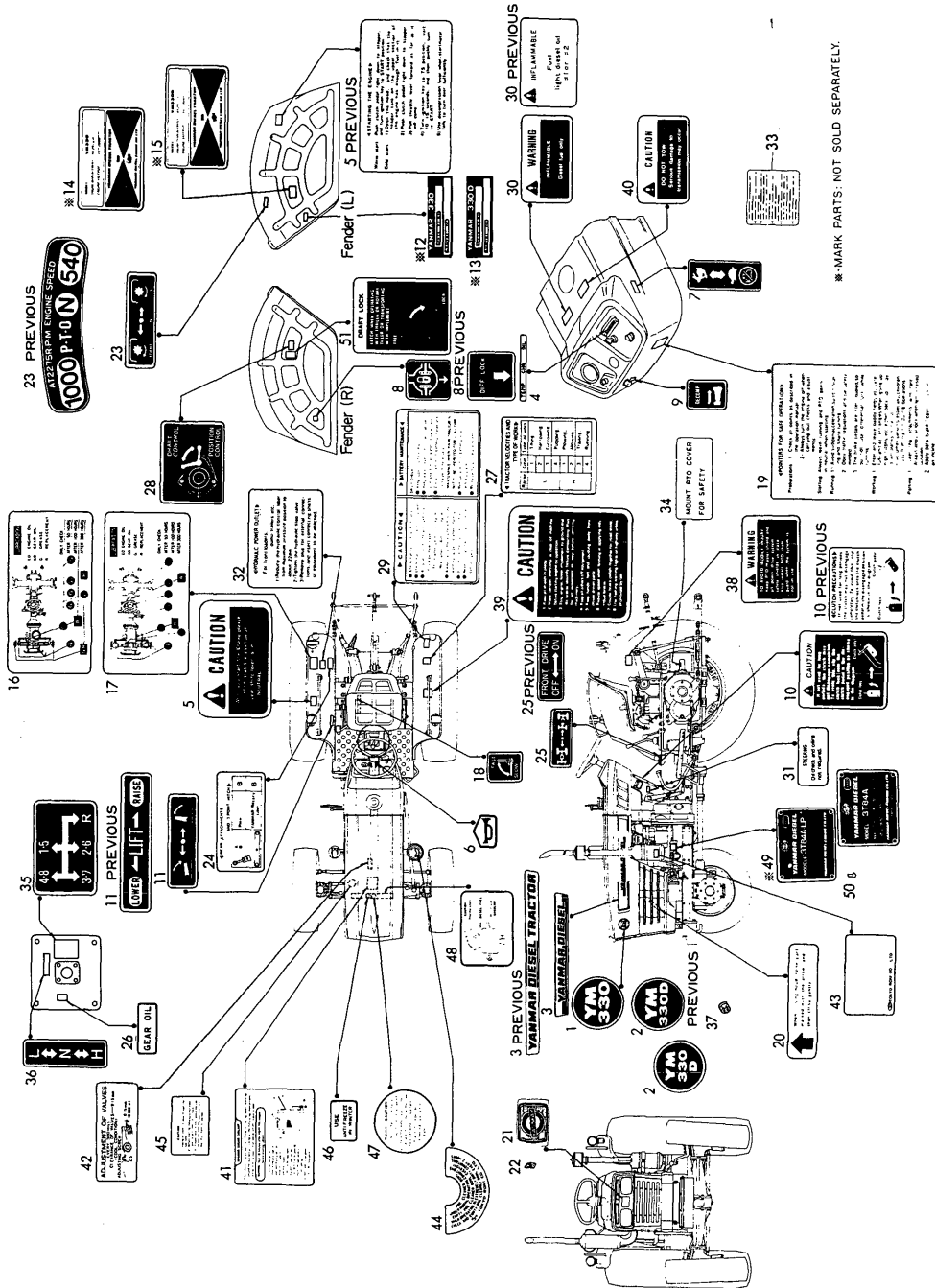
REF.	LEV.	PARTS NO.	DESCRIPTION	Q'TY						I	R
				(A)	(B)	(C)	(D)	(E)	(F)		
1	1	194273-64720	LABEL, SIDE	2							
1-1	1	194273-64721	LABEL, SIDE	2							R
		(A=*)									
1-2	1	194273-64722	LABEL, SIDE	2							R
		(A=*)									
2	1	194274-64720	LABEL, SIDE		2						
2-1	1	194274-64721	LABEL, SIDE		2						R
		(B=*)									
2-2	1	194274-64722	LABEL, SIDE		2						R
		(B=*)									
3	1	194371-64750	LABEL, MODEL	2	2						
3-1	1	194371-64751	LABEL, MODEL	2	2						R
		(A=*) (B=*)									
4	1	194151-65310	LABEL, PILOT LAMP	1	1						
5	1	194370-65350	LABEL, ENG. STARTING	1	1						
5-1	1	194240-65620	LABEL, CAUTION	1	1						R
		(A=*) (B=*)									
5-2	1	194270-65350	LABEL, ENGINE START	1	1						R
		(A=*) (B=*)									
6	1	194130-65380	LABEL, HORN SWITCH	1	1						Z
		(A=*) (B=*)									
7	1	194240-65431	LABEL, THROTTLE LEVER	1	1						
7-1	1	194240-65432	LABEL, THROTTLE LEVER	1	1						R
		(A=*) (B=*)									
8	1	194240-65440	LABEL, DIFF. LOCK	1	1						
8-1	1	194240-65441	LABEL, DIFF. LOCK	1	1						R
		(A=*) (B=*)									
9	1	194370-65450	LABEL, DECOMPRESSION	1	1						
9-1	1	194370-65451	LABEL, DECOMPRESSION	1	1						R
		(A=*) (B=*)									
10	1	194370-65460	LABEL, CLUTCH CAUTION	1	1						
10-1	1	194370-65461	LABEL, CLUTCH CAUTION	1	1						R
		(A=*) (B=*)									
11	1	194240-65510	LABEL, HYDRAULIC LIFT	1	1						
11-1	1	194240-65511	LABEL, HYDRAULIC LIFT	1	1						R
		(A=*) (B=*)									
16	1	194370-65560	LABEL, LUBRICATION	1							
16-1	1	194322-65561	LABEL, LUBRICATION	1							N
		(A=*)									
17	1	194241-65550	LABEL, LUBRICATION		1						
17-1	1	194323-65561	LABEL, LUBRICATION		1						N
		(B=*)									
18	1	194273-65570	LABEL, SLOW RETURN	1	1						
18-1	1	194273-65571	LABEL, SLOW RETURN	1	1						R
		(A=*) (B=*)									
19	1	194370-65570	LABEL, SAFE OPERATION	1	1						Z
		(A=*) (B=*)									
20	1	194370-65580	LABEL, HOOD	1	1						
21	1	194200-65601	EMBLEM, FRONT	1	1						
22	1	194200-65610	NUT 5	2	2						
23	1	194273-65610	LABEL, P.T.O. SHIFT	1	1						

N:Old ↔ New, Q:Old ↔ New, R:Old ↔ New, S:Old ↔ New, W:Add, Z:Discontinued, F:Set Change, K:Q'ty Change  
 ++ CONTINUE ++  
 (C)Copy Rights YANMAR CO.,LTD and YANMAR AGRICULTURAL EQUIPMENT CO.,LTD.

Fig.81. LABELS (ENGLISH)

(A)=YM330  
(B)=YM330D  
(C)=

(D)=  
(E)=  
(F)=



REF.	LEV.	PARTS NO.	DESCRIPTION	QTY						I	R
				(A)	(B)	(C)	(D)	(E)	(F)		
23-1	1	194273-65611	LABEL, P.T.O. SHIFT	1	1						R
		(A=*) (B=*)									
24	1	194370-65830	LABEL, 3-POINT HITCH	1	1						
25	1	194274-65620	LABEL, 4-DRIVE WHEEL			1					
25-1	1	194447-65621	LABEL, 4-DRIVE WHEEL			1					R
		(B=*)									
26	1	194240-65630	LABEL, GEAR OIL	1	1						
26-1	1	194446-65630	LABEL, GEAR OIL	1	1						N
		(A=*) (B=*)									
27	1	194370-65640	LABEL, WORKING	1	1						
28	1	194273-65650	LABEL, DRAFT CHANGE	1	1						
28-1	1	194273-65651	LABEL, DRAFT CHANGE	1	1						R
		(A=*) (B=*)									
29	1	194370-65660	LABEL, CAUTION	1	1						
29-1	1	194240-65660	LABEL, CAUTION	1	1						N
		(A=*1980.03) (B=*1980.03)									
29-2	1	194240-65660	LABEL, CAUTION	1	1						Z
		(A=*) (B=*)									
30	1	194240-65670	LABEL, FUEL INDICAT.	1	1						
30-1	1	194240-65671	LABEL, FUEL INDICAT.	1	1						R
		(A=*) (B=*)									
31	1	194370-65680	LABEL, STEERING	1	1						
32	1	194370-65690	LABEL, POWER OUTLET	1	1						Z
		(A=*) (B=*)									
33	1	194370-65700	LABEL, BATTERY	1	1						Z
		(A=*1980.03) (B=*1980.03)									
34	1	194240-65710	LABEL, P.T.O. COVER	1	1						Z
		(A=*) (B=*)									
35	1	194275-65710	LABEL, MAIN SHIFT	1	1						
36	1	194370-65730	LABEL, RANGE SHIFT	1	1						
37	1	194990-22120	NUT W/WASHER 5	4	4						W
		(A=*) (B=*)									
38	1	194170-65620	LABEL, WARNING	1	1						
39	1	194275-65660	LABEL, CAUTION	1	1						
40	1	194446-65681	LABEL, DO NOT TOW	1	1						
41	1	121254-07150	LABEL, WATER DRAIN	1	1						
42	1	124764-07160	LABEL, VALVE ADJUST	1	1						
43	1	121454-12520	LABEL, AIR-CLEANER	1	1						
44	1	121454-12480	LABEL, PRE-CLEANER	1	1						
45	1	124764-44810	LABEL, RESERVE TANK	1	1						
46	1	124764-44920	LABEL, ANTI-FREEZING	1	1						
47	1	124764-44800	LABEL, RADIATOR	1	1						
48	1	124764-77980	LABEL, FUEL CAUTION	1	1						
50	1	102210-07990	RIVET	4	4						
51	1	194322-65861	LABEL, DRAFT LOCK	1	1						W
		(A=*) (B=*)									

Fig. 81 LABELS (ENGLISH) (1)

Fig.82. LABELS (FRENCH)

(A)=YM330  
(B)=YM330D  
(C)=

(D)=  
(E)=  
(F)=

REF.	LEV.	PARTS NO.	DESCRIPTION	Q'TY						I	R
				(A)	(B)	(C)	(D)	(E)	(F)		
1	1	194240-98250	LABEL, KEY SWITCH	1	1						1
2	1	194240-98230	LABEL, CAUTION	1	1						
3	1	194240-98330	LABEL, AIR-PRESSURE	1	1						
4	1	194273-64720	LABEL, SIDE	2							
4-1	1	194273-64721	LABEL, SIDE	2							R
4-2	1	194273-64722	LABEL, SIDE	2							F
5	1	194274-64720	LABEL, SIDE		2						
5-1	1	194274-64721	LABEL, SIDE		2						R
5-2	1	194274-64722	LABEL, SIDE		2						F
6	1	194371-64750	LABEL, MODEL	2	2						
6-1	1	194371-64751	LABEL, MODEL	2	2						R
7	1	194240-98240	LABEL, PILOT	1	1						
7-1	1	194240-98241	LABEL, PILOT	1	1						R
8	1	194240-98400	LABEL, STARTING	1	1						Z
9	1	194130-65380	LABEL, HORN SWITCH	1	1						Z
10	1	194240-65431	LABEL, THROTTLE LEVER	1	1						
10-1	1	194240-65432	LABEL, THROTTLE LEVER	1	1						R
11	1	194240-98360	LABEL, DIFF. LOCK	1	1						
11-1	1	194240-65441	LABEL, DIFF. LOCK	1	1						R
12	1	194340-98270	LABEL, DECOMPRESSION	1	1						
12-1	1	194370-65451	LABEL, DECOMPRESSION	1	1						R
13	1	194240-98280	LABEL, CAUTION	1	1						
13-1	1	194240-98281	LABEL, CLUTCH	1	1						R
14	1	194240-98380	LABEL, INDICATION	1	1						
14-1	1	194240-65511	LABEL, HYDRAULIC LIFT	1	1						R
19	1	194240-98300	LABEL, LUBRICATION	1							
20	1	194240-98310	LABEL, LUBRICATION		1						
21	1	194273-98430	LABEL, SLOW RETURN	1	1						
21-1	1	194273-98431	LABEL, SLOW RETURN	1	1						R
22	1	194273-98460	LABEL, BONNET	1	1						
23	1	194200-65601	EMBLEM, FRONT	1	1						
24	1	194200-65610	NUT 5	2	2						
25	1	194273-98340	LABEL, SPEED CONTROL	1	1						
25-1	1	194273-65611	LABEL, P.T.O. SHIFT	1	1						R
26	1	194274-98350	LABEL, FRONT DRIVE		1						
26-1	1	194447-65621	LABEL, 4-DRIVE WHEEL		1						R
27	1	194240-98290	LABEL, INDICATION	1	1						
27-1	1	194448-65630	LABEL, GEAR OIL	1	1						R
28	1	194273-98450	LABEL	1	1						
29	1	194273-98440	LABEL	1	1						
29-1	1	194273-98441	LABEL, CHANGE	1	1						R
30	1	194240-98320	LABEL, LUBRICATION	1	1						Z
31	1	194240-98220	LABEL, INDICATION	1	1						
31-1	1	194240-98221	LABEL, FUEL OIL	1	1						R
32	1	194273-98470	LABEL, STEERING	1	1						
33	1	194240-98410	LABEL, P.T.O. COVER	1	1						Z
34	1	194275-65710	LABEL, MAIN SHIFT	1	1						
35	1	194370-65730	LABEL, RANGE SHIFT	1	1						1
35-1	1	194273-98370	LABEL	1	1						
36	1	194448-65620	LABEL, WARNING	1	1						
37	1	194448-65660	LABEL, CAUTION	1	1						

Fig.82. LABELS (FRENCH)

Y00T2341 82. LABELS (FRENCH)

(A)=YM330  
(B)=YM330D  
(C)=

(D)=  
(E)=  
(F)=

REF.	LEV.	PARTS NO.	DESCRIPTION	Q'TY						I	R
				(A)	(B)	(C)	(D)	(E)	(F)		
38	1	194448-65680	LABEL, DO NOT TOW	1	1						
39	1	194324-65860	LABEL, DRAFT LOCK	1	1						
40	1	194990-22120	NUT W/WASHER 5	4	4						W
41	1	121241-07150	LABEL, WATER DRAIN	1	1						
42	1	124740-07160	LABEL, ADJ	1	1						
43	1	121440-12480	LABEL, AIR CLEANER(F	1	1						
44	1	121440-12520	LABEL, PRE-CLEANER(F	1	1						
45	1	124740-44810	LABEL, SUB-TANK	1	1						
46	1	124740-44920	LABEL, ANTI-FREEZING	1	1						
47	1	124740-44800	LABEL, RADIATOR	1	1						
48	1	124740-77980	LABEL, FUEL CAUTION	1	1						
50	1	102210-07990	RIVET	4	4						

Fig.83. LABELS (PORTUGUESE)

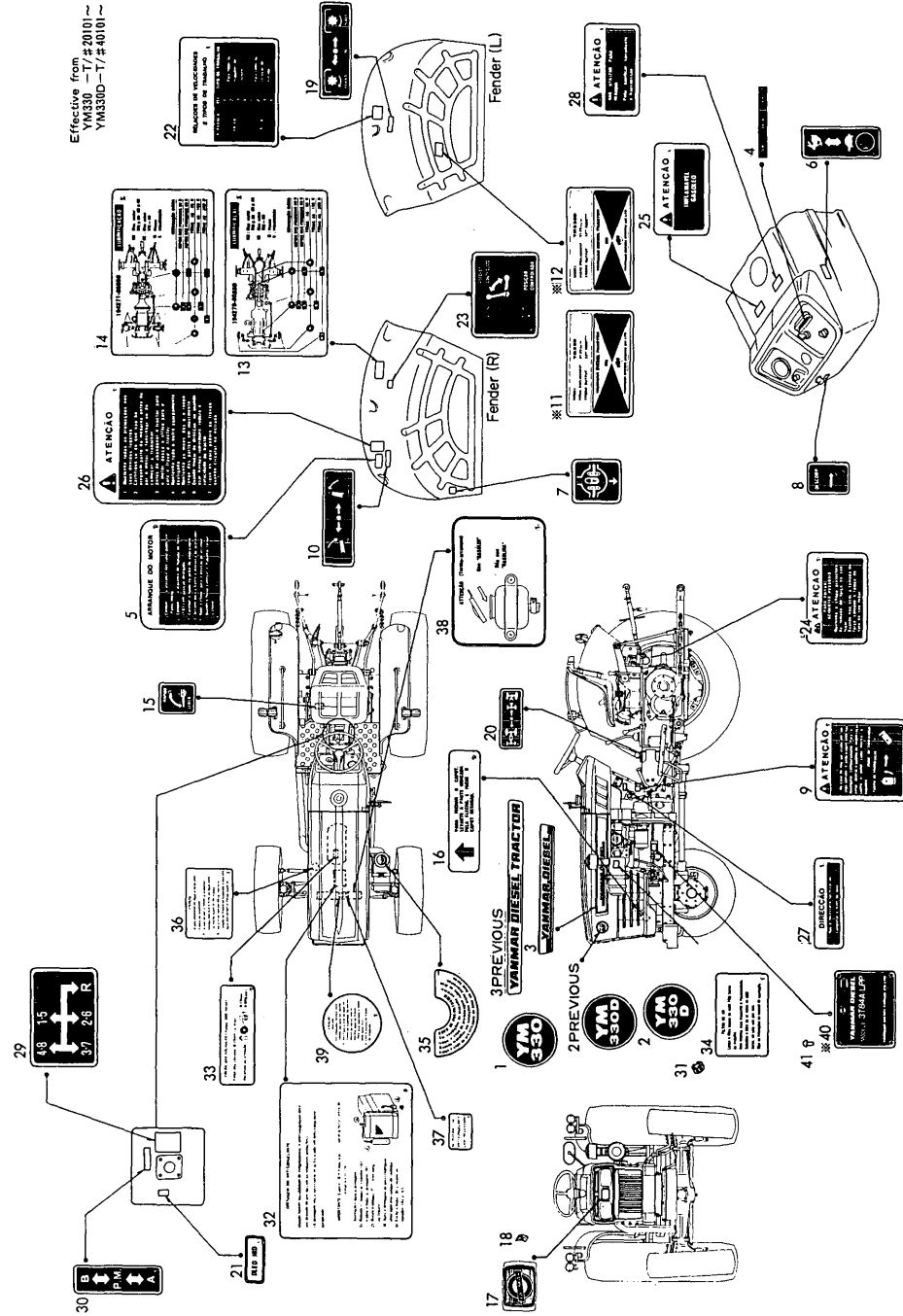


Fig.83 LABELS (PORTUGUESE) (3)

Y00T2341 83. LABELS (PORTUGUESE)

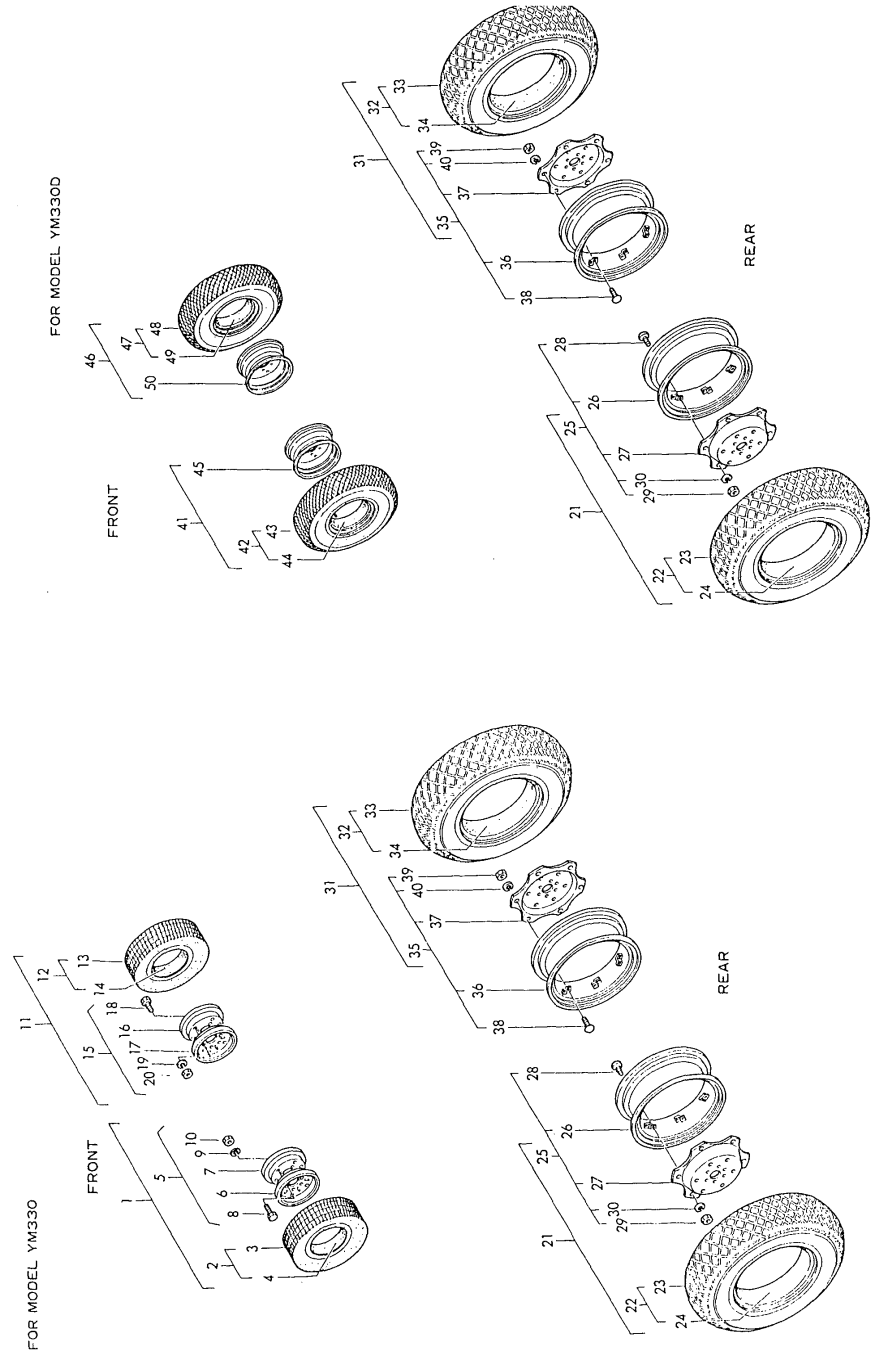
(A)=YM330  
(B)=YM330D  
(C)=

(D)=  
(E)=  
(F)=

REF.	LEV.	PARTS NO.	DESCRIPTION	Q'TY						I	R
				(A)	(B)	(C)	(D)	(E)	(F)		
1	1	194273-64721	LABEL, SIDE	2							
1-1	1	194273-64722	LABEL, SIDE	2							F
2	1	194274-64721	LABEL, SIDE		2						
2-1	1	194274-64722	LABEL, SIDE		2						F
3	1	194371-64750	LABEL, MODEL	2	2						
3-1	1	194371-64751	LABEL, MODEL	2	2						R
4	1	194270-65310	LABEL, PILOT	1	1						
5	1	194242-65350	LABEL, ENG. STARTING	1	1						
6	1	194240-65432	LABEL, THROTTLE LEVER	1	1						
7	1	194240-65441	LABEL, DIFF. LOCK	1	1						
8	1	194242-65450	LABEL, DECOMPRESSION	1	1						
9	1	194242-65460	LABEL, CLUTCH CAUTION	1	1						
10	1	194240-65511	LABEL, HYDRAULIC LIFT	1	1						
13	1	194270-65550	LABEL, LUBRICATION	1							
14	1	194271-65550	LABEL, LUBRICATION			1					
15	1	194270-65570	LABEL, SLOW RETURN	1	1						
16	1	194270-65580	LABEL, HOOD	1	1						
17	1	194200-65601	EMBLEM, FRONT	1	1						
18	1	194200-65610	NUT 5	2	2						
19	1	194273-65611	LABEL, P.T.O. SHIFT	1	1						
20	1	194447-65621	LABEL, 4-DRIVE WHEEL		1						
21	1	194242-65630	LABEL, GEAR OIL	1	1						
22	1	194270-65640	LABEL, WORKING	1	1						
23	1	194270-65650	LABEL, P. D. CHANGE	1	1						
24	1	194242-65620	LABEL, WARNING	1	1						
25	1	194242-65670	LABEL, FUEL INDICAT.	1	1						
26	1	194242-65660	LABEL, CAUTION	1	1						
27	1	194242-65690	LABEL, STEERING	1	1						
28	1	194242-65680	LABEL, CAUTION	1	1						
29	1	194275-65710	LABEL, MAIN SHIFT	1	1						
30	1	194270-65730	LABEL, RANGE SHIFT	1	1						
31	1	194990-22120	NUT W/WASHER 5	4	4						
32	1	121243-07150	LABEL, WATER DRAIN	1	1						
33	1	124742-07160	LABEL, VALVE (PORTUGAL)	1	1						
34	1	124742-12480	LABEL (PORTUGAL)	1	1						
35	1	124742-12520	LABEL (PORTUGAL)	1	1						
36	1	124742-44810	LABEL (PORTUGAL)	1	1						
37	1	124742-44920	LABEL (PORTUGAL)	1	1						
38	1	124742-77980	LABEL, PORTUGAL	1	1						
39	1	124742-44800	LABEL (PORTUGAL)	1	1						
41	1	102210-07990	RIVET	4	4						

Fig.84. TURF-TIRES (FRONT & REAR)

Fig. 84 TURF-TIRES (FRONT & REAR)



(A)=YM330  
(B)=YM330D  
(C)=

(D)=  
(E)=  
(F)=

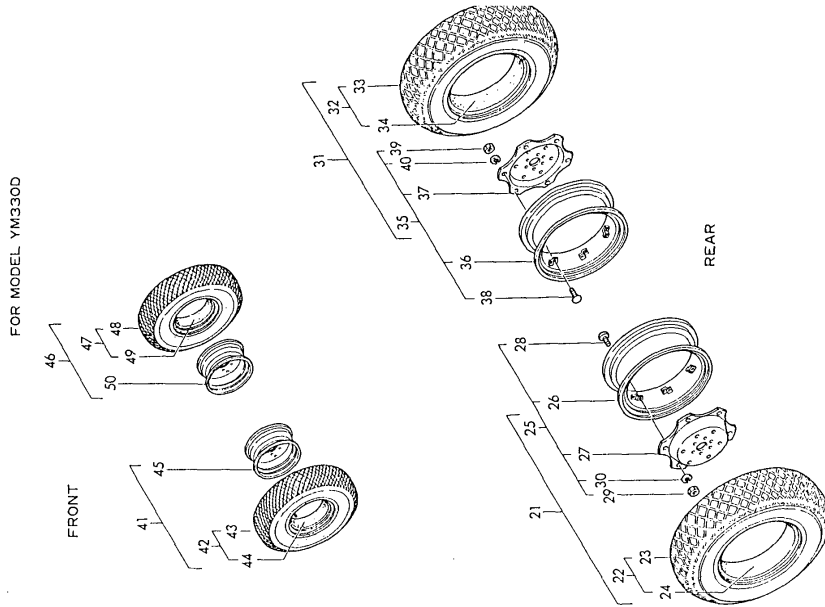
REF.	LEV.	PARTS NO.	DESCRIPTION	Q'TY						I	R
				(A)	(B)	(C)	(D)	(E)	(F)		
1	1	794275-14700-P	TIRE(L) ASSY, FRONT	1							
2	2	194275-12850	TIRE W/TUBE27X8.5-15	1							
3	3	194275-12860	TIRE 27X 8.5-15	1							
4	3	194275-12870	TUBE	1							
5	2	194275-12810-P	WHEEL ASSY 7.00-15DT	1							
6	3	194275-12820-P	WHEEL (A)	1							
7	3	194275-12830-P	WHEEL B	1							
8	3	26116-100202	BOLT M10X 20 PLATED	6							
9	3	22217-100000	SPRING WASHER 10	6							
10	3	26716-100002	NUT M10	6							
11	1	794275-14800-P	TIRE(R) ASSY, FRONT	1							
12	2	194275-12850	TIRE W/TUBE27X8.5-15	1							
13	3	194275-12860	TIRE 27X 8.5-15	1							
14	3	194275-12870	TUBE	1							
15	2	194275-12810-P	WHEEL ASSY 7.00-15DT	1							
16	3	194275-12820-P	WHEEL (A)	1							
17	3	194275-12830-P	WHEEL B	1							
18	3	26116-100202	BOLT M10X 20 PLATED	6							
19	3	22217-100000	SPRING WASHER 10	6							
20	3	26716-100002	NUT M10	6							
21	1	794275-34500-P	TURF-TIRE ASSY(L),R.	1	1						
22	2	194275-34710	TIRE W/TUBE13.6X28	1	1						
23	3	194275-34720	TIRE 13.6X 29	1	1						
24	3	194275-34730	TUBE	1	1						
25	2	194275-34760-P	WHEEL W12X 28W	1	1						
26	3	194275-34750-P	WHEEL W12X 28W	1	1						
27	3	194142-34810-P	DISC	1	1						
28	3	194130-34850	BOLT M16X 35	6	6						
28-1	3	194555-34850	BOLT M16X 35	6	6						R
		(A=*1986.08)	(B=*1986.08)								
29	3	194130-34840	NUT M16	6	6						
29-1	3	194555-34210	NUT M16	6	6						R
		(A=*1986.08)	(B=*1986.08)								
30	3	22217-160000	SPRING WASHER 16	6	6						
30-1	3	194555-34190	SPRING WASHER 16	6	6						R
		(A=*1986.08)	(B=*1986.08)								
31	1	794275-34600-P	TIRE(R) ASSY, REAR	1	1						
32	2	194275-34710	TIRE W/TUBE13.6X28	1	1						
33	3	194275-34720	TIRE 13.6X 29	1	1						
34	3	194275-34730	TUBE	1	1						
35	2	194275-34760-P	WHEEL W12X 28W	1	1						
36	3	194275-34750-P	WHEEL W12X 28W	1	1						
37	3	194142-34810-P	DISC	1	1						
38	3	194130-34850	BOLT M16X 35	6	6						
38-1	3	194555-34850	BOLT M16X 35	6	6						R
		(A=*1986.08)	(B=*1986.08)								
39	3	194130-34840	NUT M16	6	6						
39-1	3	194555-34210	NUT M16	6	6						R
		(A=*1986.08)	(B=*1986.08)								
40	3	22217-160000	SPRING WASHER 16	6	6						
40-1	3	194555-34190	SPRING WASHER 16	6	6						R

N:Old ↔ New, Q:Old ↔ New, R:Old ↔ New, S:Old ↔ New, W:Add, Z:Discontinued, F:Set Change, K:Q'ty Change  
 ++ CONTINUE ++  
 (C)Copy Rights YANMAR CO.,LTD and YANMAR AGRICULTURAL EQUIPMENT CO.,LTD.

Fig.84. TURF-TIRES (FRONT & REAR)

(A)=YM330  
(B)=YM330D  
(C)=

(D)=  
(E)=  
(F)=



FOR MODEL YM3300

FRONT

REAR

Fig. 84 TURF-TIRES (FRONT & REAR)

FOR MODEL YM330

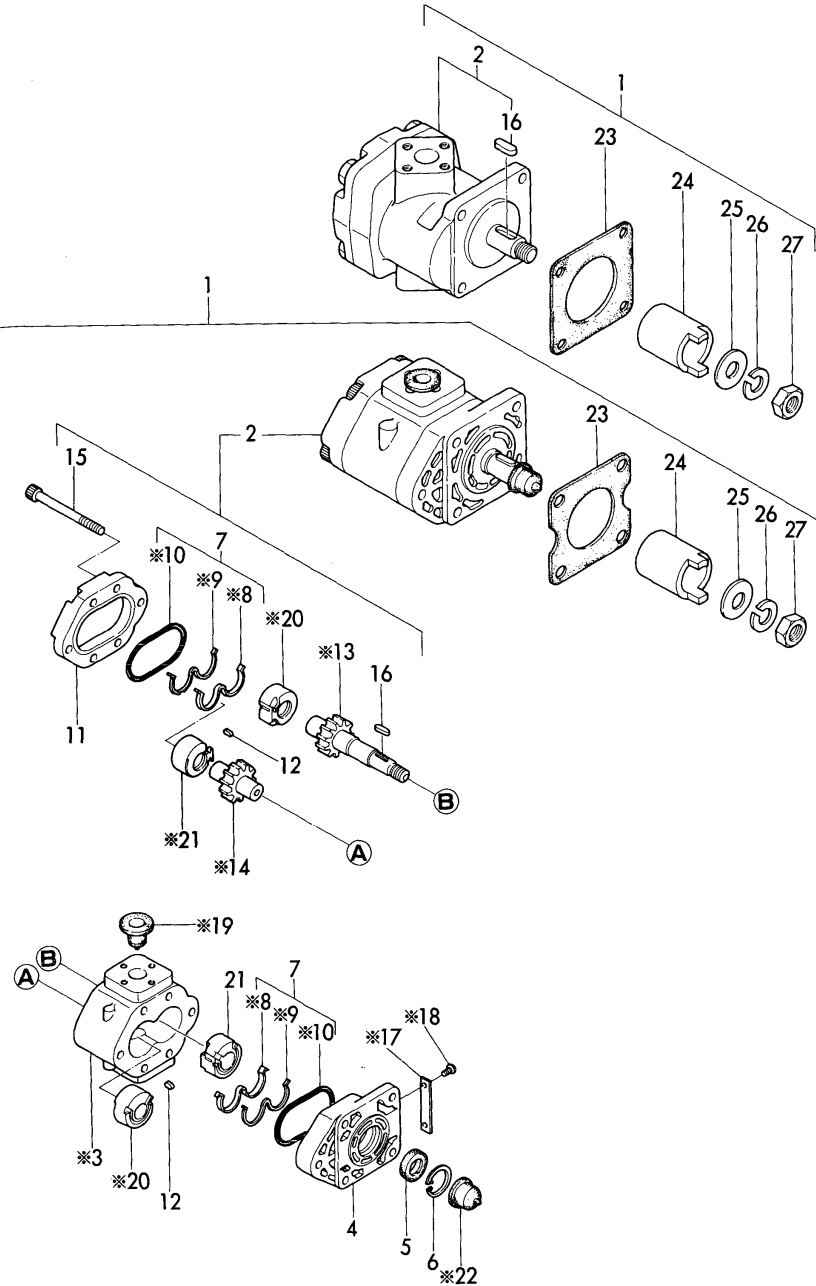
FRONT

REAR

REF.	LEV.	PARTS NO.	DESCRIPTION	Q'TY						I	R
				(A)	(B)	(C)	(D)	(E)	(F)		
		(A=*1986.08)	(B=*1986.08)								
41	1	794323-14700-P	TIRE(L) ASSY, FRONT		1						
42	2	794340-34600	TIRE ASSY,REAR8X16FD		1						
43	3	194340-34610	TIRE 8-16F.D, TURF		1						
44	3	194200-34950	TUBE 8-16		1						
45	2	194279-14700-P	WHEEL DC5JAX16WDC		1						
46	1	794323-14800-P	TIRE(R) ASSY, FRONT		1						
47	2	794340-34600	TIRE ASSY,REAR8X16FD		1						
48	3	194340-34610	TIRE 8-16F.D, TURF		1						
49	3	194200-34950	TUBE 8-16		1						
50	2	194279-14700-P	WHEEL DC5JAX16WDC		1						

Fig.85. HYD. PUMP (12CC/REV. POSITION)

Fig. **85** HYDRAULIC PUMP (12CC/REV. POSITION)



(A)=YM330  
(B)=YM330D  
(C)=

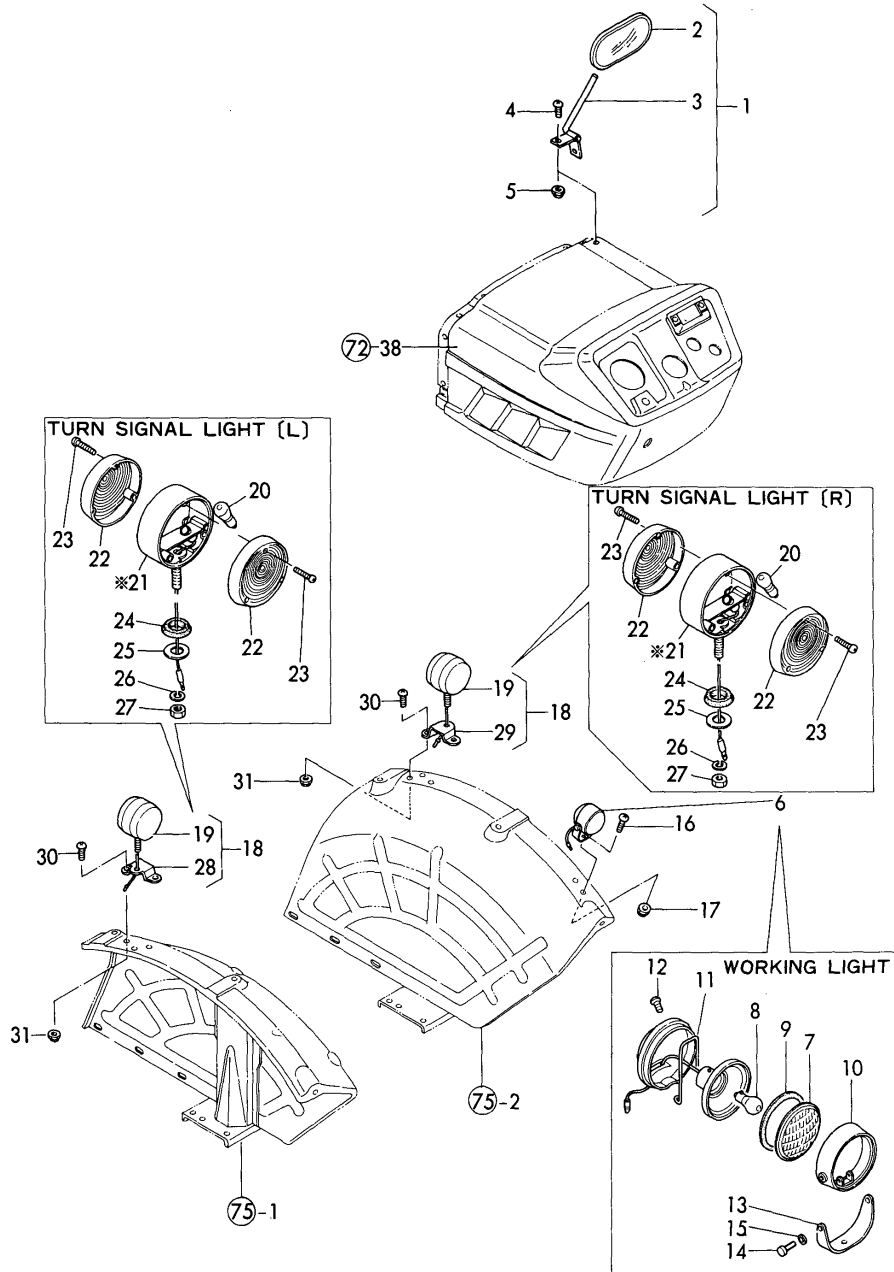
(D)=  
(E)=  
(F)=

REF.	LEV.	PARTS NO.	DESCRIPTION	Q'TY						I	R
				(A)	(B)	(C)	(D)	(E)	(F)		
1-1	1	794278-41100-X	PUMP ASSY, HYDRAULIC	1	1						
2-1	2	194278-41120	PUMP ASSY, HYDRAULIC	1	1						
4	3	194278-41150	FLANGE	1	1						
5	3	194278-41160	SEAL, OIL	1	1						
6	3	22252-000300	CIRCLIP 30	1	1						
7	3	794275-41200	SEAL SET	2	2						
11	3	194278-41190	COVER	1	1						
12	3	194278-41210	KEY, WOODRUFF	2	2						
15	3	194278-41230	BOLT	4	4						
15-1	3	194278-41250	BOLT	4	4						N
		(A=*1982.12) (B=*1982.12)									
16-1	3	194278-41240	KEY	1	1						
22A	3	194065-41210	PARALLEL PIN 6X12	2	2						W
		(A=*1984.11) (B=*1984.11)									
23-1	2	124950-26021	GASKET	1	1						
24	2	121258-26160	CONNECTOR	1	1						
25	2	22137-120000	WASHER 12,POLISHED	1	1						
26	2	22217-120000	WASHER 12,SPRING	1	1						
27	2	26726-120002	NUT M12	1	1						
27-1	2	26716-120002	NUT M12	1	1						R
		(A=*1983.05) (B=*1983.05)									



Fig.86. R-V.MIRROR,SIGNAL & WORK.LIGHT

Fig.86 REAR-VIEW MIRROR, TURN SIGNAL LIGHT & WORKING LIGHT



(A)=YM330  
(B)=YM330D  
(C)=

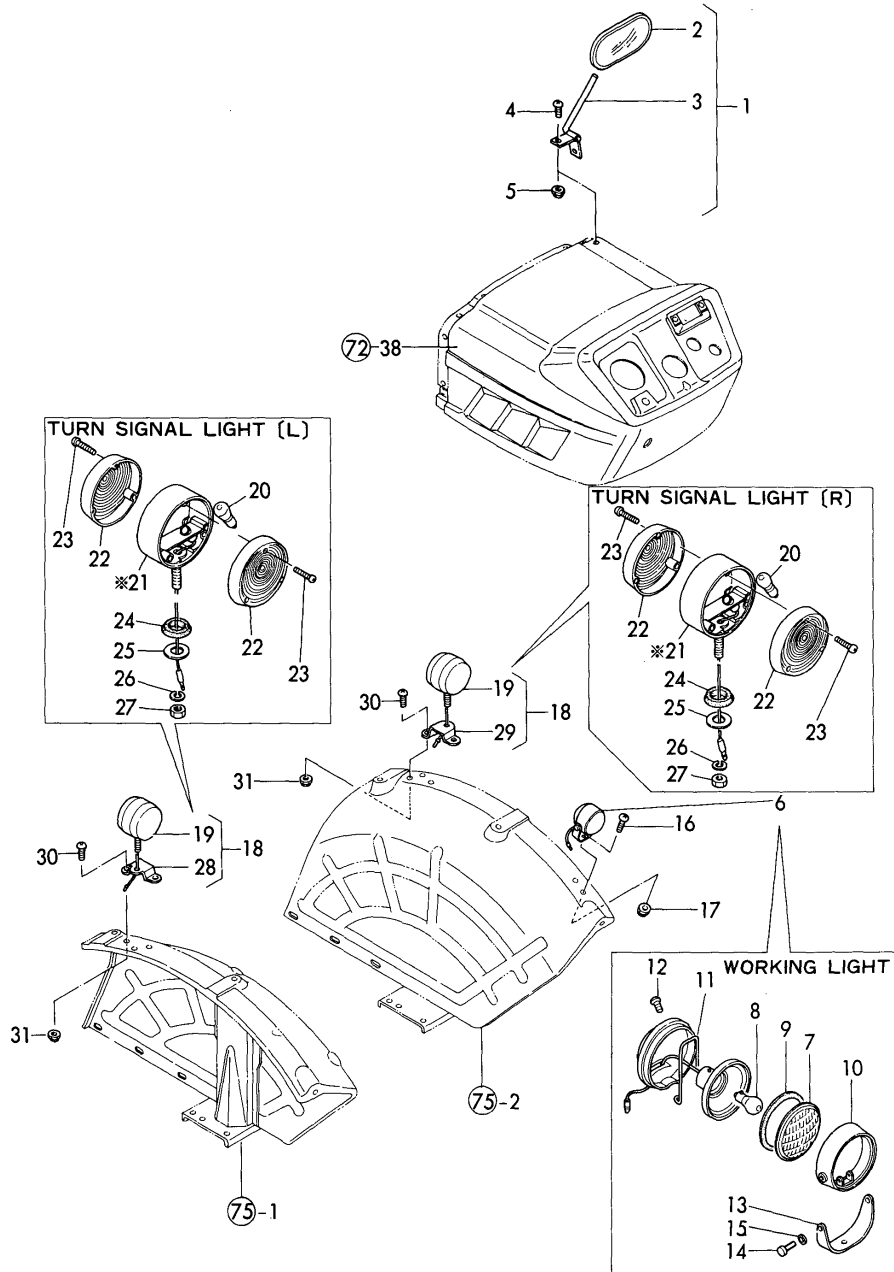
(D)=  
(E)=  
(F)=

REF.	LEV.	PARTS NO.	DESCRIPTION	Q'TY						I	R
				(A)	(B)	(C)	(D)	(E)	(F)		
1	1	794145-64100	MIRROR ASSY, REAR	1	1						
2	2	194145-64100	MIRROR	1	1						
2-1	1	194630-64110	REARVIEW MIRROR	1	1						S
		(A=*1982.02) (B=*1982.02)									
3	2	194145-64120	STAY, MIRROR	1	1						
4	2	26557-060122	SCREW M 6X 12,PAN HD	2	2						
4-1	2	26116-060122	BOLT M 6X 12	2	2						R
		(A=*) (B=*)									
4-2	2	26106-060122	BOLT M 6X 12 PLATED	2	2						N
		(A=*1989.09) (B=*1989.09)									
5	2	194990-22130	NUT W/WASHER 6	2	2						Z
		(A=*) (B=*)									
6	1	794081-54101	LAMP ASSY, WORKING	1	1						
6-1	1	194640-54100	LAMP ASSY, WORKING	1	1						N
		(A=*1990.09) (B=*1990.09)									
7	2	194081-54110	LENS	1	1						Z
		(A=*1990.09) (B=*1990.09)									
8	2	194081-55820	BULB 12V-20W	1	1						Z
		(A=*1990.09) (B=*1990.09)									
9	2	194081-54120	GASKET	1	1						Z
		(A=*1990.09) (B=*1990.09)									
10	2	194081-54131	RIM	1	1						Z
		(A=*1990.09) (B=*1990.09)									
11	2	194081-54151	SPRING	1	1						Z
		(A=*1990.09) (B=*1990.09)									
12	2	194081-54210	SCREW	3	3						Z
		(A=*1990.09) (B=*1990.09)									
13	2	194081-54221	STAY	1	1						Z
		(A=*1990.09) (B=*1990.09)									
14	2	194081-54230	BOLT M6X 12	2	2						Z
		(A=*1990.09) (B=*1990.09)									
15	2	194081-54240	SPRING WASHER 6	2	2						Z
		(A=*1990.09) (B=*1990.09)									
15A	2	194640-54110	LENS	1	1						W
		(A=*1990.09) (B=*1990.09)									
15B	2	194640-54120	REFLECTOR	1	1						W
		(A=*1990.09) (B=*1990.09)									
15C	2	194640-54130	GASKET	1	1						W
		(A=*1990.09) (B=*1990.09)									
15D	2	194640-54140	RIM	1	1						W
		(A=*1990.09) (B=*1990.09)									
15E	2	194640-54150	HOUSING	1	1						W
		(A=*1990.09) (B=*1990.09)									
15F	2	194640-54160	NUT	2	2						W
		(A=*1990.09) (B=*1990.09)									
15G	2	194640-54170	BULB 12V-18.4W	1	1						W
		(A=*1990.09) (B=*1990.09)									
15H	2	194640-54180	STAY	1	1						W
		(A=*1990.09) (B=*1990.09)									
15I	2	194640-54190	SCREW	1	1						W
		(A=*1990.09) (B=*1990.09)									

N:Old ↔ New, Q:Old ↔ New, R:Old ↔ New, S:Old ↔ New, W:Add, Z:Discontinued, F:Set Change, K:Q'ty Change  
++ CONTINUE ++ (C)Copy Rights YANMAR CO.,LTD and YANMAR AGRICULTURAL EQUIPMENT CO.,LTD.

Fig.86. R-V.MIRROR,SIGNAL & WORK.LIGHT

Fig. **86** REAR-VIEW MIRROR, TURN SIGNAL LIGHT & WORKING LIGHT



(A)=YM330  
(B)=YM330D  
(C)=

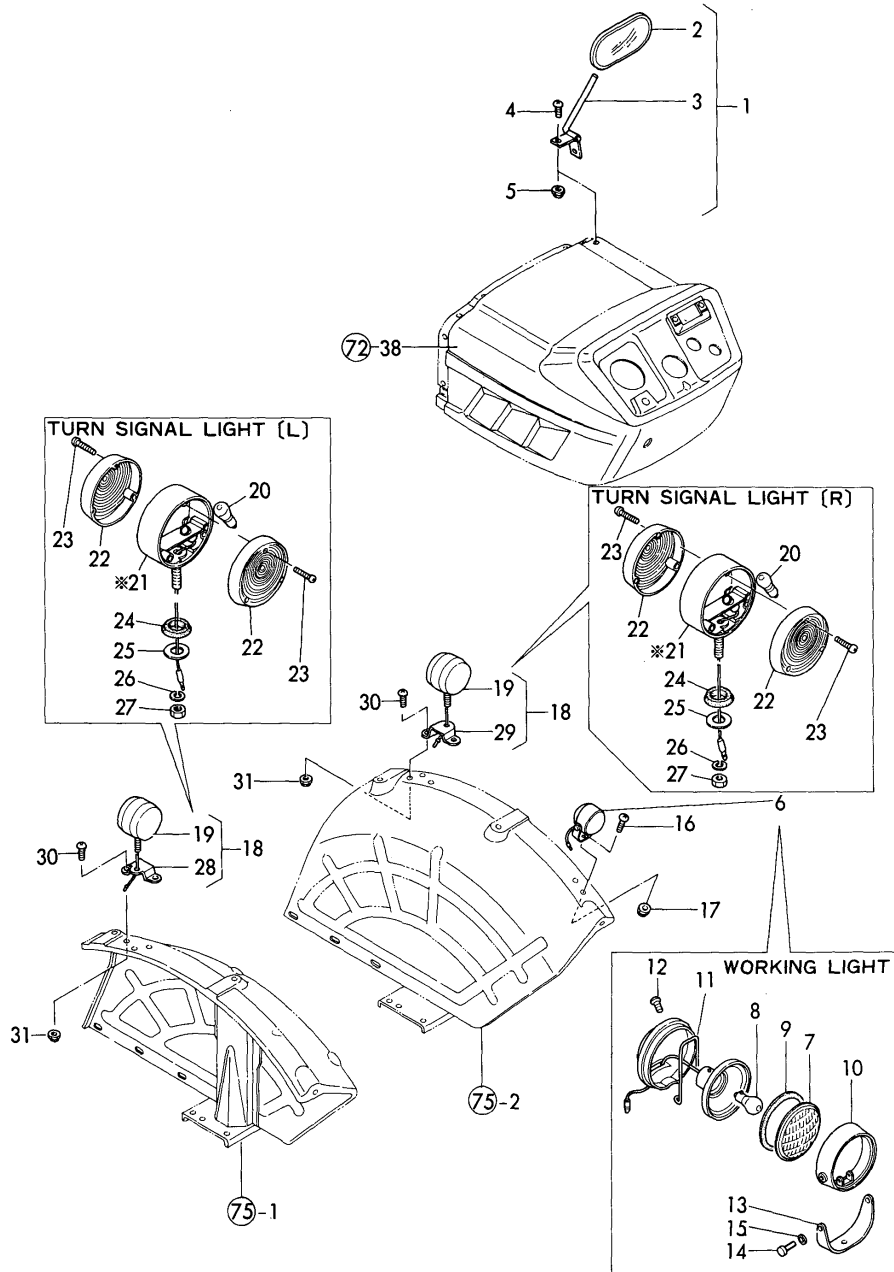
(D)=  
(E)=  
(F)=

REF.	LEV.	PARTS NO.	DESCRIPTION	Q'TY						I	R
				(A)	(B)	(C)	(D)	(E)	(F)		
15J	2	22217-060000	SPRING WASHER 6	2	2						W
		(A=*1990.09) (B=*1990.09)									
15K	2	26116-060162	BOLT M 6X 16 PLATED	2	2						W
		(A=*1990.09) (B=*1990.09)									
15L	1	194990-22050	NUT W/WASHER 8	1	1						W
		(A=*1990.09) (B=*1990.09)									
16	1	26116-080182	BOLT M 8X 18 PLATED	1	1						
16-1	1	26587-080162	SCREW M 8X 16	1	1						R
		(A=*) (B=*)									
17	1	194990-22140	NUT W/WASHER 8	1	1						
18	1	794273-53400	LAMP ASSY, WORKING	1	1						1
19	2	194145-53400	LAMP ASSY, FLASHER	2	2						
19-1	2	194320-53400	LAMP ASSY, FLASHER	2	2						S 1
		(A=*) (B=*)									
19-2	2	194242-53400	LAMP ASSY, FLASHER	2	2						N
		(A=*1983.10) (B=*1983.10)									
20	3	194145-53490	BULB 12V-21W	2	2						
20-1	3	194320-53420	BULB 12V-23W	2	2						S 1
		(A=*) (B=*)									
20-2	3	194320-53420	BULB 12V-23W	2	2						Z
		(A=*1983.10) (B=*1983.10)									
22	3	194320-53430	LENS	4	4						Z
		(A=*1983.10) (B=*1983.10)									
23	3	194320-53440	SCREW	12	12						Z
		(A=*1983.10) (B=*1983.10)									
24	3	194320-53450	GASKET, LENS	2	2						Z
		(A=*1983.10) (B=*1983.10)									
25	3	22137-120000	WASHER 12,POLISHED	2	2						Z
		(A=*1983.10) (B=*1983.10)									
26	3	22217-120000	WASHER 12,SPRING	2	2						Z
		(A=*1983.10) (B=*1983.10)									
27	3	194320-53480	NUT M12	2	2						Z
		(A=*1983.10) (B=*1983.10)									
27A	3	194242-53410	BODY	2	2						W
		(A=*1983.10) (B=*1983.10)									
27B	3	194242-55420	LENS	4	4						W
		(A=*1983.10) (B=*1983.10)									
27C	3	194242-55430	SCREW	8	8						W
		(A=*1983.10) (B=*1983.10)									
27D	3	194242-55440	WASHER 12	2	2						W
		(A=*1983.10) (B=*1983.10)									
27E	3	194081-55820	BULB 12V-20W	2	2						W
		(A=*1983.10) (B=*1983.10)									
27F	3	26776-120002	LOCK NUT M12 PLATED	2	2						W
		(A=*1983.10) (B=*1983.10)									
28	2	194145-62220	STAY	1	1						
29	2	194145-62230	STAY (R)	1	1						
30	2	26587-080122	SCREW M 8X 12	4	4						
31	2	194990-22140	NUT W/WASHER 8	4	4						
32	1	194242-53600	LAMP ASSY, STOP	2	2						W
		(A=*1983.10) (B=*1983.10)									

N:Old ↔ New, Q:Old ↔ New, R:Old ↔ New, S:Old ↔ New, W:Add, Z:Discontinued, F:Set Change, K:Q'ty Change  
 ++ CONTINUE ++ (C)Copy Rights YANMAR CO.,LTD and YANMAR AGRICULTURAL EQUIPMENT CO.,LTD.

Fig.86. R-V.MIRROR,SIGNAL & WORK.LIGHT

Fig. **86** REAR-VIEW MIRROR, TURN SIGNAL LIGHT & WORKING LIGHT



(A)=YM330  
(B)=YM330D  
(C)=

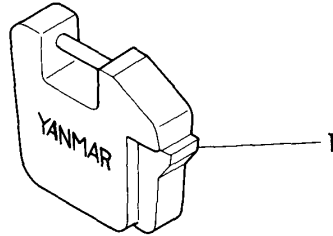
(D)=  
(E)=  
(F)=

REF.	LEV.	PARTS NO.	DESCRIPTION	Q'TY						I	R
				(A)	(B)	(C)	(D)	(E)	(F)		
33	2	194242-53610	BODY	2	2						W
		(A=*1983.10) (B=*1983.10)									
34	2	194242-53620	BULB 12V-21/5W	2	2						W
		(A=*1983.10) (B=*1983.10)									
35	2	194242-53630	LENS (RED)	2	2						W
		(A=*1983.10) (B=*1983.10)									
36	2	194242-53640	LENS (CLEAR)	2	2						W
		(A=*1983.10) (B=*1983.10)									
37	2	194242-55430	SCREW	8	8						W
		(A=*1983.10) (B=*1983.10)									
38	2	194242-55440	WASHER 12	2	2						W
		(A=*1983.10) (B=*1983.10)									
39	2	26776-120002	LOCK NUT M12 PLATED	2	2						W
		(A=*1983.10) (B=*1983.10)									
40	1	194450-53800	LAMP ASSY, LICENCE	1	1						W
		(A=*1983.10) (B=*1983.10)									
41	2	194450-53810	BULB 12V-10W	1	1						W
		(A=*1983.10) (B=*1983.10)									
42	2	194450-53820	LENS	1	1						W
		(A=*1983.10) (B=*1983.10)									
43	2	194450-53830	COVER, LAMP	1	1						W
		(A=*1983.10) (B=*1983.10)									
44	2	194450-53840	GASKET	1	1						W
		(A=*1983.10) (B=*1983.10)									
45	2	194450-53850	BASE	1	1						W
		(A=*1983.10) (B=*1983.10)									
46	2	194450-53860	SOCKET	1	1						W
		(A=*1983.10) (B=*1983.10)									
47	2	194450-53870	SCREW 5X 70	2	2						W
		(A=*1983.10) (B=*1983.10)									
48	2	194450-53880	SHADE	1	1						W
		(A=*1983.10) (B=*1983.10)									
49	2	194450-53890	CORD	1	1						W
		(A=*1983.10) (B=*1983.10)									

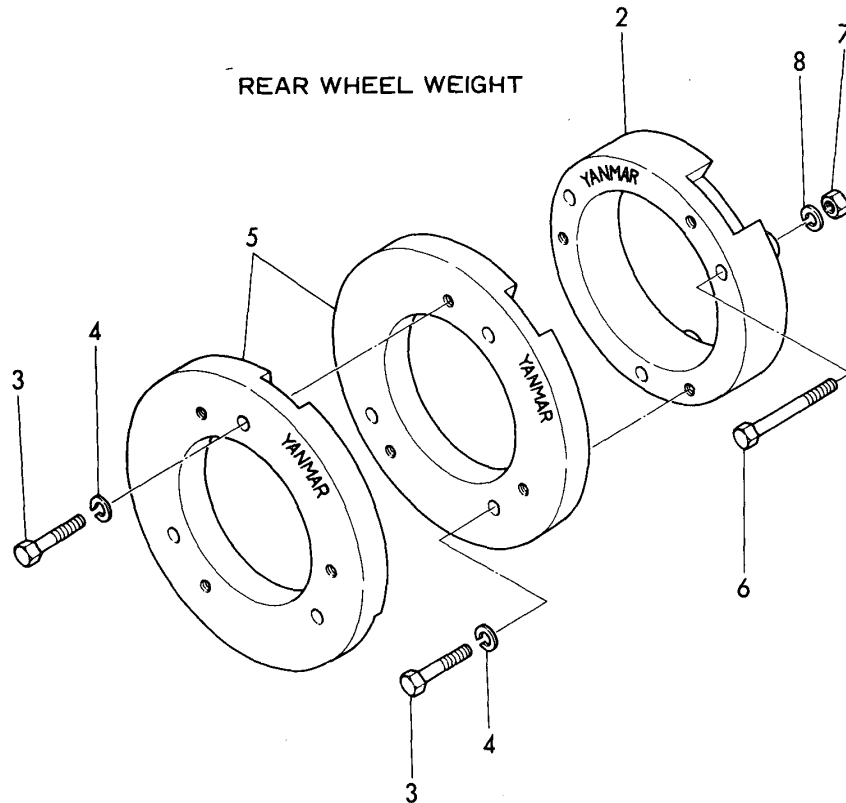
Fig.87. FRONT & REAR WHEEL WEIGHT

Fig. **87** FRONT WEIGHT & REAR WHEEL WEIGHT

FRONT WEIGHT



REAR WHEEL WEIGHT



(A)=YM330  
(B)=YM330D  
(C)=

(D)=  
(E)=  
(F)=

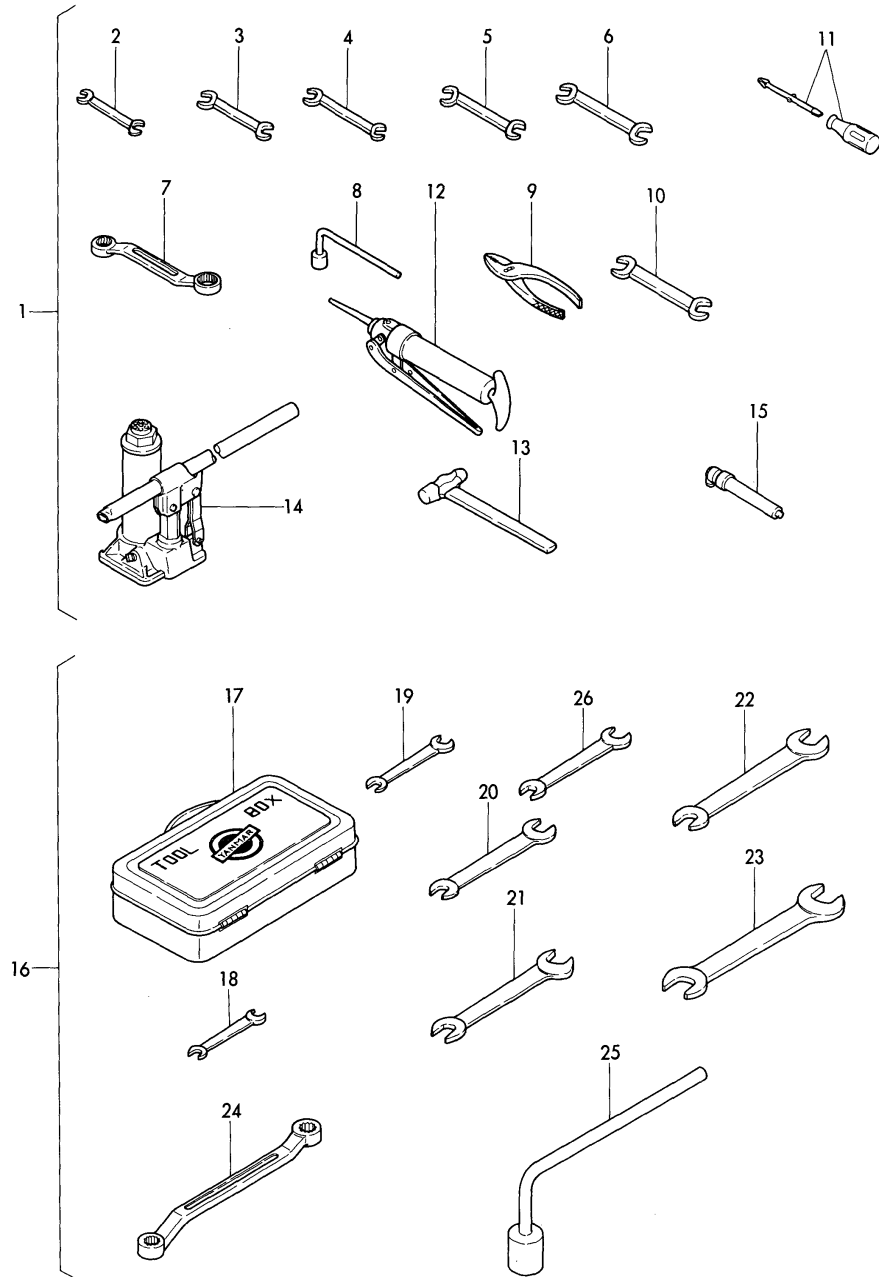
REF.	LEV.	PARTS NO.	DESCRIPTION	Q'TY						I	R	
				(A)	(B)	(C)	(D)	(E)	(F)			
1	1	AZ0502-10010	WEIGHT 20, FRONT	5								
1-1	1	194080-81111 (A=*)	WEIGHT 20, FRONT	5	5							R
2	1	AZ0552-10010	WEIGHT 20,REAR WHEEL	2								
2-1	1	194080-81230 (A=*)	WEIGHT 20,REAR WHEEL	2	2							R
3	1	26116-160602	BOLT M16X 60 PLATED	12	12							
4	1	22217-160000	SPRING WASHER 16	12	12							
5	1	194080-81212	WEIGHT 25,REAR WHEEL	4	4							
6	1	26116-161102	BOLT M16X110 PLATED	6	6							
7	1	26716-160002	NUT M16	6	6							
8	1	22217-160000	SPRING WASHER 16	6	6							

Fig.88. TOOLS

(A)=YM330  
(B)=YM330D  
(C)=

(D)=  
(E)=  
(F)=

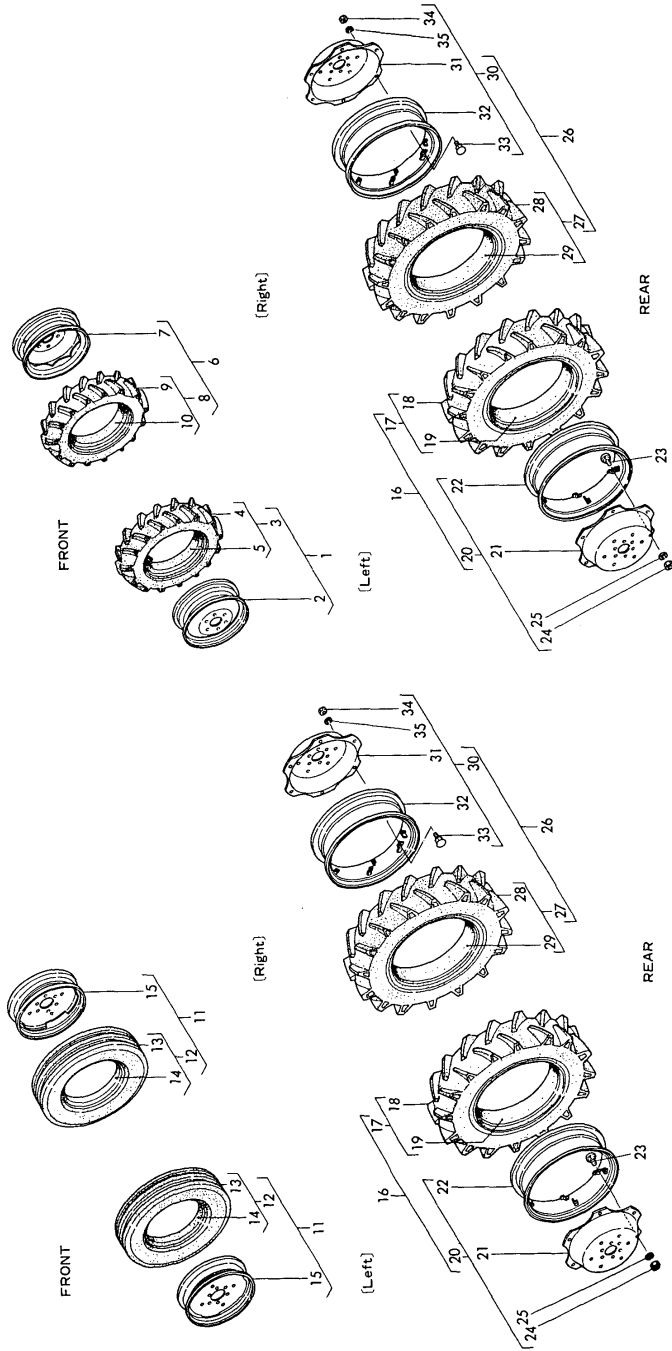
Fig. 88 TOOLS



REF.	LEV.	PARTS NO.	DESCRIPTION	Q'TY						I	R
				(A)	(B)	(C)	(D)	(E)	(F)		
1	1	794145-82100	TOOL ASSY	1	1						
1-1	1	794278-82100	TOOL SET	1	1						N
		(A=*1986.05) (B=*1986.05)									
2	2	28110-080100	WRENCH 8X10	1	1						
3	2	28110-100130	WRENCH 10X13	1	1						
3-1	2	28110-120140	WRENCH 12X14	1	1						S
		(A=*1986.05) (B=*1986.05)									
4	2	28110-170190	WRENCH 17X19	1	1						
5	2	28110-220240	WRENCH 22X24	1	1						
6	2	28110-270300	WRENCH 27X30	1	1						
7	2	194080-82110	WRENCH 17X19	1	1						
8	2	194145-82240	BOX WRENCH 26	1	1						
8-1	2	194278-82240	WRENCH 22	1	1						S
		(A=*1986.05) (B=*1986.05)									
9	2	194080-82140	PLIERS 200	1	1						
9-1	2	28170-001500	PLIERS 150	1	1						R
		(A=*1980.10) (B=*1980.10)									
10	2	28110-260320	WRENCH 26X32	1	1						
11	2	104200-92350	DRIVER, SCREW	1	1						
12	2	194130-82190	GUN, GREASE	1	1						
13	2	194740-80121	HAMMER	1	1						
14	2	194145-82111	JACK	1	1						
14-1	2	194320-82110	JACK	1	1						R
		(A=*1981.10) (B=*1981.10)									
15	2	194080-82180	GAUGE, TIRE	1	1						
16	1	794322-82110	TOOL ASSY	1	1						
17	2	194322-82110-R	BOX, TOOL	1	1						
18	2	28110-080100	WRENCH 8X10	1	1						
19	2	28110-100130	WRENCH 10X13	1	1						Z
		(A=*1982.09) (B=*1982.09)									
20	2	28110-170190	WRENCH 17X19	1	1						
21	2	28110-220240	WRENCH 22X24	1	1						
22	2	28110-270300	WRENCH 27X30	1	1						
23	2	28110-260320	WRENCH 26X32	1	1						
24	2	194080-82110	WRENCH 17X19	1	1						
25	2	194145-82240	BOX WRENCH 26	1	1						
26	2	28110-120140	WRENCH 12X14	1	1						W
		(A=*1982.09) (B=*1982.09)									

Fig.89. FRONT & REAR TIRES(RED)

Fig. 89 FRONT & REAR TIRES



(A)=YM330  
(B)=YM330D  
(C)=

(D)=  
(E)=  
(F)=

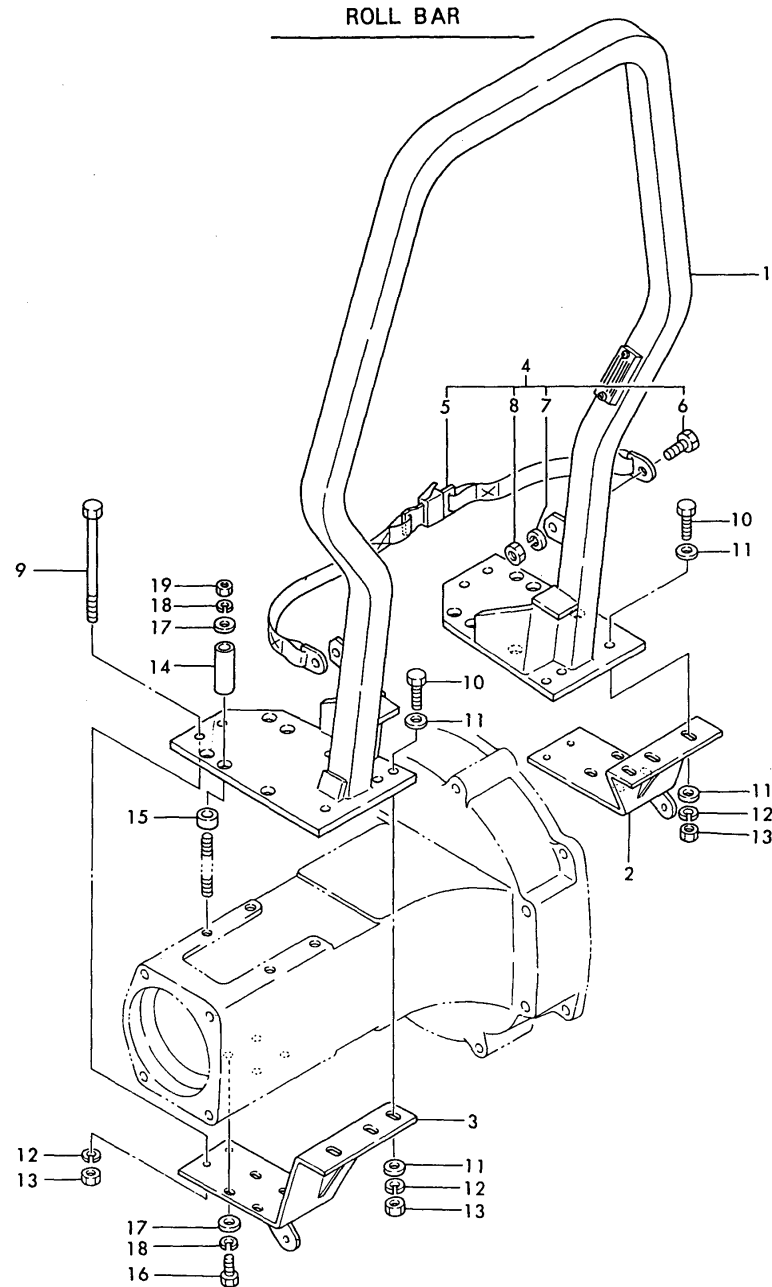
REF.	LEV.	PARTS NO.	DESCRIPTION	Q'TY						I	R
				(A)	(B)	(C)	(D)	(E)	(F)		
1	1	794279-14700-Q	TIRE(L) ASSY, FRONT		1						1
2	2	194279-14700-Q	WHEEL DC5JAX16WDC		1						
3	2	194279-14800	TIRE W/TUBE 8 X16AG		1						
4	3	194279-14810	TIRE AGS8-10		1						
5	3	194279-14820	TUBE		1						
6-1	1	794279-14800-Q	TIRE(R) ASSY, FRONT		1						1
7	2	194279-14700-Q	WHEEL DC5JAX16WDC		1						
8	2	194279-14800	TIRE W/TUBE 8 X16AG		1						
9	3	194279-14810	TIRE AGS8-10		1						
10	3	194279-14820	TUBE		1						
11	1	794145-12900-Q	TIRE ASSY, FRONT	2							1
12	2	194145-12800	TIRE W/TUBE 5 X16	2							
13	3	194145-12810	TIRE 5.5X 16	2							
14	3	194145-12820	TUBE 5.50-16	2							
15	2	194145-12900-Q	WHEEL DC4.00E-16	2							
16	1	794142-34601-Q	TIRE(L) ASSY, REAR	1	1						1
17	2	794082-34900	TIRE W/TUBE 11X28	1	1						
18	3	194082-34910	TIRE 11 X 28	1	1						
19	3	194082-34920	TUBE 11-28	1	1						
20	2	794142-34801-Q	WHEEL W11X 28W	1	1						
21	3	194142-34810-Q	DISC	1	1						
22	3	194142-34821-Q	RIM	1	1						
23	3	194130-34850	BOLT M16X 35	6	6						
24	3	194130-34840	NUT M16	6	6						
25	3	22217-160000	SPRING WASHER 16	6	6						
26	1	794142-34621-Q	TIRE(R) ASSY, REAR	1	1						1
27	2	794082-34900	TIRE W/TUBE 11X28	1	1						
28	3	194082-34910	TIRE 11 X 28	1	1						
29	3	194082-34920	TUBE 11-28	1	1						
30	2	794142-34801-Q	WHEEL W11X 28W	1	1						
31	3	194142-34810-Q	DISC	1	1						
32	3	194142-34821-Q	RIM	1	1						
33	3	194130-34850	BOLT M16X 35	6	6						
34	3	194130-34840	NUT M16	6	6						
35	3	22217-160000	SPRING WASHER 16	6	6						

Fig.90. ROLL BAR (FOR USA)

(A)=YM330  
(B)=YM330D  
(C)=

(D)=  
(E)=  
(F)=

Fig. **90** ROLL BAR (FOR USA)



REF.	LEV.	PARTS NO.	DESCRIPTION	Q'TY						I	R	
				(A)	(B)	(C)	(D)	(E)	(F)			
1	1	4-11040	ROLL BAR ASSY	1	1						1	
2	1	2-11871	REAR STAY, R.H.	1	1						1	
3	1	2-11872	REAR STAY, L.H.	1	1						1	
4	1	4-11790	SEAT BELT KIT	1	1						1	
5	2	3-10287	SEAT BELT	1	1						1	
6	2	3-10045	SCREW, HEX CAP	2	2						1	
7	2	3-10152	WASHER, LOCK 0.437	2	2						1	
8	2	3-10066	NUT, HEX 0.437-14NC	2	2						1	
9	1	3-12251	SCREW, HEX CAP	4	4						1	
10	1	3-10130	SCREW, HEX CAP	4	4						1	
11	1	3-10087	WASHER, FLAT 0.500	8	8						1	
12	1	3-10079	WASHER, LOCK 0.500	8	8						1	
13	1	3-10067	NUT, HEX 0.500-13NC	8	8						1	
14	1	1-22308	SPACER, PIPE	8	8						1	
15	1	1-18799	SPACER, MOUNT	8	8						1	
16	1	26013-120302	BOLT W/WASHER M12X30	8	8						1	
17	1	194130-62180	WASHER	16	16						1	
18	1	22217-120000	WASHER 12,SPRING	16	16						1	
19	1	26716-120002	NUT M12	8	8						1	

## PARTS No. INDEX

PARTS No.	Fig.	Ref.No.
101100-55060	15	29
101104-01750	2	11
101104-01760	2	12
101147-12550	4	15
101147-59810	9	29
	13	42
101158-11230	3	34
		38
		42
		46
101304-59020	13	47 -1
101704-22300	8	7
101720-55750	13	7
102103-55520	13	12
	20	40
102210-07990	81	50
	82	50
	83	41
103338-11180	3	8
103338-11190	3	9
103338-14200	6	6
103854-11490	3	54
	20	17
103854-53120	12	6
103854-53180	12	8
103854-59201	13	29 -1
103854-66420	14	16
104200-03641	3	65
104200-55321	13	4
104200-55330	13	5
104200-55341	13	6
104200-55750	13	8
104200-59170	13	43
	20	42
104200-92350	88	11
104511-11120	3	7
104600-11100	3	3
104600-11110	3	4
104600-22400	8	8
104700-11350	3	11
104900-11450	3	53
	20	16
104900-53080	12	4
106100-59060	13	49
110250-53150	12	10
	57	49
	60	43
	61	43
110250-55610	13	13
113200-53110	12	5

PARTS No.	Fig.	Ref.No.
113200-53120	12	7
1-18799	90	15
120130-11160	3	5 -3
120130-11860	3	5 -4
120130-43140	10	4 -2
120220-03660	3	69
121023-77910	15	21 -1
121120-12540	4	4 A
121120-12560	4	6
121120-12570	4	7
121120-13570	5	3 -1
121120-13580	5	4 -1
121120-44540	10	41 -1
121120-66000	14	7 -2
121120-66100	14	14 -1
121150-02300	7	37
121150-49020	10	53 -1
121150-51460	11	24
121150-51500	11	26 -1
121240-21590	7	6 A
121241-07150	82	41
121243-07150	83	32
121250-01330	1	32
121250-01331	1	32 -2
	20	7 -1
121250-01522	1	49
121250-01550	2	3
121250-01600	1	42
121250-01710	1	35 -1
121250-01750	1	31
121250-01751	1	31 -1
	20	6
121250-01791	1	52
121250-01850	1	33
121250-01951	1	46
121250-01990	1	12
	20	2
121250-02070	7	30 -1
		35 -1
121250-02100	1	22
121250-02110	7	22
121250-02120	7	29
121250-02130	7	34
121250-02220	7	23
121250-02450	6	9
121250-02800	7	29 -1
121250-02810	7	34 -1
121250-03610	3	60
121250-03740	3	71
121250-03751	3	72

PARTS No.	Fig.	Ref.No.
121250-03761	3	73
121250-03770	3	74
121250-03782	3	77
121250-03783	3	77 -1
121250-11550	3	23 -1
121250-12710	4	21
	20	24
121250-13520	5	15
	20	25
121250-13530	3	26
121250-13571	5	3
121250-13580	5	4
121250-14100	6	5
121250-21200	7	11
121250-21590	7	6
121250-21650	7	12 -1
121250-26160	2	29
121250-26201	2	30
121250-26210	2	31
121250-26400	2	32
121250-35090	9	17
121250-35300	9	20
121250-35320	9	23
121250-35330	9	24
121250-35340	9	25
121250-39200	9	27
121250-39450	9	35
121250-42011	10	1 -1
121250-42120	10	9
121250-42121	10	9 -1
121250-42200	10	4
121250-44540	10	41
121250-44570	10	21
121250-44581	10	28
121250-44590	10	22
121250-44740	10	34
121250-44900	10	47
121250-44901	10	47 -1
121250-49030	10	54
121250-49101	10	56
121250-49110	10	57
121250-49121	10	59
121250-49150	10	63 A
121250-49160	10	63
		63 -1
121250-55600	13	1
121250-55610	13	16
121250-55620	13	14
121250-59010	13	45
121250-59011	13	45 -1

PARTS No.	Fig.	Ref.No.
121250-59500	13	33
121250-59501	13	33 -1
121250-59550	13	37
121250-59560	13	34
121250-59561	13	34 -1
121250-59810	13	20
121250-59820	13	21
121250-59830	13	22
121250-59850	13	23
121250-59860	13	26
121250-61600	14	6
121250-66010	14	13
121250-66400	14	18
121250-66801	14	31
121250-77210	15	8
121250-77330	15	10
121250-77700	15	25
121250-77701	15	25 -1
121250-77812	15	23
121252-01230	1	54
121252-01330	1	32 -1
	20	7
121252-11260	3	30 -1
121252-22090	8	1 -1
121252-32200	9	9 -1
121252-39200	9	27 -1
121252-39450	9	35 -1
121252-42240	10	5 -1
121252-42260	10	3 -1
121252-44510	10	37 -1
121253-12110	4	31
121253-12500	4	1 A
121253-12510	4	5 A
121253-12530	4	3 A
121254-02140	7	39
121254-02160	7	40
121254-02180	7	41
121254-07150	81	41
121254-21650	7	12
121254-44500	10	19
121254-44600	10	29
121254-44610	10	24
121254-49010	10	52
121254-49020	10	53
121254-55510	13	11
121254-55600	13	1 -1
121254-77010	18	1
121257-12100	4	19
121257-44500	10	19 -1
121257-44600	10	29 -1



## PARTS No. INDEX

PARTS No.	Fig.	Ref.No.
121257-44760	10	19 A
121257-49010	10	52 -1
121257-49021	10	53 -2
121257-49022	10	53 -3
121258-26160	85	24
121258-66000	14	7 -1
121258-66010	14	13 -1
121258-66011	14	13 -2
121267-49500	10	55 -1
121370-11080	3	16
121370-11310	3	57
	20	18
121390-32001	9	1 -1
121390-32200	9	9
121420-01760	3	59 -1
121420-11080	3	16 -1
121422-11090	3	17 -1
121422-44581	10	28 -1
121422-44740	10	34 -1
121440-12480	82	43
121440-12520	82	44
121450-13200	21	16
121450-13201	21	16 -1
121450-42310	10	6 -1
121450-44530	10	38 -1
121454-12480	81	44
121454-12520	81	43
121462-03740	3	72 -1
121465-11950	3	22 -1
121465-59950	13	28 -1
121750-01920	1	13
121750-11090	3	17
121750-59090	13	40 -1
121750-59890	70	21 -3
		21 -4
	71	21
121820-21690	7	10 -2
122117-51560	11	28
1-22308	90	14
122710-21350	7	2 A
123325-59100	13	24
123325-59110	13	25
124060-01050	1	9
124060-01640	1	29
124060-11290	3	48 -2
124060-21660	7	13
124060-59380	13	30
124060-59391	13	29
124060-77680	13	36 -1
		41

PARTS No.	Fig.	Ref.No.
124060-77680	15	28
124064-12400	4	8
124064-12420	4	10
124064-12430	4	12
		14
	20	22
124064-12440	4	13
124064-12450	4	17
124064-12460	4	18
124064-12470	4	11
124066-59100	13	35
		36
124085-35300	9	20 -1
124085-35350	9	26 -1
124160-01520	2	10
124160-01521	2	10 -1
		10 -2
124160-01531	2	4
124160-01532	2	4 -1
	20	11
124160-01650	1	40
	2	15
124160-01750	3	58
124160-01751	2	11 -1
		11 -2
	3	58 -1
124160-01862	1	34 -1
124160-01863	1	34 -2
	20	8
124160-01910	1	10
124160-11290	3	48 -1
124160-21700	7	16
124160-34843	1	50
124160-34844	1	50 -1
	20	9
124160-39140	9	28
124160-49480	1	23
	3	29
124220-21130	7	9
124220-51890	11	35
124227-21920	7	5
124240-01881	2	24
124240-01882	2	24 -1
124240-01883	2	24 -3
	20	13 -1
124240-42291	10	16
124240-51100	11	3
124240-51550	11	27
124250-03640	3	64
124250-42170	10	7

PARTS No.	Fig.	Ref.No.
124250-42240	10	5
124250-42350	10	6
124250-59260	13	47
124250-77011	15	1
	16	1
124250-77012	15	1 -1
	17	1
124250-77070	17	3 -1
124250-77110	17	12 -1
124250-77120	17	13 -1
124250-77130	17	14 -1
124250-77140	17	18 -1
124250-77150	17	19 -1
124250-77160	17	15 -1
124250-77170	17	16 -1
124250-77180	17	17 -1
124250-77190	17	20 -1
124250-77210	17	22 -1
124250-77220	17	23 -1
124250-77230	17	24 -1
124250-77240	17	25 -1
124250-77270	17	28 -1
124250-77310	15	4 -1
	17	32 -1
124250-77320	17	33 -1
124250-77500	17	2 -1
124250-77510	17	7 -1
124250-77520	17	21 -1
124250-77550	17	31 -1
124250-91400	2	37
124250-91411	2	38
124250-91412	2	38 -1
	20	14
124450-01210	1	3
		3 -1
124450-01211	1	7
124450-01230	1	4
124450-01240	1	6
124450-01250	1	5
124450-01511	2	16
124450-01512	2	16 -1
	20	12
124450-01610	1	44
124450-01800	2	17
124450-01980	10	58
124450-07300	2	22
124450-11160	3	5
124450-11161	3	5 -1
124450-11170	3	6
124450-11171	3	6 -1

PARTS No.	Fig.	Ref.No.
124450-11250	3	30
124450-11290	3	48
124450-11401	3	51 -1
124450-11410	3	52
124450-11420	3	51
124450-11671	3	18
124450-11681	3	19
	20	15
124450-11800	3	5 -2
124450-11810	3	6 -2
124450-11900	5	16
	20	26
124450-12560	4	15 -1
124450-12571	4	16
124450-14120	6	3
124450-14400	6	7
124450-21230	7	10
124450-23100	8	12
124450-23200	8	11
124450-23300	8	13
124450-23350	8	14 -1
124450-23600	8	13 -1
124450-26410	2	33
124450-32020	9	15
	20	28
124450-35070	9	16
124450-35110	9	19
	20	29
124450-35350	9	26
124450-39240	9	32
124450-44410	10	18
	20	33
124450-44510	10	37
124450-44530	10	38
124450-44550	10	44
124450-44560	10	40
124450-44590	10	23
124450-44610	10	33
124450-61110	14	5
124450-61200	14	2
124450-61220	14	3
124450-66370	14	17
124450-66411	14	19
124450-66420	14	20
124450-66430	14	21
124450-66460	14	14
124450-66510	14	25
124450-66550	14	27
124450-77910	15	21
124450-77980	15	27

## PARTS No. INDEX

PARTS No.	Fig.	Ref.No.
124460-02150	7	24
	20	27
124460-03650	3	61
124460-03662	3	62
124460-03663	3	62 -1
	20	19
124460-11270	3	12
124460-11340	3	10
124460-11360	3	80
124460-59050	24	22
124460-66440	14	22
124460-66611	14	26
124460-77660	15	26
124460-77802	15	22
124460-77820	15	24
124465-44950	10	48 -1
	20	34
124550-01300	1	26
	20	4
124550-01900	1	8
124550-01901	1	8 -1
124550-21600	7	8
124550-35110	9	18
124550-42260	10	3
124550-51301	11	16
124550-51320	11	19
124550-51341	11	20
124550-51350	11	21
	20	37
124550-51370	11	22
	20	38
124550-51590	11	31
124550-55700	13	15 -1
124550-55710	13	15
124550-59030	13	38
124550-59090	13	39
		40
124550-66370	14	17 -1
124550-77020	15	5
124550-77030	15	6
124550-77250	15	9
124550-77710	15	3
124740-07160	82	42
124740-12600	4	34 A
124740-44800	10	49 A
	82	47
124740-44810	10	50 A
	82	45
124740-44920	10	51 A
	82	46

PARTS No.	Fig.	Ref.No.
124740-77980	15	32 A
	82	48
124742-07160	83	33
124742-12480	4	34 B
	83	34
124742-12520	4	35
	83	35
124742-44800	10	49 B
	83	39
124742-44810	10	50 B
	83	36
124742-44920	10	51 B
	83	37
124742-77980	15	32 B
	83	38
124750-42050	10	8
	20	32
124750-42051	10	8 -1
	20	32 -1
124750-42350	10	17
124756-77040	15	7
124756-77210	15	2
	19	1
124764-02130	7	38
124764-07160	81	42
124764-12500	4	1
124764-12510	4	5
124764-12560	4	25
124764-12570	4	26
124764-12580	4	27
124764-12590	4	24
124764-12600	4	34
124764-12660	4	3
124764-12670	4	4
124764-21690	7	17
124764-23350	8	14
124764-44800	10	49
	81	47
124764-44810	10	50
	81	45
124764-44920	10	51
	81	46
124764-77980	15	32
	81	48
124766-59050	10	64
	13	32
		48
	24	22 -1
	25	17
124767-12050	4	20

PARTS No.	Fig.	Ref.No.
124767-12050	20	23
124770-53000	12	3
124772-66890	14	38
124950-26021	2	24 -2
	20	13
	85	23 -1
124950-51670	11	32
129136-12600	4	34 -1
129150-11170	3	6 -3
129150-11810	3	6 -4
129354-59011	13	45 A
135210-61090	14	41
171051-01921	1	13 -1
172100-53200	12	9
	20	39
172400-02410	6	8 -1
173400-11900	3	50
174100-54120	11	14
174307-51170	11	6
174307-51181	11	7
174307-51190	11	8
174307-51270	11	15
	20	36
174307-51450	11	23
174307-51510	11	25
174307-51550	11	29
174307-51560	11	30
174307-51700	11	33
194065-41210	85	22 A
194080-08140	48	18
		47
	49	18
		47
194080-08240	78	29 -1
194080-08420	52	7
194080-09230	37	41
	38	40
	40	31
	41	30
194080-15140	33	33
	34	14
	35	14
194080-15250	33	53
194080-15260	33	54
194080-15270	33	55
194080-15280	33	56
194080-15290	33	57
194080-15320	33	40
	34	26
	35	26

PARTS No.	Fig.	Ref.No.
194080-15420	33	45
	34	31
	35	31
194080-15430	33	46
	34	32
	35	32
194080-15440	33	47
	34	33
	35	33
194080-15450	33	48
	34	34
	35	34
194080-15460	33	49
	34	35
	35	35
194080-15470	33	44
	34	30
	35	30
194080-15550	33	5
	34	8
	35	8
194080-21880	36	20
	39	26
194080-25581	45	41
194080-25590	45	44
194080-27172	50	7
	51	7
194080-27190	50	8
	51	8
194080-27252	50	14
	51	14
194080-27480	22	4
194080-37781	37	68
	38	67
	39	50
	40	58
	41	57
	55	18
	56	18
194080-51411	70	9
	71	9
194080-51430	70	10
	71	10
194080-51510	70	1
194080-52132	70	18
	71	17
194080-55840	70	37
	71	38
194080-56150	70	36
	71	36

## PARTS No. INDEX

PARTS No.	Fig.	Ref.No.
194080-56170	70	35
	71	35
194080-57202	70	52
	71	50
194080-58810	70	74
		74 -1
	71	114
194080-58820	70	75 -1
		75 -2
	71	115
194080-74631	78	60
194080-75790	79	3
194080-81111	87	1 -1
194080-81212	87	5
194080-81230	87	2 -1
194080-82110	88	7
		24
194080-82140	88	9
194080-82180	88	15
194081-54110	71	73
	86	7
194081-54120	71	74
	86	9
194081-54131	71	75
	86	10
194081-54151	71	76
	86	11
194081-54210	71	77
	86	12
194081-54221	71	78
	86	13
194081-54230	71	79
	86	14
194081-54240	71	80
	86	15
194081-55820	71	81
		89
	86	8
		27 E
194082-34910	53	15
		25
	89	18
		28
194082-34920	53	16
		26
	89	19
		29
194100-41670	67	18
	68	16
	69	16

PARTS No.	Fig.	Ref.No.
194110-25220	45	4
194110-37691	55	12
	56	12
194115-51130	70	9 B
194130-04271	24	15
	25	15
194130-11580	26	38
194130-12720	27	7
194130-15170	33	36
	34	17
	35	17
194130-15530	33	4
194130-15720	33	8
	34	2
	35	2
194130-15740	33	10
	34	3
	35	3
194130-15750	33	11
	34	4
	35	4
194130-15770	33	12
	34	5
	35	5
194130-22160	36	28
	39	34
194130-22170	36	26
	39	35
194130-22280	36	4
	37	5
	38	5
	39	5
	40	5
	41	5
194130-22311	36	30
194130-24171-X	42	30
	43	28
194130-24180	42	31
	43	29
194130-24214-X	42	22
	43	21
194130-24221	42	24
	43	22
194130-24290	42	28
	43	26
194130-24310	42	34
	43	32
194130-24321	42	35
	43	33
194130-24411-X	42	46

PARTS No.	Fig.	Ref.No.
194130-24411-X	43	42
194130-24422	42	47
	43	43
194130-24430-X	42	51
	43	47
194130-24441	42	52
	43	48
194130-24452-X	42	57
	43	52
194130-24471-X	42	58
	43	53
194130-24481	42	59
	43	54
194130-25231	45	12
	46	14
	47	14
194130-25240	45	17
194130-25250	45	8
	46	20
	47	20
194130-25260	45	19
194130-25270	45	2
	48	16
	49	16
194130-25530	45	37
	46	38
	47	38
	48	37
	49	37
194130-25840	45	33
	46	34
	47	34
194130-25850	45	34
	46	35
	47	35
194130-25890	45	36
	46	37
	47	37
194130-25922	45	25
	46	25
	47	25
194130-25951	45	21
	46	27
	47	27
194130-26340	48	33
		62
	49	33
		62
194130-26350	42	60
	43	55

PARTS No.	Fig.	Ref.No.
194130-26350	48	32
		61
	49	32
		61
194130-26370	48	28
		57
	49	28
		57
194130-27310	50	19
	51	19
194130-27332	50	21
	51	21
194130-27390	42	63
	43	58
194130-27430	50	25
	51	25
194130-27490	50	18
	51	18
194130-27530	50	30
	51	30
194130-27540	50	33
	51	33
194130-27610	50	27
194130-31431	52	8
194130-31530	52	16
194130-31810	52	12
194130-31830	52	13
194130-32210	52	25
194130-32310	52	31
194130-32320	52	32
194130-32330	52	33
194130-32340	52	34
194130-32350	52	35
194130-32360	52	38
194130-32681	44	4
194130-32682	44	4 -1
194130-33100	52	27
194130-33110	52	42
194130-33111	52	42 -1
194130-33120	52	43
194130-33150-X	52	49
194130-33161	52	50
194130-33170	52	47
194130-33180	52	45
194130-33190	42	56
		56 -1
	43	51
	50	35
	51	35
194130-33452	48	30

## PARTS No. INDEX

PARTS No.	Fig.	Ref.No.
194130-33452	48	59
	49	30
194130-34180	53	33
	53	21
194130-34840	31	31
	84	29
194130-34850	89	24
	53	20
194130-37730	36	38
	37	66
194130-37740	38	65
	40	56
194130-42130	41	55
	63	3
194130-43290	64	4
	65	2
194130-43351	66	2
	37	67
194130-43410	38	66
	39	49
194130-44220	40	57
	41	56
194130-44230	55	17
	56	17
194130-44241	57	3
	60	3
194130-44421	61	3
	57	17
194130-44422	60	8
	61	8
194130-44422-X	57	23
	60	34
194130-44480	61	34
	57	25
194130-44850	62	1
	57	29
194130-45560	57	32
	62	5
194130-46460	57	31
	62	5
194130-46750	57	31
	62	6
194130-47180-X	57	31
	62	6
194130-48650	57	33
	62	6

PARTS No.	Fig.	Ref.No.
194130-44421-X	62	9
194130-44422	57	33 -1
194130-44422-X	62	9 -1
194130-44480	57	34
194130-44850	62	10
194130-45560	67	37
194130-46460	57	48
194130-46460	57	6
194130-46750	57	10
194130-47180-X	59	11
194130-48650	67	23
194130-48850	68	23 -1
194130-52121	68	31
194130-61560	69	33
194130-62160	68	29
194130-62180	70	17
194130-62180	72	42
194130-65380	75	10
194130-82190	76	10
194134-27110-X	77	10
194136-04720	75	6
194136-44110	76	6
194140-63221	77	6
194140-63270	77	6
194141-28430	90	17
194142-34810-P	81	6
194142-34810-Q	82	9
194142-34821-P	88	12
194142-34821-Q	50	1
194145-01260	51	1
194145-01411-X	24	21
194145-01501	62	2 -2
194145-01540	75	25
194145-04111	76	22
194145-04112	77	22
194145-04301	75	26
194145-04302	46	9
194145-04310	47	9
194145-04311	53	18
194145-04350	28	28
194145-04351	84	27
194145-04460	37	37
194145-04520	89	21
194145-04521	89	31
194145-04530	53	19
194145-04720	53	19
194145-04810	89	22
194145-05111-X	89	22
194145-11110-X	22	8
194145-11111-X	23	8
194145-11112-X	22	24
194145-11120-X	22	24
194145-11140	22	24
194145-11240	22	24
194145-11300-X	22	24
194145-11350	22	24
194145-11400-X	22	24
194145-11511	22	24
194145-11521	22	24
194145-11550	22	24
194145-11570	22	24
194145-11580	22	24
194145-11630	22	24
194145-11650	22	24
194145-11801-X	22	24
194145-11820	22	24
194145-11840	22	24
194145-11860	22	24

PARTS No.	Fig.	Ref.No.
194145-11870	23	21
194145-11910	22	20
194145-11920	23	20
194145-11930	22	20 A-1
194145-11970	24	1
194145-11980	24	1 -1
194145-11990	25	1
194145-12110-X	24	2
194145-12111-X	24	2 -1
194145-12120-X	25	2
194145-12310-X	24	3
194145-12322	24	3 -1
194145-12331	25	3
194145-12340-X	25	3
194145-12350-X	24	4
194145-12611-X	24	4 -1
194145-12630	25	4
194145-12640-X	24	5
194145-12800	25	5
194145-12810	24	6
194145-12820	24	6 -1
194145-12900-P	25	6
194145-12900-Q	24	7
194145-15100	24	21 -1
194145-15110	25	16
194145-15111-X	24	10
194145-15112-X	25	10
194145-15120-X	26	40
194145-15310	26	1
194145-15320	26	1 -1
194145-15330	26	1 -2
194145-15410	26	6
194145-15500	28	2
194145-15560	26	8
194145-15610-X	28	4
194145-15650	26	26
194145-15800	26	22 -1
194145-16000	26	27
194145-16100	26	18 -1
194145-16200	26	30
194145-16300	26	32
194145-16400	26	31
194145-16500	26	33
194145-16600	26	16
194145-16700	26	36
194145-16800	26	43
194145-16900	27	1
194145-17000	27	6
194145-17100	26	20
194145-17200	26	24
194145-17300	27	3

PARTS No.	Fig.	Ref.No.
194145-11870	27	13
194145-11910	27	9
194145-11920	27	8
194145-11930	29	5 -1
194145-11970	27	48
194145-11980	27	10
194145-11990	27	11
194145-12110-X	27	12
194145-12111-X	27	49
194145-12120-X	27	49 -1
194145-12310-X	27	50
194145-12322	27	22
194145-12331	27	23
194145-12340-X	27	25
194145-12350-X	27	28
194145-12611-X	27	27
194145-12630	27	43
194145-12640-X	27	44
194145-12800	27	45
194145-12810	89	16
194145-12820	27	12
194145-12900-P	27	17
194145-12900-Q	89	13
194145-15100	27	18
194145-15110	89	14
194145-15111-X	27	19
194145-15112-X	89	15
194145-15120-X	33	29
194145-15310	33	32
194145-15320	33	50
194145-15330	33	38
194145-15410	33	31
194145-15500	34	24
194145-15560	35	24
194145-15610-X	33	37
194145-15650	34	27
194145-15800	35	27
194145-16000	33	52
194145-16100	34	28
194145-16200	35	28
194145-16300	33	43
194145-16400	34	29
194145-16500	35	29
194145-16600	33	30
194145-16700	33	1
194145-16800	34	11
194145-16900	35	11
194145-17000	33	13
194145-17100	33	3
194145-17200	34	9

## PARTS No. INDEX

PARTS No.	Fig.	Ref.No.
194145-15650	35	9
194145-15651	33	3 -1
	34	9 -1
	35	9 -1
194145-16310-X	33	14
	34	43
194145-21120	36	3
194145-21140	36	13
	37	7
	38	7
	39	7
	40	7
	41	7
194145-21150	36	42
	37	8
	38	8
	39	8
	40	8
	41	8
194145-22110	36	22
194145-22240-X	36	33
194145-22261	36	29
	37	57
	38	56
	39	39
	40	47
	41	46
194145-22310-X	36	34
	37	61
	38	60
	39	43
	40	51
	41	50
194145-22320	36	36
194145-22430	36	9
	37	62
	38	61
	39	44
	40	52
	41	51
194145-22440	36	8
	37	63
	38	62
	39	45
	40	53
	41	52
194145-24220-X	67	45
	68	41
	69	44
194145-24340	42	38

PARTS No.	Fig.	Ref.No.
194145-24340	43	35
194145-24350	42	36
	43	34
194145-24360	42	40
	43	36
194145-24380	45	42
	46	43
	47	43
194145-24510	42	42
194145-24520	42	43
194145-24560	42	44
194145-24570	42	45
194145-25520	45	40
	46	41
	47	41
194145-25550	45	43
194145-27150-X	50	10
	51	10
194145-27151	51	10 -1
194145-27151-X	50	10 -1
194145-27160	50	11
	51	11
194145-27170	42	50
	43	46
194145-27210	50	16
	51	16
194145-27230	50	17
	51	17
194145-27410-X	50	28
	51	28
194145-27450	39	61
	40	69
	41	68
	50	24
	51	24
194145-27510	50	26
194145-27850	50	39
	51	39
194145-27860	50	37
	51	37
194145-27960	50	45
	51	45
194145-31400	52	1
194145-31510	52	14
194145-31520	52	15
194145-31750	44	5
194145-31820	52	10
194145-32100	52	4
194145-32121	52	6
194145-32620-X	44	3

PARTS No.	Fig.	Ref.No.
194145-32621-X	44	3 A
		18
		23
		26
194145-32650	52	17
194145-32660	52	23
194145-32710-X	44	1
194145-32720	44	2
194145-32730	44	15
194145-32740	44	16
194145-33211-X	52	48
194145-33410	52	18
194145-33420	52	19
194145-33430	52	24
194145-33480	52	39
194145-33490	52	22
194145-33510	53	1
194145-33520	53	2
194145-34120-X	53	3
194145-34170	53	8
194145-34360	53	4
194145-34370	53	10
194145-34380	53	11
194145-34390	53	6
194145-36510	54	1
194145-36551	54	2
194145-36570	54	3
194145-36610-X	54	4
194145-36620-X	54	5
194145-36630	54	6
194145-36651	54	10
194145-36711-X	54	12
194145-36721-X	54	13
194145-36730	54	15
194145-36810	54	9
194145-37421-X	55	20
194145-37470-X	55	1
	56	1
194145-37471-X	55	1 -1
194145-37512	55	3
	56	3
194145-37540-R	55	23
	56	23
194145-37550-X	55	4
	56	4
194145-37560	55	7
	56	7
194145-37570	55	8
	56	8
194145-37660-X	55	10

PARTS No.	Fig.	Ref.No.
194145-37661-X	55	10 -1
	56	10
194145-37670	55	11
194145-37771	55	13
	56	13
194145-41120	67	1
	68	1
194145-42150	57	5
	60	4
194145-42151	57	5 -1
	60	4 -1
	61	4
194145-42152	57	5 -2
	60	4 -2
194145-42280	57	4
194145-42290	57	52
194145-42830	57	21
	60	6
	61	6
194145-43210-X	57	12
194145-43310	57	22
	60	33
	61	33
194145-44111	57	27
	62	2
194145-44112	57	27 -1
	62	2 -1
194145-44210	57	28
	62	3
194145-44510	57	37
194145-44520	57	39
194145-45320	57	47
		61
194145-45370	57	50
194145-46260	57	45
194145-46411	57	54
194145-46420	57	53
194145-47100-X	59	7
194145-47122	59	10
194145-47130-X	59	1
194145-47160	59	3
		6
		9
194145-47192-X	59	12
194145-47200-X	59	4
194145-47441	59	13
194145-47511	59	14
194145-47531-X	59	16
194145-47550-X	59	18
194145-47612	59	19

## PARTS No. INDEX

PARTS No.	Fig.	Ref.No.
194145-47711-X	59	21
194145-48150-X	67	25
	68	20
194145-48161-X	67	26
	68	23
	69	23
194145-48180	67	36
	68	27
	69	28
194145-48311-X	67	41
	68	33
	69	36
194145-48360-X	67	48
	68	44
	69	47
194145-48370	67	42
	68	34
	69	37
194145-48401	67	44
	68	39
	69	42
194145-48510-X	67	32
	68	36
	69	39
194145-48830	67	38
	68	28
	69	29
194145-51110	70	20
194145-51120	70	70
194145-51130	70	71
194145-51140	70	72
		72 -1
194145-51150	70	48
	71	46
194145-51180	70	73
	71	113
194145-51210	70	16
	71	15
194145-51550	70	2
	71	2
194145-51560	70	3
	71	3
194145-51570	70	4
	71	4
194145-51591	70	7
194145-51610	70	22
	71	22
194145-51620	44	13
194145-51650	70	51
	71	49

PARTS No.	Fig.	Ref.No.
194145-52110	70	14
	71	13
194145-52220	70	59
194145-52400	70	62
	71	101
194145-52820	70	64
	71	103
194145-52830	70	65
	71	104
194145-52840	70	66
	71	105
194145-53200	70	42
	71	40
194145-53210	70	46
	71	41
194145-53310	70	43
	71	44
194145-53400	86	19
194145-53490	86	20
194145-55290	70	30
	71	31
194145-55291	70	30 -1
	71	31 -1
194145-56901	70	41
	71	39
194145-61192-P	73	13
194145-61192-X	72	14
194145-61212-P	72	16
	73	15
194145-61212-R	74	15
194145-61242-P	72	17
	73	16
194145-61242-R	74	16
194145-61252	72	8
	73	7
	74	7
194145-61282-P	72	2
194145-61322-X	72	4
	73	4
	74	4
194145-61330-P	72	33
	73	32
194145-61330-R	74	32
194145-61352-P	73	14
194145-61352-X	72	15
194145-61370-P	72	11
194145-61501-P	72	38
194145-61501-R	74	37 -1
194145-61550	72	41
194145-61551	72	41 -1

PARTS No.	Fig.	Ref.No.
194145-61551	73	41
	74	41
194145-61560	72	44
	73	45
	74	45
194145-61570	72	50
	73	51
	74	51
194145-61610	72	45
	73	46
	74	46
194145-61620	72	47
194145-61620-P	73	48
194145-61620-R	74	48
194145-61640	72	28
194145-61650	72	13
	73	12
	74	12
194145-61671-P	72	26
	73	25
194145-61671-R	74	25
194145-61680	72	12
194145-61821	72	36
	73	35
	74	35
194145-62111-P	75	1
	76	1
194145-62111-R	77	1
194145-62121-P	75	2
	76	2
194145-62121-R	77	2
194145-62130-P	75	16
	76	16
194145-62130-R	77	16
194145-62131	75	16 -1
194145-62131-R	77	16 -1
194145-62140-P	75	17
	76	17
194145-62140-R	77	17
194145-62141	75	17 -1
194145-62141-R	77	17 -1
194145-62220	86	28
194145-62230	86	29
194145-62240	75	9
194145-62241	75	9 -1
	76	9
	77	9
194145-62250	75	4
194145-62251	75	4 -1
	76	4

PARTS No.	Fig.	Ref.No.
194145-62251	77	4
194145-62260	75	5
	76	5
	77	5
194145-62270	75	3
	76	3
	77	3
194145-62280	75	36
	76	35
	77	35
194145-62410-P	75	11
	76	11
194145-62410-R	77	11
194145-62420	75	12
	76	12
	77	12
194145-62510-X	75	7
194145-62511-X	75	7 -1
	76	7
	77	7
194145-62520-X	75	8
194145-62521-X	75	8 -1
194145-62530	75	37
	76	36
	77	36
194145-63210	75	23
194145-64100	73	53
	74	53
	86	2
194145-64120	73	54
	74	54
	86	3
194145-64410-R	75	33
	76	32
	77	32
194145-64430	75	34
	76	33
	77	33
194145-71500-X	78	4
194145-71750	78	8
194145-72550	78	14
		40
194145-72600-X	78	18
194145-72601-X	78	18 -1
194145-72610-X	78	19
194145-72611-X	78	19 -1
194145-72620	78	21
194145-72630-X	78	22
194145-72640	78	25
194145-72641	78	25 -1

## PARTS No. INDEX

PARTS No.	Fig.	Ref.No.
194145-72671	78	27
194145-72680	78	28
194145-72690	78	29
194145-72710	78	24
194145-72750-X	78	32
194145-72760	78	34
194145-72761	78	34 -1
194145-72841	78	37
194145-73150	78	16
194145-74150-X	78	52
194145-74240-X	78	53
194145-74500	78	55
194145-74600	78	56
194145-74710	78	58
194145-75250	78	61
194145-82111	88	14
194145-82240	88	8
		25
194146-21120	37	3
	38	3
	39	3
	40	3
	41	3
194146-21130	37	6
	38	6
	39	6
	40	6
	41	6
194146-21131	37	6 -1
	38	6 -1
	39	6 -1
	40	6 -1
	41	6 -1
194146-21150-X	37	9
	38	9
	39	9
	40	9
	41	9
194146-21160	37	10
	38	10
	39	10
	40	10
	41	10
194146-21161	37	10 -1
	39	10 -1
	40	10 -1
194146-22610	39	58
	40	66
	41	65
194150-01190	22	2

PARTS No.	Fig.	Ref.No.
194150-01190	23	2
	72	37
	73	36
	74	36
194150-01270	22	9
	23	9
194150-01370	22	17
	23	17
194150-04750	24	16
194150-21910	36	6
	37	11
	38	11
	39	11
	40	11
	41	11
	44	6
		6 -1
194150-22250	36	5
	37	4
	38	4
	39	4
	40	4
	41	4
194150-22460	36	41
194150-22480	36	40
	37	65
	38	64
	39	47
	40	55
	41	54
	55	19
	56	19
194150-24270	26	5
	28	9
	36	7
	37	12
	38	12
	39	12
	40	12
	41	12
	44	7
194150-24290	37	13
	38	13
	39	13
	40	13
	41	13
194150-25231	39	60
	40	68
	41	67
194150-37530	55	22

PARTS No.	Fig.	Ref.No.
194150-37530	56	22
194150-42280	60	5
	61	5
194150-45340	57	44
194150-45360	57	46
194150-45361	57	46 -1
		63
194150-47621-X	59	20
194150-48230	67	34
	68	21
	69	21
194150-51250	70	19
	71	18
194150-51610	28	50
194150-51620	70	21 -1
		21 -2
194150-71230	78	2
194151-04260	24	14
	25	14
	70	7 -1
	71	7
194151-11480	26	17
		21
		25
	35	44
	78	20
		43
194151-24770	28	47
	37	29
	38	29
	39	59
	40	67
	41	66
	42	26
	43	24
194151-37730	39	48
	55	15
	56	15
194151-45150	58	8
194151-45151	58	8 -1
194151-45161	58	13
194151-45434	58	17
194151-45552	58	9
194151-45713	58	20
194151-45721-X	58	24
194151-45810	58	10
194151-45821	58	15
194151-45841	58	6
194151-45872	58	18
194151-45881	58	14

PARTS No.	Fig.	Ref.No.
194151-46610	60	26
	61	26
194151-46640-X	57	41
	60	30
	61	30
194151-47521	59	15
194151-47540-X	59	17
194151-47760	59	22
194151-47770	59	23
194151-48710	67	35
	68	22
	69	22
194151-55100	70	26
	71	27
194151-55110	70	28
	71	29
194151-55120	70	27
	71	28
194151-57100	70	49
	71	47
194151-57210	70	53
	71	51
194151-61170	10	45
194151-61831	72	34
	73	33
	74	33
194151-63240	75	29
	76	26
	77	26
194151-63250	75	30
	76	27
	77	27
194151-65310	81	4
194155-05210	26	41
	72	27 -1
	74	26 -1
	75	22 B
	77	53 -1
194155-52190	70	15
	71	14
194155-53120	70	45
	71	42
194155-55810	70	44
	71	43
194155-55820	70	29
	71	30
194155-61240	72	6
194155-61241	72	6 -1
	73	6
	74	6

## PARTS No. INDEX

PARTS No.	Fig.	Ref.No.
194155-61250	72	5
194155-61251	72	5 -1
	73	5
	74	5
194162-58830	24	24
	25	19
194170-01110	22	1 -1
	23	1
194170-65620	81	38
194180-12650	27	20 -1
194190-11520	63	2
	64	3
194190-22471	39	46
194190-26860	42	61
	43	56
194190-27280	50	2
	51	2
194190-51420	70	11
	71	11
194190-61560	72	42 -1
	73	42
	74	42
194191-13381	70	21
194191-28480	39	73
	40	81
	41	80
194197-01160	22	4 -1
	23	4
194197-63270	75	26 -1
194200-34950	84	44
		49
194200-41170	69	3
194200-41190	69	5
194200-41200	69	6
194200-65601	81	21
	82	23
	83	17
194200-65610	81	22
	82	24
	83	18
194240-03620	21	9
194240-48140	67	49
194240-52120	70	17 -1
	71	16
194240-52210	70	58
194240-63102	75	22
194240-65431	81	7
	82	10
194240-65432	81	7 -1
	82	10 -1

PARTS No.	Fig.	Ref.No.
194240-65432	83	6
194240-65440	81	8
194240-65441	81	8 -1
	82	11 -1
	83	7
194240-65510	81	11
194240-65511	81	11 -1
	82	14 -1
	83	10
194240-65620	81	5 -1
194240-65630	81	26
194240-65660	81	29 -1
		29 -2
194240-65670	81	30
194240-65671	81	30 -1
194240-65710	81	34
194240-98220	82	31
194240-98221	82	31 -1
194240-98230	82	2
194240-98240	82	7
194240-98241	82	7 -1
194240-98250	82	1
194240-98280	82	13
194240-98281	82	13 -1
194240-98290	82	27
194240-98300	82	19
194240-98310	82	20
194240-98320	82	30
194240-98330	82	3
194240-98360	82	11
194240-98380	82	14
194240-98400	82	8
194240-98410	82	33
194241-28151	39	63
	40	71
	41	70
194241-28180	39	65
	40	73
	41	72
194241-28220	39	67
	40	75
	41	74
194241-28520	39	75
	40	83
	41	82
194241-28530	39	76
	40	84
	41	83
194241-65550	81	17
194242-41120-X	69	1

PARTS No.	Fig.	Ref.No.
194242-51130	70	71 -1
	71	111
194242-51660	70	72 A
	71	54
194242-51820	70	79
	71	99
194242-53400	71	84
	86	19 -2
194242-53410	86	27 A
194242-53600	71	56
	86	32
194242-53610	86	33
194242-53620	71	58
	86	34
194242-53630	71	59
	86	35
194242-53640	71	60
	86	36
194242-55420	71	86
	86	27 B
194242-55430	71	61
		87
	86	27 C
		37
194242-55440	71	62
		88
	86	27 D
		38
194242-63120	75	22 A
194242-63120-X	76	50
	77	50
194242-65350	83	5
194242-65450	83	8
194242-65460	83	9
194242-65620	83	24
194242-65630	83	21
194242-65660	83	26
194242-65670	83	25
194242-65680	83	28
194242-65690	83	27
194242-75730-X	80	3
194242-75740	80	4
194250-51660	70	77
		77 -1
	71	20
194270-03410-X	21	1
194270-03420-X	21	2
194270-03421-X	21	2 -1
194270-03430-X	21	6
194270-03440-X	21	8

PARTS No.	Fig.	Ref.No.
194270-03450-X	21	13
194270-03460	21	14
194270-27810-X	51	34
194270-37420-X	56	20
194270-48110-X	69	19
194270-51110	70	20 -2
	71	19
194270-51111	70	20 -3
194270-51120	70	70 -2
	71	110
194270-51140	71	112
194270-51141	70	72 -2
194270-51700	71	98
194270-51701	70	78
	71	98 -1
194270-62510	75	7 -2
	77	7 -1
194270-62520-X	75	8 -2
	76	8
	77	8
194270-65310	83	4
194270-65350	81	5 -2
194270-65550	83	13
194270-65570	83	15
194270-65580	83	16
194270-65640	83	22
194270-65650	83	23
194270-65730	83	30
194270-71540	75	22 C
	76	51
	77	51
194270-75710	80	1
194270-75750	80	5
194271-51650	70	51 -1
194271-65550	83	14
194273-21240-X	37	26
	38	26
194273-26100	48	4
	49	4
194273-26130	48	17
		46
	49	17
		46
194273-26210	48	15
	49	15
194273-26211	48	15 -1
	49	15 -1
194273-26220	48	9
	49	9
194273-26230	48	12



## PARTS No. INDEX

PARTS No.	Fig.	Ref.No.
194273-26230	49	12
194273-26240	48	13
	49	13
194273-26250	48	11
	49	11
194273-26260	48	10
	49	10
194273-26510	48	31 -1
	49	31 -1
194273-26650	48	22
		51
	49	22
		51
194273-27910	50	43
	51	43
194273-27950	51	44 -1
194273-42100-X	60	1
	61	1
194273-47720	63	5
194273-47750-X	63	1
194273-47770	63	18
	64	19
194273-47910	65	28
	66	29
194273-51110	70	20 -1
194273-51120	70	70 -1
194273-61180	72	48
	73	49
	74	49
194273-61500-P	72	38 A
194273-61501-P	72	38 A-1
	73	37
194273-61660-P	72	23
194273-61661-P	73	22
194273-61661-R	74	22
194273-61661-X	72	23 -1
194273-64720	81	1
	82	4
194273-64721	81	1 -1
	82	4 -1
	83	1
194273-64722	81	1 -2
	82	4 -2
	83	1 -1
194273-65570	81	18
194273-65571	81	18 -1
194273-65610	81	23
194273-65611	81	23 -1
	82	25 -1
	83	19

PARTS No.	Fig.	Ref.No.
194273-65650	81	28
194273-65651	81	28 -1
194273-98340	82	25
194273-98370	82	35 -1
194273-98430	82	21
194273-98431	82	21 -1
194273-98440	82	29
194273-98441	82	29 -1
194273-98450	82	28
194273-98460	82	22
194273-98470	82	32
194274-13300	29	28
194274-13340	29	30 A
194274-13550	28	34
	30	49 -1
194274-13560	28	36
194274-13570	28	35
	30	46 -1
		50 -1
194274-13580	28	37
194274-13900	30	66
	31	65
194274-13910	30	67
		71
		75
	31	66
194274-13920	30	10 -2
		72
		77
194274-14100	30	82
194274-14620-X	29	39
194274-15100-X	34	12
	35	12
194274-15110-X	34	13
	35	13
194274-15200	34	18 -1
	35	18 -1
194274-15410	33	43 -1
	34	29 -1
	35	29 -1
194274-16100-X	35	43
194274-16101	35	43 -1
194274-21100-X	37	1
	38	1
	39	1
	40	1
	41	1
194274-21170	37	24
	38	24
	39	55

PARTS No.	Fig.	Ref.No.
194274-21170	40	63
	41	62
194274-21210-X	39	56
	40	64
	41	63
194274-21220	37	25
	38	25
	39	57
	40	65
194274-21220-X	41	64
194274-21400	37	73
	38	72
	40	108 -1
	41	107 -1
194274-21410	37	74
	38	73
	40	109
	41	108
194274-21420	37	75
	38	74
	40	110
	41	109
194274-21500	37	93
	38	92
	40	128
	41	127
194274-21550	37	37
		101
	38	37
		100
	40	27
		135
	41	27
		134
194274-21600	37	87
	38	86
	40	122
	41	121
194274-21640	37	91
	38	90
	40	126
	41	125
194274-21670	37	92
	38	91
	40	127
	41	126
194274-21690	37	100 -1
	38	99
	40	136
	41	135

PARTS No.	Fig.	Ref.No.
194274-21710	37	78
	38	77
	40	113
	41	112
194274-21720	37	79
	38	78
	40	114
	41	113
194274-21730	37	76
	38	75
	40	111
	41	110
194274-21740	37	77
	38	76
	40	112
	41	111
194274-21800	37	80
	38	79
	40	115
	41	114
194274-21900	37	96
	38	95
	40	131
	41	130
194274-22090	37	42
	38	41
	40	32
	41	31
194274-22110	37	43
	38	42
	40	33
	41	32
194274-22111	37	43 -1
	38	42 -1
	40	33 -1
	41	32 -1
194274-22120	37	44
	38	43
	40	34
	41	33
194274-22140	37	45
	38	44
	40	35
	41	34
194274-22150	37	51
	38	50
	40	41
	41	40
194274-22160	37	52
	38	51

## PARTS No. INDEX

PARTS No.	Fig.	Ref.No.
194274-22160	40	42
	41	41
194274-22170	37	53
	38	52
	40	43
	41	42
194274-22190	37	46
	38	45
	40	36
	41	35
194274-22240-X	37	56
	39	38
	40	46
194274-22241-X	37	56 -1
	39	38 -1
	40	46 -1
194274-22242-X	37	56 -2
	38	55
	39	38 -2
	40	46 -2
	41	45
194274-22260	39	29
194274-22290	37	55
	38	54
	40	45
	41	44
194274-22310	37	58
	39	40
	40	48
194274-22311	37	58 -1
	39	40 -1
	40	48 -1
194274-22312	37	58 -2
	38	57
	39	40 -2
	40	48 -2
	41	47
194274-22330	39	28
194274-22370	39	33
194274-22470	37	64
	38	63
	40	54
	41	53
194274-24100-X	42	11
194274-24101-X	42	11 -1
	43	11
194274-24310	42	72
	43	67
194274-24350	42	73
	43	68

PARTS No.	Fig.	Ref.No.
194274-25110	46	2
	47	2
194274-25140	46	5
	47	5
194274-25150	46	1
	47	1
194274-25190	46	4
	47	4
194274-25580	45	41 -1
	46	42
	47	42
194274-25760	45	43 -1
	46	44
	47	44
194274-26340	45	45
	46	45
	47	45
194274-28110-X	39	62
	40	70
	41	69
194274-28131-X	39	62 A
	40	70 A
	41	69 -1
194274-28160	39	64
	40	72
	41	71
194274-28171	39	64 A
	40	72 A
	41	71 -1
194274-28210	39	66
	40	74
	41	73
194274-28220	39	68
	40	76
	41	75
194274-28231	39	68 A
	40	76 A
	41	75 -1
194274-28240	39	69
	40	77
	41	76
194274-28310	39	70
	40	78
	41	77
194274-28320	39	71
	40	79
	41	78
194274-28340	39	72
	40	80
	41	79

PARTS No.	Fig.	Ref.No.
194274-28510	39	74
	40	82
	41	81
194274-28540	39	77
	40	85
	41	84
194274-31400	52	52
194274-56010	70	33
194274-56100	70	34
194274-56101	70	34 -1
	71	34
194274-56120	70	39
		39 -1
194274-61501-R	74	37
194274-64720	81	2
	82	5
194274-64721	81	2 -1
	82	5 -1
	83	2
194274-64722	81	2 -2
	82	5 -2
	83	2 -1
194274-65620	81	25
194274-98350	82	26
194275-01110	22	1
194275-01140-U	23	6
194275-01140-X	22	6
194275-01310	22	28
194275-01320	22	15
194275-01330	22	29
194275-01352	22	10 -1
	23	10
194275-01441-U	22	25
	23	22
194275-04251	24	11
	25	11
194275-04280	24	23
	25	18
194275-04281	24	23 -1
	25	18 -1
194275-11200-X	26	14 -1
194275-12810-P	84	5
		15
194275-12820-P	84	6
		16
194275-12830-P	84	7
		17
194275-12850	84	2
		12
194275-12860	84	3

PARTS No.	Fig.	Ref.No.
194275-12860	84	13
194275-12870	84	4
		14
194275-21400	36	18 -1
	41	107
194275-22450-X	36	43
	37	34
	38	34
	39	100
	40	24
	41	24
194275-24100-X	42	1
194275-24101-X	42	1 -1
	43	1
194275-24190	42	77
194275-25210	45	1
194275-25260	45	6
	46	6
	47	6
194275-25300	45	13
	46	15
	47	15
194275-25310	45	7
	46	7
	47	7
194275-25400	45	28
	46	29
	47	29
194275-25401	45	28 -1
	46	29 -1
	47	29 -1
194275-25470	45	27
	46	28
	47	28
194275-25471	45	27 -1
	46	28 -1
	47	28 -1
194275-25880	45	35
	46	36
	47	36
194275-26510	48	31
		60
	49	31
		60
194275-26511	48	31 -2
194275-26520	48	25
		54
	49	25
		54
194275-26540	48	23

## PARTS No. INDEX

PARTS No.	Fig.	Ref.No.
194275-26540	48	52
	49	23
		52
194275-26541	48	23 -1
	49	23 -1
194275-26550	48	26
		55
	49	26
		55
194275-26560	48	24
		53
	49	24
		53
194275-26580	48	34
	49	34
194275-26590	48	35
	49	35
194275-26610	48	36
	49	36
194275-26910-X	42	62
	43	57
194275-27321	50	20
	51	20
194275-27750	37	14
	38	14
	39	14
	40	14
	41	14
	42	55
194275-27810-X	50	34
194275-27811	50	34 -1
194275-27812	50	34 -2
194275-27830	50	38
194275-27950	50	44
	51	44
194275-34710	84	22
		32
194275-34720	84	23
		33
194275-34730	84	24
		34
194275-34750-P	84	26
		36
194275-34760-P	84	25
		35
194275-37670	55	25
	56	25
194275-42100-X	57	1
194275-42810-X	57	20
194275-43200-X	57	12 -1

PARTS No.	Fig.	Ref.No.
194275-45340	57	44 -1
		62
194275-46310	57	53 -1
194275-46410	57	64
194275-46460	57	65
194275-47180	59	11 -1
194275-47180-X	44	21
194275-48100-X	67	19
194275-48101-X	67	19 -1
194275-48130-X	67	52
194275-51510	70	1 -1
	71	1
194275-56900	70	41 -1
	71	39 -1
194275-62310	75	40
194275-63111	75	22 -1
194275-63111-X	76	21
	77	21
194275-63240	75	41
194275-65660	81	39
194275-65710	81	35
	82	34
	83	29
194275-71600-X	78	5
194275-71700-X	78	6
194275-72800	78	41
194275-73110-X	78	46
194275-73120-X	78	47
194275-73180	78	44
194275-73410-X	78	51
194275-73411-X	78	51 -1
194275-73412-X	78	51 -2
194275-75210-X	79	1
194275-75430	79	2
194275-75720-X	79	4
	80	2
194276-21400	39	24 -1
194278-12650	27	20 -2
194278-41120	85	2 -1
194278-41150	85	4
194278-41160	85	5
194278-41190	85	11
194278-41210	85	12
194278-41230	85	15
194278-41240	85	16 -1
194278-41250	85	15 -1
194278-62530	70	17 B
	71	93
194278-82240	88	8 -1
194279-13900	30	66 -1

PARTS No.	Fig.	Ref.No.
194279-13900	30	81
194279-14220	32	22 -1
194279-14700-P	84	45
		50
194279-14700-Q	89	2
		7
194279-14800	89	3
		8
194279-14810	89	4
		9
194279-14820	89	5
		10
194281-31490	29	4
		17
194281-31570	29	21
194281-31580	29	22
194281-63240	75	22 F
	76	25
	77	25
194286-04140	25	21
194310-24270-X	37	27
	38	27
194310-24280	37	28
	38	28
194310-25100	46	3
	47	3
194310-46460	60	42
	61	42
194310-46620	60	28
	61	28
194310-46630	60	29
	61	29
194310-47790	59	24
194310-47850	59	25
194310-47860	59	26
194310-47870	59	27
194312-24280	37	28 -1
194312-51210	70	20 A
194313-13630	28	32 -1
194320-04210-X	24	8
	25	8
194320-15150	34	15
	35	15
194320-15160	34	16
	35	16
194320-15200	34	18
	35	18
194320-15250	34	19
	35	19
194320-15260	34	20

PARTS No.	Fig.	Ref.No.
194320-15260	35	20
194320-15270	34	21
	35	21
194320-15280	34	22
	35	22
194320-15290	34	23
	35	23
194320-15470	34	36
	35	36
194320-15500	34	37
	35	37
194320-15610-X	34	10
	35	10
194320-15710	34	1
	35	1
194320-26360	48	23 -2
	49	23 -2
194320-41150	67	3
	68	3
194320-41160	67	11
	68	11
194320-43210-X	60	7
	61	7
194320-44220	62	4
194320-44260	62	7
194320-44270	62	8
194320-44271	62	8 -1
194320-44520	62	11
194320-44740-X	60	10
194320-47310-X	65	1
194320-47380-X	65	12
	66	12
194320-47410-X	65	9
	66	9
194320-47530-X	65	27
	66	28
194320-47750-X	63	1 -1
194320-47760	63	16
	64	17
194320-47800-X	63	8
194320-47810	63	13
	64	14
194320-47820	63	14
194320-47840	63	6
	64	7
194320-47850	63	9
194320-47860	63	25
	64	26
194320-47880	63	12
	64	13

## PARTS No. INDEX

PARTS No.	Fig.	Ref.No.
194320-47890	63	10
194320-48110-X	68	19
194320-48660	68	52
194320-51580	70	8
	71	8
194320-53400	86	19 -1
194320-53420	86	20 -1
		20 -2
194320-53430	86	22
194320-53440	86	23
194320-53450	86	24
194320-53480	86	27
194320-61100-P	72	1
	73	1
194320-61100-R	74	1
194320-63220-X	75	44
194320-82110	88	14 -1
194321-11110-X	28	1
194321-11111-X	28	1 -1
194321-11112	28	1 -2
194321-11600-X	28	13
194321-11601	28	13 -1
194321-11620	28	15
194321-11630-X	28	17
194321-11640	28	18
	29	40
194321-11901-X	30	31
	31	31
194321-11921	30	33
		37
	31	33
		37
194321-11940	30	42 -1
	31	42
194321-11950-X	30	35
	31	35
194321-11970	30	39
194321-11980	30	40
194321-11990	30	41
194321-12110-X	30	47
	31	46
194321-12210-X	30	48
	31	47
194321-12310-X	30	63
	31	62
194321-13100	29	1
194321-13130	29	7
194321-13140	29	8
194321-13150	29	9
194321-13160	29	5

PARTS No.	Fig.	Ref.No.
194321-13170	29	6
194321-13180	29	10
194321-13200	29	15
194321-13230	29	18
194321-13250	29	19
194321-13270	29	20
194321-13290	29	27
194321-13340	29	29
194321-13350	29	30
		30 -1
194321-13360	29	31
		31 -1
194321-13370	29	32
194321-13380	29	33
194321-13400	28	40
194321-13410-X	28	38
194321-13420	28	39
194321-13440	29	36
194321-13450-X	28	42
194321-13460	28	41
194321-13471	28	43
194321-13481	28	44
194321-13490	29	37
194321-13510	29	46
194321-13520	29	47
194321-13521	29	47 -1
194321-13610-X	28	27
194321-13620	28	31
194321-13630	28	32
194321-13640	28	25
194321-13650	28	26
194321-13660	28	29
194321-13670	28	30
194321-13680	28	24
194321-13700-X	30	3
	31	3
194321-13720-X	30	4
	31	4
		5
		79
	31	5
194321-13740-X	30	1
	31	1
		70
194321-13741	30	70
194321-13741-X	30	1 -1
194321-13750-X	30	6
	31	6
194321-13760	30	7
		80
	31	7

PARTS No.	Fig.	Ref.No.
194321-13850	29	50
194321-13860	30	8
	31	8
194321-13870	29	51
194321-13880	29	52
194321-13881	29	52 -1
194321-13890	29	53
194321-13891	29	53 -1
194321-13900	30	9
	31	9
194321-13910-X	30	2
	31	2
194321-13911	30	76
194321-13911-X	30	2 -1
194321-13920	30	10
	31	10
194321-13930	30	11
		11 -1
	31	11
194321-13940-X	28	28
194321-13950	30	12
	31	12
194321-13960	30	13
	31	13
194321-13970	30	14
	31	14
194321-13980	30	15
194321-13990	30	16
194321-14110-X	32	13
194321-14120	32	14
194321-14121	32	14 -1
194321-14140	32	15
194321-14170	32	16
194321-14490	30	83
194321-14610-X	29	38
194321-14650	29	41
194321-14660	29	42
194321-14700-P	32	2
		8
194321-14820	32	5
		11
194321-14830	32	6
		12
194321-14850	32	3
		9
194321-14860	32	4
		10
194322-11120-X	26	6 -1
	28	2 -1
194322-26330	48	22 -1

PARTS No.	Fig.	Ref.No.
194322-26330	49	22 -1
194322-26340	48	25 -1
	49	25 -1
194322-26550	48	26 -1
	49	26 -1
194322-26570	48	24 -1
	49	24 -1
194322-44740-X	61	10
194322-47740-X	64	1
194322-47910-X	63	28
	64	28
194322-47920	63	29
	64	29
194322-47930-U	63	30
	64	30
194322-47940-U	63	31
	64	31
194322-61190-P	72	14 -1
	73	13 -1
194322-61190-R	74	13
194322-61350-P	72	15 -1
	73	14 -1
194322-61350-R	74	14
194322-63250	75	22 G
	76	31
	77	31
194322-63280	75	22 H
	76	30
	77	30
194322-65561	81	16 -1
194322-65861	81	51
194322-71600-X	78	5 -1
194322-71700-X	78	6 -1
194322-82110-R	88	17
194323-13290	29	27 -1
194323-65561	81	17 -1
194324-61280-P	72	2 -1
194324-61280-R	74	2 -1
194324-62110-P	75	1 -1
194324-62110-R	77	1 -1
194324-62120-P	75	2 -1
194324-62120-R	77	2 -1
194324-62310	74	40 -1
194324-65860	82	39
194340-34610	84	43
		48
194340-98270	82	12
194370-04720	24	21 -2
194370-05110	26	40 -1
194370-11110	26	1 -3

## PARTS No. INDEX

PARTS No.	Fig.	Ref.No.
194370-11130-X	26	10
	28	3
194370-11150	26	10 -1
	28	3 -1
194370-26110	48	45
	49	45
194370-27830	50	38 -1
	51	38
194370-48151-X	69	20
194370-48290-X	69	55
194370-48300	69	60
194370-48310-X	69	61
194370-48320	69	62
194370-48330	69	63
194370-48340	69	64
194370-48350	69	66
194370-48390	69	67
194370-51550	70	4 -1
194370-51570	70	3 -1
194370-56270	70	34 -2
194370-61160-P	72	21
	73	20
194370-61160-R	74	20
194370-61170	72	21 -1
194370-61190	72	16 A
194370-61200	72	16 -1
194370-61230	72	17 A
194370-61240	72	17 -1
194370-61280-P	73	2
194370-61280-R	74	2
194370-61330	72	33 -1
	74	32 -1
194370-61371-P	72	11 -1
	73	10
194370-61371-R	74	10
194370-61990	72	22
	73	21
	74	21
194370-62220-P	76	47
194370-62220-R	77	47
194370-62230-P	76	48
194370-62230-R	77	48
194370-65350	81	5
194370-65450	81	9
194370-65451	81	9 -1
	82	12 -1
194370-65460	81	10
194370-65461	81	10 -1
194370-65560	81	16
194370-65570	81	19

PARTS No.	Fig.	Ref.No.
194370-65580	81	20
194370-65640	81	27
194370-65660	81	29
194370-65680	81	31
194370-65690	81	32
194370-65700	81	33
194370-65730	81	36
	82	35
194370-65830	81	24
194371-64750	81	3
	82	6
	83	3
194371-64751	81	3 -1
	82	6 -1
	83	3 -1
194376-11110-X	28	1 -3
194376-11620	28	15 -1
194376-11650	28	15 A
194376-48190-X	69	24
194420-01450	22	16 -1
194420-41180	69	4
194420-47370	65	11 -1
	66	11
194420-61640	72	28 -1
	73	11
		27
	74	11
		27
194421-13650	30	18 -1
194432-41150	69	2
194432-41210	69	7
194440-01550	26	10 A
	28	3 B
	70	9 A
194440-51610	70	22 -1
194440-52190	70	57
194440-52400	70	62 -1
	71	101 -1
194441-13460-X	28	48
194446-62310	73	40
	74	40
194446-65630	81	26 -1
194446-65681	81	40
194447-65621	81	25 -1
	82	26 -1
	83	20
194448-63110	75	22 -2
	77	21 -1
194448-65620	82	36
194448-65630	82	27 -1

PARTS No.	Fig.	Ref.No.
194448-65660	82	37
194448-65680	82	38
194450-12551	35	47
194450-12552	35	47 -1
194450-12560	35	48
194450-12561	35	48 -1
194450-16170	35	45
194450-45150	62	66
194450-45160	62	28
194450-45230	62	38
194450-45240	62	53
194450-45250	62	37
194450-45260	62	36
194450-45270	62	54
194450-45280	62	51
194450-45290	62	52
194450-45310	62	50
194450-45320	62	64
194450-45330	62	62
194450-45340	62	63
194450-45350	62	65
194450-45360	62	61
194450-45420	62	34
194450-45430	62	35
194450-45440	62	33
194450-45450	62	73
194450-45460	62	76
194450-45470	62	77
194450-45480	62	79
194450-45490	62	80
194450-45510	62	74
194450-45520	62	75
194450-45530	62	82
194450-45540	62	84
194450-45550	62	86
194450-45560	62	87
194450-45570	62	83
194450-45580	62	93
194450-45590	62	31
194450-45610	62	42
194450-45620	62	44
194450-45630	62	45
194450-45640	62	46
194450-45650	62	43
194450-45660	62	47
194450-45670	62	48
194450-45680	62	49
194450-45710	62	68
194450-45720	62	67
194450-45730	62	69

PARTS No.	Fig.	Ref.No.
194450-45740	62	70
194450-45750	62	71
194450-45760	62	72
194450-45810	62	60
194450-45820	62	59
194450-45830	62	58
194450-45840	62	57
194450-45850	62	56
194450-45860	62	55
194450-45870	62	91
194450-45880	62	90
194450-46430	60	40
	61	40
194450-46750	57	10 -1
	60	11
		44
	61	11
		44
194450-47340-X	65	22
	66	23
194450-47350	65	23
	66	24
194450-47360-X	65	10
194450-47370	65	11
194450-47390	65	15
	66	16
194450-47420-X	65	4
	66	4
194450-47430-X	63	4
	64	5
	65	5
194450-4743--X	66	5
194450-47440	65	16
194450-47450	65	14
194450-47460-X	65	6
	66	6
194450-47470	66	15
194450-47510	65	31
	66	34
194450-47560	65	33
	66	35
194450-47570	65	34
	66	42
194450-47610	65	32
	66	37
194450-47620	65	39
	66	36
194450-47630	65	38
	66	40
194450-47640-X	65	36

## PARTS No. INDEX

PARTS No.	Fig.	Ref.No.
194450-47640-X	66	43
194450-47650	65	41
	66	41
194450-47660	65	40
	66	38
194450-47790-X	63	23
	64	24
194450-52150	70	17 A
	71	92
194450-53800	71	64
	86	40
194450-53810	71	65
	86	41
194450-53820	71	66
	86	42
194450-53830	71	67
	86	43
194450-53840	86	44
194450-53850	86	45
194450-53860	86	46
194450-53870	71	68
	86	47
194450-53880	71	69
	86	48
194450-53890	86	49
194464-01320	22	15 -1
	23	15
194464-11171	26	6 A
	28	3 A
194464-11220	26	16 -1
194464-11340	26	20 -1
		24 -1
194464-12190	27	52 -1
194464-15450	33	58
	34	42
	35	42
194464-21150	37	8 -1
194464-22151	37	103
	38	102
	40	138
	41	137
194464-25260	45	6 -1
	46	6 -1
	47	6 -1
194464-25900	45	23 -1
	46	23 -1
	47	23 -1
194464-27310	50	19 -1
	51	19 -1
194464-27320	50	20 -1

PARTS No.	Fig.	Ref.No.
194464-27320	51	20 -1
194464-27610	50	27 -1
	51	27
194464-27620	50	26 -1
	51	26
194464-27651	50	46
	51	46
194464-27660	50	47
	51	47
194464-44850	67	37 -1
194464-45100	62	19 -1
194464-45130	62	88 -1
194464-45170	62	27 -1
194464-45180	62	89 -1
194464-45410	62	32 -1
194464-45920	42	75
	43	70
	57	57
	62	96
194464-45930	42	74
	43	69
	57	58
	62	97
194464-45940	62	94
194464-45950	62	95
194464-47300-X	66	1
194464-47360-X	65	10 -1
	66	10
194464-47440	65	16 -1
	66	17
194464-47470	65	42
	66	45
194464-47510	65	31 -1
	66	34 -1
194464-47560	65	33 -1
	66	35 -1
194464-47721-X	64	6
194464-47830	64	15
194464-47870-X	64	10
194464-47890	63	27
	64	11
194464-48850	68	29 -1
	69	31
194464-51740	70	9 C
194464-52190	70	57 -1
	71	91
194464-74510	78	55 -1
194464-74710	78	58 -1
194465-11920	30	44 -1
194465-11930	30	43 -1

PARTS No.	Fig.	Ref.No.
194465-11930	75	39 -1
	76	40
	77	40
194465-11940	75	38 -1
	76	39
	77	39
194465-13240	29	22 -1
194465-13260	29	21 -1
194465-13920	30	10 -1
	31	10 -1
194465-14220	32	22
194490-63210	75	23 -1
194490-63210-X	76	43
	77	43
194490-85561	50	29
	51	29
194491-13550	28	34 -1
194491-13780	30	17 -1
194550-51220	70	20 B
194555-34190	84	30 -1
		40 -1
194555-34210	84	29 -1
		39 -1
194555-34850	84	28 -1
		38 -1
194630-64110	86	2 -1
194640-54100	86	6 -1
194640-54110	86	15 A
194640-54120	86	15 B
194640-54130	86	15 C
194640-54140	86	15 D
194640-54150	86	15 E
194640-54160	86	15 F
194640-54170	86	15 G
194640-54180	86	15 H
194640-54190	86	15 I
194730-57120	30	51 -1
	33	17 -1
	34	46 -1
194730-57130	30	57 -1
	33	23 -1
	34	52 -1
194730-57220	27	36
		42
	30	56
		62
	31	55
		61
	33	22
		28

PARTS No.	Fig.	Ref.No.
194730-57220	34	51
		57
	35	50
194730-57241	27	34
		40
	30	53
		59
	31	52
		58
	33	20
		26
	34	49
		55
	35	49
194730-57411	31	53
		59
194740-00160	22	12
	23	12
194740-76200	75	19
	76	18
	77	18
194740-80121	88	13
194750-04400	22	16 -2
	23	16
194750-04410	22	21
194750-15310	33	39
	34	25
	35	25
194880-51410	70	9 -1
194990-20180	67	16
	68	18
	69	18
194990-22030	70	32
		38
	71	33
		37
		70
		75
		21
		76
		20
		77
		20
194990-22040	21	15
	22	23
	42	8
	43	8
	70	25
	71	26
	72	3
	73	3
	74	3
194990-22050	4	29

## PARTS No. INDEX

PARTS No.	Fig.	Ref.No.	
194990-22050	21	5 -1	
		12 -1	
	42	6	
		16	
	43	6	
		16	
	70	17 C	
	71	82	
		95	
		75 43	
194990-22120	86	15 L	
	81	37	
	82	40	
194990-22130	83	31	
	70	69	
	71	108	
194990-22140	86	5	
	70	5	
	71	5	
	72	40	
		40 -1	
	73	39	
	74	39	
	75	32	
		45	
	76	44	
	46		
194990-22150	77	44	
		46	
	86	17	
		31	
	75	22 E	
	76	49	
	77	49	
	194990-22160	75	48
		76	55
		77	55
194990-22830	27	29	
	30	64	
	31	63	
	33	16	
194990-22840	34	45	
	27	30	
	30	65	
	31	64	
	33	15	
	34	44	
194990-42720	36	27	
	39	37	
	42	64	

PARTS No.	Fig.	Ref.No.
194990-50550	43	59
194990-57740	27	5
198220-01261	22	8 -1
198220-48750	68	31 -1
198245-38410	55	10 -2
198291-18120	27	37 -1
	33	23 -2
	34	52 -2
198291-18130	27	31 -1
	33	17 -2
	34	46 -2
1A1020-58150	50	3
	51	3
1A1030-12200	27	4
1A1040-26320	50	6
	51	6
1A3990-99030	39	78
	40	86
	41	85
1E4030-27340	50	4
	51	4
1E6140-58680	39	30
3-10045	90	6
3-10066	90	8
3-10067	90	13
3-10079	90	12
3-10087	90	11
3-10130	90	10
3-10152	90	7
3-10287	90	5
3-12251	90	9
4-11040	90	1
4-11790	90	4
43400-500390	13	31
	20	41
43400-500400	14	30
	20	44
43400-500410	1	15
	14	40
	20	3
711100-51540	11	11
721120-13700	5	1 -1
721150-51530	11	26
721240-01560	1	1 -1
721241-13700	5	1 A
721250-01541	1	27
721250-01542	1	27 -1
721250-01561	1	1
721250-01900	1	24
721250-02500	7	20

PARTS No.	Fig.	Ref.No.
721250-02610	7	27
721250-02611	7	27 -1
721250-02620	7	32
721250-02621	7	32 -1
721250-11521	3	55
721250-11650	3	32
721250-11660	3	40
721250-11670	3	44
721250-11680	3	36
721250-11700	3	1
721250-13500	5	9
721250-13700	5	1
721250-14580	6	1
721250-21700	7	1
721250-22500	8	3
721250-22720	8	1
721250-42700	10	1
721250-51700	11	1
721250-55540	13	2
721252-11650	3	32 -1
721252-11660	3	40 -1
721252-11670	3	44 -1
721252-11680	3	36 -1
721252-11700	3	1 -1
721252-32100	9	1 -2
721253-92600	20	1
721254-13700	5	1 -2
721256-01540	1	27 -2
721390-32100	9	1
721420-13501	5	9 -1
721423-32100	9	1 -3
724160-01612	2	1
724160-01613	2	1 -1
724450-23100	8	9
724450-61520	14	1
724450-66530	14	7
724550-51520	11	9
724770-53100	12	1
794081-21400	36	18
	39	24
794081-21700	36	19
	39	25
794081-54101	71	72
	86	6
794082-34900	53	14
		24
	89	17
		27
794110-25220	45	3
	48	1

PARTS No.	Fig.	Ref.No.
794110-25220	48	40
	49	1
		40
794130-15700	33	6
794130-22150	36	24
794130-25901	45	23
	46	23
	47	23
794130-71410	78	3
		15
		33
		50
	80	10
794142-34601-P	53	13
794142-34601-Q	89	16
794142-34621-P	53	23
794142-34621-Q	89	26
794142-34801-P	53	17
		27
794142-34801-Q	89	20
		30
794145-11200-X	26	14
794145-12900-P	27	15
794145-12900-Q	89	11
794145-21100-X	36	1
794145-32610-X	44	22
		25
794145-32620-X	44	17
794145-64100	86	1
794145-74500-X	78	54
794145-82100	88	1
794151-45102-X	58	1
794151-45113-X	58	2
794273-53400	86	18
794274-13701	30	68
794274-13711	30	69
794274-13721	30	74
794275-14700-P	84	1
794275-14800-P	84	11
794275-25820	45	29
	46	30
	47	30
794275-34500-P	84	21
794275-34600-P	84	31
794275-41200	85	7
794275-71500-X	78	1
794275-72100-X	78	17
794275-72101-X	78	17 -1
794275-72530-X	78	11
794275-72800	78	39

## PARTS No. INDEX

PARTS No.	Fig.	Ref.No.
794275-74500-X	78	54 -1
794278-41100-X	85	1 -1
794278-82100	88	1 -1
794279-14700-Q	89	1
794279-14800-Q	89	6 -1
794321-14700-P	32	1
794321-14800-P	32	7
794322-82110	88	16
794323-14700-P	84	41
794323-14800-P	84	46
794340-34600	84	42
		47
794370-48300	69	59
794450-46410	60	36
	61	36
794464-45110	62	20
794730-57122-X	27	31
	30	51
	31	50
	33	17
	34	46
794730-57132	33	23
794730-57132-X	27	37
	30	57
	31	56
	34	52
AZ0502-10010	87	1
AZ0552-10010	87	2
X21142215	17	13
X21145866	17	34
X21201110	17	3
X21201115	16	3
	17	7
X21201313	17	17
X21201605	17	28
X21202601	17	24
X21202602	17	25
X21202803	16	31
X21202815	16	36
X212037002	17	32
X21204150	16	2
X21204220	16	11
X21204259	17	12
X21204302	17	19
X21204401	16	20
	17	21
X212045001	16	21
	17	22
X21204810	17	33
X21205305	16	16

PARTS No.	Fig.	Ref.No.
X21205310	17	15
X21205400	17	20
X21205650	17	23
X21206312	16	18
X21206610	16	27
X21206810	16	35
X21207100	17	2
X21207312	17	16
X21208311	16	13
X212086002	16	22
X21209311	17	14
X213011001	18	2
X21301110	18	25
X21301119	18	10
X21301310	16	15
		23
X21301402	18	22
X213017002	18	27
X21301827	16	38
X21302115	18	5
X21302302	18	3
X21302402	18	24
X21302601	18	29
X21302605	18	30
X21303302	18	4
X21303400	16	19
X21303610	18	33
X21304301	18	17
X213043011	18	17 -1
X21304313	16	17
X21304400	18	21
X213045001	18	26
X21305312	18	19
X21305313	18	20
X21305820	18	37
X21306700	16	30
X21307300	16	14
X21307305	18	18
X213076001	18	28
X21307605	16	24
X21308220	18	14
X21308311	18	16
X22501300	17	18
X22506105	16	7
X6201SD	19	5
X6202B	19	23
XB444001A	19	4
XL1151341	19	18
XL1153802	19	11
XL1154501	19	24

PARTS No.	Fig.	Ref.No.
XL1154801	19	25
XL1154803	19	14
XL1156400	19	19
XL1201403	19	20
XL1201404	19	21
XL1208300	19	7
XL1255310A	19	12
XL1258320	19	13
XL135N1301	19	8
XL135N1302	19	10
XL135N220	19	6
XL135Y1801	19	26
XLT1157100	19	2

PARTS No.	Fig.	Ref.No.
-----------	------	---------