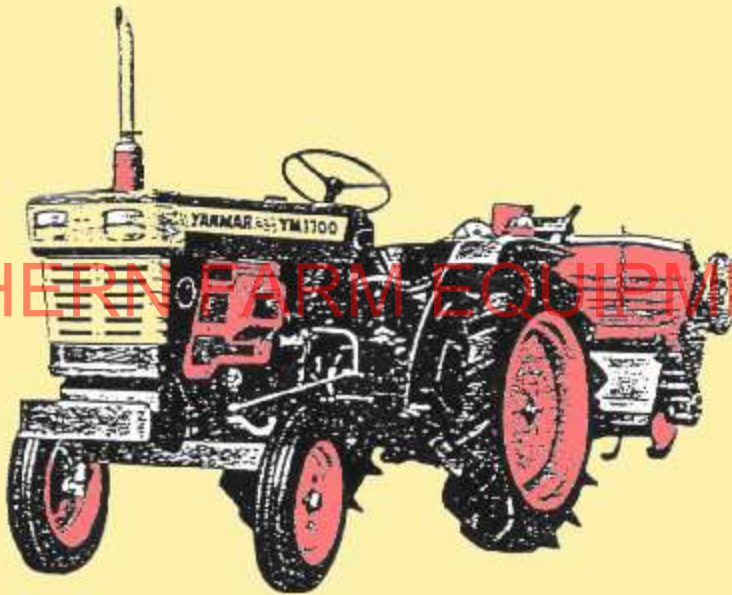


Yanmar Parts Catalog

YM1700-A
YM2000A-A



**DONT SEE WHAT YOU ARE LOOKING FOR?
LOOKING FOR USED PARTS? GIVE US A CALL!**



Yanmar Diesel Engine Co., LTD

1-251-957-2857

YM1700A/YM2000A Index

General Information

Pages 5-6	Specification Pages
Page 7	Electrical Wiring Diagram
Page 8	Power Transmission Structural Drawing
Page 9	Travelling Transmission Sectional View 1
Page 10	Travelling Transmission Sectional View 2

Parts List

Section 1	Throttle Assembly
Section 2	Throttle Linkage (optional)
Section 3	Fuel Tank
Section 4	Engine Guards
Section 5	Clutch
Section 6	Transmission & Rear Axle Housing
Section 7	Transmission Housing (inner)
Section 8	Shift Levers
Section 9	Brakes
Section 10	Steering System
Section 11	Front Axle
Section 12	Tires
Section 13	Hydraulic Lift
Section 14	Hydraulic Control Valve
Section 15	Hydraulic Piping
Section 16	Hood
Section 17	Fenders, Steps, Seat & Tool Box
Section 18	Electrical Parts
Section 19	Drawbar
Section 20	Toolkit
Section 21	3 Point Hitch

Engine Section Parts List

Section 1-2	Cylinder Block
Section 3-4	Gear Case
Section 5-6	Cylinder Head
Section 7	Air Cleaner
Section 8	Camshaft
Section 9	Main Bearing and Crankshaft
Section 10	Piston and Connecting Rod
Section 11	Lubricating Oil System
Section 12-14	Cooling Water System
Section 15	Fuel Injection Pump
Section 16	Fuel Injection Valve
Section 17-18	Fuel Oil System
Section 19-20	Governor System
Section 21	Electric Starting Equipment
Section 22-23	Starting Motor
Section 24	AC Generator
Section 25	Thermostart

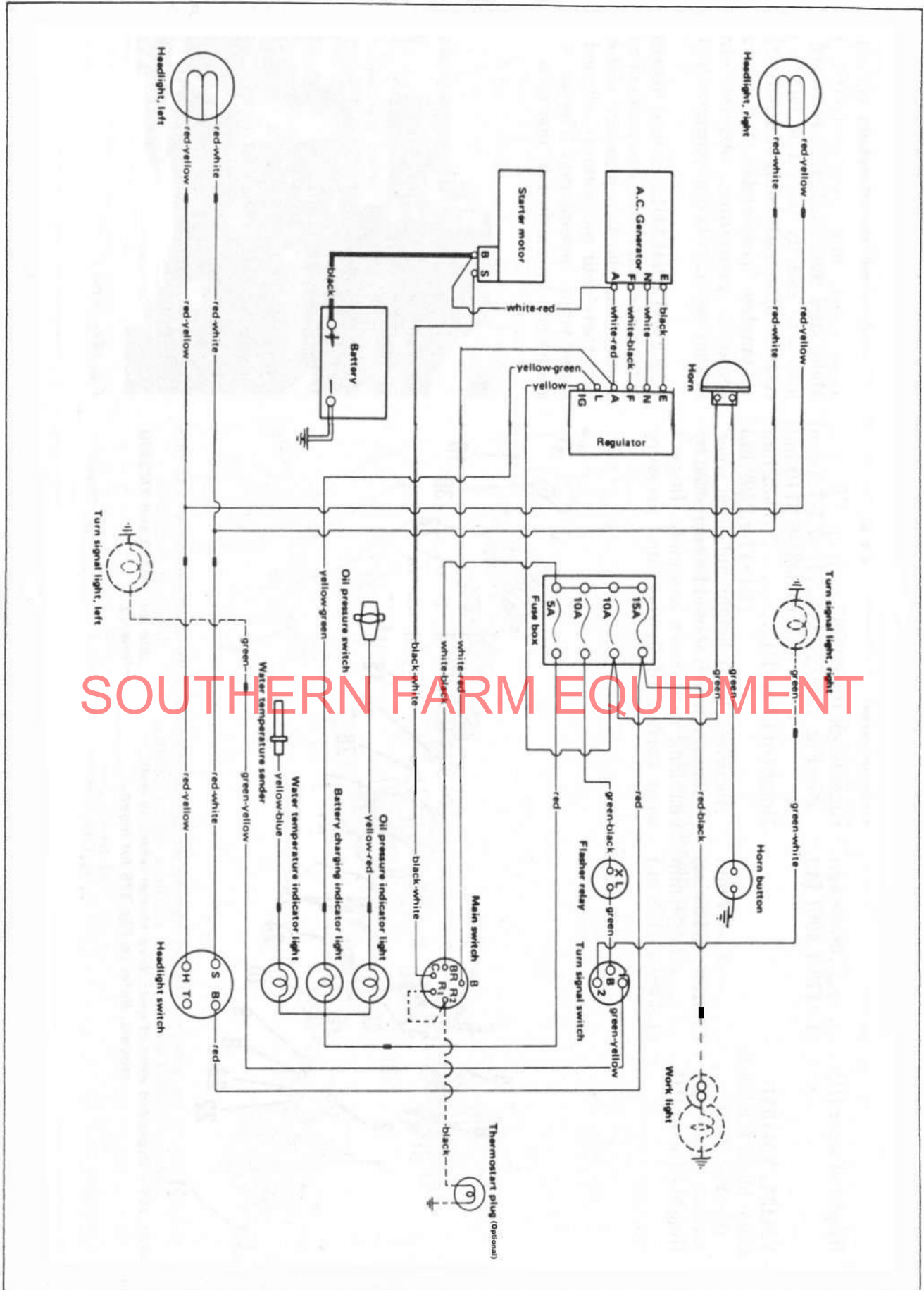
Specifications (1 of 2)

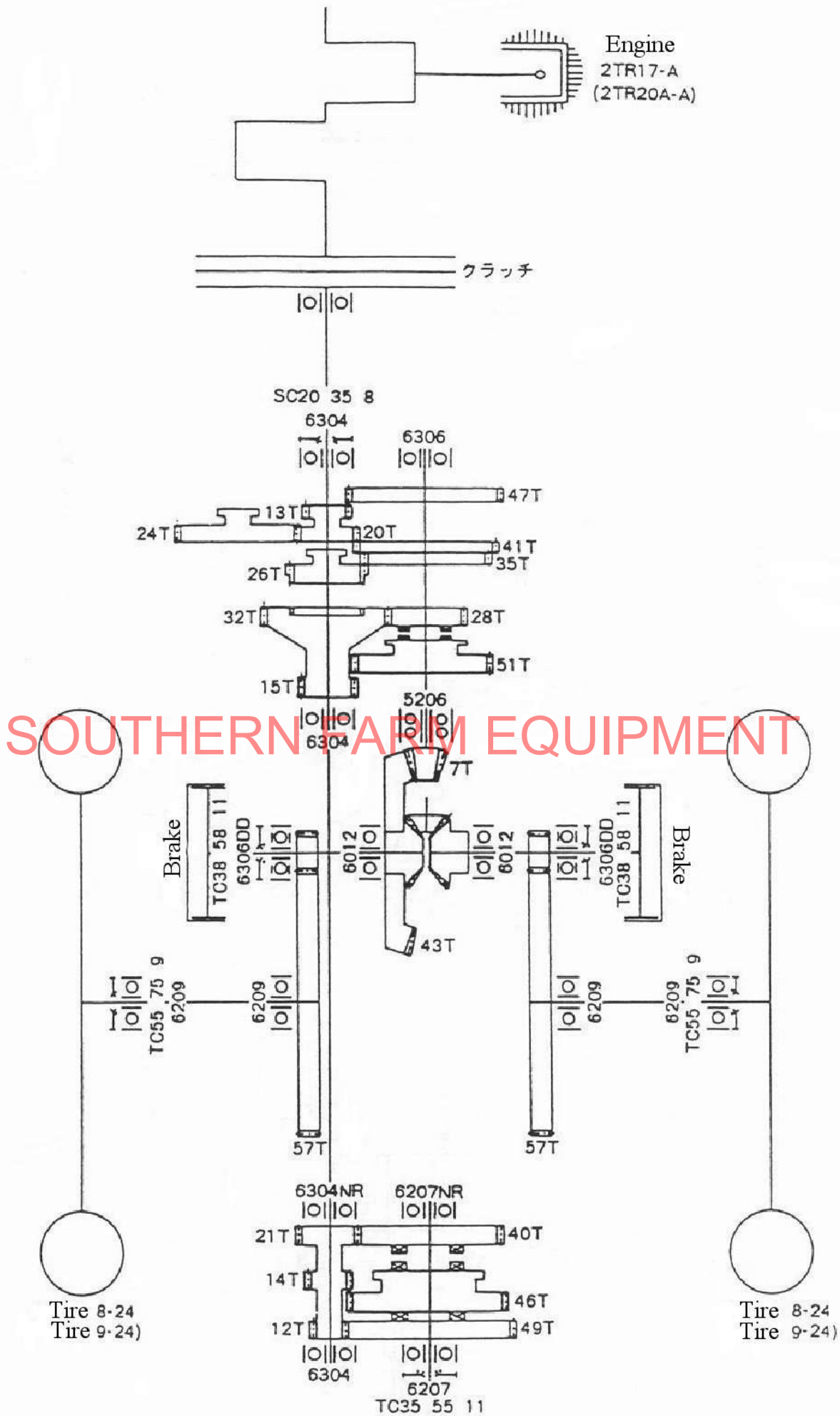
Model		YM1700-A	YM2000A-A			
項	目	仕 様		備 考		
Weight	Total Wt. (kg)	7 2 0	7 5 5	(本機単体)		
	(kg)	Front	3 3 0	3 4 5		
		Rear	3 9 0	4 1 0		
	附加重量 (kg)	後 輪	20×2+25×4=140	20×2+25×8=240	アタッチメント	
本 体		20 × 5 = 100		アタッチメント		
Horsepower (PS/rpm)		17 / 2400	20 / 2400			
形 状	ホイールトラクタ					
車 種	小型特殊自動車					
Speed	km/h (m/sec)	Forward	1	0.83 (0.23)	0.87 (0.24)	ハイラグタイヤ装着時
		2	1.45 (0.40)	1.55 (0.43)		
		3	2.21 (0.62)	2.35 (0.65)		
		4	3.10 (0.86)	3.30 (0.92)		
		5	3.51 (0.98)	3.73 (1.03)		
		6	5.47 (1.52)	5.81 (1.61)		
		7	8.30 (2.31)	8.82 (2.45)		
		8	14.00 (3.89)	14.90 (4.14)		
		1	1.45 (0.40)	1.55 (0.43)		
		2	5.47 (1.52)	5.81 (1.61)		
	最小旋回半径 (mm)	1 8 0 0	1 9 0 0	ブレーキ使用時		
機 体 寸 法	全 長 (mm)	2 3 9 0	2 5 2 5			
	全 幅(標準状態) (mm)	1 1 2 0	1 1 4 5			
	全 高(マフラー上端) (mm)	1 7 3 5	1 7 5 5			
	軸 距(標準状態) (mm)	1 4 2 0	1 4 9 0			
	軸 距	前 輪 (mm)	8 4 0	8 4 0		
		後 輪 (mm)	880・1000	880・1000		
	最低地上高 (mm)	3 3 5	3 5 0			

Specifications (2 of 2)

Model		YM1700-A	YM2000A-A		
項	目	仕	様	備 考	
機 関	Engine Model	2TR17-A	2TR20A-A		
	種 類	ディーゼル			
	冷 却 方 式	水冷ラジエータ			
	No. of Cylinders	2			
	Bore X Stroke (mm)	85×90	90×90		
	Displacement (cc)	1021	1145		
	燃 料 系 統	噴 射 ポンプ	ボッシュ		
		噴 射 弁 形 式	ピントル		
		燃 料	ディーゼル軽油またはヤンマー重油		
	Fuel Capacity (ℓ)	22			
	潤 滑 系 統	潤 滑 方 式	トロコイドポンプ		
		Oil Capacity (ℓ)	4.0		サブタンク水量含まず
	Cooling System (ℓ)	4.6			
	Electrical System	Alternator (V-kW)	12-0.18		
Starter (V-kW)		12-1.3			
Battery (V-AH)		12-75			
動 力 伝 導 部	主 ク ラ ッ チ	乾 式 単 板		(ダイヤフラムクラッチ)	
	Transmission Fluid (ℓ)	15			
	差 動 装 置 形 式	傘 歯 車 式 (デフロック付)			
	終 減 速 機 形 式	平 歯 車			
走 行 装 置	Tire Size	Front	4.00-12-4P	4.00-15-4P	
		Rear	8.3/8-24-4P	9.5/9-24-4P	ハイラグタイヤ
	か じ 取 装 置	ボールスクリュース式			
	足 ブ レ ー キ	内部拡張機械式			
駐 車 ブ レ ー キ	ペダルロック式				
運 転 装 置	計 器 類	アワメータ、水温パイロットランプ 速度計、チャージパイロットランプ、 油圧パイロットランプ			
	照 明 装 置	前照灯・方向指示灯			
動 力 取 出 軸	回 転 方 向	右 廻 り			
	軸 寸 法 (mm)	34・83			
	PTO Speeds (rpm)	588・730・1260			
	そ の 他 駆 動 軸	な し			
		固定ピン式			
Power Lift	Max. Lift Capacity (kg)	650			
	Lift Type	3 Point Hitch, Category 1		ロアリンク先端水平時	
	標準ロータリ耕幅 (mm)	標準 1400	標準 1400		
	油 圧 制 御 方 式	ポジションコントロール付			

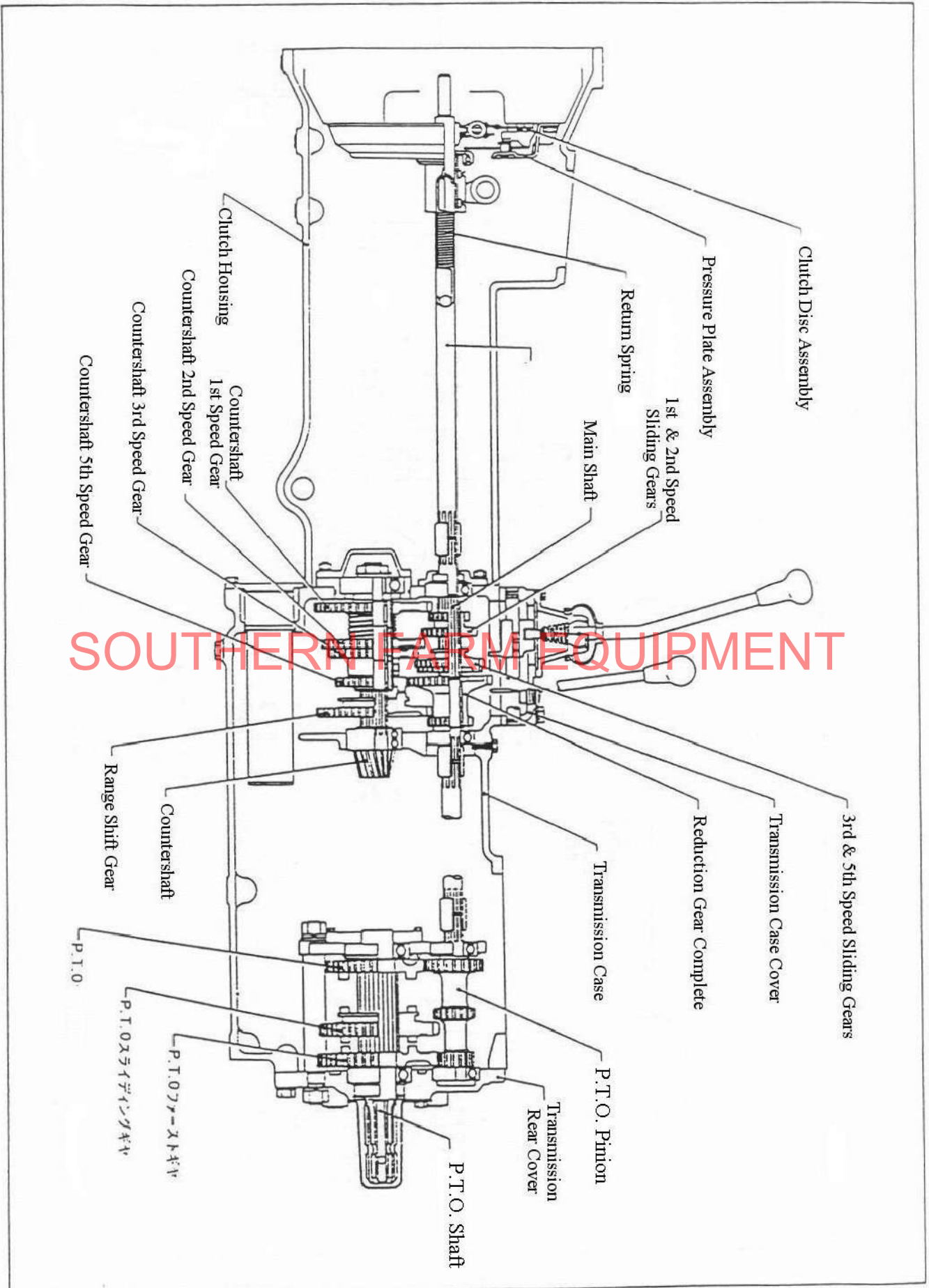
Electrical Wiring





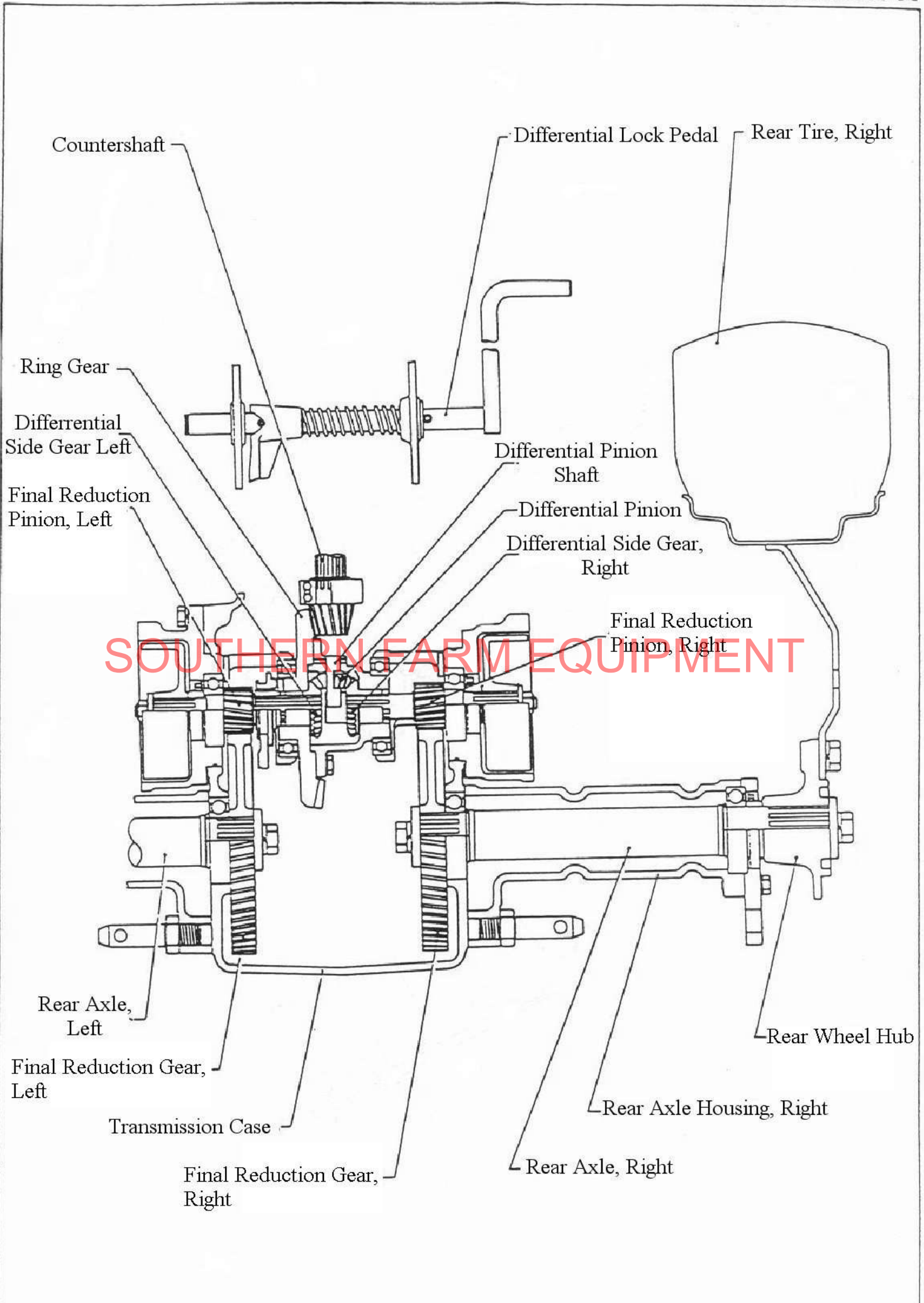
YM1700-A
YM2000A-A

Travelling Transmission Sectional View



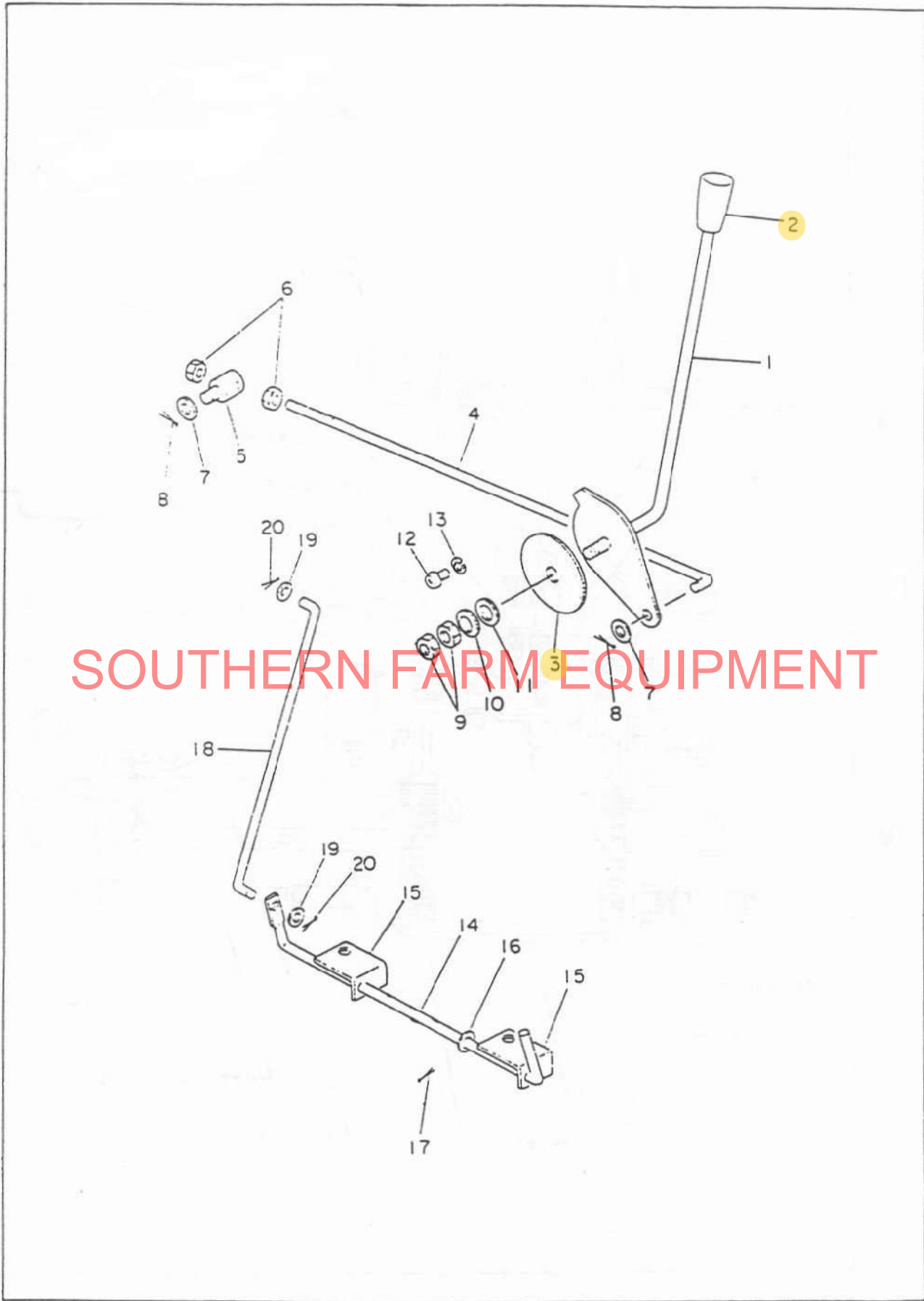
Travelling Transmission Sectional View (2)

YM1700-A
YM2000A-A

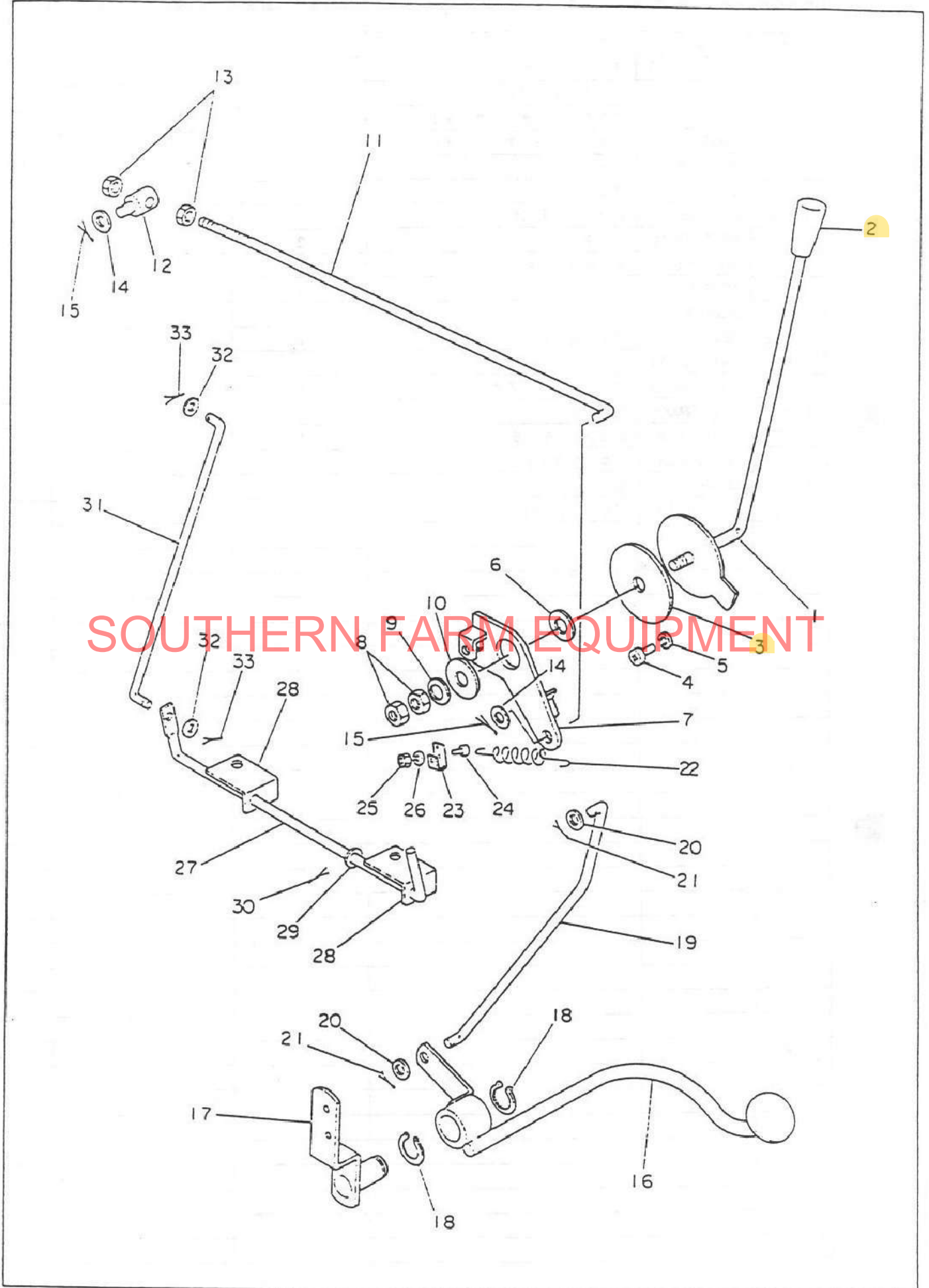


1. Throttle Assembly (1)

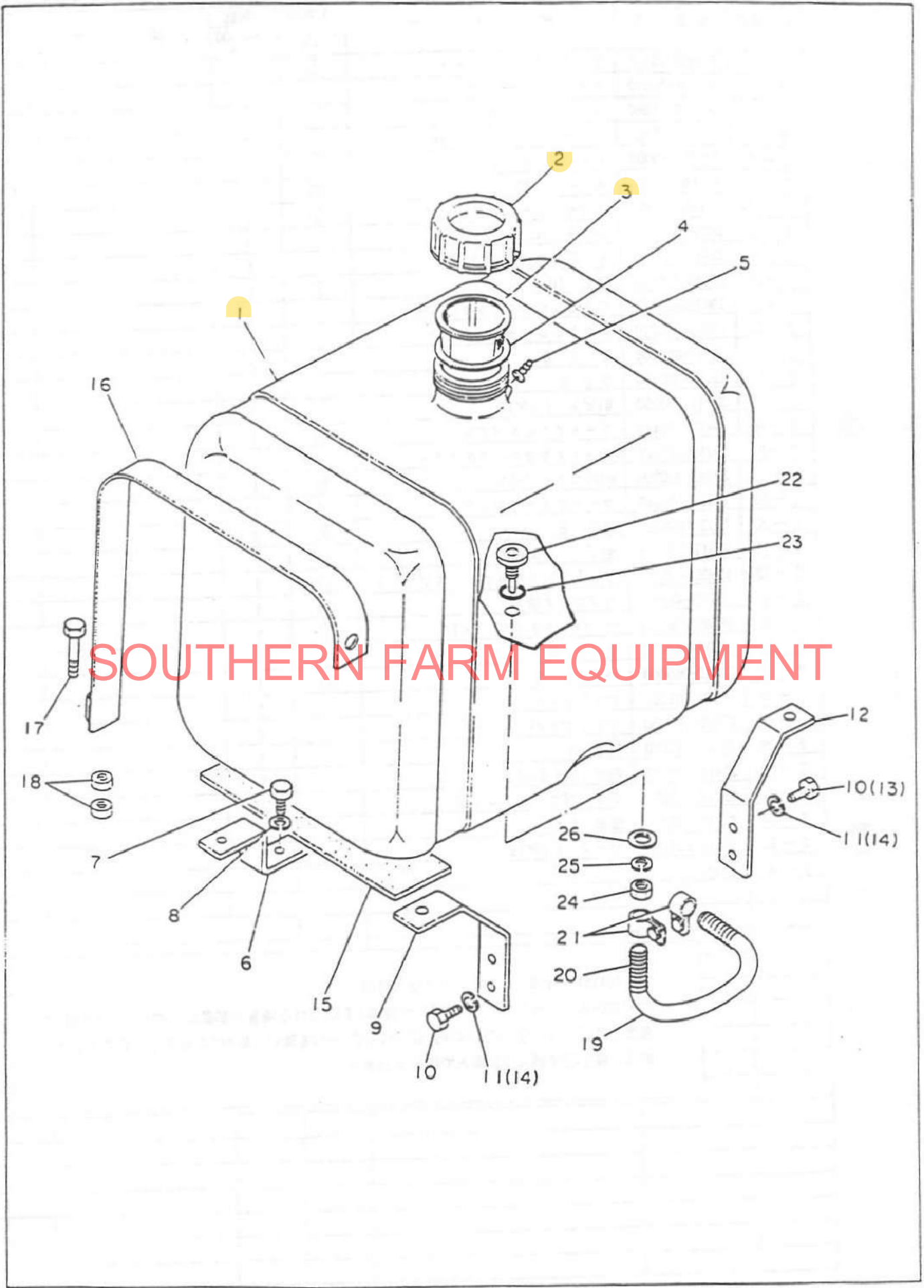
YM1700-A



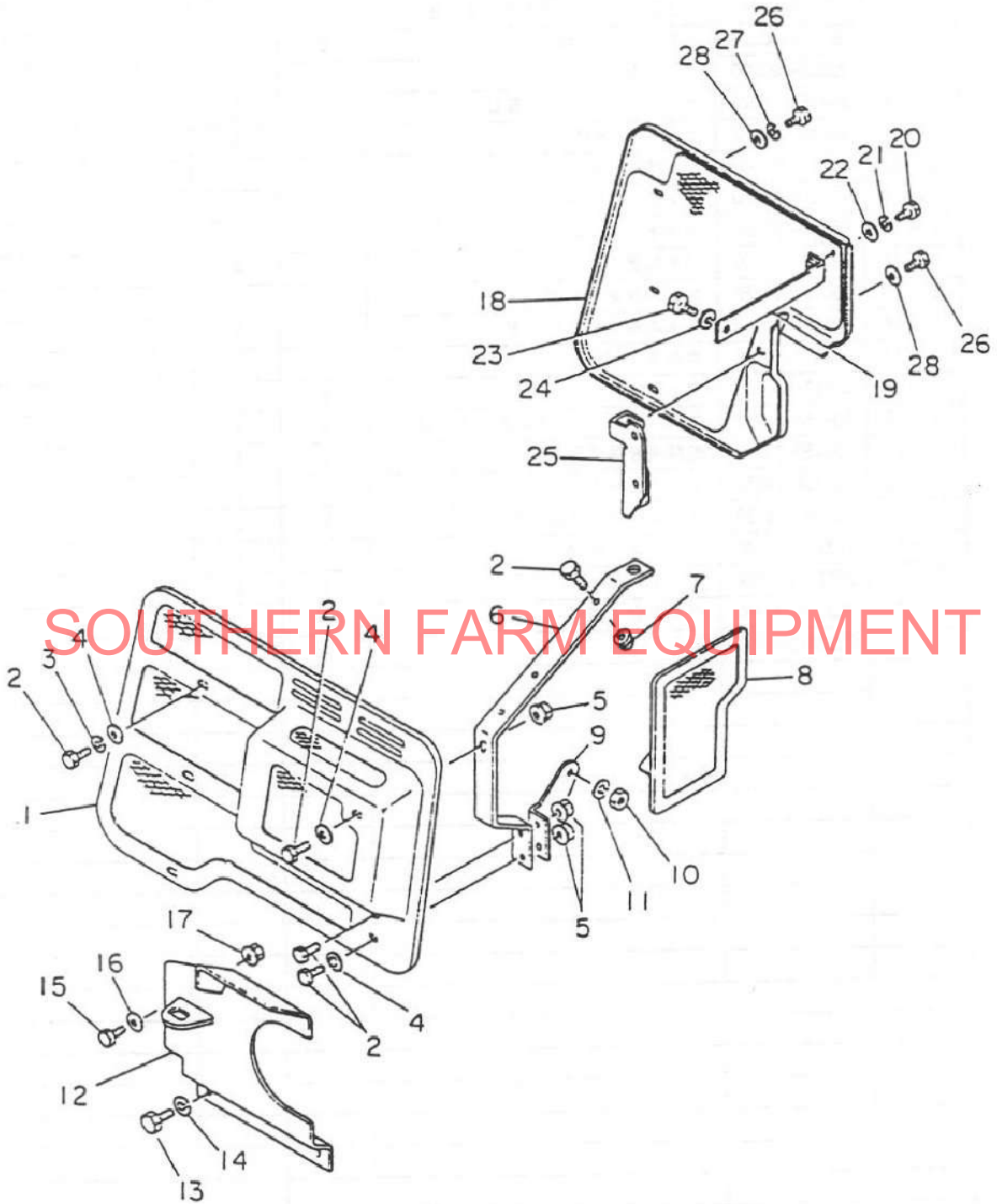
SOUTHERN FARM EQUIPMENT



3. Fuel Tank

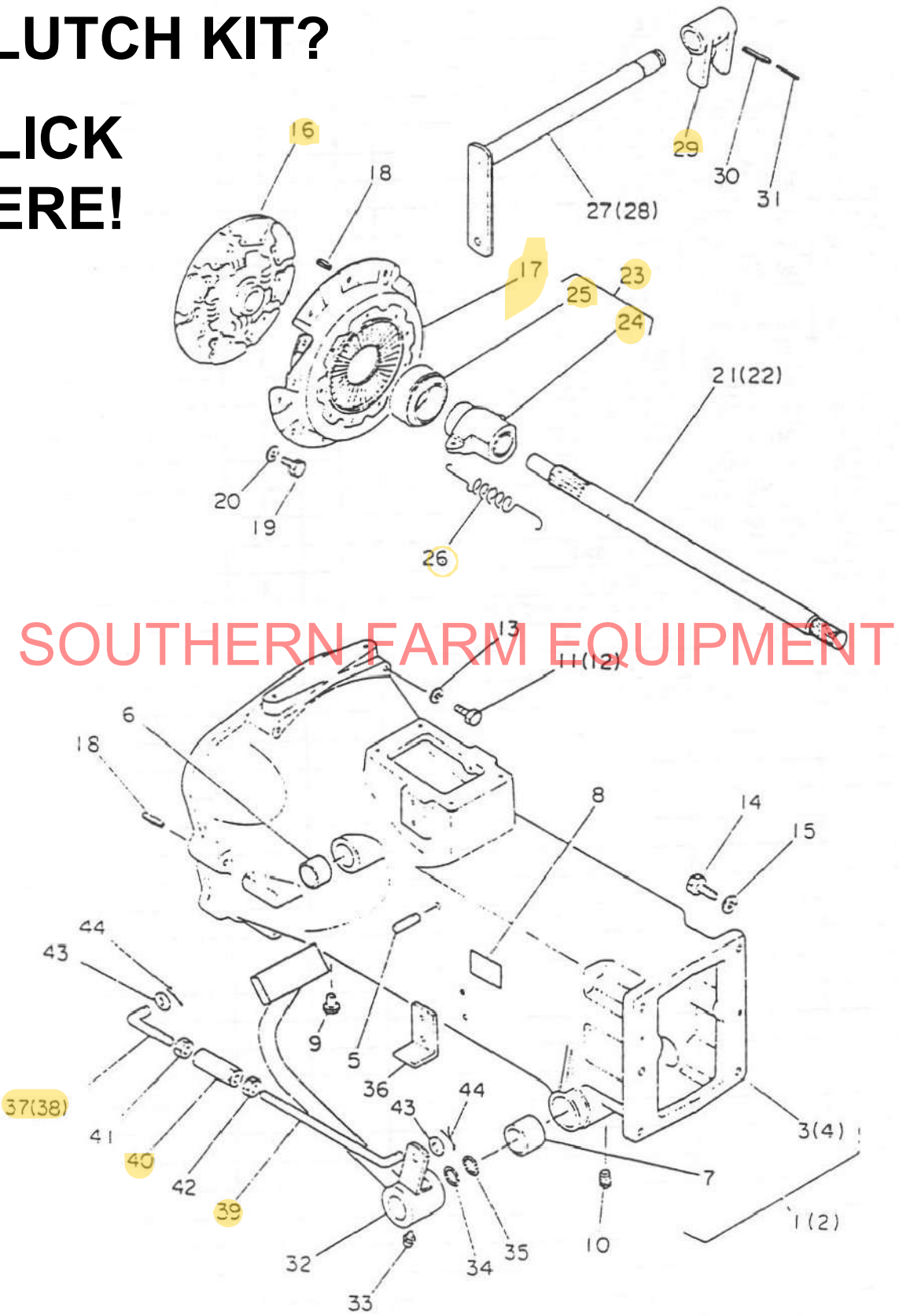


4. Engine Guards



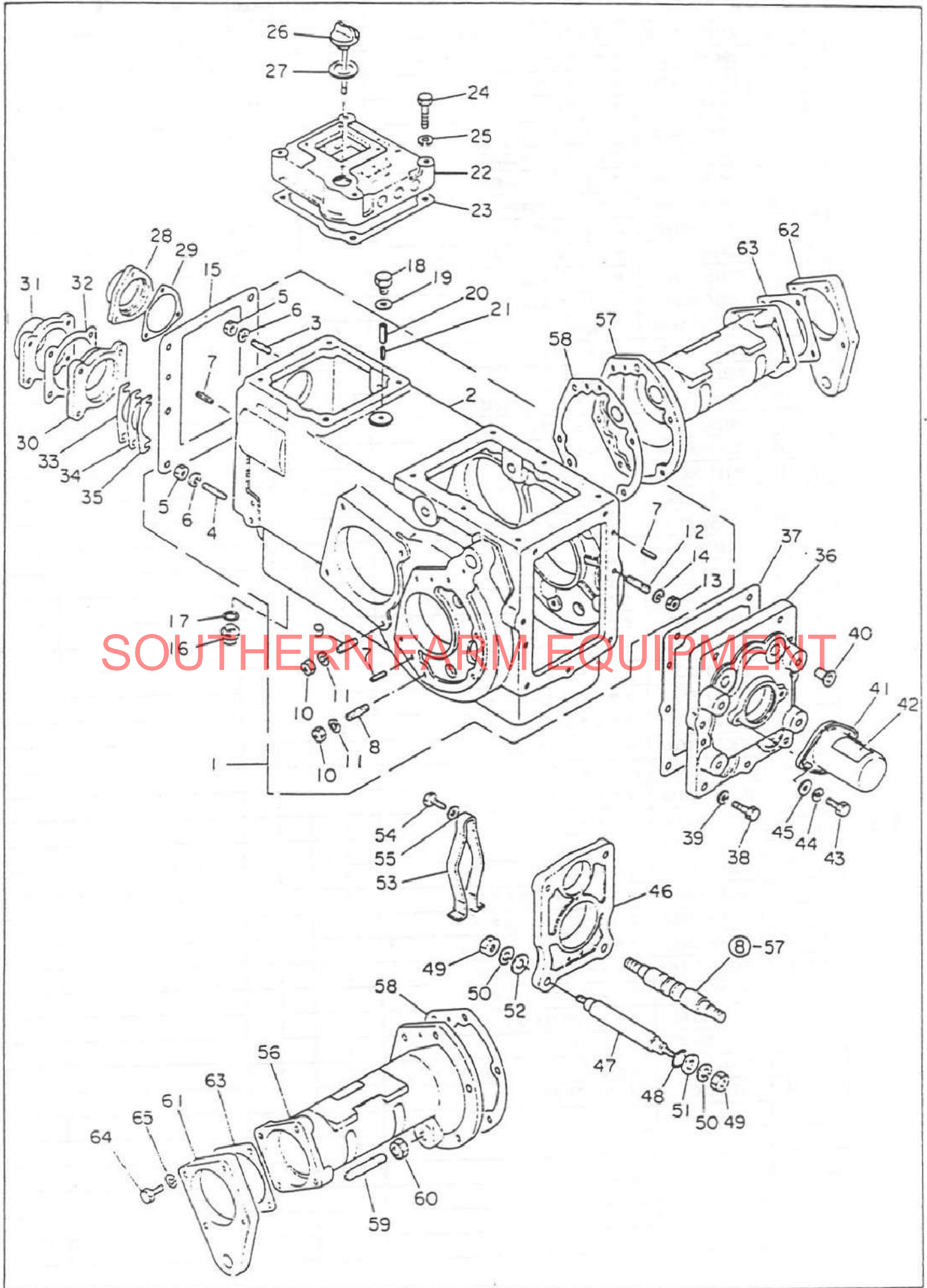
5. Clutch

**NEED THE
CLUTCH KIT?
CLICK
HERE!**



SOUTHERN FARM EQUIPMENT

6. Transmission & Rear Axle Housing



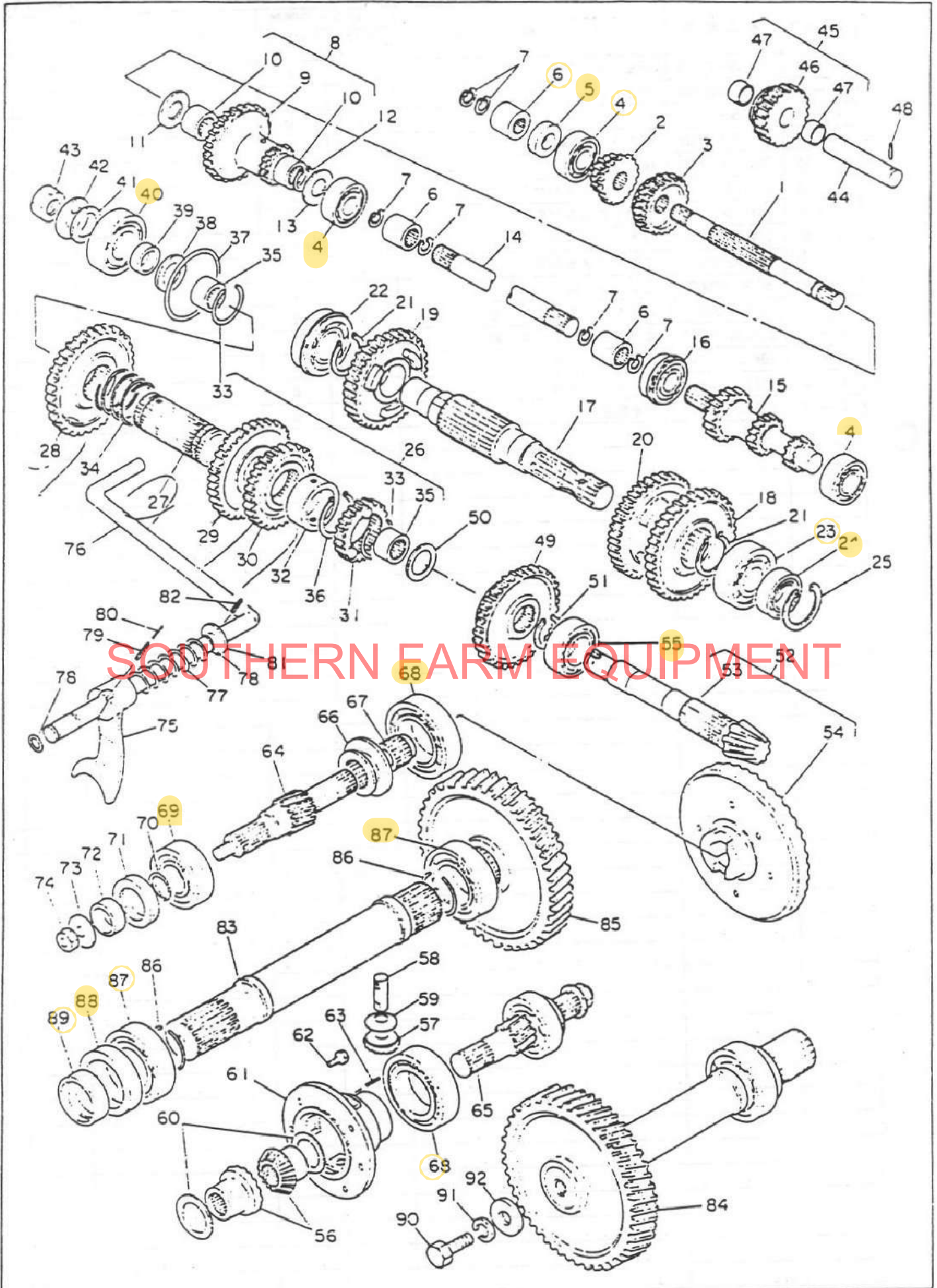
SOUTHERN FARM EQUIPMENT

6. Transmission and Rear Axle Housing

YM1700-A
YM2000A-A

Item	Part No.	Description	YM1700 -A	YM2000 A-A	Notes		
6-1	794150-24100	Housing Ass'y, transmission	1	1	2~14		
6-2	194150-24110	Housing, transmission	1	1			
6-3	26212-080202	Stud, M8 x 20	3	3			
6-4	26212-080322	Stud, M8 x 32	4	4			
6-5	26711-080002	Nut 8	7	7			
6-6	22212-080000	Spring Washer 8	7	7			
6-7	22351-100020	Spring Pin 10 x 20	8	8			
6-8	26212-100252	Stud M10 x 25	12	12			
6-9	26212-100302	Stud M10 x 30	4	4			
6-10	26711-100002	Nut 10	16	16			
6-11	22212-100000	Spring Washer 10	16	16			
6-12	26212-120322	Stud, M12 x 32	2	2			
6-13	26711-120002	Nut 12	2	2			
6-14	22212-120000	Spring Washer 12	2	2			
6-15	194150-24160	Packing, trans. housing	1	1			
6-16	1A1070-28690	Plug 14	1	1			
6-17	24311-000160	O-ring P16	1	1			
6-18	194150-24560	Plug 8	1	1			
6-19	23414-080000	Packing, copper 8	1	1			
6-20	22352-060014	Spring Pin 6 x 14	1	1			
6-21	194151-24750	Spring Pin 3.6 x 14	1	1			
6-22	197150-24210	Cover, trans. housing	1	1			
6-23	197150-24220	Packing, trans. housing cover	1	1			
6-24	26112-100552	Bolt, M10 x 55	4	4			
6-25	22212-100000	Spring Washer 10	4	4			
6-26	194150-24290	Cap with dipstick, 33 x 184	1	1			
6-27	101104-01760	Packing, cap	1	1			
6-28	194150-24310	Retainer, front oil seal	1	1			
6-29	194150-24320	Packing, front oil seal retainer	1	1			
6-30	194150-24340	Retainer, countershaft bearing	1	1			
6-31	194150-24350	Cover, countershaft	1	1			
6-32	194150-24360	Packing, countershaft cover	1	1			
6-33	194150-24510	Shim 0.3, countershaft	2	2			
6-34	194150-24520	Shim 0.2, countershaft	2	2			
6-35	194150-24530	Shim 0.5, countershaft	2	2			
6-36	194150-24431	Cover, transmission rear	1	1			
6-37	194150-24440	Packing, trans. rear cover	1	1			
6-38	26112-120352	Bolt, M12 x 35	5	5			
6-39	22212-120000	Spring Washer 12	5	5			
6-40	194150-24270	Cap 13	4	4			
6-41	194190-26860	Cover, PTO shaft	1	1			
6-42	194190-65710	Plate, PTO cover indication	1	1			
6-43	26116-080142	Bolt, M8 x 14	2	2			
6-44	22212-080000	Spring Washer 8	2	2			
6-45	22137-080000	Washer 8, plain	2	2	NLA		
6-46	194150-24451	Bracket, PTO	1	1			
6-47	194150-24461	Supporter, PTO	3	3			
6-48	24311-000160	O-ring P16	3	3			
6-49	26732-160002	Nut 16	8	8			
6-50	22212-160000	Spring Washer 16	8	8			

7. Transmission Housing (inner)



7. Transmission Housing (inner)

YM1700-A
YM2000A-A

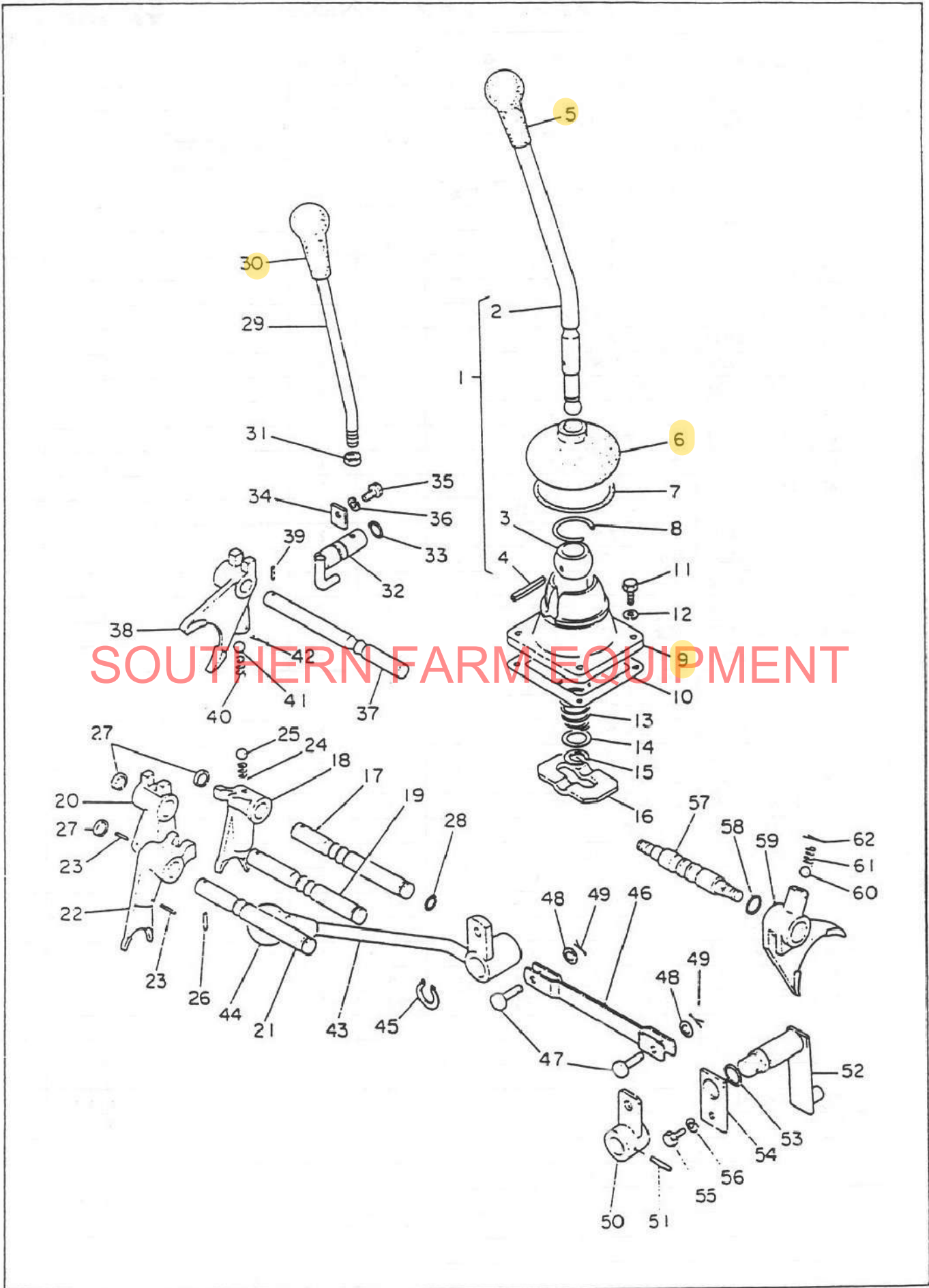
Item	Part No.	Description	YM1700-	YM2000	Notes
			A	A-A	
7-1	194150-25212	Shaft, main	1	1	
7-2	194150-25311	Gear, 1st & 2nd speed sliding	1	1	
7-3	194150-25361	Gear, 3rd & 5th speed sliding	1	1	
7-4	24101-063044	Ball Bearing 6304	3	3	
7-5	194150-27810	Oil Seal SC20 35 8	1	1	
7-6	194310-25100	Joint	3	3	old # 194190-26180
7-7	22252-000170	Circlip 17	6	6	
7-8	794150-25701	Gear Assembly, reduction	1	1	Includes 9~10
7-9	794150-25701	Gear, reduction	1	1	old # 194150-25713
7-10	194150-25730	Needle Bearing HK2020	2	2	
7-11	194150-25231	Thrust Washer 20 x 38 x 4	1	1	
7-12	22242-000200	Circlip 20	1	1	
7-13	194150-25260	Washer, thrust	1	1	
7-14	194150-25971	Shaft, Connecting	1	1	
7-15	194150-26211	Pinion, P.T.O.	1	1	
7-16	194150-27860	Ball Bearing 6304NR	1	1	
7-17	194150-26311	Shaft, P.T.O.	1	1	
7-18	194150-26232	Gear, P.T.O., sliding	1	1	
7-19	194150-26242	Gear, P.T.O., 1st	1	1	
7-20	194150-26262	Gear, P.T.O.	1	1	
7-21	22242-000360	Circlip 36	2	2	
7-22	24121-062074	Ball Bearing 6207NR	1	1	old # 194080-08110
7-23	24101-062074	Ball Bearing 6207	1	1	
7-24	24421-355511	Oil Seal TC35 55 11	1	1	
7-25	22252-000550	Circlip 55	1	1	
7-26	794150-25801	Gear Assembly, countershaft	1	1	Includes 27~36
7-27	194150-25810	Sleeve, countershaft	1	1	
7-28	194150-25820	Gear, countershaft 1st speed	1	1	
7-29	194150-25830	Gear, countershaft 2nd speed	1	1	
7-30	194150-25840	Gear, countershaft 3rd speed	1	1	
7-31	194150-25852	Gear, countershaft 5th speed	1	1	
7-32	194150-25860	Spacer, countershaft gear	1	1	
7-33	194150-25870	Circlip 40.5	2	2	
7-34	194150-25880	Spring, countershaft gear	1	1	
7-35	24162-253226	Needle Bearing HK2526	2	2	old # 194150-25890
7-36	22242-000450	Circlip 45	1	1	
7-37	24321-000	O-ring G80	1	1	old # 194150-27840
7-38	194150-25771	Washer 20 x 42 x 7	1	1	
7-39	194150-25760	Sleeve, bearing, 20 x 30 x 18.5	1	1	
7-40	24101-063604	Ball Bearing 6306	1	1	
7-41	194190-26340	Washer 20 x 38 x 4.5	1	1	
7-42	194080-25581	Washer 20	1	1	
7-43	194080-25590	Nut 20	1	1	
7-44	194150-25950	Shaft, reverse	1	1	
7-45	194150-25900	Gear Assembly, reverse	1	1	Includes 46~47
7-46	194150-25910	Gear, reverse	1	1	
7-47	194130-35922	Bush	2	2	

7. Transmission Housing (inner)

YM1700-A
YM2000A-A

Item	Part No.	Description	YM1700-	YM2000	Notes
			A	A-A	
7-48	22352-060014	Spring Pin 6 x 14	1	1	
7-49	194150-25514	Gear, range shift	1	1	
7-50	194150-25530	Thrust Washer 20 x 43 x 2.5	1	1	
7-51	22242-000300	Circlip 30	1	1	
7-52	794150-31401	Gear Assembly	1	1	Includes 53-54
7-53	194150-31411	Countershaft	1	1	
7-54	194150-31423	Gear, countershaft	1	1	
7-55	24512-052064	Ball Bearing 5206	1	1	Old # 194150-31460
7-56	194150-31511	Gear, differential side	2	2	
7-57	194740-10850	Pinion, differential	2	2	
7-58	194150-31821	Shaft, differential pinion	1	1	
7-59	194740-10870	Washer, differential pinion	2	2	
7-60	194110-31531	Washer, 34.5 x 51 x 0.8, thrust	2	2	
7-61	194150-32112	Housing, differential	1	1	
7-62	26112-100282	Bolt, M10 x 28	6	6	
7-63	22352-040028	Spring pin 4 x 28	1	1	
7-64	194150-33423	Pinion, (L), final reduction	1	1	
7-65	194150-33413	Pinion (R), final reduction	1	1	
7-66	194150-33121	Shifter, differential lock	1	1	
7-67	194150-33170	Sleeve, differential lock	1	1	
7-68	24101-060124	Ball Bearing 6012	2	2	
7-69	24104-063064	Ball Bearing 6306DD	2	2	
7-70	24341-000250	O-ring S25	2	2	old # 194740-50320
7-71	194151-39360	Oil Seal TC38 58 11	2	2	old # 194150-33460
7-72	194150-33450	Spacer 25 x 38 x 16	2	2	
7-73	194740-20251	Washer 13 x 36 x 4.5	2	2	
7-74	194990-21240	Nut 12	2	2	
7-75	194150-33111	Fork, differential lock shaft	1	1	
7-76	194150-33140	Pedal, differential lock	1	1	
7-77	194150-33150	Spring, pedal return	1	1	
7-78	24311-000160	O-ring P16	2	2	
7-79	22352-080040	Spring pin 8 x 40	1	1	
7-80	22352-050040	Spring pin 5 x 40	1	1	
7-81	22111-200000	Washer 20	1	1	
7-82	22352-080032	Spring pin 8 x 32	1	1	
7-83	194150-34122	Shaft, rear axle	2	2	
7-84	194150-33511	Gear (R), final reduction	1	1	
7-85	194150-33521	Gear (L), final reduction	1	1	
7-86	194150-34150	Circlip 44.5	4	4	
7-87	24101-062094	Ball bearing 6209	4	4	
7-88	24421-557509	Oil Seal TC55 75 9	2	2	old # 194150-34370
7-89	194150-34360	Spacer 45 x 55 x 16	2	2	
7-90	26156-160452	Bolt, M16 x 45	2	2	old # 194740-11510
7-91	22212-160000	Spring Washer 16	2	2	
7-92	194190-34160	Washer, shaft	2	2	Old # 194740-11550

8. Shift Levers

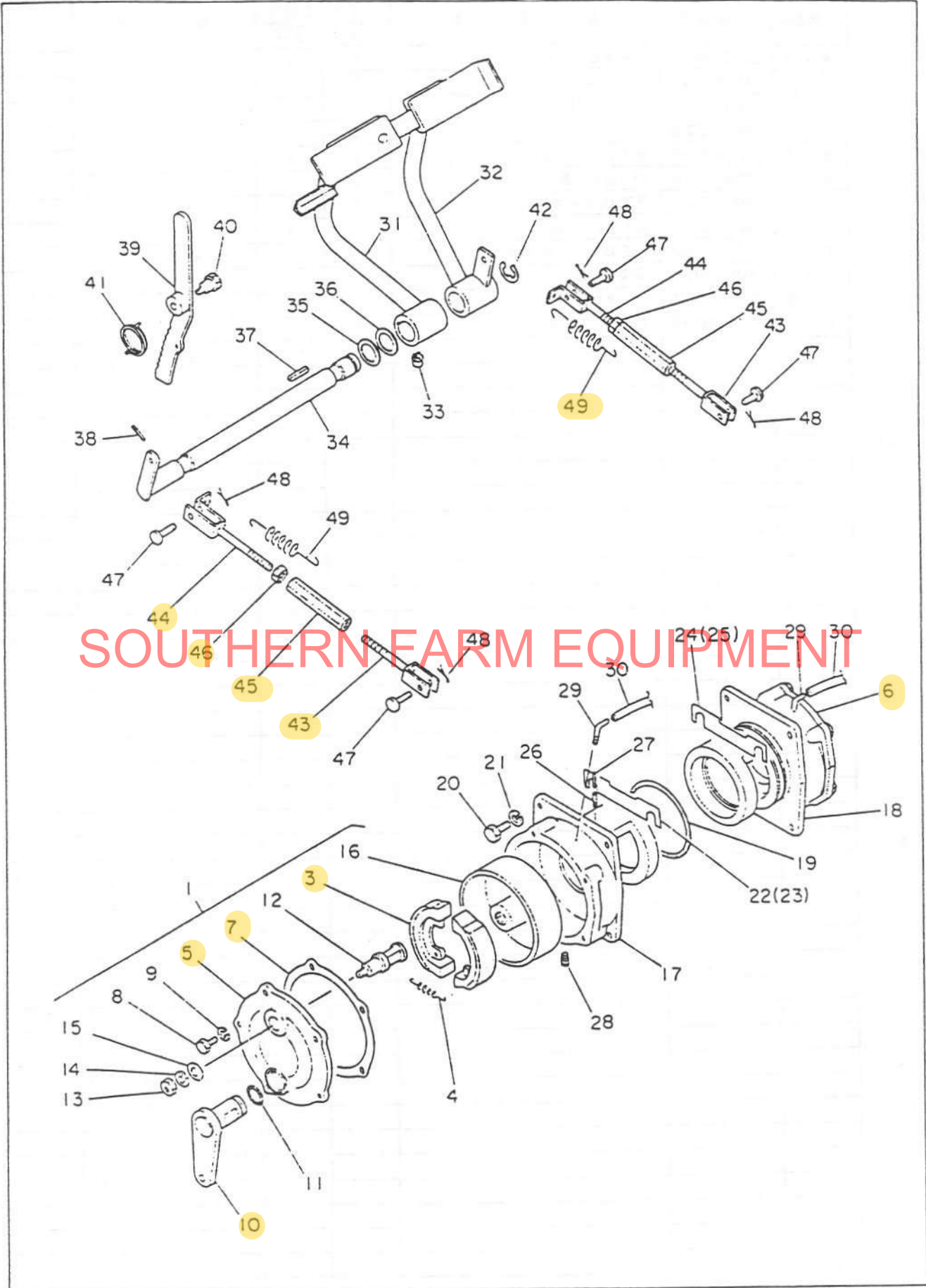


8. Shift Levers

YM1700-A
YM2000A-A

Item	Part No.	Description	YM1700 -A	YM2000 A-A	Notes		
8-1	794150-07100	Lever Ass'y, gear shift, comp.	1	1	Includes 2~4		
8-2	194150-27110	Lever, gear shift	1	1			
8-3	1E4030-27340	Ball, shifter	1	1			
8-4	22352-050040	Spring pin 5 x 40	1	1			
8-5	1A1020-58150	Knob, gear shift lever	1	1			
8-6	194080-27252	Boot, rubber	1	1			
8-7	194190-27280	O-ring	1	1			
8-8	1A1040-26320	Circlip 30	1	1			
8-9	194150-27210	Retainer, gear shift lever	1	1			
8-10	194150-27270	Packing, lever retainer	1	1			
8-11	26112-060162	Bolt, M6 x 16	4	4			
8-12	22212-060000	Spring washer 6	4	4			
8-13	194080-27172	Spring, gear shift lever	1	1			
8-14	194190-27190	Washer 12 x 21.5 x 2.3	1	1			
8-15	22242-000120	Circlip 12	1	1			
8-16	194150-27260	Guide, gear shift lever	1	1			
8-17	194150-27460	Shaft, 1 st & 2 nd speed shift	1	1			
8-18	194150-27310	Fork, 1 st & 2 nd speed shift	1	1			
8-19	194150-27470	Shaft, 3 rd & 5 th speed shift	1	1			
8-20	194150-27320	Fork, 3 rd & 5 th speed shift	1	1			
8-21	194150-27480	Shaft, reverse shift fork	1	1			
8-22	194150-27330	Fork, reverse shift	1	1			
8-23	22352-030020	Spring pin 3 x 20	2	2			
8-24	194080-27452	Spring, fork lock	3	3			
8-25	24190-100001	Ball 5/16	3	3			
8-26	22352-040012	Spring pin 4 x 12	3	3			
8-27	194130-27390	Cap 15 x 5, seal	3	3			
8-28	24311-000110	O-ring P11	3	3			
8-29	194150-27510	Lever, range shift	1	1			
8-30	194990-85561	Knob, range shift lever	1	1			
8-31	26711-12002	Nut M12	1	1			
8-32	194150-27530	Arm, range shift	1	1			
8-33	24311-00160	O-ring P16	1	1			
8-34	194150-27540	Retainer, shift lever	1	1			
8-35	26112-080162	Bolt, M8 x 16	1	1			
8-36	22212-080000	Spring Washer 8	1	1			
8-37	194150-27630	Shaft, range shift fork	1	1			
8-38	194150-27610	Fork, range shift	1	1			
8-39	22352-040018	Spring pin 4 x 18	1	1			
8-40	194080-27452	Spring, fork lock	1	1			
8-41	24190-100001	Ball 5/16	1	1			
8-42	22411-300280	Cotter pin 3 x 28	1	1			
8-43	194155-27710	Lever, P.T.O. shaft	1	1			
8-44	194990-85561	Knob, P.T.O shift lever	1	1			
8-45	22242-000200	Circlip 20	1	1			
8-46	194155-27720	Rod, P.T.O. shift	1	1			
8-47	194155-27790	Pin 10	2	2			
8-48	22131-100000	Washer 10, plain	2	2			
8-49	22411-250180	Cotter pin 2.5 x 18	2	2			
8-50	194150-27732	Arm, P.T.O. shift	1	1			

9. Brakes

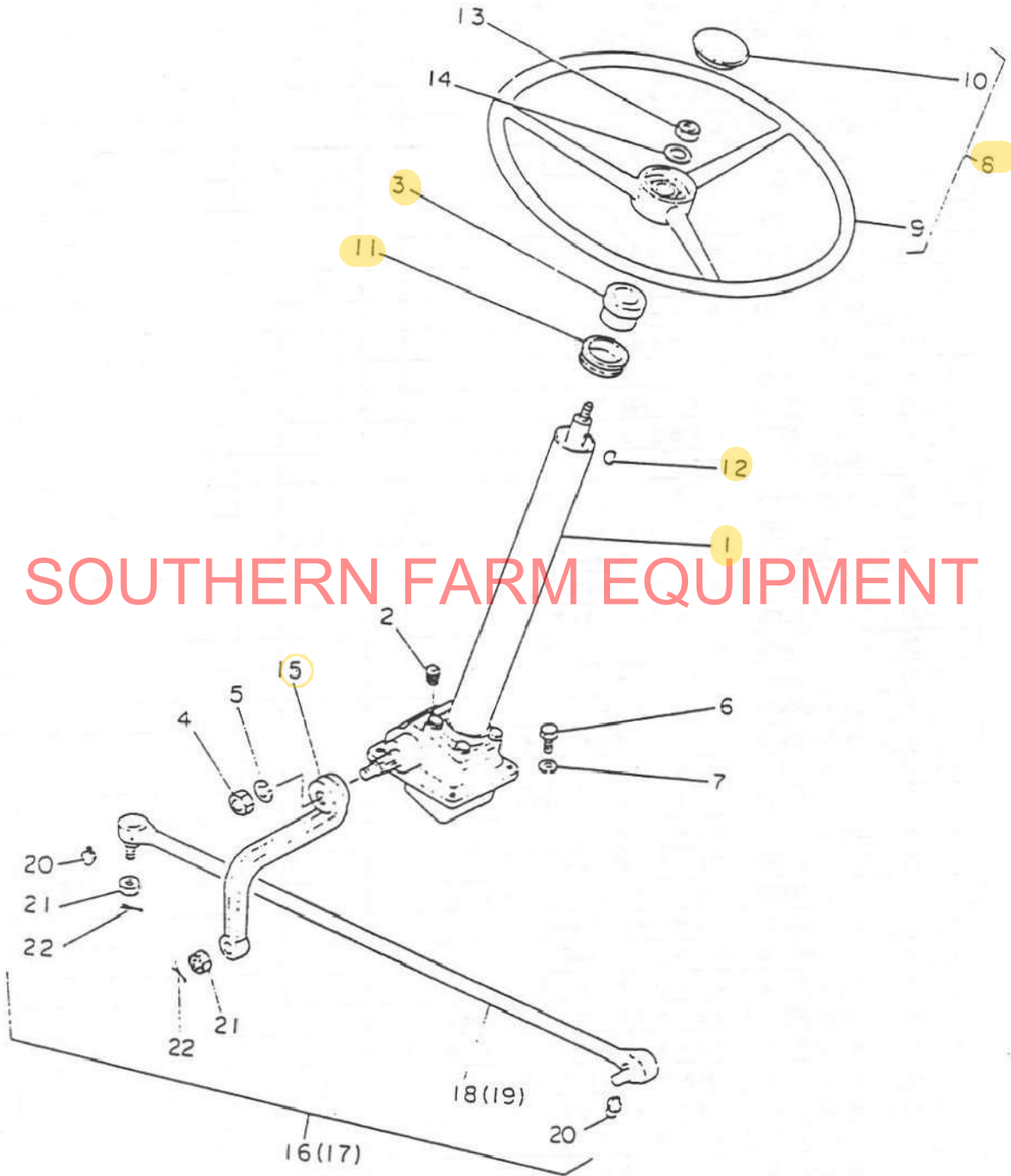


9. Brakes

YM1700A
YM2000A-A

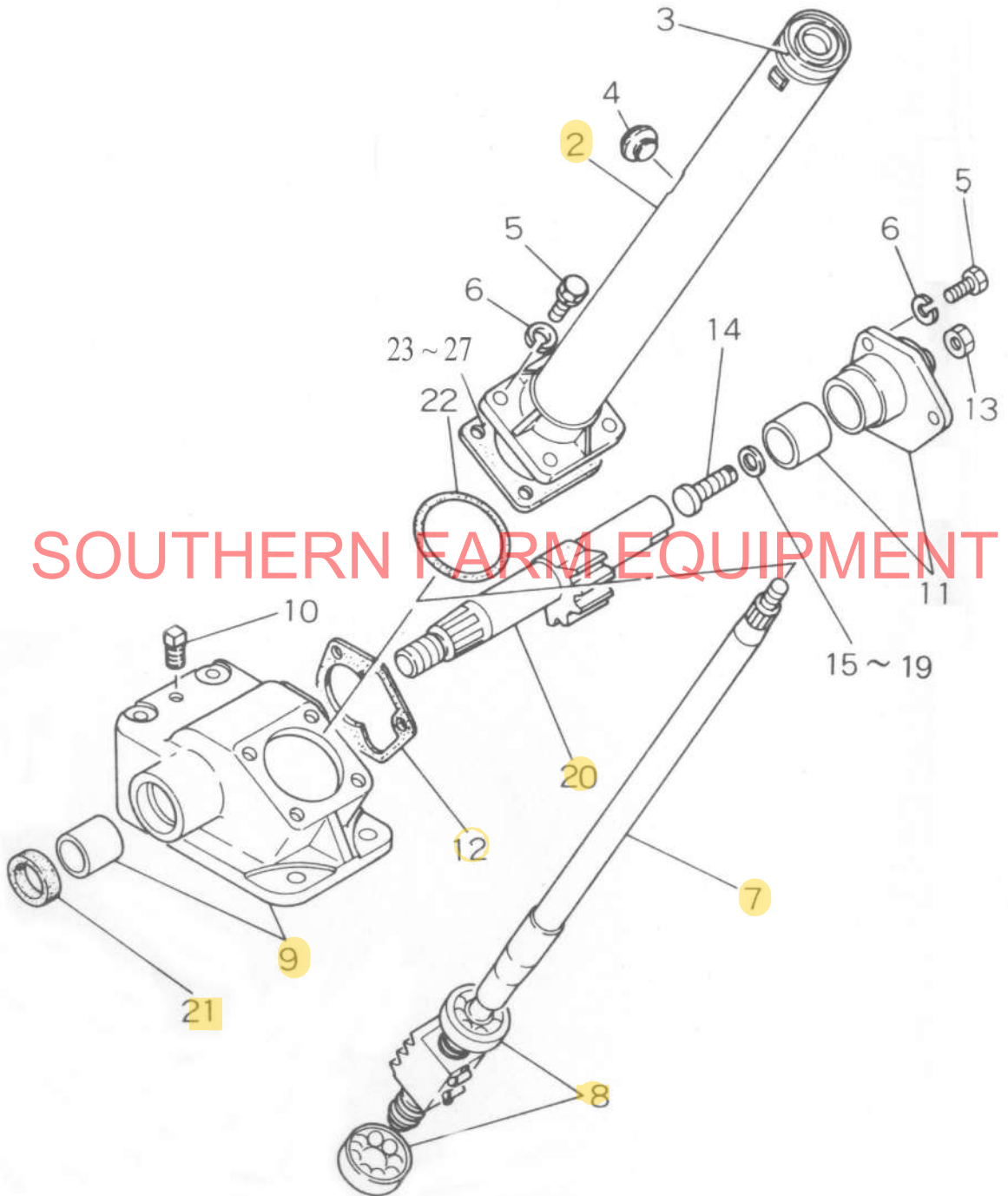
Item	Part No.	Description	YM1700 -A	YM2000 A-A	Notes		
9-1	794150-36302	Brake (L) Assembly	1	1	Includes 3~5&7~16		
9-2	794150-36402	Brake (R) Assembly	1	1	Includes 3~4&6~16		
9-3	194150-36511	Brake shoe	4	4			
9-4	194150-36550	Spring, brake shoe	4	4			
9-5	194150-36162	Cover (L) brake	1	1			
9-6	194150-36622	Cover (R), brake	1	1			
9-7	194150-36630	Packing, brake cover	2	2			
9-8	26112-080252	Bolt, M8 x 25	10	10			
9-9	22212-080000	Spring washer 8	10	10			
9-10	194150-36711	Camshaft, brake	2	2			
9-11	24311-000200	O-ring P20	2	2			
9-12	194150-36721	Anchor pin, brake	2	2			
9-13	26711-100002	Nut, M10	2	2			
9-14	22212-100000	Spring Washer 10	2	2			
9-15	194130-36730	Washer 10.5 x 26 x 3	2	2			
9-16	194150-36571	Drum, brake	2	2			
9-17	194150-32312	Carrier (L), differential	1	1			
9-18	194150-32322	Carrier (R), differential	1	1			
9-19	24321-001050	O-ring G105	2	2			
9-20	26112-100302	Bolt, M10 x 30	4	4			
9-21	22212-100000	Spring washer 10	4	4			
9-22	194150-32330	Shim (A), differential carrier 0.2	4	4			
9-23	194150-32340	Shim (B), differential carrier 0.3	4	4			
9-24	194150-32350	Shim (C), differential carrier 1.0	2	2			
9-25	194150-32360	Shim (D), differential carrier 0.1	2	2			
9-26	22352-060025	Spring pin 6 x 25	4	4			
9-27	194150-32370	Spring pin 3.5 x 22	4	4			
9-28	194151-36670	Plug PT 1/8	2	2			
9-29	194150-36651	Joint, air breather	2	2			
9-30	23064-060400	Pipe 6	2	2			
9-31	794150-37420	Pedal, inside	1	1			
9-32	794150-37471	Pedal, outside	1	1			
9-33	24761-010000	Grease Nipple A-M6F	1	1			
9-34	194150-37551	Shaft, brake pedal	1	1			
9-35	194130-37560	Washer, brake pedal shaft	1	1			
9-36	194150-37570	Washer (1.2), brake pedal shaft	1	1			
9-37	22512-070400	Key 7 x 7 x 40	1	1			
9-38	22351-060040	Spring pin 6 x 40	1	1			
9-39	194150-37660	Lever, brake pedal lock	1	1			
9-40	194110-37673	Pin, brake pedal lock lever	1	1			
9-41	194110-37691	Spring, brake pedal lock	1	1			
9-42	22272-000190	Snap Ring 19	1	1			
9-43	194130-37740	Rod (RH) Screw	2	2			
9-44	194151-37771	Rod (LH) Screw	2	2			
9-45	194151-37730	Turnbuckle 10 x 90	2	2			
9-46	26717-100002	Nut M10	2	2			
9-47	194080-37781	Pin 8 x 25	4	4			
9-48	22411-200200	Cotter Pin 2 x 20	4	4			
9-49	194150-37510	Spring, brake pedal	2	2			

10. Steering System



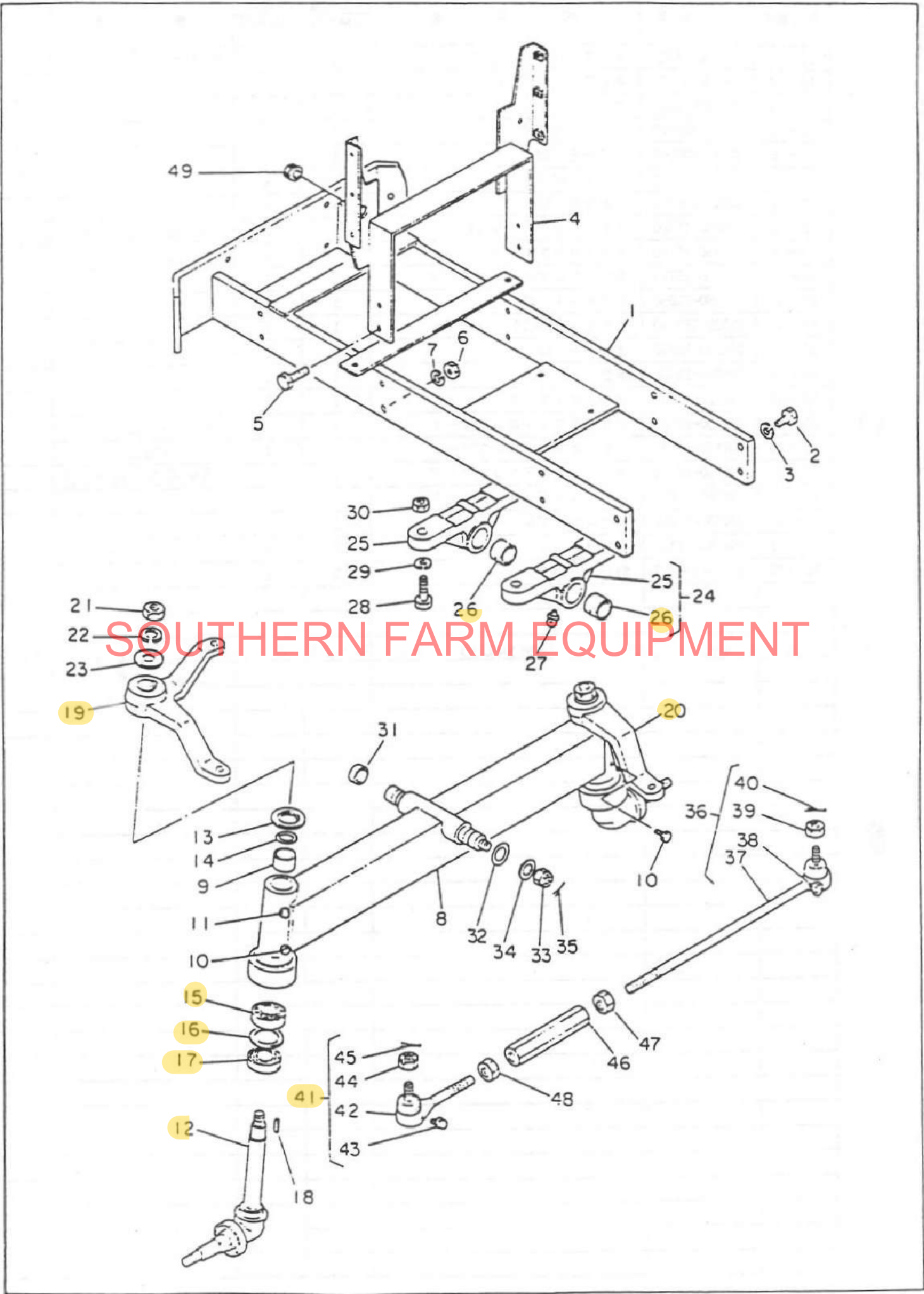
SOUTHERN FARM EQUIPMENT

10a. Steering Assembly



SOUTHERN FARM EQUIPMENT

11. Front Axle and Frame

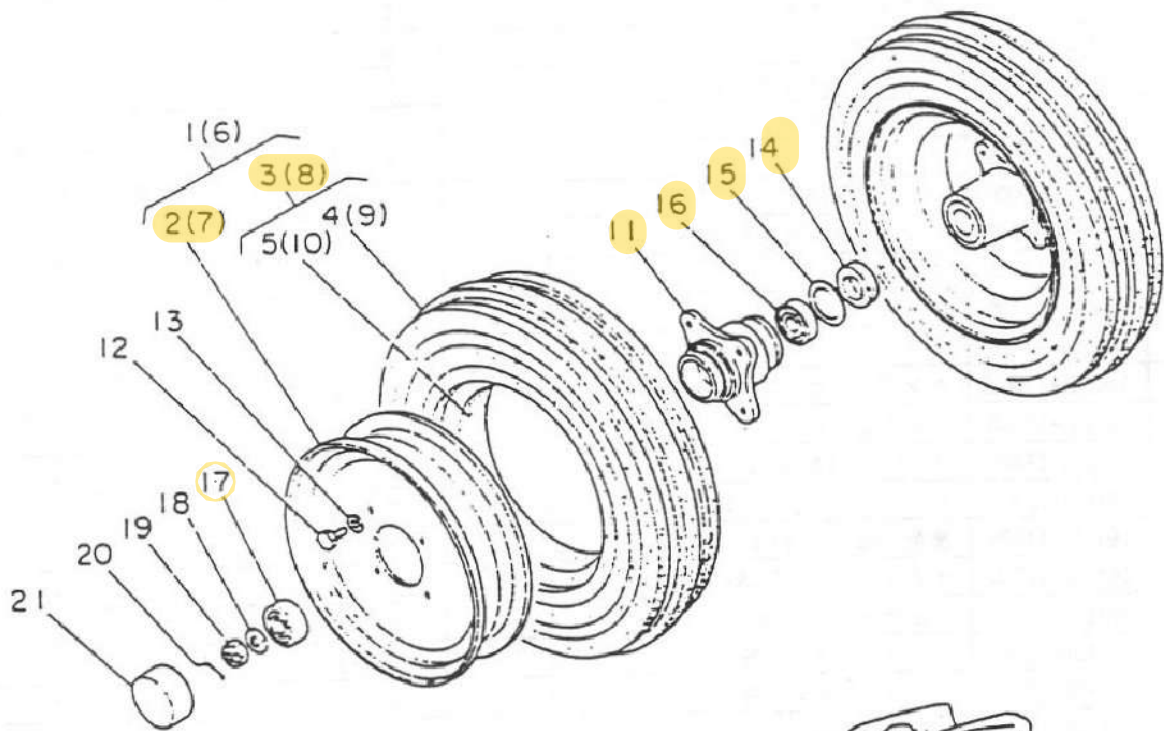


11. Front Axle

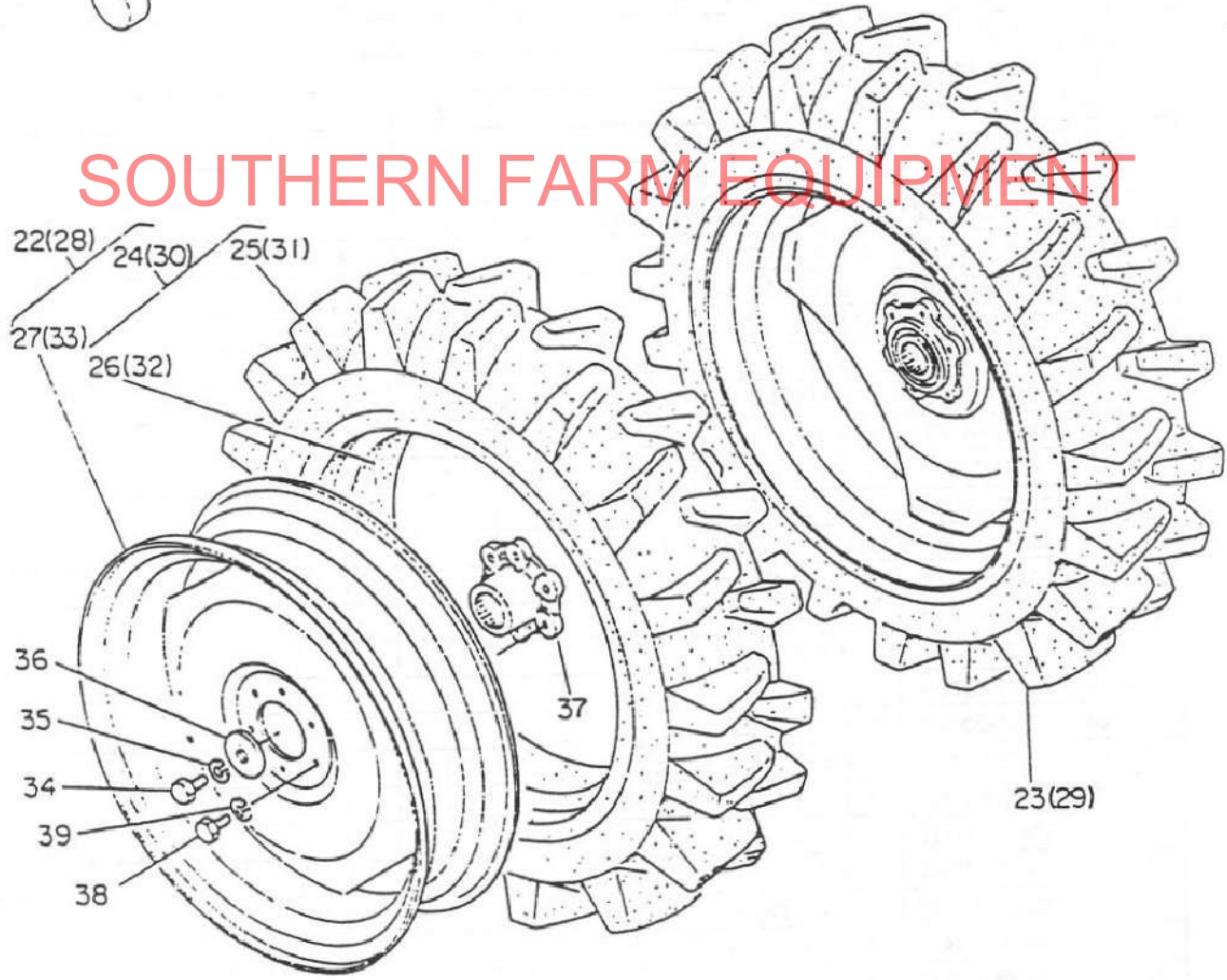
YM1700A
YM2000A-A

Item	Part No.	Description	YM1700 -A	YM2000 A-A	Notes		
11-1	194155-11101	Bracket, front axle	1	1			
11-2	26116-120302	Bolt, M12 x 30	8	8			
11-3	22212-120000	Spring Washer 12	8	8			
11-4	194155-11150	Bracket, radiator	1	1			
11-5	26116-120302	Bolt, M12 x 30	4	4			
11-6	26717-120002	Nut M12	4	4			
11-7	22212-120000	Spring Washer 12	4	4			
11-8	194151-11201	Axle, front	1	1			
11-9	194151-11360	Bush	2	2			
11-10	194151-11490	Bolt, M6 x 5	2	2			
11-11	194151-11480	Grease Nipple	2	2			
11-12	194151-11600	King Pin, complete	2	2			
11-13	194151-11840	Cover, king pin upper	2	2			
11-14	194151-11860	O-ring 1A-2025	2	2			
11-15	24101-052054	Ball Bearing 6205	2	2			
11-16	194151-11670	Washer 42 x 51.8 x 1	2	2			
11-17	194150-12720	Oil Seal TC35 52 11	2	2			
11-18	194151-11660	Key 7 x 26	2	2			
11-19	194151-12110	Arm (L), knuckle	1	1			
11-20	194151-12210	Arm (R), knuckle	1	1			
11-21	194151-11640	Nut 18	2	2			
11-22	22212-180000	Spring Washer 18	2	2			
11-23	194151-11650	Washer, plain	2	2			
11-24	194151-11500	Support, complete	2	2	Includes 25-26		
11-25	194151-11510	Support, center pin	2	2			
11-26	194150-11350	Bush 2F25 x 1.5 x 25	2	2			
11-27	24761-010000	Grease Nipple	2	2			
11-28	26116-120402	Bolt M12 x 40	4	4			
11-29	22212-120000	Spring Washer 12	4	4			
11-30	26717-120002	Nut M12	4	4			
11-31	27241-280000	Plug 28	1	1			
11-32	194150-11630	Shim, center pin	1	1			
11-33	26877-200002	Castle Nut, M20	1	1			
11-34	22137-200000	Washer 20, plain	1	1			
11-35	22417-450400	Cotter Pin 4.5 x 40	1	1			
11-36	794150-12301	Tie Rod Assembly	1	1	Includes 37-40		
11-37	194150-12310	Tie Rod	1	1			
11-38	194730-57411	Grease Nipple	1	1			
11-39	194730-57241	Castle Nut 11	1	1			
11-40	22411-300250	Cotter Pin 3 x 25	1	1			
11-41	794730-57112	Tie-Rod End Assembly (RR)	1	1	Includes 42-45		
11-42	194730-57151	Tie Rod End (RR)	1	1			
11-43	194730-57411	Grease Nipple	1	1			
11-44	194730-57241	Castle Nut 11	1	1			
11-45	22411-300250	Cotter Pin 3 x 25	1	1			
11-46	194150-12410	Turnbuckle 17	1	1			
11-47	194990-22830	Nut 17 (LH screw)	1	1			
11-48	194990-22840	Nut 17 (RH screw)	1	1			
11-49	194155-05250	Grommet 25	1	1			

12. Front and Rear Wheels



SOUTHERN FARM EQUIPMENT

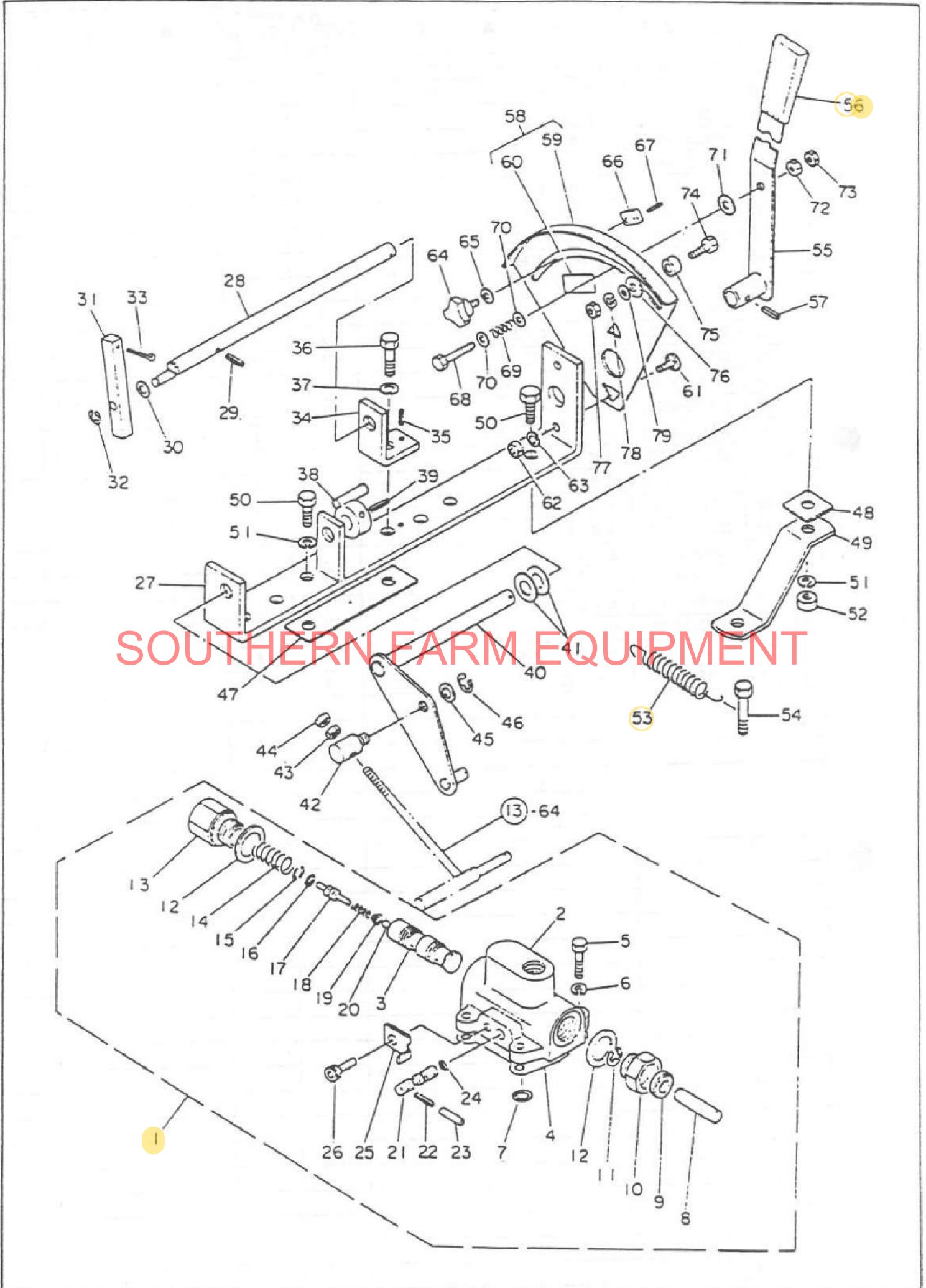


13. Hydraulic Lift

YM1700A
YM2000A-A

Item	Part No.	Description	YM1700 -A	YM2000 A-A	Notes		
13-1	794151-42001	Lift Assembly, hydraulic	1	1			
13-2	194151-42101	Housing Ass'y, hydraulic cyl.	1	1	Includes 3~4		
13-3	194151-42112	Housing, hydraulic cylinder	1	1			
13-4	194150-42130	Bush 50 x 55 x 40	2	2			
13-5	194151-42150	Packing, cylinder case	1	1			
13-6	26112-100322	Bolt, M10 x 32	5	5			
13-7	26112-100352	Bolt, M10 x 35	1	1			
13-8	22212-100000	Spring Washer 10	6	6			
13-9	194150-42280	Pipe, air breather	1	1			
13-10	194150-46720	Plug 10, hex head	2	2			
13-11	23414-100014	Packing 10, copper	2	2			
13-12	194151-43311	Piston	1	1			
13-13	194150-43350	Ring, back up, P55	1	1			
13-14	24311-000550	O-ring P55	1	1			
13-15	194151-43212	Head, cylinder	1	1			
13-16	24325-000600	O-ring G60	1	1			
13-17	26112-120352	Bolt, M12 x 35	4	4			
13-18	22212-120000	Spring Washer 12	4	4			
13-19	194130-46460	Plug 20	1	1			
13-20	24311-000050	O-ring P5	1	1			
13-21	194990-57160	O-ring S14	2	2			
13-22	194130-46750	Plug 18, hex head	1	1			
13-23	23414-180023	Packing 18, copper	1	1			
13-24	194151-46261	Valve Seat, relief	1	1			
13-25	24311-000120	O-ring P12	1	1			
13-26	194150-45340	Screw, valve seat	1	1			
13-27	24190-080003	Ball 1/4	1	1			
13-28	194150-53600	Retainer, relief valve	1	1			
13-29	194150-45320	Spring, relief valve	1	1			
13-30	194151-45391	Spring Shoe	1	1			
13-31	194130-45560	Space (B)	--	--			
13-32	110250-53400	Shim 0.1, valve spring adjusting	--	--			
13-33	110250-53410	Shim 0.2, valve spring adjusting	--	--			
13-34	110250-53420	Shim 0.3, valve spring adjusting	--	--			
13-35	110250-53430	Shim 0.5, valve spring adjusting	--	--			
13-36	194150-45370	Plug, relief valve	1	1			
13-37	23414-200002	Packing 20, copper	1	1			
13-38	194151-46610	Valve, stop	1	1			
13-39	24311-000090	O-ring P9	1	1			
13-40	194151-46630	Retainer, stop valve	1	1			
13-41	26112-080252	Bolt M8 x 25	2	2			
13-42	22212-080000	Spring Washer 8	2	2			
13-43	194151-46621	Bolt, stop valve	1	1			
13-44	22352-040012	Spring Pin 4 x 12	1	1			
13-45	194151-46640	Knob	1	1			
13-46	22352-040020	Spring Pin 4 x 20	1	1			
13-47	194151-43410	Rod, piston	1	1			
13-48	22352-050055	Spring Pin 5 x 55	1	1			
13-49	194151-44111	Crank, lift	1	1			
13-50	194150-44211	Shaft, lift	1	1			

14. Hydraulic Control



SOUTHERN FARM EQUIPMENT

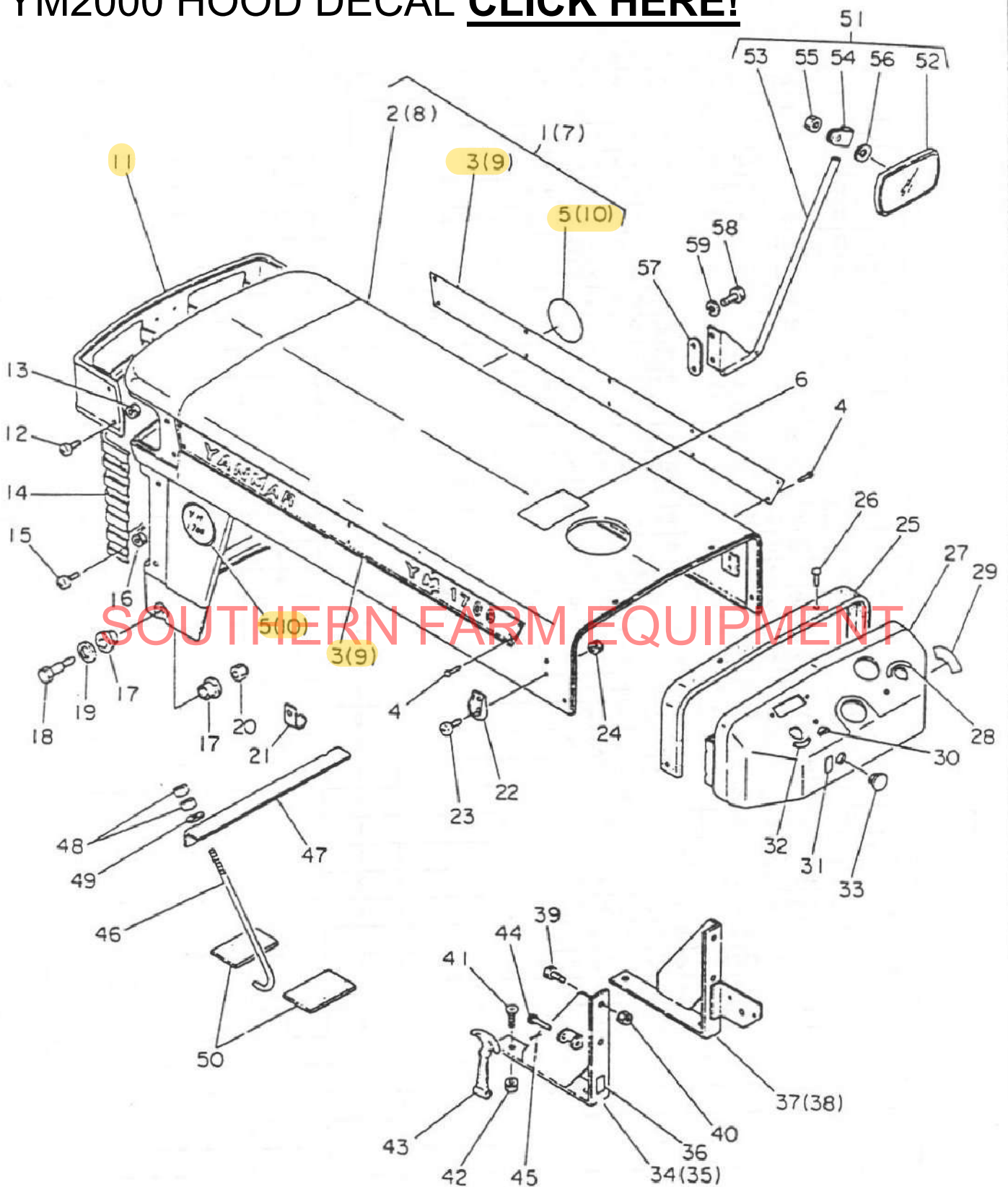
14. Hydraulic Control Valve

YM1700A
YM2000A-A

Item	Part No.	Description	YM1700 -A	YM2000 A-A	Notes		
14-1	794151-45101	Valve Assembly, control	1	1	Includes 2~25		
14-2	194151-45112	Body w/Spool, control valve	1	1	Includes 3		
14-3	194151-45512	Spool	1	1			
14-4	194151-45841	Packing, control valve	1	1			
14-5	26112-080252	Bolt, M8 x 25	4	4			
14-6	22212-080000	Spring Washer 8	4	4			
14-7	24315-000120	O-ring P12	1	1			
14-8	194151-45551	Push Rod	1	1			
14-9	194151-45810	Oil Seal TC10 20 7	1	1			
14-10	194151-45150	Holder, push rod	1	1			
14-11	22272-000070	Snap Ring 7	1	1			
14-12	23414-240031	Packing 24, copper	2	2			
14-13	194151-45160	Holder, spring	1	1			
14-14	194151-45881	Spring (B)	1	1			
14-15	194151-45821	Circlip	2	2			
14-16	24315-000090	O-ring P9	1	1			
14-17	194151-45432	Stopper, ball	1	1			
14-18	194151-45871	Spring (A)	1	1			
14-19	194151-45440	Ball Shoe	1	1			
14-20	24190-110003	Ball 11/32	1	1			
14-21	194151-45713	Valve, slow return	1	1			
14-22	22352-040040	Spring Pin 4 x 40	1	1			
14-23	23062-040030	Spring Pin 4 x 30	1	1			
14-24	24315-000070	O-ring P7	1	1			
14-25	194151-45721	Retainer, slow return	1	1			
14-26	26450-080142	Bolt 8 x 14	1	1			
14-27	194151-47111	Bracket, control	1	1			
14-28	194151-47120	Shaft, control lever	1	1			
14-29	22352-040018	Spring Pin 4 x 18	1	1			
14-30	22137-080000	Washer 8, plain	1	1	NLA		
14-31	194151-47540	Lever (A), feedback	1	1			
14-32	22272-000060	Circlip 6, E-shape	1	1			
14-33	22411-400300	Cotter Pin 4 x 30	1	1			
14-34	194151-47140	Hinge, shaft	1	1			
14-35	22352-040010	Spring Pin 4 x 10	1	1			
14-36	26116-080282	Bolt, M8 x 28	1	1			
14-37	22212-080000	Spring Washer 8	1	1			
14-38	194151-47550	Lever (B), feedback	1	1			
14-39	22352-040025	Spring Pin 4 x 25	1	1			
14-40	194151-47532	Shaft, feedback	1	1			
14-41	22121-120000	Washer 12, plain	2	2			
14-42	194151-47521	Retainer	1	1			
14-43	26717-080002	Nut M8	1	1	NLA		
14-44	26757-080002	Nut M8	1	1			
14-45	22137-080000	Washer 8, plain	1	1	NLA		
14-46	22272-060000	Circlip 6, E-shape	1	1			
14-47	194151-47170	Spacer (A)	1	1			
14-48	194151-47180	Spacer (B)	1	1			
14-49	194151-47160	Bracket	1	1			
14-50	26116-080222	Bolt M8 x 22	2	2			

YM1700 HOOD DECAL [CLICK HERE!](#)

YM2000 HOOD DECAL [CLICK HERE!](#)



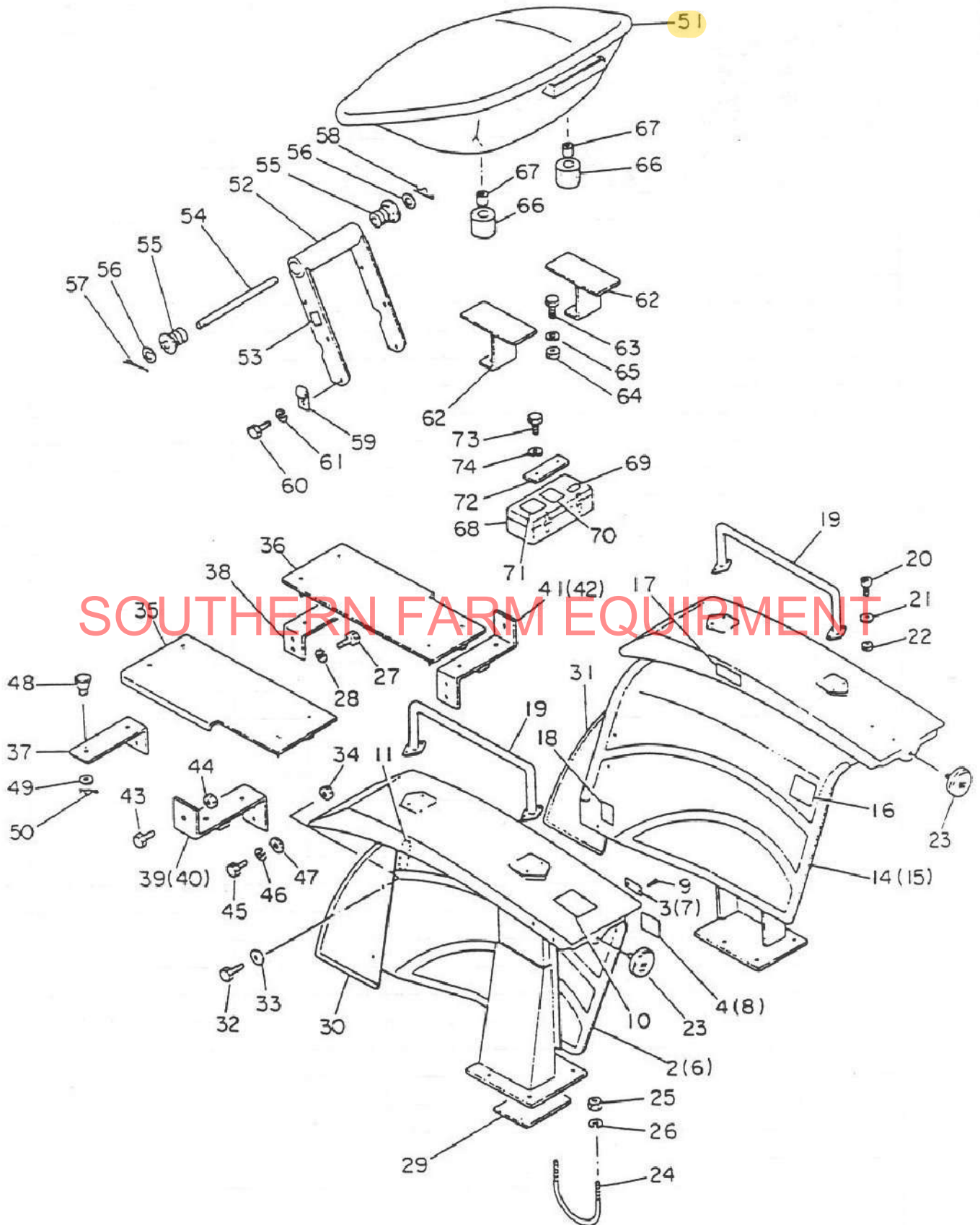
LET US KNOW THE FULL MODEL
NUMBER FOR CORRECT DECALS

16. Hood

YM1700A
YM2000A-A

Item	Part No.	Description	YM1700 -A	YM2000 A-A	Notes		
16-1	794155-6100	Hood Assembly	1		Includes 2~6		
16-2	194155-61101	Hood	1				
16-3	194155-64750	Model Plate	2				
16-4	194080-64780	Rivet, No. 329	20	20			
16-5	194155-64720	Label, model	2				
16-6	194145-65670	Label, fuel indication	1	1			
16-7	79165-61000	Hood Assembly		1			
16-8	194165-61101	Hood		1			
16-9	194165-64750	Model Plate		2			
16-10	194165-64720	Label, model		2			
16-11	194130-61162	Panel, hood front	1	1			
16-12	26557-050122	Screw M5 x 12	6	6			
16-13	194990-22120	Nut M5	6	6			
16-14	194080-61211	Grill, front	1	1			
16-15	26557-050122	Screw M5 x 12	6	6			
16-16	194990-22120	Nut M5	6	6			
16-17	194155-61250	Bush, hood hinge	4	4			
16-18	194155-61240	Bolt, hood hinge	2	2			
16-19	22137-140000	Washer 14, plain	2	2			
16-20	26347-120002	U-Nut M12	2	2			
16-21	194150-51610	Clamp (A), wiring harness	1	1			
16-22	194080-61820	Catch, hood lock	2	2			
16-23	26587-050122	5screw M x 12	4	4			
16-24	194990-22030	Nut M5	4	4			
16-25	194130-61550	Packing, hood	1	1			
16-26	194130-61560	Rivet 5 x 8	4	4			
16-27	194155-61510	Panel Box	1	1			
16-28	194740-79062	Label, key switch	1	1			
16-29	194130-65430	Label, throttle	1	1			
16-30	194130-65380	Label, horn	1	1			
16-31	194150-65691	Label, thermostart	1	1	Optional location		
16-32	194150-65360	Label, turn direction indication	1	1			
16-33	194130-61570	Cap 27, rubber	1	1			
16-34	194155-61530	Bracket (L), panel box	1				
16-35	194165-61530	Bracket (L), panel box		1			
16-36	194151-65450	Label, decompression indication	1	1			
16-37	194155-61540	Bracket (R), panel box	1				
16-38	194165-61540	Bracket (R), panel box		1			
16-39	26117-080202	Bolt M8 x 20	4	4			
16-40	194990-22140	Nut, M8	4	4			
16-41	26577-080252	Screw, M8 x 25	4	4			
16-42	194990-22050	Nut M8	4	4			
16-43	194080-61810	Lock, hood	2	2			
16-44	194080-61840	Pin, hood lock	2	2			
16-45	22411-200120	Cotter Pin 2 x 12	2	2			
16-46	194190-61740	Rod, battery clamp	2	2			
16-47	194190-61750	Clamp, battery	1	1			
16-48	26717-080002	Nut, M8	4	4			
16-49	22137-080000	Washer 8, plain	2	2	NLA		
16-50	194190-61760	Cushion Rubber	4	4			

17. Fenders, Steps, Seat & Toolbox



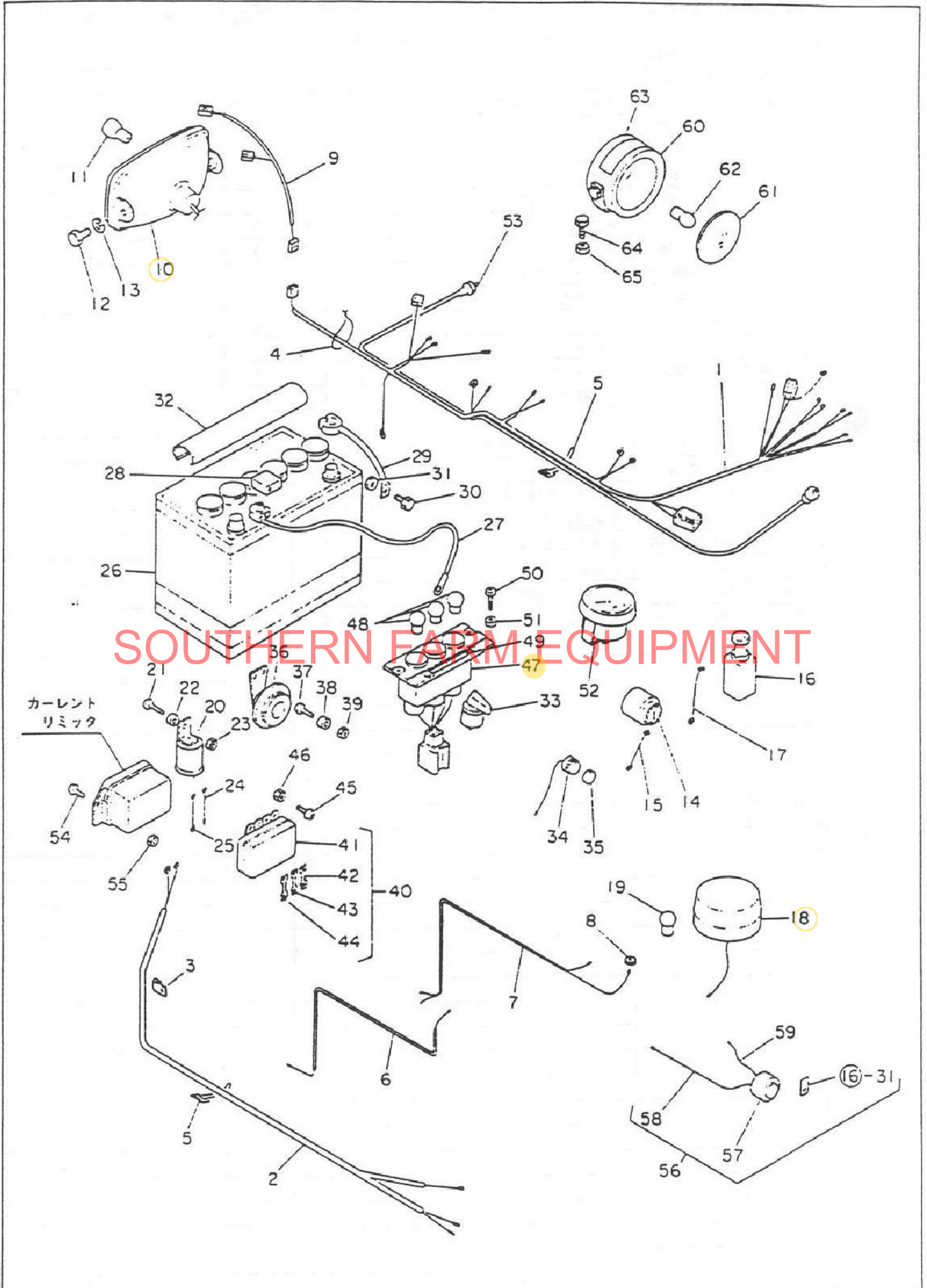
SOUTHERN FARM EQUIPMENT

17. Fenders, Steps, Seat, & Toolbox

YM1700A
YM2000A-A

Item	Part No.	Description	YM1700 -A	YM2000 A-A	Notes		
17-1	794151-62030	Fender Assembly (L)	1		Inc. 2~4 & 9~11		
17-2	194150-62110	Fender (L)	1				
17-3	191151-65530	Label, tractor model	1				
17-4	194155-65540	Label	1				
17-5	794161-62030	Fender Assembly (L)		1	Includes 6~11		
17-6	194160-62110	Fender (L)		1			
17-7	194162-65530	Label, tractor model		1			
17-8	194165-65540	Label		1			
17-9	194080-64780	Rivet No. 329	2	2			
17-10	194150-65660	Label, handling instruction	1	1			
17-11	194150-65610	Label, P.T.O shift indicating	1	1			
17-12	794150-62040	Fender Assembly (R)	1		Inc. 14 & 16~18		
17-13	794160-62040	Fender Assembly (R)		1	Inc. 15 & 16~18		
17-14	194150-62120	Fender (R)	1				
17-15	194160-62120	Fender (R)		1			
17-16	194151-65671	Label	1	1			
17-17	194740-73450	Label, hydraulic indication	1	1			
17-18	194130-65440	Label, differential lock	1	1			
17-19	194740-70270	Bar, assist	2	2			
17-20	26587-060202	Screw 6 x 20	8	8			
17-21	22137-060000	Washer 6, plain	8	8	NLA		
17-22	194990-22130	Nut M6	8	8			
17-23	194740-76200	Reflector	2	2			
17-24	194150-62210	U-bolt M10	4	4			
17-25	26717-100002	Nut M10	8	8			
17-26	22212-100000	Spring Washer 10	8	8			
17-27	26116-100302	Bolt M10 x 30	4	4			
17-28	22212-100000	Spring Washer 10	4	4			
17-29	194150-62160	Packing, fender	2	2			
17-30	194151-62130	Sub Fender (L)	1	1			
17-31	194151-62140	Sub Fender (R)	1	1			
17-32	26117-060122	Bolt M6 x 12	4	4			
17-33	22137-060000	Washer 6, plain	4	4	NLA		
17-34	194990-22130	Nut M6	4	4			
17-35	194150-62512	Step (L)	1	1			
17-36	194150-62500	Step (R)	1	1			
17-37	194150-62532	Bracket (FL), step	1	1			
17-38	194150-62571	Bracket (FR), step	1	1			
17-39	194151-62540	Bracket (FL), step	1				
17-40	194162-62540	Bracket (FL), step		1			
17-41	194151-62550	Bracket (FR), step	1				
17-42	194162-62550	Bracket (FR), step		1			
17-43	26116-080202	Bolt M8 x 20	2	2			
17-44	194990-22140	Nut M8	2	2			
17-45	26116-100202	Bolt M10 x 20	4	4			
17-46	22212-100000	Spring Washer 10	4	4			
17-47	22137-100000	Washer 10, plain	2	2	NLA		
17-48	194150-62560	Cushion Rubber, step	8	8			
17-49	22137-060000	Washer 6, plain	8	8	NLA		
17-50	22360-060000	Snap Pin 6	8	8			

18. Electrical System



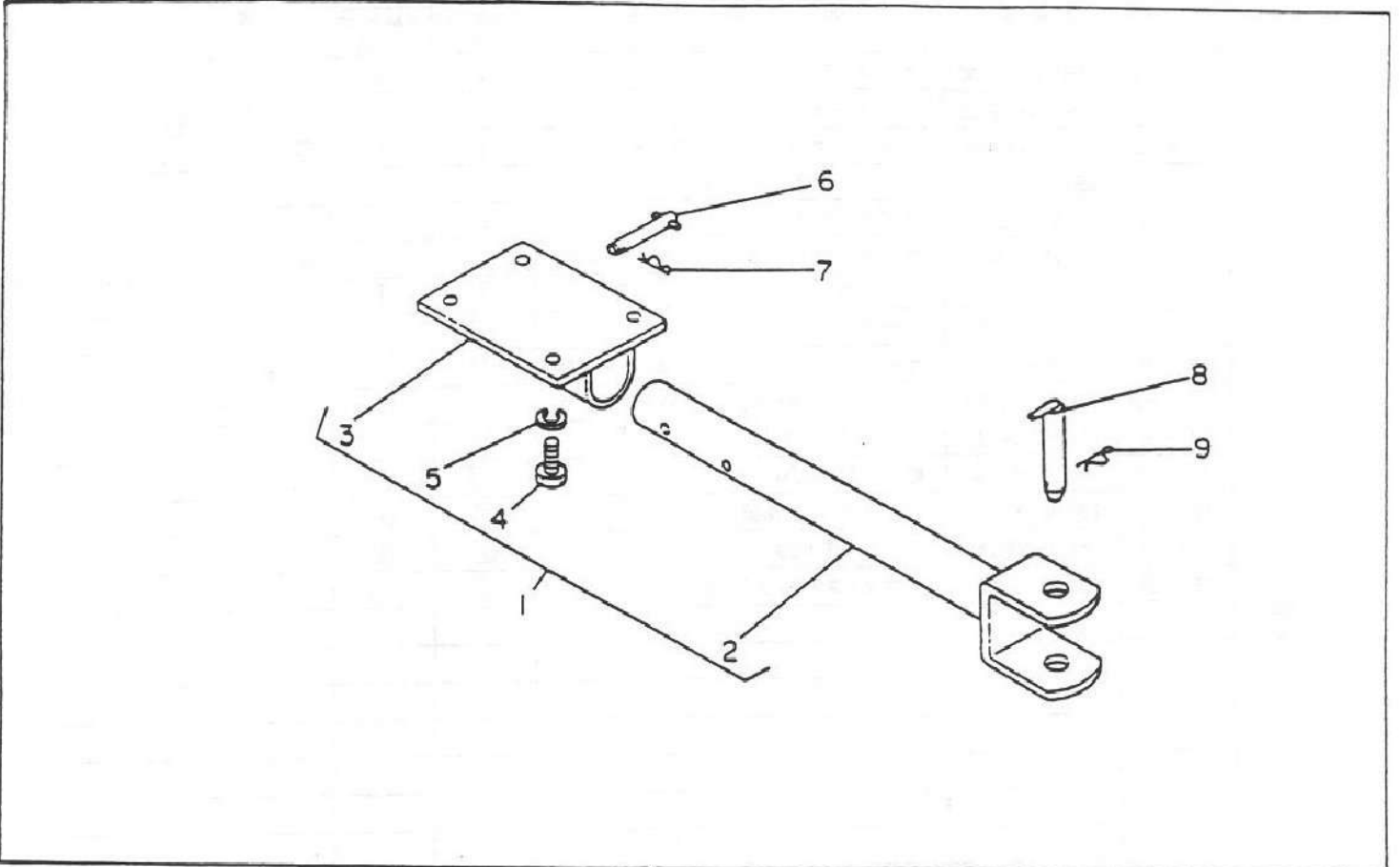
18. Electrical System

YM1700A
YM2000A-A

Item	Part No.	Description	YM1700 -A	YM2000 A-A	Notes		
18-1	194155-51110	Wire Harness (A)	1	1			
18-2	194150-51120	Wire Harness (B)	1	1			
18-3	194150-51610	Clamp (A), wire harness	1	1			
18-4	194150-51620	Clamp (B), wire harness	5	5			
18-5	1A1040-57701	Clamp, wire binding	5	5			
18-6	194150-51130	Wire Harness (C)	1	1			
18-7	194150-51140	Wire Harness (D)	1	1			
18-8	194080-58810	Grommet 8	1	1			
18-9	194155-51151	Wire Harness (E)	1	1			
18-10	194155-53100	Headlight	2	2			
18-11	194155-55810	Bulb A12V 35/25W	2	2			
18-12	26117-100182	Bolt M10 x 18	4	4			
18-13	22217-100000	Spring Washer 10	4	4			
18-14	194750-52050	Switch with Key, main	1	1	194322-52110		
18-15	194151-51210	Lead Wire, main	1	1			
18-16	194130-52121	Switch, light	1	1			
18-17	194151-51120	Lead Wire, light switch	1	1			
18-18	794150-53400	Turn Signal Light Assembly	2	2			
18-19	194080-55820	Bulb 12V 20W	2	2	194450-54510		
18-20	194080-57202	Relay, turn signal	1	1			
18-21	26557-050162	Screw M5 x 16	1	1			
18-22	194151-57210	Spacer	1	1			
18-23	26347-050002	Nut M5	1	1			
18-24	194151-51240	Lead Wire, turn signal relay	1	1			
18-25	194080-51251	Lead Wire, turn signal switch	1	1			
18-26	194080-51500	Battery N79Z	1	1			
18-27	194155-51410	Cable, battery	1	1			
18-28	194080-51430	Rubber, battery terminal prot.	1	1			
18-29	194190-51420	Cable, battery earth	1	1			
18-30	26117-080162	Bolt M8 x 16	1	1			
18-31	194990-22140	Spring Washer 8	1	1			
18-32	194151-51550	Cover, battery fluid inlet	1	1			
18-33	194080-52132	Switch, turn signal	1	1			
18-34	194150-52160	Button, horn	1	1			
18-35	194150-52170	Cap, horn button	1	1			
18-36	194151-57100	Horn	1	1			
18-37	26587-060302	Bolt M6 x 30	2	2			
18-38	194151-57110	Spacer, horn	2	2			
18-39	194990-22040	Spring Washer 6	2	2			
18-40	794080-52401	Fuse Box Assembly	1	1	Includes 41~44		
18-41	194080-52411	Fuse Box	1	1			
18-42	194080-52820	Fuse 5A	3	3			
18-43	194080-52830	Fuse 10A	6	6			
18-44	194080-52840	Fuse 15A	3	3			
18-45	26557-050082	Screw M5X8	2	2			
18-46	26717-050002	Nut M5	2	2			
18-47	194151-55100	Light Assembly, indicator	1	1	Includes 48		
18-48	194151-55820	Bulb 12V 3.4W	3	3			
18-49	194151-65310	Label	1	1			
18-50	26557-050122	Screw M5 x 12	2	2			

YM1700-A
YM2000A-A

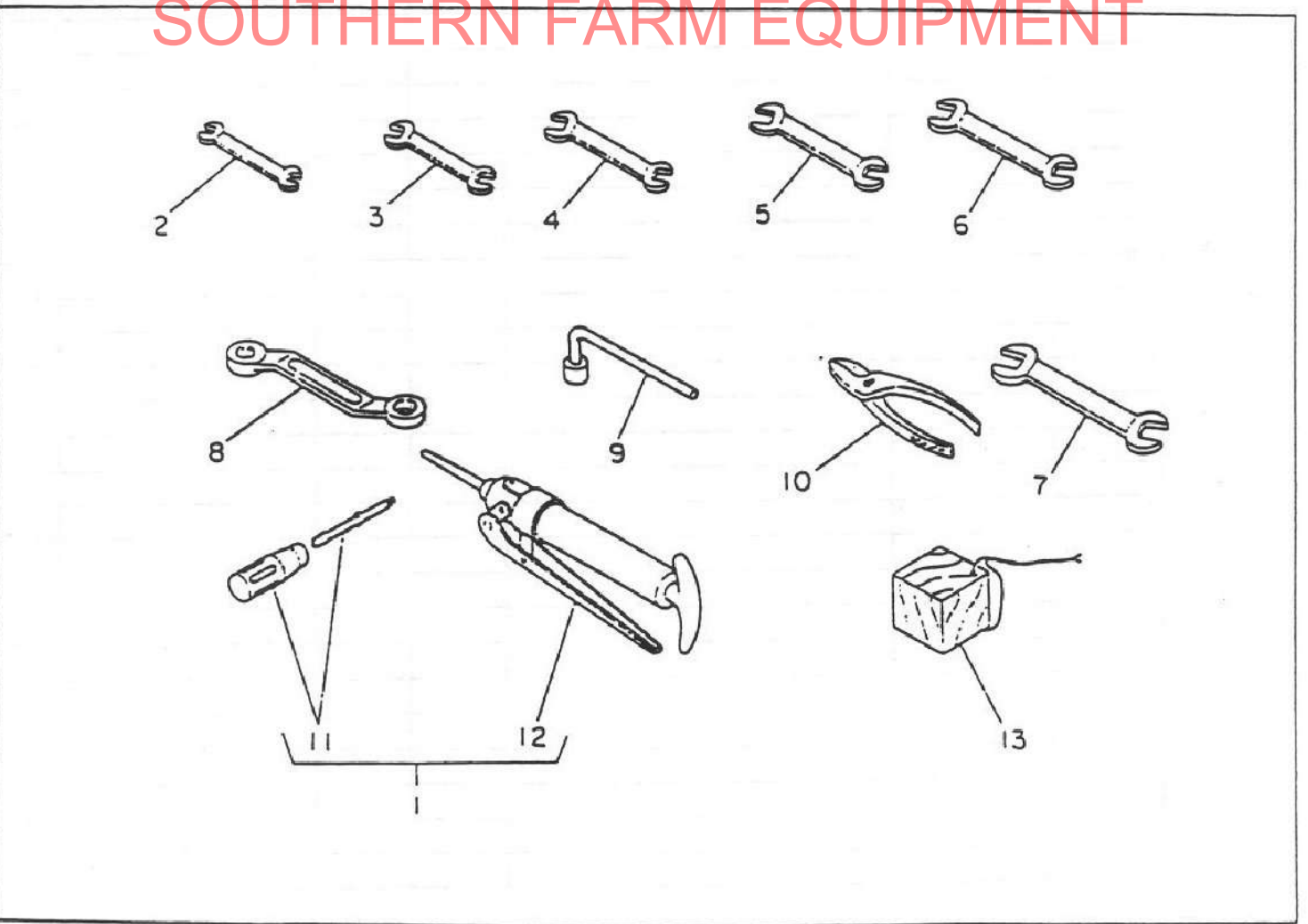
19. Drawbar



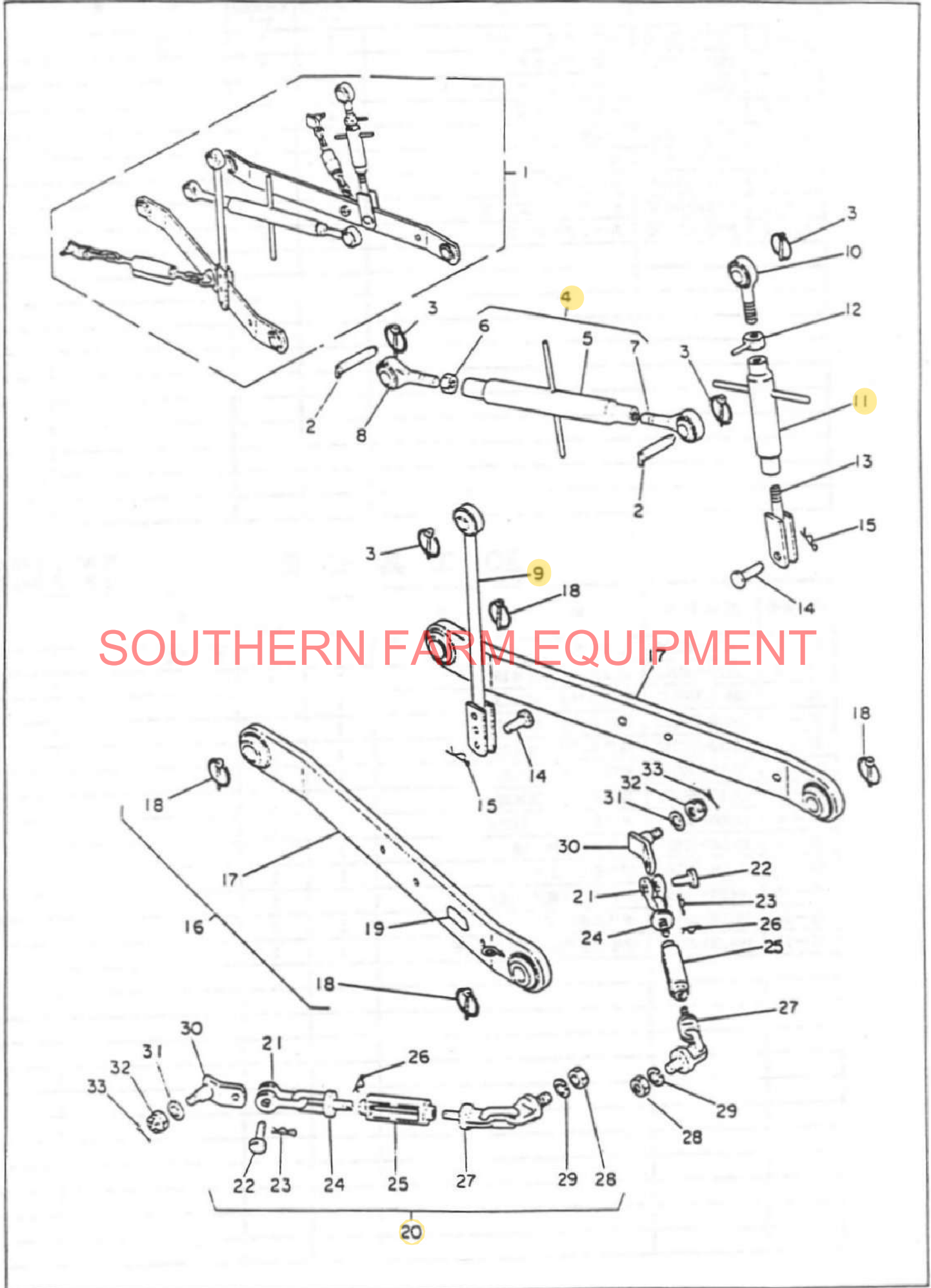
YM1700-A
YM2000A-A

20. Toolkit

SOUTHERN FARM EQUIPMENT



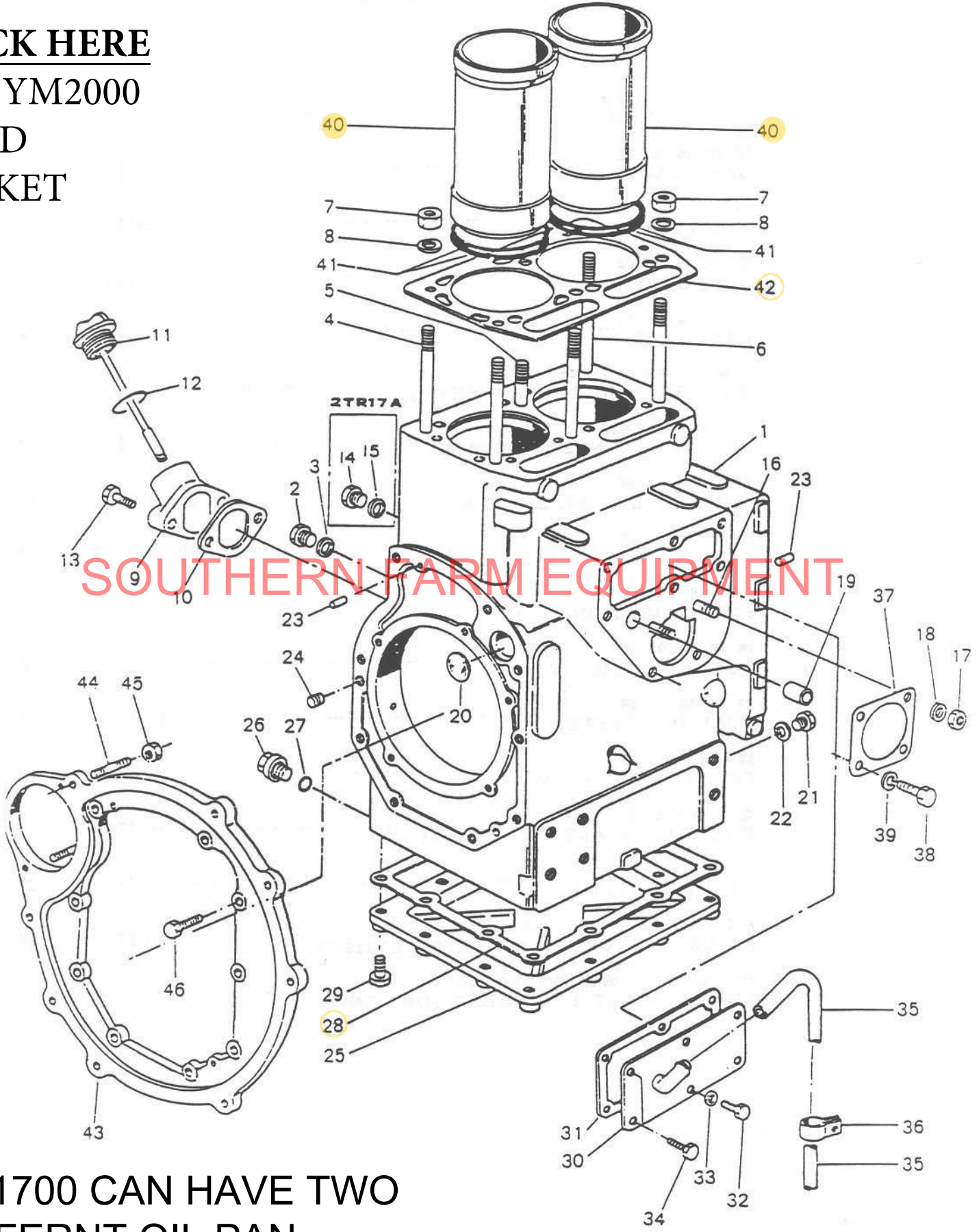
21. 3-Point Hitch



CLICK HERE¹
 FOR YM2000 CYLINDER BLOCK
 SLEEVES

AFTER CLICKING THE LINK PLEASE VERIFY IF
 YOU HAVE A YM1700 (2TR17A) , YM2000 (2TR20A)

CLICK HERE
 FOR YM2000
 HEAD
 GASKET



YM1700 CAN HAVE TWO
 DIFFERNT OIL PAN
 GASKLETS **(1)** or **(2)**

YM2000 OIL PAN
 GASKET **CLICK HERE!**

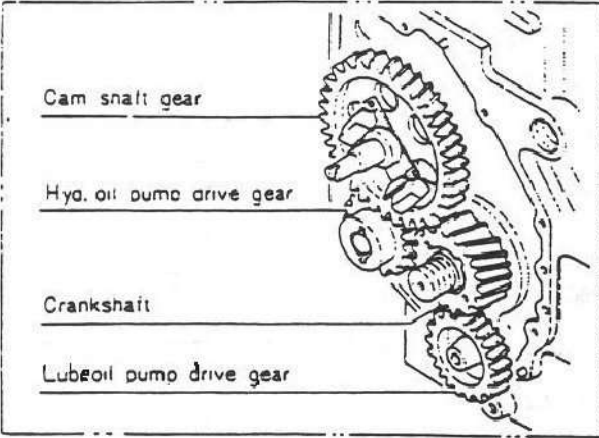
Cylinder Block					Section Code
					01
Item No.	Part Name	Part Number	Qty/	Unit	Remarks
			2TR17A	2TR20A	
1	Cylinder Block Assembly	724465-01560	1	1	
2	Plug, 10	121250-01990	1	1	
3	Packing, 10	124450-01210	1	1	
4	Stud (A), cylinder head	124450-01220	4	4	
5	Stud (B), cylinder head	124450-01230	1	1	
6	Stud (C), cylinder head	124450-01230	1	1	
7	Nut, cylinder head lock	124450-01250	6	6	
8	Washer, cylinder head lock nut	124450-01240	6	6	
9	Flange, oil feed	121250-01522	1	1	
10	Packing, flange	124160-34842	1	1	
11	Cap with dipstick	121250-01791	1	1	
12	O-ring, G35	24321-000350	1	1	
13	Bolt, M8 x 35	26117-080352	2	2	
14	Plug, hex head M14 x 15	124450-01960	1		
15	Packing	124450-01980	1		
16	Stud, M8 x 22	26216-080222	2	2	Fuel Injection Pump Fitting
17	Nut, M8	26716-080000	2	2	Fuel Injection Pump Fitting
18	Seal Washer	43400-500410	2	2	
19	Bush, regulator handle shaft	124550-01900	1	1	
20	Plug, countersunk, 40	27231-400000	1	1	
21	Plug, hex head plated, PF ¼	23897-020002	1	1	
22	Packing, copper, 12	23414-120000	1	1	
23	Parallel Pin, 8 x 16	22312-080160	4	4	
24	Plug, PT 1/8	124060-01050	2	2	
25	Oil Pan Assembly	724465-01540	1	1	
26	Plug	23491-120002	1	1	

Cylinder Block					Section Code
					01
Item No.	Part Name	Part Number	Qty/ Unit		Remarks
			2TR17A	2TR20A	
27	O-ring, P15	24311-000140	1	1	
28	Packing, cylinder oil pan	124465-01751	1	1	
29	Bolt, plated, M8 x 35	26116-080352	16	16	
30	Cover, fuel pump box	124160-01850	1	1	
31	Packing, fuel pump box	124160-01861	1	1	
32	Bolt, M6 x 14	26116-060142	4	4	
33	Washer, M6	22137-060000	4	4	NLA
34	Bolt, M6 x 16	26116-060162	2	2	
35	Pipe, 9 x 500	23065-090500	1	1	
36	Clamp, breather pipe	124160-01650	1	1	
37	Shim, fuel injection pump, t=0.5	124550-51950	1	1	
38	Bolt, M8 x 22	26116-080222	2	2	Fuel Injection Pump Fitting
39	Spring Washer, M8	22212-080000	2	2	
40	Cylinder Liner, w/ rubber packing	724763-01900	2	2	
41	Rubber Packing, cylinder liner	124550-01300	4	4	
42	Gasket, cylinder head	124763-01330 124450-01331	1	1	
43	Flange, mounting	124465-01600	1	1	
44	Stud, starter motor	124450-01610	2	2	
45	Nut, plated, M12	26717-120002	2	2	
46	Bolt, plated, M10 x 32	26116-100322	9	9	

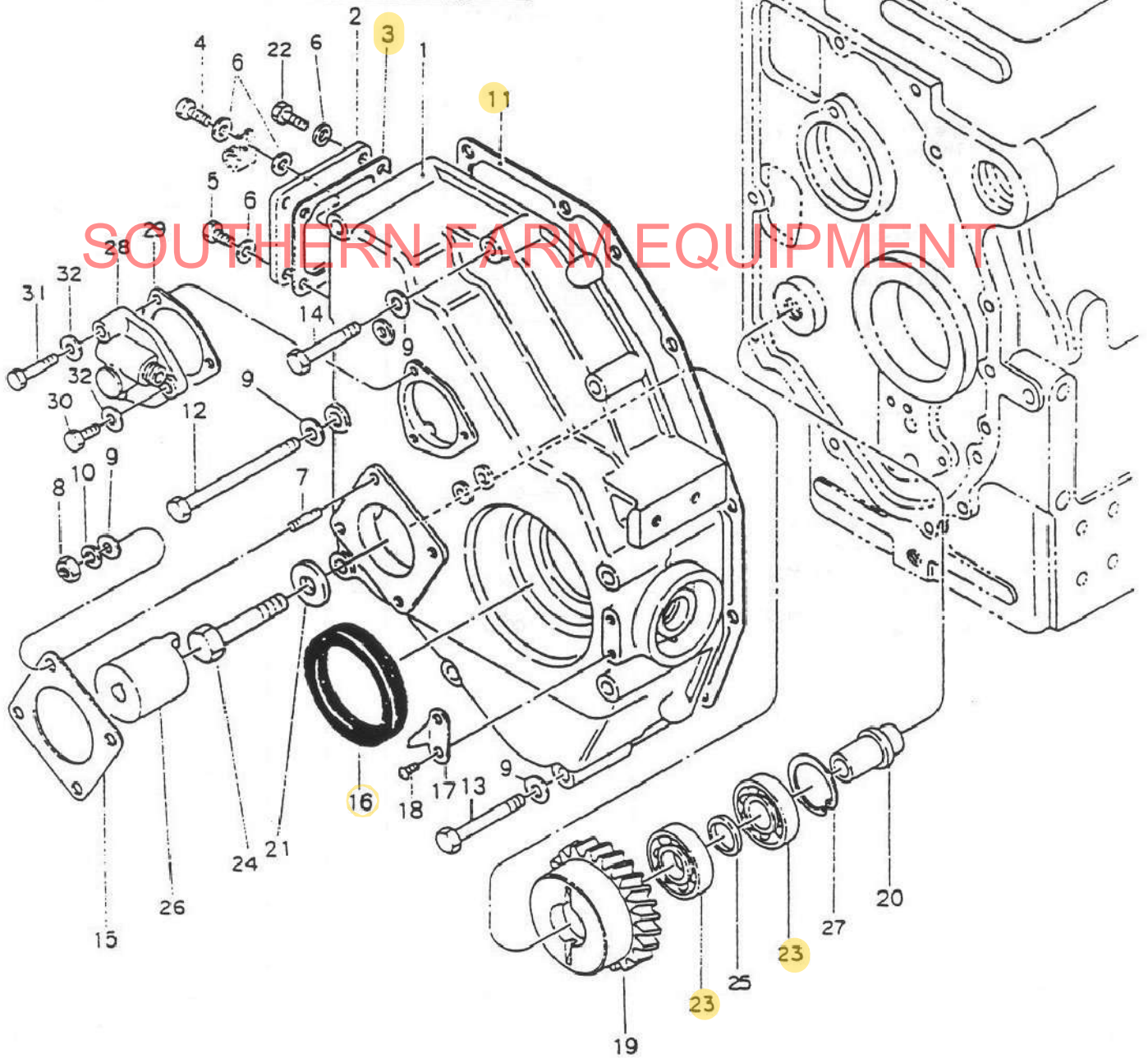
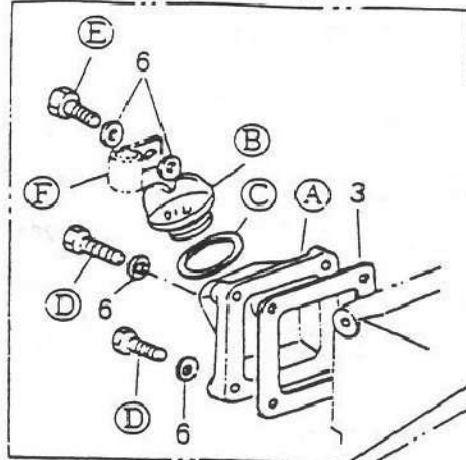
3 & 4

GEAR CASE

Gear



Gear case ass'y (for spare part)



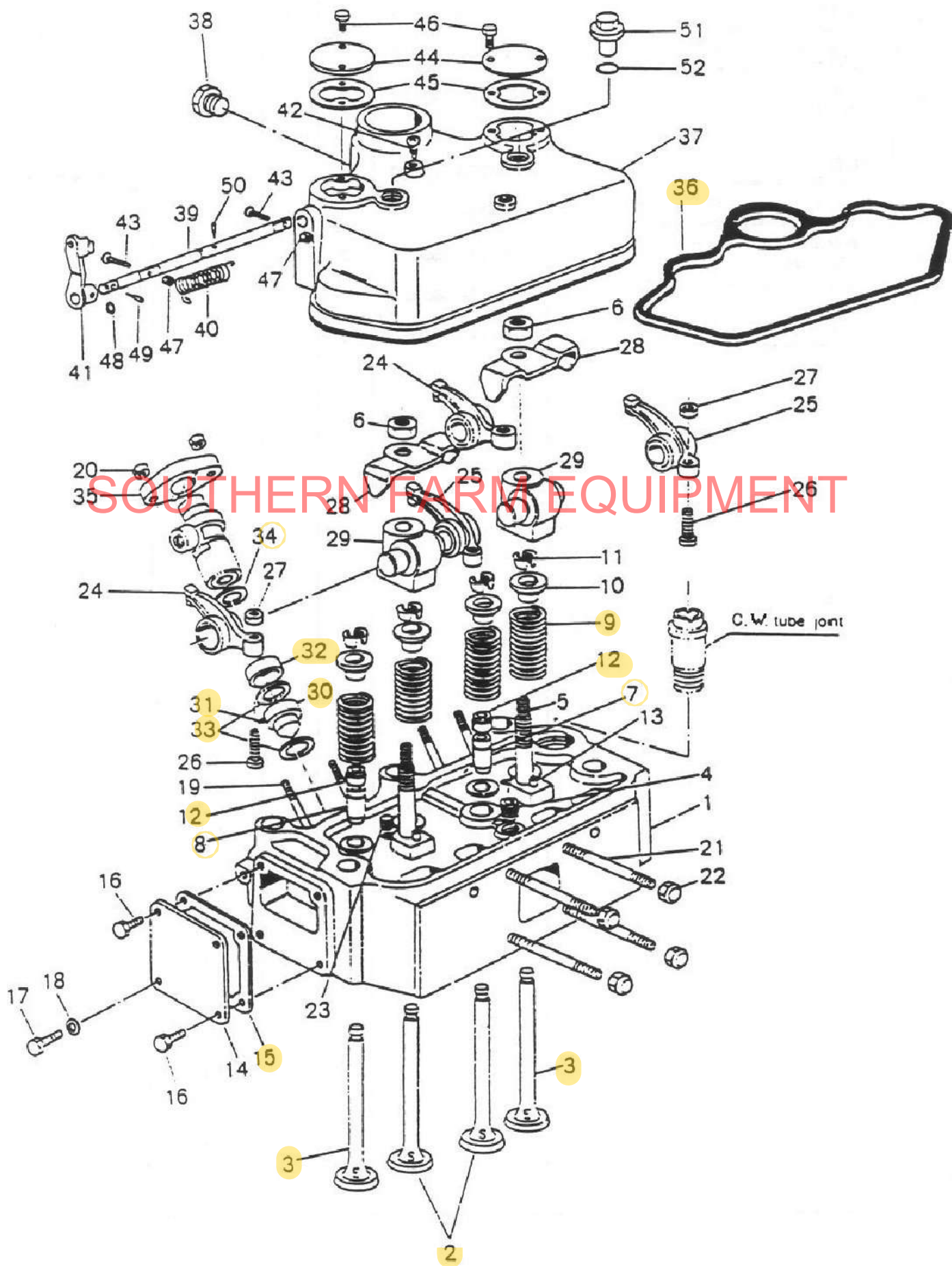
Gear Case					Section Code	
					03	
Item No.	Part Name	Part Number	Qty/ Unit		Remarks	
			2TR17A	2TR20A		
1	Gear Case Assembly, timing	724160-01612	1	1	Loc. 2,3,6, A-F Although the aforementioned items are included in timing gear case ass'y (724160-01612), this ass'y is to be used in common for models 2TR15, 16, 17, 19, & 20. (C): series A-F are not needed for Models 2TR17A & 20A	
2	Cover, timing gear case	121250-01550	1	1		
3	Packing, cover	124160-01530	1	1		
4	Bolt, plated, M8 x 16	26117-080162	1	1		
5	Bolt, plated, M8 x 12	26117-080122	1	1		
6	Packing, 8	23414-080000	7	7		
A	Mounting, oil feed	124160-01521	1	1		
B	Cover	124160-01750	1	1		
C	Packing, cover	24321-000350	1	1		
D	Bolt, M8 x 18	26117-080182	3	3		
E	Bolt, M8 x 22	26117-080222	1	1		
F	Clamp, vent pipe	124160-01650	1	1		
7	Stud, plated, M8 x 22	26217-080222	4	4		
8	Nut, plated, M8	26717-080002	4	4		NLA, Lube oil pump fitting
9	Washer, plain, M8	22137-080000	13	13		(NLA)Gear case fitting Lube oil pump fitting For lube oil pump
10	Spring Washer, M8	22212-080000	4	4		
11	Packing, timing gear case	124450-01511	1	1		
12	Bolt, plated, M8 x 100	26116-081002	5	5		
13	Bolt, plated, M8 x 50	26116-080502	2	2		Timing gear case fitting
14	Bolt, plated, M8 x 60	26116-080602	2	2		
15	Packing, hydraulic oil pump	124240-01881	1	1		
16	Oil Seal, crankshaft, NTC588012	124450-01800	1	1		
17	Pointer, crankshaft V-pulley	124450-07300	1	1		
18	Screw, plated, M6 x 10	26557-060102	2	2	V-pulley pointer fitting	
19	Gear, lube oil pump driving	121250-26400	1	1		
20	Shaft, driving gear	121250-26400	1	1		
21	Washer, bolt	124450-26410	1	1	For lube oil pump driving gear	
22	Bolt, M8 x 18	26117-080182	2	2		

Gear Case					Section Code
					03
Item No.	Part Name	Part Number	Qty/	Unit	Remarks
			2TR17A	2TR20A	
23	Ball Bearing, 6004	24101-060042	2	2	
24	Bolt, M12 x 65	26117-120652	1	1	
25	Spacer, ball bearing	121250-26210	1	1	
26	Connector, lube oil pump	121250-26160	1	1	
27	Circlip, 42	22252-000420	1	1	
28	Gear unit, tachometer	124250-91400	1	1	Not sold separately
29	Packing,, tachometer gear unit	124250-91411	1	1	
30	Bolt, plated, M6 x 16	26117-060162	2	2	
31	Bolt, plated, M6 x 32	26117-060322	1	1	Tachometer gear unit fitting
32	Packing, copper, 6	23414-060000	3	3	

SOUTHERN FARM EQUIPMENT

5 & 6

CYLINDER HEAD

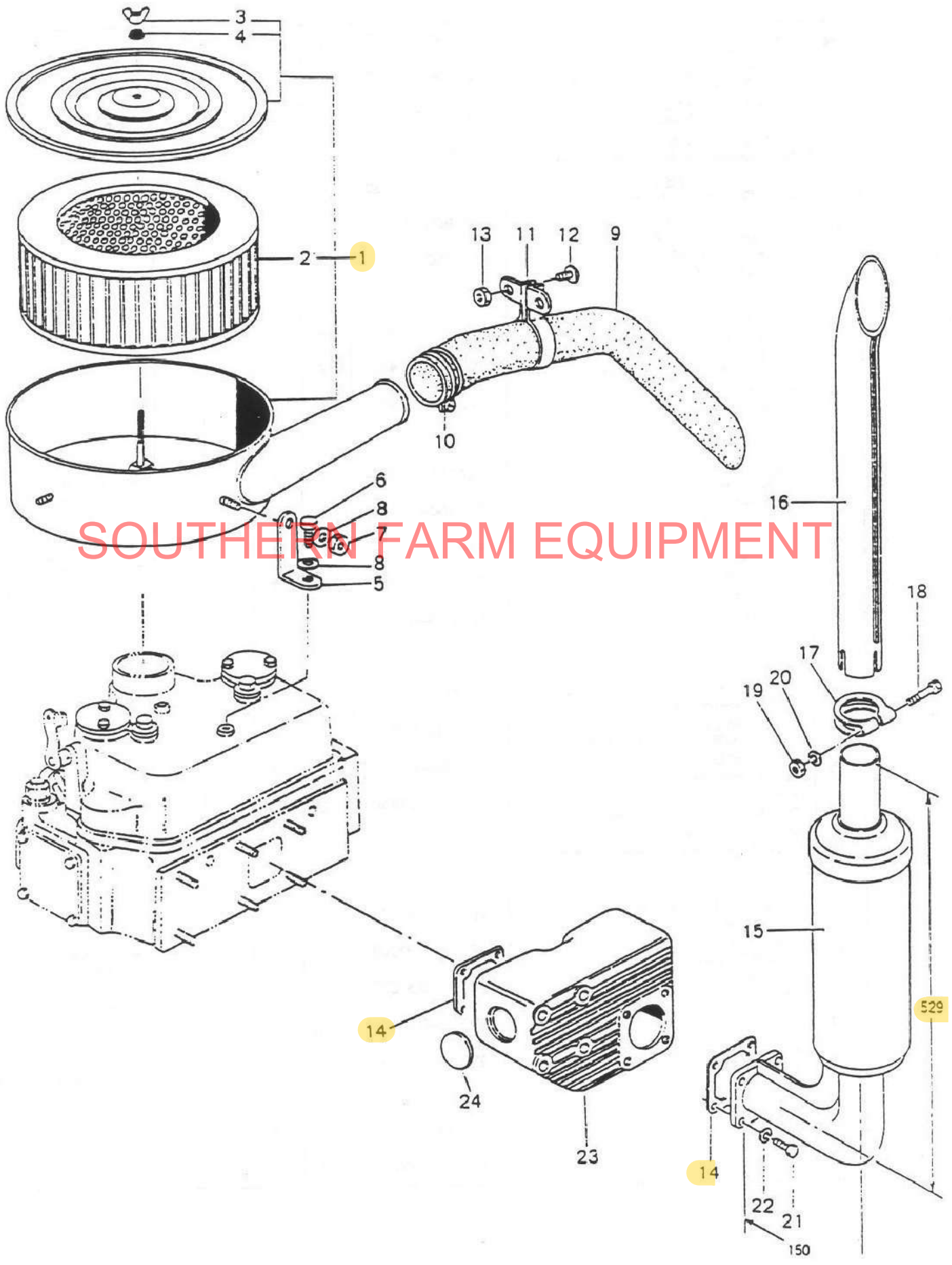


Cylinder Head					Section Code
					11
Item No.	Part Name	Part Number	Qty/	Unit	Remarks
			2TR17A	2TR20A	
1	Cylinder Head Assembly	724450-11702	1	1	
2	Valve, intake	104600-11100	2	2	
3	Valve, exhaust	104600-11110	2	2	
4	Screw Plug, PT 3/8	124250-11880	1	1	For cylinder head
5	Stud, valve rocker arm support	104700-11350	2	2	
6	Nut, M12	124460-11270	2	2	For valve rocker arm support fitting
7	Valve Guide, intake	124450-11160	2	2	
8	Valve Guide, exhaust	124450-11170	2	2	
9	Spring, intake & exhaust valve	124450-11120	4	4	
10	Retainer, int. & exh. valve spring	103338-11180	4	4	
11	Cotter, int. & exh. spring retainer	103338-11190	4	4	
12	Seal, valve stem	124460-11340	4	4	
13	Pin, spring	22351-060014	2	2	
14	Cover, cylinder head side	124450-11671	1	1	Flywheel side
15	Packing, cylinder head side cover	124450-11681	1	1	
16	Bolt, plated, M8 x 12	26117-080122	3	3	For cover flywheel side cyl. head side
17	Bolt, plated, M8 x 14	26117-080142	1	1	Cover, cyl. Clip M8 x 14, M8 x 16
18	Washer, M8	22137-080000	1	1	(NLA) For fuel inj. valve fit.
19	Stud, plated, M8 x 60	26217-080602	4	4	For fuel injection valve fitting
20	Nut, plated, M8	26717-080002	4	4	NLA
21	Stud, plated, M8 x 75	26216-080752	4	4	
22	Cap Nut, M8	26657-080002	4	4	For silencer
23	Plug, drain, PT ¼	121250-11520	2	2	
24	Rocker Arm, w/bush. Int. & exh. valve	724450-11650	2	2	No. 1 exh., No. 2 int.
25	Rocker Arm, w/bush. Int. & exh. valve	724450-11660	2	2	No. 1 exh., No. 2 int.
26	Screw, valve clearance adjusting	101158-11230	4	4	
27	Locknut, M8	26757-080002	4	4	For valve clearance adj. Screw

Cylinder Head					Section Code
					11
Item No.	Part Name	Part Number	Qty/ Unit		Remarks
			2TR17A	2TR20A	
28	Retainer, rocker arm	124450-11290	2	2	
29	Support, valve rocker arm (w/ball)	124450-11260	2	2	
30	Pre-combus. Chamber, front w/lock pin	124750-11420		2	
	Pre-combus. Chamber, front w/lock pin	124450-11420	2		
31	Lock pin, front pre-combus. chamber	103338-11430	2	2	
32	Pre-combustion Chamber, rear	104900-11410		2	
	Pre-combustion Chamber, rear	124450-11410	2		
33	Packing, pre-combustion chamber	104900-11450	4	4	
34	Insulator, fuel injection valve	103854-11490	2	2	
35	Flange, fuel injection valve	173400-11900	2	2	
36	Packing, bonnet	124450-11310	1	1	Exclusive spare parts
37	Bonnet Assembly	724460-11521	1	1	
38	Plug, bonnet	124450-11320	1	1	For screw hole thermostat
39	Shaft, decompression	124450-03600	1	1	
40	Spring, decompression	124250-03621	1	1	
41	Lever, decompression	124250-03611	1	1	
42	Lock Screw, decompression shaft	124250-03640	1	1	
43	Screw, decompression adjusting	124250-03630	2	2	
44	Cover, decompression adjusting	124460-03650	2	2	
45	Packing, decompression adjusting cover	124460-03661	2	2	
46	Bolt, plated, M6 x 10	26117-060102	4	4	For cover, decompression
47	Lock Nut, plated, M5	26757-050002	2	2	For decompression adj. Screw
48	O-ring, P7	24311-000070	1	1	For decompression shaft
49	Taper Pin, 3 x 18	22322-030180	1	1	For decompression spring
50	Taper Pin, 3 x 14	22322-030140	1	1	
51	Cap, bonnet	124460-11360	2	2	
52	O-ring, P14	24311-000140	2	2	

7

AIR CLEANER & SILENCER

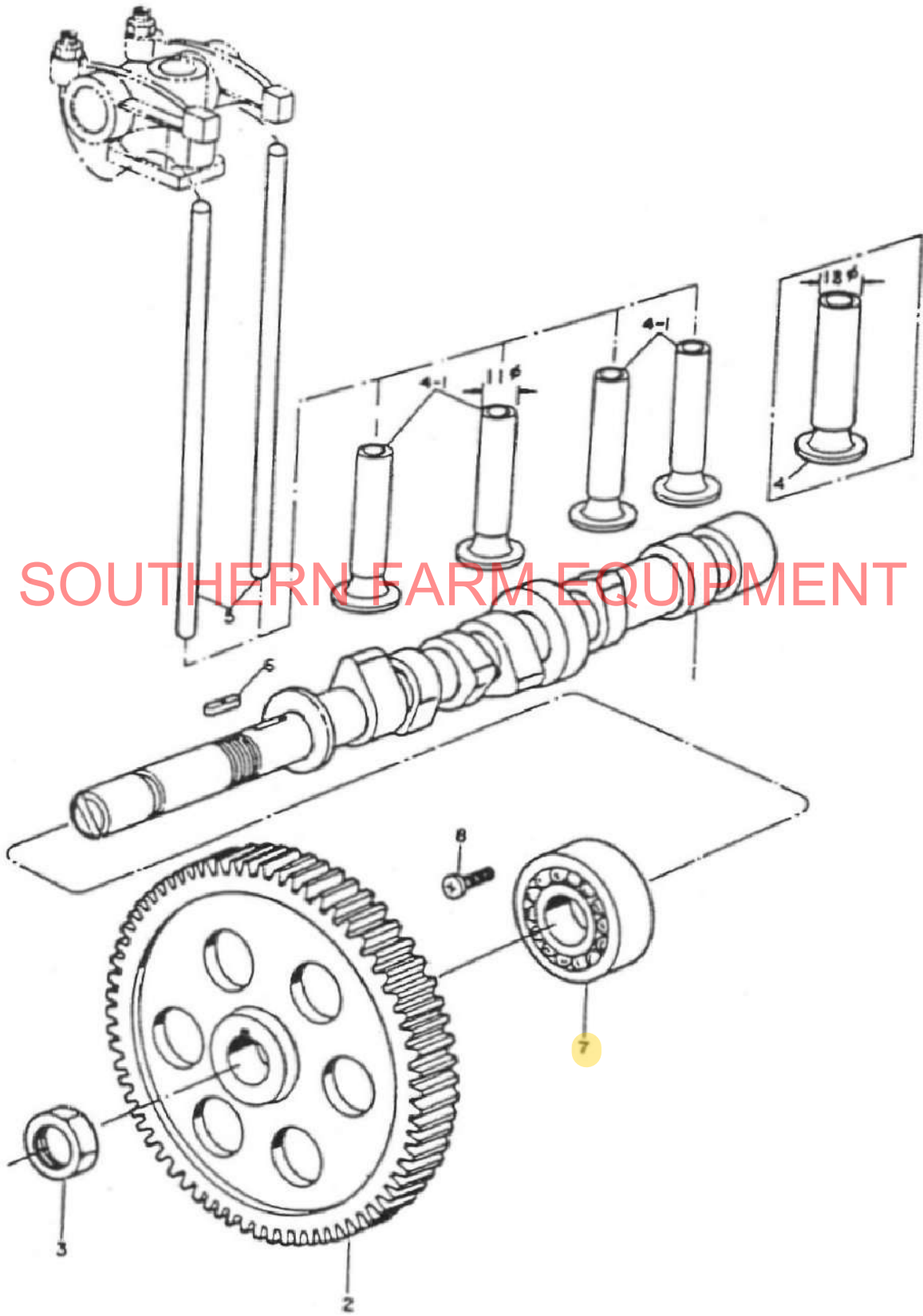


SOUTHERN FARM EQUIPMENT

Air Cleaner					Section Code
					12,13
Item No.	Part Name	Part Number	Qty/ Unit		Remarks
			2TR17A	2TR20A	
1	Air Cleaner	124763-12501	1	1	
2	Element, air cleaner	124295-12560	1	1	Old no. 124450-12510
3	Wing Nut	124450-12560	1	1	
4	Washer	124450-12570	1	1	
5	Retainer, air cleaner	124450-12520	1	1	
6	Bolt, plated, M8 x 14	26117-080142	1	1	
7	Nut, plated, M8	26717-080002	1	1	NLA , For retainer air cleaner
8	Washer, 8	22137-080000	2	2	NLA
9	Pipe, air intake to cleaner	124460-12551	1	1	For air cleaner
10	Clamp	23010-044000	1	1	Air intake pipe tightening
11	Retainer, pipe	124460-12560	1	1	For air intake to cleaner
12	Screw, M6 x 8	26557-060082	2	2	
13	Nut, M6	26717-060002	2	2	NLA
14	Gasket, silencer	124450-11900	2	2	
15	2 nd Silencer Assembly, exhaust	724465-13700	1	1	
16	Pipe, 2 nd silencer	124160-13570	1	1	121250-13571
17	Clamp	121250-13580	1	1	
18	Bolt, M10 x 63	26117-100652	1	1	
19	Nut, M10	26717-100652	1	1	
20	Spring Washer, 10	22212-100000	1	1	
21	Bolt, plated, M8 x 22	26117-080222	4	4	For silencer fitting
22	Washer, 8	22212-080000	4	4	
23	1 st Silencer, exhaust	124460-13510	1	1	
24	Plug, 35	27231-350000	1	1	

8

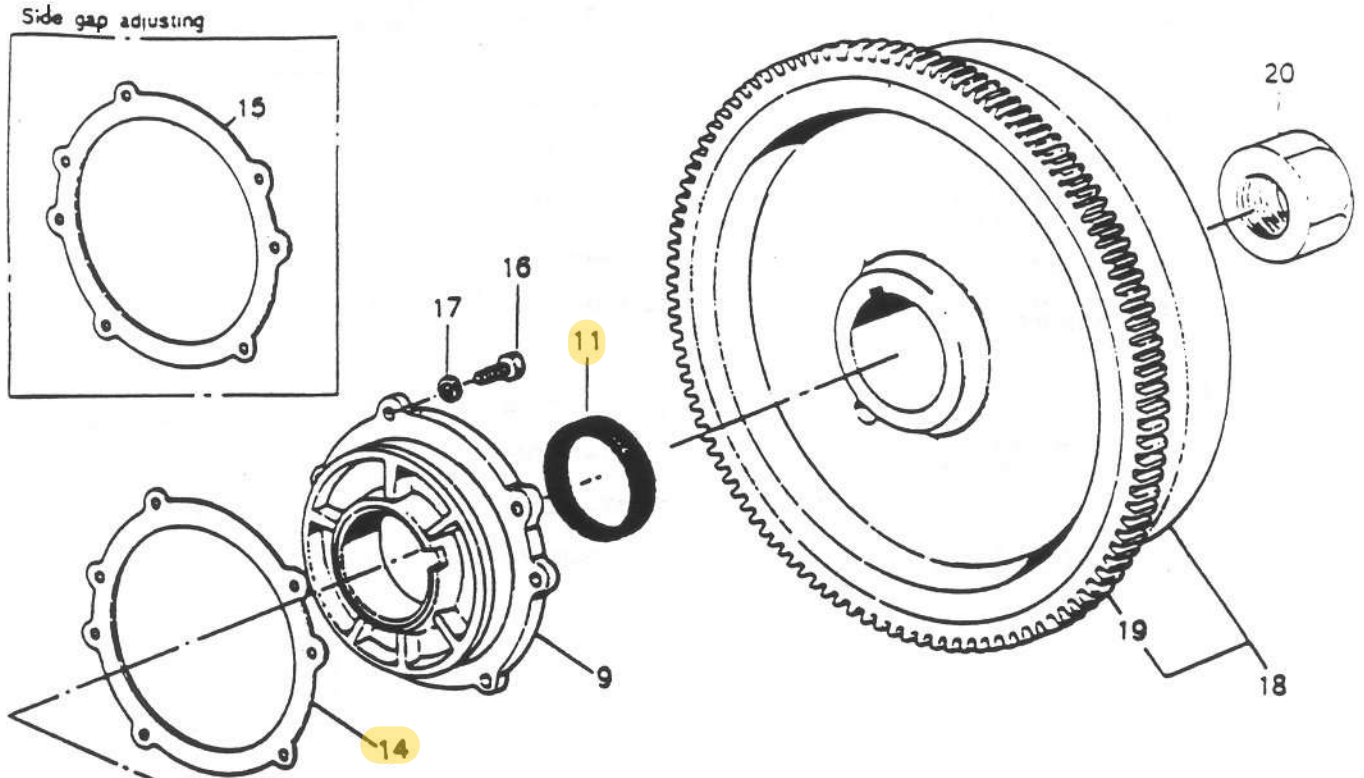
CAM SHAFT



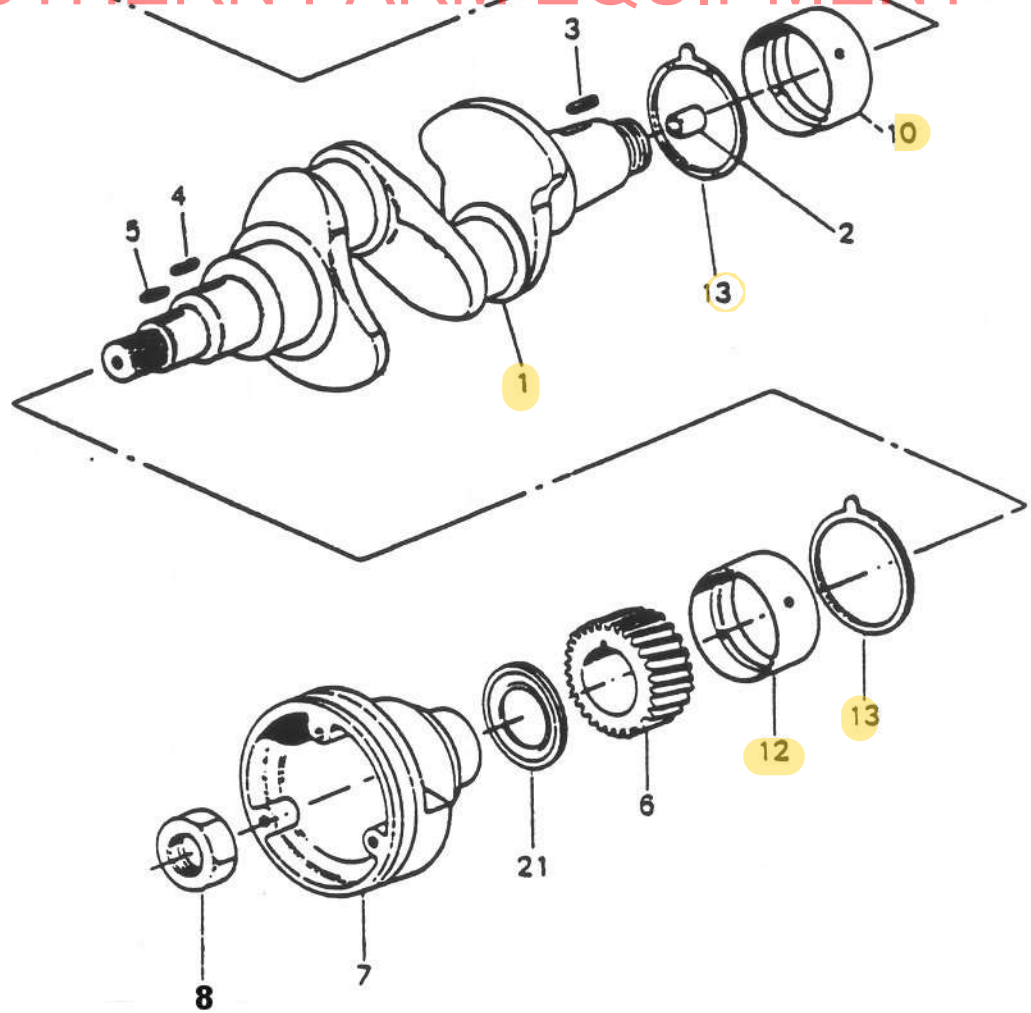
Camshaft					Section Code
					14
Item No.	Part Name	Part Number	Qty/ Unit		Remarks
			2TR17A	2TR20A	
1	Camshaft	124465-14010	1	1	
2	Gear, camshaft	121250-14100	1	1	
3	Nut, camshaft gear fitting	124450-14120	1	1	
4	Tappet	103338-14200	4	4	
5	Push Rod, valve	124450-14400	4	4	
6	Key, 7 x 18	22512-070180	1	1	For camshaft gear
7	Ball Bearing, camshaft	24101-062064	1	1	
8	Screw, M8 x 12	26587-080122	1	1	For retainer ball bearing
9	Retainer, ball bearing	121250-02450	1	1	

SOUTHERN FARM EQUIPMENT

MAIN BEARING & CRANK SHAFT



SOUTHERN FARM EQUIPMENT



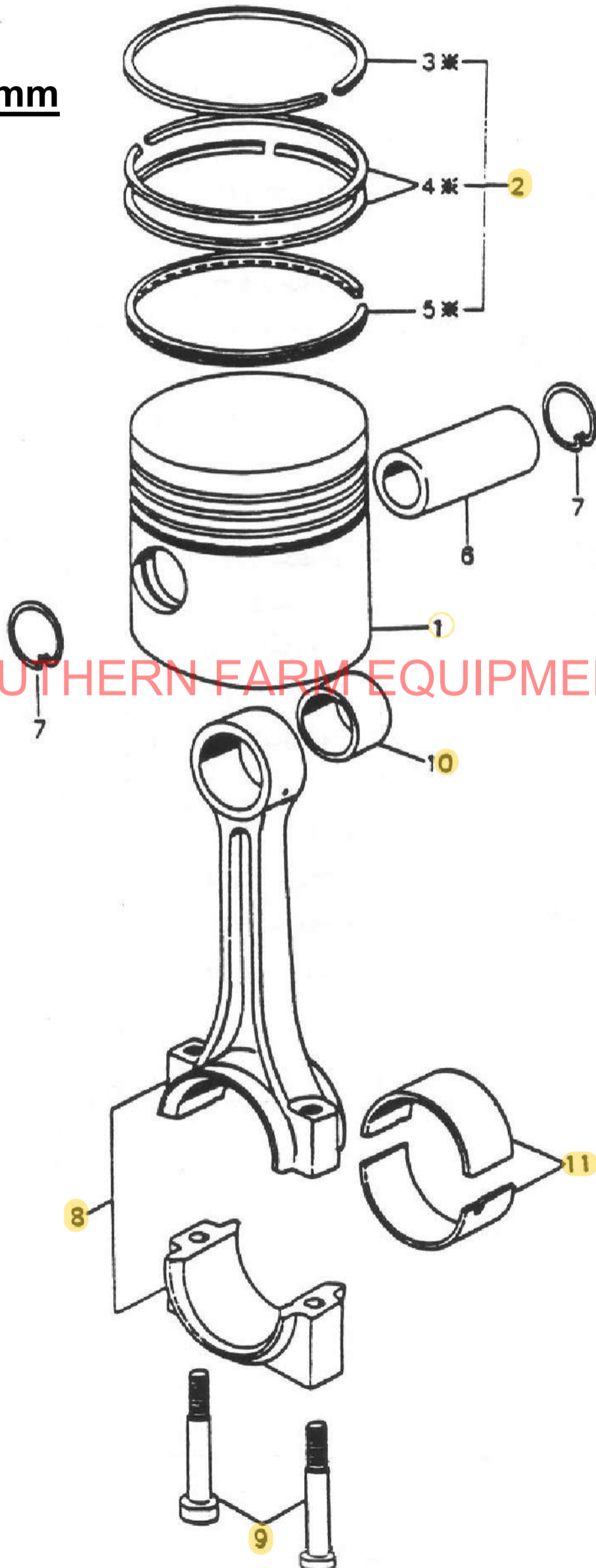
Main Bearing & Crankshaft					Section Code
					21
Item No.	Part Name	Part Number	Qty/ Unit		Remarks
			2TR17A	2TR20A	
1	Crankshaft assembly	724450-21701	1	1	
2	Bush	124450-21230	1	1	
3	Key, 10x 36	22512-100362	1	1	
4	Key, 7 x 28	22512-070282	1	1	For crankshaft gear
5	Key, 7 x 24	22512-070242	1	1	For crankshaft v-pulley
6	Gear, crankshaft	121250-21200	1	1	
7	v-Pulley, PTO to crankshaft	124764-21650	1	1	
8	Nut, plated, M30	124160-21670	1	1	Gear, crankshaft, v-pulley
9	Housing, Assembly, main bearing	724465-02500	1	1	
10	Main Bearing, v-pulley side	124450-02100	1	1	121250-02101
11	Oil seal, crankshaft	124450-02220	1	1	
12	Main Bearing	124450-02100	1	1	
13	Thrust Metal	124450-02110	2	2	
14	Packing, main bearing, housing, t=0.3	124460-02150	1	1	Standard
15	Packing, main bearing, housing, t=0.1	124460-02160	1	1	For adjustment
16	Bolt, plated, M10 x 25	26117-100252	5	5	
17	Spring Washer, 10	22212-100000	5	5	Main bearing housing fitting
18	Flywheel, w/ring gear	124450-21590	1	1	
19	Ring Gear	124550-21600	1	1	
20	End Nut	124450-21530	1	1	
21	Dics, oil spring back	124160-21700	1	1	

10

PISTON & CONNECTING ROD

YM2000 CAN
HAVE TWO
DIFFERENT
PISTONS 88mm
or 90mm

CLICK ON
BORE SIZE
ABOVE!



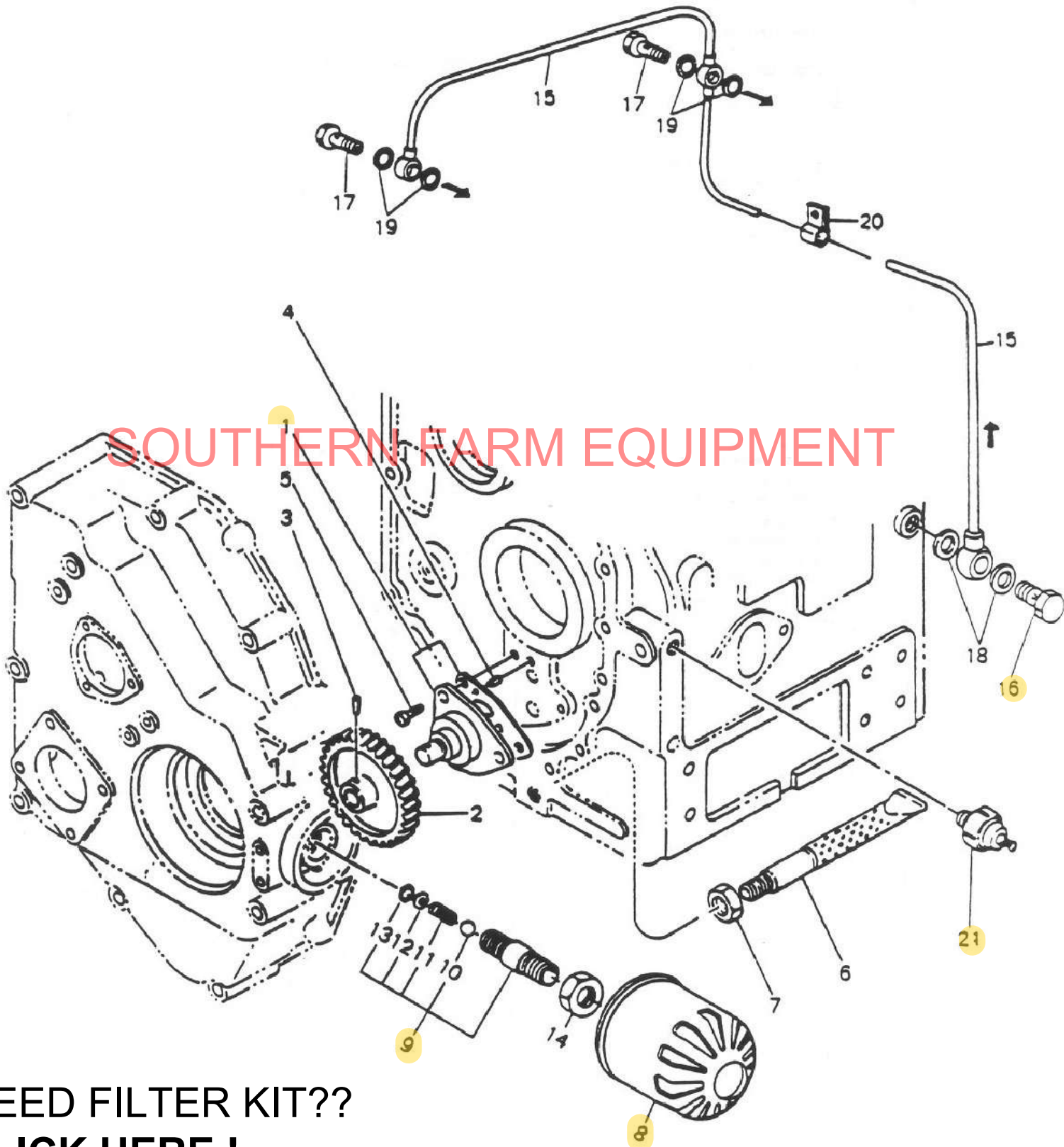
SOUTHERN FARM EQUIPMENT

Piston & Connecting Rod					Section Code
					22,23
Item No.	Part Name	Part Number	Qty/ Unit		Remarks
			2TR17A	2TR20A	
1	Piston (with rings) Piston (with rings)	124763-22090 124450-22090		2	
2	Piston Ring Set Piston Ring Set	724763-22500 724450-22500	2	2	
3	Piston Ring No. 1	*	2	2	Order ring set
4	Piston Rings No. 2 & 3	*	2	2	Order ring set
5	Oil Ring	*	2	2	Order ring set
6	Pin, piston Pin, piston	104600-22300 101704-22300	2	2	
7	Circlip, piston pin	104600-22400	4		
8	Connecting Rod Assembly	724450-23100	2	2	
9	Bolt, connecting rod	124450-23200	4	4	
10	Bush, piston pin	124450-23900	2	2	
11	Crank Pin Bearing	124450-23600	2	2	

SOUTHERN FARM EQUIPMENT

11

LUBRICATING OIL SYSTEM



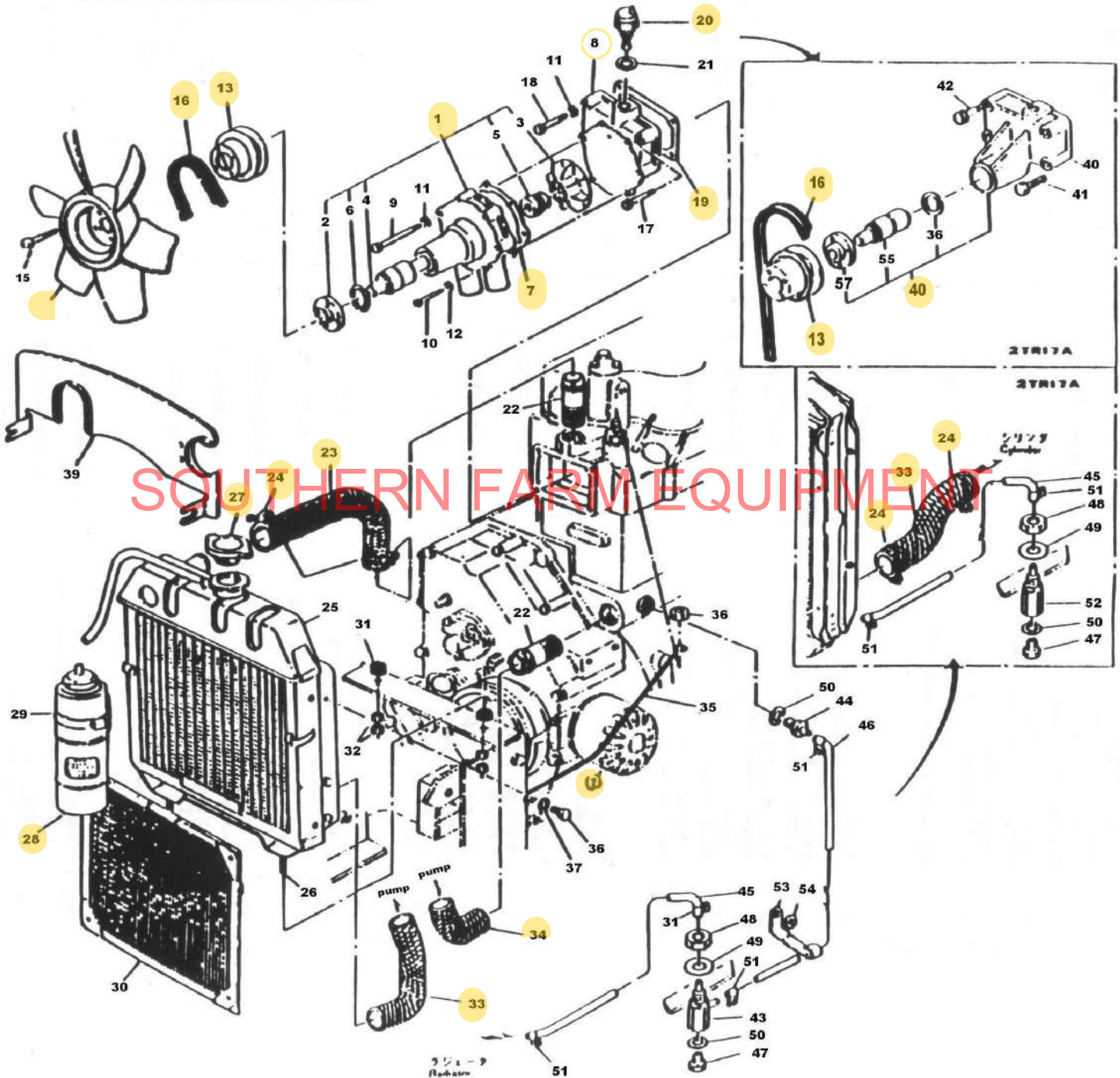
NEED FILTER KIT??
CLICK HERE !

Lubricating Oil System					Section Code
					32,35,39
Item No.	Part Name	Part Number	Qty/ Unit		Remarks
			2TR17A	2TR20A	
1	Pump Assembly, lube oil	724460-32700	1	1	
2	Gear, lube oil pump driving	121250-32200	1	1	
3	Pin, 3 x 22	22322-030220	1	1	For pump driving gear
4	Spring Pin, 4AW x 12	22351-004012	1	1	For pump body
5	Bolt, M6 x 22	26117-060229	3	3	Pump driving
6	Pipe, lube oil intake	124450-35060	1	1	
7	Lock Nut, PF 1/4	122450-35070	1	1	
8	Strainer, lube oil	119660-35150	1	1	Old no.124450-35100
9	Valve Assembly, pressure regulating	124450-35301	1	1	
10	Steel Ball, 1/16	24190-100001	1	1	
11	Spring, pressure adjusting	124450-35320	1	1	
12	Spring Shoe, pressure adjusting	124450-35330	1	1	
13	Circlip	22252-000100	1	1	
14	Lock Nut	124450-35350	1	1	
15	Pipe, lube oil	124465-39200	1	1	
16	Bolt, pipe joint	124160-39140	1	1	
17	Bolt, pipe joint	124550-59820	2	2	
18	Packing, 10	23414-100000	2	2	
19	Packing, copper, 8	23414-080000	4	4	
20	Clamp	124450-39240	1	1	
21	Sensor, oil pressure	121250-39450	1	1	

NEED A WATER PUMP CONVERSION KIT FOR YM1700?? [CLICK HERE!!](#)

12,13,14

COOLING WATER SYSTEM



Cooling Water System					Section Code
					42,44,49
Item No.	Part Name	Part Number	Qty/	Unit	Remarks
			2TR17A	2TR20A	
1	Pump Assembly, cooling water	721250-42700		1	
2	Flange, V-pulley mounting	124550-42260		1	
3	Impeller, cooling water pump	121250-42200		1	
4	Shaft, cooling water pump	124250-42240		1	
5	Mechanical Seal, pump shaft	124250-42350		1	
6	Circlip, pump shaft	124250-42170		1	
7	Packing, cooling water pump	124750-42050		1	
8	Mount, cooling water pump	121250-42120		1	
9	Bolt, plated, M8 x 70	26116-080702		2	Pump body
10	Bolt, plated, M6 x 38	26116-060382		4	Pump body fitting
11	Washer, plain, 8	22117-080000		3	
12	Washer, plain, 6	22117-060000		4	
13	V-pulley, pump driving	124750-42350		1	
	V-pulley, pump driving	124450-44461	1		
14	Fan	124450-44740	1	1	
15	Bolt, plated, M6 x 12	26117-060122		4	For fan fitting
	Bolt, plated, M6 x 42	26117-060422	4		For fan fitting
16	V-belt	124240-42291	1	1	
17	Bolt, plated, M8 x 45	26116-080452	1	1	Pump mount belt adjuster
18	Bolt, plated, M8 x 45	26116-080402	1	1	Pump mount fitting Cooling for mount fitting
19	Packing, cooling water pump mount	124450-44410	1	1	
20	Sensor, temperature	124750-44902		1	
		124450-44902	1		121250-44901
21	Packing, copper	23414-160000	1	1	For temperature sensor
22	Joint, cooling water	124160-49480	2	2	

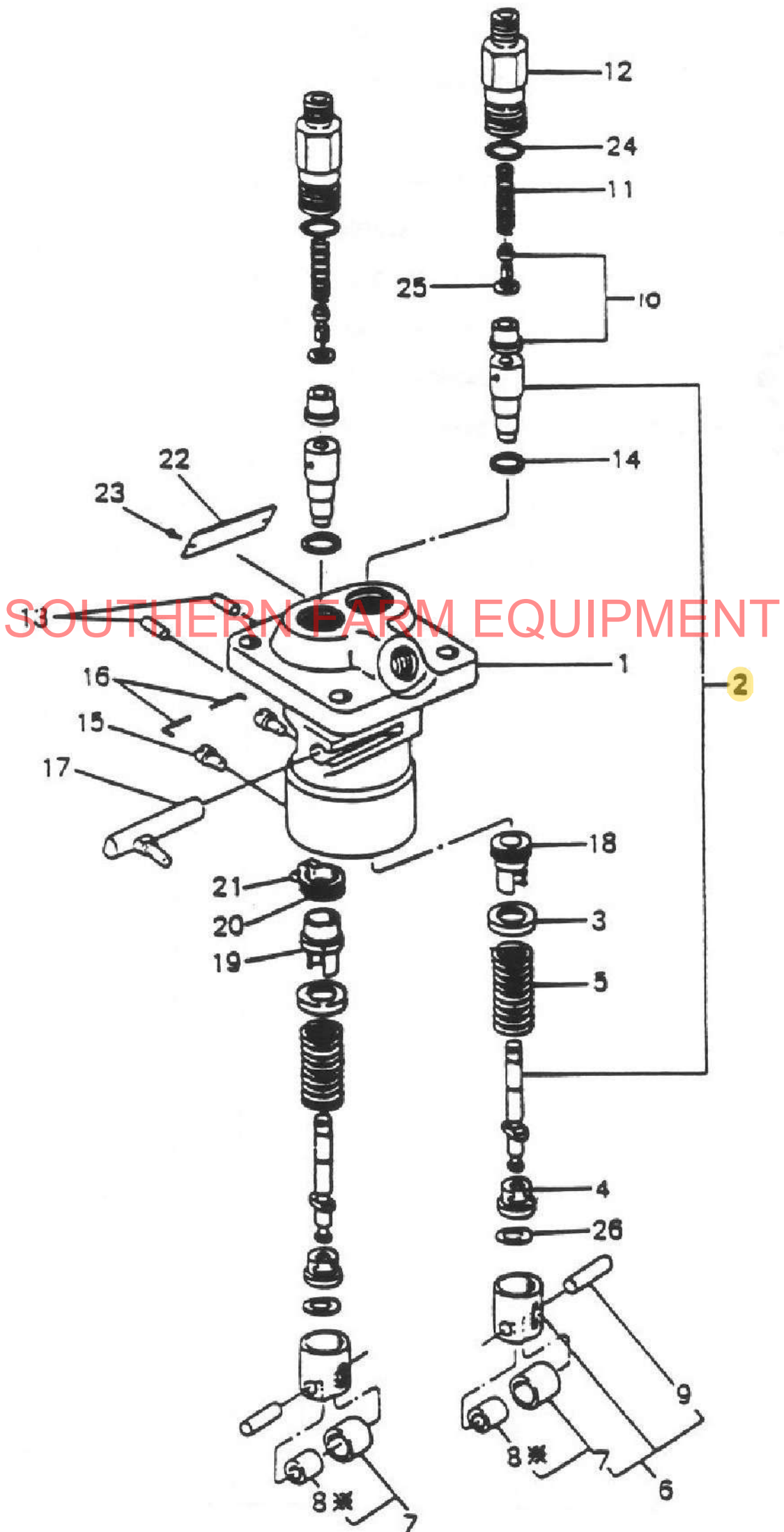
Cooling Water System					Section Code
					42,44,49
Item No.	Part Name	Part Number	Qty/ Unit		Remarks
			2TR17A	2TR20A	
23	Pipe (A), cooling water (cyl. – radiator)	124460-49010	1	1	
24	Clamp, 38	23010-038000	4	6	For pump cooling water
25	Radiator, w stud Radiator, w/stud	124460-44500 124460-44501		1 1	
26	Stud	124460-44850	2	2	Radiator fitting
27	Cap, radiator	121120-44590	1	1	Old. No. 124450-44590
28	Sub-Tank Assembly, radiator	124450-44510	1	1	
29	Band, sub-tank assembly	124450-44550	1	1	
30	Screen, radiator	124460-44580	1	1	
31	Shock absorber, radiator	124450-44650	2	2	
32	Lock Nut, plated, M8	26757-080002	4	4	Radiator fitting
33	Pipe (B), cooling water, (radiator-pump) Pipe (B), cooling water, (radiator-cyl.)	124761-49020 124465-49020		1 1	
34	Pipe (C), cooling water, (pump – cyl.)	121250-49030		1	
35	Stay, radiator	124460-44600	1	1	
36	Bolt, plated, M6 x 20	26116-060202	1	1	
37	Washer, M6	22137-060000	1	1	NLA
38	Lock Nut, radiator steady rod	124450-44610	1	1	
39	Plate, shelter	124764-44690	1	1	
40	Mount, cooling fan	129460-44600	1		
41	Bolt, M8 x 50	26116-080502	1		
42	Bolt, M8 x 45	26116-080452	3		
43	3-Way Cock Body	121250-49100		1	
44	Drain P. Joint	121250-49110		1	
45	Drain Pipe, (radiator to 3-way cock)	124460-49150	1	1	7/20 x 200 121250-49160
46	Drain Plug, (block to 3 way cock)	124761-49160		1	7/12 x 360
47	Plug, M14 x 1.5	121250-49120	1	1	

Cooling Water System					Section Code
					42,44,49
Item No.	Part Name	Part Number	Qty/ Unit		Remarks
			2TR17A	2TR20A	
48	Lock Nut, M16 x 1.5	26777-160002	1	1	3-way cock fitting For drain pipe, block to 3 way cock NLA
49	Washer, M16	22117-160000	1	1	
50	Packing, 14	124450-01980	1	2	
51	Hose Band	124460-59050	2	4	
52	Body, 3-way cock	124460-49100	1		
53	Steady Rest, drain pipe	124761-49200		1	
54	Washer, plain, M8	22137-080000		1	
55	Bearing, cooling fan	124460-44240	1		
56	Circlip, cooling fan	124250-42170	1		
57	Flange, cooling fan driving V-pulley	124450-44470	1		

SOUTHERN FARM EQUIPMENT

15

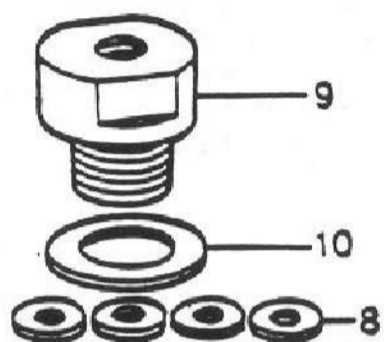
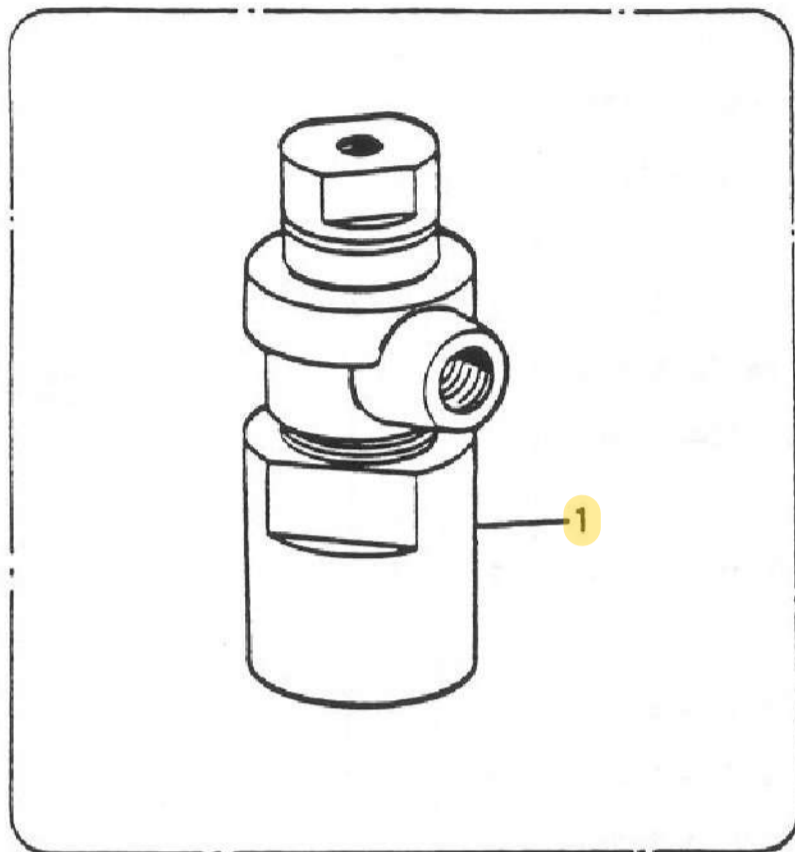
FUEL INJECTION PUMP



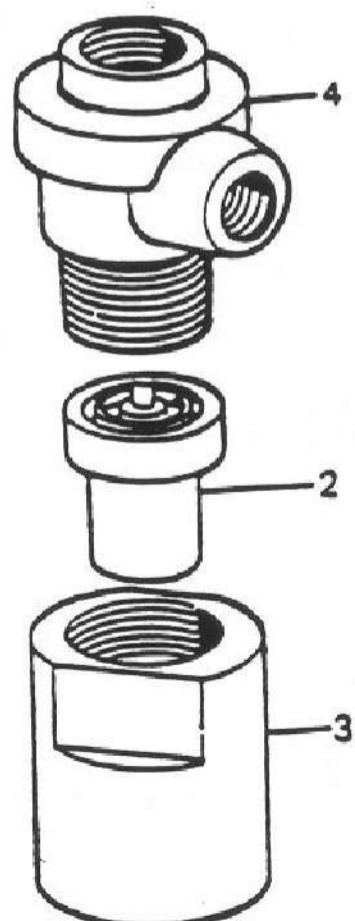
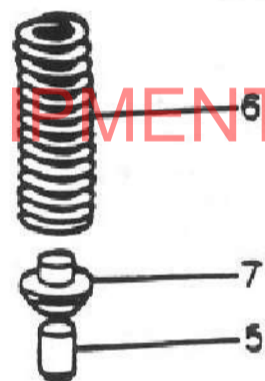
Fuel Injection Pump					Section Code
					51
Item No.	Part Name	Part Number	Qty/ Unit		Remarks
			2TR17A	2TR20A	
1	Pump Assembly, fuel injection Pump Assembly, fuel injection	724761-51701 724460-51701		1	
2	Plunger and Barrel	124240-51100	2	2	
3	Retainer, plunger spring	174307-51170	2	2	
4	Retainer, plunger spring	174307-51180	2	2	
5	Spring, plunger	174307-51190	2	2	
6	Guide, plunger	124550-51200	2	2	
7	Roller, plunger guide outer	711100-51540	2	2	
8	Roller, plunger guide inner	*	2	2	
9	Pin, plunger guide roller	174100-54120	2	2	
10	Valve, delivery	124550-51301	2	2	
11	Spring, delivery valve	124550-51320	2	2	
12	Holder, delivery valve	124550-51341	2	2	
13	Pin, plunger barrel stopping	174307-51250	2	2	
14	Packing, plunger barrel	174307-51270	2	2	
15	Stopper, plunger guide	174307-51450	2	2	
16	Pin, lock screw	174307-51460	2	2	
17	Rack Assembly, fuel control	724240-51530	1	1	
18	Pinion (A), fuel control	174307-51510	1	1	
19	Sleeve, (B), fuel control pinion	174307-51550	1	1	
20	Pinion (B), fuel control	174307-51560	1	1	
21	Lock Screw, fuel control	122117-51560	1	1	
22	Label, fuel injection	124761-51920 124460-51920		1	
23	Rivet	22624-230030	2	2	
24	O-ring	124550-51370	2	2	
25	Packing, delivery valve seat	124550-51350	2	2	
26	Shim, plunger position adjusting	174307-51700	2	2	

16

FUEL INJECTION VALVE



SOUTHERN FARM EQUIPMENT

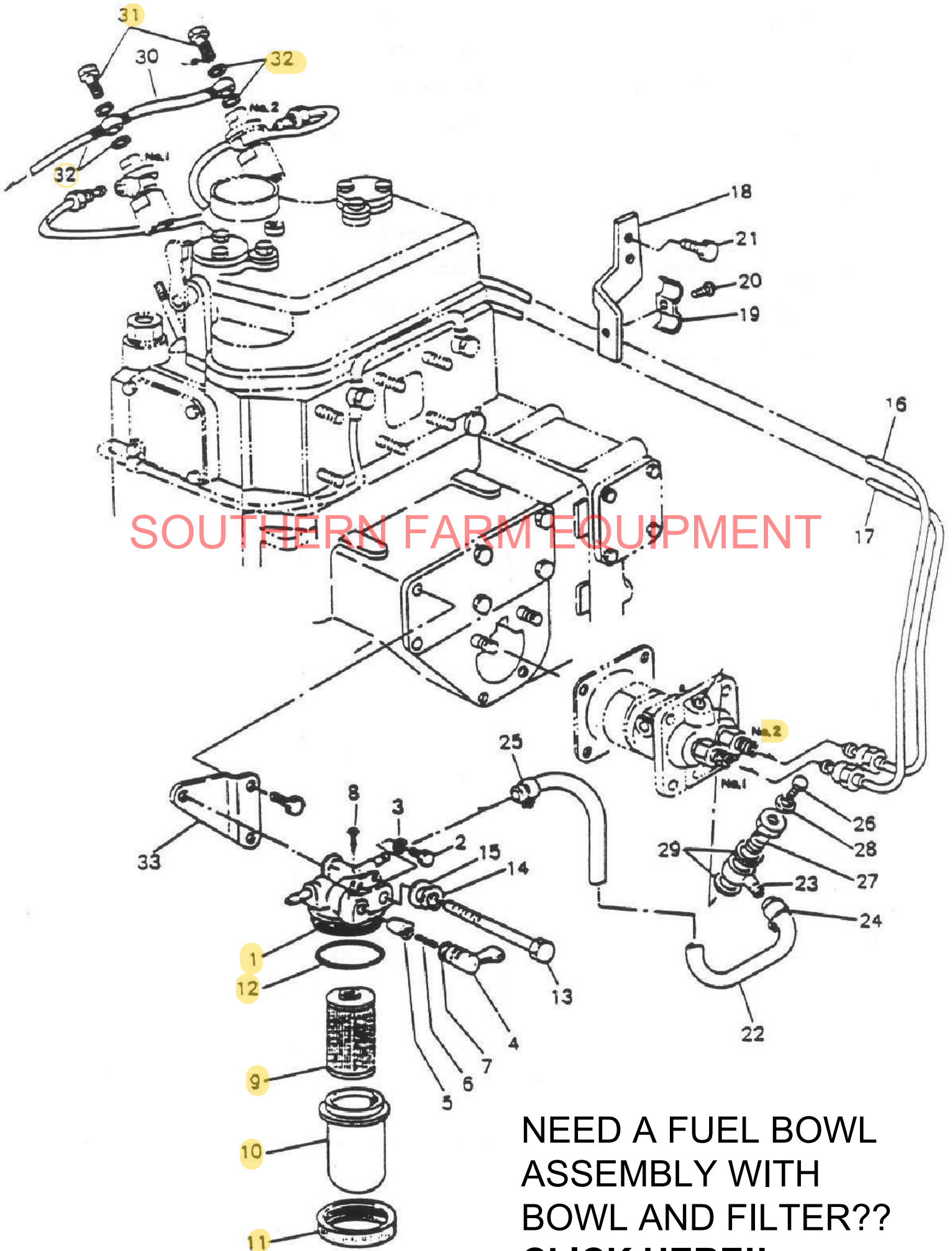


Fuel Injection Valve					Section Code
					53
Item No.	Part Name	Part Number	Qty/ Unit		Remarks
			2TR17A	2TR20A	
1	Valve Assembly, fuel injection	724450-53100	2	2	
2	Valve, with case	172100-53000	2	2	
3	Nut, valve fitting	104900-53080	2	2	
4	Body, valve holder	103200-53110	2	2	
5	Spindle, inter	113200-53120	2	2	
6	Spring, valve	103854-53120	2	2	
7	Spring Shoe, valve	113200-53120	2	2	
8	Shim, valve spring adjusting	110250-53150	2	2	
9	Retainer, valve spring	103854-53180	2	2	
10	Packing, valve spring retainer	172100-53200	2	2	

SOUTHERN FARM EQUIPMENT

17,18

FUEL OIL SYSTEM



NEED A FUEL BOWL
ASSEMBLY WITH
BOWL AND FILTER??
CLICK HERE!!

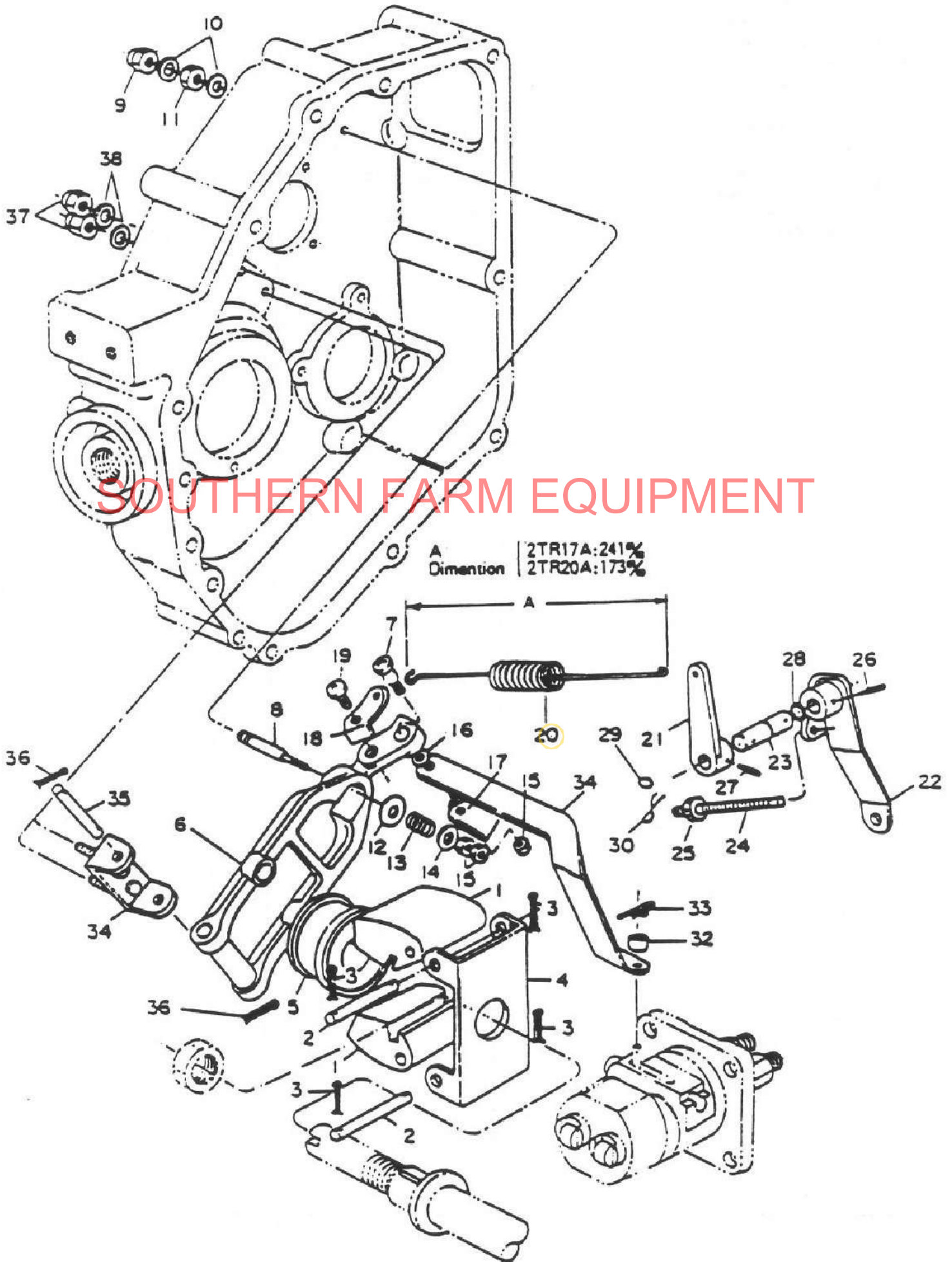
Fuel Oil System					Section Code
					55,59
Item No.	Part Name	Part Number	Qty/	Unit	Remarks
			2TR17A	2TR20A	
	Strainer Assembly, Fuel	724160-55500	1	1	
1	Cock Assembly, fuel	724160-55200	1	1	
2	Plug, fuel straining air venting	101720-55750	2	2	Strainer Assembly, Fuel
3	Packing, strainer	23418-060000	2	2	
4	Handle, fuel cock	104200-55341	1	1	
5	Taper Valve	104200-55321	1	1	
6	Valve Spring	104200-55330	1	1	
7	O-ring, P10A	24311-240100	1	1	For handle cock
8	Lock Screw, cock handle	104200-55750	1	1	
9	Element, fuel strainer	104500-55710	1	1	
10	Bowl, fuel strainer	104500-55510	1	1	124064-55510
11	Retainer, fuel element	110250-55610	1	1	
12	Packing, fuel strainer cover	102103-55520	1	1	
13	Bolt, plated, M8 x 65	26117-080652	1	1	Strainer fitting
14	Spring Washer, 8	22212-080000	1	1	
15	Washer, plain, 8	22137-080000	1	1	NLA
16	Pipe, fuel injection No. 1 cyl.	124465-59800	1	1	Strainer fitting
17	Pipe, fuel injection No. 2 cyl.	124465-59810	1	1	
18	Clamp (A), fuel injection pipe	124756-59850	1	1	
19	Clamp (B), fuel injection pipe	124450-59860	1	1	
20	Screw, plated, M6 x 8	26557-060082	1	1	
21	Bolt, plated, M6 x 10	26117-060102	1	1	
22	Pipe, fuel, strainer-inj. pump	121250-59080	1	1	
23	Joint, swivel pipe	124250-59260	1	1	
24	Clamp	124460-59050	1	1	
25	Clamp	124460-59060	1	1	
26	Plug, air venting	124060-59380	1	1	

Fuel Oil System					Section Code
					55,59
Item No.	Part Name	Part Number	Qty/	Unit	Remarks
			2TR17A	2TR20A	
27	Bolt, pipe joint w/air vent	124060-59391	1	1	
28	Packing, air venting plug	43400-500390	1	1	
29	Packing, copper, 12	23414-120000	2	2	
30	Pipe, fuel return	124550-59500	1	1	
31	Bolt, swivel pipe joint	101147-59810	2	2	
32	Packing, copper, 8	23414-080000	4	4	
33	Bracket, strainer	124465-55610	1	1	

SOUTHERN FARM EQUIPMENT

19,20

GOVERNOR EQUIPMENT

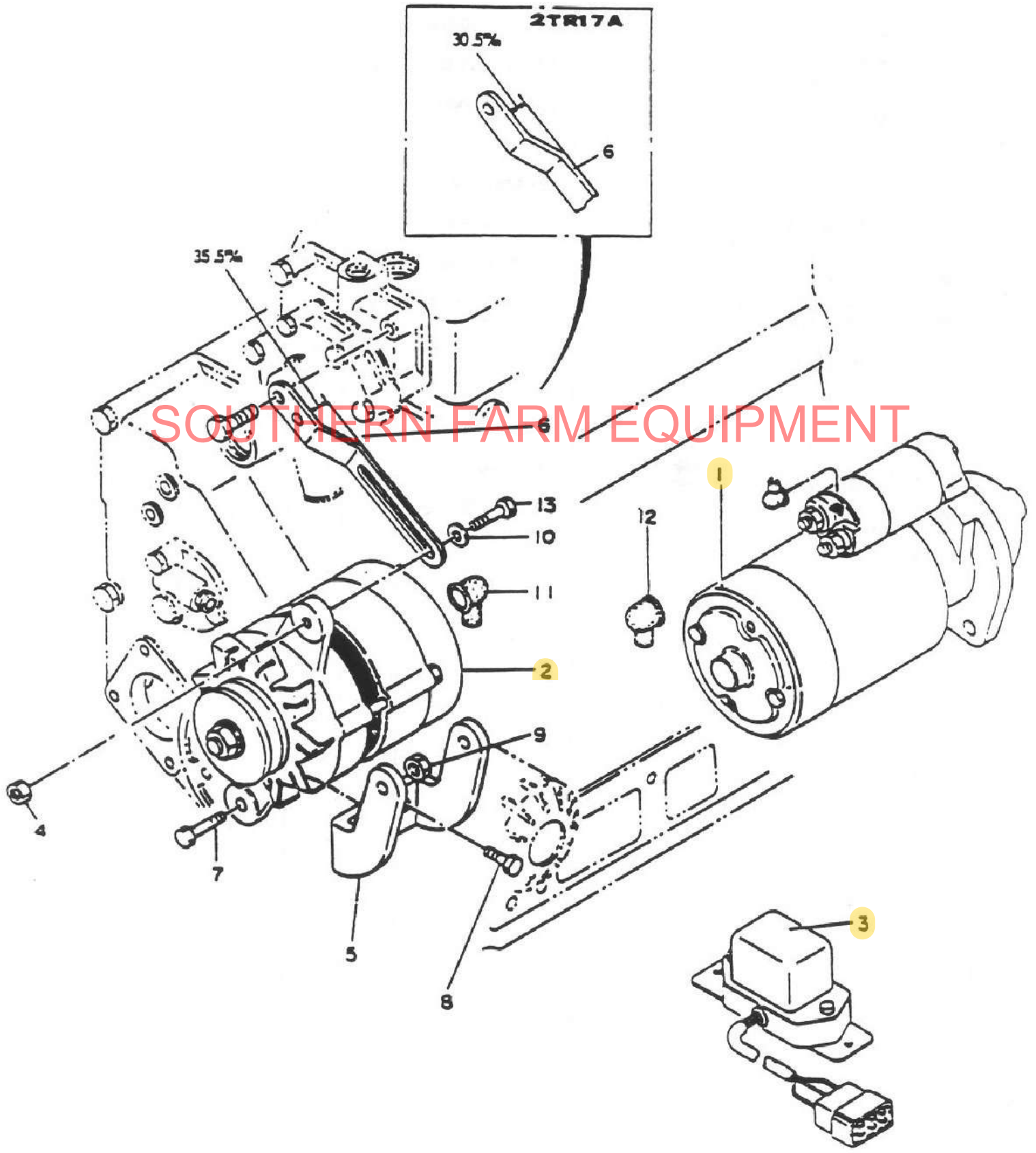


SOUTHERN FARM EQUIPMENT

Governor System					Section Code
					61,66
Item No.	Part Name	Part Number	Qty/	Unit	Remarks
			2TR17A	2TR20A	
	Support Ass'y, governor weight	724450-61520	1	1	
1	Weight, governor	124450-61200	2	2	
2	Pin, governor weight	124450-61220	2	2	Pin governor weight
3	Cotter Pin, 2 x 10	22411-200100	4	4	
4	Support, governor weight	124450-61110	1	1	
5	Sleeve, governor	124550-61600	1	1	
6	Lever, governor w/steel ball	124460-66611	1	1	
7	Screw, governor link connecting	124450-66411	1	1	
8	Shaft, fuel injection limiting with torque spring	124450-66822	1	1	
9	Cap Nut, M8	26667-080002	1	1	
10	Seal Washer	43400-500410	2	2	Shaft, injection
11	Lock Nut, plated, M8	26757-080002	1	1	Injection control shaft fitting
12	Spring Shoe, fuel inj. limiting	124450-66850	1	1	
13	Spring, fuel injection limiting	124460-66810	1	1	
14	Spring Washer, (B), fuel injection timing	124460-66850	1	1	
15	Lock Nut, plated, M5	26757-050002	3	3	Retainer, injection control Governor link tightening
16	Spacer, governor link tightening	124450-66430	1	1	
17	Lock Washer, governor link	124460-66440	1	1	
18	Fittings, regulator spring connecting screw	124450-66460	1	1	
19	Screw, M6 x 8	26557-060082	1	1	Regulator spring set plate fitting
20	Spring, regulator	124765-66010 124465-66010	1 1	1	
21	Lever, regulator	124450-66090	1	1	
22	Handle, regulator	124450-66050	1	1	
23	Shaft, regulator handle	124450-66040	1	1	
24	Bolt, regulator handle adjusting	124550-66420	1	1	
25	Lock Nut, adjusting bolt	124450-66370	1	1	

Governor System					Section Code
					61,66
Item No.	Part Name	Part Number	Qty/ Unit		Remarks
			2TR17 A	2TR20 A	
26	Taper Pin, 3 x 18	22322-030180	1	1	Handle, regulator
27	Taper Pin, 3 x 16	22322-030160	1	1	Lever, regulator
28	O-ring, P7	24311-000070	1	1	Shaft, regulator handle
29	Lead, sealing	135210-61090	1	1	
30	Wire, 1.0	22451-100000	1	1	
31	Link, governor	124465-66400	1	1	
32	Spacer, governor link steady rest	124450-66420	1	1	
33	Snap Pin	22360-060000	1	1	
34	Support, governor lever	124450-66510	1	1	
35	Pin, governor lever	124450-66550	1	1	
36	Cotter pint, 2 x 10	22411-200100	2	2	Pin, governor lever
37	Cap Nut, governor lever support, M6	26657-060002	2	2	
38	Seal Washer	43400-500400	2	2	Governor lever support fitting

ELECTRIC STARTING EQUIPMENT



Electric Starting System					Section Code
					77
Item No.	Part Name	Part Number	Qty/ Unit		Remarks
			2TR17A	2TR20A	
1	Motor, starting	124450-77010	1	1	
2	Generator, charging	124756-77200	1	1	
3	Regulator	124550-77710	1	1	
4	Lock Nut, plated, M8	26757-080002	1	1	
5	Bracket, generator	124450-77250	1	1	
6	Adjuster, belt	121250-77330 124460-77330	1	1	
7	Bolt, plated, M8 x 30	26117-080302	2	2	Generator fitting
8	Bolt, plated, M8 x 18	26117-080182	2	2	Generator bracket fitting
9	Nut, plated, M8	26717-080002	2	2	NLA
10	Washer, plain, 8	22137-080000	1	1	(NLA)Generator set tightness, Belt adjuster
11	Cover, terminal to starter	124550-77030	1	1	
12	Cap, generator	124756-77040	1	1	
13	Bolt, M8 x 40	26117-080402	1	1	Generator safety cover stay

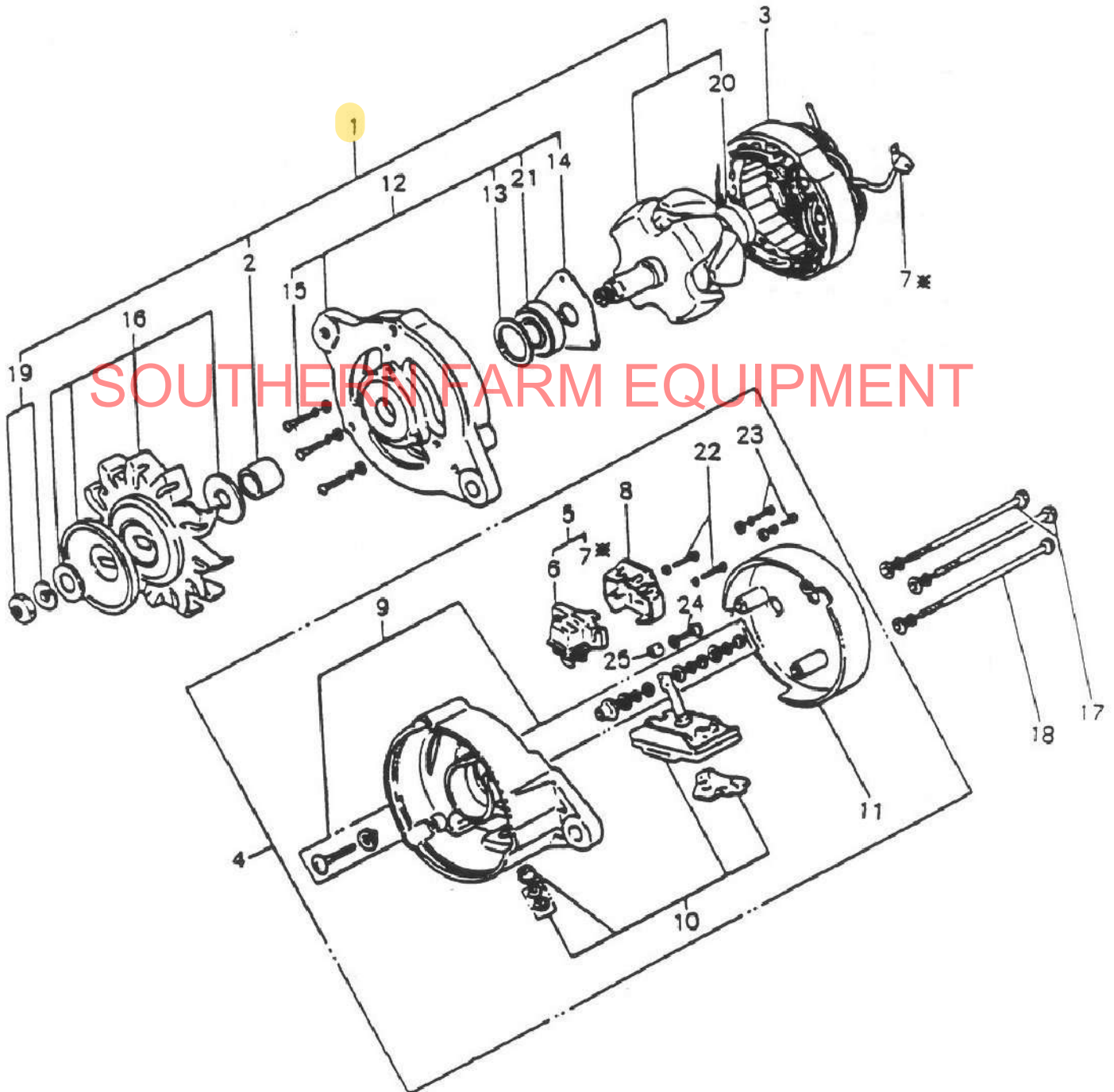
Starting Motor					Section Code
					77
Item No.	Part Name	Part Number	Qty/	Unit	Remarks
			2TR17A	2TR20A	
	Starting Motor, S114-146	124450-77010	1	1	
1	Armature assembly	2114-9001	1	1	
2	Thrust Washer Kit	2114-8110	1	1	
3	Thrust Washer (B)	*	3	3	
4	Thrust Washer (C)	*	1	1	
5	E-ring	*	1	1	
6	Stopper Set, pinion	2114-7155	1	1	
7	Stopper, pinion	*	1	1	
8	Circlip, pinion	*	1	1	
9	Yoke Assembly	*	1	1	
10	Field Coil Assembly	2114-82001	1	1	
11	Screw, pole core	2114-7215	4	4	
12	Cover Assembly, rear	2114-23001	1	1	
13	Brush, (+)	2114-5312	2	2	
14	Brush (-)	2114-5313	2	2	
15	Spring, brush	2114-4314	4	4	
16	Brush, rear cover	2114-5352	1	1	
17	Holder Assembly, brush	2114-1360	1	1	
18	Center Plate	2114-3454	1	1	
19	Pinion Assembly	2114-45002	1	1	
20	Gear Case Assembly	2114-86003	1	1	
21	Lever Set, shaft	2114-8652	1	1	
22	Bush, gear case	2114-4661	1	1	
23	Lever, shaft	*	1	1	
24	Spring, torsion	*	1	1	

Starting Motor					Section Code
					77
Item No.	Part Name	Part Number	Qty/ Unit		Remarks
			2TR17A	2TR20A	
25	Switch Assembly, magnetic	2114-57001	1	1	2114-87004
26	Bolt	2114-6815	2	2	
27	Screw, 4 diameter	*	2	2	M4 x 0.7 x 12
28	Dust Cover Kit	*	1	1	
29	Dust Cover (A)	*	1	1	
30	Dust Cover (B)	*	1	1	
31	Dust Cover (C)	*	1	1	
32	Dust Cover (D)	*	1	1	
33	Cap	2114-4858	1	1	
34	Cap	2114-5858	1	1	
35	Bolt, 6 diameter	*	2	2	M6 x 1.0 x 32

SOUTHERN FARM EQUIPMENT

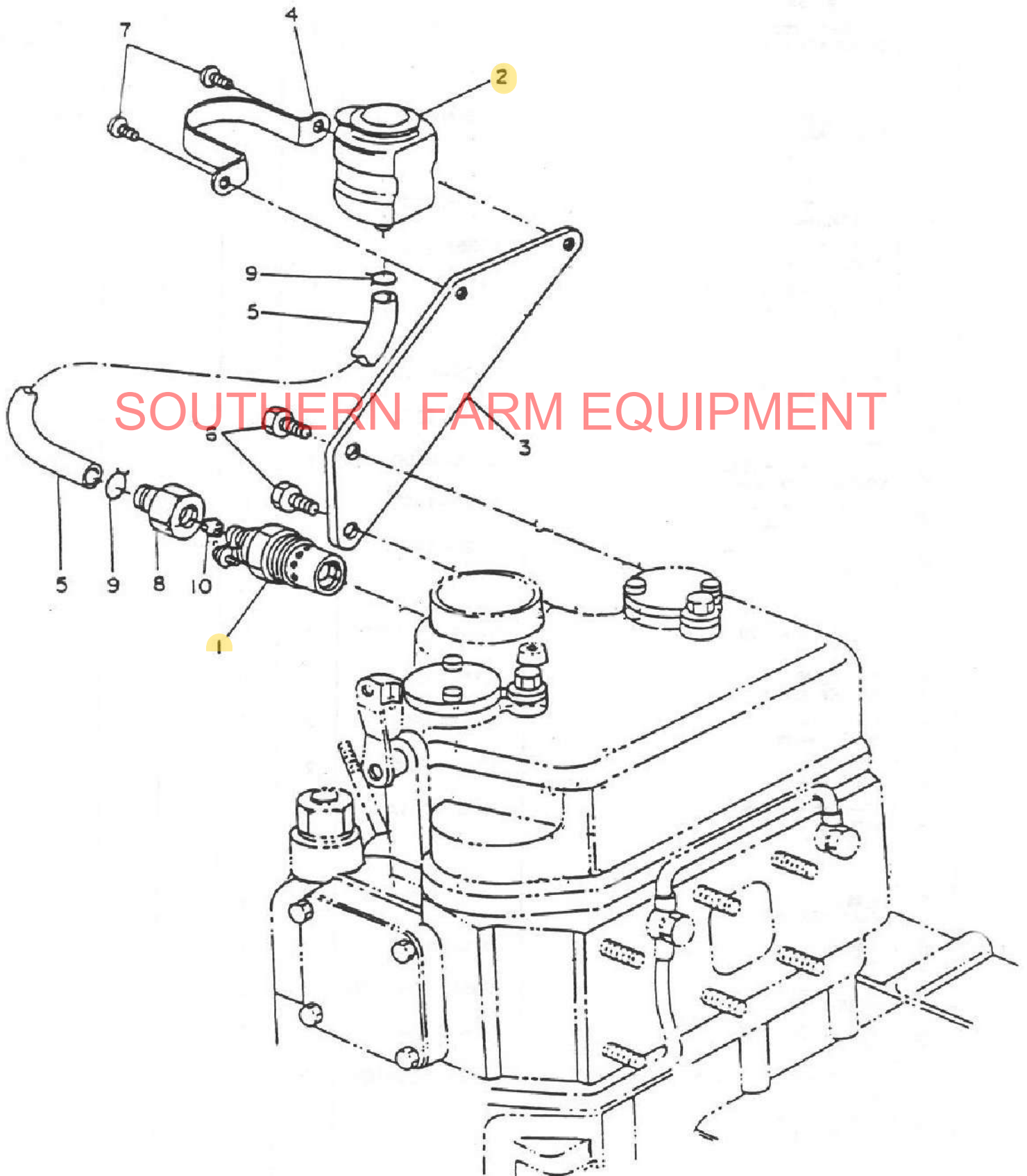
24

GENERATOR



AC Generator 12V-15A					Section Code
Type LT115-52					77
Item No.	Part Name	Part Number	Qty/ Unit		Remarks
			2TR17A	2TR20A	
	AC Generator with Coupler	124756-77200	1	1	
1	Rotor Assembly	LT115-7100	1	1	
2	Spacer	*	1	1	
3	Stator Assembly	L135N-220	1	1	
4	Cover Assembly, rear	L115-6300	1	1	
5	Brush Assembly	L135N-1301	1	1	
6	Holder, brush	*	1	1	Order Brush Assembly
7	N-Terminal	L135N-1302	1	1	
8	Cover, brush	L135N-1303	1	1	
9	Bolt Assembly, terminal	L125-5310A	1	1	
10	Diode Assembly	L125-6320	1	1	
11	Cover	L115-2803	1	1	
12	Cover Assembly, front	L115-6400	1	1	
13	Retainer, packing	L120-1403	1	1	
14	Retainer, bearing	L120-1404	1	1	
15	Screw, M4 x 20	26557-040202	3	3	
16	Pulley Assembly	L115-1552	1	1	
17	Bolt, through	L125-1801	2	2	
18	Bolt, through	L125-1802	2	2	
19	Nut Assembly, pulley	B-444001A	1	1	
20	Ball Bearing	6201 SD	1	1	
21	Ball Bearing	6202 B	1	1	
22	Screw, M4 x 20	26557-040202	2	2	
23	Screw, M4 x 8	26557-040082	3	3	
24	Bolt, M5 x 16	26117-050169	1	1	
25	Spacer (E)	L115-1341	1	1	

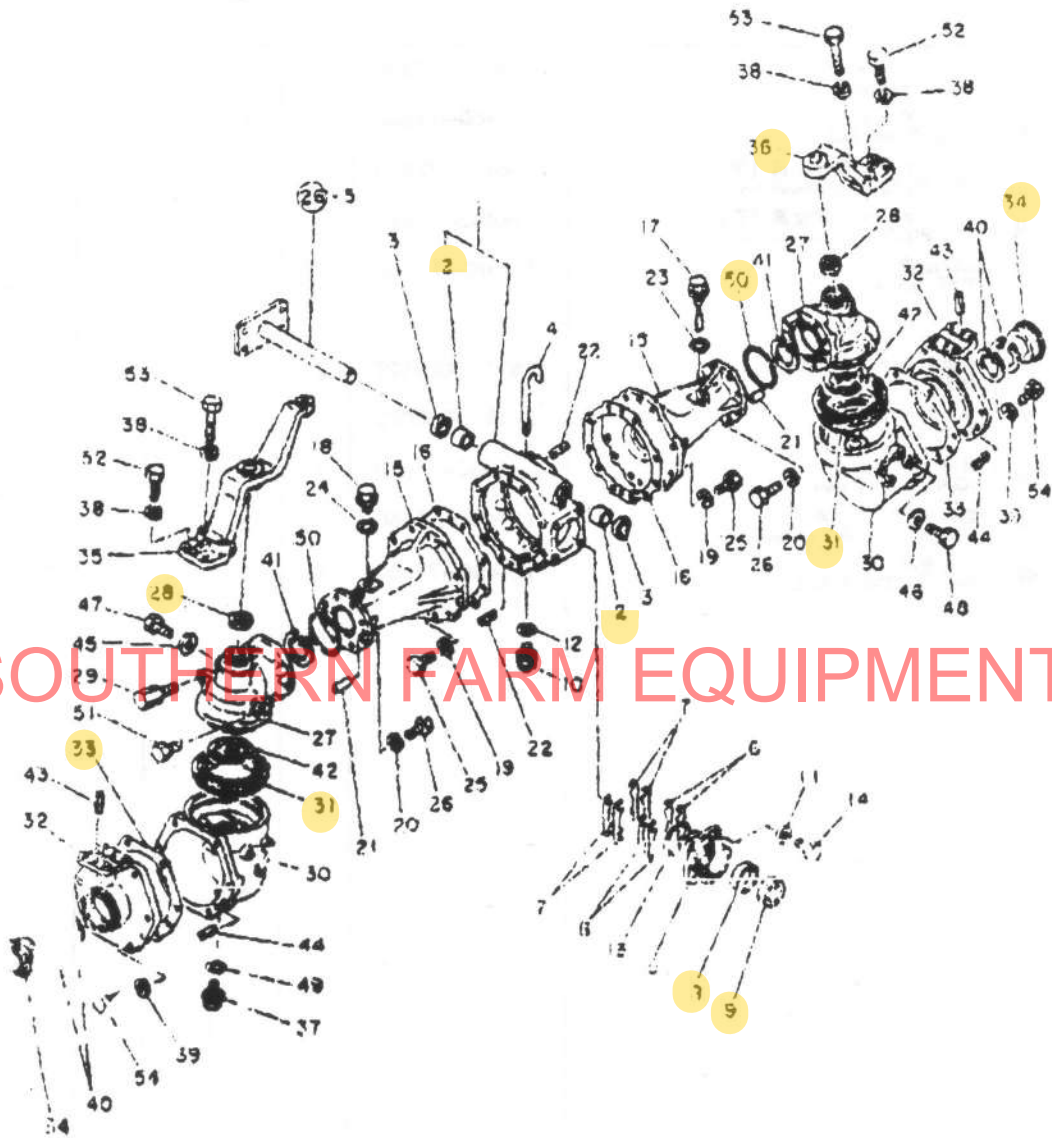
Thermostart Equipment (Optional)



Thermostart Equipment (Optional)					Section Code
					77
Item No.	Part Name	Part Number	Qty/ Unit		Remarks
			2TR17A	2TR20A	
1	Plug, thermostart	124450-77910	1	1	
2	Head Tank Assembly	124460-77802	1	1	
3	Set Piece (A), header tank	124460-77810	1	1	
4	Set Piece (B), header tank	124460-77820	1	1	
5	Pipe, fuel oil	124460-77700	1	1	For thermostart 300mm long
6	Bolt, M8 x 12	26117-080129	2	2	
7	Screw, M6 x 8	26557-060082	2	2	
8	Joint, fuel oil pipe	124460-77660	1	1	Thermostart plug side
9	Spring, fuel oil pipe holder	124460-77680	2	2	
10	Connecting Piece	124450-77980	1	1	Fuel oil pipe for thermostart

SOUTHERN FARM EQUIPMENT

YM2000D Front Axle Case



NPC-1049

YES Ver2.0
2000-1-14 10:35

(28) フロントアックスケース

Reference	Parts Number	H 部品名称	(A)	(B)	(C)	(D)	(E)	(F)	I	P/U	A
1	194311-13101	センターホックス コンプリート		1							001
2	194311-13420	マキブッシュ		2							
3	194311-13430	オイルシール SC3G 42 B		2							001
4	194311-13440	ブリーク		1							001
5	194311-13450	マニカ		1							001
6	194311-13460	フロントアキストシム A		4							001
7	194311-13470	フロントアキストシム B		4							001
8	194191-13562	カラー 52.4X65X6		1							001
9	194191-13681	オイルシール TC40 55 B		1							001
10	194151-24770	アブラク 14									001
11	22217-080000	ハネクゴネ 3		4							010
12	24311-000160	ワシク 1A P 10.0		1							010
13	24341-000630	ワシク 1A S 63.0		1							010
14	25116-080222	ボルト 8X 22		4							010
15	194311-13611	フロントアックスケース		2							001

SOUTHERN FARM EQUIPMENT

(28) フロントアックスケース

参照	L O	部品番号	H 部品名称	(A)	(B)	(C)	(D)	(E)	(F)	I	P	B	A
16	1	194311-13620	フロントアックスケースハブツケン		2								001
		<1>											
		<2>											
17	1 *	194311-13630	ケンユプラグ			1							001
		<1>											
		<2>											
17-	1 1	194311-13631	プラグ 20(ケンユ			1							N 001
		<1>	FXXXXX										
		<2>											
18	1	194145-48370	メクラセン 20			1							001
		<1>											
		<2>											
19	1	22217-100000	1 ハネサガネ 10			20							010
		<1>											
		<2>											
20	1	22217-100000	2 ハネサガネ 10			16							010
		<1>											
		<2>											
21	1	22312-100180	ヘイコリピン 10X18			4							010
		<1>											
		<2>											
22	1	22351-080020	スプリングピン 8.0AX 20			4							001
		<1>											
		<2>											
23	1	24311-000220	1 オリング 1A P 22.0			1							010
		<1>											
		<2>											
24	1	24311-000220	2 オリング 1A P 22.0			1							010
		<1>											
		<2>											
25	1	26116-100252	ホルト 10X 25			20							010
		<1>											
		<2>											
26	1	26116-100282	ホルト 10X 28			16							010
		<1>											
		<2>											
27	1	194311-13710	フロントキヤケース			2							001
		<1>											
		<2>											
28	1	194311-13720	オイルシール TC25 40 7			2							001
		<1>											
		<2>											
29	1	194311-13730	ストツパホルト			2							Z 001
		<1>	FXXXXX										
		<2>											

SOUTHERN FARM EQUIPMENT

00-01-14 13:33 R. S. ENTERPRISE, LTD 06-686-0230

P.4

YES Ver2.0
2000-1-11 17:05

参照	L O	部品番号	II 部品名称	(A)	(B)	(C)	(D)	(E)	(F)	I P. U. A
30	1	194311-13750	フロントキヤケース		2					001
		<1>								
		<2>								
30-	1 1	194311-13751 FXXXXX	フロントキヤケース		2					S 001
		<1>								
		<2>								
31	1	194311-13760	GS TCS 115 145 13.5		2					001
		<1>								
		<2>								
32	1	194311-13771	フロントハブリングケース		2					001
		<1>								
		<2>								
33	1 *	194311-13780	ハブリングケースバツキン		2					001
		<1>								
		<2>								
33-	1 1	194302-13780 FXXXXX	バツキン(ハブリングケース)		2					N 001
		<1>								
		<2>								
34	1	194311-13790	オイル-ATCFY50 68 14.3		2					001
		<1>								
		<2>								
35	1	194311-13810	キングピンボルト L		1					001
		<1>								
		<2>								
36	1	194311-13820	キングピンボルト R		1					001
		<1>								
		<2>								
37	1	194145-48370	スプリング 20		2					001
		<1>								
		<2>								
37-	1 1	194151-24770 FXXXXX	スプリング 14		2					S 001
		<1>								
		<2>								
38	1	22217-100000	ハブボルト 10		8					010
		<1>								
		<2>								
39	1	22217-120000	ハブボルト 12		12					010
		<1>								
		<2>								
40	1	22252-000680	ボルト(T) 68		4					010
		<1>								
		<2>								
41	1	22252-000720	ボルト(T) 72		2					010
		<1>								
		<2>								

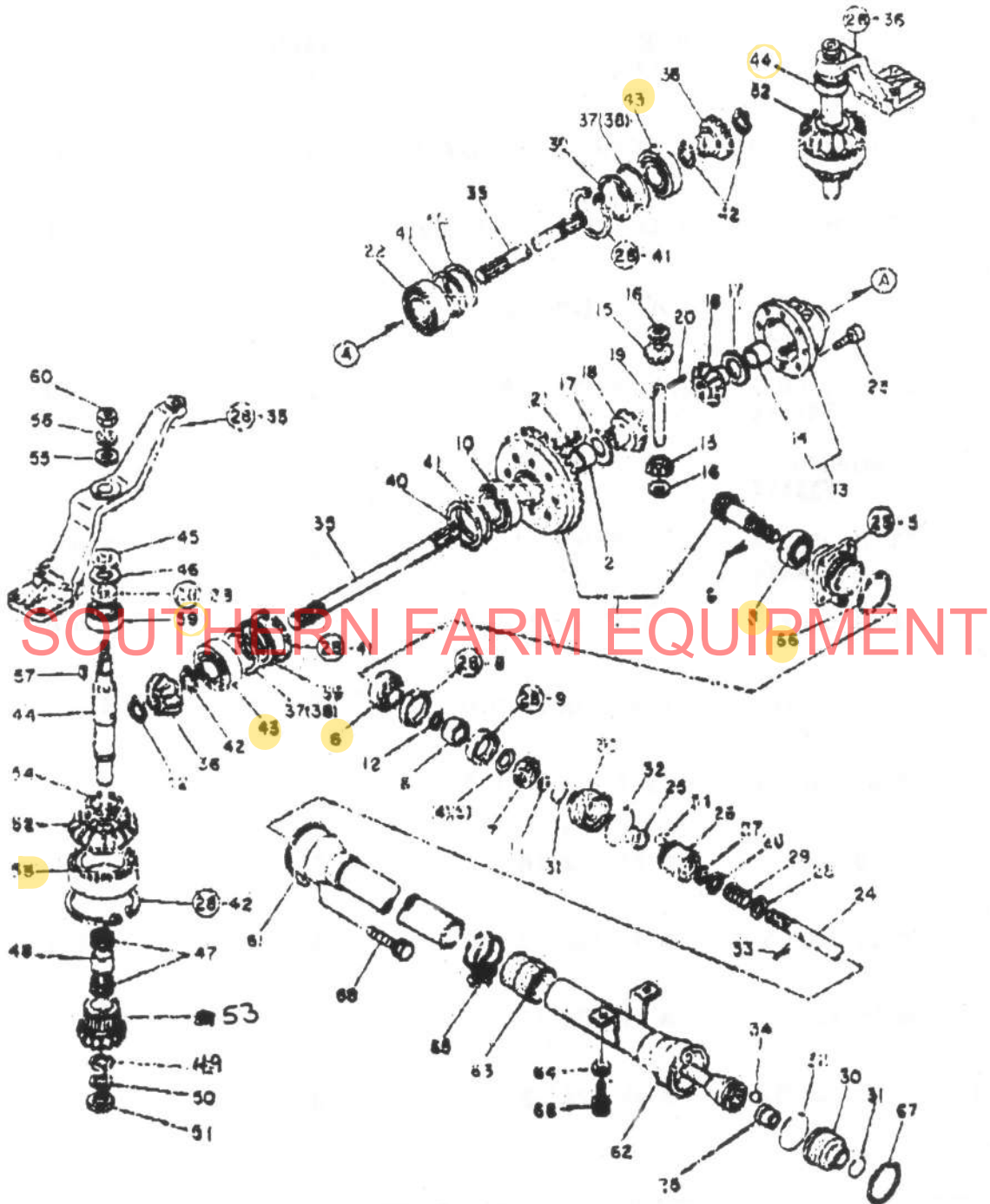
SOUTHERN FARM EQUIPMENT

YES Ver2.0
2000-1-14 10:35

(28) フロントアックスケース

参照	L O	部品番号	H 部品名称	(A)	(B)	(C)	(D)	(E)	(F)	P/U	A
42	1	22252-001000	トリアク(アキ 100		2					010	
		<1>									
		<2>									
43	1	22351-080020	1 スプリングピシ 8.0AX 20		4					001	
		<1>									
		<2>									
44	1	22351-080020	2 スプリングピシ 8.0AX 20		4					001	
		<1>									
		<2>									
45	1	23414-080012	1 バツキン(コマ) 8		2					Z 010	
		<1>	FXXXXX								
		<2>									
46	1	23414-080012	2 バツキン(コマ) 8		2					Z 010	
		<1>	FXXXXX								
		<2>									
47	1	23881-080002	1 6カブ ラク 8		2					Z 001	
		<1>	FXXXXX								
		<2>									
48	1	23881-080002	2 6カブ ラク 3		2					Z 001	
		<1>	FXXXXX								
		<2>									
49	1	24311-000220	リング 1A P 22.0		2					010	
		<1>									
		<2>									
49-	1 1	24311-000160	リング 1A P 16.0		2					S 010	
		<1>	FXXXXX								
		<2>									
50	1	24321-000850	リング 1A S 85.0		2					010	
		<1>									
		<2>									
51	1	26116-100162	ボルト 10X 16		2					010	
		<1>									
		<2>									
52	1	26116-100302	ボルト 10X 30		4					010	
		<1>									
		<2>									
53	1	26116-100452	ボルト 10X 45		4					010	
		<1>									
		<2>									
54	1	26116-120352	ボルト 12X 35		12					010	
		<1>									
		<2>									

Ring-Gear



NPC-1049

YES Ver2.0
2000-1-14 10:36

(30) リンクキヤ

A=YM1700D
B=YM2000D
C=

D=
E=
F=

Reference	Parts Number	H 部品名称	(A)	(B)	(C)	(D)	(E)	(F)	I	P/U	A
参照	1 0 部品番号										
	1 194311-13100	リンクキヤ コンブリート		1							001
	<1>										
	<2>										
	1-1 1 194311-13101	リンクキヤ CMP		1							001
	<1> FXXXXX										
	<2>										
	2 2 194190-31490	ボクソシユ		1							001
	<1>										
	<2>										
	3 1 194311-13130	ボツチヨウセイシム A		1							001
	<1>										
	<2>										
	4 1 194311-13140	ボツチヨウセイシム B		1							001
	<1>										
	<2>										
	5 1 194311-13150	ボツチヨウセイシム C		1							001
	<1>										
	<2>										
	6 1 194191-13530	テ-パ-ローラ-アリンク		2							001
	<1>										
	<2>										
	7 1 194191-13540	ボクソシユ		1							001
	<1>										
	<2>										
	8 1 194191-13671	ボクソシユ 28X40X12		1							001
	<1>										
	<2>										
	9 1 * 22417-250500	ボクソシユ 2.5X 50		1							001
	<1>										
	<2>										
	9-1 1 22417-250400	ボクソシユ 2.5X 40		1							N 001
	<1> FXXXXX										
	<2>										
	10 1 24101-060094	ボクソシユ 6009		1							001
	<1>										
	<2>										
	11 1 24311-000210	ボクソシユ 1A P 21.0		1							010
	<1>										
	<2>										
	12 1 24341-000250	ボクソシユ 1A S 25.0		1							001
	<1>										
	<2>										
	13 1 194190-32100	ボクソシユ		1							001
	<1>										
	<2>										

SOUTHERN FARM EQUIPMENT

28-42 22252-001000 lip

Y.F.S. Ver.2.0
2000-1-14 10:36

(30) リンダキヤ

A=YM1700D
B=YM2000D
C=
D=
E=
F=

参照	L	O	部品番号	H	部品名称	(A)	(B)	(C)	(D)	(E)	(F)	P/U	A
14	2		194190-31490		デフアッスム		1					001	
			<1>										
			<2>										
15	1		194740-10850		デフピニオン		2					001	
			<1>										
			<2>										
16	1		194740-10870		デフピニオンライナ		2					002	
			<1>										
			<2>										
17	1		194740-10860		デフピニオンライナ		2					001	
			<1>										
			<2>										
18	1		194190-31510		デフサイドキヤ		2					001	
			<1>										
			<2>										
19	1		194190-31820		デフピニオンシャフト		1					001	
			<1>										
			<2>										
19	1	1	194420-31820 FXXXXX		デフピニオンシャフト		1					S 001	
			<1>										
			<2>										
20	1		22351-040025		スプリング 11.0AX 25		1					010	
			<1>										
			<2>										
21	1		22351-060015		スプリング 8.0AX 18		2					010	
			<1>										
			<2>										
22	1		24101-060094		スプリング 6009		1					001	
			<1>										
			<2>										
23	1		26450-080202		6カクナボルト 8X 20		6					010	
			<1>										
			<2>										
24	1		194241-13301		ブッシュシャフト CMP		1					001	
			<1>										
			<2>										
25	1		194191-13270		スリーブ		2					002	
			<1>										
			<2>										
26	1		194191-13331		カクナボルト B		1					001	
			<1>										
			<2>										
27	1		194191-13340		スプリングシャフト		1					001	
			<1>										
			<2>										

(30) リンダキヤ

A=YM1700D
B=YM2000D
C=

D=
E=
F=

参照	L O	部品番号	H 部品名称	(A)	(B)	(C)	(D)	(E)	(F)	I P U A
28	1	194191-13350	スベ-キ 20.5X30X16		2					002
		<1>								
		<2>								
29	1	194311-13360	テンションスプ リング		1					001
		<1>								
		<2>								
30	1	194191-13370	ゴムブ-ツ		2					001
		<1>								
		<2>								
31	1	194191-13381 FXXXXX	ハリカネ A		2					Z 001
		<1>								
		<2>								
32	1	194150-51620	ワイヤハーネスクランプ B		2					001
		<1>								
		<2>								
32-	1 1	194150-51620 FXXXXX	ワイヤハーネスクランプ B							K 001
		<1>								
		<2>								
33	1	22417-400400	ワリピン 4.0X 40		1					010
		<1>								
		<2>								
34	1	24190-100001	コウキユウ 5/16		1					001
		<1>								
		<2>								
35	1	194311-13510	フロントリンク		2					001
		<1>								
		<2>								
36	1	194311-13520	フロントリンクヒニオン		2					001
		<1>								
		<2>								
37	1	194311-13530	キヤケ-システム A		4					001
		<1>								
		<2>								
38	1	194311-13540	キヤケ-システム B		4					001
		<1>								
		<2>								
39	1	194311-13550	キヤケ-システム		2					001
		<1>								
		<2>								
40	1	194190-31120	アシヤストシステム A		2					001
		<1>								
		<2>								
41	1	194190-31130	アシヤストシステム B		2					001
		<1>								
		<2>								

A=YM1700D
B=YM2000D
C=

D=
E=
F=

参照	L	部品番号	H 部品名称	(A)	(B)	(C)	(D)	(E)	(F)	I	P/C	A
42	1	22242-000240	リブC(ワ) 24		4							010
		<1>										
		<2>										
43	1	24101-062074	スクリュー K207		2							001
		<1>										
		<2>										
44	1	194311-13850	フロントシヤ		2							001
		<1>										
		<2>										
45	1	194311-13860	リンクピソツク A		2							001
		<1>										
		<2>										
46	1	194311-13870	リンクピソツク B		2							001
		<1>										
		<2>										
47	1	194311-13880	スクリュー K28 35 18		4							001
		<1>										
		<2>										
48	1	194311-13890	カマ 28X33.5X22.0		2							001
		<1>										
		<2>										
49	1	194311-13910	スラストワッシャ 28X33.5X2		2							001
		<1>										
		<2>										
50	1	194311-13920	ニードルワッシャ WR28		2							001
		<1>										
		<2>										
51	1	194311-13930	スクリュー 25X35X5		2							001
		<1>										
		<2>										
52	1	194311-13940	フロントシヤ		2							001
		<1>										
		<2>										
53	1	194311-13950	フロントシヤ		2							001
		<1>										
		<2>										
54	1	194311-13960	スクリュー 50		2							001
		<1>										
		<2>										
55	1	22187-160000	サカキ(サカキ 16)		2							010
		<1>										
		<2>										
56	1	22217-160000	サカキ(サカキ 15)		2							010
		<1>										
		<2>										

SOUTHERN FARM EQUIPMENT

YES Ver2.0
2000-1-14 10:36

(30) リンクキキ

A=YM1700D
B=YM2000D
C=
D=
E=
F=

参照	I. O	部品番号	H 部品名称	(A)	(B)	(C)	(D)	(E)	(F)	I	P/U	A
37	1	22512-070220	フェイサー 7X22		2							001
		<1>										
		<2>										
58	1	24101-060134	ヘアリンク 6013		2							001
		<1>										
		<2>										
59	1	24101-062054	ヘアリンク 6205		2							001
		<1>										
		<2>										
60	1	26716-160002	ナット 16		2							010
		<1>										
		<2>										
61	1	194241-14010	シャフトカバー(ヤ)		1							001
		<1>										
		<2>										
61-1	1	194241-14611 FXXXXX	シャフトカバー(ヤ)		1							S 001
		<1>										
		<2>										
62	1	194241-14640	シャフトカバー(シ)		1							001
		<1>										
		<2>										
62-1	1	194241-14741 FXXXXX	シャフトカバー(シ)		1							S 001
		<1>										
		<2>										
63	1	194311-14650	シャフトカバー(フ)		1							001
		<1>										
		<2>										
64	1	22107-100000	ボルト(コ) 10		2							010
		<1>										
		<2>										
65	1	23010-050000	ホースバンド 50		1							001
		<1>										
		<2>										
66	1	24321 000600 24321-000600	1 Oリング 1A G 60.0		1							010
		<1>										
		<2>										
67	1	24321-000600	2 Oリング 1A G 60.0		1							010
		<1>										
		<2>										
68	1	* 26013-100162	ボルト(コ) 10X 16		3							001
		<1>										
		<2>										
68-1	1	26126-100162 FXXXXX	ボルト(コ) 10X 16		3							N 001
		<1>										
		<2>										

COPYRIGHT (C) YANMAR AGRICULTURAL EQUIPMENT CO., LTD. All rights reserved.

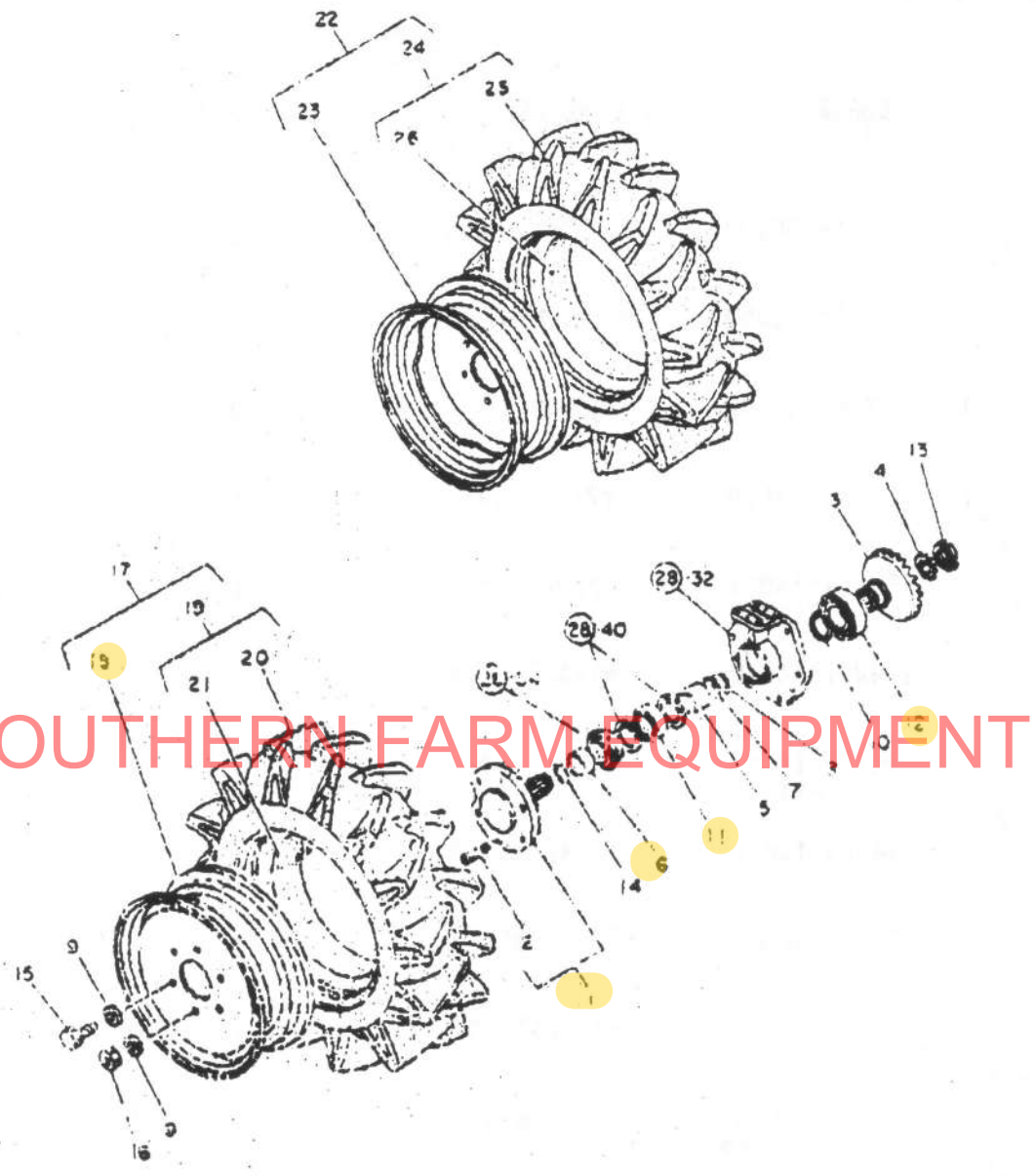
69

22217-100000

3

W 010

32 フロントタイヤ
Front Wheel Tire



NPC-1049

数量	I	O	部品番号	H 部品名称	C=						I	P/U	A
					(A)	(B)	(C)	(D)	(E)	(F)			
1	1	1	194311-14100	フロントシールド コンブ リート		2						001	
			<1>										
			<2>										
1-	1	1	194311-14101 FXXXXX	フロントシールド CMP		2						S 001	
			<1>										
			<2>										
2	2	2	194145-12620	スグットボルト		4						001	
			<1>										
			<2>										
3	1	1	194311-14120	フロントアイトネギヤ		2						001	
			<1>										
			<2>										
3-	1	1	194311-14121 FXXXXX	フロントアイトネギヤ		2						S 001	
			<1>										
			<2>										
			194311-14130	ソクワツシヤ 35		2						001	
			<1>										
			<2>										
5	1	1	194311-14161	カラー 48.6X38.5		2						001	
			<1>										
			<2>										
6	1	1	194311-14171	カラー 40X50Y25		2						001	
			<1>										
			<2>										
6-	1	1	194311-14172 FXXXXX	シールカラー		2						S 001	
			<1>										
			<2>										
7	1	1	194311-14180	アイトネギム A		4						001	
			<1>										
			<2>										
8	1	1	194311-14190	アイトネギム B		4						001	
			<1>										
			<2>										
9	1	1	22217-140000	バネカネ 1-t		4						010	
			<1>										
			<2>										
10	1	1	22242-000550	トメワC(ソク) 55		2						010	
			<1>										
			<2>										
11	1	1	24101-060084	ベアリング 6008		2						001	
			<1>										
			<2>										
12	1	1	24101-052114	ベアリング 6211		2						001	
			<1>										
			<2>										

YES Ver2.0
2000-1-14 10:37

(32) フロントホイール

A=YM1700D
B=YM2000D
C=
D=
E=
F=

参照	L	O	部品番号	H	部品名称	(A)	(B)	(C)	(D)	(E)	(F)	L/P/U	A
13	1		24211-035002		ナット(ベリソク) 35		2						001
			<1>										
			<2>										
14	1		24321-000350		リング 1A G 35.0		2						010
			<1>										
			<2>										
14-1	1		24321-000400		リング 1A G 40.0		2					S	010
			<1> FXXXXX										
			<2>										
15	1		26013-140252		ホルト(ホネ) 14X 25		8						010
			<1>										
			<2>										
16	1		26716-140002		ナット 14		4						010
			<1>										
			<2>										
17	1		794311-14700		フロントホイールタイラックリ シグミ		1						001
			<1>										
			<2>										
17-1	1		794166-14700		フロントホイールタイラックリ シグミ		1					S	001
			<1> FXXXXX										
			<2>										
18	2		194311-14700		ナット DC5JAX14		1						001
			<1>										
			<2>										
19	2		194311-14800		クイヤG-14 コンプレット		1						001
			<1>										
			<2>										
19-1	2		194166-14800		クイヤG-14 CMP		1					S	001
			<1> FXXXXX										
			<2>										
20	3		194311-14810		クイヤ		1						001
			<1>										
			<2>										
20-1	3		194166-14810		クイヤ		1					S	001
			<1> FXXXXX										
			<2>										
21	3		194311-14820		チューブ		1						001
			<1>										
			<2>										
21-1	3		194166-14820		チューブ		1					S	001
			<1> FXXXXX										
			<2>										
22	1		794311-14800		フロントホイールタイラックリ シグミ		1						001
			<1>										
			<2>										

V.F.S Ver2.0
2000-1-14 10:17

(32) 727000(954)

A=YM1700D
B=YM2000D
C=

D=
E=
F=

参照	L	O	部品番号	H	部品名称	(A)	(B)	(C)	(D)	(E)	(F)	コ/ウ	A
22-	1	1	794166-14800 FXXXXX		フロントホイール							1	001
	<1>												
	<2>												
23		2	194311-14700		ホイール DC5JAX14							1	001
	<1>												
	<2>												
24		2	194311-14800		タイヤ-14 コンクリート							1	001
	<1>												
	<2>												
24-	1	2	194166-14800 FXXXXX		タイヤ-14 CMP							1	001
	<1>												
	<2>												
25		3	194311-14810		タイヤ							1	001
	<1>												
	<2>												
26-	1	3	194166-14910 FXXXXX		タイヤ							1	001
	<1>												
	<2>												
26		3	194311-14820		チェーン							1	001
	<1>												
	<2>												
26-	1	3	194166-14820 FXXXXX		チェーン							1	001
	<1>												
	<2>												

SOUTHERN FARM EQUIPMENT