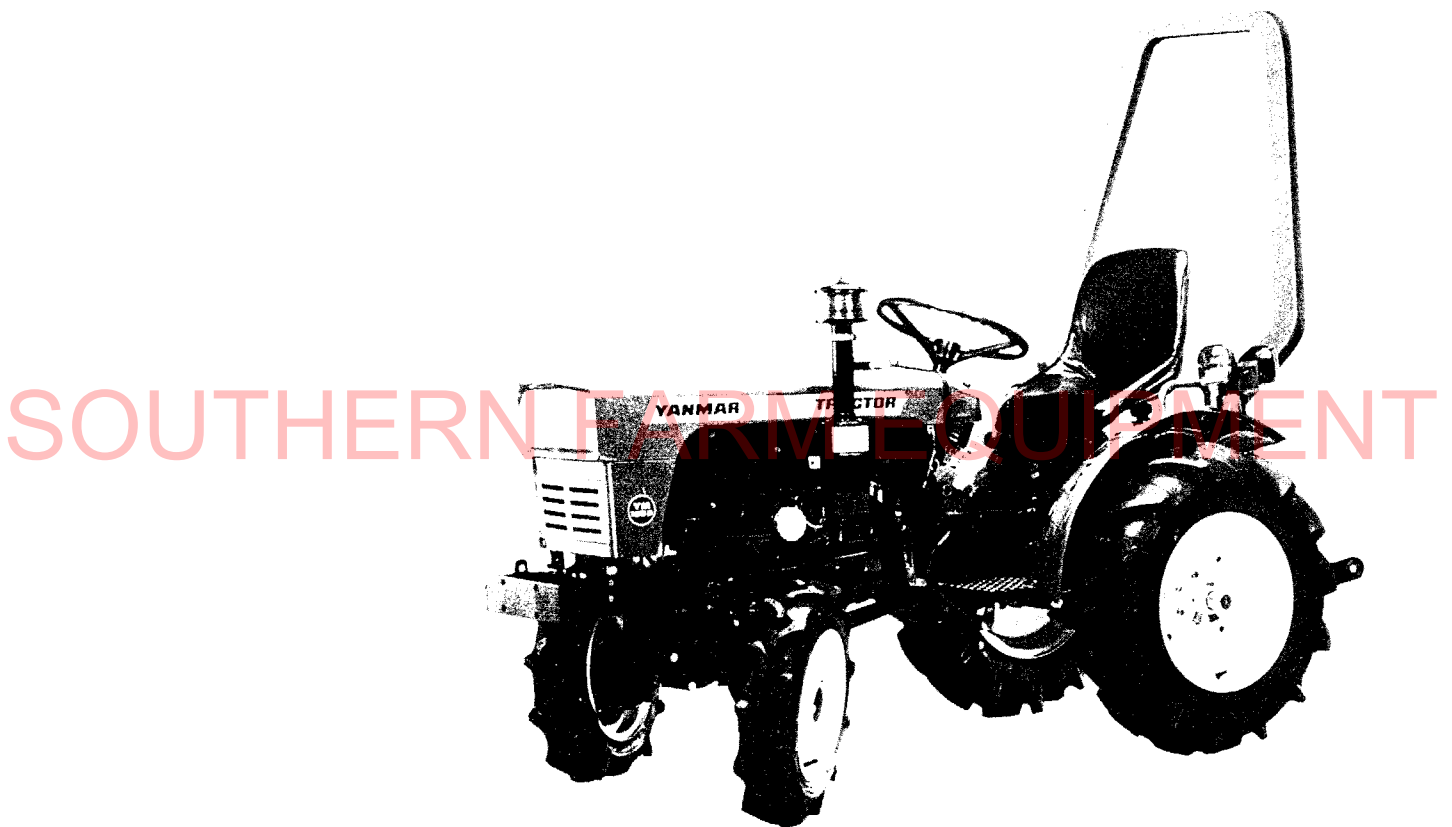


PARTS CATALOG

Pub. No. 000Y00T2371



MODEL

CAN NOT FIND WHAT YOU ARE LOOKING FOR ??
GIVE US A CALL!! 1-251-957-2857

YANMAR DIESEL TRACTOR

MODEL **YM135**
YM135 D
YM155
YM155 D

SOUTHERN FARM EQUIPMENT

	First Published :	March, 1976
	First Revised :	November, 1976
	Second Revised :	May, 1978
	Third Revised :	March, 1980
Pub. No. 2K001E1121	Forth Revised :	March, 1986
Pub. No. 000Y00T1588	Fifth Revised :	April, 1990
Pub. No. 000Y00T2371	Fifth	

YANMAR DIESEL ENGINE CO., LTD.

HOW TO USE THIS PARTS CATALOG

This Parts CATALOG contains all parts of YANMAR Model YM155(D)/YM135(D) tractors manufactured after February, 1976 and is classifying those parts into groups as shown by the index.

Each illustration is followed by the corresponding page of text (list of parts).

In your order sheet, never fail to clear the pertinent tractor model, tractor serial number, engine model and engine serial number as well as the name and part number of the parts you want so that you will be supplied with the right parts.

Model		
YM155	2-wheel drive
YM155D	4-wheel drive
YM135	2-wheel drive
YM135D	4-wheel drive

- NOTE:

Parts of which Part No., Description (Part Name) and Q'ty/Unit are crossed out with single line in each case are abolished and no longer available. Please order your replacement parts by new Part Nos.

Example:

Part No.	Description	Q'ty/Unit	Inter-changeability
194340-26360	SHAFT, connecting	1	Z
194340-26361	SHAFT, connecting	1	N

The part of which Part No. is 194340-26360 is abolished and no longer available. Order the corresponding replacement part by 194340-26361.

At Text (list of parts)

- Column "Refer. No." "Refer. No." is corresponded with a sketch bearing the same number in the illustration.
- Column "Description" "Description" column includes Part Name, Dimensions, etc.

A) Part Name

In case of an assembly of part, each component part is listed in the "Remarks" column and marked Refer. No.

B) Dimensions

Abbreviations representing dimensions in this parts list are as follows:

c : circumference	PF : pipe screw diameter (parallel)
d : diameter	PT : pipe screw diameter (taper)
h : high or height	sd : screw diameter
id : inner diameter	t : thickness
ℓ : length or long	w : width or wide
ℓoa : length, overall	z : number of teeth
od : outer diameter	

- Column "Q'ty"

The quantity in this column shows the pieces of the part used in the section of each engine.

- Column "Sales Unit"

"Sales Unit" column indicates the pieces which are contained in a packing case. Accordingly, place an order at sales unit or multiple of it.

(Example: Sales unit 10 ----- make your order by 10, 20, 30 -----.)

- Column "Interchangeability"

The interchangeability of parts for the current type of the YANMAR YM135(D) YM155(D) with those of the previous type is classified as follows:

R : Interchangeable.

S : Not interchangeable.

N : Interchangeable, however the part with its given part number is different but the part for the old type will not longer be available.

Z : Discontinued part.

W : Part incorporated only onto the current type, not existing on the old type.

F : Interchangeable, but subject to the "Remarks"

K : Changed quantity.

- Column "Remarks"

This column shows the modified part and the assembly sales part.

- Under the "Remarks" column, Tractor No. from which a particular change is made is indicated with the pertinent mark [1], [2], [3], [4] or [5] having the following reference.

Mark Model	[1]	[2]	[3]	[4]	[5]
YM155	50001 ~	—	50030 ~	51001 ~	51949 ~
YM155D	50001 ~	—	50304 ~	51001 ~	55799 ~
YM135	50001 ~	—	50002 ~	51001 ~	51532 ~
YM135D	50001 ~	50082 ~	50151 ~	51001 ~	51682 ~

COLORING

Some parts are painted in colors according to the models, specifications, and their destinations. In this parts catalog, colouring is classified into ten variations and shown in abbreviated codes as below.

Colour code	Color
K	Metallic calm green
M	Silver
P	Green
Q	Cream
R	Red
W	Frosted black
X	Black
Y	Yellow
U	Plating

The colour of a part is denoted by the colour code suffixed to an ordinary part number :

Example : Fender (L)

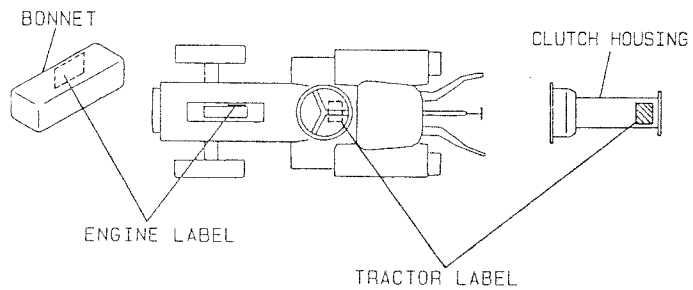
194195-62110-R

Red

SOUTHERN FARM EQUIPMENT

When ordering painted parts, please designate part colours in your order sheet by suffixing one of these color codes to the part number you want to order.

LOCATION OF ENGINE LABEL & TRACTOR LABEL



CONTENTS (1)

	Page
Specifications	i
Power Transmission Structural Drawing	iii
Engine Sectional View (1)	v
Engine Sectional View (2)	vi
Engine Sectional View (3)	vii
Engine Sectional View (4)	viii
Wiring Diagram	ix
Travelling Transmission Sectional View (1)	xii
Travelling Transmission Sectional View (2)	xiii
Travelling Transmission Sectional View (3)	xiv

—Components —

1. Cylinder Block	1
2. Gear Case	7
3. Cylinder Head	11
4. Air Cleaner & Silencer	17
4A. Air Cleaner (with Pre-cleaner) [Optional Parts]	21
5. Camshaft	25
6. Main Bearing & Crankshaft	27
7. Piston & Connecting Rod	31
8. Lubricating Oil System	33
9. Cooling Water System	37
10. Fuel Injection Pump	41
11. Fuel Injection Valve	45
12. Fuel Oil System	47
13. Governor System	51
14. Electric Starting System	55
15. Starting Motor (Maker : HITACHI)	57
16. Generator (Maker : KOKUSAN)	61
17. Thermostating Equipment & Silencer (Optional)	63

CONTENTS (2)

	Page
103. Repair Kit (For Engine)	67
104. Gasket Kit (For Engine)	69
18. Engine Control (Except ENGLAND) [YM155, YM155D]	73
19. Engine Control (ENGLAND) [YM155, YM155D]	75
20. Engine Control [YM135, YM135D]	79
21. Fuel Tank [YM155, YM155D]	81
22. Fuel Tank [YM135, YM135D]	85
23. Front Axle (For YM155)	89
24. Front Axle (For YM135)	93
25. Front Axle (For YM155D)	97
26. Front Axle (For YM135D)	103
27. Front Axle Interior (YM155D, YM135D)	109
28. Steering System (YM155, YM155D)	117
29. Steering System (YM135, YM135D)	121
30. Clutch (Except FRANCE & PORTUGAL) [YM155, YM155D]	125
31. Clutch (FRANCE & PORTUGAL) [YM155, YM155D]	131
32. Clutch (U.S.A) [YM135, YM135D]	137
33. Clutch (FRANCE) [YM135, YM135D]	143
34. Transmission Case & Cover (Except ENGLAND)	149
35. Transmission Case & Cover (ENGLAND) [YM155, YM155D]	155
36. Transmission Interior (Except ENGLAND) [YM155, YM155D]	159
37. Transmission Interior (ENGLAND) [YM155, YM155D]	165
38. Transmission Interior [YM135, YM135D]	169
39. Transmission Control [YM155, YM155D]	175
40. Transmission Control [YM135, YM135D]	181
41. Rear Axle (Except ENGLAND) [YM155, YM155D]	187
42. Rear Axle (ENGLAND) [YM155, YM155D]	193
43. Rear Axle [YM135, YM135D]	197
44. Differential Lock (Except ENGLAND) [YM155, YM155D]	203
45. Differential Lock (ENGLAND) [YM155, YM155D]	207

CONTENTS (3)

	Page
46. Differential Lock [YM135, YM135D]	209
47. Brakes (Except PORTUGAL) [YM155, YM155D]	213
48. Brakes (PORTUGAL) [YM155, YM155D]	217
49. Brakes [YM135, YM135D]	221
50. Front & Rear Tires (U.S.A & S.AFRICA) [YM155].....	225
51. Front & Rear Tires (U.S.A & S.AFRICA) [YM155D].....	229
52. Front & Rear Tires (FRANCE, ENGLAND & PORTUGAL) [YM155].....	233
53. Front & Rear Tires (FRANCE, ENGLAND & PORTUGAL) [YM155D]	237
54. Front & Rear Tires (U.S.A) [YM135]	241
55. Front & Rear Tires (U.S.A) [YM135D]	245
56. Front & Rear Tires (FRANCE) [YM135]	249
57. Front & Rear Tires (FRANCE) [YM135D]	253
58. Hydraulic Lift	257
59. Hydraulic Control Valve	261
60. Hydraulic Piping	265
61. Electric Parts (U.S.A & S. AFRICA) [YM155, YM155D].....	267
62. Electric Parts (FRANCE) [YM155, YM155D]	271
63. Electric Parts (ENGLAND) [YM155, YM155D]	275
64. Electric Parts (PORTUGAL) [YM155, YM155D]	281
65. Electric Parts (U.S.A) [YM135, YM135D]	285
66. Electric Parts (FRANCE) [YM135, YM135D]	289
67. Hood (U.S.A. & S. AFRICA) [YM155, YM155D]	293
68. Hood (FRANCE) [YM155, YM155D]	299
69. Hood (ENGLAND) [YM155, YM155D]	303
70. Hood (PORTUGAL) [YM155, YM155D]	305
71. Hood (U.S.A) [YM135, YM135D]	309
72. Hood (FRANCE) [YM135, YM135D]	313
73. Fenders, Steps & Seat (U.S.A. & S. AFRICA) [YM155, YM155D]	317

CONTENTS (4)

	Page
74. Fenders, Steps & Seat (FRANCE) [YM155, YM155D]	323
75. Fenders, Steps & Seat (ENGLAND) [YM155, YM155D]	329
76. Fenders, Steps & Seat (PORTUGAL) [YM155, YM155D]	333
77. Fenders, Steps & Seat (U.S.A) [YM135, YM135D]	339
78. Fenders, Steps & Seat (FRANCE) [YM135, YM135D]	343
79. Rear Hitch (Except ENGLAND & PORTUGAL) [YM155, YM155D]	349
80. Rear Hitch (ENGLAND & PORTUGAL) [YM155, YM155D]	351
81. Three-Point Hitch Category 1 (U.S.A. & S. AFRICA)	353
82. Three-Point Hitch Category 0 (Except, S. AFRICA).....	357
83. Throttle Pedal System (Except ENGLAND)	361
84. Turn Signal Light (U.S.A) [YM135, YM135D].....	363
85. Work Light	365
86. Rear-View Mirror(Portugal) [YM155, YM155D].....	367
87. Rear-View Mirror(Except Portugal) [YM155, YM155D].....	369
88. Rear-View Mirror [YM135, YM135D]	371
89. Rear Wheel Weight & Front Weight (Optional).....	373
90. TOOLS	375
91. Turf Tires [YM155]	377
92. Turf Tires [YM155D]	379
93. Turf Tires [YM135, YM135D]	381
94. Front P.T.O. [YM155, YM155D]	383
95. Front P.T.O. [YM135, YM135D]	387
96. Labels (U.S.A) [YM155, YM155D]	391
97. Labels (S. AFRICA) [YM155, YM155D]	395
98. Labels (FRANCE) [YM155, YM155D]	399
99. Labels (ENGLAND) [YM155, YM155D]	403
100. Labels (Portugal) [YM155, YM155D]	407
101. Labels (U.S.A) [YM135, YM135D]	411
102. Labels (FRANCE) [YM135, YM135D]	416
105. ROLL BAR (OPTIONAL)	420

CONTENTS (ALPHABETICAL)

GROUP No.	GROUP NAME
4	AIR CLEANER & SILENCER
4A	AIR CLEANER (WITH PRE-CLEANER) [OPTIONAL PARTS]
47	BRAKES (EXCEPT PORTUGAL) [YM155, YM155D]
48	BRAKES (PORTUGAL) [YM155, YM155D]
49	BRAKES [YM135, YM135D]
5	CAMSHAFT
30	CLUTCH (EXCEPT FRANCE & PORTUGAL) [YM155, YM155D]
33	CLUTCH (FRANCE) [YM135, YM135D]
31	CLUTCH (FRANCE & PORTUGAL) [YM155, YM155D]
32	CLUTCH (U.S.A) [YM135, YM135D]
9	COOLING WATER SYSTEM
1	CYLINDER BLOCK
3	CYLINDER HEAD
45	DIFFERENTIAL LOCK (ENGLAND) [YM155, YM155D]
44	DIFFERENTIAL LOCK (EXCEPT ENGLAND) [YM155, YM155D]
46	DIFFERENTIAL LOCK [YM135, YM135D]
63	ELECTRIC PARTS (ENGLAND) [YM155, YM155D]
66	ELECTRIC PARTS (FRANCE) [YM135, YM135D]
62	ELECTRIC PARTS (FRANCE) [YM155, YM155D]
64	ELECTRIC PARTS (PORTUGAL) [YM155, YM155D]
65	ELECTRIC PARTS (U.S.A) [YM135, YM135D]
61	ELECTRIC PARTS (U.S.A. & S.AFRICA) [YM155, YM155D]
14	ELECTRIC STARTING SYSTEM
19	ENGINE CONTROL (ENGLAND) [YM155, YM155D]
18	ENGINE CONTROL (EXCEPT ENGLAND) [YM155, YM155D]
20	ENGINE CONTROL [YM135, YM135D]
75	FENDERS, STEPS & SEAT (ENGLAND) [YM155, YM155D]
78	FENDERS, STEPS & SEAT (FRANCE) [YM135, YM135D]
74	FENDERS, STEPS & SEAT (FRANCE) [YM155, YM155D]
76	FENDERS, STEPS & SEAT (PORTUGAL) [YM155, YM155D]
77	FENDERS, STEPS & SEAT (U.S.A) [YM135, YM135D]
73	FENDERS, STEPS & SEAT (U.S.A. & S.AFRICA) [YM155, YM155D]
24	FRONT AXLE (FOR YM135)
26	FRONT AXLE (FOR YM135D)
23	FRONT AXLE (FOR YM155)
25	FRONT AXLE (FOR YM155D)

CONTENTS (ALPHABETICAL)

GROUP No.	GROUP NAME
27	FRONT AXLE INTERIOR (YM155D, YM135D)
95	FRONT P.T.O. [YM135, YM135D]
94	FRONT P.T.O. [YM155, YM155D]
56	FRONT & REAR TIRES (FRANCE) [YM135]
57	FRONT & REAR TIRES (FRANCE) [YM135D]
52	FRONT & REAR TIRES (FRANCE, ENGLAND & PORTUGAL) [YM155]
53	FRONT & REAR TIRES (FRANCE, ENGLAND & PORTUGAL) [YM155D]
54	FRONT & REAR TIRES (U.S.A.) [YM135]
55	FRONT & REAR TIRES (U.S.A.) [YM135D]
50	FRONT & REAR TIRES (U.S.A. & S.AFRICA) [YM155]
51	FRONT & REAR TIRES (U.S.A. & S.AFRICA) [YM155D]
10	FUEL INJECTION PUMP
11	FUEL INJECTION VALVE
12	FUEL SYSTEM
22	FUEL TANK [YM135, 135D]
21	FUEL TANK [YM155, 155D]
104	GASKET KIT (FOR ENGINE)
2	GEAR CASE
16	GENERATOR (MAKER : KOKUSAN)
13	GOVERNDR SYSTEM
69	HOOD (ENGLAND) [YM155, YM155D]
72	HOOD (FRANCE) [YM135, YM135D]
68	HOOD (FRANCE) [YM155, YM155D]
70	HOOD (PORTUGAL) [YM155, YM155D]
71	HOOD (U.S.A.) [YM135, YM135D]
67	HOOD (U.S.A. & S.AFRICA) [YM155, YM155D]
59	HYDRAULIC CONTROL VALVE
58	HYDRAULIC LIFT
60	HYDRAULIC PIPING
99	LABELS (ENGLAND) [YM155, YM155D]
102	LABELS (FRANCE) [YM135, YM135D]
98	LABELS (FRANCE) [YM155, YM155D]
100	LABELS (PORTUGAL) [YM155, YM155D]
97	LABELS (S.AFRICA) [YM155, YM155D]
101	LABELS (U.S.A.) [YM135, YM135D]
96	LABELS (U.S.A.) [YM155, YM155D]

CONTENTS (ALPHABETICAL)

<u>GROUP No.</u>	<u>GROUP NAME</u>
8	LABBRICATING OIL SYSTEM
6	MAIN BEARING & CRANKSHAFT
7	PISTON & CONNECTING ROD
42	REAR AXLE (ENGLAND) [YM155, YM155D]
41	REAR AXLE (EXCEPT ENGLAND) [YM155, YM155D]
43	REAR AXLE [YM135, YM135D]
80	REAR HITCH (ENGLAND & PORTUGAL) [YM155, YM155D]
79	REAR HITCH (EXCEPT ENGLAND & PORTUGAL) [YM155, YM155D]
87	REAR VIEW MIRROR (EXCEPT PORTUGAL) [YM155, YM155D]
86	REAR-VIEW MIRROR (PORTUGAL) [YM155, YM155D]
88	REAR-VIEW MIRROR [YM135, YM135D]
89	REAR WHEEL WEIGHT & FRONT WEIGHT (OPTIONAL)
103	REPAIR KIT (FOR ENGINE)
105	ROLL BAR (OPTIONAL)
15	STARTING MOTOR (MAKER : HITACHI)
29	STEERING SYSTEM (YM135, YM135D)
28	STEERING SYSTEM (YM155, YM155D)
17	THERMOSTARTING EQUIPMENT & SILENCER (OPTIONAL)
82	THREE-POINT HITCH CATEGORY 0 (EXCEPT S.AFRICA)
81	THREE POINT HITCH CATEGORY 1 (U.S.A.& S.AFRICA)
83	THROTTLE PEDAL SYSTEM (EXCEPT ENGLAND)
90	TOOLS
35	TRANSMISSION CASE & COVER (ENGLAND) [YM155, YM155D]
34	TRANSMISSION CASE & COVER (EXCEPT ENGLAND)
40	TRANSMISSION CONTROL [YM135, YM135D]
39	TRANSMISSION CONTROL [YM155, YM155D]
37	TRANSMISSION INTERIOR (ENGLAND) [YM155, YM155D]
36	TRANSMISSION INTERIOR (EXCEPT ENGLAND) [YM155, YM155D]
38	TRANSMISSION INTERIOR [YM135, YM135D]
93	TURF TIRES [YM135, YM135D]
91	TURF TIRES [YM155]
92	TURF TIRES [YM155D]
84	TURN SIGNAL LIGHT (U.S.A.) [YM135, YM135D]
85	WORK LIGHT

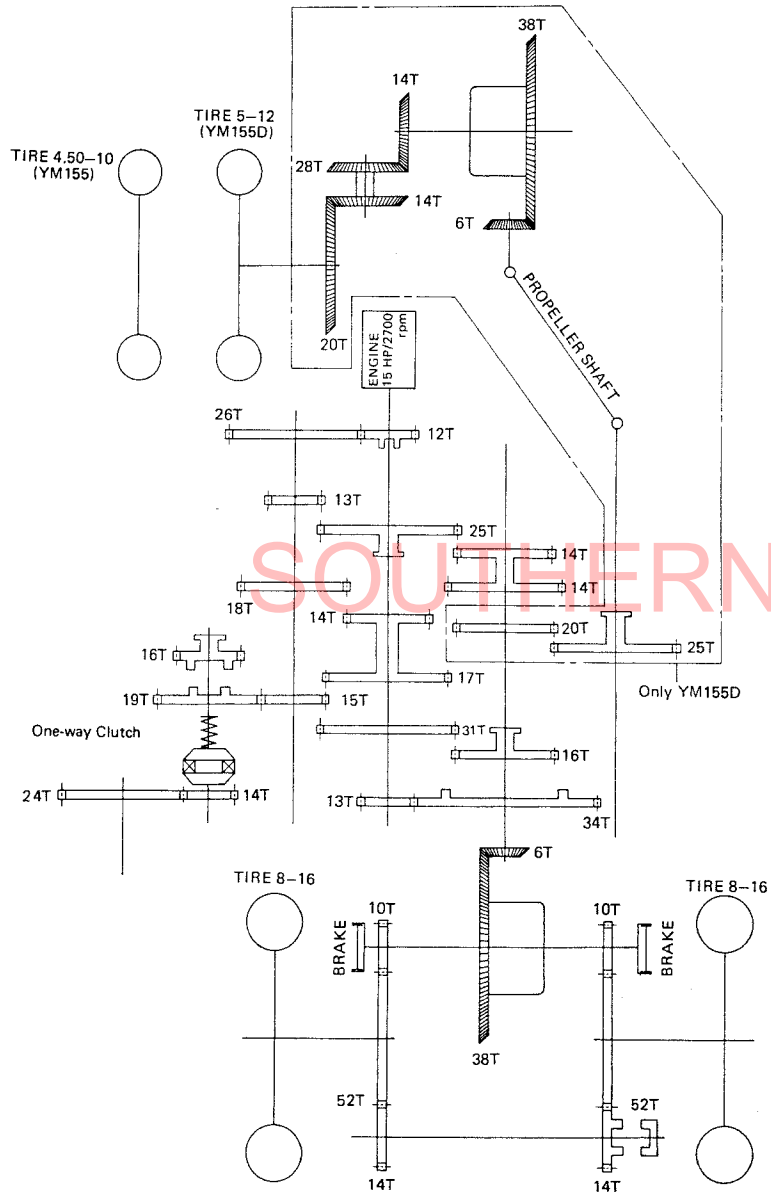
SOUTHERN FARM EQUIPMENT

SPECIFICATIONS

Model	YM155	YM155D	YM135	YM135D
	2-wheel drive 4-wheel drive		2-wheel drive 4-wheel drive	
Dimensions				
Overall length				
with 3-point hitch	99.2"		91.7"	93.1"
without 3-point hitch	81.3"		73.0"	74.4"
Overall width	37.6"		35.4"	
Overall height				
to muffler end	64.8"			
to steering wheel	45.7"		44.5"	
Wheel base	48.8"		45.7"	48.9"
Tread front	28.7"	29.3"	26.4"	29.3"
Tread rear	27.6 ~ 33.5"		23.6 ~ 31.6"	
Ground clearance				
Front axle	12.0"	9.8"	12.2"	9.6"
Drawbar	10.4"	10.4"	9.6"	9.6"
Weights				
Total weight	1057.3 lbs.	1145.4 lbs.	991.2 lbs.	1090.3 lbs.
Front	480.2 lbs.	563.9 lbs.	449.3 lbs.	535.2 lbs.
Rear	577.1 lbs.	581.5 lbs.	541.9 lbs.	555.1 lbs.
Engine				
Model	2TR13A		2T73A	
Type	Vertical, water cooled, 4-cycle diesel			
No. of cylinders	2			
Piston displacement	40.4 cu. inch		38.3 cu. inch	
Bore x stroke	2.953" x 2.953"		2.874" x 2.953"	
Max. bare horse power	15 HP at 2700 rpm		13 HP at 2700 rpm	
Compression ratio	23 : 1			
Capacity				
Fuel tank	4.0 U.S. gal. (15 ltr.)		2.5 U.S. gal. (9.5 ltr.)	
Cooling system	0.8 U.S. gal. (3.2 ltr.)		0.8 U.S. gal. (3.2 ltr.)	
Crankcase	0.6 U.S. gal. (2.4 ltr.)		0.6 U.S. gal. (2.4 ltr.)	
Air cleaner	Dry type			
Transmission-hydraulic system	2.5 U.S. gal. (9.5 ltr.)	2.4 U.S. gal. (9.0 ltr.)	2.5 U.S. gal. (9.5 ltr.)	2.4 U.S. gal. (9.0 ltr.)

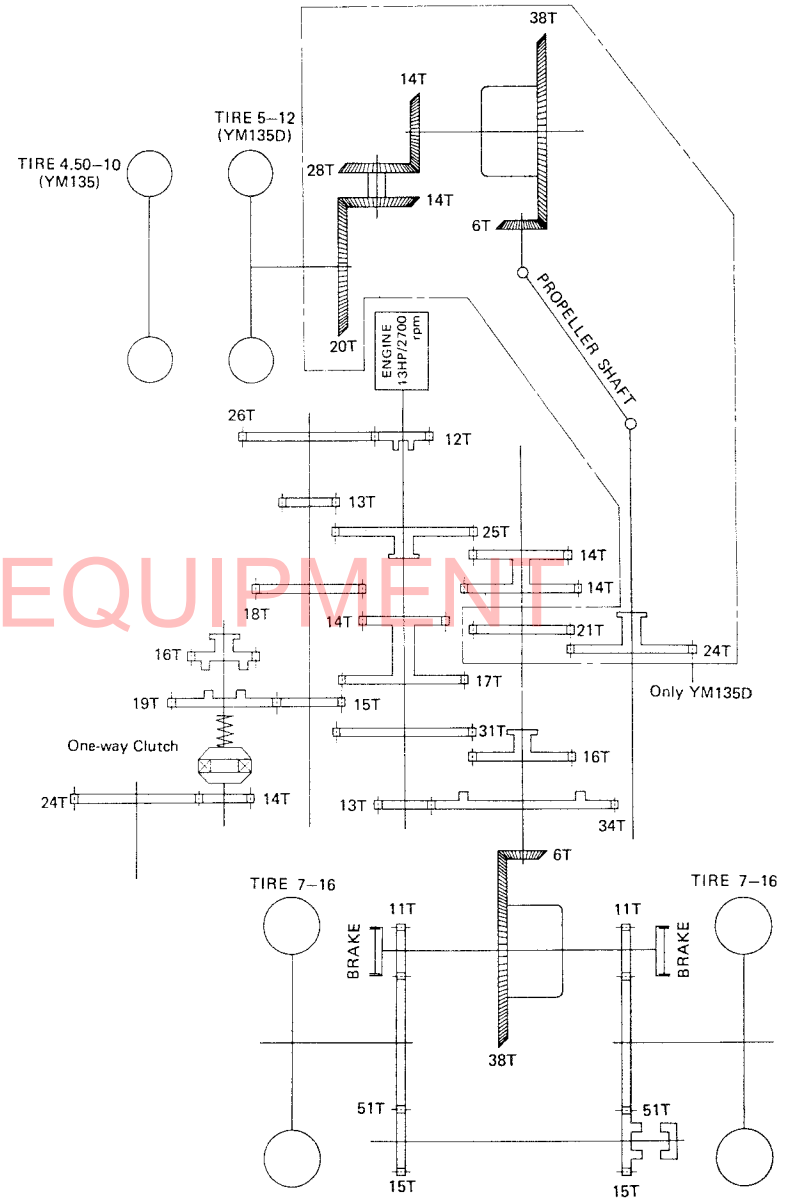
Model	YM155	YM155D	YM135	YM135D
Electrical system				
Battery		12 V - 35 AH		
A.C. generator		12 V - 110 W		
Starter motor		12 V - 1.2 kW		
Thermostart (Optional)		12 V - 13 A		
Clutch				Dry single disc, mechanical type
Transmission				Mechanical, constant-mesh/selective-mesh gears combination 6-speed for forward, 2-speed for reverse
Final drive				Spiral gears reduction drive
Differential lock				Foot operated mechanical lock
Travel speed				
Forward	1st	0.67 mph (1.07 kph)	0.71 mph (1.14 kph)	
.....	2nd	1.13 mph (1.82 kph)	1.20 mph (1.93 kph)	
.....	3rd	1.65 mph (2.65 kph)	1.75 mph (2.81 kph)	
.....	4th	3.37 mph (5.43 kph)	3.57 mph (5.75 kph)	
.....	5th	5.73 mph (9.22 kph)	6.07 mph (9.76 kph)	
.....	6th	8.36 mph (13.43 kph)	8.84 mph (14.23 kph)	
Reverse	1st	0.92 mph (1.48 kph)	0.98 mph (1.57 kph)	
.....	2nd	4.67 mph (7.52 kph)	4.95 mph (7.97 kph)	
Brakes				Dry, internal expansion mechanical type
Tires				
Front	4.50-10-2	5-12-2	4.50-10-2	5-12-2
.....	ply rating	ply rating	ply rating	ply rating
Rear	8-16-4	8-16-4	7-16-4	7-16-4
.....	ply rating	ply rating	ply rating	ply rating
P.T.O.				
Spline	SAE 1-3/8 inch			
Direction of rotation	Clock wise viewed from driving end			
Speed	540 and 770 rpm (at 2540 rpm engine speed)			
Power lift				
Type	Hydraulic, 3-point hitch Category O or 1 with select control			
Max. lift capacity	926 lbs. (420 kg)			
Drawbar				Offset type

YM155/YM155D POWER TRANSMISSION STRUCTURAL DRAWING



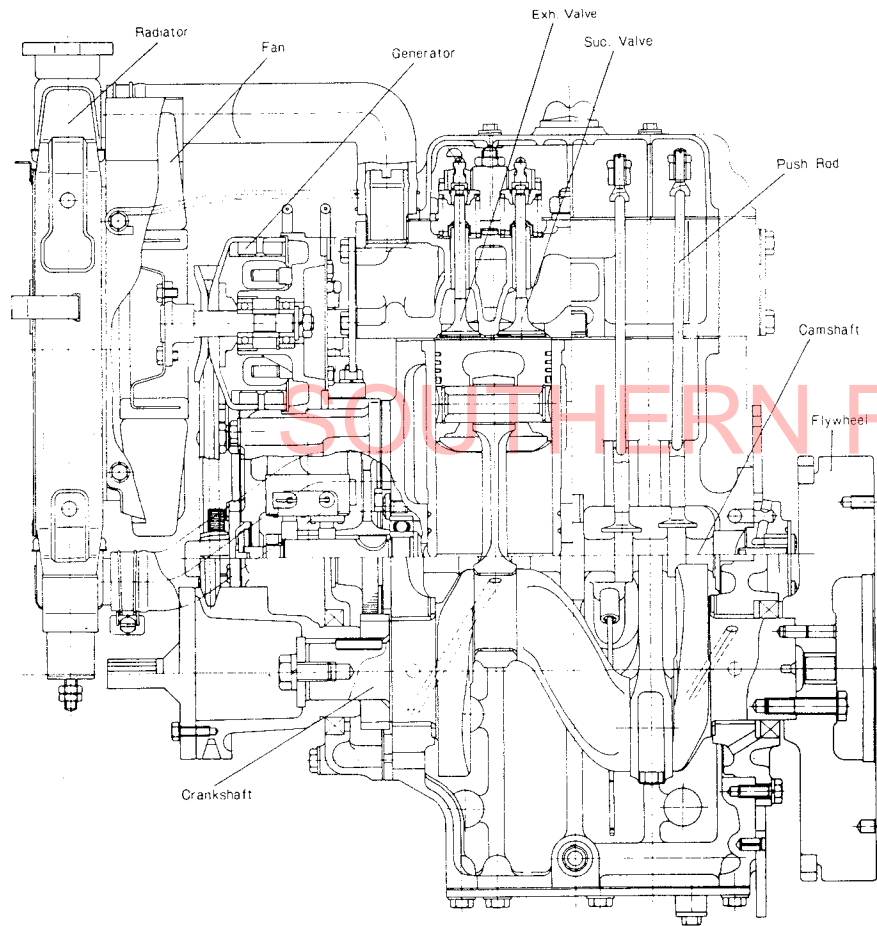
iii

YM135/YM135D POWER TRANSMISSION STRUCTURAL DRAWING

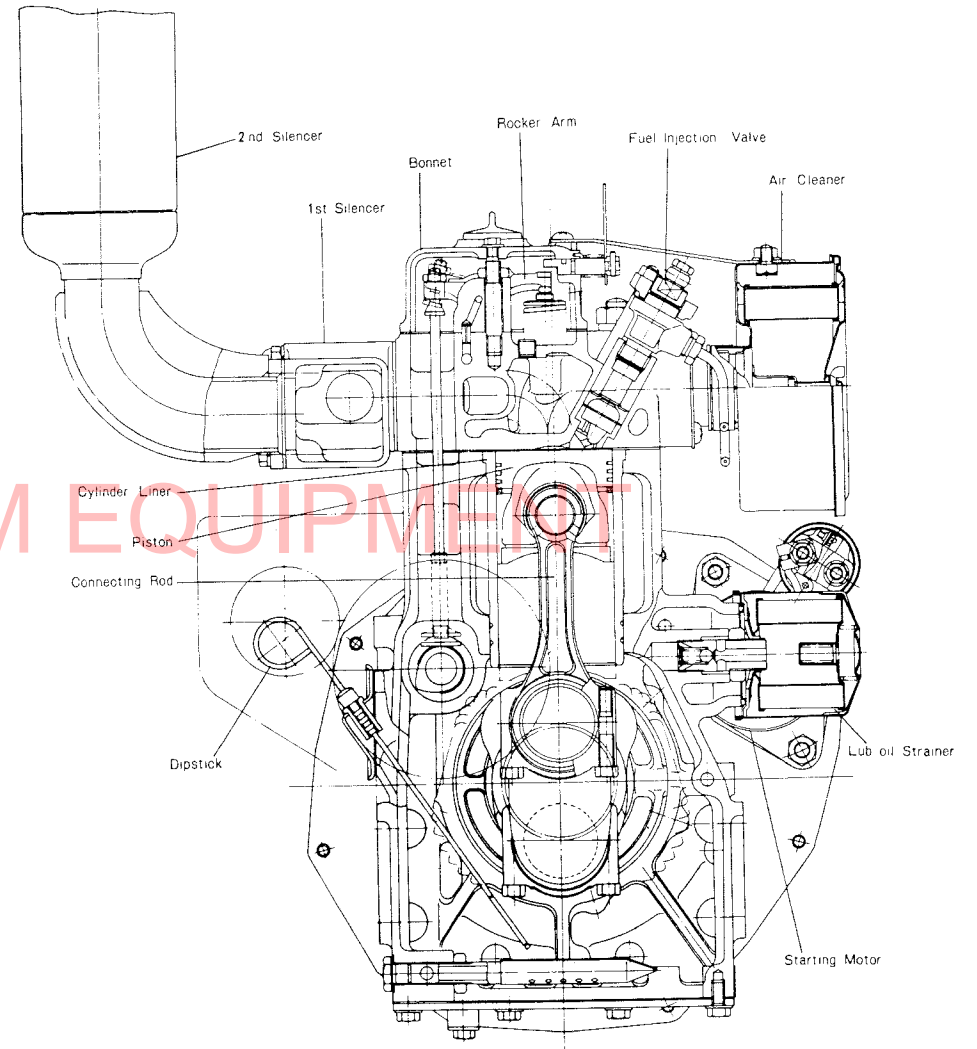


iv

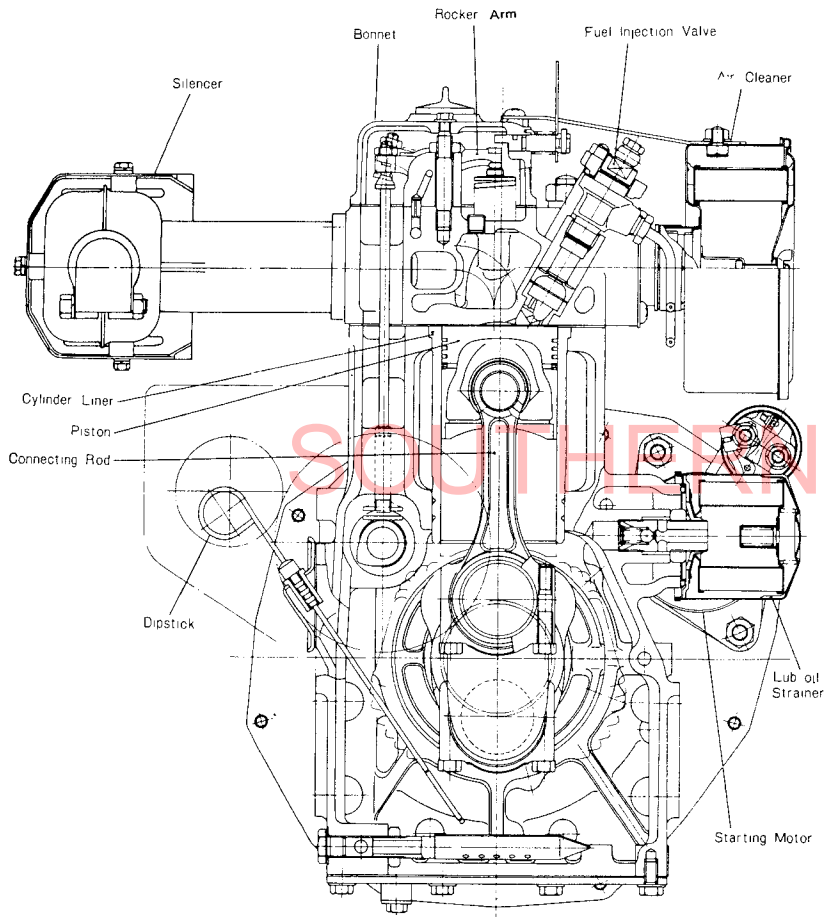
2T73A-2TR13A ENGINE SECTIONAL VIEW (1)



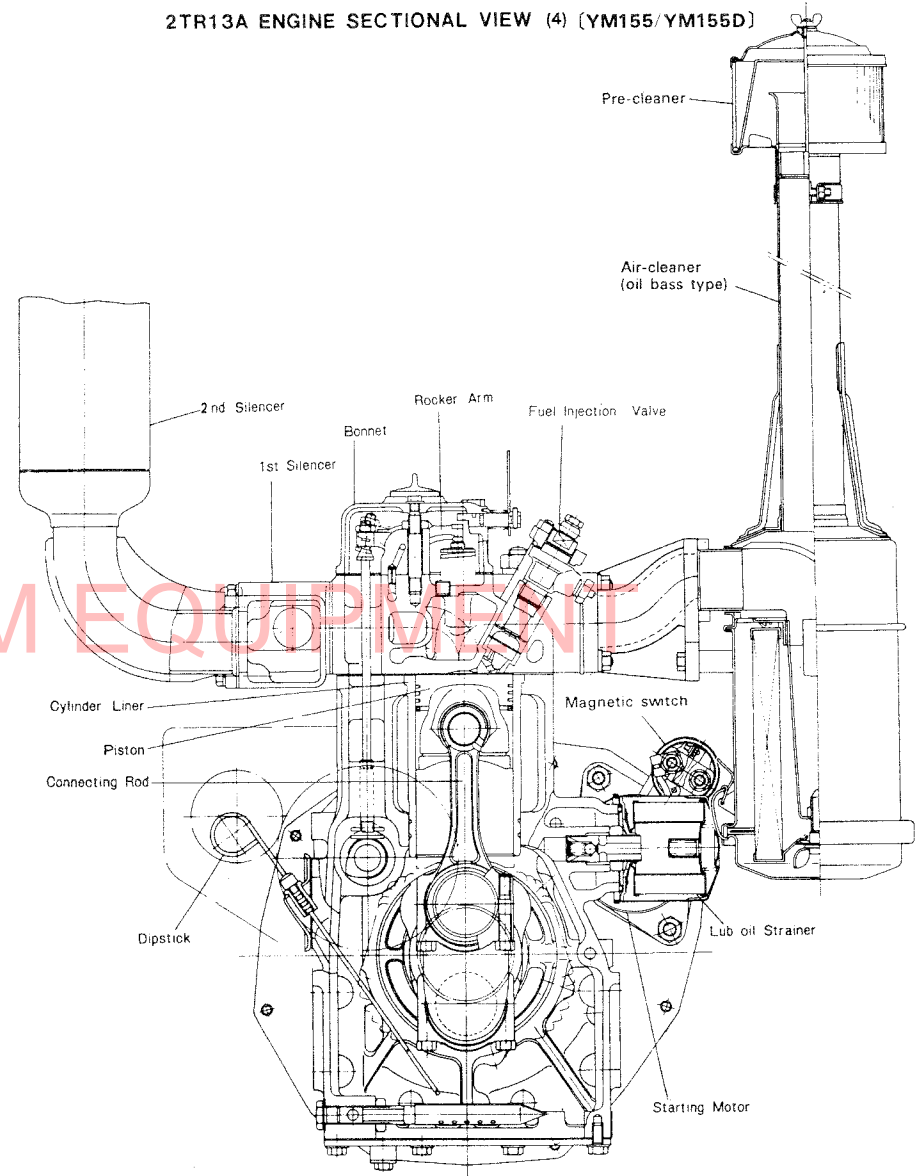
2TR13A ENGINE SECTIONAL VIEW (2) (YM155/YM155D)



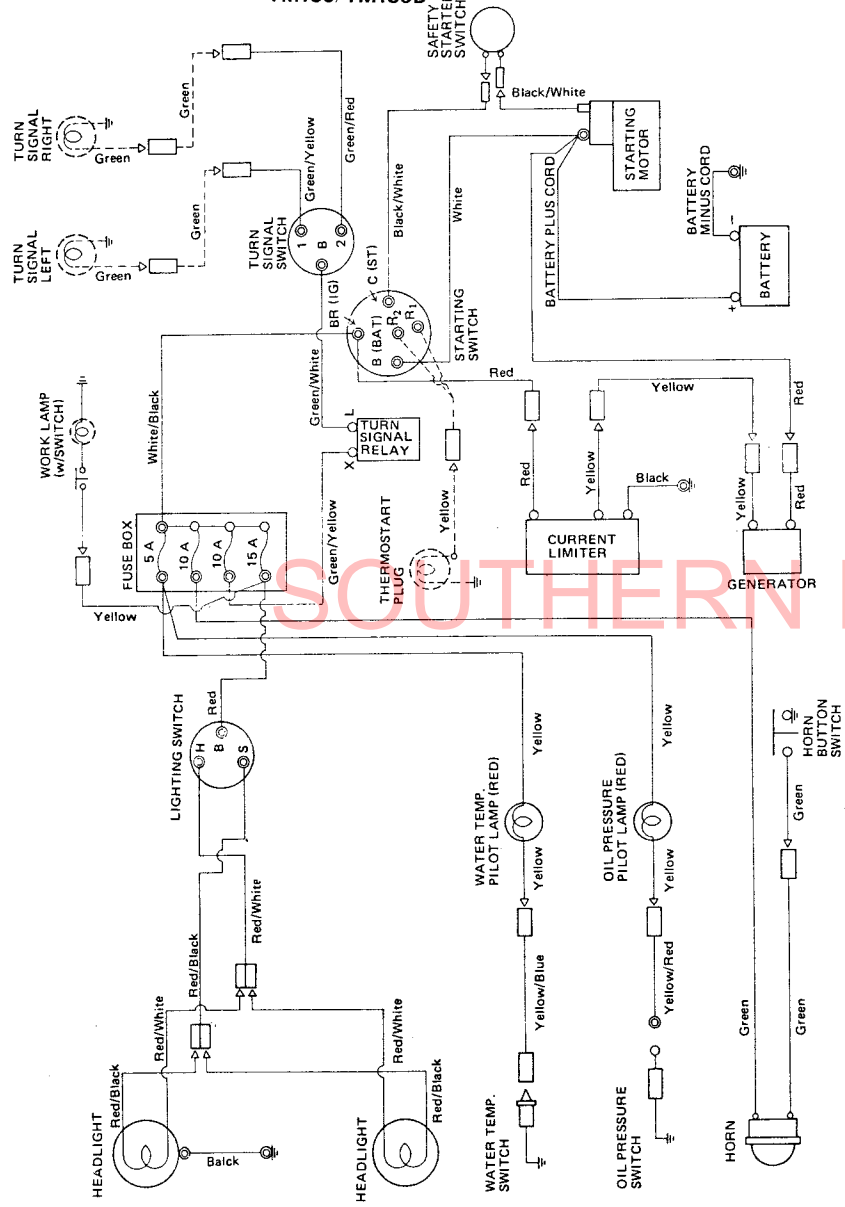
2T73A ENGINE SECTIONAL VIEW (3) (YM135/YM135D)



2TR13A ENGINE SECTIONAL VIEW (4) (YM155/YM155D)

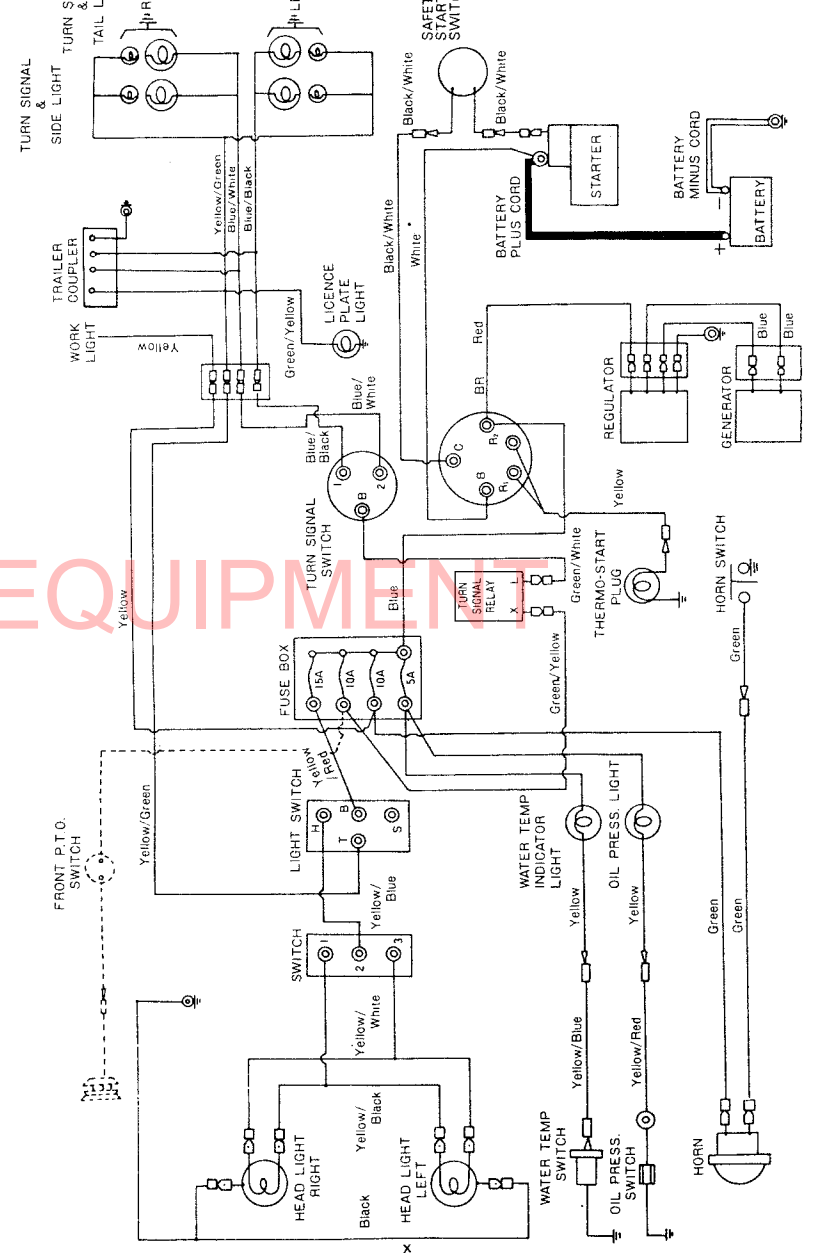


YM155/YM155D WIRING DIAGRAM
YM135/YM135D



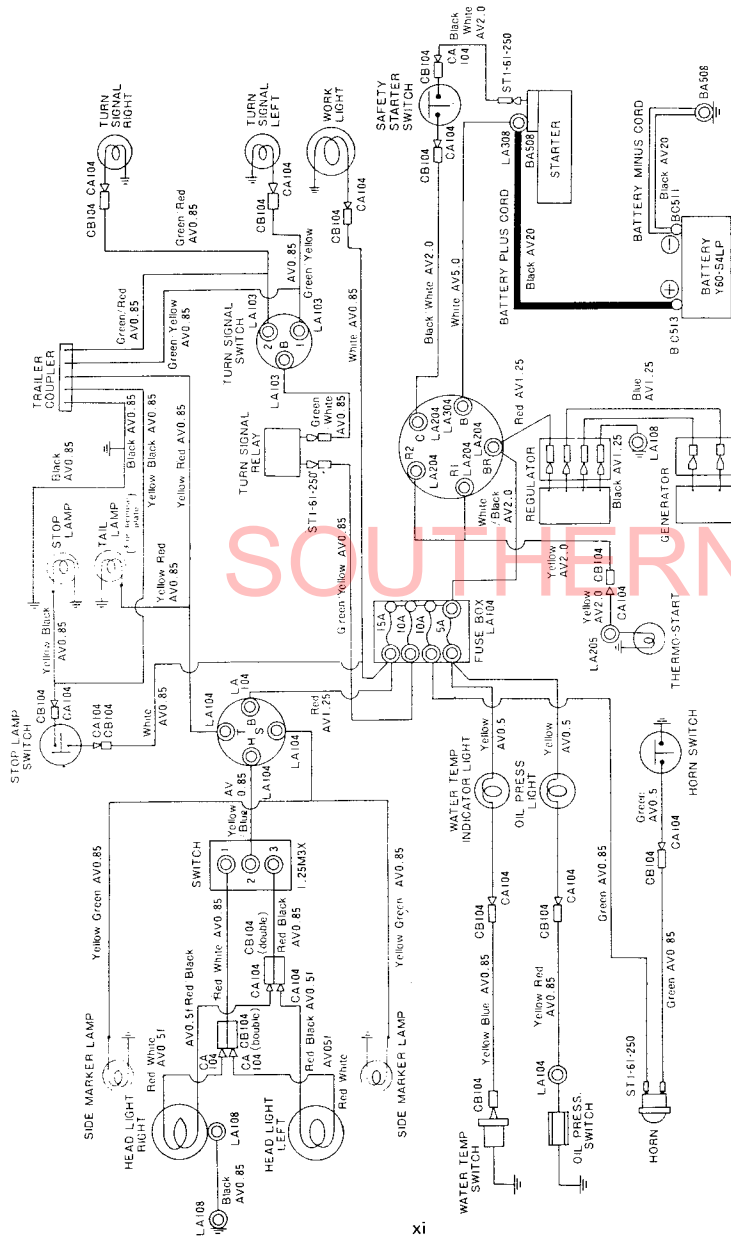
F

WIRING DIAGRAM FOR MODEL YM135-F/YM135D-F
YM155-F/YM155D-F



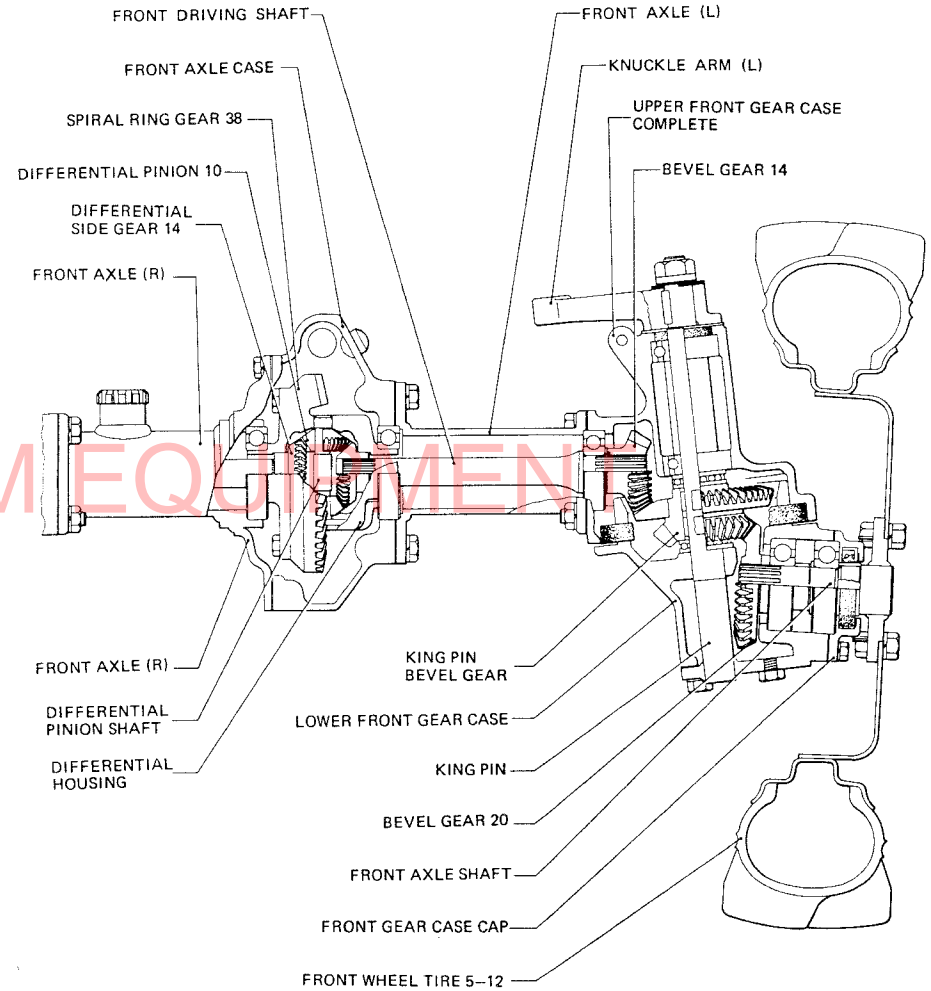
P

YM135-P/YM135D-P
 WIRING DIAGRAM FOR MODEL
 YM155-P/YM155D-P



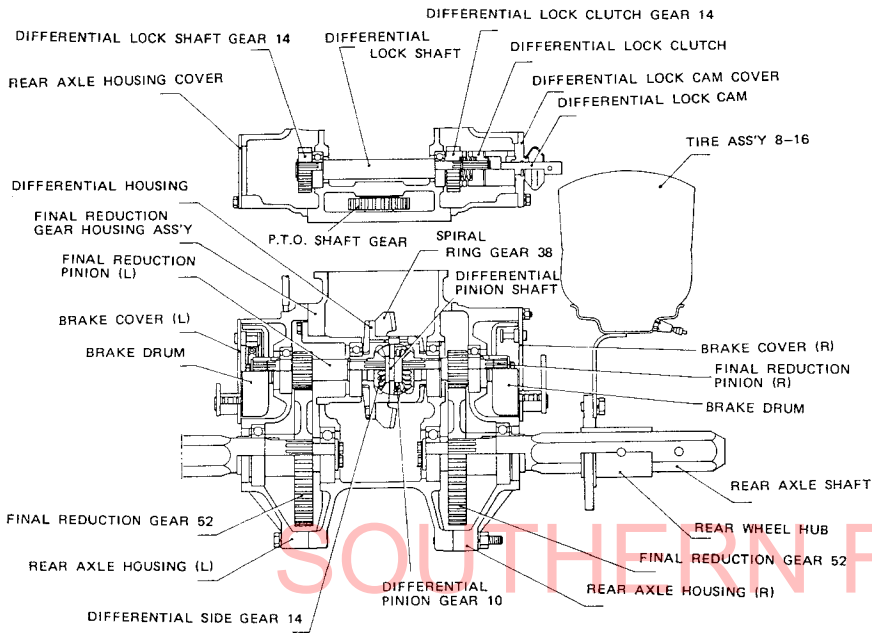
XI

YM155D, YM135D TRAVELLING TRANSMISSION SECTIONAL VIEW (1)

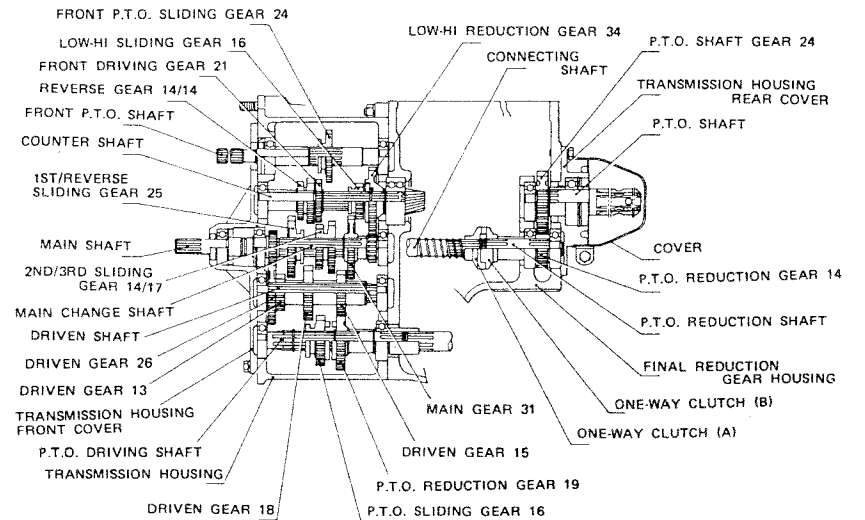
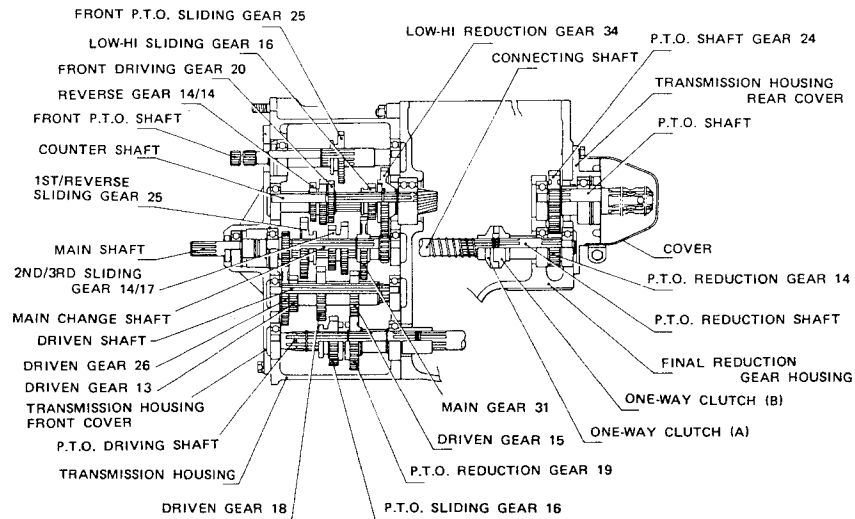
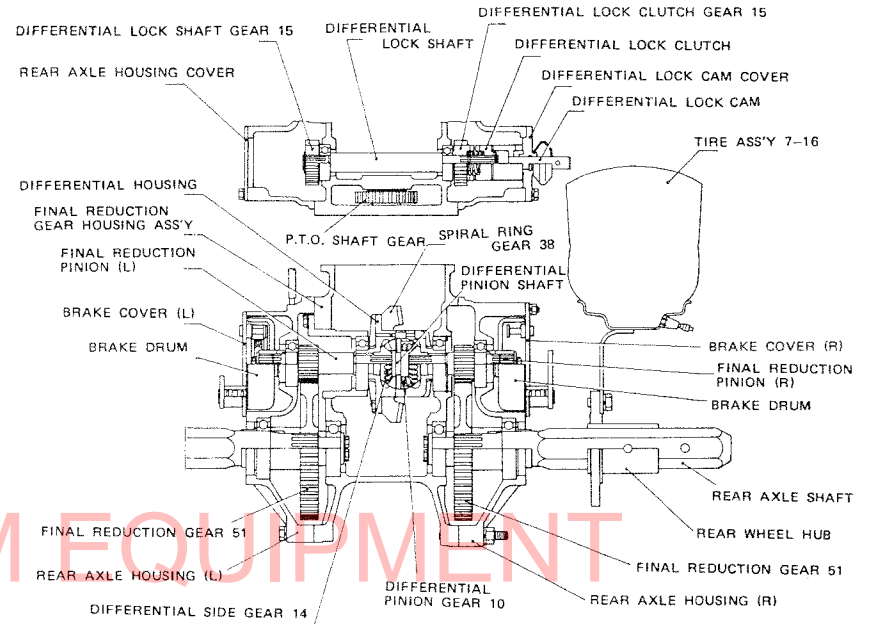


xii

YM155/YM155D TRAVELLING TRANSMISSION SECTIONAL VIEW (2)



YM135/YM135D TRAVELLING TRANSMISSION SECTIONAL VIEW (2)

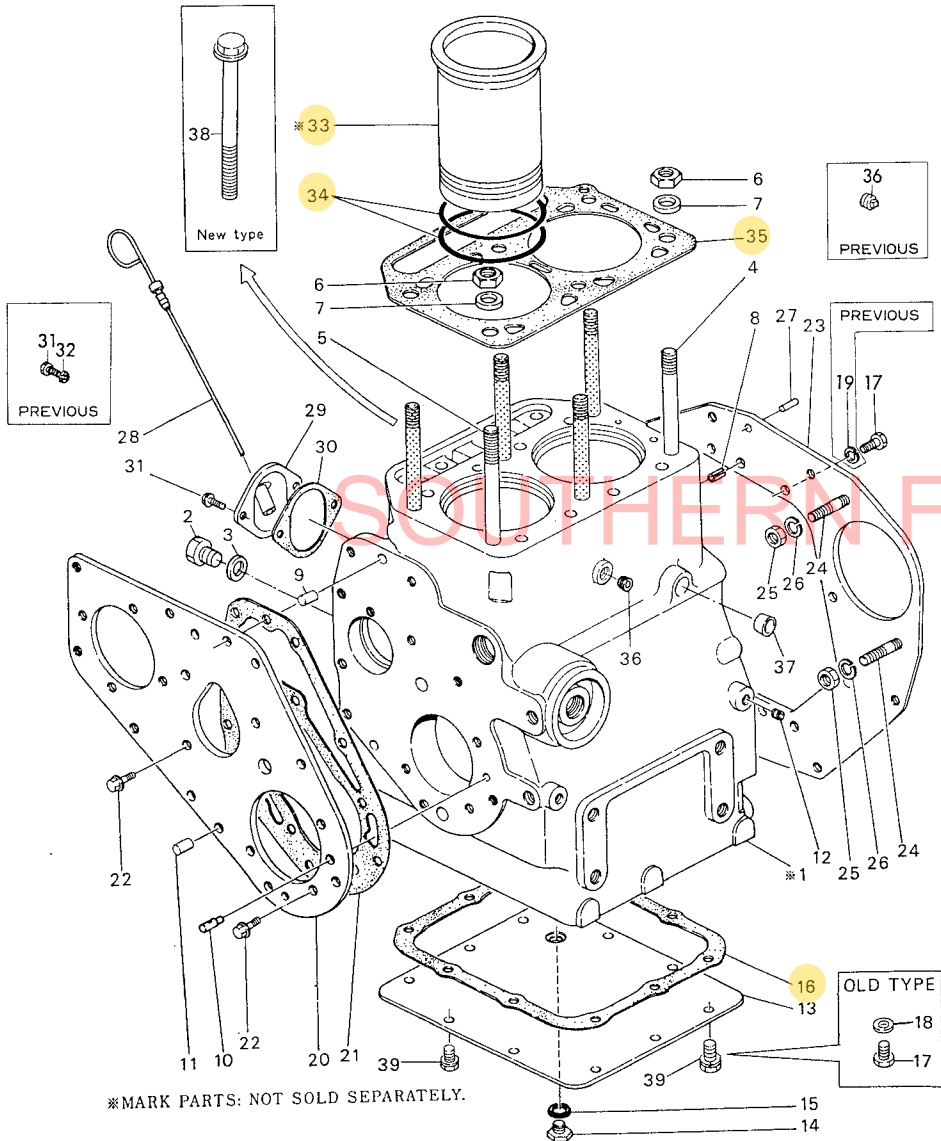


ENGINE PARTS

Model **2TR13A (YM155)**
2TR13A (YM155D)
2T73A (YM135)
2T73A (YM135D)

SOUTHERN FARM EQUIPMENT

1. CYLINDER BLOCK



1. CYLINDER BLOCK

Refer. No.	Description	Part No.	Qty./Unit		Interchangeability	Design-change Mark	Remarks
			2T13A	2T13A			
	BLOCK ASS'Y	724060-01561	1	1			Inc. 1-1 19, 36, 37, 9-6, 6-10 13, 15 17
	BLOCK ASS'Y	724064-01560	1	1	N		Inc. 1-1 19, 36 39, 9-6, 6-10 13, 15 17
1- 1	CYLINDER BLOCK	*	1	1			Not Sold Separately. (124064-01010)
1- 2	PLUG PFL/4	23893-020002	1	1	10		
	PLUG PFL/4	121450-01960	1	1	10	N	
1- 3	PACKING 12	23414-120000	1	1	10		
1- 4	STUD(A), cylinder head	124060-01200	5	5			
	STUD(A), cylinder head	124060-01200	1	1		K	\$
1- 5	STUD(B), cylinder head	124160-01210	1	1			
1- 6	NUT, cylinder head lock	104300-01220	6	6	10		\$
	NUT, cylinder head lock	104300-01220	2	2	10	K	\$
1- 7	WASHER, lock nut	103338-01240	6	6	10		
	WASHER, lock nut	103338-01240	2	2	10	K	\$
1- 8	SPRING PIN 8 x 14	22351-080014	2	2	10		
1- 9	PARALLEL PIN 8 x 22	124060-01660	1	1	10		
	PARALLEL PIN 8 x 22	22312-080120	1	1	10		
1- 10	CONNECTOR, lub. oil feed	124060-01540	1	1			
1- 11	PARALLEL PIN 8 x 22	22312-080220	1	1	10		
1- 12	PLUG PTL/8	124060-01050	6	6	10		
	COVER ASS'Y, cyl. lower	724060-01542	1	1			
1- 13	.COVER, cylinder lower	124060-01732	1	1			
1- 14	.PLUG	124060-01640	1	1			
1- 15	.O-RING 14-P	24311-000140	1	1	10		

Remarks:
 \$-marked parts: From Nov. 1979
 STUD(A) (P/#124060-01200) 4 pcs. to fit the cylinder head changed to HEX. BOLT (Refer. No. 1-38, P/#124060-01201). Simultaneously, NUT (P/#104300-01220) 4 pcs. and WASHER (P/#103338-01240) 4 pcs. is continued.
 Interchangeable if these changes are put into practice simultaneously.

1. CYLINDER BLOCK

Refer. No.	Description	Part No.	Q'ty/Unit		Inter-change-ability	Design-change Mark	Remarks
			2TR13A	2T73A			
1- 16	PACKING, cylinder lower cover	124060-01741	1	1			Misprint
	PACKING, cylinder lower cover	124060-01742	1	1	10		
1- 17	BOLT M8 x 16, plated	26116-080162	21	21	10		
	BOLT M8 x 16, plated	26116-080162	9	9	10	K	E
1- 18	WASHER 8	22137-080000	12	12	10	Z	E
1- 19	SPRING WASHER 8	22217-080000	9	9	10	Z	
1- 20	FLANGE, timing gear case	124060-01550	1	1			
	FLANGE, timing gear case	124060-01551	1	1		F	
1- 21	PACKING, flange	124060-01560	1	1	10		
1- 22	BOLT M8 x 14	26116-080142	7	7	10		
	BOLT M8 x 14	26106-080142	7	7	10	N	
1- 23	FLANGE, mounting	124060-01601	1	1			
	FLANGE, mounting	124060-01602	1	1		S	\$
1- 24	STUD, starter motor	124060-01650	2	2	10		
	STUD, starter motor	121462-01650	2	2	10	S	\$
1- 25	NUT M10, plated	26736-100002	2	2	10		
	NUT M10, plated	26716-100002	2	2	10	S	\$
1- 26	SPRING WASHER 10	22217-100000	2	2	10		
1- 27	SPRING PIN 6AW x 16	22351-060016	2	2	10		
1- 28	DIPSTICK	124060-34800	1	1			
	DIPSTICK	124660-34800	1	1		N	2TR13A E/#-23860
1- 29	BRACKET, dipstick	124060-34830	1	1			

Remarks

\$: Interchangeable with Old Type FLANGE (124060-01601) by simultaneous replacement of New Type FLANGE (124060-01602) together with STUD9121462-01650) 2 pcs. and NUT M10 (26716-10002) 2 pcs. Applicable engine serial number: E/#24105 -, 2TR13A (From Jan. 1980).

E: Changed to BOLT (Ref. No. 1-39) (121250-01710) 12 pcs. but interchangeable.

1. CYLINDER BLOCK

Refer. No.	Description	Part No.	Q'ty/Unit		Inter-change-ability	Design-change Mark	Remarks
			2TR13A	2T73A			
1- 30	PACKING, bracket	124060-34840	1	1			
	PACKING, bracket	124060-34841	1	1	10	N	
	PACKING, bracket	124060-34842	1	1	10	N	
1- 31	BOLT M6 x 12	26116-060122	2	2	10		
	BOLT M6 x 10	26106-060102	2	2	10	N	
1- 32	SPRING WASHER 6	22217-060000	2	2	10	Z	
	CYLINDER LINER, w/rubber packing	724060-01900	2				
	CYLINDER LINER, w/rubber packing	724660-01900	2				
1- 33	.LINER, cylinder	*	2				Not Sold Separately.
	.LINER, cylinder	*	2				Not Sold Separately.
1- 34	.PACKING, cylinder liner	124060-01300	4	4	10		
1- 35	GASKET, cylinder head	124060-01330	1		5		
	GASKET, cylinder head	124660-01330	1		5		
1- 36	PLUG	121750-01920	1	1	10	W	
	PLUG NPTFL	171051-01920	1	1	10	N	
1- 37	PLUG 30	27243-300000	1	1	10	W	
1- 38	BOLT, cyl. head	124060-01201	4	4	10	W	\$
1- 39	BOLT M8 x 14, lower cover	121250-01710	12	12	10	W	E
		26106-080142	12	12	10	N	2TR13A E/#22083 2T73A E/#81243

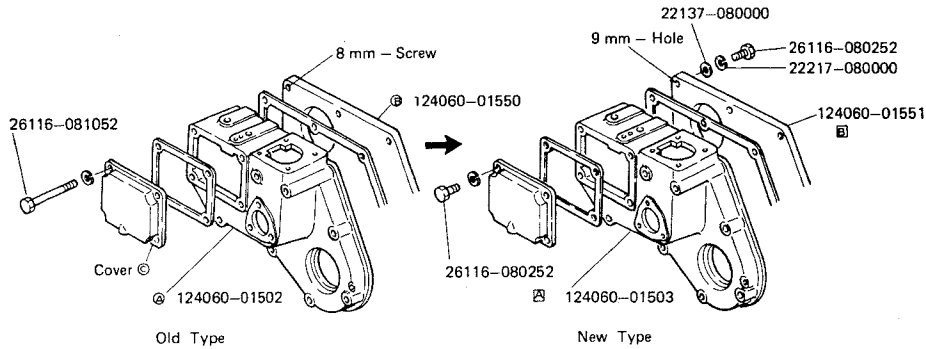
Remarks:

\$-marked parts: From Nov. 1979
 STUD(A) (Refer. No. 1-4 P/#124060-01200) 4 pcs. to fit the cylinder head changed to HEX. BOLT (P/#124060-01201). Simultaneously, NUT (Refer. No. 1-6, P/#104300-01220) 4 pcs, and WASHER (Refer. No. 1-7, P/#103338-01240) 4 pcs. is continued.
 Interchangeable if these changes are put into practice simultaneously.
 E: Changed from BOLT (Ref. No. 1-17) (26116-080162) 12 pcs. and WASHER (Ref. No. 1-18) (22137-080000) but interchangeable.

Re. Parts Supply of Timing Gear Case & Its Flange

These parts are changed as shown below from May, 1976:

M E M O



	Old Type	New Type
TIMING GEAR CASE ASS'Y	724060-01502	724060-01613
TIMING GEAR CASE	⊕ 124060-01502	⊞ 124060-01503
FLANGE, timing gear case	⊕ 124060-01550	⊞ 124060-01551

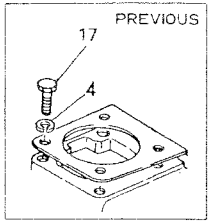
Although we shall supply you with these parts of both the Old Type and the New Type, it is possible to achieve interchangeability between these two types by the following parts replacement and additional processing:

1. In the case where the flange is of the Old Type and the case ass'y is of the New Type....
Adopt the same fitting method as for the New Type.
 - (a) Part required:

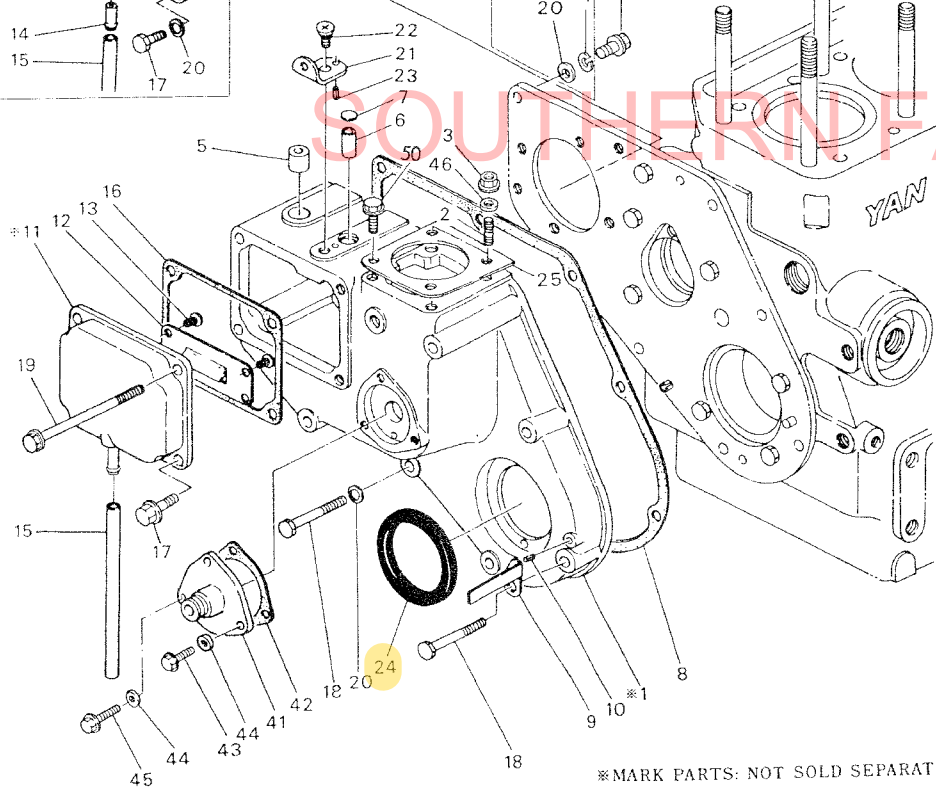
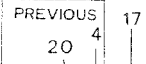
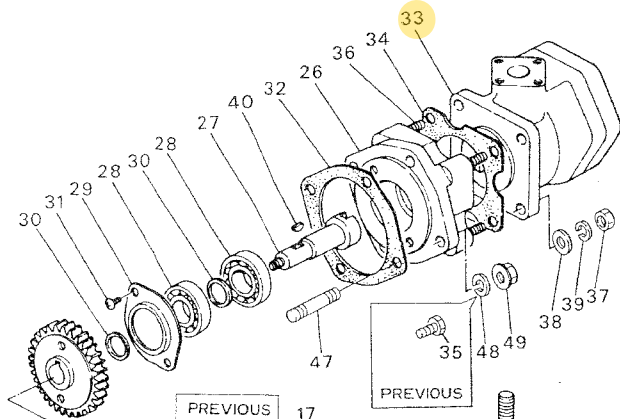
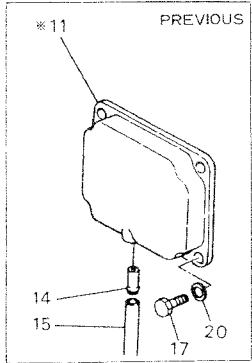
BOLT M8 x 25	(26116-080252)	2 pcs.
WASHER 8	(22137-080000)	1 pc.
SPRING WASHER 8	(22217-080000)	1 pc.
 - (b) Additional processing & fitting method: Process the 8 mm screw part of the (Old Type) flange to the 9 mm screw hole, and tighten the flange together with the case cover ⊙ to the case by means of M8 x 25 bolts, WASHER 8 and SPRING WASHER 8.

2. In the case where the flange is of the New Type and the case ass'y is of the Old Type ...
Adopt the same fitting method as the Old Type.
 - (a) Parts required:

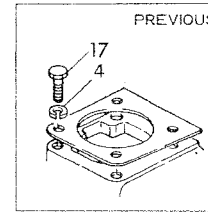
BOLT M8 x 115	(26116-081152)	1 pc.
NUT M8	(26716-080002)	1 pc.
SPRING WASHER 8	(22217-080000)	1 pc.
WASHER 8	(22137-080000)	1 pc.
 - (b) Fitting method: Tighten the flange together with the cover ⊙ to the case by means of M8 x 115 bolt and M8 nut.



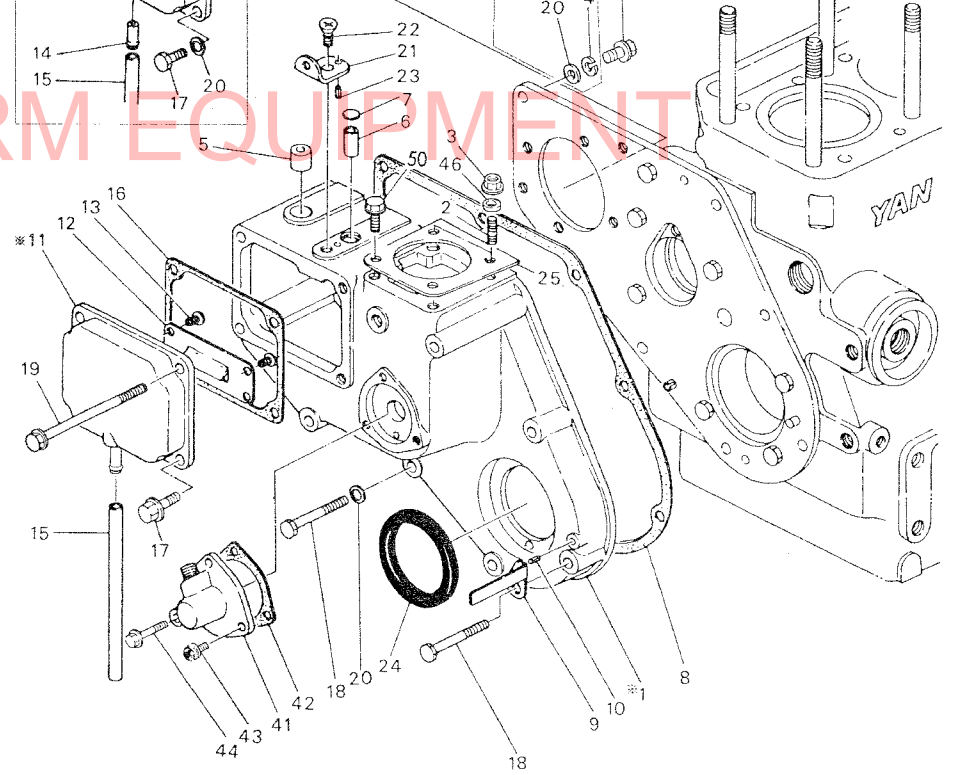
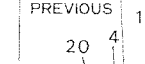
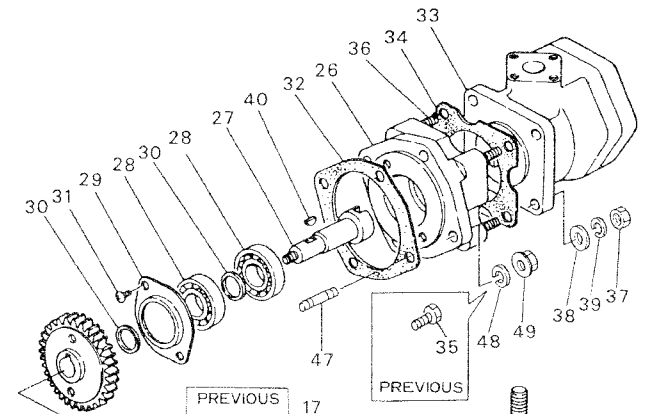
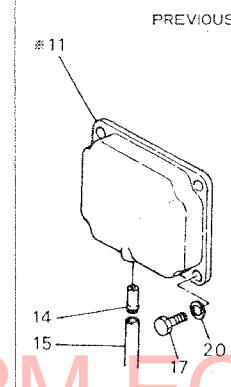
2. GEAR CASE (2T73A·YM135/YM135D)



※MARK PARTS: NOT SOLD SEPARATELY.



2. GEAR CASE (2TR13A·YM155/YM155D)



※MARK PARTS: NOT SOLD SEPARATELY.

2. GEAR CASE

Refer. No.	Description	Part No.	Qty/Unit		Interchangeability	Design-change Mark	Remarks
			2TR13A	2T73A			
	CASE ASS'Y, timing gear	724060-01502	1	1			
	CASE ASS'Y, timing gear	724060-01613	1	1	F		
2- 1	.GEAR CASE	*	1	1			Not Sold Separately. (124060-01503)
2- 2	.STUD M8 x 22	26226-080222	2	2	10		
2- 3	.NUT M8	26716-080002	2	2	10		
	.NUT M8	26366-080002	2	2	10	N	
2- 4	.SPRING WASHER 8	22217-080000	3	3	10	Z	
2- 5	.BUSH, regulator handle shaft	124060-01900	1	1	10		
2- 6	.BUSH, governor lever shaft	124060-01910	1	1	10		
2- 7	.PLUG 15	27233-150000	1	1	10		
2- 8	PACKING, gear case	124060-01511	1	1			
	PACKING, gear case	124060-01512	1	1	10	N	
	PACKING, gear case	104060-01511	1	1	10	N	
2- 9	POINTER, V-pulley	124060-07300	1	1			
2- 10	SPRING PIN 4AW x 8	22351-040008	1	1	10		
	COVER ASS'Y, pump timing adjust	724060-01520	1	1			
2- 11	.COVER	*	1	1			Not Sold Separately. (124060-01520)
2- 12	.PLATE, breather baffle	124060-03080	1	1			
2- 13	.SCREW M6 x 10	26557-060102	4	4	10		
2- 14	.JOINT, pipe	124060-03200	1	1		Z	
2- 15	.PIPE 9d-150L	23065-090150	1	1			
	.PIPE 14d-150L	23065-140150	1	1		S	
2- 16	PACKING, cover	124060-01530	1	1			
	PACKING, cover	124060-01531	1	1	10	N	
	PACKING, cover	124060-01532	1	1	10	N	

2. GEAR CASE

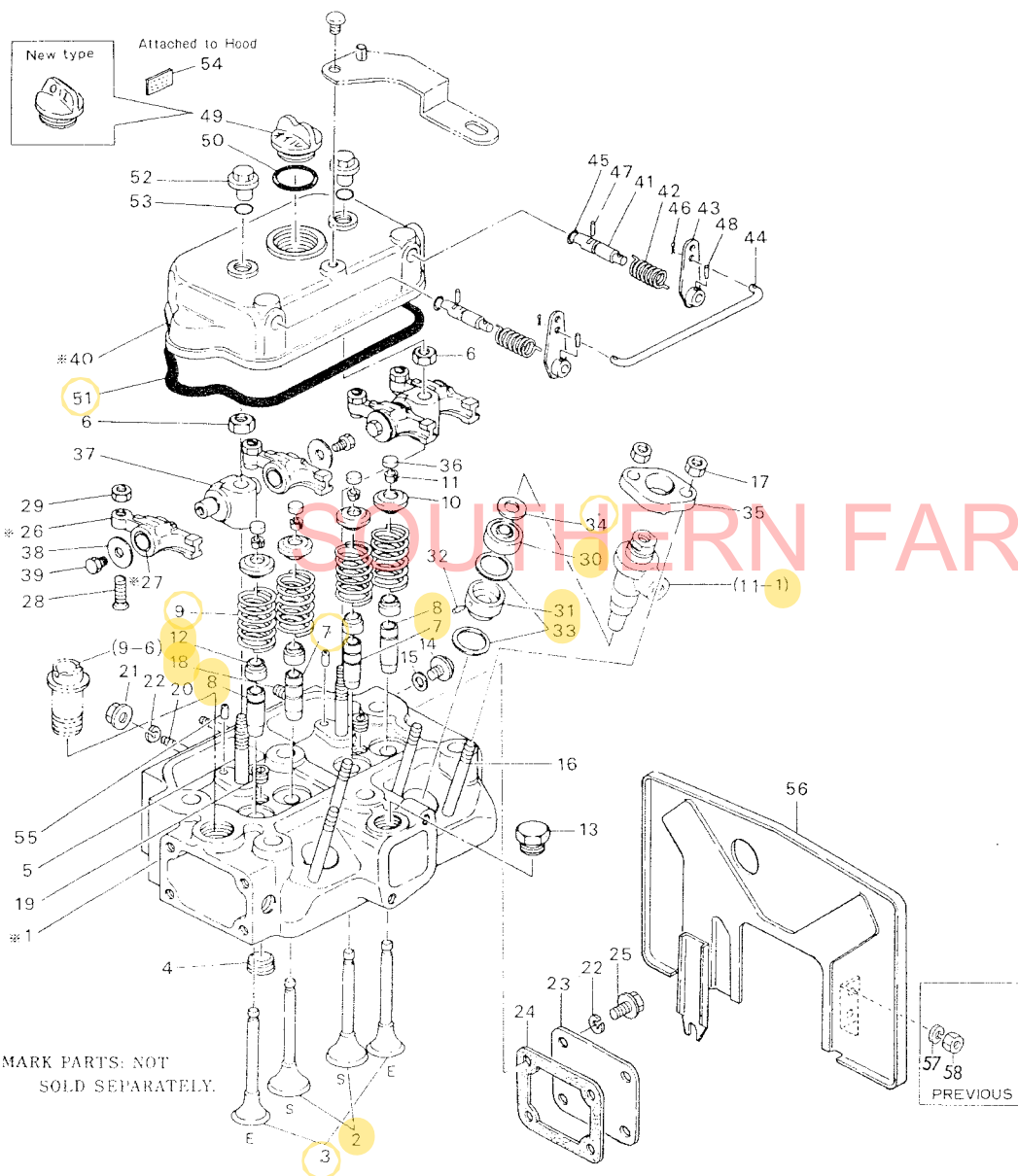
Refer. No.	Description	Part No.	Qty/Unit		Interchangeability	Design-change Mark	Remarks
			2TR13A	2T73A			
2- 17	BOLT M8 x 25, plated	26116-080252	5	5	10		
	BOLT M8 x 22	26106-080222	3	3	10	N	
2- 18	BOLT M8 x 55, plated	26116-080552	4	4	10		
	BOLT M8 x 55	26106-080552	4	4	10	N	
2- 19	BOLT M8 x 105	26116-081052	5	5	10		
	BOLT M8 x 105	26106-081052	4	4	10	N	
2- 20	WASHER 8	22137-080000	10	10	10	Z	
2- 21	BRACKET, bolt	124060-01570	1	1			
2- 22	SCREW M8 x 18, plated	26557-080182	1	1	10		
	SCREW M8 x 12	26557-080122	1	1	10	N	
2- 23	SPRING PIN 4BV x 8	22354-040008	1	1	10		
	SPRING PIN 4AW x 8	22351-040008	1	1	10	N	
2- 24	OIL SEAL	124450-01800	1	1	10		
2- 25	SHIM, f.i. pump	124550-51950	1	1	5		
	SHIM, f.i. pump	124550-51951	1	1	10	N	
	DRIVING ASS'Y, hydraulic pump	124060-26101	1	1		W	
2- 26	BRACKET, hydraulic pump	124060-26051	1	1			
	BRACKET, hydraulic pump	124060-26052	1	1		N	
2- 27	SHAFT, pump driving	124060-26401	1	1			
2- 28	BALL BEARING 6203ZZ	24107-062034	2	2			
2- 29	RETAINER, bearing	124060-26410	1	1			
2- 30	SPACER, bearing	124060-26420	2	2	10		
2- 31	SCREW M5 x 8	26587-080082	2	2	10		
2- 32	PACKING, bracket	124060-26061	1	1	10		
	PACKING, bracket	124060-26062	1	1	10	N	
	PACKING, bracket	124060-26063	1	1	10	N	
2- 33	PUMP ASS'Y, hydraulic oil	124064-26020	1	1			

2. GEAR CASE

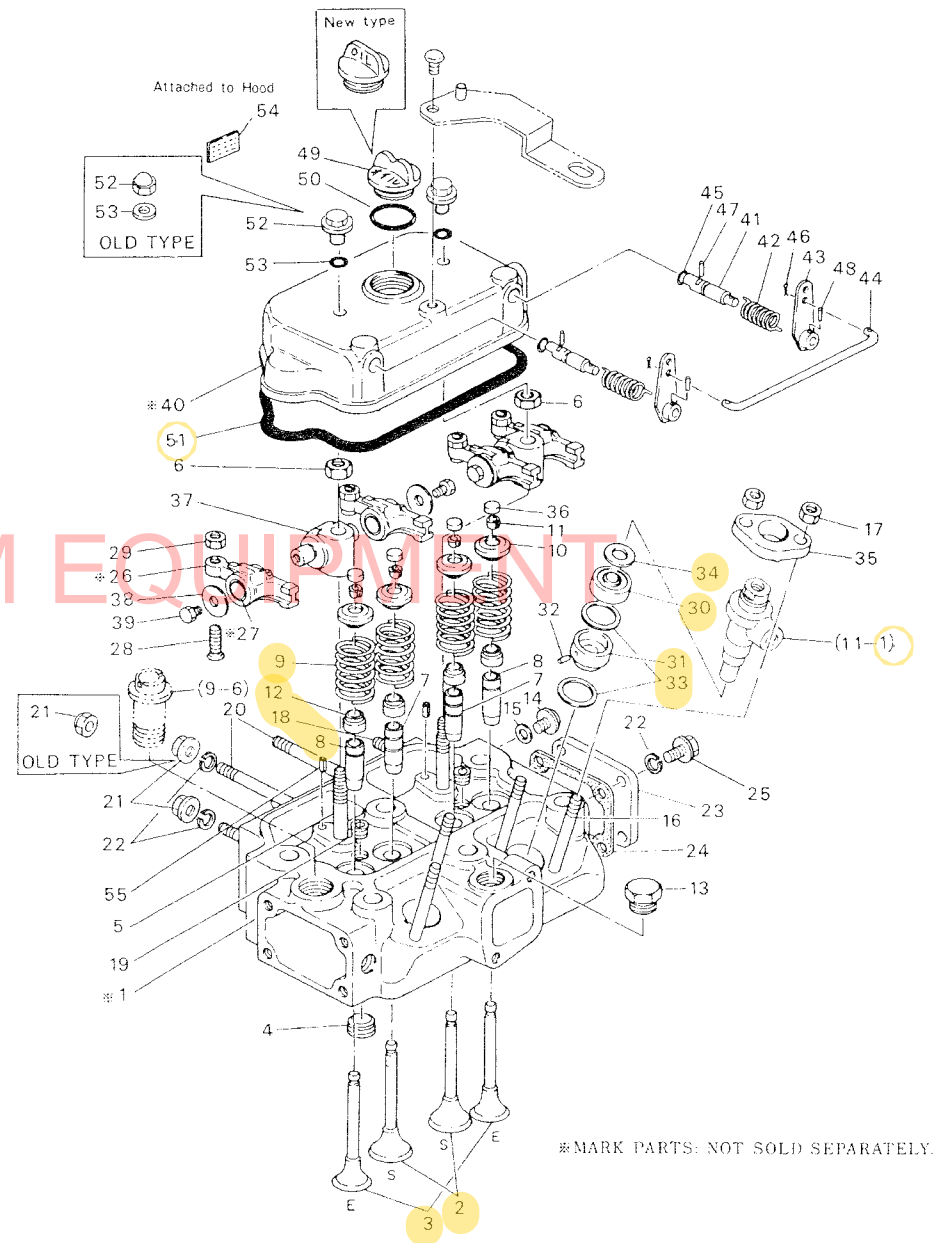
Refer. No.	Description	Part No.	Qty/Unit		Inter-change-ability	Design-change Mark	Remarks
			2FR13A	2T73A			
2- 34	PACKING, hydraulic oil pump	124060-01881	1	1	10		
	PACKING, hydraulic	124060-01882	1	1	10	N	
	PACKING, hydraulic	124060-01883	1	1	10	N	
2- 35	BOLT M8 x 20	26116-080202	4	4	10	Z	
2- 36	STUD M8 x 22	26216-080222	4	4	10		
2- 37	NUT M8	26716-080002	4	4	10		
2- 38	WASHER 8	22137-080000	4	4	10		
2- 39	SPRING WASHER 8	22217-080000	4	4	10		
2- 40	KEY 4 x 13	22522-040130	1	1	10		
2- 41	GEAR UNIT, tachometer or hour meter	124250-91400	1				
	CONNECTOR, tachometer	124756-01550	1				
2- 42	PACKING, gear unit	124250-91411	1	1			
	PACKING, gear unit	124250-91412	1	1	10	N	
2- 43	BOLT M6 x 12	26116-060122	2			Z	
	BOLT M6 x 16	26116-060162		3	10		
	BOLT M6 x 16	26116-060162	2	2	10	K&N	[4]
	BOLT M6 x 14	26106-060142	2	2	10	N	
2- 44	BOLT M6 x 30	26116-060306	1		10		
	BOLT M6 x 32	26116-060326	1		10	N	
	BOLT M6 x 30	26106-060302	1		10	N	
	PACKING 6	23414-060000	3	3	10		
	WASHER 6	22117-060000	3	3	10		
2- 45	BOLT M6 x 16	26116-060166		1	10	W	[4]
	BOLT M6 x 14	26106-060142		1	10	N	
2- 46	SEAL WASHER 8	43400-500410	2	2	10	W	
2- 47	STUD	124060-01580	4	4	10	W	
2- 48	SPRING WASHER 8	22217-080000	4	4	10	W	
2- 49	NUT M8	26716-080002	4	4	10	W	
	NUT M8	26366-080002		4	10	N	
2- 50	BOLT M8 x 25	26106-080252	2	2	10	W	

SOUTHERN FARM EQUIPMENT

3. CYLINDER HEAD (2T73A·YM135/YM135D)



3. CYLINDER HEAD (2TR13A·YM155/YM155D)



3. CYLINDER HEAD

Refer. No.	Description	Part No.	Q'ty/Unit		Inter-change-ability	Design-change Mark	Remarks
			2TR13A	2T73A			
	HEAD ASS'Y, cylinder	724660-11700		1			Inc. 3-1 22, 9-6, 3-55
	HEAD ASS'T, cylinder	724060-11701		1			Inc. 3-1 22, 9-6, 3-55
3- 1	HEAD, cylinder	*		1			Not Sold Separately. (124660-11010)
	HEAD, cylinder	*		1			Not Sold Separately. (124060-11010)
3- 2	VALVE, suction	104200-11100	2	2	10		
3- 3	VALVE, exhaust	104200-11110	2	2	10		
3- 4	PLUG PTL/2	124060-11510	1	1	10		
	PLUG PTL/2	23873-040000	1	1	1	N	
3- 5	STUD,	104200-11350	2	2	10		
	valve rocket arm support						
	STUD	106100-11350	2	2	10	N	
3- 6	NUT M10	26736-100002	2	2	10		
	NUT M10	26602-100002	2	2	10	N	
3- 7	VALVE GUIDE, suction	124060-11160	2	2	10		
3- 8	VALVE GUIDE, exhaust	124060-11170	2	2	10		
	VALVE GUIDE, exhaust	128272-11170	2	2	10	S	2TR13A-E/# 30559
3- 9	SPRING,	124060-11120	4	4	10		
	suction & exhaust valve						
3- 10	RETAINER, valve spring	104200-11180	4	4	10		
3- 11	COTTER, valve	101158-11190	4	4	10		
	COTTER, valve	27310-070000	4	4	10	N	
3- 12	SEAL, valve stem	124160-11340	4	4	10		
3- 13	PLUG	124450-11320	(1)	1	10		For 2TR13A Up to May, 1978.
3- 14	SCREW M8 x 10	26587-080102	1	1	10		
	BOLT M8 x 10	26106-080102	1	1	10	N	
3- 15	PACKING 8	23414-080000	1	1	10		
3- 16	STUD M8 x 70	26216-080002	4	4	10		
3- 17	NUT M8	26716-080002	4	4	10		
3- 18	STUD M8 x 16	26216-080162	2	2	10		

3. CYLINDER HEAD

Refer. No.	Description	Part No.	Q'ty/Unit		Inter-change-ability	Design-change Mark	Remarks
			2TR13A	2T73A			
3- 19	PLUG PTL/4	23873-020000	2	2	10		
3- 20	STUD M8 x 22	26216-080802	4	4	10		
	STUD M8 x 80	26216-080222	4	4	10	Z	[5]
	STUD M8 x 22	26212-080222	4	4	10	W	[5]
3- 21	NUT M8	26716-080002	4	4	10		
	NUT M8	26366-080002	4	4	10	N	
	CAP NUT M8	26657-080002	4	4	10		
	NUT M8	26716-080002	4	4	10	N	[5]
3- 22	SPRING WASHER 8	22212-080000	4	4	10		
	SPRING WASHER 8	22217-080000	8	8	10	N&K	
	SPRING WASHER 8	22217-080000	4	4	10	K	
3- 23	COVER, flywheel side	124450-11671	1	1	10		
	COVER, flywheel side	124450-11671	1	1	10	W	[3]
3- 24	PACKING	124450-11681	1	1	10		
3- 25	BOLT M8 x 12	26116-080122	4	4	10	Z	
	BOLT M8 x 14	26116-080142	4	4	10	W	
	BOLT M8 x 12	26106-080122	4	4	10	N	
(9- 6)	POINT, cooling water pipe	(124160-49480)	1	1	*		
	ARM ASS'Y, valve rocker	724060-11650	4	4	10		
3- 26	.ARM, rocker	*	4	4	10		Not Sold Separately. (124060-11200)
3- 27	.BUSH, rocker arm	*	4	4	10		Not Sold Separately. (124060-11220)
3- 28	.SCREW, valve clearance	101158-11230	4	4	10		
3- 29	.LOK NUT M8	26756-080002	4	4	10		
3- 30	CHAMBER (REAR), pre-combustion	124660-11410	2	2	10		
	CHAMBER (REAR), pre-combustion	104200-11410	2	2	10		

3. CYLINDER HEAD

Refer. No.	Description	Part No.	Qty/Unit		Inter-changeability	Design-change Mark	Remarks
			2TR13A	2T73A			
3- 31	CHAMBER (FRONT) w/PIN	104200-11420	2	2			
	CHAMBER (FRONT) w/PIN	106200-11400	2	2	N		
3- 32	.PIN, front pre-combustion chamber	103338-11430	2	2	10	Z	Up to Aug. 1979.
3- 33	PACKING	101204-11450	4	4	10		
	PACKING	101204-11452	4	4	10	N	
3- 34	INSULATOR	103854-11490	2	2	10		
3- 35	FLANGE, fuel injection valve	103854-11900	2	2			
3- 36	RETAINER, valve	104211-11370	2	2	10		
3- 37	SUPPORT, valve rocker arm	124060-11260	2	2			
3- 38	WASHER, valve rocker arm	124060-11290	4	4	10		
3- 39	BOLT M6 x 8	26116-060082	4	4	10		
	BONNET ASS'Y	724060-11520	1				
	BONNET ASS'Y	424060-11521	1	1		F	\$ inc. 3-40 50
3- 40	BONNET	*	1	1			Not Sold Separately. (124060-11300)
	BONNET	*	1	1		S	Not Sold Separately. (124060-11301)
3- 41	SHAFT, decompression	104200-03600	2	2			
3- 42	SPRING, decompression	104200-03641	2	2	10		
3- 43	LEVER, decompression	124060-03750	2	2			
3- 44	CONNECTOR, decompression lever	124060-03760	1	1			
3- 45	O-RING 7-P	24311-000070	2	2	10		
3- 46	COTTER PIN 2 x 10	22411-200100	2	2	10		
	COTTER PIN 2 x 20	22417-200200	2	2	10	N	
3- 47	PARALLEL PIN 3 x 18	22312-030180	2	2	10		
3- 48	TAPER PIN 3 x 16	22322-03-160	2	2	10		

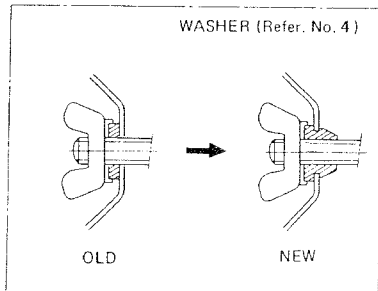
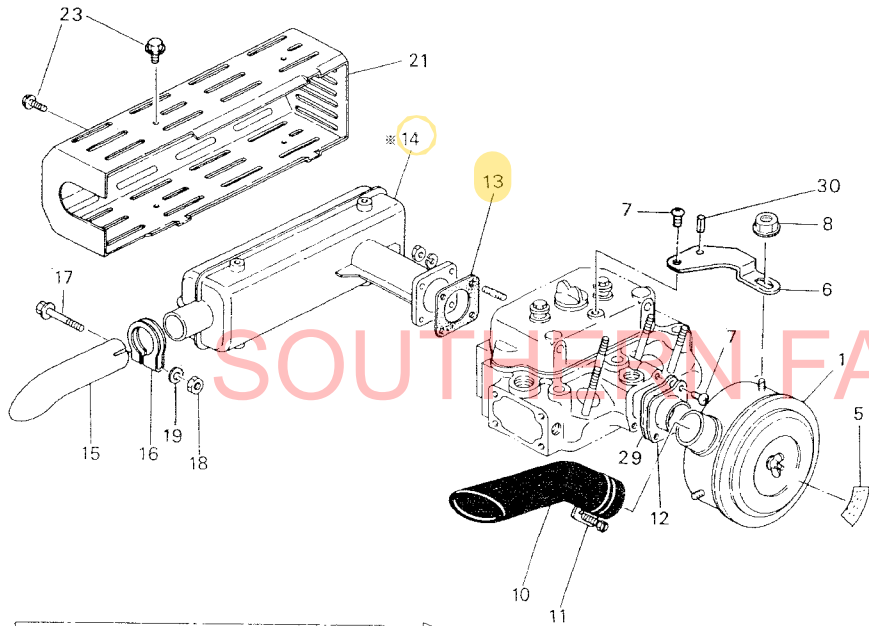
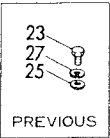
Remarks:
 &-marked parts: From May, 1975.
 Interchangeable provided CAP (Refer. No. 3-52 P/124160-11360) 2 pcs. and O-RING 12-P (Refer. No. 3-53 P/#24311-000120) 2 pcs. re replace together to with the original type.

3. CYLINDER HEAD

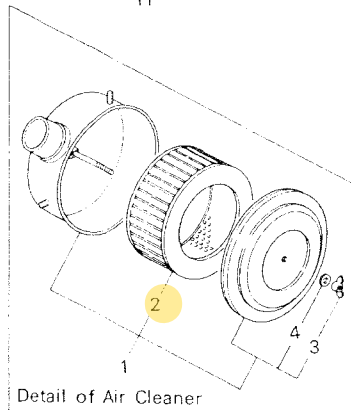
Refer. No.	Description	Part No.	Qty/Unit		Inter-changeability	Design-change Mark	Remarks
			2TR13A	2T73A			
3- 49	CAP, oil feed	124160-01750	1	1			
	CAP, oil feed	124160-01751	1	1		N	
3- 50	O-RING 35-G	24321-000350	1	1	10		
	O-RING 32-P	24311-000320	1	1	10	N	
3- 51	PACKING, bonnet (Sheet type)	124060-11310	1	1	10		
	PACKING, bonnet (O-Ring type)	124060-11311	1	1	10	S	[1]
3- 52	CAP, bonnet	124250-11811	2				
	CAP, bonnet	124160-11360	2	2		S	\$ From May, 1975
3- 53	PACKING 8	23414-080000	2				
	O-RING 12-P	24311-000120	2	2	10	S	\$ From May, 1975
3- 54	LABEL, draining engine coolant	124064-07150	1	1			
3- 55	SPRING PIN 6AW x 12	22351-060012	2	2	10		
	PIN, support	124060-11280	2	2	10	N	
3- 56	PLATE, shelter	124660-11670	1				
	PLATE, shelter	124660-11680	1			S	[3]
3- 57	SPRING WASHER 8	22217-080000	2			Z	
3- 58	NUT M8	26716-080002	2			Z	

Remarks:
 \$-marked parts: From May, 1975.
 Interchangeable provided CAP (Refer. No. 3-52 P/#124160-11360) 2 pcs., and O-ring 12-P (Refer. No. 3-53 P/#24311-000120) 2 pcs. and BONNET ASS'Y (P/#72060-11521) 1 set are replaced together with the original type.

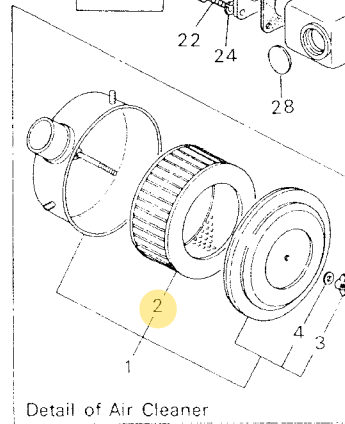
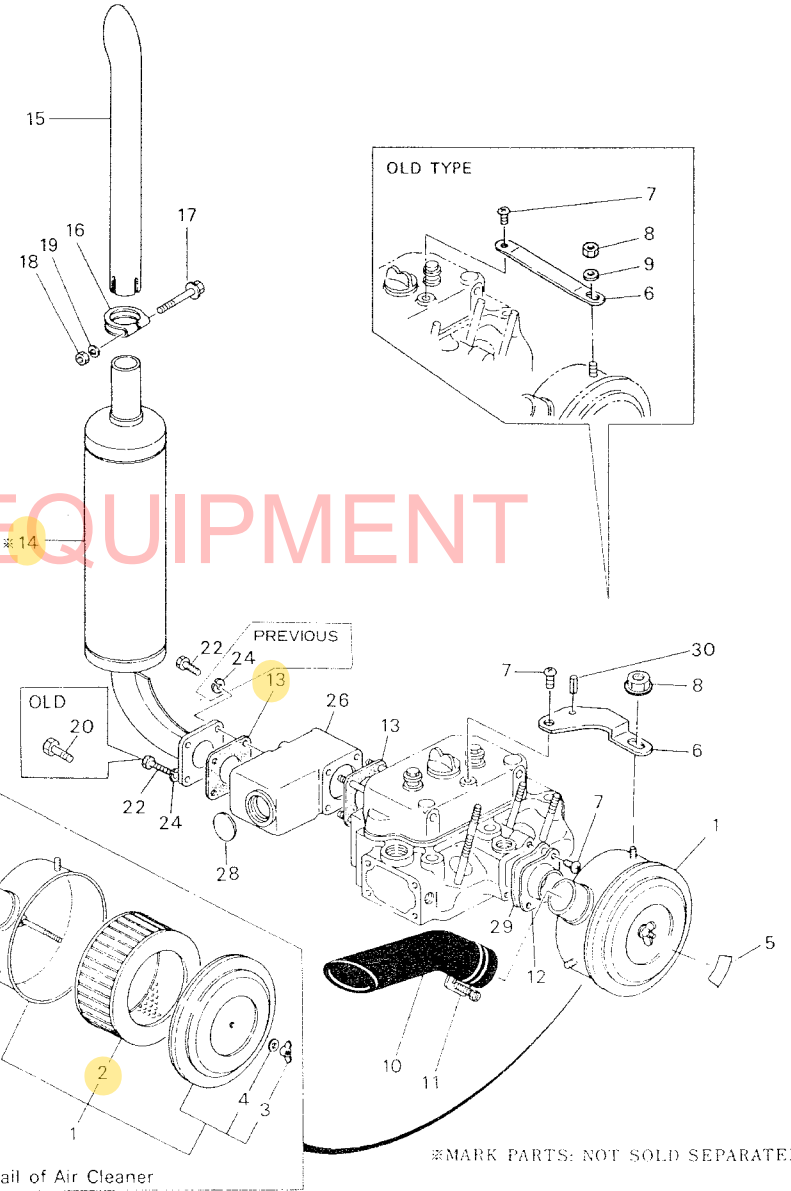
4. AIR CLEANER & SILENCER
 (2T73A·YM135/YM135D) & (2TR13A·YM155 NEW TYPE)
 From E/# 22344



*MARK PARTS: NOT SOLD SEPARATELY



4. AIR CLEANER & SILENCER
 (2TR13A·YM155/YM155D) & (2TR13A OLDTYPE)
 Up to E/# 22343



*MARK PARTS: NOT SOLD SEPARATELY

4. AIR CLEANER & SILENCER

Refer. No.	Description	Part No.	Qty/Unit		Inter-changeability	Design-change Mark	Remarks
			2TR13A	2T73A			
4- 1	AIR CLEANER	124060-12501	1	1			
	AIR CLEANER	124060-12502	1	1	N		2TR13A E/#02537 2T73A E/#00494
4- 2	ELEMENT, air cleaner	124060-12510	1	1			
4- 3	WING NUT	101147-12550	1	1			
4- 4	WASHER	124450-12570	1	1			Up to July, 1977
	WASHER	124450-12571	1	1	10	S	2TR13A G01966
4- 5	LABEL, cleaner caution	124064-12600	1	1			
4- 6	RETAINER, air cleaner	124060-12520	1	1			
	RETAINER, air cleaner	124060-12521	1	1	N		
4- 7	SCRE M8 x 12, plate	26557-080122	3	3	10		
	BOLT M8 x 12	26116-080122	3	3	10	N	
	BOLT M8 x 12	26106-080122	2	2	10	N	
4- 8	NUT M8, plate	26716-080002	1	1	10		
	NUT M8, plate	26366-080002	1	1	10	N	
4- 9	WASHER 8	22137-080000	1	1	10	Z	
4- 10	PIPE, air intake to cleaner	124060-12530	1	1			
4- 11	CLAMP 50	23010-050000	1	1	10		
4- 12	BRACKET, air cleaner	124060-12020	1	1			
4- 13	GASKET, silencer	124450-11900	2	1	10		
	GASKET, silencer	124450-11900	1	1	10	K	[5]
	GASKET, silencer	124701-11910	1	1	10	N	
	2nd SILENCER ASS'Y, exhaust	724160-13700	1			Z	[5] Inc. 4-14 23
	2nd SILENCER ASS'Y, exhaust	724660-13700	1			W	[5] 2TR13A E/#22343 2TR13A E/#22344
	SILENCER ASS'Y, exhaust	721454-13700	1			N	
	SILENCER ASS'Y, exhaust	724660-13700		1			2TR73A E/#81025
	SILENCER ASS'Y, exhaust	724664-13700		1		N	
4- 14	BODY, silencer	*	1			Z	Not Sold Separately.
	BODY, silencer	*	1			W	Not Sold Separately.
	BODY, silencer	*	1				Not Sold Separately.

4. AIR CLEANER & SILENCER

Refer. No.	Description	Part No.	Qty/Unit		Inter-changeability	Design-change Mark	Remarks
			2TR13A	2T73A			
4- 15	PIPE, 2nd silencer	124160-13570	1				
	PIPE, 2nd silencer	121250-13571	1			N	
	PIPE, 2nd silencer	121250-13571	1			Z	[5] E/#22344
	PIPE, silencer	121454-13651	1			W	
	PIPE, silencer	124600-13520		1			[5] E/#81025
	PIPE, silencer	121250-13571	1	1		W	[5] E/#22344
4- 16	CLAMP	121250-13580	1			Z	[5]
	CLAMP	124660-13530		1			Up to Oct. 1977
	CLAMP	103854-13580		1		N,Z	Up to E/#81024
	CLAMP	124664-13580	1			W	[5]
	CLAMP	121470-13580	1			N	
4- 17	BOLT M10 x 65	26116-100652	1	10		Z	[5]
	BOLT M10 x 50	26116-100502	1	10		W	[5]
	BOLT M10 x 50	26116-100502	1	10		W	[5]
	BOLT M8 x 60	26116-080602	1	1	10	W	[5]
	BOLT M8 x 65	26106-100652	1	1	10	N	
	BOLT M8 x 60	26106-080602		1	10	N	
4- 18	NUT M10	26716-100002	1	1	10	Z	
	NUT M8	26716-080002	1	1	10	W	[5]
	NUT M10	26706-100002	1		10	N	
	NUT M8	26366-080002		1	10	N	
4- 19	SPRING WASHER 10	22217-100000	1	1	10	Z	
	SPRING WASHER 8	22217-080000	1	1	10	W	
	SPRING WASHER 10	22217-100000	1		10	N	
4- 20	BOLT M8 x 25, plated	26116-080252	1		10	Z	[4]
4- 21	COVER, silencer	124660-13540		1			
	COVER, silencer	124660-13540	1			W,Z	[5]
	COVER, silencer	124664-13540		1		N	

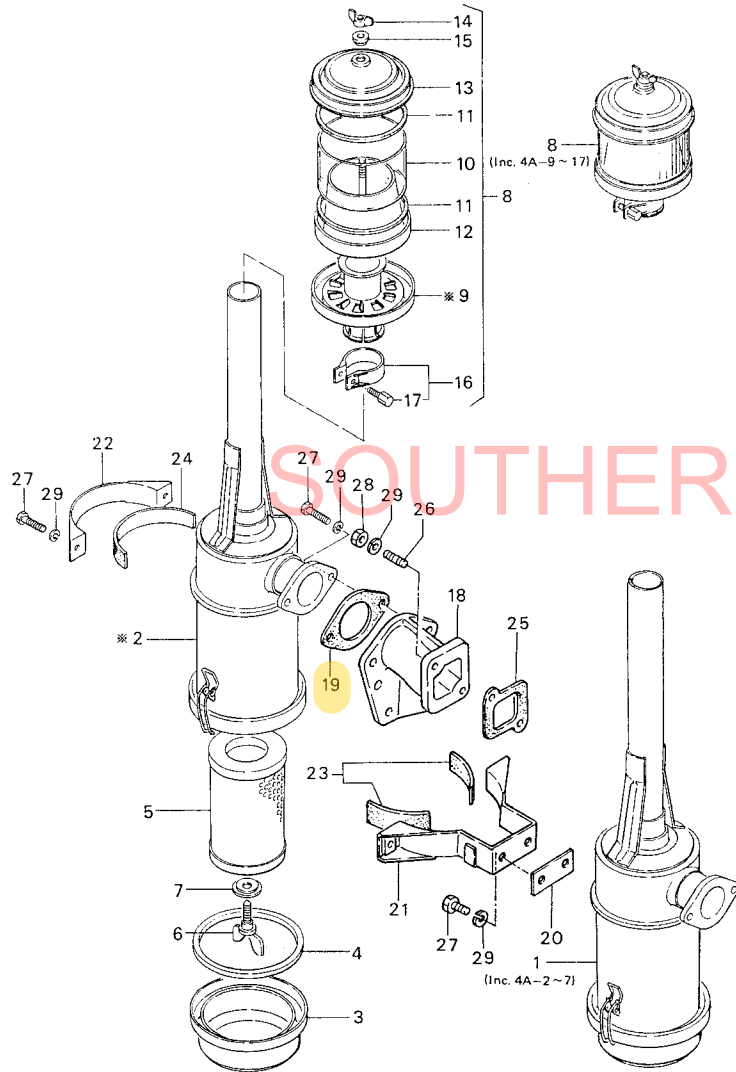
4. AIR CLEANER & SILENCER

Refer. No.	Description	Part No.	Qty/Unit		Inter-changeability	Design-change Mark	Remarks
			2TR13A	2T73A			
4- 22	BOLT M8 x 22, plated	26117-080222	3	10			
	BOLT M8 x 22, plated	26116-080222	4	10	N&K	[4]	
	BOLT M8 x 22, plated	26116-080222	4		Z	[5]	
4- 23	BOLT M6 x 10, plated	26116-060102	6	10			
	BOLT M6 x 10, plated	26116-060102	5	10	W	[5]	
	BOLT M6 x 10, plated	26106-060102	6	10	N		
4- 24	SPRING WASHER 8	22217-080000	4	10	Z	[5]	
4- 25	WASHER 6	22137-060000	6	10			
	WASHER 6	22137-060000	6	10	W,Z		
4- 26	1st SILENCER, exhaust	124060-13811	1		Z	[5]	
4- 27	SPRING WASHER 6	22217-060000	6	10			
	SPRING WASHER 6	22217-060000	6	10	W,Z	[5]	
4- 28	PLUG 35	27231-350000	2	10			
	PLUG 35	27233-350000	2	10	N		
	PLUG 35	27233-350000	2		Z	[5]	
4- 29	PACKING, bracket	124060-12030	1	1 10	W		2TR13A E/#01031 2T73A E/#00282
4- 30	SPRING PIN 4AW x 12	22351-040012	1	1 10	W		
4- 31	BOLT M8 x 14	26106-080142	1	1 10	W		

SOUTHERN FARM EQUIPMENT

4A. AIR CLEANER (With Pre-cleaner)

4A. AIR CLEANER (With Pre-cleaner)



*MARK PARTS: NOT SOLD SEPARATELY.

Refer. No.	Description	Part No.	Qty/Unit		Inter-change-ability	Design-change Mark	Remarks
			2TR13A	2T73A			
4A-1	CLEANER ASS'Y, air	124064-12500	1	1			
4A-2	.BODY, cyclon type cleaner	*	1	1	*		Not Sold Separately. (124064-12650)
4A-3	.PAN, dust	124064-12660	1	1			
4A-4	.BAFFLE	124064-12670	1	1			
4A-5	.ELEMENT	124064-12510	1	1			
4A-6	.BOLT, wing	124064-12680	1	1			
4A-7	.WASHER, seal	124064-12690	1	1	10		
4A-8	PRE-CLEANER ASS'Y 115h	124064-12400	1	1			
4A-9	.BODY, pre-cleaner 129d	*	1	1	*		Not Sold Separately. (124064-12410)
4A-10	.TUBE 124d	124064-12420	1	1			
4A-11	.GASKET, tube	124064-12430	2	2	10		
4A-12	.CASE w/GASKET	124064-12470	1	1			Inc. 4A-11
4A-13	.COVER (UPPER) w/GASKET	124064-12440	1	1			Inc. 4A-11
4A-14	.WING NUT	101147-12550	1	1	10		
4A-15	.WASHER, seal	124450-12571	1	1	10		
4A-16	.CLAMP, pre-cleaner	124064-12450	1	1			Inc. 4A-17
4A-17	.BOLT, clamp	124064-12460	1	1	10		
4A-18	BRACKET, air cleaner	124067-12100	1	1			
4A-19	PACKING, air cleaner	124067-12050	1	1	10		
4A-20	PACKING, cleaner bracket	124067-12060	1	1	10	Z	Up to May, 1978.
4A-21	BRACE(A), cleaner	124064012550	1	1			
4A-22	BRACE(B), cleaner	124064012560	1	1			

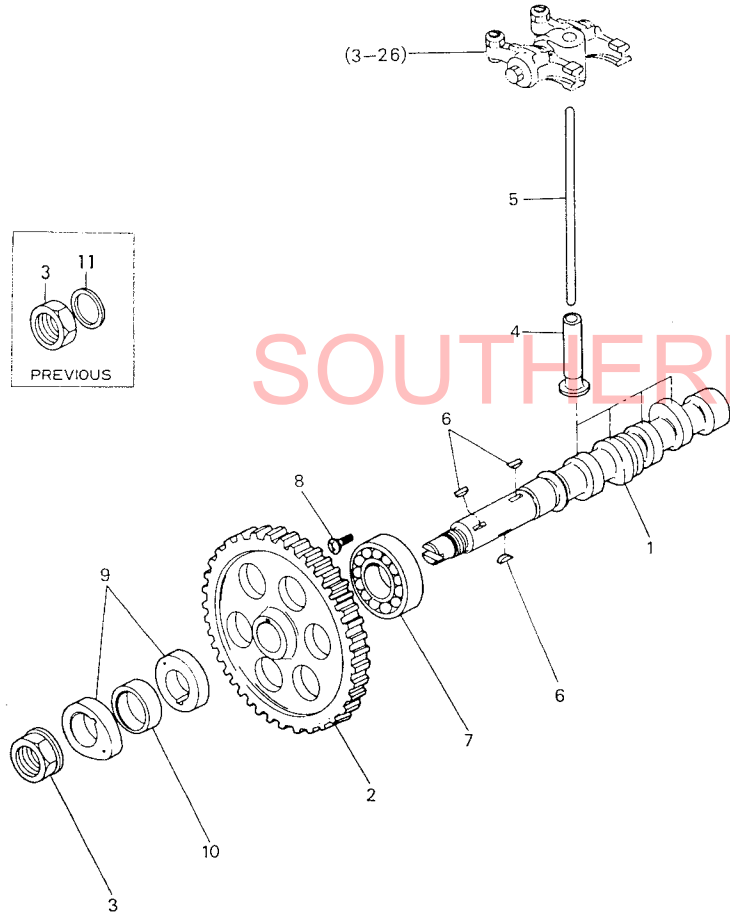
4A. AIR CLEANER (With Pre-cleaner)

M E M O

Refer. No.	Description	Part No.	Q'ty/Unit		Inter-change-ability	Design-change Mark	Remarks
			2TR13A	2T13A			
4A-23	SEAT(A), brace	124064-12570	2	2	10		
4A-24	SEAT(B), brace	124064-12580	1	1	10		
4A-25	PACKING, bracket	124064-12030	1	1	10		Misprint
4A-26	STUD M8 x 22	124060- 26216-080222	2	2	10		
4A-27	BOLT M8 x 22	26116-080222	6	6	10		
4A-28	NUT M8	26714-080002	4	4			
4A-29	SPRING WASHER 8	22217-080000	8	8	10		

SOUTHERN FARM EQUIPMENT

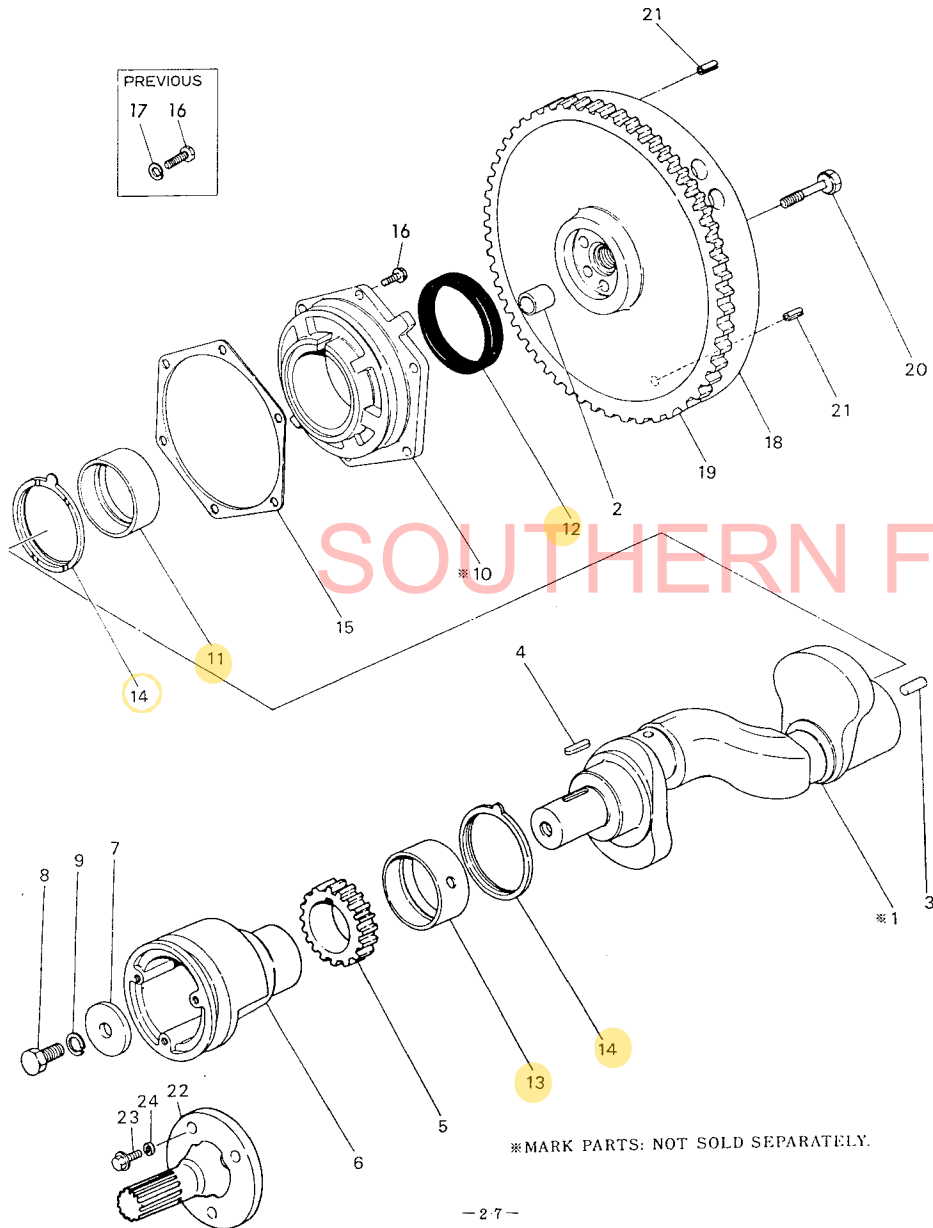
5. CAMSHAFT



5. CAMSHAFT

Refer. No.	Description	Part No.	Qty/Unit		Inter-change-ability	Design-change Mark	Remarks
			2TR3A	2T73A			
5- 1	CAMSHAFT	124060-14010	1	1			
5- 2	GEAR, camshaft	124060-14100	1	1			
5- 3	NUT, camshaft gear fitting	104300-76460	1	1			
	NUT	121450-14120	1	1	N		
5- 4	TAPPET	104200-14200	4	4			
5- 5	PUSH ROD, valve	124060-14400	4	4			
5- 6	KEY 5 x 19	22522-050190	3	3	10		
5- 7	BALL BEARING, camshaft	24101-062054	1	1			
5- 8	SCREW MB x 10	26487-080102	1	1	10		
5- 9	CAM, fuel	124060-14090	2	2			
5- 10	SPACER, fuel cam	124060-14950	1	1			
5- 11	WASHER	124060-14470	1	1	Z		

6. MAIN BEARING & CRANKSHAFT



6. MAIN BEARING & CRANKSHAFT

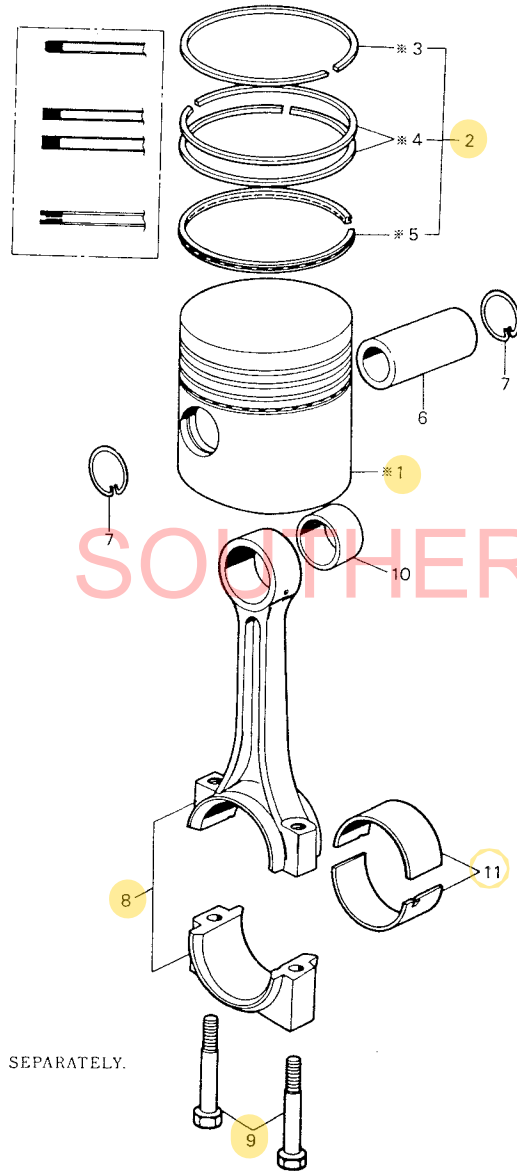
Refer. No.	Description	Part No.	Qty/Unit		Inter-change-ability	Design-change Mark	Remarks
			2TRISA	2T75A			
	CRANKSHAFT ASS'Y	724060-21700	1	1			
6- 1	.CRANKSHAFT	*	1	1			Not Sold Separately.
6- 2	.BUSH, pilot	124450-21230	1	1			
6- 3	.PARALLEL PIN 8 x 16	22312-080160	1	1	10		
6- 4	.KEY 7 x 30	22512-070330	1	1	10		
	.KEY 7 x 28	22512-070282	1	1	10	N	
6- 5	GEAR, crankshaft	124060-21200	1	1			
6- 6	V-PULLEY, P.T.O. to crankshaft	124060-21650	1	1			
6- 7	WASHER, V-pulley	114060-21660	1	1			
6- 8	BOLT M12 x 25	26156-120252	1	1	10		
	BOLT, V-pulley	105582-21950	1	1	10	N	
6- 9	SPRING WASHER 12	22217-120000	1	1	10		
	HOUSING ASS'Y, main bearing	724060-02500	1	1			
6- 10	.HOUSING	*	1	1			Not Sold Separately. (124060-02010)
6- 11	.MAIN BEARING	124060-02100	1	1			
	.MAIN BEARING	124060-02101	1	1		N	
	.MAIN BEARING	121550-02110	1	1		N	
6- 12	.OIL SEAL, crankshaft	124060-02220	1	1	10		
6- 13	MAIN BEARING, V-pulley side	124060-02100	1	1			
	MAIN BEARING, V-pulley side	124060-02101	1	1		N	
	MAIN BEARING, V-pulley side	121550-02110	1	1		N	
6- 14	THRUST BEARING	124060-02110	2	2	10		
6- 15	BACKING, main bearing housing	124060-02020	1	1	10		
6- 16	BOLT M8 x 22, plated	26116-080222	6	6	10		
	BOLT M8 x 22	26013-080222	6	6	10	N	
6- 17	SPRING WASHER 8	22217-08000	6	6	10	Z	

6. MAIN BEARING & CRANKSHAFT

Refer. No.	Description	Part No.	Q'ty/Unit		Sales Unit	Inter-change-ability	Design-change Mark	Remarks
			2TR13A	2T73A				
6- 18	FLYWHEEL w/RING GEAR	124060-21590	1	1				
6- 19	.RING GEAR	124060-21600	1	1				
6- 20	BOLT, flywheel fitting	124160-21500	5	5	10			
	BOLT	124160-21501	5	5	10	N		
6- 21	SPRING PIN 8AW x 16	(22351-080016)	2	2	10			
6- 22	SHAFT, front P.T.O.	124060-21680	1	1				
6- 23	BOLT M10 x 25	26116-100252	3	3	10			
	BOLT M10 x 25	26106-100252	3	3	10	N		
6- 24	SPRING WASHER 10	22217-100000	3	3	10			
6- 25	"Exclusive Spare Parts" (Undersize Bearing) MAIN BEARING (0.25 US)	124064-02130	2	2				

SOUTHERN FARM EQUIPMENT

7. PISTON & CONNECTING ROD

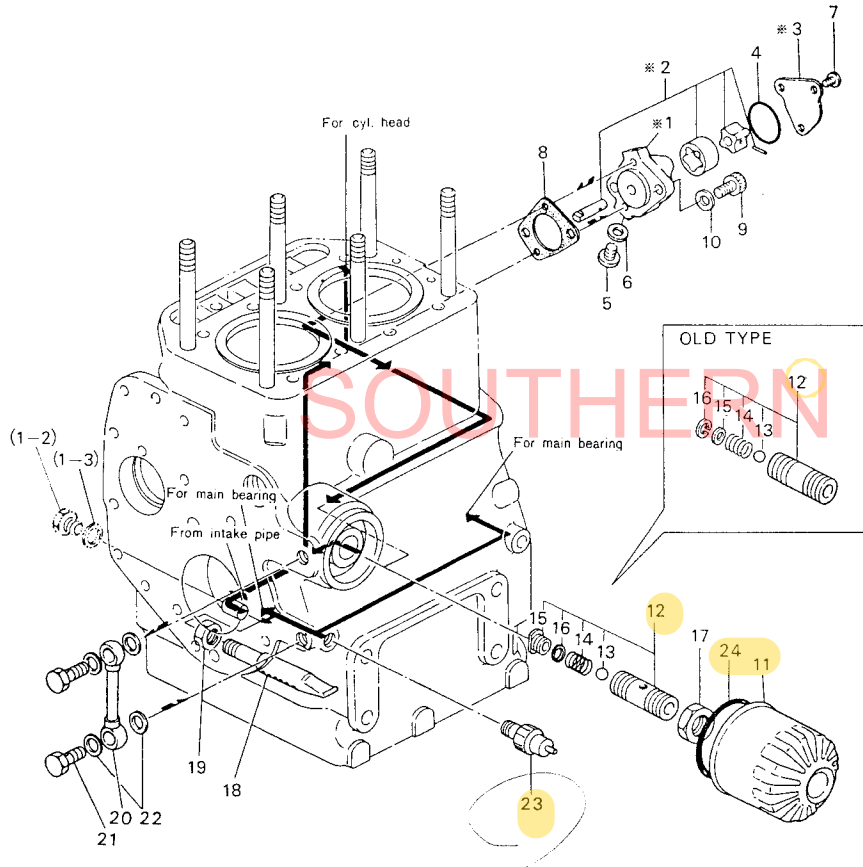


*MARK PARTS: NOT SOLD SEPARATELY.

7. PISTON & CONNECTING ROD

Refer. No.	Description	Part No.	Q'ty/Unit			Inter-change-ability	Design-change Mark	Remarks
			2173A	2173A	Sales Unit			
	PISTON w/RINGS	124060-22090	2					
	PISTON w/RINGS	724060-22721	2			N		
	PISTON w/RINGS	724060-22722	2			N		
	PISTON w/RINGS	724660-22722		2				
7- 1	.PISTON	*	2					Not Sold Separately.
	.PISTON	*	2					Not Sold Separately.
7- 2	.PISTON RING SET	704200-22500	2	5				
	.PISTON RING SET	724066-22510- 22501	2	5		N		Misprint
	.PISTON RING SET	724066- 22500 724660-	2	5				Misprint
7- 3	PISTON RING, No. 1	*	2					Not Sold Separately.
	PISTON RING, No. 1	*	2					Not Sold Separately.
7- 4	PISTON RING, No. 2 & 3	*	4					Not Sold Separately.
	PISTON RING, No. 2 & 3	*	4					Not Sold Separately.
7- 5	OIL RING	*	2					Not Sold Separately.
	OIL RING	*	2					Not Sold Separately.
7- 6	PIN, piston	104200-22300	2					
	PIN, piston	104660- 22300 124060-	2					Misprint
7- 7	CIRCLIP, piston pin	172100-22400	4	4	10			
7- 8	CONNECTING ROD ASS'Y	724660-23100	2	2				
	CONNECTING ROD ASS'Y	724060-23100	2			N		
7- 9	.BOLT, connecting rod	124060-23201	4	4	2			
	.BOLT	104500-23201	4	2		N		
7- 10	.BUSH, piston pin	124060-23100	2	2				
7- 11	.CRANK PIN BEARING	124060-23300	2	2				
	"Exclusive Spare Parts" (Undersize Bearing)							
7- 12	CRANK PIN BEARING (0.25US)	124064-23350	2	2				
	CRANK PIN BEARING (0.25US)	724064-23610	2	2		N		

8. LUBRICATING OIL SYSTEM



*MARK PARTS: NOT SOLD SEPARATELY.

8. LUBRICATING OIL SYSTEM

Refer. No.	Description	Part No.	Qty/Unit		Interchangeability	Design-change Mark	Remarks
			2TR13A	2TV3A			
	PUMP ASS'Y, lub. oil	724060-32701	1	1			
8- 1	.PUMP BODY, lub. oil	*	1	1			Not Sold Separately. (124060-32000)
8- 2	.ROTOR ASS'Y	*	1	1			Not Sold Separately. (124060-32011)
8- 3	.COVER, pump	*	1	1			Not Sold Separately. (124060-32070)
8- 4	.O-RING	103338-32570	1	1	10		
8- 5	.PLUG	124060-32990	2	2	10		
8- 6	.PACKING 8	23414-080000	2	2	10		
8- 7	.SCREW M6 x 10	26587-060102	3	3	10		
8- 8	PACKING, Lub. oil pump	124060-32091	1	1	10		
	PACKING, Lub. oil pump	124060-32092	1	1	10	N	
8- 9	BOLT M8 x 25	26450-080252	2	2	10		
8- 10	WASHER	124060-32130	2	2	10		
8- 11	STRAINER, lub. oil	124450-35100	1	1			Inc. 8-24
8- 12	VALVE ASS'Y, pressure regulating	124450-35301	1	1			Up to Oct. 1977
	VALVE ASS'Y, pressure control	121250-35300	1	1		N	2TR13A E/#02368
	VALVE ASS'Y, pressure control	124085-35300	1	1		N	
8- 13	STEEL BALL 5/16	24190-100001	1	1	10		
8- 14	SPRING, pressure adjusting	124450-35320	1	1	10		
	SPRING, pressure adjusting	121250-35320	1	1	10	S	
8- 15	SPRING SHOE, pressure adjusting	124450-35330	1	1	10		
	SPRING SHOE, pressure adjusting	121250-35330	1	1	10	S	
8- 16	CIRCLIP 10	22252-000100	1	1	10	Z	
	SHIM	121250-35340	1	1	10	W	
8- 17	LOCK NUT	124450-35350	1	1	10		
	LOCK NUT	124085-35350	1	1	10	N	

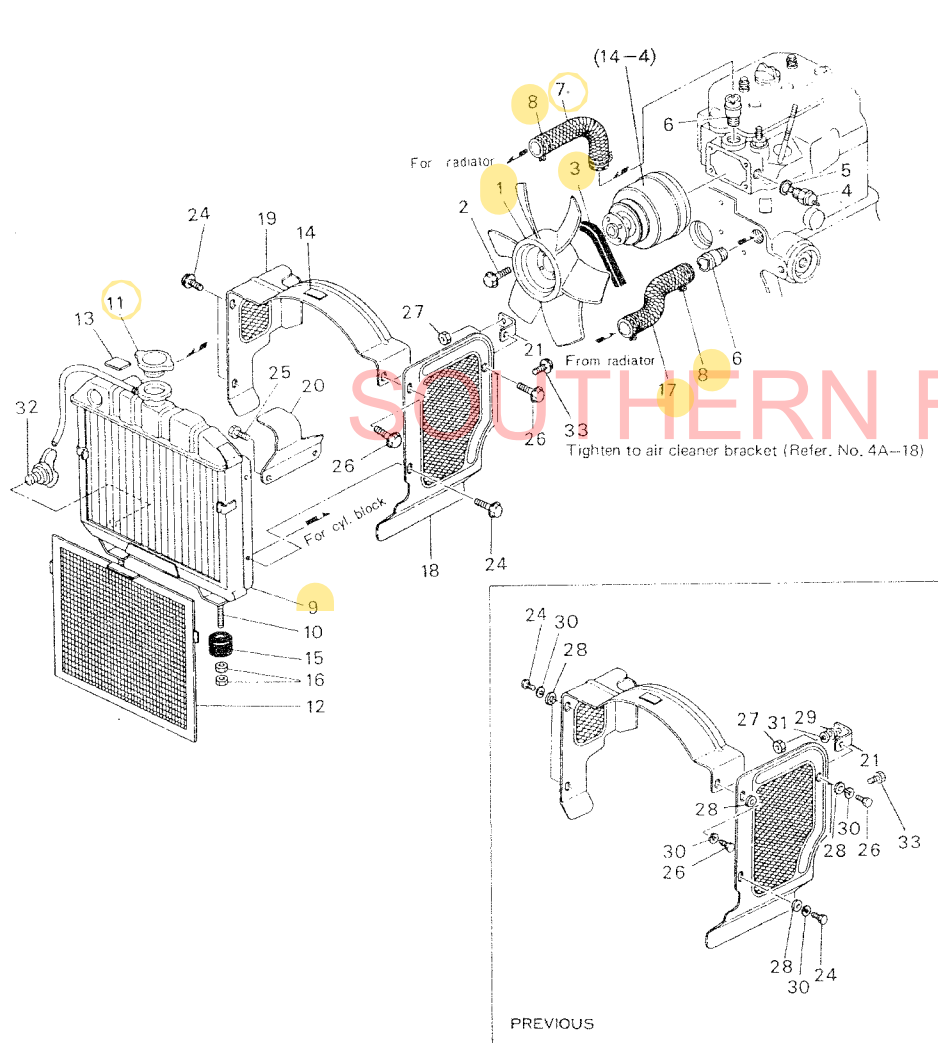
8. LUBRICATING OIL SYSTEM

MEMO

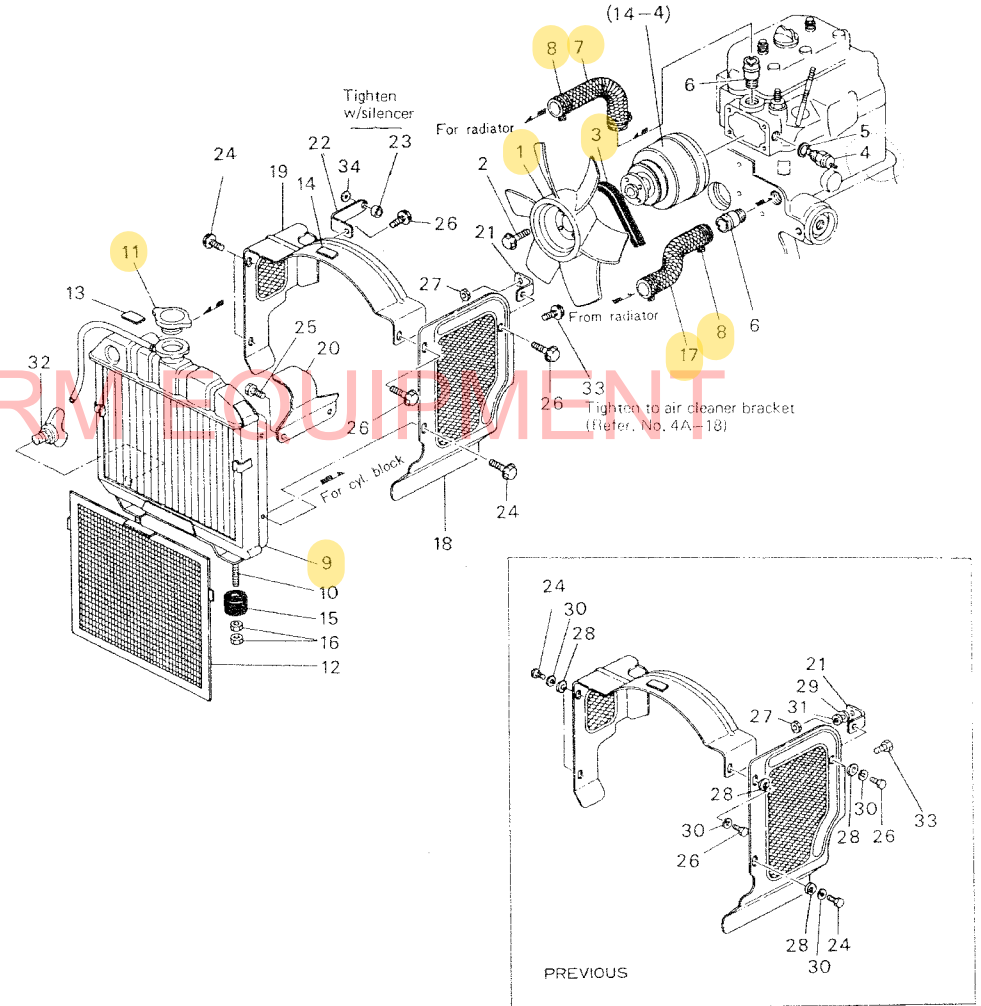
Refer. No.	Description	Part No.	Qty/Unit		Inter-change-ability	Design-change Mark	Remarks
			2TR13A	2173A			
8- 18	PIPE, lub. oil intake	124060-35060	1	1			
	PIPE, lub. oil intake	124732-35090	1	1	N		
8- 19	LOCK NUT PFL/4	124450-35070	1	1	10		
8- 20	PIPE, lub. oil	124060-39200	1	1			
8- 21	BOLT, pipe joint	124450-39140	2	2			
8- 22	PACKING 12, copper	23414-120000	4	4	10		
8- 23	SENDER, oil pressure	124060-39451	1	1			
8- 24	O-RING, lub. oil strainer	124450-35110	1	1	10		

SOUTHERN FARM EQUIPMENT

9. COOLING WATER SYSTEM (2T73A·YM135·YM135D)



9. COOLING WATER SYSTEM (2TR13A·YM155·YM155D)



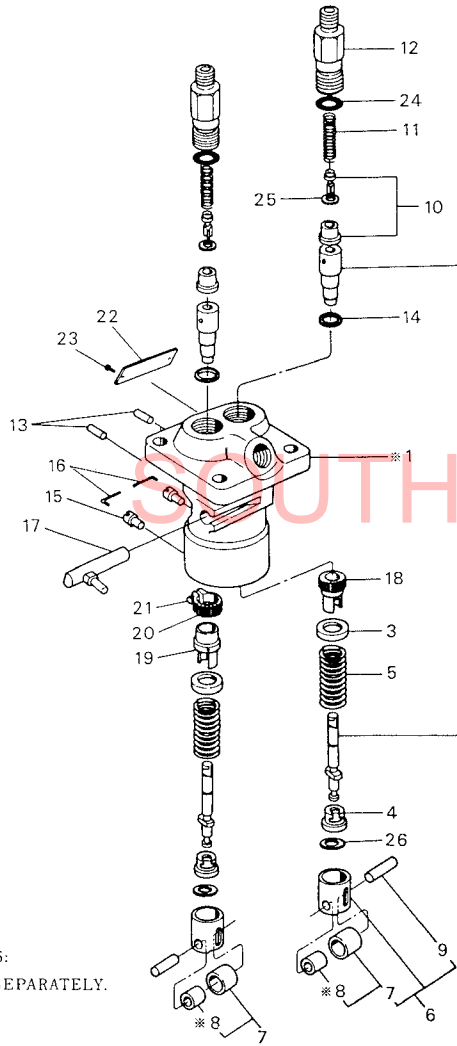
9. COOLING WATER SYSTEM

Refer. No.	Description	Part No.	Qty/Unit		Inter-change-ability	Design-change Mark	Remarks
			2TR13A	2T73A			
9- 1	FAN	124750-44740	1	1			
	FAN	124450-44740	1	1	S	[4]	
9- 2	BOLT M6 x 10, plated	26116-060102	4	4	10		
	BOLT M6 x 10	26106-060102	4	4	10	N	
9- 3	V-BELT (A-28 inch)	124060-44290	1	1			
	V-BELT (A-28 inch)	124064-44290	1	1		N	
9- 4	SENDER, temperature	124450-44901	1	1			
	SENDER, temperature	124450-44902	1	1		N	
9- 5	PACKING 16, copper	23414-160000	1	1	10		
	PACKING 16, copper	124465-44950	1	1	10	N	
9- 6	JOINT, cooling water	124160-49480	2	2			
9- 7	PIPE(A), cooling water (head radiator)	124060-49010	1	1			
9- 8	CLAMP 38	23010-03800	4	4	10		
9- 9	RADIATOR	124060-44500	1	1			
	RADIATOR	124064-44500	1	1		S	[4]
9- 10	STUD	124060-44800	2	2	10		
9- 11	CAP, radiator	124756-44590	1	1			
9- 12	SCREEN, radiator	124160-44580	1	1			
		124064-44580	1	1		S	[4]
9- 13	LABEL, anti-freezing caution	124764-44920	1	1			
9- 14	LABEL, radiator caution	124064-44910	1	1			
9- 15	SHOCK ABSORBER, radiator	124060-44650	2	2			
9- 16	LOCK NUT M8, plated	26756-080002	4	4	10		
9- 17	PIPE(B), cooling water (radiator block)	124060-49020	1	1			
9- 18	COVER(A), air cleaner side	124060-44660	1	1			
	COVER(A), air cleaner side	124064-44660	1	1		S	[4]

9. COOLING WATER SYSTEM

Refer. No.	Description	Part No.	Qty/Unit		Inter-change-ability	Design-change Mark	Remarks
			2TR13A	2T73A			
9- 19	COVER(B), exhaust silencer side	124060-44670	1	1			
9- 19	COVER(B), exhaust silencer side	124064-44670	1	1		S	[4]
9- 20	COVER(C), exhaust silencer side	124060-44680	1	1		Z	[4]
9- 21	BRACKET(A), cover (A)	124060-44690	1	1			
	BRACKET(A), cover (A)	124064-44690	1	1		Z	2TR13A: E/#G03370 2T73A: E/#G00777
9- 22	BRACKET(B), cover (B)	124060-44700	1	1		Z	[4]
9- 23	SPACER, between cover (B) & bracket (B)	124060-44710	1	1		Z	[4]
9- 24	BOLT M6 x 10	26116-060102	3	3	10		
	BOLT M6 x 10	26014-060102	3	3	10	N	
9- 25	BOLT M8 x 14	26116-080142	2	2	10	Z	[4]
9- 26	BOLT M6 x 12	26116-060122	3	2	10		
	BOLT M6 x 12	26116-060122	2	2	10	K	[4]
	BOLT M6 x 12	26014-060122	1	1	10	N	
9- 27	LOCK NUT M8	26756-080002	1	1	10		
	LOCK NUT M8	26756-080002	1	1	10	Z	2TR13A: E/#G03370 2T73A: E/#G00777
9- 28	WASHER 6	22137-060000	6	5	10		
	WASHER 6	22137-060000	5	5	10	K	[4]
9- 29	WASHER 8	22137-080000	1	1	10		
9- 30	SPRING WASHER 6	22212-060000	6	5	10		
	SPRING WASHER 6	22217-060000	5	5	10	N&K	[4]
	SPRING WASHER 6	22217-060000	5	5		Z	
9- 31	SPRING WASHER 8	22217-080000	1	1	10		
9- 32	COCK w/PACKING	124550-44690	1	1	10		
	COCK	124060-44510	1	1	10	N	
9- 33	BOLT M8 x 12	26116-080122	1	1	10	W	2TR13A: E/#G03370 2T73A: E/#G00777
	BOLT M8 x 12	26014-080122	1	1	10	N	
9- 34	WASHER 8	22137-080000	1	1	10	Z	[4]

10. FUEL INJECTION PUMP



*MARK PARTS:
NOT SOLD SEPARATELY.

10. FUEL INJECTION PUMP

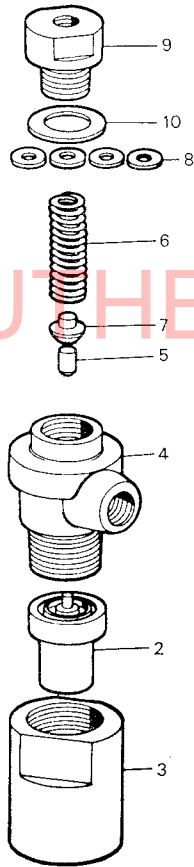
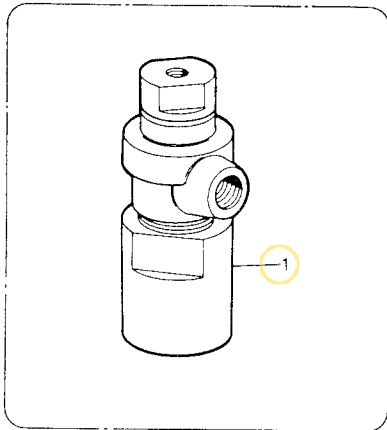
Refer. No.	Description	Part No.	Qty/Unit		Inter-changeability	Design-change Mark	Remarks
			21713A	2173A			
	PUMP ASS'Y, fuel injection	724060-51701	1				Inc. 10-1 26
	PUMP ASS'Y, fuel injection	724660-51701		1			Inc. 10-1 26
10- 1	BODY, fuel injection pump	*	1	1			Not Sold Separately.
10- 2	PLUNGER & BARREL	124060-51100	2				
	PLUNGER & BARREL	124230-51100		2			
10- 3	RETAINER, plunger spring	174307-51170	2	2 10			
10- 4	RETAINER, plunger spring	174307-51180	2	2 10			
	RETAINER, plunger spring	174307-51181	2	2 10	N		
10- 5	SPRING, plunger	174307-51190	2	2 10			
10- 6	GUIDE, plunger	124550-51200	2	2			Misprint
	GUIDE ASS'Y, plunger	724550-51520	2	2			Inc. 10-7 9
10- 7	ROLLER ASS'Y, plunger	711100-51540	2	2			Inc. 10-8
10- 8	ROLLER, plunger guide outer	*	2	2			Not Sold Separately.
10- 9	PIN, plunger guide roller	174100-54120	2	2 10			
10- 10	VALVE, delivery	124060-51320	2	2 10			
10- 11	SPRING, delivery valve	124550-51300	2	2 10			
10- 12	HOLDER, delivery valve	124550-51340	2	2 10			
10- 13	PIN, plunger barrel stopping	174307-51250	2	2 10			
10- 14	PACKING, plunger barrel	174307-51450	2	2 10			
10- 15	STOPPER, plunger guide	174307-51450	2	2			
10- 16	PIN, lock screw	174307-51460	2	2			
10- 17	RACK ASS'Y, fuel control	124060-51500	1	1			
	RACK ASS'Y, fuel control	724240-51530	1	1			
10- 18	PINION(A), fuel control toothed	174307-51410	1	1	N		

10. FUEL INJECTION PUMP

Refer. No.	Description	Part No.	Q'ty/Unit		Inter-change-ability	Design-change Mark	Remarks
			2TR13A	2T13A			
10- 19	SLEEVE, fuel control pinion(B)	174307-51550	1	1			
10- 20	PINION(B), fuel control toothed	174307-51560	1	1			
10- 21	LOCK SCREW, fuel control toothed clamp	122117-51560	1	1			
10- 22	LABEL, fuel injection pump	124064-51920	1				
	LABEL, fuel injection pump	124664-51920		1			
10- 23	RIVET 2.3 x 3	22624-230030	2	2	10		
	RIVET	124220-51890	2	2	10	N	
10- 24	O-RING	124550-51370	2	2	10		
10- 25	PACKING, delivery valve seat	124550-51350	2	2			
10- 26	SHIM, plunger position adjusting	174307-51700	2	2			

SOUTHERN FARM EQUIPMENT

11. FUEL INJECTION VALVE

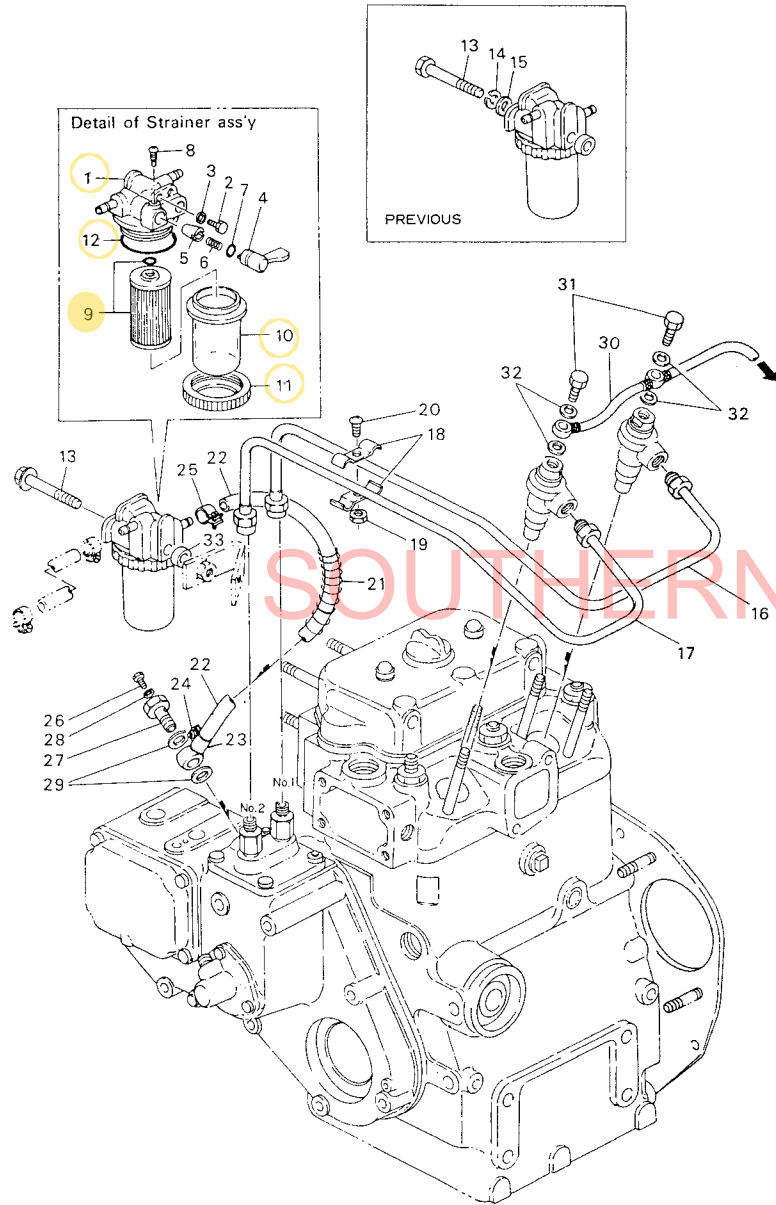


11. FUEL INJECTION VALVE

Refer. No.	Description	Part No.	Qty/Unit		Inter-change-ability	Design-change Mark	Remarks
			2173A	2173A			
11- 1	VALVE ASS'Y, fuel injection	724060-53101	2	2			Inc. 11-2 10
11- 2	VALVE w/CASE	124770-53000	2	2	10		
11- 3	NUT, valve fitting	104200-53080	2	2			
11- 4	BODY, valve holder	103854-53100	2	2			
11- 5	SPINDLE, inter	113200-53110	2	2	10		
11- 6	SPRING, valve	103854-53120	2	2	10		
11- 7	SPRING SHOE, valve	113200-53120	2	2	10		
11- 8	SHIM, valve spring adjusting	110250-53150	2	2	10		
11- 9	RETAINER, valve spring	103854-53180	2	2			
11- 10	PACKING, valve spring retainer	172100-53200	2	2	10		

12. FUEL OIL SYSTEM

12. FUEL OIL SYSTEM



Refer. No.	Description	Part No.	Q'ty/Unit		Inter-change-ability	Design-change Mark	Remarks
			2TR13A	2T73A			
	STRAINER ASS'Y, fuel	724160-55501	1	1			Inc. 12-1 12
	STRAINER ASS'Y, fuel	124060-55600 124064-	1	1	N		Inc. 12-1 12 2TR13A: E/#G03030
12- 1	COCK ASS'Y, fuel	724260-55200	1	1			Inc. 12-2 8
12- 2	PLUG, fuel strainer	101720-55750	2	2			
12- 3	PACKING 6, nylon	23418-060000	2	2			
12- 4	HANDLE, fuel cock	104299-55341 104200-	1	1			Misprint
12- 5	TAPER VALVE	104200-55321	1	1			
12- 6	VALVE SPRING	104200-55330	1	1			
12- 7	O-RING P10A	24311-240100	1	1	10		
12- 8	LOCK SCREW, cock handle	104200-55750	1	1	10		
12- 9	ELEMENT, fuel strainer	104500-55710	1	1			
12- 10	BOWL, fuel strainer	104500-55510	1	1			
	BOWL, fuel strainer	124064-55510	1	1	N		
12- 11	RETAINER, strainer element	110250-55610	1	1			
12- 12	O-RING, fuel strainer cover	102103-55520	1	1			
12- 13	BOLT M8 x 70, plated	26116-080702	1	1	10		
	BOLT M8 x 60	26106-080602	1	1	10	N	
12- 14	SPRING WASHER 8	22217-080000	1	1	10		
12- 15	WASHER 8, plain	22137-080000	1	1	10		
12- 16	PIPE, fuel injection, No. 1 cylinder	124060-59801	1	1			
12- 17	PIPE, fuel injection, No. 2 cylinder	124060-59811	1	1			
12- 18	CLAMP, fuel injection pipe	124060-59900	2	2			
12- 19	NUT M6	26716-060002	1	1	10		

12. FUEL OIL SYSTEM

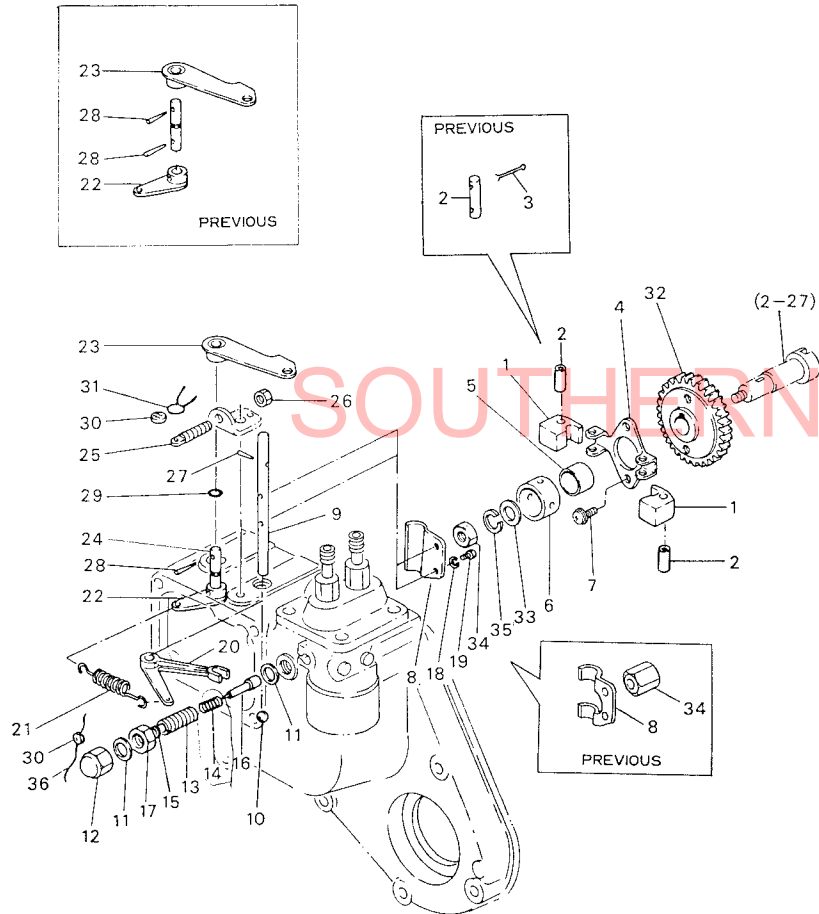
M E M O

Refer. No.	Description	Part No.	Qty/Unit		Inter-change-ability	Design-change Mark	Remarks
			2TR13A	2TT3A			
12- 20	SCREW M6 x 12, plated	26557-060122	1	1	10		
	PIPE ASS'Y	124060-59012	1	1	10	N	
12- 21	SPRING, fuel oil pipe	124060-59101	1	1			
12- 22	PIPE, fuel oil (strainer injection pump)	124160-59080	1	1			
12- 23	JOINT, swivel pipe	124250-59260	1	1			
	JOINT, swivel pipe	101304-59020	1	1		N	
12- 24	CLAMP, pump side	124460-59050	1	1	10		
	CLAMP, pump side	124766-59050	1	1	10	N	
12- 25	CLAMP, strainer side	124460-59060	1	1	10		
	CLAMP, strainer side	124766-59050	1	1	10	N	
	BOLT ASS'Y	103854-59191	1	1	10	N	
12- 26	PLUG, air venting	124060-59380	1	1	10		
12- 27	BOLT, pipe joint	124060-59391	1	1	10		
12- 28	SEAL WASHER 6, air venting plug	43400-500390	1	1	10		
12- 29	PACKING 12, copper	104200-59170	2	2	10		
12- 30	PIPE, fuel return	124160-59500	1	1			
12- 31	BOLT, swivel pipe joint	101147-59810	2	2			
12- 32	PACKING 8, copper	234140-80000	4	4	10		
	PACKING 8, copper	23414-080012	4	4	10	N	
12- 33	SPACER, strainer	124060-61130	1	1			

SOUTHERN FARM EQUIPMENT

13. GOVERNOR SYSTEM

13. GOVERNOR SYSTEM



Refer. No.	Description	Part No.	Qty/Unit		Inter-changeability	Design-change Mark	Remarks
			2TR13A	2T73A			
	SUPPORT ASS'Y, governor weight	724060-61520	1	1			Inc. 13-1 4
13- 1	WEIGHT, governor	104200-61200	2	2			
13- 2	PIN, governor weight 6d-31L	f04200-61220	2	2			
	PIN, (Caulking type) 6d-26.5L	172200-61220	2	2	S		2TR13A: E/#22010 2T73A: E/#80953 2TR13A: E/#22010
13- 3	COTTER PIN 2 x 20	22417-200200	4	4	10	Z	
13- 4	SUPPORT, governor weight	124060-61110	1	1			
13- 5	GUIDE, sleeve	124060-61100	1	1			
13- 6	SLLEEVE, governor	124060-61100	1	1			Misprint
	SLLEEVE, governor	124060-61600	1	1			
13- 7	BOLT M6 x 10	26116-060109	2	2	10		
	BOLT M6 x 10	26106-060102	2	2	10	N	
13- 8	1st LEVER	124060-61500-66150	1	1			Misprint
	1st LEVER	124060-61501	1	1	F		\$
13- 9	SHAFT, 1st lever	124060-61610	1	1			
13- 10	STEEL BALL 9/32	24190-090001	1	1	10		
13- 11	SEAL WASHER 10	43400-500430	2	2	10		
13- 12	CAP NUT M10, plated	26667-100002	1	1	10		
	CONTROLLER ASS'Y,	124060-66550	1	1			Inc. 13-13 16
	CAP NUT M10	124060-66950	1	1		N	
	fuel injection						
	CONTROLLER ASS'Y,	124060-66551	1	1		S	2TR13A: E/#22766 2T73A: E/#81123
	fuel injection						
13- 13	SPRING BODY, fuel injection control	124060-66560	1	1			
13- 14	SPRING, fuel injection control	124060-66580	1	1			
13- 15	WASHER, fuel injection control	124060-66590	1	1	10		
13- 16	PIN, fuel injection control	124060-66570	1	1			
	PIN, fuel injection control	124060-66571	1	1		S	2TR13A: E/#22766 2T73A: E/#81123

Remarks:
 \$: Interchangeable provided New Type 1st Lever (124060-61501) and Nut M8 (26716-080002) 1 pc. are replaced together.

13. GOVERNOR SYSTEM

MEMO

Refer. No.	Description	Part No.	Q'sy/Unit		Inter-change-ability	Design-change Mark	Remarks
			2TR13A	2F73A			
			Sales Unit				
13- 17	NUT M10	26716-100002	1	1			
	LOCK NUT	124064-66890	1	1	N	[4]	
13- 18	SPRING WASHER 4	22217-040000	2	2	10		
13- 19	BOLT M4 x 10	26116-040102	2	2	10		
13- 20	2nd LEVER, governor	124060-66150 724060-61650	1	1			Misprint
13- 21	SPRING, regulator	124060-66010	1	1			
	HANDLE ASS'Y, regulator	724060-66531	1	1	S		
13- 22	LEVER, regulator	124060-66090	1	1			
	LEVER, regulator	124060-66070	1	1	S		
13- 23	HANDLE, regulator	124060-66060	1	1			
13- 24	SHAFT, regulator handle	124060-66040	1	1	Z		
13- 25	BOLT, regulator	103954-66420	1	1			Misprint
	handle adjusting						
	BOLT, regulator	103854-66420	1	1			
	handle adjusting						
13- 26	LOCK NUT, adjusting bolt	124240-66371	1	1			
13- 27	TAPER PIN 3 x 18	22322-030180	1	1	10		
13- 28	TAPER PIN 3 x 16	22322-030160	2	2	10		
	TAPER PIN 3 x 16	22322-030160	1	1	10	K	
13- 29	O-RING 5-P	24311-000050	2	2	10		
13- 30	LEAD, sealing	135210-61090	2	2		K	[4]
13- 31	WIRE 0.6	22451-060000	1	1	10		
13- 32	GEAR, governor	124060-61120	1	1			
13- 33	WASHER, gear	124060-61130	1	1			
13- 34	NUT, governor gear	124060-61550	1	1			
	NUT M8	26716-080002	1	1	F		\$
13- 35	SPRING WASHER 8	22217-080000	1	1	10		
13- 36	WIRE 1.0	22451-100000	1	1	1-	W	[4]
	WIRE 0.6	22451-060000	1	1		S	

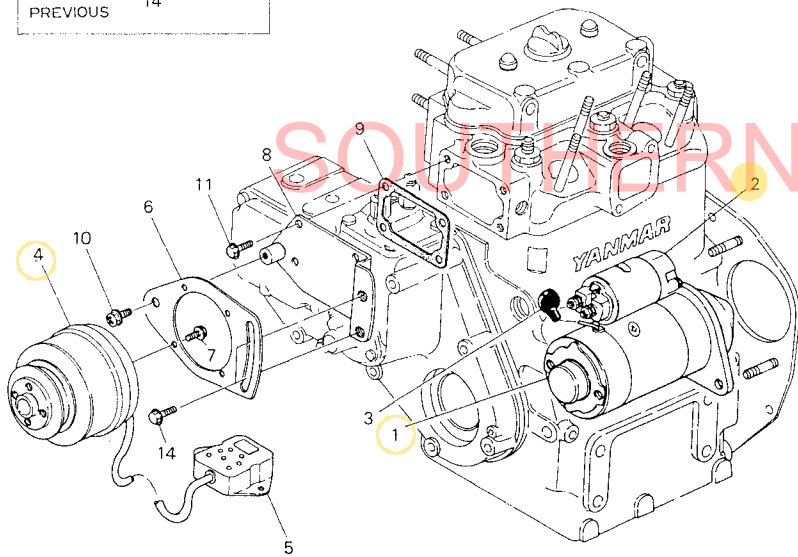
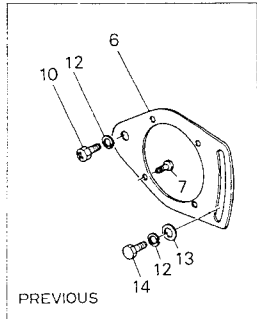
SOUTHERN FARM EQUIPMENT

Remarks:

\$: Interchangeable provided New Type 1st Lever (124060-61501) and Nut M8 (26716-080002) 1 pc. are replaced together.

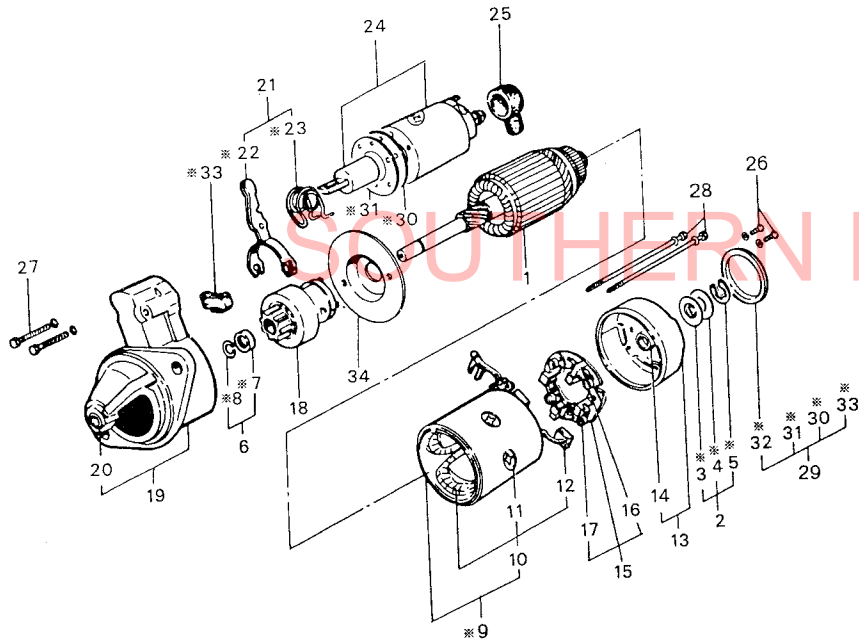
14. ELECTRIC STARTING SYSTEM

14. ELECTRIC STARTING SYSTEM



Refer. No.	Description	Part No.	Qy/Unit		Inter-change-ability	Design-change Mark	Remarks
			2TR13A	2173A			
14- 1	MOTOR (1.0kW), starting	124060-77010	1	1			
	MOTOR (1.2kW), starting	124060-77011	1	1	N		\$ 2TR13A: E/#12618
14- 2	SWITCH, magnet	124060-77300	1	1			
14- 3	COVER, terminal to starter	124160-77020	1	1			
14- 4	GENERATOR (8A), charging	124064-77200	1	1			
	GENERATOR (8.5A), charging	124660-77990	1	1	N		2TR13A: E/#15101 (From Nov. 1976)
14- 5	LIMITER, current	124064-77710	1	1			
	LIMITER (14.5V), current	124660-77710	1	1	N		2TR13A: E/#15101 (From Nov. 1976)
14- 6	FITTINGS, charging generator	124060-77110	1	1			
14- 7	BOLT M6 x 12	26117-060122	4	4			
	BOLT M6 x 12	26116-060122	4	4	10	N	
	BOLT M6 x 16	26106-060162	4	4	10	N	
14- 8	BRACKET, generator	124060-77151	1	1			
14- 9	PACKING, bracket	124060-77170	1	1	10		
	PACKING, bracket	124060-77171	1	1	10	N	
14- 10	BOLT M8 x 16, plated	26116-080169	1	1	10		
	BOLT M8 x 12	26106-080122	1	1	10	N	
14- 11	BOLT M8 x 14, plated	26117-080142	4	4			
	BOLT M8 x 14, plated	26116-080142	4	4	10	N	
	BOLT M8 x 16	26116-080162	4	4	10	N	
	BOLT M8 x 16	26106-080162	4	4	10	N	
14- 12	SPRING WASHER 8	22217-080000	7	7	10		
14- 13	WASHER 8, plain	22137-080000	2	2	10		
14- 14	BOLT M8 x 25	26117-080252	2	2			
	BOLT M8 x 25	26116-080252	2	2	10	N	
	BOLT M8 x 20	26106-080202	2	2	10	N	

15. STARTING MOTOR (Maker: HITACHI)



*MARK PARTS: NOT SOLD SEPARATELY.

15. STARTING MOTOR (Maker: HITACHI)

Refer. No.	Description	Part No.	Q'ty/Unit		Inter-changeability	Design-change Mark	Remarks
			2TR13A	2T73A			
	STARTING MOTOR (S144-203)	124060-77010	1	1			
	STARTING MOTOR (S114-219)	124060-77011	1	1	N		\$
15- 1	ARMATURE ASS'Y	X211421002 (947704-49221)	1	1			
	ARMATURE ASS'Y	X211491001 (947704-49229)	1	1	S		\$
15- 2	WASHER KIT, thrust	X21148110 (947704-47026)	1	1	10		Inc. 15-3 5
15- 3	WASHER (B)	*	3	3	*		Not Sold Separately.
15- 4	WASHER (C)	*	1	1	*		Not Sold Separately.
15- 5	E-RING	*	1	1	*		Not Sold Separately.
15- 6	STOPPER SET, pinion	X22147155 (947704-47027)	1	1	5		Inc. 15-7, 8
15- 7	STOPPER, pinion	*	1	1	*		Not Sold Separately.
15- 8	CIRCLIP, pinion	*	1	1	*		Not Sold Separately.
15- 9	YOKE ASS'Y	*	1	1	*		
15- 10	COIL ASS'Y, field	X211462001 (947704-47042)	1	1			Inc. 15-11, 12
	COIL ASS'Y, field	X211432001 (947844-70600)	1	1	S		\$ Inc. 15-11, 12
15- 11	SCREW, pole core	X21148215 (947704-47043)	4	4	10		
	SCREW, pole core	X21147215 (947844-70290)	4	4	10	S	\$

Remarks:

\$-marked parts: STARTING MOTOR was changed in Type from S114-203 to S114-219, effective from Sept. 1976 for 2TR13A and from Oct 1976 for 2T73A.

Interchangeable between: Old Type and New Type by STARTING MOTOR ASS'Y. However, some component parts of Old Type (S114-203) and new Type (S114-219) are not interchangeable. Consequently, when ordering individual parts, confirm of Type of STARTING MOTOR with LABEL provided to the article in question.

Beside, parts supply for STARTING MOTOR ASS'Y shall be operated with New Type (S114-219) in the future to replace the motor of Old Type engine with New Type Motor; thus pay much attention to this regard in your parts ordering.

15. STARTING MOTOR (Maker: HITACHI)

Refer. No.	Description	Part No.	Qty/Unit		Inter-changeability	Design-change Mark	Remarks
			2TR13A	2T73A			
15- 12	BRUSH (+)	X21145312 (947704-47003)	2	2	10		
15- 13	COVER ASS'Y, rear	X211443001 (947704-47044)	1	1		[4]	Inc. 15-14
	COVER ASS'Y, rear	X211453002	1	1	S	[4]	\$ Inc. 15-14
15- 14	BUSH, rear cover	X21145352 (947704-47031)	1	1	10		
15- 15	HOLDER ASS'Y, brush	X21141360 (947704-47032)	1	1			Inc. 15-16, 17
15- 16	BRUSH (-)	X21145313 (947704-47004)	2	2	10		
15- 17	SPRING, brush	X21144314 (947704-41296)	4	4	10		
15- 18	PINION ASS'Y	X211455003 (947704-49307)	1	1			
15- 19	CASE ASS'Y, gear	X211456005 (947704-49307)	1	1			Inc. 15-20
	CASE ASS'Y, gear	X211416007	1	1	S	[4]	\$ Inc. 15-20
15- 20	BUSH	X21144661 (947704-47035)	1	1	10		
15- 21	LEVER SET, shift	X211426011 (947704047045)	1	1			Inc. 15-22, 23
	LEVER SET, shift	X21148652 (947844-70370)	1	1	S	[4]	\$ Inc. 15-22, 23
15- 22	LEVER, shift	*	1	1	*		Not Sold Separately.
15- 23	SPRING torsion	*	1	1	*		Not Sold Separately.

Remarks:

\$-marked parts: STARTING MOTOR was changed in Type from S114-203 to S114-219, effective from Sept. 1976 for 2TR13A and from Oct 1976 for 2T73A.

Interchangeable between: Old Type and New Type by STARTING MOTOR ASS'Y. However, some component parts of Old Type (S114-203) and new Type (S114-219) are not interchangeable. Consequently, when ordering individual parts, confirm of Type of STARTING MOTOR with LABEL provided to the article in question.

Beside, parts supply for STARTING MOTOR ASS'Y shall be operated with New Type (S114-219) in the future to replace the motor of Old Type engine with New Type Motor; thus pay much attention to this regard in your parts ordering.

15. STARTING MOTOR (Maker: HITACHI)

Refer. No.	Description	Part No.	Qty/Unit		Inter-changeability	Design-change Mark	Remarks
			2TR13A	2T73A			
15- 24	SWITCH ASS'Y, magnetic	X211437002 (947704-49902)	1	1			
15- 25	COVER	X21142742 (947704-47024)	1	1	10		
15- 26	SCREW M4 x 12	26557-040122	2	2	10		
15- 27	BOLT M6 x 32	26116-060322	2	2	10		
15- 28	BOLT	X21148854 (947704-47050)	2	2			
	BOLT	X21147854- X21146815 (947844-12240)	2	2	S		\$ Misprint
15- 29	COVER KIT, dust	X21143963 (947704-47036)	1	1	10		Inc. 15-30 33
15- 30	COVER (A), dust	*	1	1	*		Not Sold Separately.
15- 31	COVER (B), dust	*	1	1	*		Not Sold Separately.
15- 32	COVER (C), dust	*	1	1	*		Not Sold Separately.
15- 33	COVER (D), dust	*	1	1	*		Not Sold Separately.
15- 34	PLATE, center	X21143454 (947844-70730)	1	1		W	\$

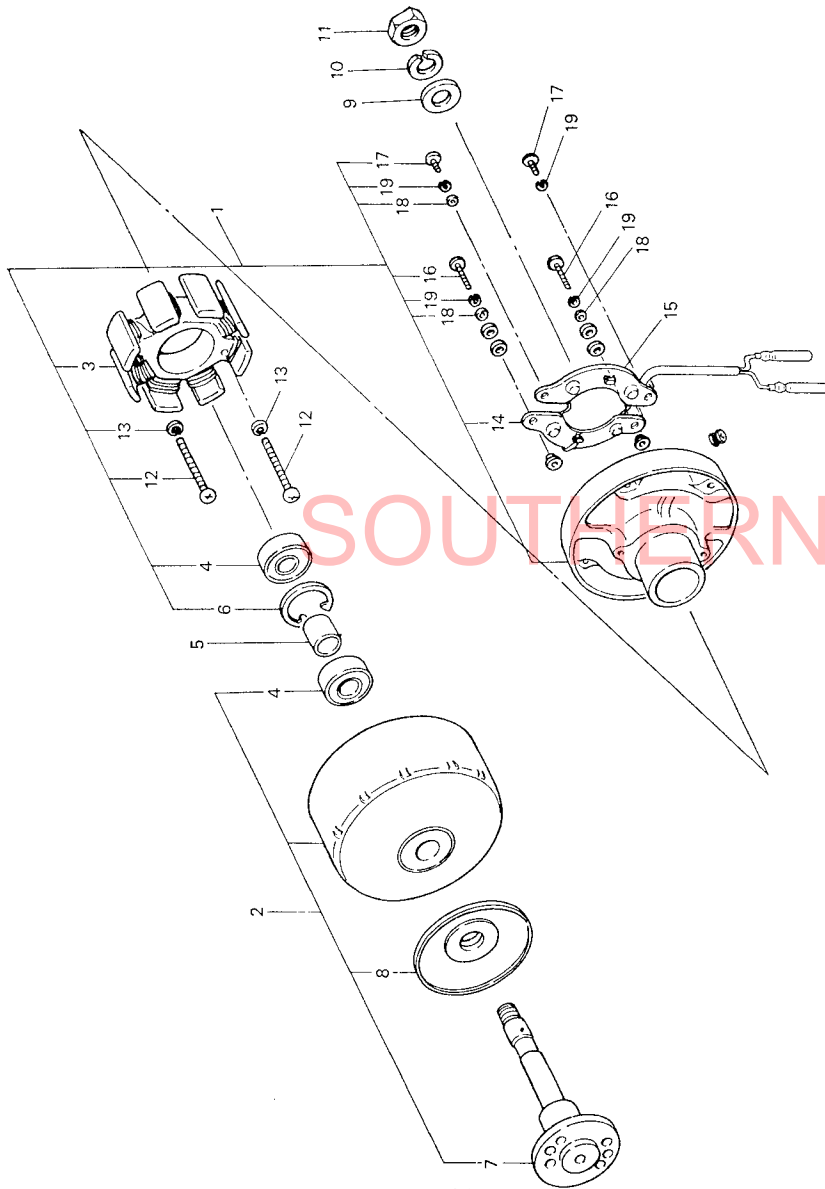
Remarks:

\$-marked parts: STARTING MOTOR was changed in Type from S114-203 to S114-219, effective from Sept. 1976 for 2TR13A and from Oct 1976 for 2T73A.

Interchangeable between: Old Type and New Type by STARTING MOTOR ASS'Y. However, some component parts of Old Type (S114-203) and new Type (S114-219) are not interchangeable. Consequently, when ordering individual parts, confirm of Type of STARTING MOTOR with LABEL provided to the article in question.

Beside, parts supply for STARTING MOTOR ASS'Y shall be operated with New Type (S114-219) in the future to replace the motor of Old Type engine with New Type Motor; thus pay much attention to this regard in your parts ordering.

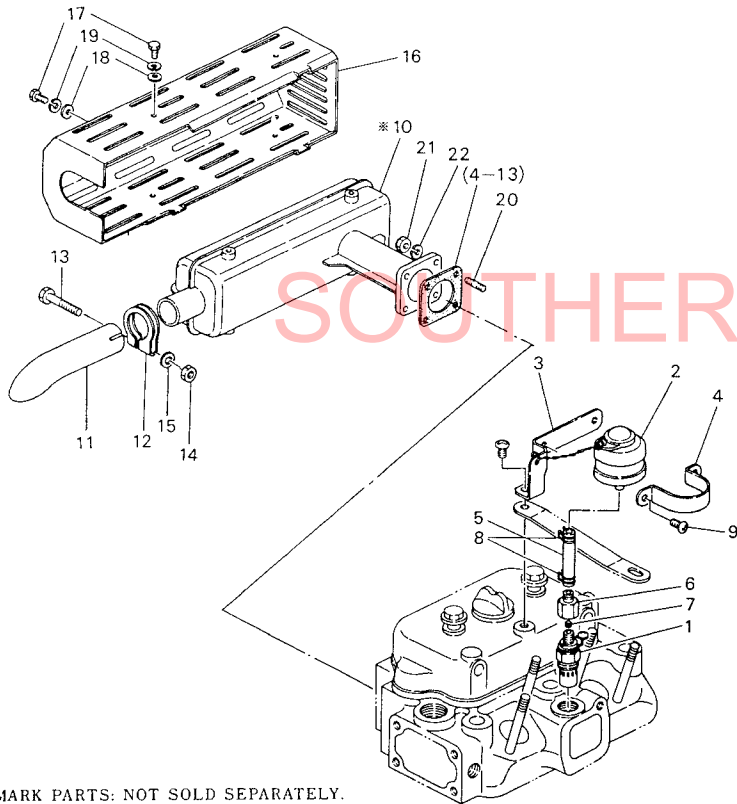
16. GENERATOR (Maker: KOKUSAN)



16. GENERATOR (Maker: KOKUSAN)

Refer. No.	Description	Part No.	Qty/Unit		Interchangeability	Design-change Mark	Remarks
			2TR13A	2T73A			
16- 1	GENERATOR	124064-77200	1	1	N		Inc. 16-1 19
	GENERATOR	124660-77900	1	1			Inc. 16-1 19
	PLATE ASS'Y	942701-41407	1	1			Inc. 16-3, 4, 5, 12 19, 16- 2
	MAGNET WHEEL ASS'Y	942741-42299	1	1			Inc. 16-4, 7, 8.
	MAGNET WHEEL ASS'Y	94270M-42875-42788	1	1			Misprint
	CORE ASS'Y	942131-41410	1	1			
16- 4	BEARING #6201Z	942141-86124	2	2			
16- 5	SPACER	942151-32093	1	1			
16- 6	CIRCLIP	942151-86024	1	1 10		Up to E/# 2TR13A: 02444 2T73A: 00478	
16- 7	SHAFT	(42141042303	1	1			
16- 8	V-PULLEY	942141-42306	1	1			
16- 9	WASHER	(42151-86025	1	1 10			
16- 10	SPRING WASHER	(42151-21923	1	1 10			
16- 11	NUT	942151-86372	1	1 10			
16- 12	SCREW M4 x 20	26557-040202	2	2 10			
16- 13	SPRING WASHER 4	22217-040000	2	2 10			
16- 14	CONTROL UNIT (A), (+)	942141-41416	1	1			
16- 15	CONTROL UNIT (B), (-)	942141-41417	1	1			
16- 16	SCREW M4 x 15	26557-040152	2	2 10			
16- 17	SCREW M4 x 8	26557-040082	2	2 10			
16- 18	WASHER 4	22137-040000	3	3 10			
16- 19	SPRING WASHER 4	22217-040000	4	4 10			

17. THERMOSTARTING EQUIPMENT & SILENCER (OPTIONAL)



*MARK PARTS: NOT SOLD SEPARATELY.

Refer to page 189.

17. THERMOSTARTING EQUIPMENT & SILENCER (OPTIONAL)

Refer. No.	Description	Part No.	Qty/Unit		Inter-changeability	Design-change Mark	Remarks
			2173A	2173A			
17- 1	PLUG, thermostart	124450-77910	1	1			
	PLUG, thermostart	121023-77910	1	1	F		\$
17- 2	TANK ASS'Y, header	124060-77802 124460-	1	1			Misprint
17- 3	SET PIECE(A), header tank	124060-77811	1	1			
17- 4	SET PIECE(B), header tank	124460-77820	1	1			
17- 5	PIPE, fuel oil	124060-77700	1	1			
	PIPE, fuel oil	124160-77701	1	1	S		\$
17- 6	JOINT, fuel oil pipe	124460-77660	1	1			
17- 7	CONNECTOR	124450-77980	1	1	Z		\$
17- 8	CLAMP, fuel oil pipe	124060-77680	2	2			
17- 9	SCREW M6 x 8	26557-060082	2	2	10		
	SILENCER ASS'Y, exhaust	724660-13700	1				
17- 10	BODY, silencer	*	1				Not Sold Separately.
17- 11	PIPE, silencer	124660-13520	1				
	PIPE, silencer	124664-13520	1		S		E
17- 12	CLAMP	124660-13530	1				
	CLAMP	124664-13580	1		S		E
17- 13	BOLT M10 x 50	26116-100502	1	10			
	BOLT M8 x 60	26116-080602	1	10	S		E
17- 14	NUT M10	26716-100002	1	10			
	NUT M8	26716-080002	1	10	S		E
17- 15	SPRING WASHER 10	22217-100000	1	10			
	SPRING WASHER 8	22217-080000	1	10	S		E

Remarks:

\$-marked parts: Changed in June 1979. Interchangeable provided New Type PIPE (P/#124160-77701) is replaced together to the original type.

E-marked parts: Changed in Oct., 1977. Interchangeable provided E-marked parts (4 items) are replaced together to with the original type. Change effective engine serial number: From E/#22344.

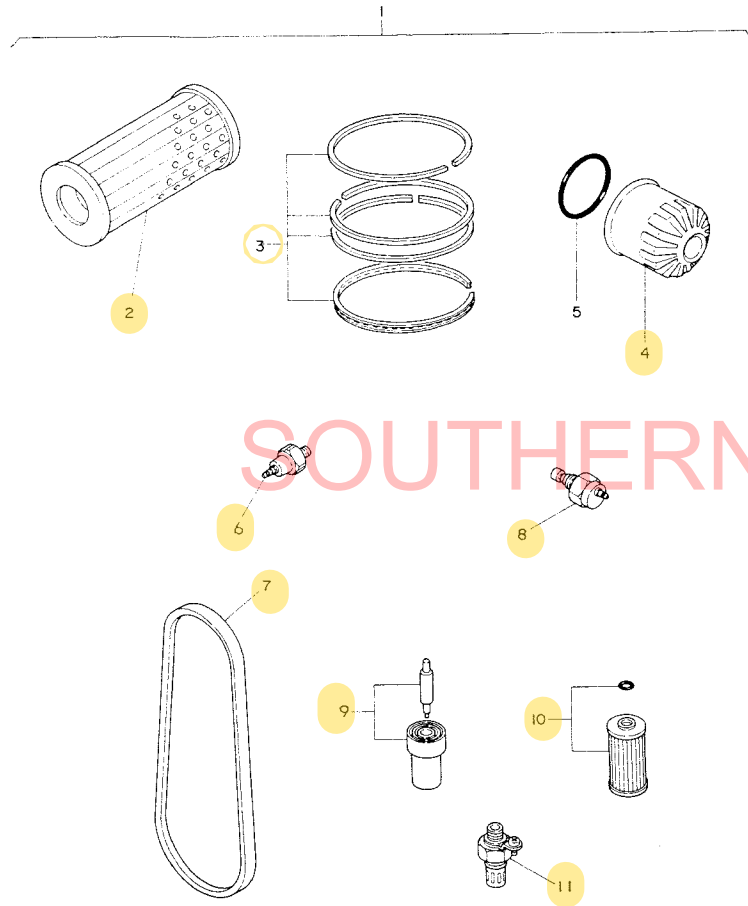
17. THERMOSTARTING EQUIPMENT & SILENCER (OPTIONAL)

M E M O

Refer. No.	Description	Part No.	Q'ty/Unit		Inter-change-ability	Design-change Mark	Remarks
			2TR13A	2TT3A			
17- 16	COVER, silencer	124660-13540	1				
17- 17	BOLT M6 x 10	26116-060102	6	10			
17- 18	WASHER 6	22137-060000	6	10			
17- 19	SPRING WASHER 6	22217-060000	6	10			
17- 20	STUD M8 x 20	26216-080202	4	10			
17- 21	NUT M8	26716-080002	4	10			
17- 22	SPRING WASHER 8	22217-080000	4	10			

SOUTHERN FARM EQUIPMENT

103. REPAIR KIT [FOR ENGINE]

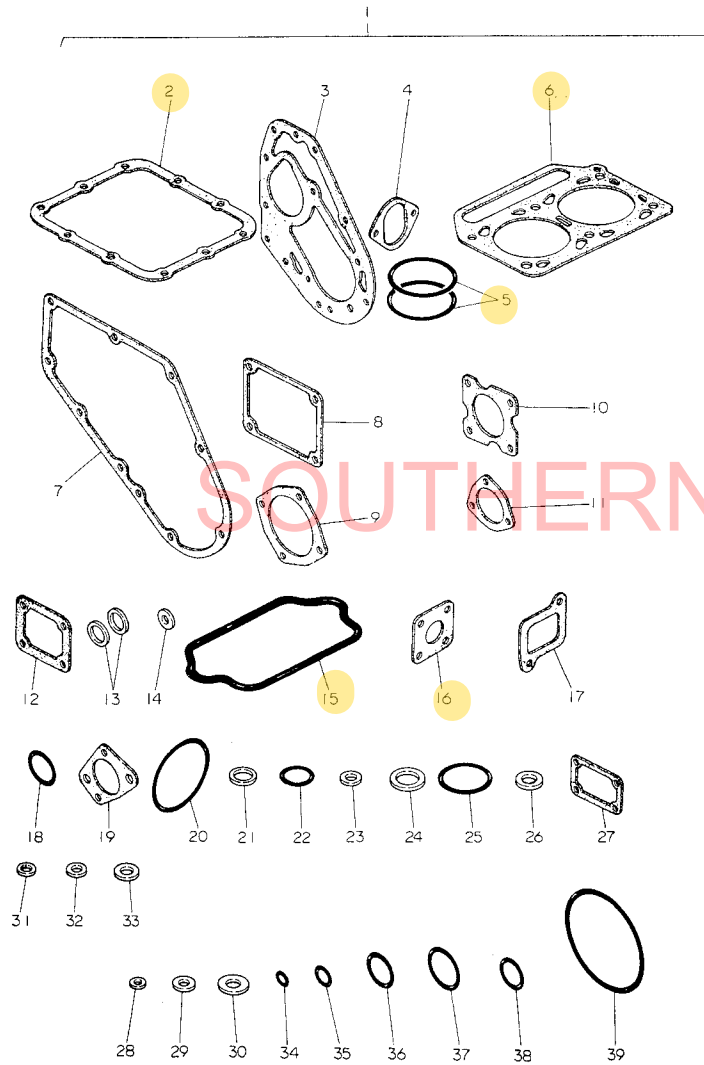


103. REPAIR KIT [FOR ENGINE]

Refer. No.	Description	Part No.	Qty/Unit		Inter-changeability	Design-change Mark	Remarks
			27R13A	27T3A			
103- 1	REPAIR KIT (A), engine	724060-92501	1				
	REPAIR KIT (A), engine	724664-92730		1			
103- 2	.ELEMENT, air cleaner	124064-12510	1	1			
103- 3	.RING SET, piston	724066-22501	2				
		724660-22500		2			
103- 4	.STRAINER, lub. oil	124450-35100	1	1			
103- 5	.O-RING, lub. oil strainer	124450-35110	1	1			
103- 6	.SENDER, oil pressure	124060-39451	1	1			
103- 7	.V-BELT (A-28 inch)	124064-42290	1	1			
103- 8	.SENDER, temperature	124450-44902	1	1			
103- 9	.VALVE w/CASE	124770-53000	2	2			
103-10	.ELEMENT, fuel strainer	104500-55710	1	1			
103-11	.PLUG, thermostart	121023-77910	1	1			

SOUTHERN FARM EQUIPMENT

104. GASKET KIT [FOR ENGINE]



104. GASKET KIT [FOR ENGINE]

Refer. No.	Description	Part No.	Q'ty/Unit		Inter-changeability	Design-change Mark	Remarks
			2TR13A	2T73A			
104- 1	GASKET KIT (A), engine	724060-92600	1				
	GASKET KIT (A), engine	724660-92600		1			
104- 2	.PACKING, cyl. lower cover	124060-01741	1	1			
	.PACKING, cyl. lower cover	124060-01742	1	1	N		
104- 3	.PACKING, flange	124060-01560	1	1			
104- 4	.PACKING, bracket	124060-34841	1	1			
	.PACKING, bracket	124060-34842	1	1	N		
104- 5	.PACKING, cyl. liner	124060-01300	4	4			
104- 6	.GASKET, cyl. head	124060-01330	1				
	.GASKET, cyl. head	124660-01330		1			
104- 7	.PACKING, gear case	124060-01511	1	1			
	.PACKING, gear case	124060-01512	1	1	N		
104- 8	.PACKING, cover	124060-01531	1	1			
	.PACKING, cover	124060-01532	1	1	N		
104- 9	.PACKING, bracket	124060-26062	1	1			
	.PACKING, bracket	124060-26063	1	1	N		
104-10	.PACKING, oil pump	124060-01882	1	1			
	.PACKING, oil pump	124060-01883	1	1	N		
104-11	.PACKING, gear unit	124250-91411	1	1			
	.PACKING, gear unit	124250-91412	1	1	N		
104-12	.PACKING, side cover	124250-11681	1	1			
104-13	.PACKING, chamber	101204-11450	4	4			
	.PACKING, chamber	101204-11452	4	4	N		
104-14	.INSULATOR	103854-11490	2	2			
104-15	.PACKING, bonnet	124060-11311	1	1			

104. GASKET KIT [FOR ENGINE]

Refer. No.	Description	Part No.	Qty/Unit		Sales Unit	Inter-change-ability	Design-change Mark	Remarks
			2TR13A	2TT3A				
104-16	.GASKET, silencer	124450-11900	2	1				
	.GASKET, silencer	124450-11900	1	1		K		
	.GASKET, silencer	124701-11910	1	1		N		
104-17	.PACKING, cleaner bracket	124060-12030	1	1				
104-18	.O-RING, lub. oil pump	103338-32570	1	1				
104-19	.PACKING, lub. oil pump	124060-32091	1	1				
	.PACKING, lub. oil pump	124060-32092	1	1		N		
104-20	.O-RING, strainer	124450-35110	1	1				
104-21	.PACKING, plunger barrel	174307-51270	2	2				
104-22	.O-RING, holder	124550-51370	2	2				
104-23	.PACKING, delivery valve	124550-51350	2	2				
104-24	.PACKING, retainer	172100-53200	2	2				
104-25	.O-RING, fuel strainer	102103-55520	1	1				
104-26	.PACKING, pipe	104200-59170	2	2				
104-27	.PACKING, bracket	124060-77170	1	1				
		124060-77171	1	1		N		
104-28	.SEAL WASHER 6	43400-500390	1	1				
104-29	.SEAL WASHER 8	43400-500410	2	2				
104-30	.SEAL WASHER 10	43400-500430	2	2				
104-31	.PACKING 8	23414-080000	7	7				
104-32	.PACKING 12	23414-120000	7	5				
104-33	.PACKING 16	23414-160000	1	1				
	.PACKING 16	124465-44950	1	1		N		

104. GASKET KIT [FOR ENGINE]

Refer. No.	Description	Part No.	Qty/Unit		Sales Unit	Inter-change-ability	Design-change Mark	Remarks
			2TR13A	2TT3A				
104-34	.O-RING 5-P	24311-000050	2	2				
104-35	.O-RING 7-P	24311-000070	2	2				
104-36	.O-RING 12-P	24311-000120	2	2				
104-37	.O-RING 14-P	24311-000140	1	1				
104-38	.O-RING P10A	24311-240100	1	1				
104-39	.O-RING 35-G	24321-000350	1	1				
	.O-RING 35-P	24311-000350	1	1		S		

Fig. 19 ENGINE CONTROL (ENGLAND) [YM155,YM155D]

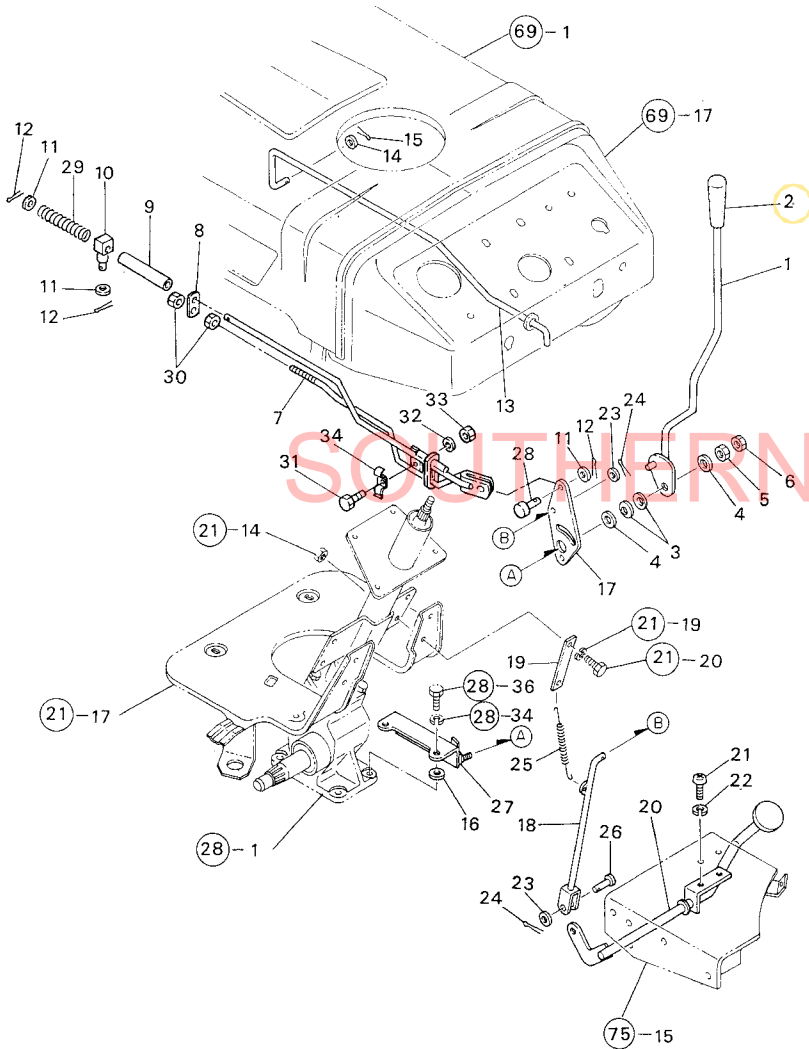


Fig. 19 ENGINE CONTROL (ENGLAND) [YM155,YM155D]

Refer. No.	Description	Part No.	Qty./Unit			Inter-changeability	Design-change Mark	Remarks
			YM155	YM155D	YM135			
19- 1	LEVER, throttle	194340-01100	1	1				
19- 2	KNOB, throttle lever	194150-01190	1	1				
19- 3	SPRING 10, belleville	194200-01150	2	2		10		
19- 4	WASHER 10, plain	22137-100000	2	2		10		
19- 5	NUT M10	26716-100002	1	1		10		
19- 6	LOCK NUT M10	26756-100002	1	1		10		
19- 7	ROD, throttle	194340-02210	1	1				
19- 8	HOOK, engine stop	194340-02310	1	1				
19- 9	COLLAR	194340-02320	1	1				
19- 10	SHIFTER	194340-02330	1	1				
19- 11	WASHER 8, plain	22117-080000	2	2		10		
19- 12	COTTER PIN 2 x 12	22417-200120	2	2		10		
19- 13	LEVER, decompression	194200-01200	1	1				
19- 14	WASHER 6, plain	22117-060000	1	1		10		
19- 15	COTTER PIN 2 x 10	22417-200100	1	1		10		
19- 16	WASHER 10, plain	22117-100000	1	1		10		
19- 17	PLATE, throttle arm	194340-01650	1	1				
19- 18	ROD, throttle pedal	194340-01660	1	1				
19- 19	HOOK, pedal spring	194200-01710	1	1				
19- 20	PEDAL, throttle	194200-01541-X	1	1				

Fig. 19 ENGINE CONTROL (ENGLAND) [YM155, YM155D]

Refer. No.	Description	Part No.	Qty/Unit				Sales Unit	Inter-change ability	Design-change Mark	Remarks
			YM155	YM155D	YM135	YM135D				
19- 21	SCREW M8 x 16	26557-080162	2	2			10			
19- 22	SPRING WASHER 8	22217-080000	2	2			10			
19- 23	WASHER 6	22137-060000	2	2			10			
19- 24	COTTER PIN 2 x 10	22417-200100	2	2			10			
19- 25	SPRING, pedal	194200-01680	1	1						
19- 26	PIN 6 x 14	1A1030-55480	1	1						
19- 27	SUPPORT, throttle	194340-15530	1	1						
19- 28	PIN 8 x 17.5	194200-37800	1	1						
19- 29	SPRING	194340-02340	1	1						
19- 30	NUT M8	26716-080002	2	2			10			
19- 31	BOLT M6 x 12	26116-060122	1	1			10			
19- 32	SPRING WASHER 6	22217-060000	1	1			10			
19- 33	NUT M6	26716-060002	1	1			10			
19- 34	HOLDER, rod	194340-02390	1	1						

SOUTHERN FARM EQUIPMENT

Fig. 20 ENGINE CONTROL (YM135,YM135D)

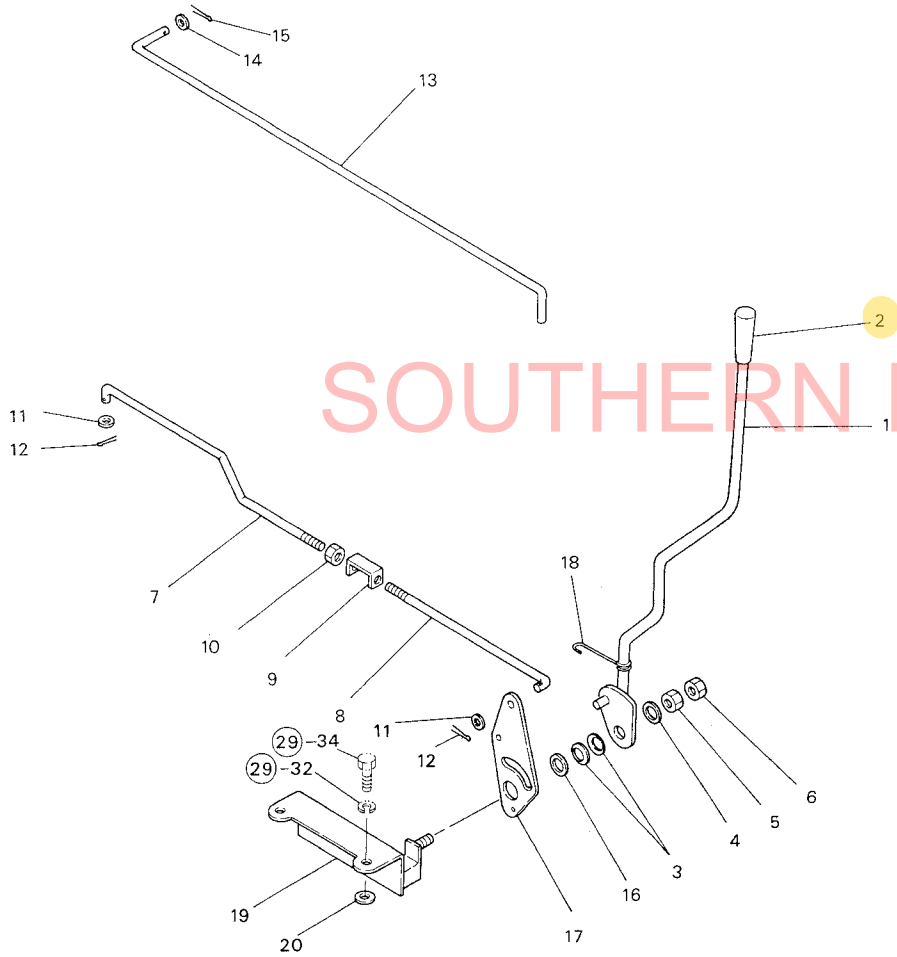


Fig. 20 ENGINE CONTROL (YM135,YM135D)

Refer. No.	Description	Part No.	Qty/Unit			Sales Unit	Inter-changeability	Design-change Mark	Remarks
			YM135	YM135D	YM135				
20- 1	LEVER, throttle	194340-01100			1	1			
20- 2	KNOB, throttle lever	195150-01190			1	1			
20- 3	SPRING 10, belleville	194200-01150			2	2	10		
20- 4	WASHER 10, plain	22117-100000			1	1	10		
	WASHER 10, plain	22137-100000			1	1	10	N	
20- 5	NUT M10	26716-100002			1	1	10		
20- 6	LOCK NUT M10	26756-100002			1	1	10		
20- 7	ROD (front), throttle	194200-01172			1	1			
20- 8	ROD (rear), throttle	194349-01180			1	1			
20- 9	ADJUSTER, throttle	194200-01190			1	1			
20- 10	NUT M8	26716-080002			1	1	10		
20- 11	WASHER 8, plain	22117-080000			2	2	10		
20- 12	COTTER PIN 2 x 12	22417-200120			2	2	10		
20- 13	LEVER, decompression	194262-01200			1	1			
	LEVER, decompression	194262-01201			1	1		N	
20- 14	WASHER 6, plain	22117-060000			1	1	10		
20- 15	COTTER PIN 2 x 10	22417-200100			1	1	10		
20- 16	WASHER 10, plain	22117-100000			1	1	10		
	WASHER 10, plain	22137-100000			1	1	10	N	
20- 17	PLATE, throttle arm	194340-01650			1	1			
20- 18	HOOK	194340-01260			1	1		W	[1]
20- 19	SUPPORT, throttle	194340-15530			1	1			
20- 20	WASHER 10, plain	22137-100000			2	2	10		

Fig. 21 FUEL TANK [YM155,YM155D]

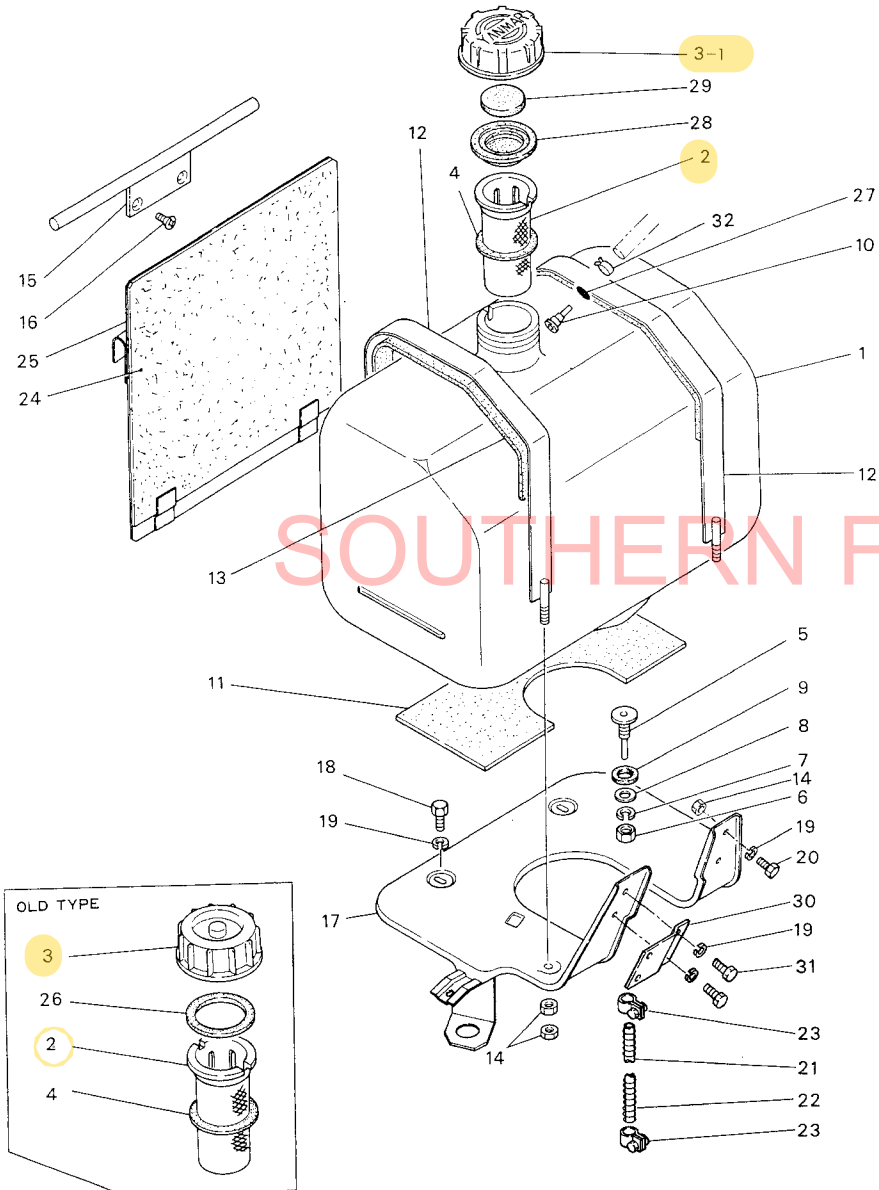


Fig. 21 FUEL TANK [YM155,YM155D]

Refer. No.	Description	Part No.	Qty/Unit			Sales Unit	Interchangeability	Design-change Mark	Remarks
			YM155	YM155D	YM135				
21- 1	FUEL OIL TANK	194340-04100	1	1					
	FUEL OIL TANK	194340-04101	1	1			N	YM155 -T/# 52260 YM155D-T/# 57524	
21- 2	STRAINER, fuel oil tank	194151-04140	1	1					
	STRAINER, fuel oil tank	194151-04141	1	1			N		
21- 3	CAP, fuel oil tank	194151-04120	1	1					
	CAP, fuel oil tank	194150-04121	1	1			N	[1]	
21-3-1	CAP, fuel oil tank	194155-04720	1	1			F	Interchangeable by set with 21-28 21-29 YM155 -T/# 52260 YM155D-T/# 57524	
	CAP, fuel oil tank	194155-04120	1	1			N		
21- 4	PACKING, cap	194151-04150	1	1					
21- 5	PIPE, tank outlet	194200-04251	1	1					
21- 6	NUT M10	26716-100002	1	1		10			
21- 7	SPRING WASHER 10	22217-100000	1	1		10			
21- 8	WASHER 10, plain	22117-100000	1	1		10			
21- 9	PACKING 10	194200-04280	1	1					
21- 10	JOINT, pipe	194150-04760	1	1					
	JOINT, pipe	194200-04260	1	1			N	[3]	
	JOINT, pipe 8d x 30L	197000-06020	1	1			N	[3]	
	JOINT, pipe 8d x 33.5L	194240-04760	1	1			F	Interchangeable by set with 21-27	
	JOINT, pipe 8d x 29.5L	194200-04261	1	1			N	[5]	
21- 11	FELT 300 x 120 x 3	194200-04270	1	1					
	FELT 300 x 120 x 3	194200-04270	1	1			Z	[5]	
21- 12	BAND, fuel oil tank	194200-04301	2	2					
	BAND, fuel oil tank	194200-04301-X	2	2			N		
21- 13	FELT 300 x 30 x 3	194200-04340	2	2					
	FELT 300 x 30 x 3	194200-04340	2	2			Z	[5]	

Fig. 21 FUEL TANK [YM155,YM155D]

Refer. No.	Description	Part No.	Qty/Unit				Sales Unit	Inter-change ability	Design-change Mark	Remarks
			YM155	YM155D	YM135	YM135D				
21- 14	NUT M8	26716-080002	6	6			10			
21- 15	LATCH, band	194200-04350-X	1	1						
21- 16	SCREW M8 x 16	26577-080162	2	2			10			
21- 17	BRACKET, fuel oil tank	194200-04503	1	1					Misprint	
	BRACKET, fuel oil tank	194340-04500	1	1						
21- 18	BOLT M8 x 20	26116-080202	2	2			10			
	BOLT M8 x 12	26116-080122	2	2			10	S	[4]	
	BOLT M8 x 12	26013-080122	2	2			10	N		
21- 19	SPRING WASHER 8	22217-080000	6	6			10			
21- 20	BOLT M8 x 16	26116-080162	4	4			10			
	BOLT M8 x 16	26013-080162	2	2			10	N		
21- 21	FUEL PIPE	194200-04650	1	1						
21- 22	SPRING, pipe protection	194200-04660	1	1						
21- 23	BAND, hose	124460-59060	2	2			10			
21- 24	ASBESTOS 190 x 190 x 3.2	194340-04490	1	1				w	[1]	
21- 25	COVER, fuel oil tank	194340-04390-X	1	1				w	[1]	
21- 26	PACKING, cap	194150-04130	1	1				z	[1]	
21- 27	O-ring 4-S	24341-000040	1	1			10	w	[3]	
21- 28	BAFFLE PACKING, cap	194155-04160	1	1				F		
21- 29	BAFFLE FORM	194155-04170	1	1				F	YM155 -T/# 52260 YM155D-T/# 57524	
21- 30	BRACKET, fuse box	194345-52490-X	1	1				w		
21- 31	BOLT M8 x 20	26116-080202	2	2			10			
21- 32	CLIP	124060-77680	1	1			10			

Fig. 22 FUEL TANK [YM135,YM135D]

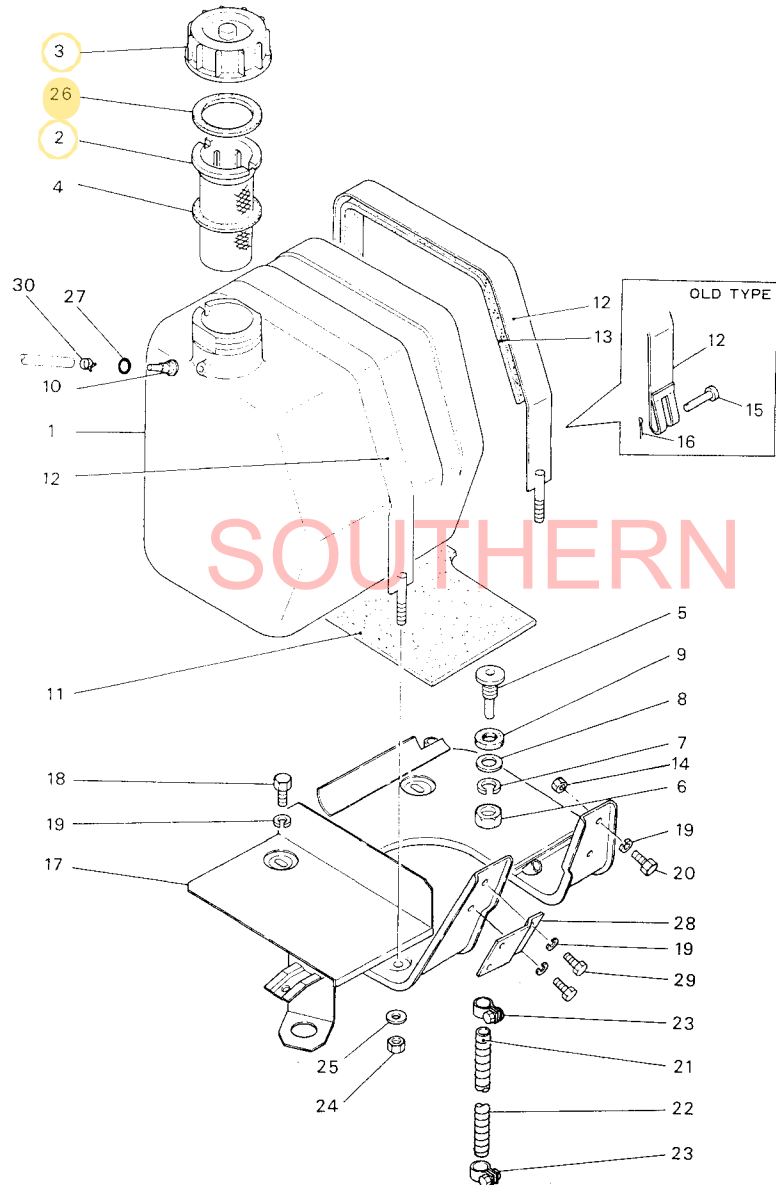


Fig. 22 FUEL TANK [YM135,YM135D]

Refer. No.	Description	Part No.	Qty/Unit				Sales Unit	Inter-changeability	Design-change Mark	Remarks
			YM135	YM135D	YM135	YM135D				
22- 1	FUEL OIL TANK	194390-04100			1	1				
22- 2	STRAINER, fuel oil tank	194151-04140			1	1				
	STRAINER, fuel oil tank	194151-04141			1	1		N		
22- 3	CAP, fuel oil tank	194151-04120			1	1				
	CAP, fuel oil tank	194150-04121			1	1		N	[1]	
22- 4	PACKING, cap	194151-04150			1	1				
22- 5	PIPE, tank outlet	194200-04251			1	1				
22- 6	NUT M10	26716-100002			1	1	10			
22- 7	SPRING WASHER 10	22217-100000			1	1	10			
22- 8	WASHER 10, plain	22117-100000			1	1	10			
22- 9	PACKING 10	194200-04280			1	1				
22- 10	JOINT, pipe	194150-04760			1	1				
	JOINT, pipe	194200-04260			1	1		N	[3]	
	JOINT, pipe 8d x 30L	197000-06020			1	1		N	[3]	
	JOINT, pipe 8d x 33.5L	194240-04760			1	1		F		Interchangeable by set with 22-27
	JOINT, pipe 8d x 29.5L	194200-04261			1	1		N	[5]	
22- 11	FELT 285 x 160 x 3	194262-04270			1	1				
	FELT 285 x 160 x 3	194262-04270			1	1		Z	[5]	
22- 12	BAND, fuel oil tank	194262-04300-X			2	2				
22- 13	FELT 380 x 34 x 3	194262-04280			2	2				
	FELT 380 x 34 x 3	194262-04280			2	2		Z	[5]	

Fig. 22 FUEL TANK [YM135,YM135D]

Refer. No.	Description	Part No.	Qty/Unit				Sales Unit	Inter-change ability	Design-change Mark	Remarks
			YM155	YM155D	YM135	YM135D				
22- 14	NUT M8	26716-080002			2	2	10			
22- 15	ROD 6 x 50	194262-04330			2	2				
	LOCK PIN, band	194262-04331			2	2		N	[1]	
22- 16	COTTER PIN 2 x 15	22417-200150			4	4	10			
	COTTER PIN 2 x 15	22417-200150			2	2	10	K	[1]	
22- 17	BRACKET, fuel oil tank	194390-04500			1	1				
22- 18	BOLT M8 x 20	26116-080202			2	2	10			
	BOLT M8 x 12	26116-080122			2	2	10	S	[4]	
	BOLT M8 x 12	26013-080122			2	2	10	N		
22- 19	SPRING WASHER 8	22217-080000			6	6	10			
22- 20	BOLT M8 x 16	26116-080162			4	4	10			
	BOLT M8 x 16	26013-080162			2	2	10	N		
22- 21	FUEL PIPE	194200-04650			1	1				
22- 22	SPRING, pipe protection	194200-04660			1	1				
22- 23	BAND, hose	124460-59060			2	2	10			
22- 24	LOCK NUT M8	26716-080002			4	4	10			
	U-NUT M8	26346-080002			2	2	10	N		
22- 25	WASHER 8, plain	22117-080000			2	2	10	W	[1]	
22- 26	PACKING, cap	194150-04130			1	1		Z	[1]	
22- 27	O-RING 4-S	24341-000040			1	1	10	W	[3]	
22- 28	BRACKET, fuse box	194345-52490-X			2	2				
22- 29	BOLT M8 x 20	26116-080202			1	1	10			
22- 30	CLIP	124060-77680			1	1				

Fig. 23 FRONT AXLE (FOR YM155)

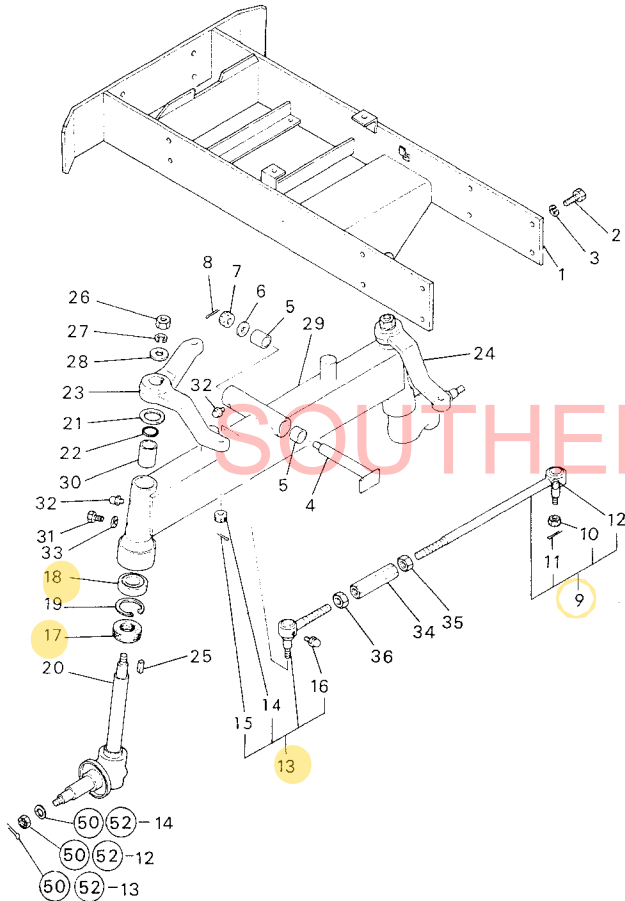


Fig. 23 FRONT AXLE (FOR YM155)

Refer. No.	Description	Part No.	Q'ty/Unit			Sales Unit	Inter-changeability	Design-change Mark	Remarks
			YM155	YM155D	YM135				
23- 1	BRACKET, front axle	194340-11350-X	1						
23- 2	BOLT M12 x 30	26116-120302	8			10			
	BOLT M12 x 30	26013-120302	8			10	N		
23- 3	SPRING WASHER 12	22217-120000	8				Z		
23- 4	CENTER PIN	194210-13212	1						
	CENTER PIN	194210-13212-X	1				N		
	CENTER PIN	194340-13212-X	1				S	Misprint	
	CENTER PIN	194340-13210	1				S	YM155-T/# 52292	
23- 5	BUSH 25d x 24L	194200-11570	2						
	BUSH 25d x 24L	194200-11570	2				Z	[1]	
23- 6	WASHER 16, plain	22137-160000	1			10			
	WASHER 20, plain	22137-200000	1				S	YM155 -T/# 52292	
23- 7	CASTLE NUT M16	194210-13250	1						
	CASTLE NUT M20	26877-200002	1				S	YM155 -T/# 52292	
23- 8	COTTER PIN 4 x 30	22417-400300	1			10			
	COTTER PIN 4 x 40	22417-400400	1			10	N	YM155-T/# 52292	
23- 9	TIE-ROD, complete	194200-14611	1						
	TIE-ROD, complete	194200-14611-X	1				N		
23- 10	.CASTLE NUT 11	194730-57241	2						
23- 11	.COTTER PIN 3 x 25	22417-300250	2			10			
23- 12	.GREASE NIPPLE	194730-57411	2			10			
	.GREASE NIPPLE MT6 x 1	24761-060000	1			10	N		
23- 13	TIE-ROD END ASS'Y (RL)	794730-57122	1						
	TIE-ROD END ASS'Y (RL)	794730-57122-X	1				N		
23- 14	.CASTLE NUT 11	194730-57241	2						
23- 15	.COTTER PIN 3 x 25	22417-300250	2			10			
23- 16	.GREASE NIPPLE	194730-57411	2			10			
	.GREASE NIPPLE MT6 x 1	24761-060000	1			10	N		

Fig. 23 FRONT AXLE (FOR YM155)

MEMO

Refer. No.	Description	Part No.	Q'ty/Unit			Sales Unit	Inter-change ability	Design-change Mark	Remarks
			YM155	YM155D	YM135				
23- 17	OIL SEAL TC35 52 11	194150-12720	2			10			
23- 18	BALL BEARING 6205	24101-062054	2						
23- 19	WASHER 42 x 51.8 x 1	194151-11670	2			10		Selective	
	CIRCLIP 48-H	22252-000480	2			10			
23- 20	KING PIN, complete	194151-11600	2						
	KING PIN, complete	194151-11600-X	2				N		
23- 21	COVER,king pin upper 40d x 3w	194151-11840	2						
23- 22	O-RING 1A-2025	194151-11860	2			10			
23- 23	ARM (L), knuckle	194200-11782	1						
	ARM (L), knuckle	194200-11782-X	1				N		
23- 24	ARM (R), knuckle	194200-11792	1						
	ARM (R), knuckle	194200-11792-X	1				N		
23- 25	KEY 7 x 26, feather	194151-11660	2			10			
23- 26	NUT M10	194151-11640	2			10			
23- 27	SPRING WASHER 18	22217-180000	2			10			
23- 28	WASHER, plain 36d x 2.3w	194151-11650	2						
23- 29	AXLE, front	194340-11500-X	1						
	AXLE, front	194200-11502	1				N		
23- 30	BUSH 29d x 38L	194151-11360	1						
	BUSH 29d x 38L	194151-11360	2				K	[1]	
	BUSH 25 x 29 x 30	194440-11360	2				N	YM155 -T/# 52509	
23- 31	BOLT M6 x 6	194151-11490	2			10			
	BOLT M6 x 5	194145-11350	2			10	N		
23- 32	GREASE NIPPLE	194151-11480	3			10			
	GREASE NIPPLE MT6 x 1	24761-060000	3			10	N		
23- 33	PACKING 6	23418-060000	1				W	[1]	
23- 34	TURNBUCKLE 17 x 1.5	194150-12410	1						
23- 35	NUT M17 (LH screw)	194990-22830	1			10			
23- 36	NUT M17 (RH screw)	194990-22840	1			10			

SOUTHERN FARM EQUIPMENT

Fig. 24 FRONT AXLE (FOR YM135)

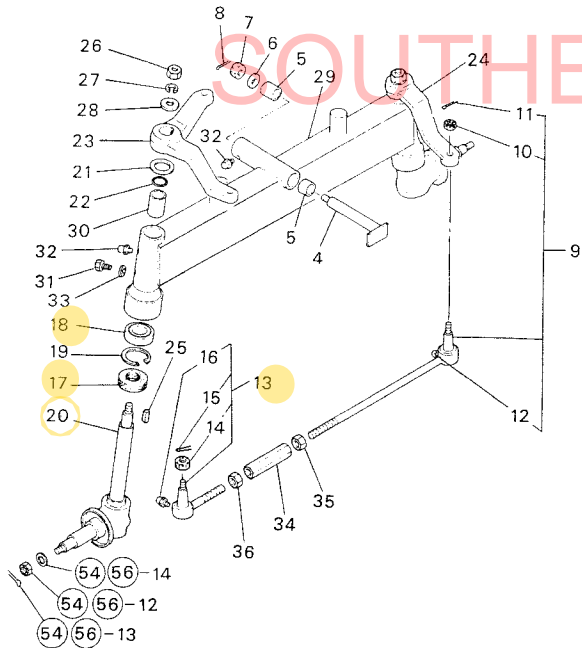
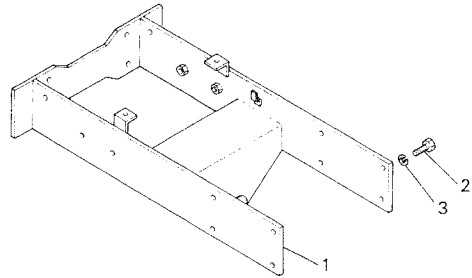


Fig. 24 FRONT AXLE (FOR YM135)

Refer. No.	Description	Part No.	Q'ty/Unit				Inter-changeability	Design-change Mark	Remarks
			YM155	YM155D	YM135	YM135D			
24- 1	BRACKET, front axle	194262-11352			1				
	BRACKET, front axle	194262-11352-X			1		N		
24- 2	BOLT M12 x 30	26116-120302			8	10			
24- 3	SPRING WASHER 12	22217-120000			8	10			
24- 4	CENTER PIN	194210-13212			1				
	CENTER PIN	194210-13212-X			1		N		
24- 5	BUSH	194151-11520			2				
	BUSH 25d x 25L	194190-11520			2		S	[1]	
24- 6	WASHER 16, plain	22137-160000			1	10			
24- 7	CASTLE NUT M16	194210-13250			1				
24- 8	COTTER PIN 4 x 30	22417-400300			1	10			
24- 9	TIE-ROD, complete	194262-14610			1				
	TIE-ROD, complete	194262-14610-X			1		N		
24- 10	.CASTLE NUT 11	194730-57241			2				
24- 11	.COTTER PIN 3 x 25	22417-300250			2	10			
24- 12	.GREASE NIPPLE	194730-57411			2	10			
	.GREASE NIPPLE MT6 x 1	24761-060000			1	10	N		
24- 13	TIE-ROD END ASS'Y (RL)	794730-57122			1				
	TIE-ROD END ASS'Y (RL)	794730-57122-X			1		N		
24- 14	.CASTLE NUT 11	194730-57241			2				
24- 15	.COTTER PIN 3 x 25	22417-300250			2	10			
24- 16	.GREASE NIPPLE	194730-57411			2	10			
	.GREASE NIPPLE MT6 x 1	24761-060000			1	10	N		

Fig. 24 FRONT AXLE (FOR YM135)

Refer. No.	Description	Part No.	Q'ty/Unit				Sales Unit	Inter-changeability	Design-change Mark	Remarks
			YM155	YM155D	YM135	YM135D				
24- 17	OIL SEAL TC35 52 11	194150-12720			2	10				
24- 18	BALL BEARING 6205	24101-062054			2					
24- 19	WASHER 42 x 51.8 x 1	194151-11670			2	10			Selective	
	CIRCLIP 48-H	22252-000480			2	10				
24- 20	KING PIN, complete	194151-11600			2					
	KING PIN, complete	194151-11600-X			2		N			
24- 21	COVER,king pin upper 40d x 3w	194151-11840			2					
24- 22	O-RING 1A-2025	194151-11860			2	10				
24- 23	ARM (L), knuckle	194262-11781			1					
	ARM (L), knuckle	194262-11781-X			1		N			
24- 24	ARM (R), knuckle	194262-11790			1					
	ARM (R), knuckle	194262-11790-X			1		N			
24- 25	KEY 7 x 26, feather	194151-11660			2	10				
24- 26	NUT M10	194151-11640			2	10				
24- 27	SPRING WASHER 18	22217-180000			2	10				
24- 28	WASHER, plain 36d x 2.3w	194151-11650			2					
24- 29	AXLE, front	194262-11500			1					
	AXLE, front	194262-11500-X			1		N			
24- 30	BUSH 29d x 38L	194151-11360			1					
	BUSH 29d x 38L	194151-11360			2		K	[1]		
24- 31	BOLT M6 x 6	194151-11490			2	10				
	BOLT M6 x 5	194145-11350			2	10	N			
24- 32	GREASE NIPPLE	194151-11480			3	10				
	GREASE NIPPLE MT6 x 1	24761-060000			3	10	N			
24- 33	PACKING 6	23418-060000			1		W	[1]		
24- 34	TURNBUCKLE 17 x 1.5	194150-12410			1					
24- 35	NUT M17 (LH screw)	194990-22830			1	10				
24- 36	NUT M17 (RH screw)	194990-22840			1	10				

Fig. 25 FRONT AXLE (FOR YM155D)

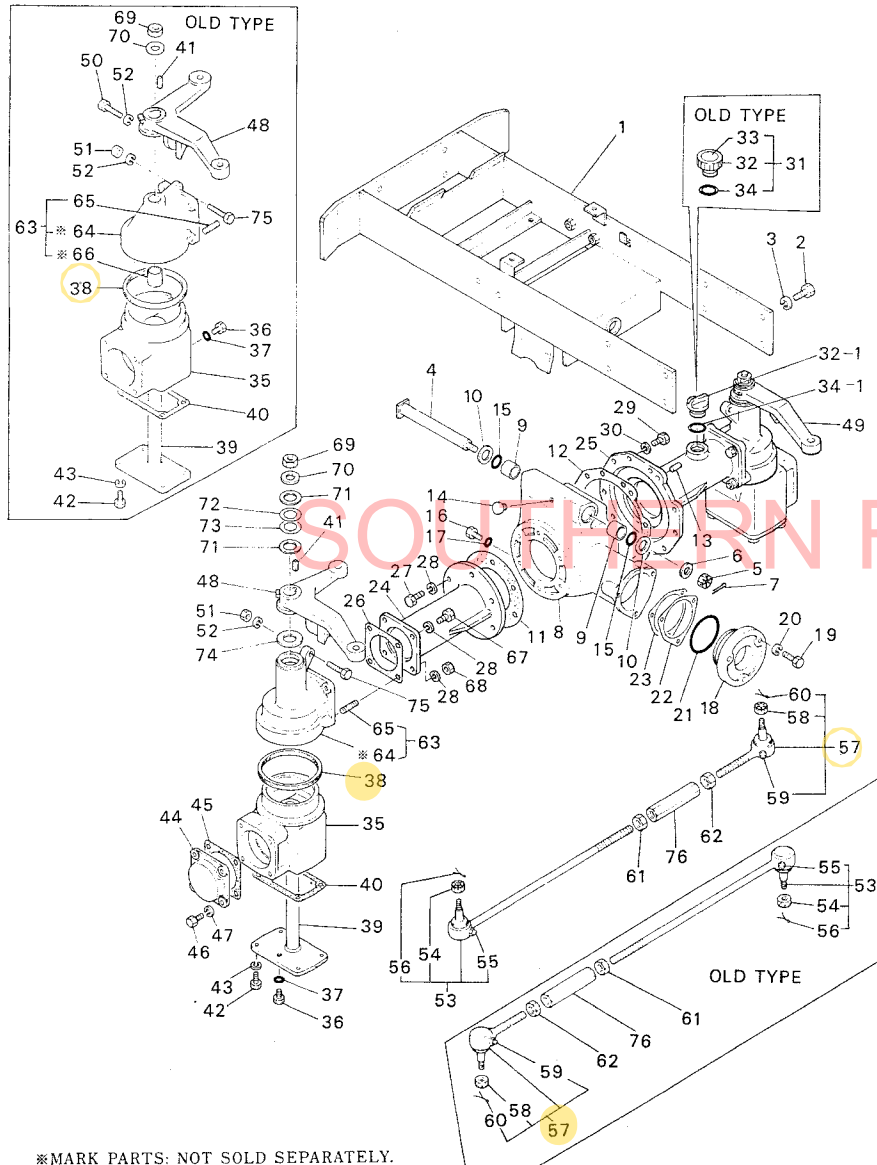


Fig. 25 FRONT AXLE (FOR YM155D)

Refer. No.	Description	Part No.	Q ty/Unit				Inter-changeability	Design-change Mark	Remarks
			YM155	YM155D	YM135	YM135D			
25- 1	BRACKET, front axle	194341-11100-X	1						
	BRACKET, front axle	194341-11101-X	1				N		
25- 2	BOLT M12 x 30	26116-120302	8			10			
	BOLT M12 x 30	26013-120302	8			10	N		
25- 3	SPRING WASHER 12	22217-120000	8				Z		
25- 4	CENTER PIN	194210-13212	1						
	CENTER PIN	194210-13212-X	1				N		
	CENTER PIN	194340-13210-X	1				S	YM155D-T/# 57929	
25- 5	CASTLE NUT M16	194210-13250	1			10			
	CASTLE NUT M20	26877-200002	1				S	YM155D-T/# 57929	
25- 6	WASHER 16	22137-160000	1			10			
	WASHER 20	22137-200000	1				S	YM155D-T/# 57929	
25- 7	COTTER PIN 4 x 30	22417-400300	1			10			
	COTTER PIN 4 x 40	22417-400400	1			10	N	YM155D-T/# 57929	
25- 8	CASE, front axle	194210-13512	1						
	CASE, front axle	194210-13512-X	1				N		
25- 9	METAL 22 x 28 x 22	194210-13520	2						
25- 10	LINER 22.5 x 34 x 2	194210-13530	2						
25- 11	PACKING(L), front axle flange	194210-13540	1			10			
25- 12	PACKING(R), front axle flange	194210-13551	1			10			
25- 13	PIN 8 x 28, straight	1A1040-26060	2			10			
25- 14	BREATHER 10	194210-13561	1						
25- 15	O-RING P22A	24311-350220	2			10			
25- 16	OIL PLUG 10	1A1040-48070	2						
25- 17	O-RING 12-P	24311-000120	2			10			
25- 18	CAP, front axle case	194210-13570	1						
	CAP, front axle case	194210-13570-X	1				N		
	CAP, front axle case	194212-13450	1				F	YM155D-57457	
	CAP, front axle case	194212-13450-X	1				N		

*MARK PARTS: NOT SOLD SEPARATELY.

Fig. 25 FRONT AXLE (FOR YM155D)

Refer. No.	Description	Part No.	Q'ty/Unit			Sales Unit	Inter-change ability	Design-change Mark	Remarks
			YM155	YM155D	YM135				
25- 19	BOLT M8 x 30	26116-080302		3		10			
	BOLT M8 x 30	26013-080302		3		10	N		
25- 20	SPRING WASHER 8	22217-080000		3			Z		
25- 21	O-RING 60-G	24322-000600		1		10			
	O-RING 60-G	24321-000600		1		10	N		
25- 22	SHIM 0.1, front axle case	194210-14450		-		10		Selective	
25- 23	SHIM 0.2, front axle case	194210-14460		-		10			
25- 24	AXLE (L), front	194210-13610		1					
	AXLE (L), front	194210-13610-X		1			N		
	AXLE (L), front	194341-13610		1			S	[4]	
	AXLE (L), front	194341-13610-X		1			N		
25- 25	AXLE (R), front	194210-13621		1					
	AXLE (R), front	194210-13621-X		1			N		
	AXLE (R), front	194341-13621		1			S	[4]	
	AXLE (R), front	194341-13621-X		1			N		
	AXLE (R), front	194346-13620-X		1			S	YM155D-T/#57524	
25- 26	PACKING, front axle outer flange	194210-13740		2		10			
	PACKING, front axle outer flange	194341-13740		2		10	S	[4]	
25- 27	BOLT M10 x 28	26116-100282		6		10			
	BOLT M10 x 28	26013-100282		6		10	N		
25- 28	SPRING WASHER 10	22217-100000		14		10			
	SPRING WASHER 10	22217-100000		4		10	N		
25- 29	BOLT M8 x 22	26116-080222		11		10			
	BOLT M8 x 25	26116-080252		11		10	S	[4]	
	BOLT M8 x 25	26013-080252		11		10	N		
25- 30	SPRING WASHER 8	22217-080000		11			Z		

Fig. 25 FRONT AXLE (FOR YM155D)

Refer. No.	Description	Part No.	Q'ty/Unit			Sales Unit	Inter-change ability	Design-change Mark	Remarks
			YM155	YM155D	YM135				
25- 31	OIL PLUG 30 w/PLATE	794210-13750		1					
	OIL PLUG 30 w/PLATE	794341-13750		1				S	[4]
25- 32	OIL PLUG 30	194200-24380		1					
25- 32-1	OIL PLUG 20	194346-13630		1				S	YM155D-T/# 57524
25- 33	.LABEL, front axle oiling instruction	194210-65310		1					
	.LABEL, front axle oiling instruction	194341-65310		1				N	[1]
	.LABEL, front axle oiling instruction	194341-65311		1				S	[4]
	.LABEL, front axle oiling instruction	194341-65311		1				Z	
25- 34	O-RING 30-S	24341-000300		2		10			
	O-RING 30-S	24341-000300		1		10		K	[1]
25- 34-1	O-RING 18-P	24341-000180		1				S	YM155D-T/# 57524
	O-RING 18-P	24311-000180		1		10		N	
25- 35	GEAR CASE, lower front	194210-13822		2					
	GEAR CASE, lower front	194341-13820		2				S	[4]
	GEAR CASE, lower front	194341-13820-X		2				N	
25- 36	OIL PLUG 10	1A1040-48070		2		10			
25- 37	O-RING 12-P	24311-000120		2		10			
25- 38	OIL SEAL 100 x 120 x 12	194210-13841		2		10			
	OIL SEAL TC135 x 165 x 14	194341-13840		2		10		S	[4]
25- 39	KING PIN	194210-13902		2					
	KING PIN	194210-13902-X		2				N	
	KING PIN	194341-13900		2				S	[4]
	KING PIN	194341-13900-X		2				N	
25- 40	PACKING, front gear case bottom	194210-13950		2		10			
	PACKING, front gear case bottom	194341-13950		2		10		S	[4]
25- 41	KEY 7 x 26, feather	22512-070260		2		10			
	KEY 7 x 26, feather	194151-11660		2		10		N	[1]

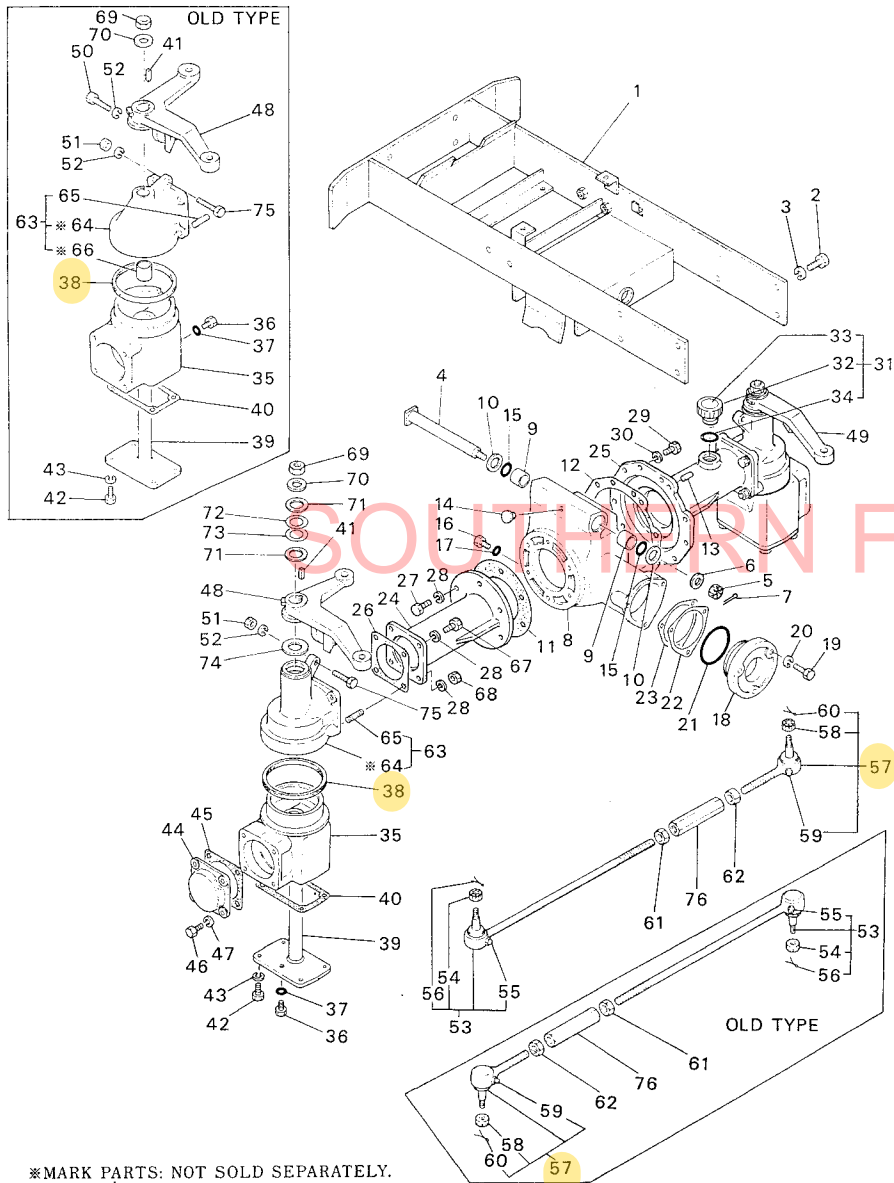
Fig. 25 FRONT AXLE (FOR YM155D)

Refer. No.	Description	Part No.	Q'ty/Unit			Sales Unit	Inter-changeability	Design-change Mark	Remarks
			YM155	YM155D	YM135				
25- 42	BOLT M10 x 22	26116-100222	8			10			
	BOLT M10 x 28	26116-100282	8			10	S [4]		
	BOLT M10 x 28	26013-100282	8			10	N		
25- 43	SPRING WASHER 10	22217-100000	8				Z		
25- 44	CAP, front gear case	194210-13930-X	2						
25- 45	PACKING, front gear case cap	194210-13940	2			10			
25- 46	BOLT M8 x 22	26116-080222	8			10			
	BOLT M8 x 22	26013-080222	8			10	N		
25- 47	SPRING WASHER 8	22217-080000	8				Z		
25- 48	ARM (L), knuckle	194210-14510	1						
	ARM (L), knuckle	194341-14510-X	1				S [4]		
	ARM (L), knuckle	194341-14530-X	1				N [5]		
25- 49	ARM (R), knuckle	194210-14520-X	1						
	ARM (R), knuckle	194341-14520-X	1				S [4]		
25- 50	BOLT M10 x 38	26116-100384	4			10			
	BOLT M10 x 40	194210-14550	4			10	N [1]		
	BOLT M10 x 40	194210-14550	2			10	K [4]		
25- 51	LOCK NUT M10	26756-100002	2			10			
25- 52	SPRING WASHER 10	22217-100000	4			10			
	SPRING WASHER 10	22217-100000	2				K [4]		
25- 53	TIE-ROD	194200-14611-X	1				S [4]		
25- 54	.CASTLE NUT M11	194730-57241	1			10			
25- 55	.GREASE NIPPLE 1/4	194730-57411	2			10			
	.GREASE NIPPLE MT6x1	24761-060000	1			10	N		
25- 56	.COTTER PIN 3 x 25	22417-300250	1			10			
25- 57	TIE-ROD END ASS'Y (RL)	794730-57122-X	1						
25- 58	.CASTLE NUT M11	194730-57241	1			10			
25- 59	.GREASE NIPPLE 1/4	194730-57411	2			10			
	.GREASE NIPPLE MT6x1	24761-060000	1			10	N		
25- 60	.COTTER PIN 3 x 25	22417-300250	1			10			

Fig. 25 FRONT AXLE (FOR YM155D)

Refer. No.	Description	Part No.	Q'ty/Unit			Sales Unit	Inter-changeability	Design-change Mark	Remarks
			YM155	YM155D	YM135				
25- 61	NUT M17 (LH screw)	194990-22830	1			10			
25- 62	NUT M17 (RH screw)	194990-22840	1			10			
25- 63	GEAR CASE ASS'Y, upper front	794210-13802-X	2						
	GEAR CASE ASS'Y, upper front	794341-13800-X	2				S [4]		
25- 64	.GEAR CASE, upper front	*	2				*	Not Sold Separately.	
	.GEAR CASE, upper front	*	2				* S [4]	Not Sold Separately. (194341-13810)	
25- 65	.STUD M10 x 20	194210-13880	4			10			
	.STUD M10 x 23	194210-13881	4			10	S [4]		
25- 66	.METAL 22 x 25 x 50	194210-13831	2				Z [4]		
25- 67	BOLT M10 x 28	26116-100282	4			10			
	BOLT M10 x 28	26013-100282	4			10	N		
25- 68	NUT M10	26716-100002	4			10			
25- 69	NUT M18 x 1.5	194151-11640	2			10			
	NUT M18 x 1.5	26736-180002	2			10	N [4]		
5- 70	PLATE, washer	194151-11650	2						
	WASHER 18	22117-180000	2				N [4]		
25- 71	LINER 22.5 x 40 x 1	194341-13790	4			10	W [4]		
25- 72	SHIM 22.5 x 40 x 0.3	194341-13980	-			-10	W [4]	} Selective	
25- 73	SHIM 22.5 x 40 x 0.1	194341-13990	-			-10	W [4]		
25- 74	LINER 25.5 x 60 x 1.6	194341-13960	2			10	W [4]		
25- 75	BOLT M10 x 40	26116-100404	2			10	[1]		

Fig. 26 FRONT AXLE (FOR YM135D)



*MARK PARTS: NOT SOLD SEPARATELY.

Fig. 26 FRONT AXLE (FOR YM135D)

Refer. No.	Description	Part No.	Q'ty/Unit			Inter-changeability	Design-change Mark	Remarks
			YM155	YM135D	YM135			
26- 1	BRACKET, front axle	194263-11102			1			
26- 2	BOLT M12 x 30	26116-120302			8	10		
26- 3	SPRING WASHER 12	22217-120000			8	10		
26- 4	CENTER PIN	194210-13212			1			
	CENTER PIN	194210-13212-X			1		N	
26- 5	CASTLE NUT M16	194210-13250			1	10		
26- 6	WASHER 16	22137-160000			1	10		
26- 7	COTTER PIN 4 x 30	22417-400300			1	10		
26- 8	CASE, front axle	194210-13512			1			
	CASE, front axle	194210-13512-X			1		N	
26- 9	METAL 22 x 28 x 22	194210-13520			2			
26- 10	LINER 22.5 x 34 x 2	194210-13530			2			
26- 11	PACKING(L), front axle flange	194210-13540			1	10		
26- 12	PACKING(R), front axle flange	194210-13551			1	10		
26- 13	PIN 8 x 28, straight	1A1040-26060			2	10		
26- 14	BREATHER 10	194210-13561			1			
26- 15	O-RING P22A	24311-350220			2	10		
26- 16	OIL PLUG 10	1A1040-48070			2			
26- 17	O-RING 12-P	24311-000120			2	10		
26- 18	CAP, front axle case	194210-13570			1			
	CAP, front axle case	194210-13570-X			1		N	
	CAP, front axle case	194212-13450					F	
	CAP, front axle case	194212-13450-X					N	

Fig. 26 FRONT AXLE (FOR YM135D)

Refer. No.	Description	Part No.	Q ^{1/2} /Unit			Sales Unit	Inter-change ability	Design-change Mark	Remarks
			YM155	YM155D	YM135				
26- 19	BOLT M8 x 30	26116-080302				3 10			
	BOLT M8 x 30	26013-080302				3 10	N		
26- 20	SPRING WASHER 8	22217-080000				3	Z		
26- 21	O-RING 60-G	24322-000600				1 10			
	O-RING 60-G	24321-000600				1 10	N		
26- 22	SHIM 0.1, front axle case	194210-14450				- 10		Selective	
26- 23	SHIM 0.2, front axle case	194210-14460				- 10			
26- 24	AXLE (L), front	194263-13610-X				1			
	AXLE (L), front	194263-13611				1	N	[1]	
	AXLE (L), front	194263-13611-X				1	N		
	AXLE (L), front	194341-13610				1	S	[4]	
	AXLE (L), front	194341-13610-X				1	N		
26- 25	AXLE (R), front	194346-13620-X				1	N		
	AXLE (R), front	194263-13620-X				1	N		
	AXLE (R), front	194263-13621				1	N	[4]	
	AXLE (R), front	194263-13621-X				1	N		
	AXLE (R), front	194341-13621				1	S	[4]	
	AXLE (R), front	194341-13621-X				1	N		
26- 26	PACKING, front axle outer flange	194210-13740				2 10			
	PACKING, front axle outer flange	194341-13740				2 10	S	[4]	
26- 27	BOLT M10 x 28	26116-100282				6 10			
	BOLT M10 x 28	26013-100282				6 10	N		
26- 28	SPRING WASHER 10	22217-100000				14 10			
	SPRING WASHER 10	22217-100000				4 10	K		
26- 29	BOLT M8 x 22	26116-080222				11 10			
	BOLT M8 x 25	26116-080252				11 10	S	[4]	
	BOLT M8 x 25	26013-080252				11 10	N		
26- 30	SPRING WASHER 8	22217-080000				11	Z		

Fig. 26 FRONT AXLE (FOR YM135D)

Refer. No.	Description	Part No.	Q ^{1/2} /Unit			Sales Unit	Inter-change ability	Design-change Mark	Remarks
			YM155	YM155D	YM135				
26- 31	OIL PLUG 30 w/PLATE	794210-13750				1			
	OIL PLUG 30 w/PLATE	794341-13750				1	S	[4]	
26- 32	OIL PLUG 30	194200-24380				1			
26- 33	.LABEL, front axle oiling instruction	194210-65310				1			
	.LABEL, front axle oiling instruction	194341-65310				1	N	[1]	
	.LABEL, front axle oiling instruction	194341-65311				1	S	[4]	
	.LABEL, front axle oiling instruction	194341-65311				1	Z		
26- 34	.O-RING 30-S	24341-000300				2 10			
	.O-RING 30-S	24341-000300				1 10	K	[1]	
26- 35	GEAR CASE, lower front	194210-13822				2			
	GEAR CASE, lower front	194341-13820				2	S	[4]	
	GEAR CASE, lower front	194341-13820-X				2	N		
26- 36	OIL PLUG 10	1A1040-48070				2 10			
26- 37	O-RING 12-P	24311-000120				2 10			
26- 38	OIL SEAL 100 x 120 x 12	194210-13841				2 10			
	OIL SEAL TC135 x 165 x 14	194341-13840				2 10	S	[4]	
26- 39	KING PIN	194210-13902				2			
	KING PIN	194210-13902-X				2	N		
	KING PIN	194341-13900				2	S	[4]	
	KING PIN	194341-13900-X				2	N		
26- 40	PACKING, front gear case bottom	194210-13950				2 10			
	PACKING, front gear case bottom	194341-13950				2 10	S	[4]	
26- 41	KEY 7 x 26, feather	22512-070260				2 10			
	KEY 7 x 26, feather	194151-11660				2 10	N	[1]	
26- 42	BOLT M10 x 22	26116-100222				8 10			
	BOLT M10 x 28	26116-100282				8 10	S	[4]	
	BOLT M10 x 28	26013-100282				8 10	N		
26- 43	SPRING WASHER 10	22217-100000				8	Z		
26- 44	CAP, front gear case	194210-13930-X				2			
26- 45	PACKING, front gear case cap	194210-13940				2 10			

Fig. 26 FRONT AXLE (FOR YM135D)

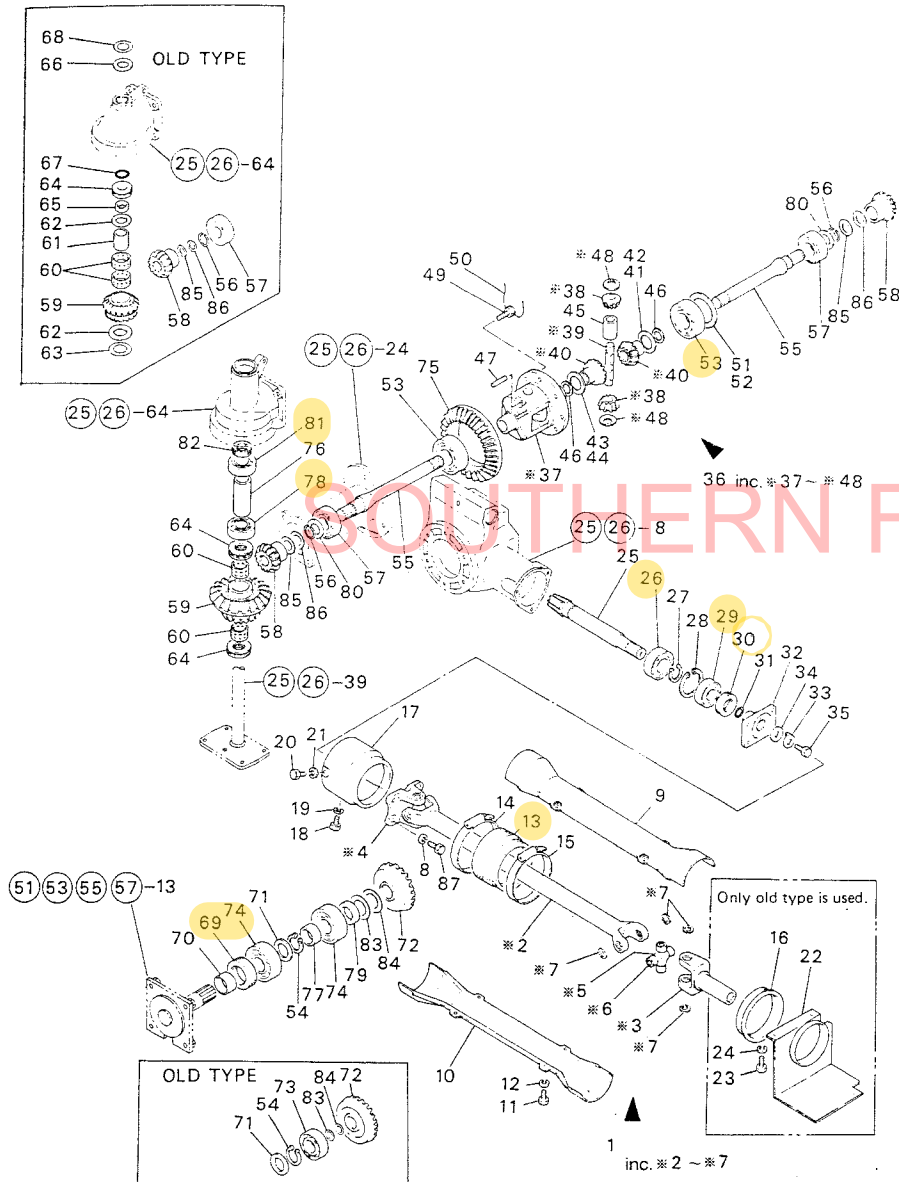
Refer. No.	Description	Part No.	Q'ty/Unit				Inter-changeability	Design-change Mark	Remarks
			YM155	YM155D	YM135	YM135D			
26- 46	BOLT M8 x 22	26116-080222				8 10			
	BOLT M8 x 22	26013-080222				8 10	N		
26- 47	SPRING WASHER 8	22217-080000				8	Z		
26- 48	ARM (L), knuckle	194263-14511				1			
	ARM (L), knuckle	194341-14510-X				1	S [4]		
26- 49	ARM (R), knuckle	194210-1520				1			
	ARM (R), knuckle	194341-14520-X				1	S [4]		
26- 50	BOLT M10 x 38	26116-100384				4 10			
	BOLT M10 x 40	194210-14550				4 10	N [1]		
	BOLT M10 x 40	194210-14550				2 10	K [4]		
26- 51	LOCK NUT M10	26756-100002				2 10			
26- 52	SPRING WASHER 10	22217-100000				4 10			
	SPRING WASHER 10	22217-100000				2	K [4]		
26- 53	TIE-ROD	194262-14610-X				1			
	TIE-ROD	194200-14611				1	S [4]		
26- 54	.CASTLE NUT M11	194730-57241				1 10			
26- 55	.GREASE NIPPLE 1/4	194730-57411				2 10			
	.GREASE NIPPLE MT6x1	24761-060000				1 10	N		
26- 56	.COTTER PIN 3 x 25	22417-300250				1 10			
26- 57	TIE-ROD END ASS'Y (RL)	794730-57122-X				1			
26- 58	.CASTLE NUT M11	194730-57241				1 10			
26- 59	.GREASE NIPPLE 1/4	194730-57411				2 10			
	.GREASE NIPPLE MT6x1	24761-060000				1 10	N		
26- 60	.COTTER PIN 3 x 25	22417-300250				1 10			
26- 61	NUT M17 (LH screw)	194990-22830				1 10			
26- 62	NUT M17 (RH screw)	194990-22840				1 10			

Fig. 26 FRONT AXLE (FOR YM135D)

Refer. No.	Description	Part No.	Q'ty/Unit				Sales Unit	Inter-changeability	Design-change Mark	Remarks
			YM155	YM155D	YM135	YM135D				
26- 63	GEAR CASE ASS'Y, upper front	794210-13802-X				2				
	GEAR CASE ASS'Y, upper front	794341-13800-X				2	S	[4]		
26- 64	.GEAR CASE, upper front	*				2 *			Not Sold Separately.	
	.GEAR CASE, upper front	*				2 *	S	[4]	Not Sold Separately. (194341-13810)	
26- 65	.STUD M10 x 20	194210-13880				4 10				
	.STUD M10 x 23	194210-13881				4 10	N	[4]		
26- 66	.METAL 22 x 25 x 50	*				2 *	Z	[4]	Not Sold Separately.	
26- 67	BOLT M10 x 28	26116-100282				4 10				
	BOLT M10 x 28	26013-100282				4 10	N			
26- 68	NUT M10	26716-100002				4 10				
26- 69	NUT M18 x 1.5	194151-11640				2 10				
	NUT M18 x 1.5	26736-180002				2 10	N	[4]		
26- 70	PLATE, washer	194151-11650				2				
	WASHER 18	22117-180000				2	N	[4]		
26- 71	LINER 22.5 x 40 x 1	194341-13790				4 10	W	[4]		
26- 72	SHIM 22.5 x 40 x 0.3	194341-13980				-	W	[4]	Selective	
26- 73	SHIM 22.5 x 40 x 0.1	194341-13990				-	W	[4]		
26- 74	LINER 25.5 x 60 x 1.6	194341-13960				2 10	W	[4]		
26- 75	BOLT M10 x 40	26116-100404				2 10		[1]		
26- 76	TURNBUCKLE 17 x 1.5	194150-12410				1				

Fig. 27 FRONT AXLE INTERIOR (YM155D, YM135D)

Fig. 27 FRONT AXLE INTERIOR (YM155D, YM135D)



Refer. No.	Description	Part No.	Q'ty/Unit			Inter-changeability	Design-change Mark	Remarks
			YM155	YM155D	YM135D			
27- 1	PROPELLER SHAFT ASS'Y	794210-13300	1	1	1			
27- 2	PROPELLER SHAFT ASS'Y	794210-13300-X	1	1	1	N		
27- 2	.SHAFT, propeller	*	1	1	1	*		Not Sold Separately. (194210-13320)
27- 2	.SHAFT, propeller	194210-13321-X	1	1	1	*		
27- 3	.YOKE, sleeve	*	1	1	1	*		Not Sold Separately. (194210-13350)
27- 3	.YOKE, sleeve	194210-13351-X	1	1	1	*	S	
27- 4	.YOKE, flange	*	1	1	1	*		Not Sold Separately. (194210-13360)
27- 4	.YOKE, flange	194210-13361-X	1	1	1	*	S	
27- 5	.JOINT, cross	*	2	2	2	*		Not Sold Separately. (194210-13370)
27- 5	.JOINT, cross	194210-13371-X	2	2	2	*	S	
27- 6	.NEEDLE BEARING	*	8	8	8	*		Not Sold Separately. (194210-13380)
27- 6	.NEEDLE BEARING	*	8	8	8	*	S	Not Sold Separately. (194210-13381)
27- 7	.SNAP RING 20	*	8	8	10	W		Not Sold Separately. (22252-000200)
27- 8	SPRING WASHER 8	22217-080000	4	4	4	Z		
27- 9	COVER, propeller shaft, complete	194210-13410	1	1	1			
27- 9	COVER, propeller shaft, complete	194210-13410-X	1	1	1	N		
27- 10	COVER, propeller shaft	194210-13420	1	1	1			
27- 10	COVER, propeller shaft	194210-13420-X	1	1	1	N		
27- 11	BOLT M6 x 10	26116-060102	4	4	10			
27- 11	BOLT M6 x 10	26013-060129	4	4	10	N		
27- 12	SPRING WASHER 6	22217-060000	4	4	4	Z		
27- 13	RUBBER (A), setting	194210-13430	1	1	1			
27- 13	RUBBER (A), setting	194212-14650	1	1	1	S		
27- 14	BAND, hose	194210-13490	1	1	10			YM155D-T/#57457

Fig. 27 FRONT AXLE INTERIOR (YM155D,YM135D)

Refer. No.	Description	Part No.	Qty/Unit			Sales Unit	Inter-change ability	Design-change Mark	Remarks
			YM155	YM155D	YM135				
	BAND, hose	23010-115000	1			10	S		
27- 15	CLAMP	23010-100000	1	1		10			
	CLAMP	23010-105000	1			10	S		
27- 16	RUBBER (B), setting	194210-13440	1	1			Z	[4] Interchangeable by set with 27-22.	
27- 17	SUPPORTER (A), propeller shaft cover	194210-13451	1	1			Z		
27- 18	BOLT M8 x 10	26116-080102	1	1		10	Z		
27- 19	SPRING WASHER 8	22217-080000	1	1		10	Z	YM155D-T/#57457	
27- 20	BOLT M6 x 16	26116-060162	4	4		10	Z		
27- 21	SPRING WASHER 6	22217-060000	4	4		10	Z		
27- 22	SUPPORTER (B), propeller shaft cover	194210-13460	1	1					
	SUPPORTER (B), propeller shaft cover	194210-13461	1	1			F	[4] Interchangeable by set with 27-16.	
	SUPPORTER (B), propeller shaft cover	194210-13461	1	1			Z	[5]	
27- 23	BOLT M8 x 16	26116-080162	4	4		10			
	BOLT M8 x 16	26116-080162	4	4			Z	[5]	
27- 24	SPRING WASHER 8	22217-080000	4	4		10			
	SPRING WASHER 8	22217-080000	4	4			Z	[5]	
27- 25	SHAFT, spiral pinion	194210-14100	1	1					
27- 26	BALL BEARING 6305	24101-063054	1	1					
27- 27	CIRCLIP 25-S	22242-000250	1	1		10			
27- 28	CIRCLIP 52-H	22252-000520	1	1		10			

Fig. 27 FRONT AXLE INTERIOR (YM155D,YM135D)

Refer. No.	Description	Part No.	Qty/Unit			Sales Unit	Inter-change ability	Design-change Mark	Remarks
			YM155	YM155D	YM135				
27- 29	BALL BEARING 6304	24101-063044	1			1			
27- 30	OIL SEAL TC30 45 8	194210-13590	1			10			
27- 31	O-RING 20-P	24311-000200	1			10			
27- 32	FLANGE, universal	194210-14121	1			10			
	FLANGE, universal	194210-14121-X	1					N	
27- 33	LOCK PLATE	194200-14160	1						
27- 34	WASHER, lock plate 31d x 3.2w	194200-14171	1						
27- 35	BOLT M8 x 16	26116-080162	1			10			
27- 36	HOUSING ASS'Y, differential	794200-31550	1						
	HOUSING ASS'Y, differential	794200-31551	1					N	
27- 37	.HOUSING, differential 14id	*	1					\$ Not Sold Separately.	
	.HOUSING, differential 15id	*	1					\$ Not Sold Separately. (194200-31751)	
27- 38	.PINION 10, differential 14id	*	2					\$ Not Sold Separately.	
	.PINION 10, differential 15id	*	2					\$ Not Sold Separately. (194200-31811)	
27- 39	.SHAFT, differential pinion 148 x 85L	*	1					\$ Not Sold Separately.	
	.SHAFT, differential pinion 15d x 87L	*	1					\$ Not Sold Separately. (194200-31821)	
27- 40	.GEAR 14, differential side 51.49d	*	2					\$ Not Sold Separately.	
	.GEAR 14, differential side 56.26d	*	2					\$ Not Sold Separately. (194200-31831)	
\$: Change effective units YM155D - from No. 51482 YM135D - from No. 51101									

Fig. 27 FRONT AXLE INTERIOR (YM155D, YM135D)

Refer. No.	Description	Part No.	Qty/Unit			Sales Unit	Inter-change ability	Design-change Mark	Remarks
			YM155	YM155D	YM135				
27- 41	.SPACER 0.9, differential gear 42d	194200-31850	-	-	-	10			
	.SPACER 0.9, differential gear 49d	194200-31851	-	-	-	10	S	\$	
27- 42	.SPACER 1.0, differential gear 42d	194200-31860	-	-	-	10			
	.SPACER 1.0, differential gear 49d	194200-31861	-	-	-	10	S	\$	
27- 43	.SPACER 1.1, differential gear 42d	194200-31870	-	-	-	10		Selective	
	.SPACER 1.1, differential gear 49d	194200-31871	-	-	-	10	S		\$
27- 44	.SPACER 1.2, differential gear 42d	194200-31880	-	-	-	10			
	.SPACER 1.2, differential gear 49d	194200-31881	-	-	-	10	S	\$	
27- 45	.THRUST COLLAR, differential 14id	194200-31900	1	1	1				
	.THRUST COLLAR, differential 15id	194200-31901	1	1	1		S	\$	
27- 46	.LINER 22.5 x 30 x 1	194200-31910	2	2					
27- 47	.PIN 4, differential lock	194200-31940	1	1	1	10			
27- 48	.LINER, differential pinion *		2	2			W [1]	In common with 28-63. Not Sold Separately. (194200-31931)	
27- 49	BOLT M8 x 18	26116-080186	8	8	8	10			
	SEAL BOLT M8 x 18	194201-32150	8	8	8	10	N [5]		
27- 50	WIRE 0.8 x 180	194200-32110	1	1	1	10			
	WIRE 0.8 x 180	194200-32110	1	1	1	10	Z [5]		
27- 51	SHIM 72 x 0.1	194200-32330	-	-	-	10		Selective	
27- 52	SHIM 72 x 0.3	194200-32340	-	-	-	10			

\$: Change effective units
 YM155D - from No. 51482
 YM135D - from No. 51101

Fig. 27 FRONT AXLE INTERIOR (YM155D, YM135D)

Refer. No.	Description	Part No.	Qty/Unit			Sales Unit	Inter-change ability	Design-change Mark	Remarks
			YM155	YM155D	YM135				
27- 53	BALL BEARING 6207	24101-062074	2	2					
27- 54	CIRCLIP 30-S	22242-000300	2	2	2	10			
27- 55	SHAFT, front driving 30d x 245.8L	194341-14200	2						
	SHAFT, front driving 30d x 230L	194390-14200		2					
	SHAFT, front driving 30d x 230L	194391-14200		2			N	[1]	
	SHAFT, front driving 30d x 229.3L	194341-14201	2	2			S	[4]	
27- 56	RING 25, circular	194210-14210	2	2					
27- 57	BALL BEARING 6305	24101-063054	2	2					
27- 58	BEVEL GEAR 14 60d x 30.5L	194210-14230	2	2					
	BEVEL GEAR 14 64d x 33L	194341-14230	2	2			S	[4]	
27- 59	BEVEL GEAR, king pin 73d	194210-14251	2	2					
	BEVEL GEAR, king pin 111d	194341-14250	2	2			S	[4]	
27- 60	NEEDLE BEARING 29 x 33 x 16	194210-14260	4	4					
	NEEDLE BEARING KT25 x 31 x 20	194341-14260	4	4			S	[4]	
27- 61	INNER COLLAR 22 x 28 x 33	194210-14270	2	2			Z	[4]	
27- 62	LINER 22 x 41 x 2.3	194210-14280	4	4			Z	[4]	
27- 63	SHIM 0.1, king pin	194210-14290	-	-	-	10	Z	[4]	
27- 64	THRUST BEARING 51105	194210-14300	2	2					
	THRUST BEARING 51105	194210-14300	4	4			K	[4]	
27- 65	COLLAR 22 x 25 x 10	194210-14310	2	2	5		Z	[4]	
27- 66	LINER 22 x 34 x 1	194210-13960	2	2			Z	[4]	
27- 67	O-RING 22-P	24311-000220	2	2	10		Z	[4]	
27- 68	SHIM 22 x 34 x 0.5	194210-13970	2	2	10		Z	[4]	
27- 69	OIL SEAL TC40 62 12 6	1A1040-28810	2	2	10				

Fig. 27 FRONT AXLE INTERIOR (YM155D, YM135D)

M E M O

Refer. No.	Description	Part No.	Q'ty/Unit			Sales Unit	Inter-change ability	Design-change Mark	Remarks
			YM155	YM155D	YM135				
27- 70	SEAL RING 35 x 42 x 17	194210-14400		2	2			Misprint	
27- 71	LINER 30 x 42 x 2	194210-14410		2	2				
27- 72	BEVEL GEAR 27	194210-14420		2	2				
	BEVEL GEAR 20	194341-14420		2	2		S [4]		
27- 73	BALL BEARING 6305	24101-063054		2	2		Z [4]		
27- 74	BALL BEARING 6306	24101-063064		2	2				
	BALL BEARING 6306	24101-063064		4	4		K [4]		
27- 75	GEAR 38, spiral ring	194200-32100		1	1				
27- 76	COLLAR 25 x 34 x 70.67	194341-13970		2	2		W [4]		
27- 77	COLLAR 30 x 38 x 13.5	194341-14430		2	2		W [4]		
27- 78	BALL BEARING 6205	24101-062054		2	2		W [4]		
	BALL BEARING 6205	24101-062050		2	2		N		
27- 79	COLLAR 30.5 x 45 x 9.5	194341-14480		2	2		W [4]		
27- 80	LINER 25.5 x 32 x 1	194341-14210		2	2 10		W [4]		
27- 81	BALL BEARING 62050	24102-062054		2	2		W [4]		
27- 82	OIL SEAL, TC25 x 45 x 8	194341-14340		2	2 10		W [4]		
27- 83	SHIM 30 x 40 x 0.1	195140-13700		-	- 10		W	Selective	
27- 84	SHIM 30 x 40 x 0.3	195140-13710		-	- 10		W		
27- 85	SHIM 26 x 33 x 0.1	194341-14220		-	- 10		W		
27- 86	SHIM 26 x 33 x 0.3	194341-14240		-	- 10		W		
27- 87	BOLT M8 x 20	26116-080202		4	4 10				
	BOLT M8 x 20	26013-080202		4	4 10		N		

SOUTHERN FARM EQUIPMENT

Fig. 28 STEERING SYSTEM (YM155, YM155D)

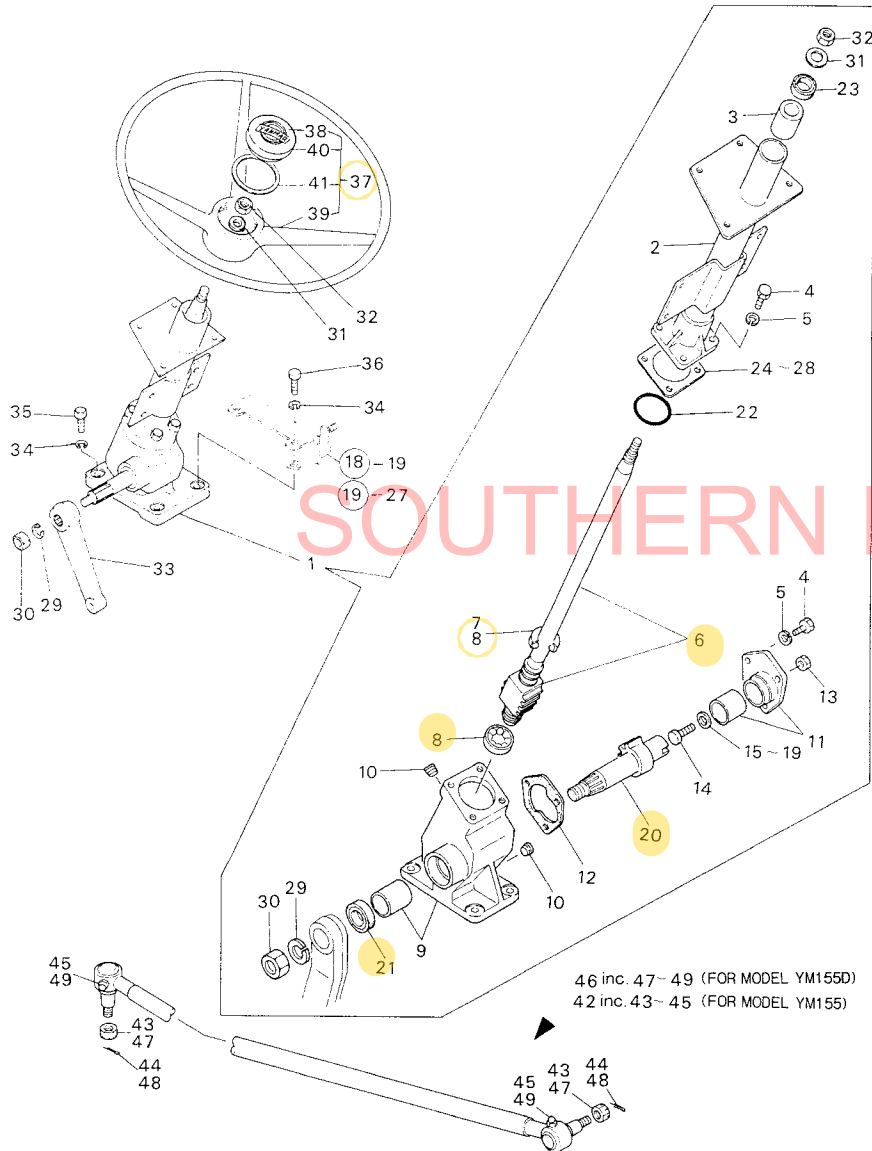


Fig. 28 STEERING SYSTEM (YM155, YM155D)

Refer. No.	Description	Part No.	Qty/Unit				Sales Unit	Interchangeability	Design-Mark	Remarks
			YM155	YM155D	YM135	YM155D				
28- 1	STEERING GEAR ASS'Y	794200-15101-X	1	1						
	STEERING GEAR ASS'Y	794340-15100-X	1	1			N	[4]		
28- 2	.COLUMN	794200-15200-X	1	1						
	.COLUMN	194340-15200-X	1	1			S	[4]		
28- 3	.BUSH, column	194200-15311	1	1						
	.BUSH, column	194340-15310	1	1			S	[4]		
28- 4	.BOLT, MS x 22	26116-080222	8	8		10				
	.BOLT, MS x 22	26116-080222	7	7		10	K	[4]		
28- 5	.SPRING WASHER 8	22217-080000	8	8		10				
	.SPRING WASHER 8	22217-080000	7	7		10	K	[4]		
28- 6	.BALL NUT COMP.	794200-15500	1	1						
	.BALL NUT COMP.	794340-15500	1	1			S	[4]		
28- 7	.BALL BEARING	194200-15410	1	1				Z		
28- 8	.BALL BEARING	194200-15420	1	1						
	.BALL BEARING	194750-15520	2	2			S	[4]		
28- 9	.BODY w/BUSH	794200-15100-X	1	1						
	.BODY w/BUSH	794340-15110-X	1	1			S	[4]		
28- 10	.PLUG	194200-15170	1	1						
	.PLUG	194262-15170-X	2	2			S	[4]		
28- 11	.COVER, side	794200-15150-X	1	1						
	.COVER, side	794340-15150-X	1	1			S	[4]		
28- 12	.PACKING, side cover	194200-15330	1	1						
	.PACKING, side cover	194340-15330	1	1			S	[4]		
28- 13	.NUT M10, P=1.5	26716-100002	1	1		10				
	.NUT M10, P=1.25	26776-100002	1	1		10	S	[4]		
28- 14	.ADJUST SCREW	194200-15470	1	1						
	.ADJUST SCREW	194130-15470	1	1			S	[4]		

Fig. 28 STEERING SYSTEM (YM155,YM155D)

Refer. No.	Description	Part No.	Qty/Unit			Sales Unit	Inter-change ability	Design-change Mark	Remarks	
			YM155	YM155D	YM155					YM155D
28- 15	.SHIM, adjust screw	194200-15420	1	1				Misprint		
	.SHIM, adjust screw	194200-15390	1	1		N				
	.SHIM, adjust screw	194080-15420	1	1		S [4]				
28- 16	.SHIM, adjust screw	194200-15430	1	1						
	.SHIM, adjust screw	194080-15430	1	1		S [4]				
28- 17	.SHIM, adjust screw	194200-15440	1	1						
	.SHIM, adjust screw	194080-15440	1	1		S [4]				
28- 18	.SHIM, adjust screw	194080-15450	1	1			[4]			
28- 19	.SHIM, adjust screw	194080-15460	1	1			[4]			
28- 20	.SHAFT, sector	194200-15140	1	1						
	.SHAFT, sector	194340-15140	1	1		S [4]				
28- 21	.OIL SEAL	194200-15220	1	1						
	.OIL SEAL	194740-55620	1	1		S [4]				
28- 22	.O-RING	194340-15230	1	1		W [4]				
28- 23	.OIL SEAL	194340-15210	1	1		W [4]				
28- 24	.SHIM	194200-15250	1	1						
	.SHIM	194750-15250	1	1		S [4]				
28- 25	.SHIM	194200-15260	1	1						
	.SHIM	194750-15260	1	1		S [4]				
28- 26	.SHIM	194200-15270	1	1						
	.SHIM	194750-15270	1	1		S [4]				
28- 27	.SHIM	194200-15280	1	1						
	.SHIM	194750-15280	1	1		S [4]				
28- 28	.SHIM	194200-15290	1	1						
	.SHIM	194750-15290	1	1		S [4]				
28- 29	.SPRING WASHER 20	22217-200000	1	1	10					
28- 30	.NUT M20	26776-200002	1	1	10					
28- 31	.WASHER 14	22117-140000	1	1	10					
28- 32	.NUT M14	26776-140002	1	1	10					

Fig. 28 STEERING SYSTEM (YM155,YM155D)

Refer. No.	Description	Part No.	Qty/Unit				Sales Unit	Inter-change ability	Design-change Mark	Remarks
			YM155	YM155D	YM155	YM155D				
28- 33	ARM, pitman	194200-15611	1	1						
	ARM, pitman	194340-15610-X	1	1			F [3]		Interchangeable by set with 28-45.	
	ARM, pitman	194341-15610-X		1			F [5]		Interchangeable by set with 28-45.	
28- 34	SPRING WASHER 10	22217-100000	4	4	10					
28- 35	BOLT M10 x 30	26116-100302	2	2	10					
	BOLT M10 x 30	26013-100302	2	2	10	N				
28- 36	BOLT M10 x 40	26116-100402	2	2	10					
	BOLT M10 x 40	26013-100402	2	2	10	N				
28- 37	STEERING WHEEL COMPLETE	794200-15710	1	1						
28- 38	.LABEL, steering wheel	194200-65100	1	1						
	.LABEL, steering wheel	194345-65100	1	1		N			YM155 -T/#52260 YM155D-T/#57524	
28- 39	STEERING WHEEL	194200-15730	1	1						
28- 40	.CAP, steering wheel	194200-15740	1	1						
28- 41	.PACKING, wheel cap	194200-15750	1	1						
28- 42	DRAG-ROD	194200-16111	1							
	DRAG-ROD	194200-16111-X	1			N				
	DRAG-ROD	194340-16110-X	1			F [3]			Interchangeable by set with 23-34.	
28- 43	.CASTLE NUT M11	194730-57241	2		10					
28- 44	.COTTER PIN 3 x 25	22417-300250	2		10					
28- 45	.GREASE NIPPLE 1/4	194730-57411	2		10					
	.GREASE NIPPLE MT6x1	24761-060000	2		10	N				
28- 46	DRAG-ROD	194200-16111	1							
	DRAG-ROD	194200-16111-X	1			N				
	DRAG-ROD	194340-16110	1			F [3]			Interchangeable by set with 23-34.	
	DRAG-ROD	194341-16110-X	1			F [5]			do.	
28- 47	.CASTLE NUT M11	194730-57241	2		10					
28- 48	.COTTER PIN 3 x 25	22417-300250	2		10					
28- 49	.GREASE NIPPLE 1/4	194730-57411	2		10					
	.GREASE NIPPLE MT6x1	24761-060000	2		10	N				

Fig. 29 STEERING SYSTEM (YM135,YM135D)

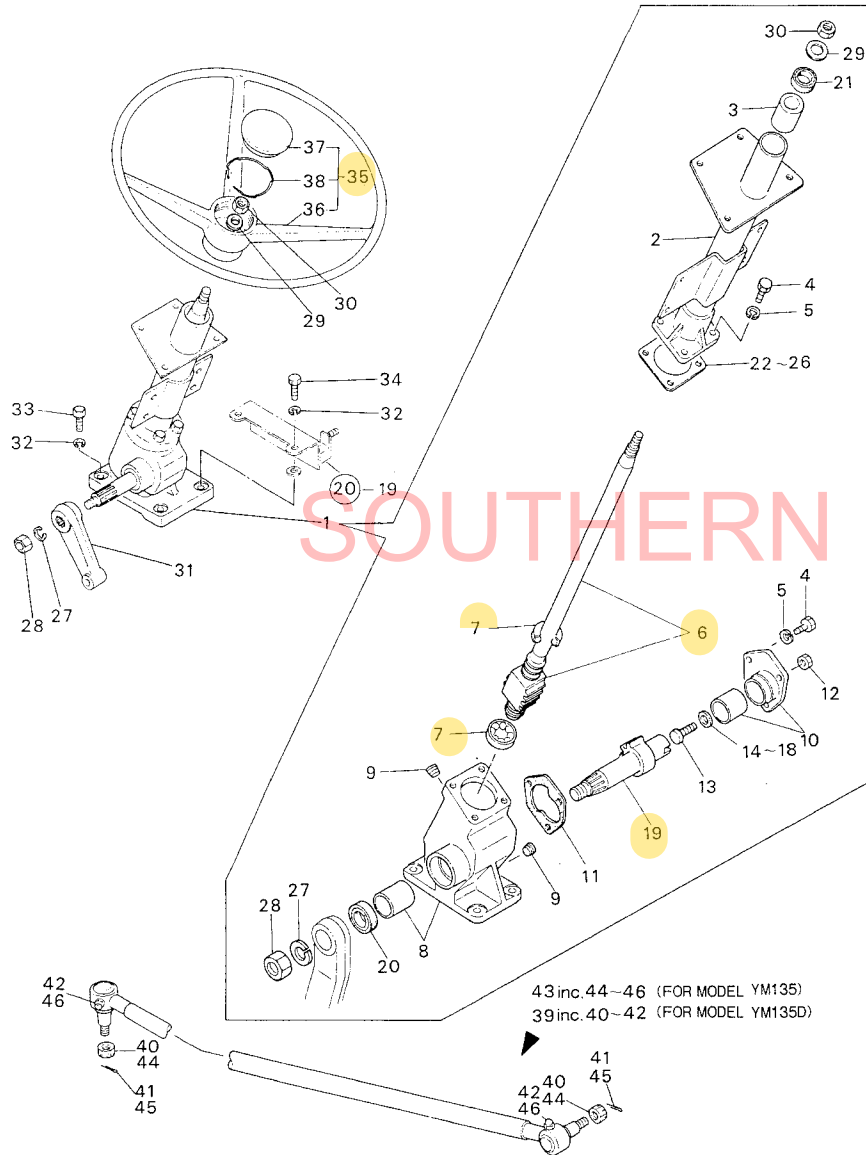


Fig. 29 STEERING SYSTEM (YM135,YM135D)

Refer. No.	Description	Part No.	Qty/Unit				Sales Unit	Inter-changeability	Design-change Mark	Remarks
			YM135	YM135D	YM135	YM135D				
29- 1	STEERING GEAR ASS'Y	194262-15100-X			1	1				
29- 2	.COLUMN	194262-15200-X			1	1				
29- 3	.BUSH, column	194262-15310			1	1				
29- 4	.BOLT, M8 x 22	26116-080222			7	7	10			
29- 5	.SPRING WASHER Ø	22217-080000			7	7	10			
29- 6	.BALL NUT COMP.	794262-15500			1	1				
29- 7	.BALL BEARING	194262-15520			2	2				
29- 8	.BODY w/BUSH	794262-15110-X			1	1				
29- 9	.PLUG	194262-15170			2	2				
29- 10	.COVER, side	194262-15150-X			1	1				
29- 11	.PACKING, side cover	194262-15330			1	1				
29- 12	.NUT M8, P=1.25	26756-080002			1	1	10			
29- 13	.ADJUST SCREW	194262-15470			1	1				
29- 14	.SHIM, adjust screw	194262-15420			1	1				
29- 15	.SHIM, adjust screw	194262-15430			1	1				
29- 16	.SHIM, adjust screw	194262-15440			1	1				
29- 17	.SHIM, adjust screw	194262-15450			1	1				
29- 18	.SHIM, adjust screw	194262-15460			1	1				
29- 19	.SHAFT, sector	194262-15140 15410			1	1				Misprint
29- 20	.OIL SEAL	194262-15220			1	1				
29- 21	.OIL SEAL	194262-15210			1	1				
29- 22	.SHIM	194750-15250			1	1				
29- 23	.SHIM	194750-15260			1	1				
29- 24	.SHIM	194750-15270			1	1				
29- 25	.SHIM	194750-15280			1	1				
29- 26	.SHIM	194750-15290			1	1		w	[4]	Selective

Fig. 29 STEERING SYSTEM (YM135, YM135D)

M E M O

Refer. No.	Description	Part No.	Q'ty/Unit			Sales Unit	Inter-change ability	Design-change Mark	Remarks
			YM155	YM155D	YM135				
29- 27	.SPRING WASHER 16	22217-160000		1	1	10			
29- 28	.NUT M16	26776-160002		1	1	10			
29- 29	.WASHER 12	22222-120000		1	1	10			
29- 30	.NUT M12	26776-120002		1	1	10			
29- 31	ARM, pitman	194262-15610-X		1	1				
	ARM, pitman	194262-15611-X		1			N	{1}	
	ARM, pitman	194391-15610-X			1		F	{4}	Interchangeable by set with 29-45.
29- 32	SPRING WASHER 10	22217-100000		4	4	10			
29- 33	BOLT M10 x 30	26116-100302		2	2	10			
29- 34	BOLT M10 x 40	26116-100402		2	2	10			
29- 35	STEERING WHEEL COMPLETE	794262-15710		1	1				
29- 36	.STEERING WHEEL	194262-15730		1	1				
29- 37	.CAP, steering wheel	194262-15740		1	1				
29- 38	.LOCKING, spring retainer	194262-15750		1	1				
29- 39	DRAG-ROD	194262-16110			1				
	DRAG-ROD	194262-16110-X			1		N		
29- 40	.CASTLE NUT M11	194730-57241			2	10			
29- 41	.COTTER PIN 3 x 25	22417-300250			2	10			
29- 42	.GREASE NIPPLE 1/4	194730-57411			2	10			
	.GREASE NIPPLE MT6x1	24761-060000			2	10	N		
29- 43	DRAG-ROD	194200-16111			1				
	DRAG-ROD	194200-16111-X			1		N		
	DRAG-ROD	194340-16110-X			1		F	{4}	
29- 44	.CASTLE NUT M11	194730-57241			2	10			
29- 45	.COTTER PIN 3 x 25	22417-300250			2	10			
29- 46	.GREASE NIPPLE 1/4	194730-57411			2	10			
	.GREASE NIPPLE MT6x1	24761-060000			2	10	N		

SOUTHERN FARM EQUIPMENT

Fig. 30 CLUTCH (EXCEPT FRANCE & PORTUGAL) [YM155,YM155D]

Fig. 30 CLUTCH (EXCEPT FRANCE & PORTUGAL) [YM155,YM155D]

Refer. No.	Description	Part No.	Q'ty/Unit				Sales Unit	Inter-change ability	Design-change Mark	Remarks
			YM155	YM155D	YM135	YM135D				
30- 15	.LABEL, handling instruction	194340-65200		1				Z		
30- 16	.LABEL, caution	194240-65720		1				W [3]		
	.LABEL, caution	194240-65720		1				Z		
30- 17	.LABEL, tractor No.	*		1				W	YM155D from No. 52536	
	.LABEL, tractor No.	*		1				Z		
30- 18	.SCREW 4 x 10, tapping	22857-400100		2				W		
30- 19	BEARING SLEEVE ASS'Y	794200-22050	1	1				W [3]		
30- 20	.BEARING SLEEVE	194200-22150	1	1			*	Z		
	.BEARING SLEEVE	*	1	1			*	F [3]	Not Sold Separately. (194200-22150)	
30- 21	.METAL 22 x 25 x 20	194200-22170	1	1				Z		
	.METAL 22.4 x 28 x 22.4	*	2	2			*	F&K [3]	Not Sold Separately. (194150-22160)	
	.METAL 22.4 x 28 x 22.4	*	2	2			*	N	Not Sold Separately. (194150-22160) YM155 - from No. 51264 YM155D - from No. 51968	
30- 22	.FELT, clutch release	194200-22190	1	1			*	Z		
	.FELT, clutch release	*	2	2			*	F&K [3]	Not Sold Separately. (194200-22191)	
30- 23	CLUTCH RELEASE SHAFT ASS'Y	794340-22100	1	1				W [3]		
30- 24	.FORK, clutch shift	194200-22310	1	1				Z		
	.FORK, clutch shift	*	1	1			*	F [3]	Not Sold Separately. (194200-22311)	
30- 25	.SHAFT, clutch release	194340-22330	1	1			*	Z		
	.SHAFT, clutch release	*	1	1			*	F [3]	Not Sold Separately. (194340-22331)	
30- 26	PIN 8 x 17.5	194200-37800	2	2						
30- 27	WASHER 8, plain	22117-080000	2	2		10				
30- 28	COTTER PIN 2 x 15	22417-200150	2	2		10				
30- 29	BOLT M8 x 16	26116-080162	6	6		10				
	BOLT M8 x 16	26013-080162	6	6		10	N			
30- 30	BOLT M8 x 20	26116-080202	1	1		10				
	BOLT M8 x 20	26013-080162	1	1		10	N			
30- 31	SPRING WASHER 8	22217-080000	7	7		10		Z		

Refer. No.	Description	Part No.	Q'ty/Unit				Sales Unit	Inter-change ability	Design-change Mark	Remarks
			YM155	YM155D	YM135	YM135D				
30- 32	BOLT M6 x 10	26116-060102	2	1			10			
	BOLT M6 x 10	26116-060102	1					K [5]		
30- 33	WASHER 6, plain	22117-060000	2	1			10			
	WASHER 6, plain	22117-060000	1					K [5]		
30- 34	NUT M12	26716-120002	7	7			10			
30- 35	SPRING WASHER 12	22217-120000	7	7			10			
30- 36	NUT M10	26736-100002	2	2			10			
	NUT M10	26716-100002	2	2				S	YM155 -T/#52028 YM155D-T/#56405	
30- 37	SPRING WASHER 10	22217-100000	2	2						
30- 38	CLUTCH DISK ASS'Y	794200-21400	1	1						
	CLUTCH DISK ASS'Y	194340-21400	1	1				N [5]		
	CLUTCH DISK ASS'Y	194340-21410	1	1				N	YM155 -T/#52182 YM155D-T/#57428	
30- 39	PRESSURE PLATE ASS'Y	794200-21700	1	1						
	PRESSURE PLATE ASS'Y	194340-21700	1	1				N [5]		
30- 40	BOLT M8 x 20	26116-080202	6	6			10			
	BOLT M8 x 20	26013-080202	6	6			10	N		
30- 41	SPRING WASHER 8	22217-080000	6	6			10			
30- 42	SHAFT, main driving 22dx442L	194200-22110	1	1						
30- 43	BEARING, clutch release	194200-22180	1	1						
30- 44	SPRING PIN .5 x 28	22351-050028	1	1			10			
	SPRING PIN 5 x 28	22351-050028	2	2			10	K [3]		
30- 45	SPRING PIN 3 x 28	22351-030028	1	1			10			
	SPRING PIN 3 x 28	22351-03028	2	2			10	K [3]		
30- 46	O-RING 14-P	24311-000140	2	2			10			
30- 47	WASHER 14, plain	22117-140000	1	1			10			
30- 48	COTTER PIN 3 x 25	22417-300250	1	1			10			
30- 49	CLUTCH PEDAL	194200-22410	1	1						
30- 50	SPRING, brake pedal return	194200-37510	1	1						
30- 51	ROD, clutch	194200-22460	1	1						
	ROD, clutch	194340-22460	1	1				N [5]		
30- 52	JOINT (B), clutch rod	194200-22490	1	1						

Fig. 30 CLUTCH (EXCEPT FRANCE & PORTUGAL) [YM155, YM155D]

M E M O

Refer. No.	Description	Part No.	Qty/Unit			Sales Unit	Inter-change ability	Design-change Mark	Remarks
			YM155	YM155D	YM155				
30- 53	LOCK NUT M10	26756-100002	1	1		10			
30- 54	WIRE 0.9 x 140	194200-22380	2	2			w		
30- 55	CAP 20, rubber	194300-21450	1	1			w	[5]	
30- 56	SPRING PIN 8x16	22351-080016	2	2		10	w		
30- 57	SPRING WASHER 8	194200-37390	1	1			w		
30- 58	PLATE, lock	194340-62810	1	1			w		
30- 59	BOLT M 8x 20	26116-080202	1	1		10	w		
30- 60	U-NUT M 8	26346-080002	1	1		10	w		

SOUTHERN FARM EQUIPMENT

Fig. 31 CLUTCH (FRANCE & PORTUGAL) [YM155,YM155D]

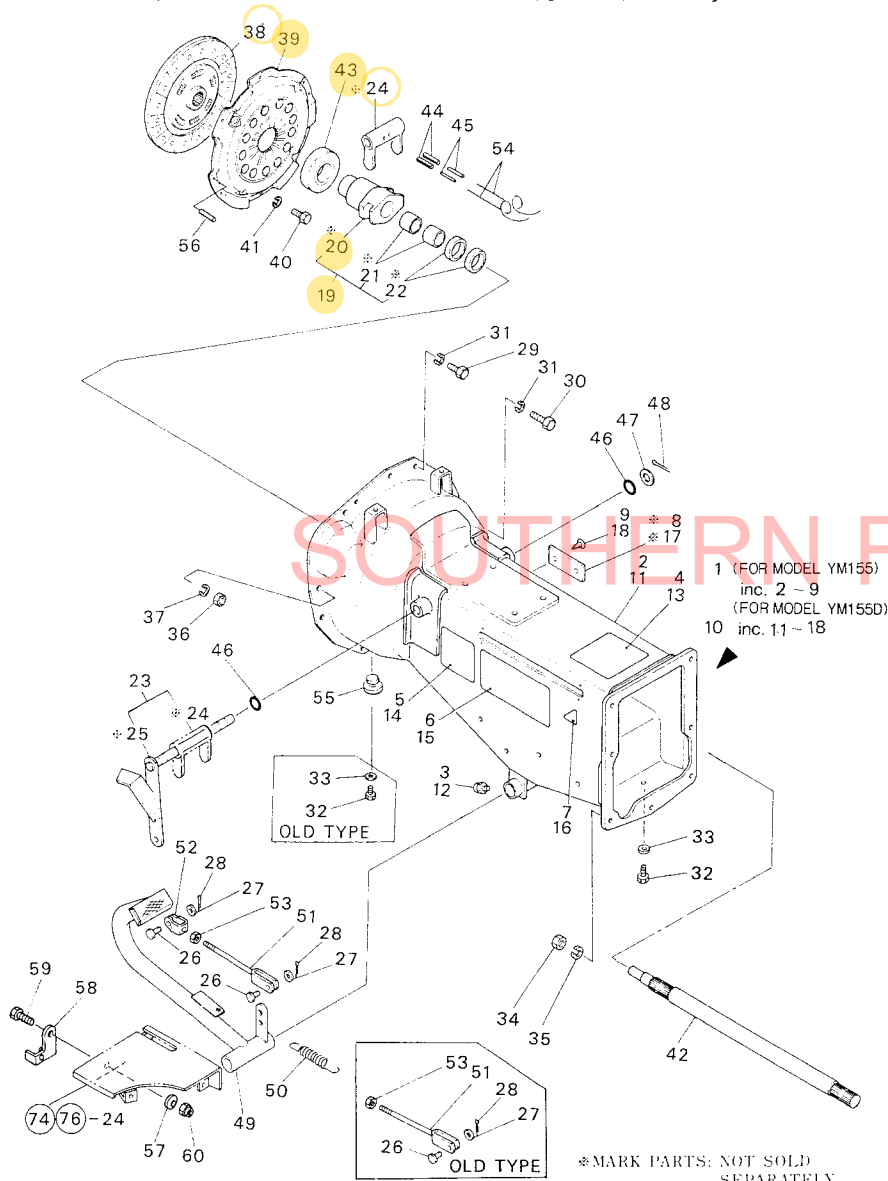


Fig. 31 CLUTCH (FRANCE & PORTUGAL) [YM155,YM155D]

Refer. No.	Description	Part No.	Qty/Unit				Interchangeability	Design Change Mark	Remarks
			YM155	YM155D	YM155	YM155D			
31- 1	HOUSING ASS'Y, clutch	794340-21000-X	1						
	HOUSING ASS'Y, clutch	794340-21001-X	1				F	[5]	
31- 2	.HOUSING, complete, clutch	194200-21102-X	1				F	[5]	
	.HOUSING, complete, clutch	194200-21003-X	1				F	[5]	
	.HOUSING, complete, clutch	194340-21110-X	1				N		
31- 3	.GREASE NIPPLE A-M6F	24751-010000	1				N		
	.GREASE NIPPLE A-PT6F	24764-010000	1				N		
31- 4	.LABEL, tractor model	194340-65151	1				N	YM155 from No. 51375	
	.LABEL, tractor model	194340-65152	1				Z		
	.LABEL, tractor model	194340-65152	1				Z		
31- 5	.LABEL, tractor oiling instruction	194340-65320	1				Z		
31- 6	.LABEL, handling instruction	194340-65200	1				Z		
31- 7	.LABEL, caution	194240-65720	1				Z	[3]	
	.LABEL, caution	194240-65720	1				W		
31- 8	.LABEL, tractor No.	*	1				W		
	.LABEL, tractor No.	*	1				Z		
31- 9	.SCREW 4 x 10, tapping	22857-400100	2				W		
31- 10	HOUSING ASS'Y, clutch	794241-21000	1				N	[1]	
	HOUSING ASS'Y, clutch	794341-21000-X	1				F	[5]	
	HOUSING ASS'Y, clutch	794341-21001-X	1				F	[5]	
31- 11	.HOUSING, complete, clutch	194210-21103-X	1				F	[5]	
	.HOUSING, complete, clutch	194210-21104-X	1				F	[5]	
	.HOUSING, complete, clutch	194341-21110	1				F	[5]	
31- 12	.GREASE NIPPLE A-M6F	24761-010000	1				N		
	.GREASE NIPPLE A-PT6F	24764-010000	1				N		
31- 13	.LABEL, tractor model	194341-65151	1				N	YM155D from No. 52536	
	.LABEL, tractor model	194341-65152	1				Z		
	.LABEL, tractor model	194341-65152	1				Z		
31- 14	.LABEL, tractor oiling instruction	194341-65320	1				Z		

Fig. 31 CLUTCH (FRANCE & PORTUGAL) [YM155, YM155D]

Refer. No.	Description	Part No.	Qty/Unit				Sales Unit	Inter-change ability	Design-change Mark	Remarks
			YM155	YM155D	YM135	YM135D				
31- 15	.LABEL, handling instruction	194340-65200	1					Z		
31- 16	.LABEL, caution	194240-65720	1					Z		
31- 17	.LABEL, tractor No.	*	1					W	YM155D from No. 52536	
	.LABEL, tractor No.	*	1					Z		
31- 18	.SCREW 4 x 10, tapping	22857-400100	2					Z		
31- 19	BEARING SLEEVE ASS'Y	794200-22050	1	1				W	[3]	
31- 20	.BEARING SLEEVE	194200-22150	1	1			*	Z		
	.BEARING SLEEVE	*	1	1			*	F	[3] Not Sold Separately. (194200-22151)	
31- 21	.METAL 22 x 25 x 20	194200-22170	1	1				Z		
	.METAL 22.4 x 28 x 22.4	*	2	2			*	F&K	[3] Not Sold Separately.	
	.METAL 22.4 x 28 22.4	*	2	2			*	N	Not Sold Separately. (194150-22160) YM155 - from No. 51264 YM155D - from No. 51968	
31- 22	.FELT, clutch release	194200-22190	1	1			*	Z		
	.FELT, clutch release	*	2	2			*	F&K	[3] Not Sold Separately. (194200-22191)	
31- 23	CLUTCH RELEASE SHAFT ASS'Y	794340-22100	1	1				W	[3]	
31- 24	.FORK, clutch shift	194200-22310	1	1				Z		
	.FORK, clutch shift	*	1	1			*	F	[3] Not Sold Separately. (194200-22311)	
31- 25	.SHAFT, clutch release	194340-22330	1	1			*	Z		
	.SHAFT, clutch release	*	1	1			*	F	[3] Not Sold Separately. (194340-22331)	
31- 26	PIN 8 x 17.5	194200-37800	2	2						
31- 27	WASHER 8, plain	22117-080000	2	2			10			
31- 28	COTTER PIN 2 x 15	22417-200150	2	2			10			
31- 29	BOLT M8 x 16	26116-080162	6	6			10			
	BOLT M8 x 16	26013-080162	6	6			10	N		
31- 30	BOLT M8 x 20	26116-080202	1	1			10			
	BOLT M8 x 20	26013-080162	1	1			10	N		
31- 31	SPRING WASHER 8	22217-080000	7	7				Z		

Fig. 31 CLUTCH (FRANCE & PORTUGAL) [YM155, YM155D]

Refer. No.	Description	Part No.	Qty/Unit				Sales Unit	Inter-change ability	Design-change Mark	Remarks
			YM155	YM155D	YM135	YM135D				
31- 32	BOLT M6 x 10	26116-060102	2	1			10			
	BOLT M6 x 10	26116-060102	1				10	K	[5]	
31- 33	WASHER 6, plain	22117-060000	2	1			10			
	WASHER 6, plain	22117-060000	1				10	K	[5]	
31- 34	NUT M12	26716-120002	7	7			10			
31- 35	SPRING WASHER 12	22217-120000	7	7			10			
31- 36	NUT M10	26736-100002	2	2			10			
	NUT M10	26716-100002	2	2				S	YM155-52028 YM155D-56405	
31- 37	SPRING WASHER 10	22217-100000	2	2						
31- 38	CLUTCH DISK ASS'Y	794200-21400	1	1						
	CLUTCH DISK ASS'Y	194262-21400						N	[1]	
	CLUTCH DISK ASS'Y	194340-21400	1	1				N	[5]	
	CLUTCH DISK ASS'Y	194340-21410	1	1				N	YM155-52182 YM155D-57428	
31- 39	PRESSURE PLATE ASS'Y	794200-21700	1	1						
	PRESSURE PLATE ASS'Y	194340-21700	1	1				N	[5]	
31- 40	BOLT M8 x 20	26116-080202	6	6			10			
	BOLT M8 x 20	26013-080202	6	6			10	N		
31- 41	SPRING WASHER 8	22217-080000	6	6				Z		
31- 42	SHAFT, main driving 22d x 44L	194200-22110	1	1						
31- 43	BEARING, clutch release	194200-22180	1	1						
31- 44	SPRING PIN 5 x 28	22351-050028	1	1			10			
	SPRING PIN 5 x 28	22351-050028	2	2			10	K	[3]	
31- 45	SPRING PIN 3 x 28	22351-030028	1	1			10			
	SPRING PIN 3 x 28	22351-03028	2	2			10	K	[3]	
31- 46	O-RING 14-P	24311-000140	2	2			10			
31- 47	WASHER 14, plain	22117-140000	1	1			10			
31- 48	COTTER PIN 3 x 25	22417-300250	1	1			10			

Fig. 31 CLUTCH (FRANCE & PORTUGAL) [YM155, YM155D]

M E M O

Refer. No.	Description	Part No.	Q'ty/Unit				Sales Unit	Inter-change ability	Design-change Mark	Remarks
			YM155	YM155D	YM135	YM135D				
31- 49	CLUTCH PEDAL	194200-22410	1	1						
31- 50	SPRING, brake pedal return	194200-37510	1	1						
31- 51	ROD, clutch	194200-22460	1	1						
	ROD, clutch	194340-22460	1	1			N	[5]		
31- 52	JOINT (B), clutch rod	194200-22490	1	1						
31- 53	LOCK NUT M10	26756-100002	2	2		10				
31- 54	WIRE 0.9 x 140	194200-22380	2	2			W			
31- 55	CAP 20, rubber	194300-21450	1	1			W	[5]		
31- 56	SPRING PIN 8x16	22351-080016	2	2		10	W			
31- 57	SPRING WASHER 8	194200-37390	1	1			W			
31- 58	PLATE, lock	194340-62810	1	1			W			
31- 59	BOLT M 8x 20	26116-080202	1	1		10	W			
31- 60	U-NUT M 8	26346-080002	1	1		10	W			

SOUTHERN FARM EQUIPMENT

Fig. 32 CLUTCH (U.S.A.) [YM135,YM135D]

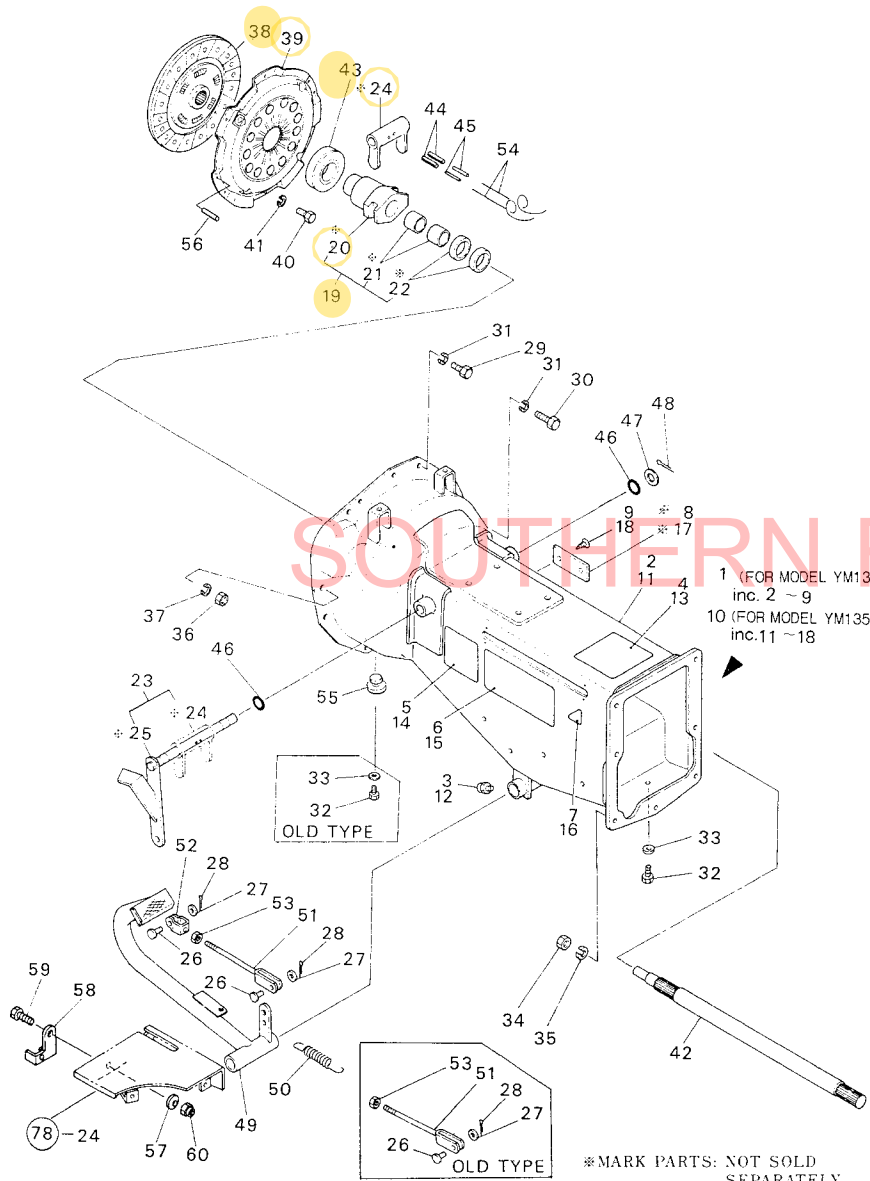


Fig. 32 CLUTCH (U.S.A.) [YM135,YM135D]

Refer. No.	Description	Part No.	Qty/Unit			Interchangeability	Design-change Mark	Remarks
			YM135	YM135D	YMI35D			
32- 1	HOUSING ASS'Y, clutch	794390-21000-X		1				
	HOUSING ASS'Y, clutch	794390-21001-X		1		F	[5]	
32- 2	.HOUSING, complete, clutch	194200-21102-X		1				
	.HOUSING, complete clutch	194200-21003-X		1		F	[5]	
32- 3	.GREASE NIPPLE A-M6F	24761-010000		1				
	.GREASE NIPPLE A-PT6F	24764-010000		1		N		
32- 4	.LABEL, tractor model	194390-65150		1				
	.LABEL, tractor model	194340-65152		1		N		YM135 from No. 51173
	.LABEL, tractor model	194340-65152		1		Z		
32- 5	.LABEL, tractor oiling instruction	194340-65320		1		Z		
32- 6	.LABEL, handling instruction	194390-65200		1		Z		
32- 7	.LABEL, caution	194240-65720		1		W	[3]	
	.LABEL, caution	194240-65720		1		Z		
32- 8	.LABEL, tractor No.	*		1		W		YM135 - from No. 51173 YM135D - from No. 51209
	.LABEL, tractor No.	*		1		Z		
32- 9	.SCREW 4 x 10, tapping	22857-400100		2		W		
	.SCREW 4 x 10, tapping	22857-400100		2		Z		
32- 10	HOUSING ASS'Y, clutch	794391-21000-X		1				
	HOUSING ASS'Y, clutch	794391-21001-X		1		F	[5]	Interchangeable by set with 32-55.
32- 11	.HOUSING, complete, clutch	194210-21103-X		1				
	.HOUSING, complete, clutch	194210-21104-X		1		F	[5]	
32- 12	.GREASE NIPPLE A-M6F	24761-010000		1				
	.GREASE NIPPLE A-PT6F	24764-010000		1		N		
32- 13	.LABEL, tractor model	194391-65150		1				
	.LABEL, tractor model	194341-65152		1		N		YM135D from No. 51209
	.LABEL, tractor model	194341-65152		1		Z		
32- 14	.LABEL, tractor oiling instruction	194341-65320		1		Z		

Fig. 32 CLUTCH (U.S.A.) [YM135, YM135D]

Refer. No.	Description	Part No.	Q'ty/Unit			Sales Unit	Inter-change ability	Design-change Mark	Remarks
			YM155	YM155D	YM135				
32- 15	.LABEL, handling instruction	194390-65200			1		Z		
32- 16	.LABEL, caution	194240-65720			1		Z		
32- 17	.LABEL, tractor No.	*			1		W	YM135D from No. 51209	
	.LABEL, tractor No.	*			1		Z		
32- 18	.SCREW 4 x 10, tapping	22857-400100			2		Z		
32- 19	BEARING SLEEVE ASS'Y	794200-22050			1		W	[2]	
	BEARING SLEEVE ASS'Y	794200-22050			1		W	[3]	
32- 20	.BEARING SLEEVE	194200-22150			1	*	Z		
	.BEARING SLEEVE	*			1	*	F	[3] Not Sold Separately. (194200-22151)	
32- 21	.METAL 22 x 25 x 20	194200-22170			1		Z		
	.METAL 22.4 x 28 x 22.4	*			2	*	F&K	[3] Not Sold Separately. (194150-22160)	
	.METAL 22.4 x 28 22.4	*			2	*	N	YM135 from No. 51142 YM135D from No. 51154	
32- 22	.FELT, clutch release	194200-22190			1	*	Z		
	.FELT, clutch release	*			2	*	F&K	[2] Not Sold Separately.	
	.FELT, clutch release	*			2	*	F&K	[3] Not Sold Separately. (194200-22191)	
32- 23	CLUTCH RELEASE SHAFT ASS'Y	794340-22100			1		W	[3]	
32- 24	.FORK, clutch shift	194200-22310			1		Z		
	.FORK, clutch shift	*			1	*	F	[3] Not Sold Separately. (194200-22311)	
32- 25	.SHAFT, clutch release	194340-22330			1	*	Z		
	.SHAFT, clutch release	*			1	*	F	[3] Not Sold Separately.	
32- 26	PIN 8 x 17.5	194200-37800			2				
32- 27	WASHER 8, plain	22117-080000			2		10		
32- 28	COTTER PIN 2 x 15	22417-200150			2		10		
32- 29	BOLT M8 x 16	26116-080162			6		6	10	
	BOLT M8 x 16	26013-080162			6		6	10	N
32- 30	BOLT M8 x 20	26116-080202			1		1	10	
	BOLT M8 x 20	26013-080162			1		1	10	N
32- 31	SPRING WASHER 8	22217-080000			7		7		Z

Fig. 32 CLUTCH (U.S.A.) [YM135, YM135D]

Refer. No.	Description	Part No.	Q'ty/Unit				Sales Unit	Inter-change ability	Design-change Mark	Remarks
			YM155	YM155D	YM135	YM135D				
32- 32	BOLT M6 x 10	26116-060102			2		1	10		
	BOLT M6 x 10	26116-060102			1				K	[5]
32- 33	WASHER 6, plain	22117-060000			2		1	10		
	WASHER 6, plain	22117-060000			1				K	[5]
32- 34	NUT M12	26716-120002			7		7	10		
32- 35	SPRING WASHER 12	22217-120000			7		7	10		
32- 36	NUT M10	26736-100002			2		2	10		
	NUT M10	26716-100002			2		2		S	YM135 from No. 52028 YM135D from No. 56405
32- 37	SPRING WASHER 10	22217-100000			2		2			
32- 38	CLUTCH DISK ASS'Y	794200-21400			1		1			
	CLUTCH DISK ASS'Y	194262-21400			1		1		N	[1]
	CLUTCH DISK ASS'Y	194340-21410			1		1		N	YM135 from No. 52182 YM135D from No. 57428
32- 39	PRESSURE PLATE ASS'Y	794200-21700			1		1			
	PRESSURE PLATE ASS'Y	194262-21700			1		1		N	[1]
	PRESSURE PLATE ASS'Y	194340-21700			1		1		N	[5]
32- 40	BOLT M8 x 20	26116-080202			6		6	10		
	BOLT M8 x 20	26013-080202			6		6	10	N	
32- 41	SPRING WASHER 8	22217-080000			6		6		Z	
32- 42	SHAFT, main driving 22dx442L	194200-22110			1		1			
32- 43	BEARING, clutch release	194200-22180			1		1			
32- 44	SPRING PIN 5 x 28	22351-050028			1		1	10		
	SPRING PIN 5 x 28	22351-050028			2		2	10	K	[3]
32- 45	SPRING PIN 3 x 28	22351-030028			1		1	10		
	SPRING PIN 3 x 28	22351-03028			2		2	10	K	[3]
32- 46	O-RING 14-P	24311-000140			2		2	10		
32- 47	WASHER 14, plain	22117-140000			1		1	10		
32- 48	COTTER PIN 3 x 25	22417-300250			1		1	10		

Fig. 32 CLUTCH (U.S.A.) [YM135,YM135D]

M E M O

Refer. No.	Description	Part No.	Q's/Unit				Sales Unit	Inter-change ability	Design-change Mark	Remarks
			YM155	YM155D	YM135	YM135D				
32- 49	CLUTCH PEDAL	194200-22410			1	1				
32- 50	SPRING, brake pedal return	194200-37510			1	1				
32- 51	ROD, clutch	194200-22460			1	1				
32- 52	JOINT (B), clutch rod	194200-22490			1	1				
32- 53	LOCK NUT M10	26756-100002			1	1				
32- 54	WIRE 0.9 x 140	194200-22380			2	2				
32- 55	CAP 20, rubber	194300-21450			1	1				
32- 56	SPRING PIN 8 x 16	22351-080016			2	2	10	W		
32- 57	SPRING WASHER 8	194200-37390			1	1		W		
32- 58	LOCK PLATE	194340-62810			1	1		W		
32- 59	BOLT M8 x 20	26116-080202			1	1	10	W		
32- 60	U-NUT M8	26346-080002			1	1	10	W		

SOUTHERN FARM EQUIPMENT

Fig. 33 CLUTCH (FRANCE) [YM135, YM135D]

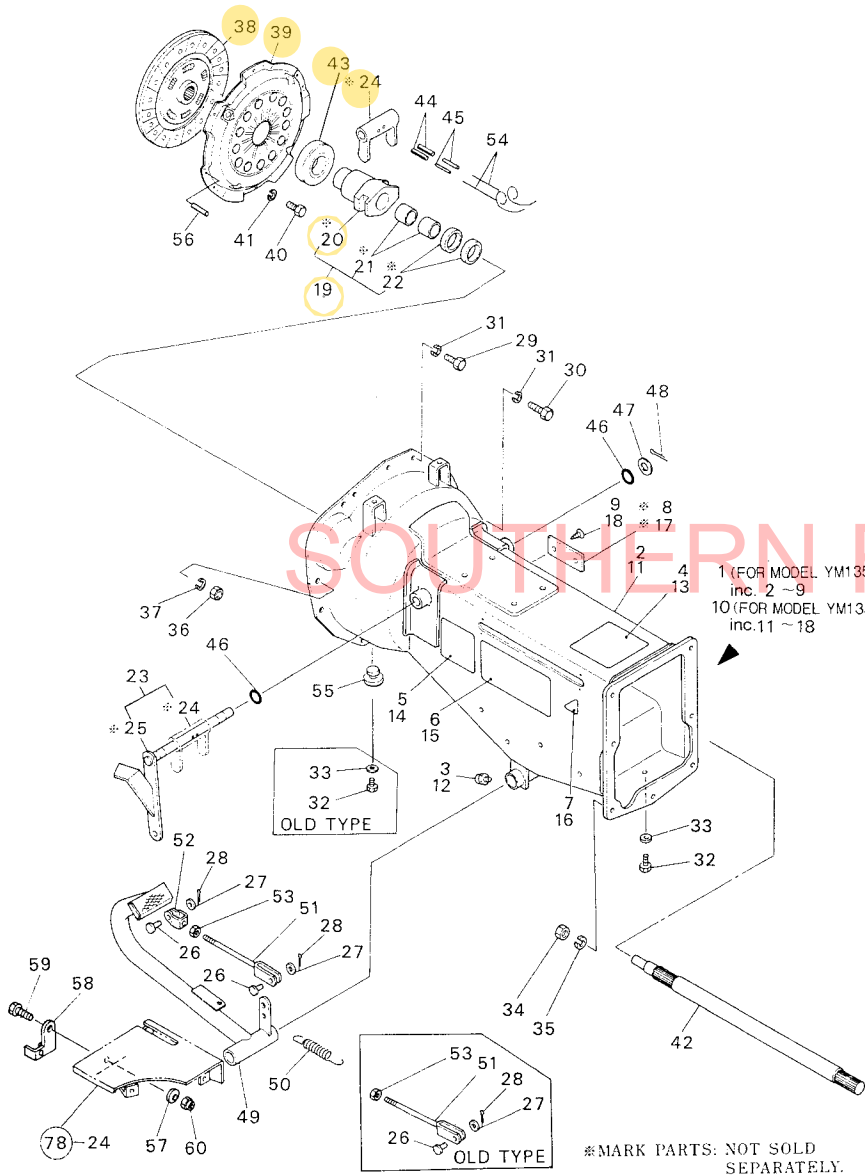


Fig. 33 CLUTCH (FRANCE) [YM135, YM135D]

Refer. No.	Description	Part No.	Qty/Unit			Sales Unit	Interchangeability	Design-change Mark	Remarks
			YM135	YM135D	YM135				
33- 1	HOUSING ASS'Y, clutch	794390-21000-X			1				
	HOUSING ASS'Y, clutch	794390-21001-X			1		F	[5]	
33- 2	.HOUSING, complete, clutch	194200-21102-X			1				
	.HOUSING, complete, clutch	194200-21003-X			1		F	[5]	
33- 3	.GREASE NIPPLE A-M6F	24761-010000			1				
	.GREASE NIPPLE A-PT6F	24764-010000			1		N		
33- 4	.LABEL, tractor model	194390-65150			1				
	.LABEL, tractor model	194340-65152			1		N		YM135 from No. 51173
33- 5	.LABEL, tractor oiling instruction	194340-65320			1				
33- 6	.LABEL, handling instruction	194390-65200			1				
33- 7	.LABEL, caution	194240-65720			1		W	[3]	
33- 8	.LABEL, tractor No.	*			1		W		YM135 from No. 51173
33- 9	.SCREW 4 x 10, tapping	22857-400100			2		W		YM135 from No. 51173
33- 10	HOUSING ASS'Y, clutch	794391-21000-X			1				
	HOUSING ASS'Y, clutch	794391-21001-X			1		F	[5]	Interchangeable by set with 33-55.
33- 11	.HOUSING, complete, clutch	194210-21103-X			1				
	.HOUSING, complete, clutch	194210-21104-X			1		F	[5]	
33- 12	.GREASE NIPPLE A-M6F	24761-010000			1				
	.GREASE NIPPLE A-PT6F	24764-010000			1		N		
33- 13	.LABEL, tractor model	194391-65150			1				
	.LABEL, tractor model	194341-65152			1		N		YM135D from No. 51209
33- 14	.LABEL, tractor oiling instruction	194341-65320			1				

Fig. 33 CLUTCH (FRANCE) [YM135,YM135D]

Refer. No.	Description	Part No.	Qty/Unit			Sales Unit	Inter-change ability	Design-change Mark	Remarks
			YM135	YM135D	YM135				
33- 15	.LABEL, handling instruction	194390-65200			1				
33- 16	.LABEL, caution	194240-65720			1		Z		
33- 17	.LABEL, tractor No.	*			1		W	YM135D from No. 51209	
	.LABEL, tractor No.	*			1		Z		
33- 18	.SCREW 4 x 10, tapping	22857-400100			2		Z		
33- 19	BEARING SLEEVE ASS'Y	794200-22050			1		W [2]		
	BEARING SLEEVE ASS'Y	794200-22050		1			W [3]		
33- 20	.BEARING SLEEVE	194200-22150		1	1	*	Z		
	.BEARING SLEEVE	*		1	1	*	F [3]	Not Sold Separately. (194200-22151)	
33- 21	.METAL 22 x 25 x 20	194200-22170		1	1		Z		
	.METAL 22.4 x 28 x 22.4	*		2	2	*	F&K [3]	Not Sold Separately. (194150-22160)	
	.METAL 22.4 x 28 22.4	*		2	2	*	N	Not Sold Separately. (194150-22160)	
33- 22	.FELT, clutch release	194200-22190		1	1	*	Z	YM135 from No. 51142	
	.FELT, clutch release	*		2	*		F&K [2]	Not Sold Separately.	
	.FELT, clutch release	*		2	*		F&K [3]	Not Sold Separately. (194200-22191)	
33- 23	CLUTCH RELEASE SHAFT ASS'Y	794340-22100		1	1		W [3]		
33- 24	.FORK, clutch shift	194200-22310		1	1		Z		
	.FORK, clutch shift	*		1	1	*	F [3]	Not Sold Separately. (194200-22311)	
33- 25	.SHAFT, clutch release	194340-22330		1	1	*	Z		
	.SHAFT, clutch release	*		1	1	*	F [3]	Not Sold Separately.	
33- 26	PIN 8 x 17.5	194200-37800		2	2				
33- 27	WASHER 8, plain	22117-080000		2	2	10			
33- 28	COTTER PIN 2 x 15	22417-200150		2	2	10			

Fig. 33 CLUTCH (FRANCE) [YM135,YM135D]

Refer. No.	Description	Part No.	Qty/Unit			Sales Unit	Inter-change ability	Design-change Mark	Remarks
			YM135	YM135D	YM135				
33- 29	BOLT M8 x 16	26116-080162		6	6	10			
	BOLT M8 x 16	26013-080162		6	6	10	N		
33- 30	BOLT M8 x 20	26116-080202		1	1	10			
	BOLT M8 x 20	26013-080162		1	1	10	N		
33- 31	SPRING WASHER 8	22217-080000		7	7		Z		
33- 32	BOLT M6 x 10	26116-060102		2	1	10			
	BOLT M6 x 10	26116-060102		1			K	[5]	
33- 33	WASHER 6, plain	22117-060000		2	1	10			
	WASHER 6, plain	22117-060000		1			K	[5]	
33- 34	NUT M12	26716-120002		7	7	10			
33- 35	SPRING WASHER 12	22217-120000		7	7	10			
33- 36	NUT M10	26736-100002		2	2	10			
	NUT M10	26716-100002		2	2		S		
33- 37	SPRING WASHER 10	22217-100000		2	2				
33- 38	CLUTCH DISK ASS'Y	794200-21400		1	1				
	CLUTCH DISK ASS'Y	194262-21400		1	1		N	[1]	
	CLUTCH DISK ASS'Y	194340-21410		1	1		N		
33- 39	PRESSURE PLATE ASS'Y	794200-21700		1	1				
	PRESSURE PLATE ASS'Y	194262-21700		1	1		N	[1]	
	PRESSURE PLATE ASS'Y	194340-21700		1	1		N	[5]	
33- 40	BOLT M8 x 20	26116-080202		6	6	10			
	BOLT M8 x 20	26013-080202		6	6	10	N		
33- 41	SPRING WASHER 8	22217-080000		6	6		Z		
33- 42	SHAFT, main driving 22dx442L	194200-22110		1	1				
33- 43	BEARING, clutch release	194200-22180		1	1				
33- 44	SPRING PIN 5 x 28	22351-050028		1	1	10			
	SPRING PIN 5 x 28	22351-050028		2	2	10	K	[3]	
33- 45	SPRING PIN 3 x 28	22351-030028		1	1	10			
	SPRING PIN 3 x 28	22351-03028		2	2	10	K	[3]	

Fig. 33 CLUTCH (FRANCE) [YM135,YM135D]

M E M O

Refer. No.	Description	Part No.	Qty/Unit				Sales Unit	Inter-changeability	Design-change Mark	Remarks
			YM155	YM155D	YM135	YM135D				
33- 46	O-RING 14-P	24311-000140			2	2	10			
33- 47	WASHER 14, plain	22117-140000			1	1	10			
33- 48	COTTER PIN 3 x 25	22417-300250			1	1	10			
33- 49	CLUTCH PEDAL	194200-22410			1	1				
33- 50	SPRING, brake pedal return	194200-37510			1	1				
33- 51	ROD, clutch	194200-22460			1	1				
33- 52	JOINT (B), clutch rod	194200-22490			1	1				
33- 53	LOCK NUT M10	26756-100002			1	1				
33- 54	WIRE 0.9 x 140	194200-22380			2	2				
33- 55	CAP 20, rubber	194300-21450			1	1				
33- 56	SPRING PIN 8 x 16	22351-080016			2	2	10	W		
33- 57	SPRING WASHER 8	194200-37390			1	1		W		
33- 58	LOCK PLATE	194340-62810			1	1		W		
33- 59	BOLT M8 x 20	26116-080202			1	1	10	W		
33- 60	U-NUT M8	26346-080002			1	1	10	W		

SOUTHERN FARM EQUIPMENT

Fig. 34 TRANSMISSION CASE & COVER (EXCEPT ENGLAND)

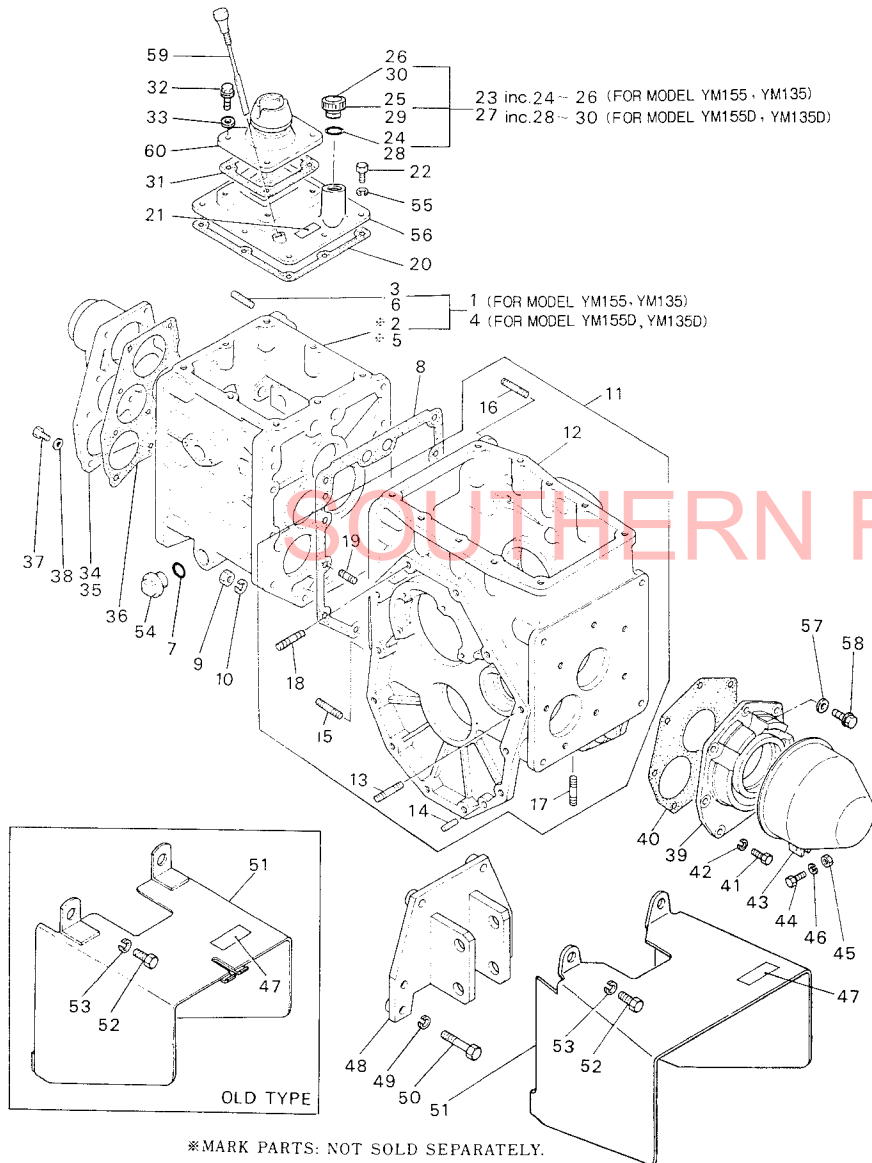


Fig. 34 TRANSMISSION CASE & COVER (EXCEPT ENGLAND)

Refer. No.	Description	Part No.	Q'ty/Unit				Sales Unit	Inter-changeability	Design-change Mark	Remarks
			YM155	YM155D	YM135	YM135D				
34- 1	HOUSING ASS'Y, transmission	794200-24100-X	1	1						
	HOUSING ASS'Y, transmission	794340-24100-X	1	1				N		
34- 2	.HOUSING, transmission	*	1	1						Not Sold Separately.
	.HOUSING, transmission	*	1	1				N		Not Sold Separately. (194340-24110)
34- 3	.STUD M12x 23	194200-24120	7	7			10			
34- 4	HOUSING ASS'Y, transmission	794210-24100-X	1	1						
	HOUSING ASS'Y, transmission	794341-24100-X	1	1				N		
34- 5	.HOUSING, transmission	*	1	1						Not Sold Separately.
	.HOUSING, transmission	*	1	1				N		Not Sold Separately. (194341-24110)
34- 6	.STUD M12 x 23	194200-24120	7	7			10			
34- 7	O-RING 20-P	24311-000200	1	1	1	1	10			
	O-RING 18-P	24311-000180	1	1	1	1	10		S	
34- 8	PACKING, transmission case	194200-24130	1	1	1	1	5			
34- 9	NUT M10	194200-24140	10	10	10	10	10			
34- 10	SPRING WASHER 10	22217-100000	10	10	10	10	10			
34- 11	GEAR HOUSING ASS'Y, final reduction	794340-24150-X	1	1	1	1				
34- 12	.GEAR HOUSING, final reduction	194200-24160	1	1	1	1				
34- 13	.STUD M12 x 64	194200-24180	4	4	4	4	10			
34- 14	.PIN 8 x 28, straight	1A1040-26060	6	6	6	6	10			
34- 15	.STUD M10 x 32	26226-100322	7	7	7	7	10			
34- 16	.STUD M10 x 50	26226-100502	1	1	1	1	10			
34- 17	.STUD M14 x 32	26226-140322	4	4	1	1	10			
34- 18	.STUD M10 x 55	194200-24200	2	2	2	2			W	YM155 from No. 50030 YM155D from No. 50304 YM135 from No. 50002 YM135D from No. 50151

Fig. 34 TRANSMISSION CASE & COVER (EXCEPT ENGLAND)

Refer. No.	Description	Part No.	Qty/Unit				Sales Unit	Inter-change ability	Design-change Mark	Remarks
			YM155	YM155D	YM135	YM135D				
34- 19	STUD M10x 32	194201-24190	2	2	2	2				
34- 20	PACKING, transmission housing upper cover	194200-24360	1	1	1	1	10			
34- 21	LABEL, stop valve	194340-65750	1	1	1	1		Z		
34- 22	BOLT M8 x 16	26116-080162	8	8	8	8	10			
	BOLT M8 x 16	26013-080162	8	8	8	8	10	N		
34- 23	OIL PLUG 30 w/PLATE	794200-24350	1	1			10			
	OIL PLUG 30 w/PLATE	794340-24350	1	1			10	N		
34- 24	.O-RING 30-S	24341-000300	1	1			10			
	.O-RING 28-S	24341-000280	1	1				S		
34- 25	.OIL PLUG 30	194200-24380	1	1						
34- 26	.LABEL, transmission oiling instruction	194200-65300	1	1						
	.LABEL, transmission oiling instruction	194340-65300	1	1				N [3]		
	.LABEL, transmission oiling instruction	194340-65300	1	1				Z		
34- 27	OIL PLUG 30 w/PLATE	794210-24350	1	1			10			
	OIL PLUG 30 w/PLATE	794341-24350	1	1			10	N		
34- 28	.O-RING 30-S	24341-000300	1	1			10			
	.O-RING 28-S	24341-000280	1	1				S		
34- 29	.OIL PLUG 30	194200-24380	1	1						
34- 30	.LABEL, transmission oiling instruction	194210-65300	1	1						
	.LABEL, transmission oiling instruction	194341-65300	1	1				N [3]		
	.LABEL, transmission oiling instruction	194341-65300	1	1				Z		
34- 31	PACKING, transmission housing cover	194200-24220	1	1	1	1	10			
34- 32	BOLT M8 x 20	26116-080202	4	4	4	4	10			
	BOLT M8 x 20	26106-080202	4	4	4	4	10	N		
34- 33	PACKING 8, copper	1A1040-28900	4	4	4	4	10			
	PACKING 8	23414-080000	4	4	4	4	10	N		

Fig. 34 TRANSMISSION CASE & COVER (EXCEPT ENGLAND)

Refer. No.	Description	Part No.	Qty/Unit				Sales Unit	Inter-change ability	Design-change Mark	Remarks
			YM155	YM155D	YM135	YM135D				
34- 34	COVER, transmission housing front	194200-24401	1	1						
34- 35	COVER, transmission housing front	194210-24401		1		1				
34- 36	PACKING, transmission housing front cover	194200-24410	1	1	1	1	10			
34- 37	BOLT M8 x 20	26116-080202	10	10	10	10	10			
	BOLT M8 x 20	26106-080202	10	10	10	10	10	N		
34- 38	PACKING 8	23414-080000	10	10	10	10	10			
34- 39	COVER, transmission housing rear	194200-24450	1	1	1	1				
34- 40	PACKING, transmission housing rear cover	194200-24460	1	1	1	1	10			
34- 41	BOLT M8 x 25	26116-080252	7	7	7	7	10			
	BOLT M8 x 25	26013-080252	6	6	6	6	10	N		
34- 42	SPRING WASHER 8	22217-080000	7	7	7	7	10	Z		
34- 43	COVER, complete, P.T.O. shaft	194200-24270-X	1	1	1	1				
34- 44	BOLT M8 x 20	26116-080202	1	1	1	1	10			
34- 45	NUT M8	26716-080002	1	1	1	1	10			
34- 46	SPRING WASHER 8	22217-080000	1	1	1	1	10			
34- 47	LABEL, P.T.O. cover	194240-65710	1	1	1	1		Z		
34- 48	HINGE, top link	A21550-10010	1	1	1	1				
	HINGE, top link	194340-10010	1	1	1	1		N [4]		
34- 49	SPRING WASHER 12	22217-120000	4	4	4	4	10	Z		
34- 50	BOLT M12 x 45	26116-120452	4	4	4	4	10			
	BOLT M12 x 45	26013-120452	4	4	4	4	10	N		
34- 51	COVER, safety	194340-24510	1	1	1	1				
	COVER, safety	194340-24550-X	1	1	1	1		N		

Fig. 34 TRANSMISSION CASE & COVER (EXCEPT ENGLAND)

Refer. No.	Description	Part No.	Qty/Unit				Sales Unit	Inter-changeability	Design-change Mark	Remarks
			YMI55	YMI55D	YMI35	YMI35D				
34- 52	BOLT M12 x 20	26116-120202	4	4	4	4	10			
	BOLT M12 x 20	26013-120202	4	4	4	4	10	N		
34- 53	SPRING WASHER 12	22217-120000	4	4	4	4	10	Z		
34- 54	OIL PLUG 20	1A1040-28040	1	1	1	1				
34- 55	SPRING WASHER 8	22217-080000	8	8	8	8	10	Z		
34- 56	COVER, transmission housing upper	194200-24300-X	1	1	1	1				
34- 57	PACKING 8	23414-080000	1	1			10			
34- 58	BOLT M 8x 25	26106-080252	1	1			10			
34- 59	DIPSTICK	194200-24250	1	1	1	1				
34- 60	COVER, transmission housing	194200-24210-X	1	1	1	1				

SOUTHERN FARM EQUIPMENT

Fig. 35 TRANSMISSION CASE & COVER (ENGLAND) [YM155, YM155D]

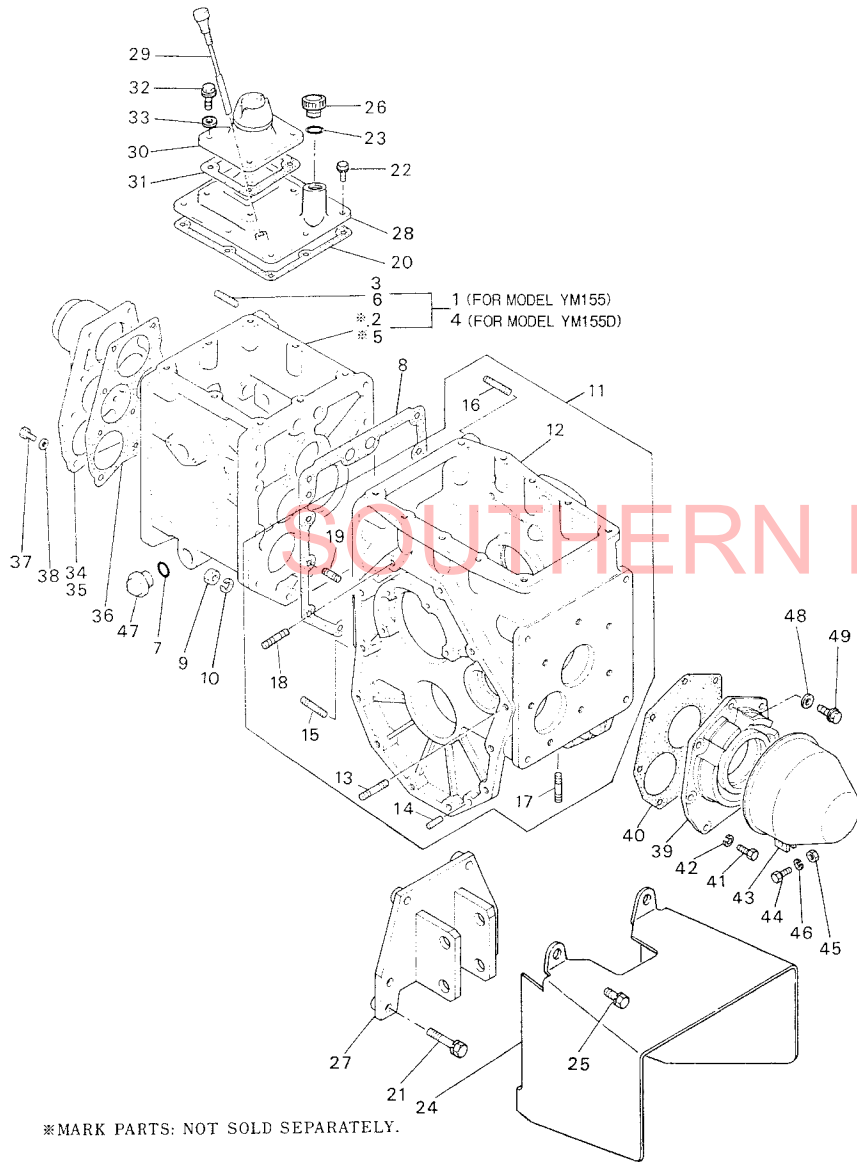


Fig. 35 TRANSMISSION CASE & COVER (ENGLAND) [YM155, YM155D]

Refer. No.	Description	Part No.	Qty/Unit				Inter-changeability	Design-change Mark	Remarks
			YM155	YM155D	YM135	YM135D			
35- 1	HOUSING ASS'Y, transmission	794340-24100-X	1						
35- 2	.HOUSING, transmission	*	1					Not Sold Separately. (194340-24110)	
35- 3	.STUD M12x 23	194200-24120	7			10			
35- 4	HOUSING ASS'Y, transmission	794341-24100-X		1					
35- 5	.HOUSING, transmission	*		1				Not Sold Separately. (194341-24110)	
35- 6	.STUD M12 x 23	194200-24120		7		10			
35- 7	O-RING 18-P	24311-000180	1	1		10			
35- 8	PACKING, transmission case	194200-24130	1	1		5			
35- 9	NUT M10	194200-24140	10	10		10			
35- 10	SPRING WASHER 10	22217-100000	10	10		10			
35- 11	GEAR HOUSING ASS'Y, final reduction	794340-24150-X	1	1					
35- 12	.GEAR HOUSING, final reduction	194200-24160	1	1					
35- 13	.STUD M12 x 64	194200-24180	4	4		10			
35- 14	.PIN 8 x 28, straight	1A1040-26060	6	6		10			
35- 15	.STUD M10 x 32	26226-100322	7	7		10			
35- 16	.STUD M10 x 50	26226-100502	1	1		10			
35- 17	.STUD M14 x 32	26226-140322	4	4		10			
35- 18	.STUD M10 x 55	194200-24200	2	2			W	YM155 from No. 50030 YM155D from No. 50304	
35- 19	STUD M10x 32	194201-24190	2	2					
35- 20	PACKING, transmission housing upper cover	194200-24360	1	1		10			
35- 21	BOLT M12 x 45	26013-120452	4	4		10			
35- 22	BOLT M8 x 16	26013-080162	8	8		10			
35- 23	O-RING 28-S	24341-000280	1	1		10			
35- 24	COVER, safety	194340-24550-X	1	1			N	[5]	
35- 25	BOLT M12 x 20	26013-120202	4	4		10	W	[4]	

Fig. 35 TRANSMISSION CASE & COVER (ENGLAND) [YM155, YM155D]

M E M O

Refer. No.	Description	Part No.	Qty/Unit				Sales Unit	Inter-change ability	Design-change Mark	Remarks
			YM155	YM155D	YM135	YM135D				
35- 26	OIL PLUG 30	194200-24380	1	1						
35- 27	HINGE, top link	194340-10010	1	1			N	[4]		
35- 28	COVER, transmission housing upper	194200-24300-X	1	1						
35- 29	DIPSTICK	194200-24250	1	1						
35- 30	COVER, transmission housing	194200-24210-X	1	1						
35- 31	PACKING, transmission housing cover	194200-24220	1	1		10				
35- 32	BOLT M8 x 20	26106-080202	4	4		10				
35- 33	PACKING 8, copper	1A1040-28900	4	4		10				
35- 34	COVER, transmission housing front	194200-24401	1							
35- 35	COVER, transmission housing front	194210-24401		1						
35- 36	PACKING, transmission housing front cover	194200-24410	1	1		10				
35- 37	BOLT M8 x 20	26106-080202	10	10		10				
35- 38	PACKING 8, copper	23414-080000	10	10		10				
35- 39	COVER, transmission housing rear	194200-24450	1	1						
35- 40	PACKING, transmission housing rear cover	194200-24460	1	1		10				
35- 41	BOLT M8 x 25	26013-080252	6	6		10				
35- 42	SPRING WASHER 8	22217-080000	7	7		10	Z			
35- 43	COVER, complete, P.T.O. shaft	194200-24270-X	1	1						
35- 44	BOLT M8 x 20	26116-080202	1	1		10				
35- 45	NUT M8	26716-080002	1	1		10				
35- 46	SPRING WASHER 8	22217-080000	1	1		10				
35- 47	OIL PLUG 20	1A1040-28040	1	1						
35- 48	PACKING 8	23414-080000	1	1		10				
35- 49	BOLT M 8x 25	26106-080252	1	1		10				

SOUTHERN FARM EQUIPMENT

Fig. 36 TRANSMISSION INTERIOR (EXCEPT ENGLAND) [YM155,YM155D]

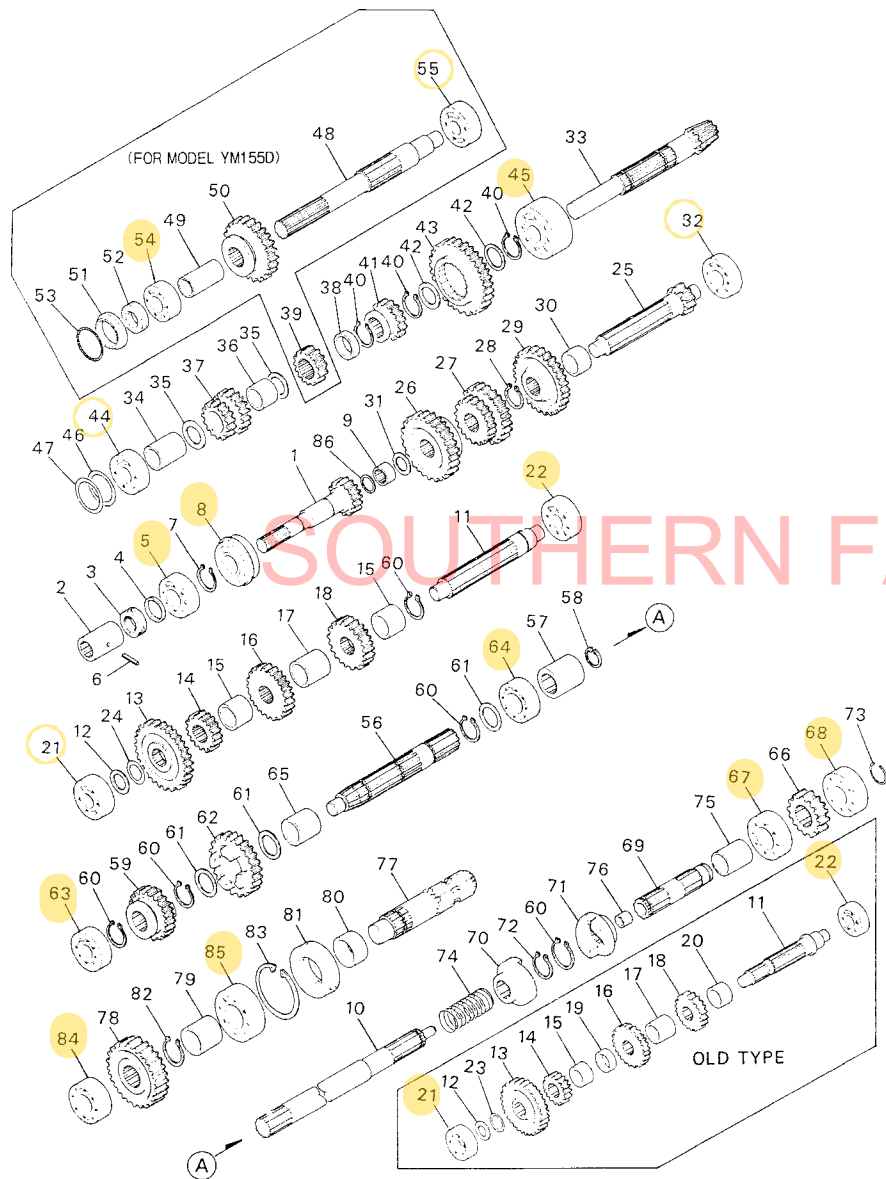


Fig. 36 TRANSMISSION INTERIOR (EXCEPT ENGLAND) [YM155,YM155D]

Refer. No.	Description	Part No.	Q'ty/Unit				Inter-changeability	Design-change Mark	Remarks
			YM155	YM155D	YM135	YM135D			
36- 1	SHAFT, main	194200-25201	1	1					
	SHAFT, main	194340-25200	1	1			S [4]	2 grooves provided at the 250 outer dia. part.	
36- 2	JOINT, main shaft 30d x 66L	194200-25220	1	1					
36- 3	OIL SEAL TC20357	194200-25240	1	1		10			
36- 4	SPACER, main shaft 30d x 1.0w	194200-25270	1	1					
36- 5	BALL BEARING 6204	24101-062044	1	1					
36- 6	SPRING PIN 4 x 32	22351-040032	1	1		10			
36- 7	CIRCLIP 25-S	22242-000250	1	1		10			
36- 8	BALL BEARING 6205NR	194200-25260	1	1					
36- 9	NEEDLE BEARING 15 x 21 x 12	194200-25250	1	1					
	NEEDLE BEARING KT152111	194340-25250	1	1			S [4]		
36- 10	SHAFT, connecting	194340-26360	1	1					
	SHAFT, connecting	194340-26361	1	1			N [1]		
36- 11	SHAFT, driven 24.667d x 169L	194200-25301	1	1					
	SHAFT, driven 32d x 169L	194340-25302	1	1			N [1]		
	SHAFT, driven 24.667d x 169L	194340-25303	1	1			S [4]		
36- 12	LINER 17 x 30 x 1	1A1040-23210	1	1		10			
	LINER 18 x 30 x 1	194200-25280	1	1		10	N [4]		
36- 13	GEAR 26, driven	194200-25310	1	1					
	GEAR 26, driven 83.7d x 18.35id	194340-25310	1	1			S [4]		
36- 14	GEAR 12, driven 45d x 18.35id	194200-25320	1	1					
	GEAR 13, driven 48d x 21.7id	194340-25320	1	1			S [4]		
36- 15	COLLAR 21.4 x 32 x 25	194200-25331	1	1					
	COLLAR 21.4 x 32 x 15	194340-25332	1	1			N [1]		
	COLLAR 25 x 32 x 24	194340-25660	2	2			S [4]		
36- 16	GEAR 21, driven 68.7d x 11w	194200-25340	1	1					
	GEAR 21, driven 68.7d x 11w	194340-25340	1	1			N [1]	" 5 " stamped on gear lateral.	
	GEAR 18, driven 70.9d x 12w	194340-25341	1	1			S [4]		

Fig. 36 TRANSMISSION INTERIOR (EXCEPT ENGLAND) [YM155, YM155D]

Refer. No.	Description	Part No.	Qty/Unit			Sales Unit	Inter-change ability	Design-change Mark	Remarks
			YM155	YM155D	YM135				
36- 17	COLLAR 25 x 32 x 30	194200-25350	1	1					
	COLLAR 25 x 32 x 31	194340-25351	1	1			S [4]		
	COLLAR 25 x 32 x 31	194340-25350	1	1			N [4]		
36- 18	GEAR 17, driven 57d x 11w	194340-25360	1	1					
	GEAR 17, driven 59.12d x 11w	194340-25361	1	1			N [1]		
	GEAR 15, driven 61.55d x 12w	194340-25362	1	1			S [4]		
36- 19	LINER 20 x 32 x 2	194200-25370	1	1					
	COLLAR 25 x 32 x 10	194340-25371	1	1			N [1]		
	COLLAR 25 x 32 x 10	194340-25371	1	1			Z [4]		
36- 20	COLLAR 20 x 26 x 39.5	194200-25380	1	1					
	COLLAR 25 x 32 x 20.5	194340-25381	1	1			N [1]		
	COLLAR 25 x 32 x 20.5	194340-25381	1	1			Z [4]		
36- 21	BALL BEARING 6303	24101-063034	1	1					
36- 22	BALL BEARING 6303	24101-063034	1	1					
36- 23	SHIM 22, driven shaft adjusting	194200-25460	-	-	10		Z [4]		
36- 24	SHIM 25, driven shaft adjusting	194200-25470	-	-	10				
36- 25	SHAFT, main change 40d x 154L	194200-25400	1	1					
	SHAFT, main change 40d x 154L	194340-25400	1	1			S [4]	2 grooves provided to the shaft.	
36- 26	GEAR 26, 1st/reverse sliding	194200-25410	1	1					
	GEAR 25, 1st/reverse sliding	194340-25410	1	1			S [4]		
36- 27	GEAR 17/21, 2nd/3rd sliding	194340-25420	1	1			N [1]		
	GEAR 14/17, 2nd/3rd sliding	194340-25421	1	1			S [4]		
36- 28	CIRCLIP 25-S	22242-000250	1	1	10				
36- 29	GEAR 31, main 82.3d x 16w	194200-25430	1	1					
	GEAR 31, main 82.3d x 14w	194340-25430	1	1			S [4]		
36- 30	COLLAR 25 x 30 x 13	194200-25440	1	1					
36- 31	LINER 15.5 x 28 x 1	194200-25450	1	1	10				

Fig. 36 TRANSMISSION INTERIOR (EXCEPT ENGLAND) [YM155, YM155D]

Refer. No.	Description	Part No.	Qty/Unit			Sales Unit	Inter-change ability	Design-change Mark	Remarks
			YM155	YM155D	YM135				
36- 32	BALL BEARING 6303	24101-063034	1	1					
36- 33	COUNTER SHAFT	194200-25500	1	1					
36- 34	COLLAR 21 x 27 x 36.5	194200-25510	1	1					
36- 35	LINER 20 x 35 x 1	1A1040-23220	2	2		10			
36- 36	METAL 20 x 25 x 22	194200-25520	1	1					
36- 37	GEAR 13/18, reverse	194200-25530	1	1					
	GEAR 14/14, reverse	194340-25530	1	1			S [4]		
36- 38	COLLAR 25 x 32 x 9	194200-25610	1	1				In place of 36-39.	
36- 39	GEAR 16, front driving	194210-25540	1	1					
	GEAR 20, front driving	194341-25540	1	1			S [4]		
36- 40	CIRCLIP 25-S	22242-000250	3	3		10			
36- 41	GEAR 16, low-hi sliding	194200-25550	1	1					
36- 42	LINER 25 x 33 x 1.6	194200-25560	2	2		10			
36- 43	GEAR 34, low-hi reduction	194200-25810	1	1					
36- 44	BALL BEARING 7204, angular	194200-25570	1	1					
36- 45	BALL BEARING, double-row angular	194200-25581	1	1					
36- 46	SHIM 0.1, counter shaft adjusting	194200-25590	-	-		10			
36- 47	SHIM 0.3, counter shaft adjusting	194200-25600	-	-		10			
36- 48	SHAFT, front P.T.O.	194210-26100	1	1					
36- 49	COLLAR 20.5 x 25 x 40	194210-26110	1	1					
36- 50	GEAR 29, front P.T.O. sliding	194210-26120	1	1					
	GEAR 25, front P.T.O. sliding	194341-26120	1	1			S [4]		
36- 51	RETAINER, bearing	194210-26130	1	1					
36- 52	OIL SEAL TC20357	194210-25240	1	1		10			

Fig. 36 TRANSMISSION INTERIOR (EXCEPT ENGLAND) [YM155, YM155D]

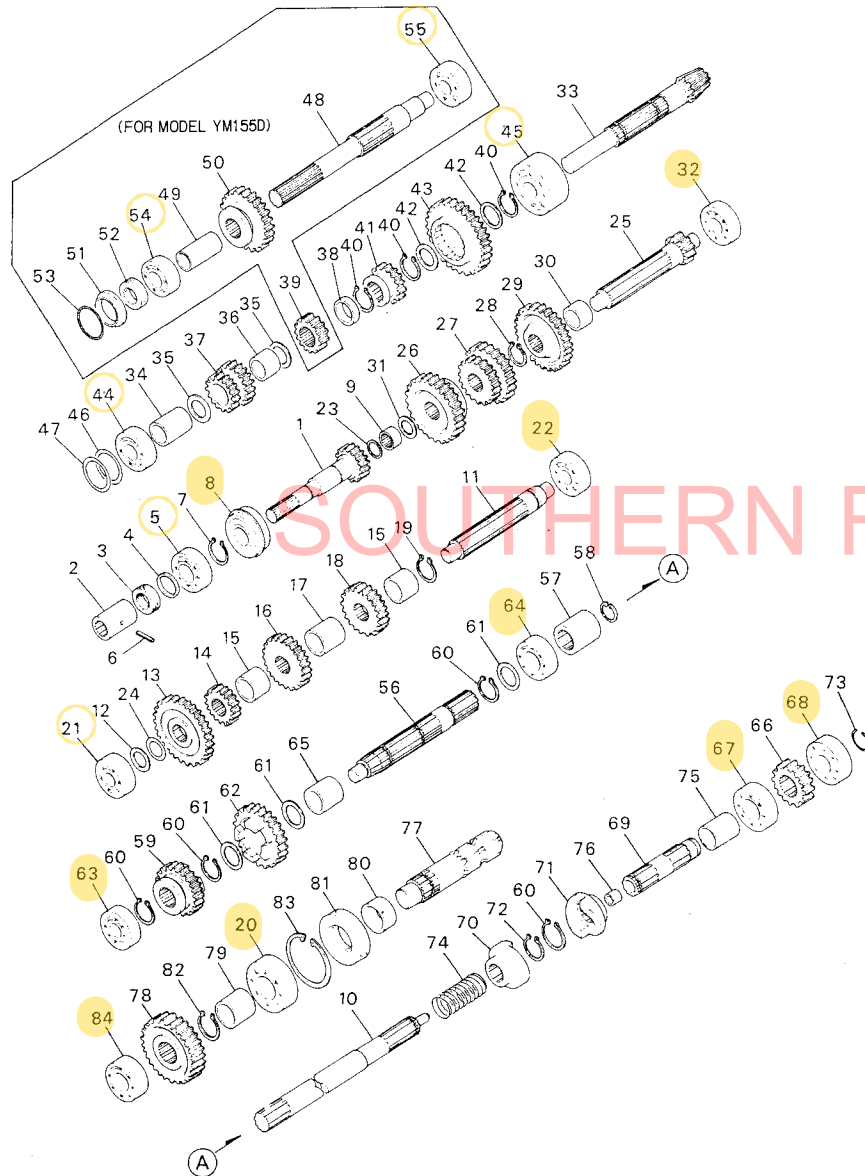
Refer. No.	Description	Part No.	Q'ty/Unit				Sales Unit	Inter-change ability	Design-change Mark	Remarks
			YM155	YM155D	YM135	YM135D				
36- 53	O-RING 41-P	24311-000410		1		10				
36- 54	BALL BEARING 6204	24101-062044		1						
36- 55	BALL BEARING 6303	24101-063034		1						
36- 56	SHAFT, P.T.O. driving	194340-26310		1						
	SHAFT, P.T.O. driving	194340-26311		1			S	[4]		
36- 57	JOINT, P.T.O. driving shaft	194200-26320		1						
36- 58	CIRCLIP 22-H	22252-000220		1		10				
36- 59	GEAR 19, P.T.O. sliding	194340-26340		1						
	GEAR 16, P.T.O. sliding	194340-26341		1			S	[4]		
36- 60	CIRCLIP 25-S	22242-000250		5		10		[4]		
36- 61	LINER 25 x 33 x 1.6	194200-25560		3		10			In common with 36-42.	
36- 62	GEAR 23, P.T.O. reduction	194340-26350		1						
	GEAR 23, P.T.O. reduction	194340-26351		1			N	[1]		
	GEAR 19, P.T.O. reduction	194340-26352		1			S	[4]		
36- 63	BALL BEARING 6303	24101-063034		1						
36- 64	BALL BEARING 6205	24101-062054		1						
36- 65	COLLAR 25 x 32 x 32.2	194200-26331		1						
	COLLAR 25 x 32 x 31	194340-25350		1			S	[4]		
36- 66	GEAR 15, P.T.O. reduction	194262-26390		1						
	51d x 17w	194340-26391		1			N	[1]		
	GEAR 15, P.T.O. reduction	194340-26392		1						
	51.9d x 17w									
	GEAR 14, P.T.O. reduction	194340-26392		1			P	[4]	Interchangeable by set with 36-78.	
	50.4d x 17w									
36- 67	BALL BEARING 6205	24101-062054		1						
36- 68	BALL BEARING 6304	24101-063044		1						
36- 69	SHAFT, P.T.O. reduction	194340-26380		1						
36- 70	CLUTCH (A)	194340-26510		1						
	CLUTCH (A)	194340-26511		1			N	[1]		
36- 71	CLUTCH (B)	194340-26520		1						

Fig. 36 TRANSMISSION INTERIOR (EXCEPT ENGLAND) [YM155, YM155D]

Refer. No.	Description	Part No.	Q'ty/Unit				Sales Unit	Inter-change ability	Design-change Mark	Remarks
			YM155	YM155D	YM135	YM135D				
36- 72	CIRCLIP 20-S	22242-000200		1		10				
	CIRCLIP 21-S	22242-000210		1		10	N	[1]		
36- 73	RING, differential lock shaft	194200-35320		1		10				
36- 74	SPRING	194240-26451		1						
	SPRING	194340-26450		1			N	[1]		
36- 75	COLLAR 25 x 30 x 34	194340-26370		1						
36- 76	BUSH	194240-26280		1						
36- 77	SHAFT, P.T.O.	194340-26410		1						
36- 78	GEAR 25	194200-26241		1					Misprint	
	GEAR 24	194340-26240		1			S	[1]	Misprint	
	GEAR 24	194340-26241		1			S	[4]	Misprint	
	GEAR 24	194340-26421		1			S	[4]		
36- 79	COLLAR 30.5 x 37.5 x 20.5	194200-26450		1						
36- 80	SEAL COLLAR 30 x 40 x 15	194200-26460		1						
36- 81	OIL SEAL TC 40628	195140-13660		1		10				
36- 82	CIRCLIP 30-S	22242-000300		1		10				
36- 83	CIRCLIP 62-H	22252-000620		1		10				
36- 84	BALL BEARING 6205	24101-062054		1						
36- 85	BALL BEARING 6208	24101-062064		1						
36- 86	LINER 16 x 21 x 1	194340-25290		1		10	W	[4]		

Fig. 37 TRANSMISSION INTERIOR (ENGLAND) [YM155,YM155D]

Fig. 37 TRANSMISSION INTERIOR (ENGLAND) [YM155,YM155D]



Refer. No.	Description	Part No.	Qty/Unit				Inter-changeability	Design-change Mark	Remarks
			YM155	YM155D	YM135	YM135D			
37- 1	SHAFT, main	194340-25200	1	1					
37- 2	JOINT, main shaft 30d x 66L	194200-25220	1	1					
37- 3	OIL SEAL TC20357	194200-25240	1	1		10			
37- 4	SPACER, main shaft 30d x 1.0w	194200-25270	1	1					
37- 5	BALL BEARING 6204	24101-062044	1	1					
37- 6	SPRING PIN 4 x 32	22351-040032	1	1		10			
37- 7	CIRCLIP 25-S	22242-000250	1	1		10			
37- 8	BALL BEARING 6205NR	194200-25260	1	1					
37- 9	NEEDLE BEARING KT152111	194340-25250	1	1					
37- 10	SHAFT, connecting	194340-26361	1	1					
37- 11	SHAFT, driven 24.667d x 169L	194340-25303	1	1					
37- 12	LINER 18 x 30 x 1	194200-25280	1	1		10			
37- 13	GEAR 26, driven 83.7d x 21.7id	194340-25310	1	1					
37- 14	GEAR 13, driven 48d x 21.7id	194340-25320	1	1					
37- 15	COLLAR 25 x 32 x 24	194340-25660	2	2					
37- 16	GEAR 18, driven 70.9d x 12w	194340-25341	1	1					
37- 17	COLLAR 25 x 32 x 31	194340-25350	1	1					
37- 18	GEAR 15, driven 61.55d x 12w	194340-25362	1	1					
37- 19	CIRCLIP 25-S	22242-000250	1	1					
37- 20	BALL BEARING 6206	24101-062064	1	1					
37- 21	BALL BEARING 6303	24101-063034	1	1					
37- 22	BALL BEARING 6303	24101-063034	1	1					
37- 23	LINER 16 x 21 x 1	194340-25290	1	1		10			
37- 24	SHIM 25, driven shaft adjusting	194200-25470	-	-		10			
37- 25	SHAFT, main change 40d x 154L	194340-25400	1	1					
37- 26	GEAR 25, 1st/reverse sliding	194340-25410	1	1					
37- 27	GEAR 14/17, 2nd/3rd sliding	194340-25421	1	1					
37- 28	CIRCLIP 25-S	22242-000250	1	1		10			
37- 29	GEAR 31, main 82.3d x 14w	194340-25430	1	1					

Fig. 37 TRANSMISSION INTERIOR (ENGLAND) [YM155, YM155D]

Fig. 37 TRANSMISSION INTERIOR (ENGLAND) [YM155, YM155D]

Refer. No.	Description	Part No.	Q'ty/Unit			Sales Unit	Inter-changeability	Design-change Mark	Remarks
			YM155	YM155D	YM135				
37- 30	COLLAR 25 x 30 x 13	194200-25440	1	1					
37- 31	LINER 15.5 x 28 x 1	194200-25450	1	1		10			
37- 32	BALL BEARING 6303	24101-063034	1	1					
37- 33	COUNTER SHAFT	194200-25500	1	1					
37- 34	COLLAR 21 x 27 x 36.5	194200-25510	1	1					
37- 35	LINER 20 x 35 x 1	1A1040-23220	2	2		10			
37- 36	METAL 20 x 25 x 22	194200-25520	1	1					
37- 37	GEAR 14/14, reverse	194340-25530	1	1					
37- 38	COLLAR 25 x 32 x 9	194200-25610	1					In place of 37-39.	
37- 39	GEAR 20, front driving	194341-25540	1						
37- 40	CIRCLIP 25-S	22242-000250	3	3		10			
37- 41	GEAR 16, low-hi sliding	194200-25550	1	1					
37- 42	LINER 25 x 33 x 1.6	194200-25560	2	2		10			
37- 43	GEAR 34, low-hi reduction	194200-25810	1	1					
37- 44	BALL BEARING 7204, angular	194200-25570	1	1					
37- 45	BALL BEARING, double-row angular	194200-25581	1	1					
37- 46	SHIM 0.1, counter shaft adjusting	194200-25590	-	-		10			
37- 47	SHIM 0.3, counter shaft adjusting	194200-25600	-	-		10			
37- 48	SHAFT, front P.T.O.	194210-26100	1						
37- 49	COLLAR 20.5 x 25 x 40	194210-26110	1						
37- 50	GEAR 25, front P.T.O. sliding	194341-26120	1	50					
37- 51	RETAINER, bearing	194210-26130	1						
37- 52	OIL SEAL TC20357	194210-25240	1			10			
37- 53	O-RING 41-P	24311-000410	1			10			
37- 54	BALL BEARING 6204	24101-062044	1						
37- 55	BALL BEARING 6303	24101-063034	1						
37- 56	SHAFT, P.T.O. driving	194340-26311	1	1					

Refer. No.	Description	Part No.	Q'ty/Unit			Sales Unit	Inter-changeability	Design-change Mark	Remarks
			YM155	YM155D	YM135				
37- 57	JOINT, P.T.O. driving shaft	194200-26320	1	1					
37- 58	CIRCLIP 22-H	22252-000220	1	1		10			
37- 59	GEAR 16, P.T.O. sliding	194340-26341	1	1					
37- 60	CIRCLIP 25-S	22242-000250	4	4		10			
37- 61	LINER 25 x 33 x 1.6	194200-25560	3	3		10		In common with 37-42.	
37- 62	GEAR 19, P.T.O. reduction	194340-26352	1	1					
37- 63	BALL BEARING 6303	24101-063034	1	1					
37- 64	BALL BEARING 6205	24101-062054	1	1					
37- 65	COLLAR 25 x 32 x 31	194340-25350	1	1					
37- 66	GEAR 14, P.T.O. reduction	194340-26392	1	1					
37- 67	BALL BEARING 6205	24101-062054	1	1				by set with 37-78.	
37- 68	BALL BEARING 6304	24101-063044	1	1					
37- 69	SHAFT, P.T.O. reduction	194340-26390	1	1					
37- 70	CLUTCH (A)	194340-26511	1	1					
37- 71	CLUTCH (B)	194340-26520	1	1					
37- 72	CIRCLIP 21-S	22242-000210	1	1		10			
37- 73	RING, differential lock shaft	194200-35320	1	1		10			
37- 74	SPRING	194340-26450	1	1					
37- 75	COLLAR 25 x 30 x 34	194340-26370	1	1					
37- 76	BUSH	194240-26280	1	1					
37- 77	SHAFT, P.T.O.	194200-26410	1	1					
37- 78	GEAR 24	194340-26421	1	1					
37- 79	COLLAR 30.5 x 37.5 x 20.5	194200-26450	1	1					
37- 80	SEAL COLLAR 30 x 40 x 15	194200-26460	1	1					
37- 81	OIL SEAL TC 40628	195140-13660	1	1		10			
37- 82	CIRCLIP 30-S	22242-000300	1	1		10			
37- 83	CIRCLIP 62-H	22252-000620	1	1		10			
37- 84	BALL BEARING 6205	24101-062054	1	1					

Fig. 38 TRANSMISSION INTERIOR [YM135,YM135D]

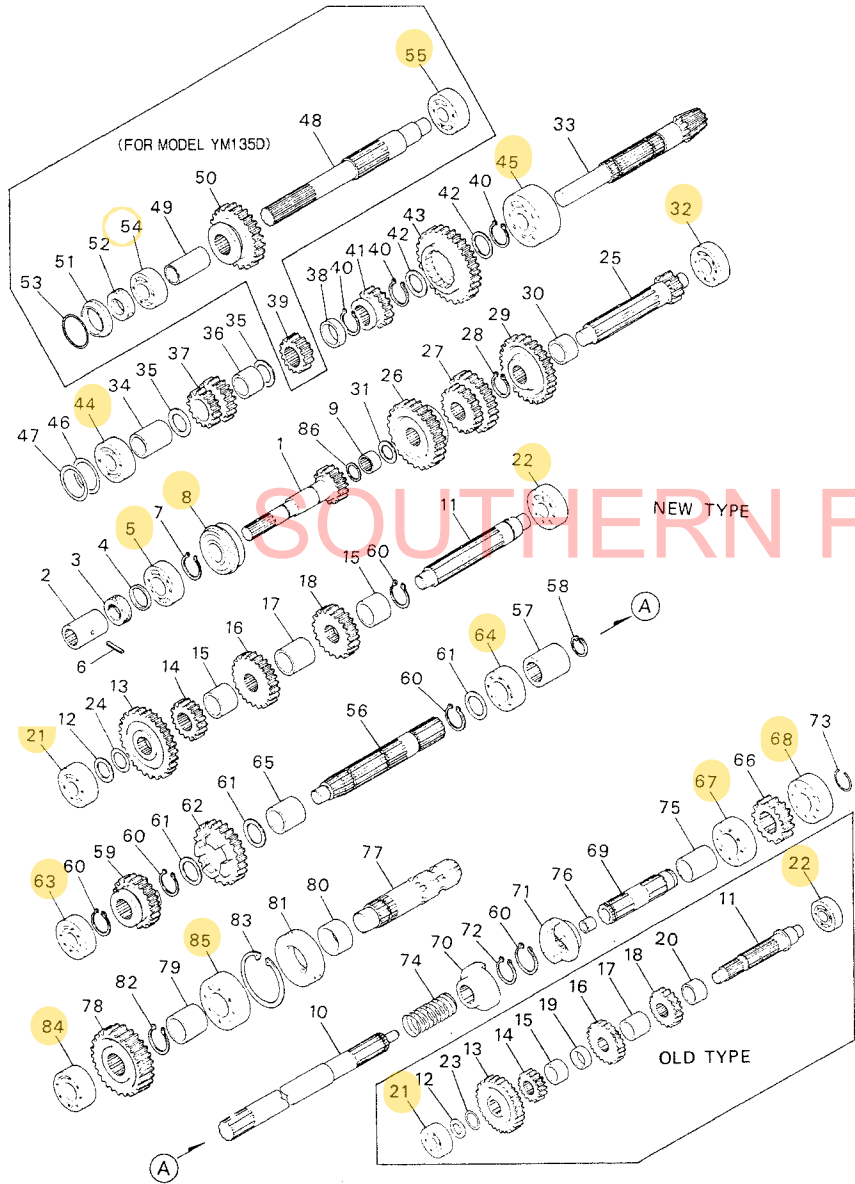


Fig. 38 TRANSMISSION INTERIOR [YM135,YM135D]

Refer. No.	Description	Part No.	Qty/Unit			Inter-change ability	Design Mark	Remarks
			YM135	YM135D	YM135			
38- 1	SHAFT, main	194200-25201		1	1			
	SHAFT, main	194340-25200		1	1	S	[4]	2 grooves provided at the 25o outer dia. part.
38- 2	JOINT, main shaft 30d x 66L	194200-25220		1	1			
38- 3	OIL SEAL TC20357	194200-25240		1	10			
38- 4	SPACER, main shaft 30d x 1.0w	194200-25270		1	1			
38- 5	BALL BEARING 6204	24101-062044		1	1			
38- 6	SPRING PIN 4 x 32	22351-040032		1	10			
38- 7	CIRCLIP 25-S	22242-000250		1	10			
38- 8	BALL BEARING 6205NR	194200-25260		1	1			
38- 9	NEEDLE BEARING 15 x 21 x 12	194200-25250		1	1			
	NEEDLE BEARING KT152111	194340-25250		1	1	S	[4]	
38- 10	SHAFT, connecting	194340-26360		1	1			
	SHAFT, connecting	194340-26361		1	1	N	[1]	
38- 11	SHAFT, driven 24.667d x 169L	194200-25301		1	1			
	SHAFT, driven 32d x 169L	194340-25302		1	1	N	[1]	
	SHAFT, driven 24.667d x 169L	194340-25303		1	1	S	[4]	
38- 12	LINER 17 x 30 x 1	1A1040-23210		1	10			
	LINER 18 x 30 x 1	194200-25280		1	10	N	[4]	
38- 13	GEAR 26, driven 83.7d x 18.35id	194200-25310		1	1			
	GEAR 26, driven 83.7d x 21.7id	194340-25310		1	1	S	[4]	
38- 14	GEAR 12, driven 45d x 18.35id	194200-25320		1	1			
	GEAR 13, driven 48d x 21.7id	194340-25320		1	1	S	[4]	
38- 15	COLLAR 21.4 x 32 x 25	194200-25331		1	1			
	COLLAR 21.4 x 32 x 15	194340-25332		1	1	N	[1]	
	COLLAR 25 x 32 x 24	194340-25660		2	2	S	[4]	
38- 16	GEAR 21, driven 68.7d x 11w	194200-25340		1	1			
	GEAR 21, driven 68.7d x 11w	194340-25340		1	1	N	[1]	* 5 * stamped on gear lateral.
	GEAR 18, driven 70.9d x 12w	194340-25341		1	1	S	[4]	

Fig. 38 TRANSMISSION INTERIOR [YM135,YM135D]

Refer. No.	Description	Part No.	Q'ty/Unit			Sales Unit	Inter-change ability	Design-change Mark	Remarks
			YM155	YM155D	YM135				
38- 17	COLLAR 25 x 32 x 30	194200-25350		1	1				
	COLLAR 25 x 32 x 31	194340-25351		1	1		S	Misprint	
	COLLAR 25 x 32 x 31	194340-25350		1	1		N [4]		
38- 18	GEAR 17, driven 57d x 11w	194340-25360		1	1				
	GEAR 17, driven 59.12d x 11w	194340-25361		1	1		N [1]		
	GEAR 15, driven 61.55d x 12w	194340-25362		1	1		S [4]		
38- 19	LINER 20 x 32 x 2	194200-25370		1	1				
	COLLAR 25 x 32 x 10	194340-25371		1	1		N [1]		
	COLLAR 25 x 32 x 10	194340-25371		1	1		Z [4]		
38- 20	COLLAR 20 x 26 x 39.5	194200-25380		1	1				
	COLLAR 25 x 32 x 20.5	194340-25381		1	1		N [1]		
	COLLAR 25 x 32 x 20.5	194340-25381		1	1		Z [4]		
38- 21	BALL BEARING 6303	24101-063034		1	1				
38- 22	BALL BEARING 6303	24101-063034		1	1				
38- 23	SHIM 22, driven shaft adjusting	194200-25460		-	- 10		Z [4]		
38- 24	SHIM 25, driven shaft adjusting	194200-25470		-	- 10				
38- 25	SHAFT, main change 40d x 154L	194200-25400		1	1				
	SHAFT, main change 40d x 154L	194340-25400		1	1		S [4]	2 grooves provided to the shaft.	
38- 26	GEAR 26, 1st/reverse sliding	194200-25410		1	1				
	GEAR 25, 1st/reverse sliding	194340-25410		1	1		S [4]		
38- 27	GEAR 17/21, 2nd/3rd sliding	194340-25420		1	1		N [1]		
	GEAR 14/17, 2nd/3rd sliding	194340-25421		1	1		S [4]		
38- 28	CIRCLIP 25-S	22242-000250		1	1 10				
38- 29	GEAR 31, main 82.3d x 16w	194200-25430		1	1				
	GEAR 31, main 82.3d x 14w	194340-25430		1	1		S [4]		
38- 30	COLLAR 25 x 30 x 13	194200-25440		1	1				
38- 31	LINER 15.5 x 28 x 1	194200-25450		1	1 10				

Fig. 38 TRANSMISSION INTERIOR [YM135,YM135D]

Refer. No.	Description	Part No.	Q'ty/Unit			Sales Unit	Inter-change ability	Design-change Mark	Remarks
			YM155	YM155D	YM135				
38- 32	BALL BEARING 6303	24101-063034			1	1			
38- 33	COUNTER SHAFT	194200-25500			1	1			
38- 34	COLLAR 21 x 27 x 36.5	194200-25510			1	1			
38- 35	LINER 20 x 35 x 1	1A1040-23220			2	2 10			
38- 36	METAL 20 x 25 x 22	194200-25520			1	1			
38- 37	GEAR 13/18, reverse	194200-25530			1	1			
	GEAR 14/14, reverse	194340-25530			1	1	S [4]		
38- 38	COLLAR 25 x 32 x 9	194200-25610			1			In place of 38-39.	
38- 39	GEAR 17, front driving	194391-25540				1			
	GEAR 16, front driving	194210-25540				1	S [1]		
	GEAR 21, front driving	194391-25541				1	S [4]		
38- 40	CIRCLIP 25-S	22242-000250			3	3 10			
38- 41	GEAR 16, low-hi sliding	194200-25550			1	1			
38- 42	LINER 25 x 33 x 1.6	194200-25560			2	2 10			
38- 43	GEAR 34, low-hi reduction	194200-25810			1	1			
38- 44	BALL BEARING 7204, angular	194200-25570			1	1			
38- 45	BALL BEARING, double-row angular	194200-25581			1	1			
38- 46	SHIM 0.1, counter shaft	194200-25590			-	- 10		Selective	
38- 47	SHIM 0.3, counter shaft	194200-25600			-	- 10			
38- 48	SHAFT, front P.T.O.	194210-26100				1			
38- 49	COLLAR 20.5 x 25 x 40	194210-26110				1			
38- 50	GEAR 29, front P.T.O. sliding	194210-26120				1			
	GEAR 24, front P.T.O. sliding	194391-26120				1	S [4]		
38- 51	RETAINER, bearing	194210-26130				1			
38- 52	OIL SEAL TC20357	194210-25240				1 10			

Fig. 38 TRANSMISSION INTERIOR [YM135,YM135D]

Refer. No.	Description	Part No.	Q'ty/Unit				Sales Unit	Inter-change ability	Design-change Mark	Remarks
			YM155	YM155D	YM135	YM135D				
38- 53	O-RING 41-P	24311-000410			1	10				
38- 54	BALL BEARING 6204	24101-062044			1					
38- 55	BALL BEARING 6303	24101-063034			1					
38- 56	SHAFT, P.T.O. driving	194340-26310			1	1				
	SHAFT, P.T.O. driving	194340-26311			1	1	S	[4]		
38- 57	JOINT, P.T.O. driving shaft	194200-26320			1	1				
38- 58	CIRCLIP 22-H	22252-000220			1	10				
38- 59	GEAR 19, P.T.O. sliding	194340-26340			1	1				
	GEAR 16, P.T.O. sliding	194340-26341			1	1	S	[4]		
38- 60	CIRCLIP 25-S	22242-000250			5	5	10	[4]		
38- 61	LINER 25 x 33 x 1.6	194200-25560			3	3	10		In common with 38-42.	
38- 62	GEAR 23, P.T.O. reduction	194340-26350			1	1				
	GEAR 23, P.T.O. reduction	194340-26351			1	1	N	[1]		
	GEAR 19, P.T.O. reduction	194340-26352			1	1	S	[4]		
38- 63	BALL BEARING 6303	24101-063034			1	1				
38- 64	BALL BEARING 6205	24101-062054			1	1				
38- 65	COLLAR 25 x 32 x 32.2	194200-26331			1	1				
	COLLAR 25 x 32 x 31	194340-25350			1	1	S	[4]		
38- 66	GEAR 15, P.T.O. reduction	194262-26390			1	1				
	51d x 17w									
	GEAR 15, P.T.O. reduction	194340-26391			1	1	N	[1]		
	51.9d x 17w									
	GEAR 14, P.T.O. reduction	194340-26392			1	1	F	[4]	Interchangeable by set with 38-78.	
	50.4d x 17w									
38- 67	BALL BEARING 6205	24101-062054			1	1				
38- 68	BALL BEARING 6304	24101-063044			1	1				
38- 69	SHAFT, P.T.O. reduction	194340-26380			1	1				
38- 70	CLUTCH (A)	194340-26510			1	1				
	CLUTCH (A)	194340-26511			1	1	N	[1]		
38- 71	CLUTCH (B)	194340-26520			1	1				

Fig. 38 TRANSMISSION INTERIOR [YM135,YM135D]

Refer. No.	Description	Part No.	Q'ty/Unit				Sales Unit	Inter-change ability	Design-change Mark	Remarks
			YM155	YM155D	YM135	YM135D				
38- 72	CIRCLIP 20-S	22242-000200			1	1	10			
	CIRCLIP 21-S	22242-000210			1	1	10	N	[1]	
38- 73	RING, differential lock shaft	194200-35320			1	1	10			
38- 74	SPRING	194240-26451			1	1				
	SPRING	194340-26450			1	1	N	[1]		
38- 75	COLLAR 25 x 30 x 34	194340-26370			1	1				
38- 76	BUSH	194240-26280			1	1				
38- 77	SHAFT, P.T.O.	194340-26410			1	1				
38- 78	GEAR 25	194200-26241			1	1				
	GEAR 24	194340-26240			1	1	S	[1]		
	GEAR 24	194340-26241			1	1	S	[4]		
	GEAR 24	194340-26421			1	1	S	[4]		
38- 79	COLLAR 30.5 x 37.5 x 20.5	194200-26450			1	1				
38- 80	SEAL COLLAR 30 x 40 x 15	194200-26460			1	1				
38- 81	OIL SEAL TC 40628	195140-13660			1	1	10			
38- 82	CIRCLIP 30-S	22242-000300			1	1	10			
38- 83	CIRCLIP 62-H	22252-000620			1	1	10			
38- 84	BALL BEARING 6205	24101-062054			1	1				
38- 85	BALL BEARING 6208	24101-062064			1	1				
38- 86	LINER 16 x 21 x 1	194340-25290			1	1	10	W	[4]	

Fig. 39 TRANSMISSION CONTROL [YM155,YM155D]

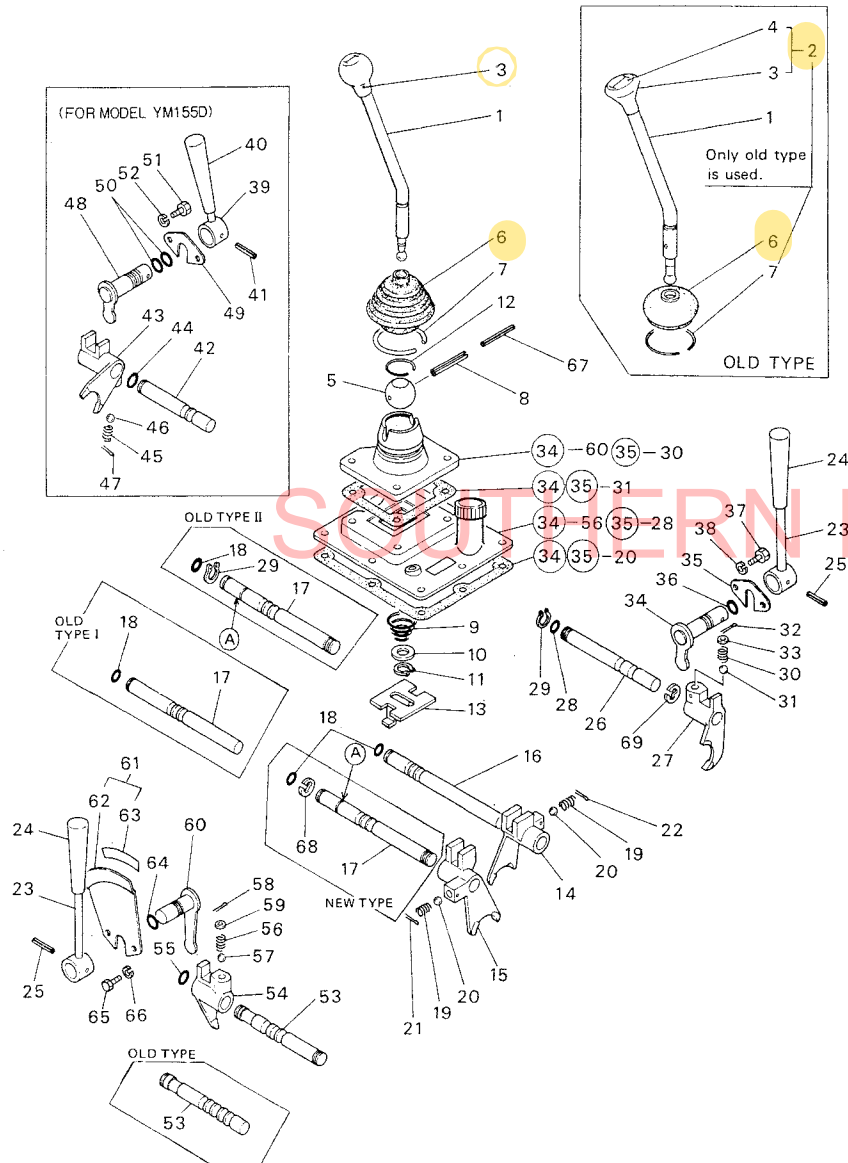


Fig. 39 TRANSMISSION CONTROL [YM155,YM155D]

Refer. No.	Description	Part No.	Q/In Unit				Sales Unit	Interchangeability	Design Mark	Remarks
			YM155	YM155D	YM155	YM155D				
39- 1	LEVER, main change	194200-27110-X	1	1						
	LEVER, main change	194201-27111-X	1	1				F	[5] Interchangeable by set with 39-3.	
39- 2	KNOB w/LABEL, main change lever	194200-27140	1	1				Z	[5]	
39- 3	.KNOB, main change lever	194200-27150	1	1						
	.KNOB, main change lever	194201-27150	1	1				F	[5] Interchangeable by set with 39-1.	
39- 4	.LABEL, main speed change indication	194200-65700	1	1				Z	[5]	
39- 5	BALL, speed change shifter	1E4030-27340	1	1						
39- 6	BOOT, rubber	1A1040-28180	1	1						
	BOOT, rubber	194201-27170	1	1				N	YM155 from No. 51851 YM155D from No. 55325	
39- 7	CIRCLIP 50	1A1040-26190	1	1			10	Z		
39- 8	SPRING PIN 5 x 40	22351-050040	1	1			10			
39- 9	SPRING, change lever	194200-27160	1	1			10			
39- 10	WASHER 12, plain	22117-120000	1	1			10			
39- 11	CIRCLIP 12	22242-000120	1	1			10			
39- 12	CIRCLIP 30	1A1040-26320	1	1			10			
39- 13	GUIDE, safety	194200-27181	1	1						
39- 14	FORK, reverse/1st speed shift	194200-27310	1	1						
39- 15	FORK, 2nd/3rd speed shift	194200-27320	1	1				S	[4]	
	FORK, 2nd/3rd speed shift	194340-27320	1	1						
39- 16	SHAFT, reverse/1st fork	194200-27350	1	1						
39- 17	SHAFT, 2nd/3rd fork	194200-27360	1	1				S	[4] Interchangeable by set with 39-68.	
	SHAFT, 2nd/3rd fork, A part groove dia. = 140	194340-27360	1	1					Misprint	
	SHAFT, 2nd/3rd fork, A part groove dia. = 120	194340-27631	1	1				F	YM155 from No. 51108 YM155D from No. 51281	

Fig. 39 TRANSMISSION CONTROL [YM155, YM155D]

Refer. No.	Description	Part No.	Qty/Unit				Inter-change ability	Design-change Mark	Remarks
			YM155	YM155D	YM135	YM135D			
39- 18	O-RING 11-P	24311-000110	2	2		10			
39- 19	SPRING, shift fork	194200-27330	2	2					
	SPRING, shift fork	1A1040-26750	2	2			N		
39- 20	BALL 5/16	1A1120-27770	2	2		10			
	BALL 5/16	24190-100002	2	2			N		
39- 21	COTTER PIN 3 x 25	22417-300250	1	1		10			
39- 22	COTTER PIN 3 x 20	22417-300200	1	1		10			
39- 23	LEVER, low-hi change	194200-27510	2	2					
	LEVER, low-hi change	194200-27510-X	2	2			N		
39- 24	GRIP, lever	193884-30247	2	2					
39- 25	SPRING PIN 6 x 25	22351-060025	2	1		10			
39- 26	SHAFT, low-hi fork	194200-27600	1	1					
	SHAFT, low-hi fork	194340-27600	1	1			S	[4]	
39- 27	FORK, low-hi shift	194200-27610	1	1					
39- 28	O-RING 11-P	24311-000110	1	1		10			
39- 29	CIRCLIP 15-S	22242-000150	2	2		10			
	CIRCLIP 15-S	22242-000150	1	1		10	K	YM155 - from No. 51108 YM155D - from No. 51281	
39- 30	SPRING, low-hi shift fork	194200-27620	1	1					
39- 31	BALL 5/16	1A1120-27770	1	1		10			
	BALL 5/16	24190-100002	1	1			N		
39- 32	COTTER PIN 3 x 20	22417-300200	1	1		10			
39- 33	SPRING WASHER, shift fork	194200-27630	1	1		10			
39- 34	SHIFTER, low-hi change	194200-27650	1	1					
39- 35	STOPPER, shifter	194200-27680	1	1					
39- 36	O-RING 14-P	24311-000140	1	1		10			
39- 37	BOLT M6 x 14	26116-060142	2	2		10			
	BOLT M6 x 14	26013-060149	2	2			Z		
39- 38	SPRING WASHER 6	22217-060000	2	2		10			
39- 39	LEVER, front P.T.O. change	194210-27701	1						

Fig. 39 TRANSMISSION CONTROL [YM155, YM155D]

Refer. No.	Description	Part No.	Qty/Unit				Inter-change ability	Design-change Mark	Remarks
			YM155	YM155D	YM135	YM135D			
39- 40	GRIP, lever	194210-27550		1					
39- 41	SPRING PIN 6 x 25	22351-060025		1		10			
39- 42	SHAFT, front P.T.O. fork	194210-27750		1					
39- 43	FORK, front P.T.O. shift	194210-27760		1					
39- 44	O-RING 11-P	24311-000110		1		10			
39- 45	SPRING, shift fork	194200-27330		1				In common with 39-56.	
	SPRING, shift fork	1A1040-26750		1			N		
39- 46	BALL 5/16	1A1120-27770		1		10			
	BALL 5/16	24190-100002		1			N		
39- 47	COTTER PIN 3 x 20	22417-300200		1		10			
39- 48	SHIFTER, front P.T.O. change	194210-27780		1					
39- 49	STOPPER, shifter	194200-27680		1				In common with 39-35.	
39- 50	O-RING 14-P	24311-000140		2		10			
39- 51	BOLT M6 x 14	26116-060142		2		10			
	BOLT M6 x 14	26013-060149		2			N		
39- 52	SPRING WASHER 6	22217-060000		2		10	Z		
39- 53	SHAFT, P.T.O. fork	194200-27830		1	1		S	[4]	
	SHAFT, P.T.O. fork	194340-27830		1	1				
39- 54	FORK, P.T.O. shift	194200-27840		1	1				
39- 55	O-RING 11-P	24311-000110		1	1	10			
39- 56	SPRING, shift fork	194200-27330		1	1				
	SPRING, shift fork	1A1040-26750		1	1		N		
39- 57	BALL 5/16	1A1120-27770		1	1	10			
	BALL 5/16	24190-100002		1	1		N		
39- 58	COTTER PIN 3 x 25	22417-300250		1	1	10			
39- 59	SPRING WASHER, shift fork	194200-27630		1	1				
39- 60	SHIFTER, P.T.O. change	194200-27860		1	1				

Fig. 39 TRANSMISSION CONTROL [YM155,YM155D]

Refer. No.	Description	Part No.	Q'ty/Unit			Sales Unit	Inter-change ability	Design-change Mark	Remarks
			YM155	YM155D	YM135				
39- 61	GUIDE w/LABEL, P.T.O. change lever	194200-27890	1	1					
	GUIDE w/LABEL, P.T.O. change lever	194340-27890	1	1			N	[1]	
	GUIDE w/LABEL, P.T.O. change lever	194340-27891	1	1			S	[4]	
	GUIDE w/LABEL, P.T.O. change lever	194340-27891	1	1			Z		
39- 62	.GUIDE, P.T.O. change lever	194200-27900	1	1					
39- 63	.LABEL, P.T.O. speed change	194340-65673	1	1					
	.LABEL, P.T.O. speed change	194340-65674	1	1			N	[1]	
	.LABEL, P.T.O. speed change	194340-65675	1	1			S	[4]	
	.LABEL, P.T.O. speed change	194340-65675	1	1			Z		
39- 64	O-RING 14-P	24311-000140	1	1		10			
39- 65	BOLT M6 x 14	26116-060142	2	2		10			
	BOLT M6 x 14	26013-060149	2	2			N		
39- 66	SPRING WASHER 6	22217-060000	2	2		10	Z		
39- 67	SPRING PIN 3 x 40	22351-030040	1	1		10	W	[3]	
39- 68	SNAP RING E-12	22272-000120	1	1		10	W	YM155 from No. 51108 YM155D - from No. 51281	
39- 69	SNAP RING E-12	22272-000120	1	1		10	W		

SOUTHERN FARM EQUIPMENT

Fig. 40 TRANSMISSION CONTROL [YM135,YM135D]

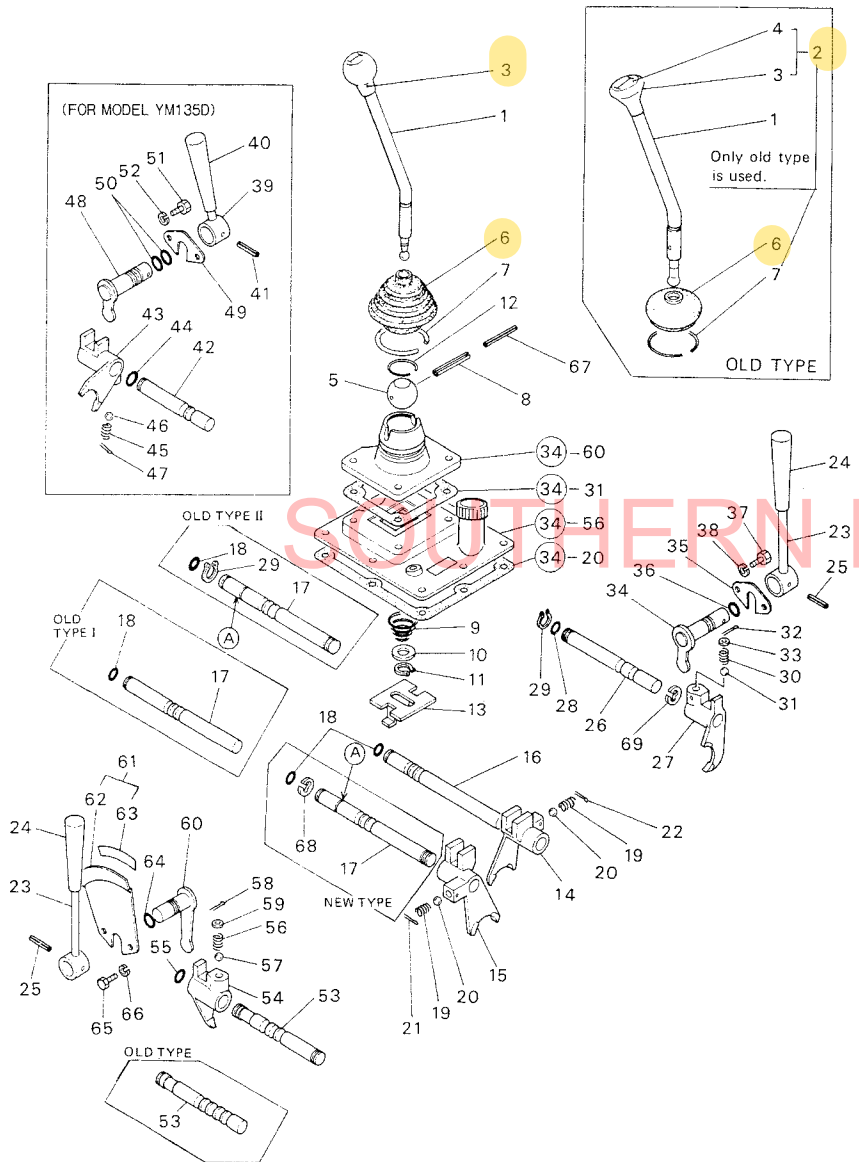


Fig. 40 TRANSMISSION CONTROL [YM135,YM135D]

Refer. No.	Description	Part No.	Qty/Unit			Sales Unit	Inter-changeability	Design-change Mark	Remarks
			YM135	YM135D	YM135				
40- 1	LEVER, main change	194200-27110-X			1	1			
	LEVER, main change	194201-27111-X			1	1	F	[5]	Interchangeable by set with 40-3.
40- 2	KNOB w/LABEL, main change lever	194200-27140			1	1	Z	[5]	
40- 3	.KNOB, main change lever	194200-27150			1	1			
	.KNOB, main change lever	194201-27150			1	1	F	[5]	Interchangeable by set with 40-1.
40- 4	.LABEL, main speed change indication	194200-65700			1	1	Z	[5]	
40- 5	BALL, speed change shifter	1E4030-27340			1	1			
40- 6	BOOT, rubber	1A1040-28180			1	1			
	BOOT, rubber	194201-27170			1	1	N		YM135 from No. 51481 YM135D from No. 51642
40- 7	CIRCLIP 50	1A1040-26190			1	1	10	Z	
40- 8	SPRING PIN 5 x 40	22351-050040			1	1	10		
40- 9	SPRING, change lever	194200-27160			1	1			
40- 10	WASHER 12, plain	22117-120000			1	1	10		
40- 11	CIRCLIP 12	22242-000120			1	1	10		
40- 12	CIRCLIP 30	1A1040-26320			1	1	10		
40- 13	GUIDE, safety	194200-27181			1	1			
40- 14	FORK, reverse/1st speed shift	194200-27310			1	1			
40- 15	FORK, 2nd/3rd speed shift	194200-27320			1	1			
	FORK, 2nd/3rd speed shift	194340-27320			1	1	S	[4]	
40- 16	SHAFT, reverse/1st fork	194200-27350			1	1			
40- 17	SHAFT, 2nd/3rd fork	194200-27360			1	1			
	SHAFT, 2nd/3rd fork, A part groove dia. = 140	194340-27360			1	1	S	[4]	Interchangeable by set with 40-68. Misprint
	SHAFT, 2nd/3rd fork, A part groove dia. = 120	194340-27631			1	1			
	SHAFT, 2nd/3rd fork, A part groove dia. = 120	194340-27361			1	1	F		YM135 from No. 51067 YM135D from No. 51064

Fig. 40 TRANSMISSION CONTROL [YM135,YM135D]

Refer. No.	Description	Part No.	Qty/Unit				Inter-change ability	Design-change Mark	Remarks
			YM155	YM155D	YM135	YM135D			
40- 18	O-RING 11-P	24311-000110			2	2	10		
40- 19	SPRING, shift fork	194200-27330			2	2			
	SPRING, shift fork	1A1040-26750			2	2		N	
40- 20	BALL 5/16	1A1120-27770			2	2	10		
	BALL 5/16	24190-100002			1	1	10	N	
40- 21	COTTER PIN 3 x 25	22417-300250			1	1	10		
40- 22	COTTER PIN 3 x 20	22417-300200			1	1	10		
40- 23	LEVER, low-hi change	194200-27510			2	2			
	LEVER, low-hi change	194200-27510-X			2	2		N	
40- 24	GRIP, lever	193884-30247			2	2			
40- 25	SPRING PIN 6 x 25	22351-060025			2	1	10		
40- 26	SHAFT, low-hi fork	194200-27600			1	1			
	SHAFT, low-hi fork	194340-27600			1	1		S [4]	
40- 27	FORK, low-hi shift	194200-27610			1	1			
40- 28	O-RING 11-P	24311-000110			1	1	10		
40- 29	CIRCLIP 15-S	22242-000150			2	2	10		
	CIRCLIP 15-S	22242-000150			1	1	10	K	YM135 from No. 51067 YM135D from No. 51064
40- 30	SPRING, low-hi shift fork	194200-27620			1	1			
40- 31	BALL 5/16	1A1120-27770			1	1	10		
	BALL 5/16	24190-100002			1	1	10	N	
40- 32	COTTER PIN 3 x 20	22417-300200			1	1	10		
40- 33	SPRING WASHER, shift fork	194200-27630			1	1	10		
40- 34	SHIFTER, low-hi change	194200-27650			1	1			
40- 35	STOPPER, shifter	194200-27680			1	1			
40- 36	O-RING 14-P	24311-000140			1	1	10		
40- 37	BOLT M6 x 14	26116-060142			2	2	10		
	BOLT M6 x 14	26013-060149			2	2	10	N	
40- 38	SPRING WASHER 6	22217-060000			2	2	10		
40- 39	LEVER, front P.T.O. change	194210-27701			1				

Fig. 40 TRANSMISSION CONTROL [YM135,YM135D]

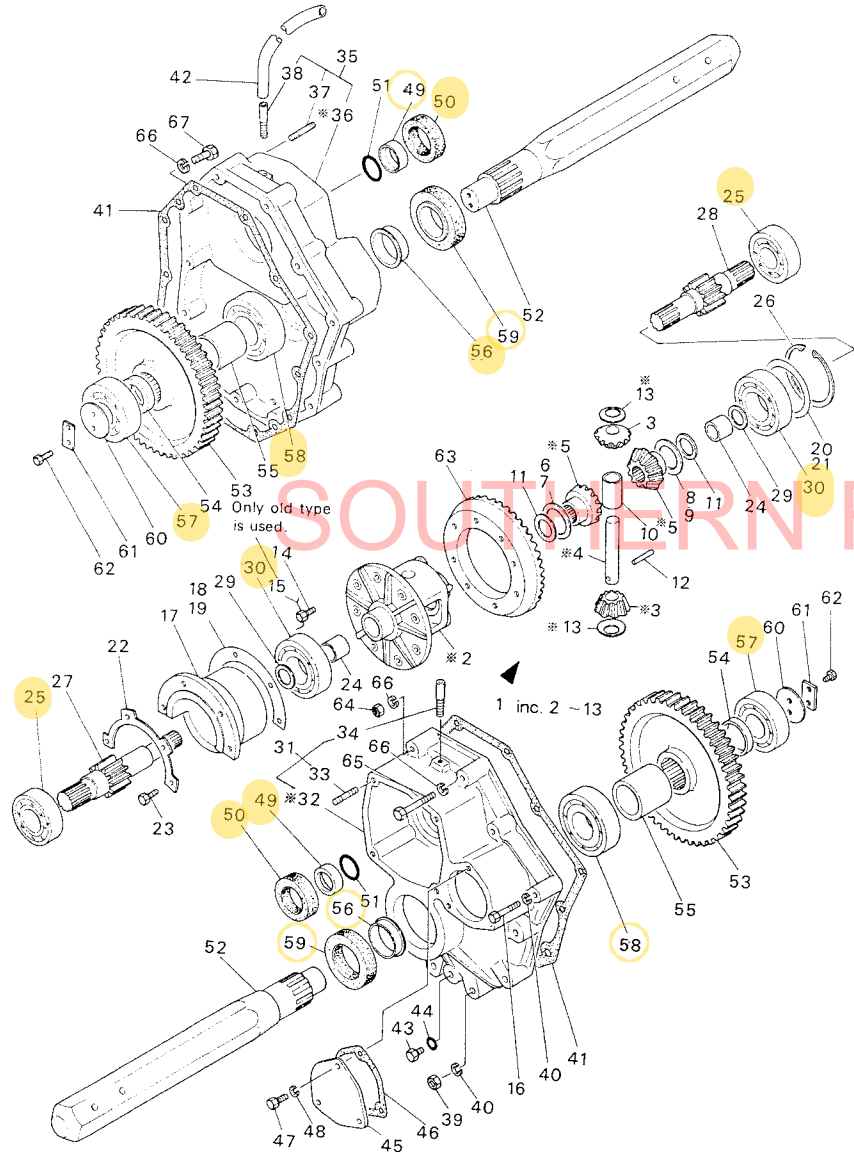
Refer. No.	Description	Part No.	Qty/Unit				Inter-change ability	Design-change Mark	Remarks
			YM155	YM155D	YM135	YM135D			
40- 40	GRIP, lever	194210-27550					1		
40- 41	SPRING PIN 6 x 25	22351-060025					1	10	
40- 42	SHAFT, front P.T.O. fork	194210-27750					1		
40- 43	FORK, front P.T.O. shift	194210-27760					1		
40- 44	O-RING 11-P	24311-000110					1	10	
40- 45	SPRING, shift fork	194200-27330					1		In common with 40-56.
40- 46	BALL 5/16	1A1120-27770					1	10	
	BALL 5/16	24190-100002					1	10	N
40- 47	COTTER PIN 3 x 20	22417-300200					1	10	
40- 48	SHIFTER, front P.T.O. change	194210-27780					1		
40- 49	STOPPER, shifter	194200-27680					1		In common with 40-35.
40- 50	O-RING 14-P	24311-000140					2	10	
40- 51	BOLT M6 x 14	26116-060142					2	10	
	BOLT M6 x 14	26013-060149					2	10	N
40- 52	SPRING WASHER 6	22217-060000					2	10	Z
40- 53	SHAFT, P.T.O. fork	194200-27830					1	1	
	SHAFT, P.T.O. fork	194340-27830					1	1	S [4]
40- 54	FORK, P.T.O. shift	194200-27840					1	1	
40- 55	O-RING 11-P	24311-000110					1	1	10
40- 56	SPRING, shift fork	194200-27330					1	1	
	SPRING, shift fork	1A1040-26750					1	1	N
40- 57	BALL 5/16	1A1120-27770					1	1	10
	BALL 5/16	24190-100002					1	1	10
40- 58	COTTER PIN 3 x 25	22417-300250					1	1	10
40- 59	SPRING WASHER, shift fork	194200-27630					1	1	
40- 60	SHIFTER, P.T.O. change	194200-27860					1	1	

Fig. 40 TRANSMISSION CONTROL [YM135,YM135D]

Refer. No.	Description	Part No.	Q'ty/Unit				Sales Unit	Inter-change ability	Design-change Mark	Remarks
			YM135	YM135D	YM135	YM135D				
40- 61	GUIDE w/LABEL, P.T.O. change lever	194200-27890			1	1				
	GUIDE w/LABEL, P.T.O. change lever	194340-27890			1	1	N	[1]		
	GUIDE w/LABEL, P.T.O. change lever	194340-27891			1	1	S	[4]		
	GUIDE w/LABEL, P.T.O. change lever	194340-27891			1	1	Z			
40- 62	.GUIDE, P.T.O. change lever	194200-27900			1	1				
40- 63	.LABEL, P.T.O. speed change	194340-65673			1	1				
	.LABEL, P.T.O. speed change	194340-65674			1	1	N	[1]		
	.LABEL, P.T.O. speed change	194340-65675			1	1	S	[4]		
	.LABEL, P.T.O. speed change	194340-65675			1	1	Z			
40- 64	O-RING 14-P	24311-000140			1	1	10			
40- 65	BOLT M6 x 14	26116-060142			2	2	10			
	BOLT M6 x 14	26013-060149			2	2	10	N		
40- 66	SPRING WASHER 6	22217-060000			2	2	10	Z		
40- 67	SPRING PIN 3 x 40	22351-030040			1	1	10	W	[3]	
40- 68	SNAP RING E-12	22272-000120			1	1	10	W		YM135 from No. 51067 YM135D from No. 51064
40- 69	SNAP RING E-12	22272-000120			1	1	10	W		

SOUTHERN FARM EQUIPMENT

Fig. 41 REAR AXLE (EXCEPT ENGLAND) [YM155,YM155D]



*MARK PARTS: NOT SOLD SEPARATELY.

Fig. 41 REAR AXLE (EXCEPT ENGLAND) [YM155,YM155D]

Refer. No.	Description	Part No.	Qty/Unit			Sales Unit	Inter-changeability	Design-change Mark	Remarks
			YM155	YM155D	YM155				
41- 1	HOUSING ASS'Y, differential	794200-31550	1	1					In common with 22-36.
	HOUSING ASS'Y, differential	794200-31551	1	1			N		\$ In common with 22-36.
41- 2	.HOUSING, differential 14id	*	1	1					Not Sold Separately.
	.HOUSING, differential 15id	*	1	1			S		\$ Not Sold Separately. (194200-31751)
41- 3	.PINION 10,differential 41.33d	*	2	2					Not Sold Separately.
	.PINION 10,differential 45.16d	*	2	2			S		\$ Not Sold Separately. (194200-31811)
41- 4	.SHAFT, differential pinion, 14d x 85L	*	1	1					Not Sold Separately.
	.SHAFT, differential pinion, 15d x 87L	*	1	1			S		\$ Not Sold Separately. (194200-31821)
41- 5	.GEAR 14, differential side 51.49d	*	2	2					Not Sold Separately.
	.GEAR 14, differential side 56.26d	*	2	2			S		\$ Not Sold Separately. (194200-31831)
41- 6	.SPACER 0.9, differential side gear 42d	194200-31850	-	-		10			
	.SPACER 0.9, differential side gear 49d	194200-31851	-	-		10	S		\$
41- 7	.SPACER 1.0, differential side gear 42d	194200-31860	-	-		10			
	.SPACER 1.0, differential side gear 49d	194200-31861	-	-		10	S		\$
41- 8	.SPACER 1.1, differential side gear 42d	194200-31870	-	-		10			
	.SPACER 1.1, differential side gear 49d	194200-31871	-	-		10	S		\$
41- 9	.SPACER 1.2, differential side gear 42d	194200-31880	-	-		10			
	.SPACER 1.2, differential side gear 49d	194200-31881	-	-		10	S		\$
41- 10	.THRUST COLLAR, differential 14id	194200-31900	1	1					
	.THRUST COLLAR, differential 15id	194200-31901	1	1			S		\$
41- 11	.LINER 22.5 x 30 x 1	194200-31910	2	2					
41- 12	.PIN 4, differential lock	194200-31940	1	1					
41- 13	.LINER,differential pinion 30d	*	2	2			W	[1]	Not Sold Separately.
	.LINER,differential pinion 33d	*	2	2			S		YM155 from No. 51195 YM155D from No.51482 Not Sold Separately. (194200-31931)
		\$: Change effective units							
		YM155 - from No. 51195							
		YM155D - from No. 51482							

Fig. 41 REAR AXLE (EXCEPT ENGLAND) [YM155, YM155D]

Refer. No.	Description	Part No.	Qty/Unit				Sales Unit	Inter-change ability	Design-change Mark	Remarks
			YM155	YM155D	YM135	YM135D				
41- 14	BOLT M8 x 28	26116-080186	8	8			10			
	SEAL BOLT M8 x 18	194201-32150	8	8			10	N	[5]	
41- 15	WIRE 0.8 x 180	194200-32110	1	1			10			
	WIRE 0.8 x 180	194200-32110	1	1			10	Z	[5]	
41- 16	BOLT M12 x 60	26116-120602	2	2			10			
41- 17	CASE, differential bearing	194200-32250	1	1						
41- 18	SHIM 0.1, differential case	194200-32300	-	-			10			
41- 19	SHIM 0.3, differential case	194200-32310	-	-			10			
41- 20	SHIM 72 x 0.1	194200-32330	-	-			10			
41- 21	SHIM 72 x 0.3	194200-32340	-	-			10			
41- 22	STOPPER, bearing case	194200-32370	1	1						
41- 23	BOLT M8 x 25	26116-080252	4	4			10			
41- 24	METAL 22 x 27 x 22.5	194200-32461	2	2						
41- 25	BALL BEARING 6206	24101-062064	2	2						
41- 26	CIRCLIP 72-H	22252-000720	1	1			10			
41- 27	PINION (L), final reduction 45.5d x 175.5L	194200-33411	1	1						
	PINION (L), final reduction	194201-33410	1	1				S	\$	
41- 28	PINION (R), final reduction 45.5d x 137.5L	194200-33421	1	1						
	PINION (R), final reduction	194201-33420	1	1				S	\$	
41- 29	LINER 22.5 x 30 x 1	194200-31910	2	2						
41- 30	BALL BEARING 6207	24101-062074	2	2						

Remarks:

\$-marked parts: Applicable tractor serial number T/#52068 for YM155
T/#56803 for YM155D

Not interchangeable to the original type. However, interchangeable provided PINION (L) (194201-33410) or PINION (R) (194201-33420), WASHER (Refer. No. 47-50 P/#194201-36620), PLATE (Refer. No. 47-15 P/#194201-36610) and BOLT (Refer. No. 47-16 P/#26116-100162) are replace together.

Fig. 41 REAR AXLE (EXCEPT ENGLAND) [YM155, YM155D]

Refer. No.	Description	Part No.	Qty/Unit				Sales Unit	Inter-change ability	Design-change Mark	Remarks
			YM155	YM155D	YM135	YM135D				
41- 31	HOUSING (L) ASS'Y, rear axle	794200-32500	1	1						
	HOUSING (L) ASS'Y, rear axle	794200-32500-X	1	1				N		
41- 32	.HOUSING (L), rear axle	*	1	1				*	Not Sold Separately. (194200-32611)	
41- 33	.STUD M8 x 17	194200-32630	8	8						
	.STUD M8 x 16	26216-080162	4	4				N		
41- 34	.PIPE 6 x 40, beathing	194200-32510	2	2						
41- 35	HOUSING (R) ASS'Y, rear axle	794200-32600	1	1						
	HOUSING (R) ASS'Y, rear axle	794200-32600-X	1	1				N		
41- 36	.HOUSING (R), rear axle	*	1	1				*	Not Sold Separately. (194200-32621)	
41- 37	.STUD M8 x 17	194200-32630	8	8						
	.STUD M8 x 16	26216-080162	4	4				N		
41- 38	.PIPE 6 x 40, beathing	194200-32510	2	2						
41- 39	NUT M12	26716-120002	4	4			10			
41- 40	SPRING WASHER 12	22217-120000	6	6			10			
41- 41	PACKING, rear axle housing	194200-32640	2	2			5			
41- 42	PIPE 5 x 430, breathing	23061-050430	2	2						
	PIPE 5 x 360, breathing	23065-050360	2	2				N	YM155 -T/#52202 YM155D-T/#57449	
41- 43	OIL PLUG 10	1A1040-48070	2	2			10			
41- 44	O-RING 12-P	24311-000120	2	2			10			
41- 45	COVER, rear axle housing	194200-32660	1	1				Z		
41- 46	PACKING, rear axle housing cover	194200-32670	1	1			10	Z	YM155 from No.51095 YM155D from No.51098	
41- 47	BOLT M8 x 20	26116-080202	3	3			10	Z		
41- 48	SPRING WASHER 8	22217-080000	3	3			10	Z		
41- 49	SEAL COLLAR 25 x 35 x 11	194200-33451	2	2						
41- 50	OIL SEAL TC 35 50 8	194200-33460	2	2			10			
41- 51	O-RING 25-P	24311-000250	2	2			10			
41- 52	SHAFT, rear axle	194200-34132	2	2						

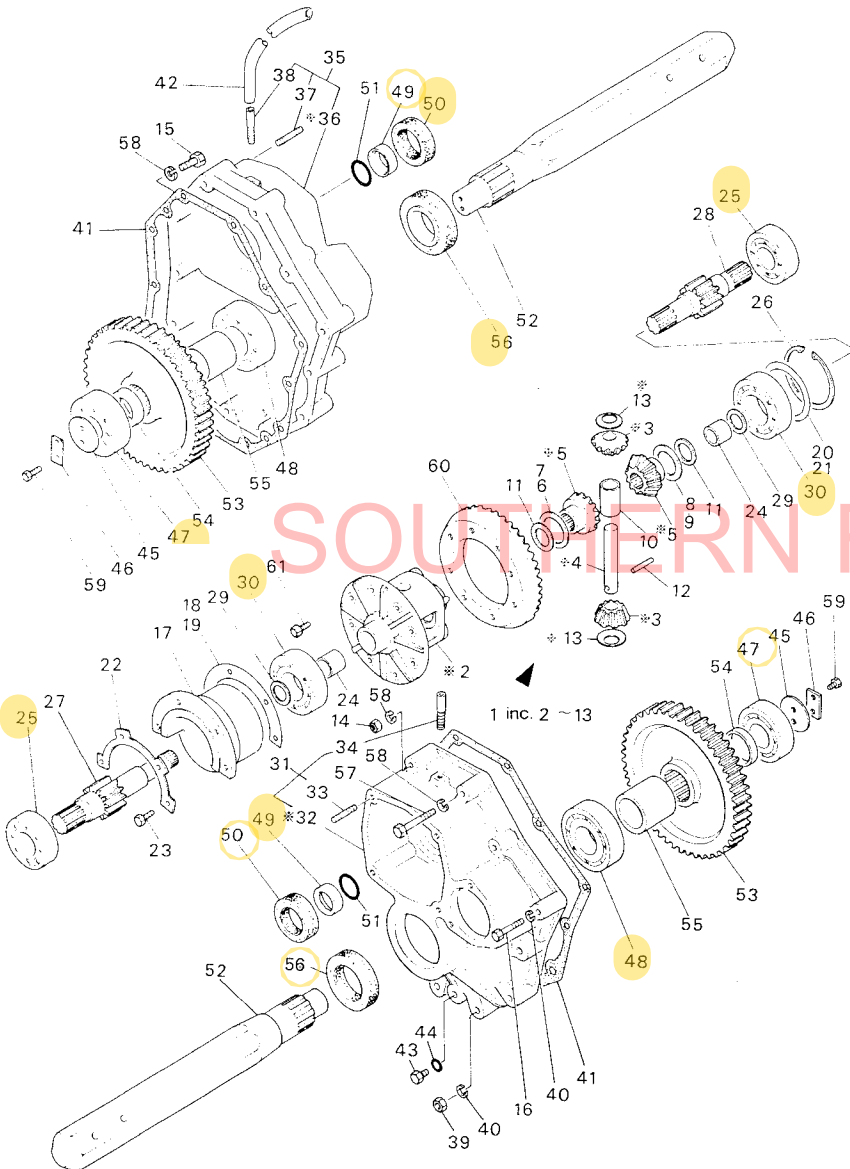
Fig. 41 REAR AXLE (EXCEPT ENGLAND) [YM155, YM155D]

M E M O

Refer. No.	Description	Part No.	Qty/Unit				Sales Unit	Inter-change ability	Design-change Mark	Remarks
			YM155	YM155D	YM135	YM135D				
41- 53	GEAR 52, final reduction	194200-34140	2	2						
41- 54	COLLAR 30.2 x 45 x 10	194200-34360	2	2						
41- 55	COLLAR 40 x 50 x 39	194200-34371	2	2						
41- 56	SLEEVE 45 x 50 x 20	194200-34382	2	2			Z		YM155 from No. 51295 YM155D from No. 52086	
41- 57	BALL BEARING 6306	24101-063064	2	2						
41- 58	BALL BEARING 45 x 80 x 18	194200-34200	2	2						
41- 59	OIL SEAL TC 50 70 10	194200-34411	2	2		10				
	OIL SEAL TC 45 70 12	194200-34412	2	2			F		Interchangeable by set with 41-56. YM155 from No. 51295 YM155D from No. 52086	
41- 60	WASHER, rear axle shaft	194200-34390	2	2						
41- 61	LOCKING 46	194200-34400	2	2						
41- 62	BOLT M8 x 16	26117-080169	4	4		10				
	BOLT M8 x 16	26116-080162	4	4		10	N			
41- 63	GEAR 38, spiral ring	194200-32100	1	1					In common with 22-48.	
41- 64	NUT M10	26716-100002	2	2		10	W		YM155 from No. 50030 YM155D from No. 50304	
41- 65	BOLT M10 x 60	26116-100602	16	16		10				
	BOLT M10 x 60	26116-100602	14	14		10	K		YM155 from No. 50030 YM155D from No. 50304	
41- 66	SPRING WASHER 10	22217-100000	16	16		10				
41- 67	BOLT M10 x 65	26116-100652	2	2		10	W			

SOUTHERN FARM EQUIPMENT

Fig. 42 REAR AXLE (ENGLAND) [YM155, YM155D]



* MARK PARTS: NOT SOLD SEPARATELY.

Fig. 42 REAR AXLE (ENGLAND) [YM155, YM155D]

Refer. No.	Description	Part No.	Qty/Unit			Interchangeability	Design-change Mark	Remarks
			YM155	YM155D	YM135			
42- 1	HOUSING ASS'Y, differential	794200-31551	1	1				\$ In common with 22-36.
42- 2	.HOUSING, differential 15id	*	1	1				\$ Not Sold Separately. (194200-31751)
42- 3	.PINION 10, differential 45.16d	*	2	2				\$ Not Sold Separately. (194200-31811)
42- 4	.SHAFT, differential pinion,	*	1	1				\$ Not Sold Separately. (194200-31821)
42- 5	.GEAR 14, differential side	*	2	2				\$ Not Sold Separately. (194200-31831)
42- 6	.SPACER 0.9, differential side gear 49d	194200-31851	-	-		10		\$
42- 7	.SPACER 1.0, differential side gear 49d	194200-31861	-	-		10		\$
42- 8	.SPACER 1.1, differential side gear 49d	194200-31871	-	-		10		\$ Selective
42- 9	.SPACER 1.2, differential side gear 49d	194200-31881	-	-		10		\$
42- 10	.THRUST COLLAR, differential 15id	194200-31901	1	1				\$
42- 11	.LINER 22.5 x 30 x 1	194200-31910	2	2				
42- 12	.PIN 4, differential lock	194200-31940	1	1				
42- 13	.LINER, differential pinion 33d	*	2	2				Not Sold Separately (194200-31931)
42- 14	NUT M10	26716-100002	2	2		10		
42- 15	BOLT M10 x 65	26116-100652	2	2		10		
42- 16	BOLT M12 x 60	26116-120602	2	2		10		
42- 17	CASE, differential bearing	194200-32250	1	1				
42- 18	SHIM 0.1, differential case	194200-32300	-	-		10		
42- 19	SHIM 0.3, differential case	194200-32310	-	-		10		
42- 20	SHIM 72 x 0.1	194200-32330	-	-		10		In common with 22-51.
42- 21	SHIM 72 x 0.3	194200-32340	-	-		10		In common with 22-52.
\$: Change effective units								
	YM155 - from No. 51195	YM155D - from No. 51482						

Fig. 42 REAR AXLE (ENGLAND) [YM155, YM155D]

Refer. No.	Description	Part No.	Q'ty/Unit				Sales Unit	Inter-changeability	Design-change Mark	Remarks
			YM155	YM155D	YM135	YM135D				
42- 22	STOPPER, bearing case	194200-32370	1	1						
42- 23	BOLT M8 x 25	26116-080252	4	4		10				
42- 24	METAL 22 x 27 x 22.5	194200-32461	2	2						
42- 25	BALL BEARING 6206	24101-062064	2	2						
42- 26	CIRCLIP 72-H	22252-000720	1	1		10				
42- 27	PINION (L), final reduction	194201-33410	1	1				\$		
42- 28	PINION (R), final reduction	194201-33420	1	1				\$		
42- 29	LINER 22.5 x 30 x 1	194200-31910	2	2						
42- 30	BALL BEARING 6207	24101-062074	2	2						
42- 31	HOUSING (L) ASS'Y, rear axle	794200-32500-X	1	1						
42- 32	.HOUSING (L), rear axle	*	1	1		*			Not Sold Separately. (194200-32611)	
42- 33	.STUD M8 x 16	26216-080162	4	4						
42- 34	.PIPE 6 x 40, breathing	194200-32510	2	2						
42- 35	HOUSING (R) ASS'Y, rear axle	194340-32650	1	1						
42- 36	.HOUSING (R), rear axle	*	1	1		*			Not Sold Separately. (194200-32621)	
42- 37	.STUD M8 x 16	26216-080162	4	4						
42- 38	.PIPE 6 x 40, breathing	194200-32510	2	2						
42- 39	NUT M12	26716-120002	4	4		10				
42- 40	SPRING WASHER 12	22217-120000	6	6		10				
42- 41	PACKING, rear axle housing	194200-32640	2	2		5				
42- 42	PIPE 5 x 360, breathing	23065-050360	2	2			N		YM155 from No. 52202 YM155D from No. 57449	
42- 43	OIL PLUG 10	1A1040-48070	2	2		10				
42- 44	O-RING 12-P	24311-000120	2	2		10				
42- 45	WASHER, rear axle shaft	194200-34390	2	2						
42- 46	LOCKING 46	194200-34400	2	2						

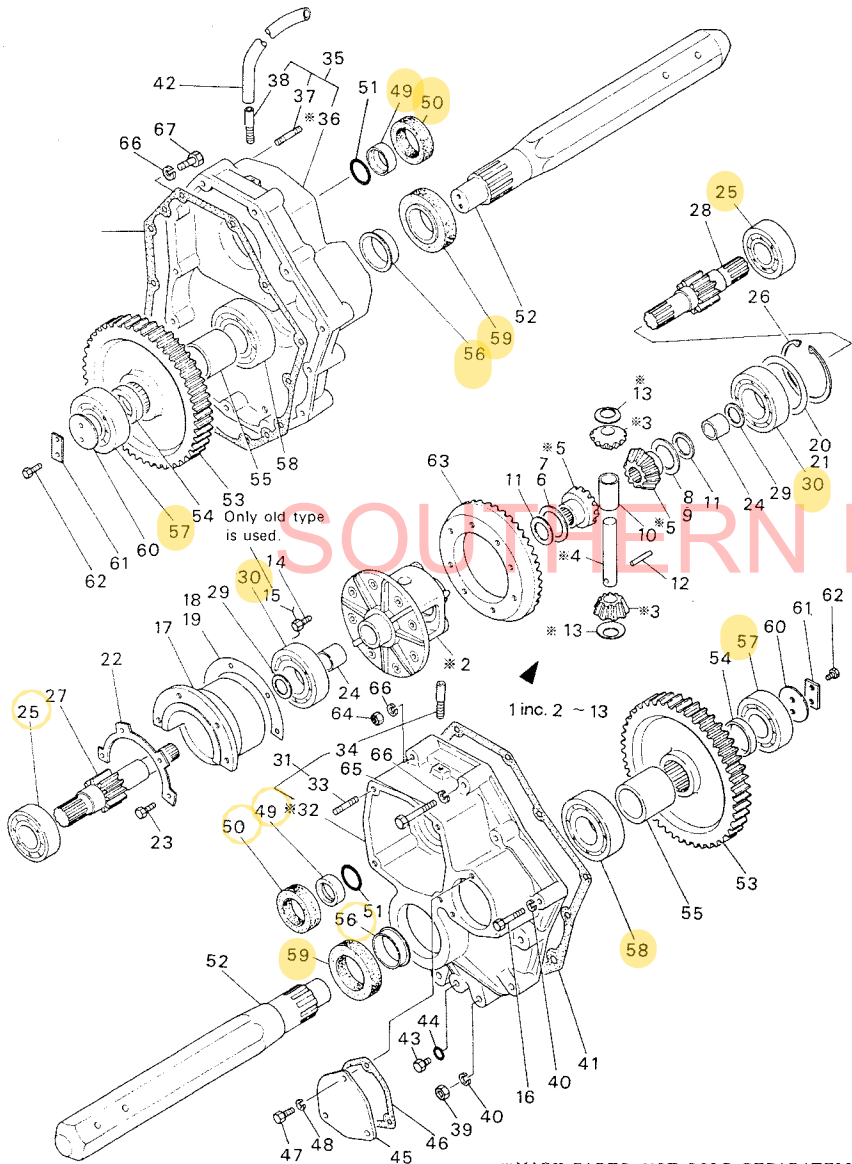
Remarks:
\$-marked parts: Applicable tractor serial number T/#52068 for YM155
T/#56803 for YM155D
Not interchangeable to the original type. However, interchangeable provided PINION (L) (194201-33410) or PINION (R) (194201-33420), WASHER (Refer. No. 47-50 P/#194201-36620), PLATE (Refer. No. 47-15 P/#194201-36610) and BOLT (Refer. No. 47-16 P/#26116-100162) are replace together.

Fig. 42 REAR AXLE (ENGLAND) [YM155, YM155D]

Refer. No.	Description	Part No.	Q'ty/Unit				Sales Unit	Inter-changeability	Design-change Mark	Remarks
			YM155	YM155D	YM135	YM135D				
42- 47	BALL BEARING 6306	24101-063064	2	2						
42- 48	BALL BEARING 45 x 80 x 18	194200-34200	2	2						
42- 49	SEAL COLLAR 25 x 35 x 11	194200-33451	2	2						
42- 50	OIL SEAL TC 35 50 8	194200-33460	2	2		10				
42- 51	O-RING 25-P	24311-000250	2	2		10				
42- 52	SHAFT, rear axle	194200-34132	2	2						
42- 53	GEAR 52, final reduction	194200-34140	2	2						
42- 54	COLLAR 30.2 x 45 x 10	194200-34360	2	2						
42- 55	COLLAR 40 x 50 x 39	194200-34371	2	2						
42- 56	OIL SEAL TC 45 70 12	194200-34412	2	2			P		Interchangeable by set with 42-56. YM155 from No. 51295 YM155D from No. 52086	
42- 57	BOLT M10 x 60	26116-100602	16	16		10				
	BOLT M10 x 60	26116-100602	14	14		10	K		YM155 from No. 50030 YM155D from No. 50304	
42- 58	SPRING WASHER 10	22217-100000	16	16		10				
42- 59	BOLT M8 x 16	26117-080159	4	4		10				
42- 60	GEAR 38, spiral ring	194200-32100	1	1						
42- 61	SEAL BOLT M8 x 18	194201-32150	8	8		10				

Fig. 43 REAR AXLE [YM135,YM135D]

Fig. 43 REAR AXLE [YM135,YM135D]



*MARK PARTS: NOT SOLD SEPARATELY.

Refer. No.	Description	Part No.	Qty/Unit				Interchangeability	Design change Mark	Remarks
			YM155	YM155D	YM135	YM135D			
43- 1	HOUSING ASS'Y, differential	794200-31550			1	1			In common with 22-36.
	HOUSING ASS'Y, differential	794200-31551			1	1	N		\$ In common with 22-36.
43- 2	.HOUSING, differential 14id	*			1	1			Not Sold Separately.
	.HOUSING, differential 15id	*			1	1	S		\$ Not Sold Separately. (194200-31751)
43- 3	.PINION 10,differential 41.33d	*			2	2			Not Sold Separately.
	.PINION 10,differential 45.16d	*			2	2	S		\$ Not Sold Separately. (194200-31811)
43- 4	.SHAFT, differential pinion, 14d x 85L	*			1	1			Not Sold Separately.
	.SHAFT, differential pinion, 15d x 87L	*			1	1	S		\$ Not Sold Separately. (194200-31821)
43- 5	.GEAR 14, differential side 51.49d	*			2	2			Not Sold Separately.
	.GEAR 14, differential side 56.26d	*			2	2	S		\$ Not Sold Separately. (194200-31831)
43- 6	.SPACER 0.9, differential side gear 42d	194200-31850			-	-	10		
	.SPACER 0.9, differential side gear 49d	194200-31851			-	-	10	S	\$
43- 7	.SPACER 1.0, differential side gear 42d	194200-31860			-	-	10		
	.SPACER 1.0, differential side gear 49d	194200-31861			-	-	10	S	\$
43- 8	.SPACER 1.1, differential side gear 42d	194200-31870			-	-	10		Selective
	.SPACER 1.1, differential side gear 49d	194200-31871			-	-	10	S	\$
43- 9	.SPACER 1.2, differential side gear 42d	194200-31880			-	-	10		
	.SPACER 1.2, differential side gear 49d	194200-31881			-	-	10	S	\$
	\$: Change effective units YM135 - from No. 51092								
		YM135D - from No. 51101							

Fig. 43 REAR AXLE [YM135,YM135D]

Refer. No.	Description	Part No.	Qty/Unit			Sales Unit	Interchangeability	Design-change Mark	Remarks
			YM155	YM155D	YM135				
43- 10	.THRUST COLLAR, differential 14id	194200-31900			1	1			
	.THRUST COLLAR, differential 15id	194200-31901			1	1	S	\$	
43- 11	.LINER 22.5 x 30 x 1	194200-31910			2	2			
43- 12	.PIN 4, differential lock	194200-31940			1	1			
43- 13	.LINER,differential pinion 30d	*			2	2	W	[1] Not Sold Separately.	
	.LINER,differential pinion 33d	*			2	2	S	YM135 from No. 51092 YM135D from No. 51101 Not Sold Separately. (194200-31931)	
	\$: Change effective units YM135 - from No. 51092 YM135D - from No. 51101								
43- 14	BOLT M8 x 28	26116-080186			8	8	10		
	SEAL BOLT M8 x 18	194201-32150			8	8	10	N [5]	
43- 15	WIRE 0.8 x 180	194200-32110			1	1	10		
	WIRE 0.8 x 180	194200-32110			1	1	10	Z [5]	
43- 16	BOLT M12 x 60	26116-120602			2	2	10		
43- 17	CASE, differential bearing	194200-32250			1	1			
43- 18	SHIM 0.1, differential case	194200-32300			-	-	10		
43- 19	SHIM 0.3, differential case	194200-32310			-	-	10		
43- 20	SHIM 72 x 0.1	194200-32330			-	-	10		
43- 21	SHIM 72 x 0.3	194200-32340			-	-	10		
43- 22	STOPPER, bearing case	194200-32370			1	1			
43- 23	BOLT M8 x 25	26116-080252			4	4	10		
43- 24	METAL 22 x 27 x 22.5	194200-32461			2	2			
43- 25	BALL BEARING 6206	24101-062064			2	2			
43- 26	CIRCLIP 72-H	22252-000720			1	1	10		
	Not interchangeable to the original type. However, interchangeable provided PINION (L) (194200-33411) or PINION (R) (194262-33420), WASHER (Refer. No. 49-50 P/194200-14171), PLATE (Refer. No. 49-15 P/194200-14160) and BOLT (Refer. No. 49-16 P/26116-080162) are replace together.								

Fig. 43 REAR AXLE [YM135,YM135D]

Refer. No.	Description	Part No.	Qty/Unit				Sales Unit	Interchangeability	Design-change Mark	Remarks
			YM155	YM155D	YM135	YM135D				
43- 27	PINION (L), final reduction 49d x 175.5L	194200-33411			1	1				
43- 28	PINION (R), final reduction 49d x 137.5L	194262-33420			1	1				
43- 29	LINER 22.5 x 30 x 1	194200-31910			2	2				
43- 30	BALL BEARING 6207	24101-062074			2	2				
43- 31	HOUSING (L) ASS'Y, rear axle	794200-32500			1	1				
	HOUSING (L) ASS'Y, rear axle	794200-32500-X			1	1		N		
43- 32	.HOUSING (L), rear axle	*			1	1	*		Not Sold Separately. (194200-32611)	
43- 33	.STUD M8 x 17	194200-32630			8	8				
	.STUD M8 x 16	26216-080162			4	4		N		
43- 34	.PIPE 6 x 40, breathing	194200-32510			2	2				
43- 35	HOUSING (R) ASS'Y, rear axle	794200-32600			1	1				
	HOUSING (R) ASS'Y, rear axle	794200-32600-X			1	1		N		
43- 36	.HOUSING (R), rear axle	*			1	1	*		Not Sold Separately. (194200-32621)	
43- 37	.STUD M8 x 17	194200-32630			8	8				
	.STUD M8 x 16	26216-080162			4	4		N		
43- 38	.PIPE 6 x 40, breathing	194200-32510			2	2				
43- 39	NUT M12	26716-120002			4	4	10			
43- 40	SPRING WASHER 12	22217-120000			6	6	10			
43- 41	PACKING, rear axle housing	194200-32640			2	2	5			
43- 42	PIPE 5 x 430, breathing	23061-050430			2	2				
43- 43	OIL PLUG 10	1A1040-48070			2	2	10			
43- 44	O-RING 12-P	24311-000120			2	2	10			
43- 45	COVER, rear axle housing	194200-32660			1	1		Z	In common with 43-2.	
43- 46	PACKING, rear axle housing cover	194200-32670			1	1	10	Z	YM135 from No. 51015 YM135D from No. 51107	
43- 47	BOLT M8 x 20	26116-080202			3	3	10	Z		
43- 48	SPRING WASHER 8	22217-080000			3	3	10	Z		

Fig. 43 REAR AXLE [YM135,YM135D]

M E M O

Refer. No.	Description	Part No.	Qty/Unit			Sales Unit	Interchangeability	Design-change Mark	Remarks
			YM155	YM155D	YM135				
43- 49	SEAL COLLAR 25 x 35 x 11	194200-33451			2	2			
43- 50	OIL SEAL TC 35 50 8	194200-33460			2	2	10		
43- 51	O-RING 25-P	24311-000250			2	2	10		
43- 52	SHAFT, rear axle	194262-34130			2	2			
43- 53	GEAR 51, final reduction	194262-34140			2	2			
43- 54	COLLAR 30.2 x 45 x 10	194200-34360			2	2			
43- 55	COLLAR 40 x 50 x 39	194200-34371			2	2			
43- 56	SLEEVE 45 x 50 x 20	194200-34382			2	2	Z	YM135 from No. 51158 YM135D from No. 51189	
43- 57	BALL BEARING 6306	24101-063064			2	2			
43- 58	BALL BEARING 45 x 80 x 18	194200-34200			2	2			
43- 59	OIL SEAL TC 50 70 10	194200-34411			2	2	10		
	OIL SEAL TC 45 70 12	194200-34412			2	2	F	Interchangeable by set with 43-56. YM135 from No. 51158 YM135D from No. 51189	
43- 60	WASHER, rear axle shaft	194200-34390			2	2			
43- 61	LOCKING 46	194200-34400			2	2			
43- 62	BOLT M8 x 16	26117-080169			4	4	10		
	BOLT M8 x 16	26116-080169			4	4	10	N	
43- 63	GEAR 38, spiral ring	194200-32100			1	1			
43- 64	NUT M10	26716-100002			2	2	10	W	
43- 65	BOLT M10 x 60	26116-100602			16	16	10		
	BOLT M10 x 60	26116-100602			14	14	10	K	
43- 66	SPRING WASHER 10	22217-100000			16	16	10		
43- 67	BOLT M10 x 65	26116-100652			2	2	10	W	

SOUTHERN FARM EQUIPMENT

Fig. 44 DIFFERENTIAL LOCK (EXCEPT ENGLAND) [YM155, YM155D]

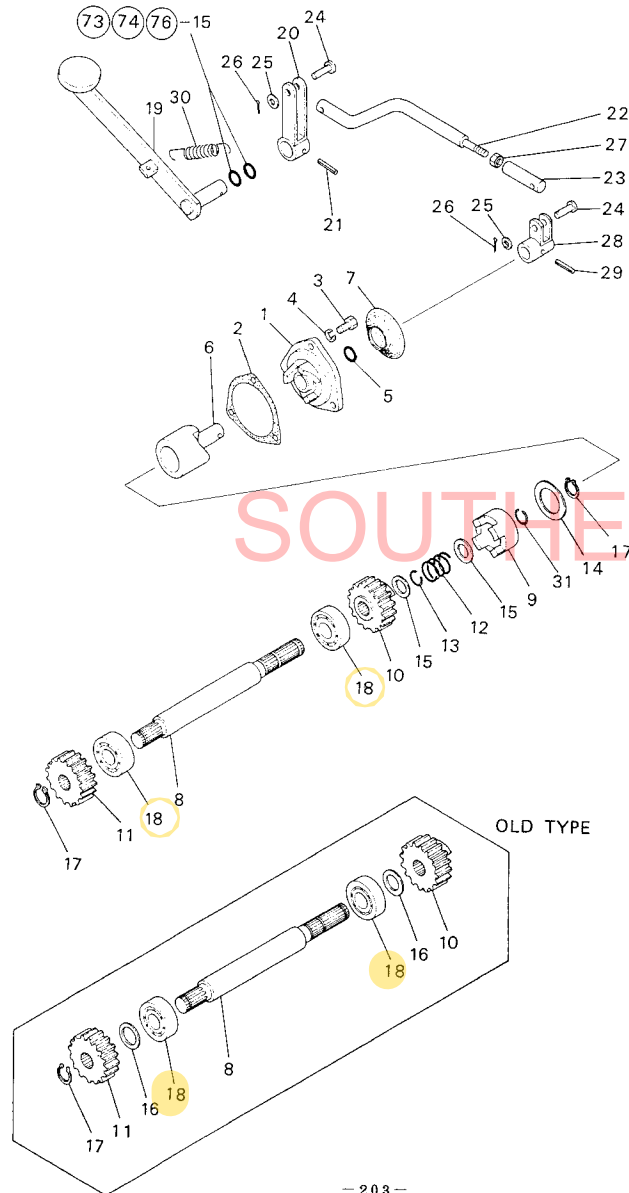


Fig. 44 DIFFERENTIAL LOCK (EXCEPT ENGLAND) [YM155, YM155D]

Refer. No.	Description	Part No.	Q'ty/Unit			Sales Unit	Inter-changeability	Design-change Mark	Remarks
			YM155	YM155D	YM135				
44- 1	COVER, differential lock cam	194200-35100	1	1					
44- 2	PACKING, rear axle housing cover	194200-32670	1	1		10			
44- 3	BOLT M8 x 25	26116-080252	3	3		10			
	BOLT M8 x 25	26013-080252	3	3		10	N		
44- 4	SPRING WASHER 8	22217-080000	3	3		10	Z		
44- 5	O-RING 16-P	24311-000160	1	1		10			
44- 6	CAM, differential lock	194200-35130-X	1	1					
44- 7	BOOT, cam cover	194200-35180	1	1					
44- 8	SHAFT, differential lock	194200-35250	1	1					
44- 9	CLUTCH, differential lock	194200-35271	1	1					
44- 10	GEAR 14, differential lock clutch	194200-35280	1	1					
	GEAR 14, differential lock clutch	194200-35281	1	1			F	[4]	Interchangeable by set with 44-16.
44- 11	GEAR 14, differential lock shaft	194200-35290	1	1					
	GEAR 14, differential lock shaft	194200-35291	1	1			F	[4]	Interchangeable by set with 44-16.
44- 12	SPRING, differential lock	194200-35310	1	1					
44- 13	RING, differential lock shaft	194200-35320	1	1					
44- 14	LINER 30.5 x 46 x 1.5	194200-35340	1	1					
44- 15	LINER 20.5 x 29 x 1.5	194200-35350	2	2					
44- 16	LINER 20 x 35 x 1	1A1040-23220	2	2			Z	[4]	
44- 17	CIRCLIP 20-S	22242-000200	2	2		10			
44- 18	BALL BEARING 6204	24101-062044	2	2					
44- 19	PEDAL, differential lock	194200-35400-X	1	1					
44- 20	ARM (A), differential lock	194200-35470	1	1					
44- 21	SPRING PIN 6 x 32	22351-060032	1	1		10			

Fig. 44 DIFFERENTIAL LOCK (EXCEPT ENGLAND) [YM155, YM155D]

Refer. No.	Description	Part No.	Q'ty/Unit				Sales Unit	Inter-change ability	Design-change Mark	Remarks
			YM155	YM155D	YM155	YM155D				
44- 22	ROD, differential lock	194200-35500	1	1						
44- 23	JOINT, differential lock rod	194200-35510	1	1						
44- 24	PIN 8 x 28	194200-35610	2	2						
44- 25	WASHER 8, plain	22117-080000	2	2		10				
44- 26	COTTER PIN 2 x 20	22417-200200	2	2		10				
	COTTER PIN 2 x 15	22417-200150	2	2		10	N			
44- 27	NUT M10	26716-100002	1	1		10				
44- 28	ARM (B), differential lock	194200-35550	1	1						
44- 29	SPRING PIN 6 x 28	22351-060028	1	1		10				
44- 30	SPRING, differential	194200-35600	1	1						
	lock pedal return									
44- 31	RING, differential lock clutch	194200-35330	1	1						

SOUTHERN FARM EQUIPMENT

Fig. 45 DIFFERENTIAL LOCK (ENGLAND) [YM155,YM155D]

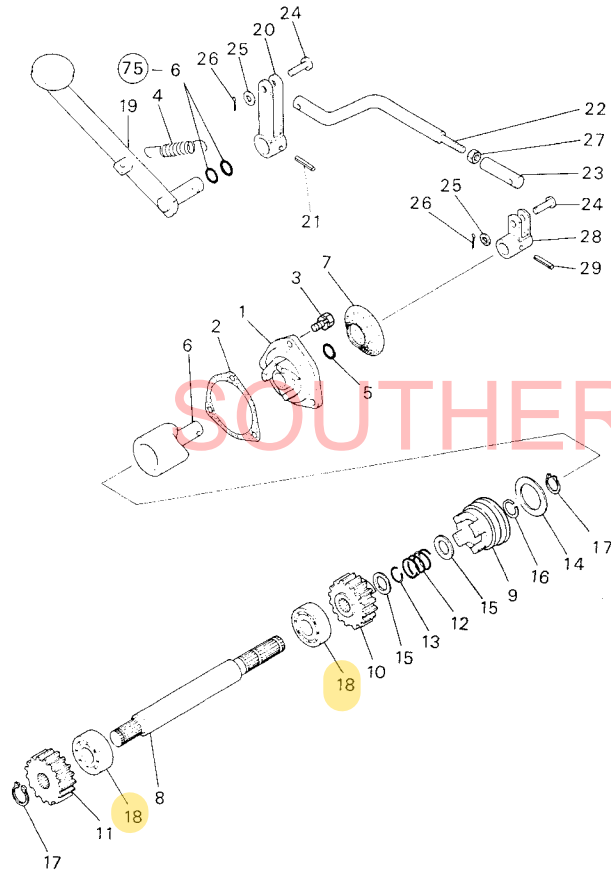


Fig. 45 DIFFERENTIAL LOCK (ENGLAND) [YM155,YM155D]

Refer. No.	Description	Part No.	Qty/Unit				Inter-changeability	Design-change Mark	Remarks
			YM155	YM155D	YM155	YM155D			
45- 1	COVER, differential lock cam	194200-35100	1	1					
45- 2	PACKING, rear axle housing cover	194200-32670	1	1		10			
45- 3	BOLT M8 x 25	26013-080252	3	3		10			
45- 4	SPRING, differential lock pedal return	194200-35600	1	1					
45- 5	O-RING 16-P	24311-000160	1	1		10			
45- 6	CAM, differential lock	194200-35130-X	1	1					
45- 7	BOOT, cam cover	194200-35180	1	1					
45- 8	SHAFT, differential lock	194200-35250	1	1					
45- 9	CLUTCH, differential lock	194340-33110	1	1					
45- 10	GEAR 14, differential lock clutch	194200-35281	1	1			F	[4] Interchangeable by set with 45-16.	
45- 11	GEAR 14, differential lock shaft	194200-35291	1	1			F	[4] Interchangeable by set with 45-16.	
45- 12	SPRING, differential lock	194200-35310	1	1					
45- 13	RING, differential lock shaft	194200-35320	1	1					
45- 14	LINER 30.5 x 46 x 1.5	194200-35340	1	1					
45- 15	LINER 20.5 x 29 x 1.5	194200-35350	2	2					
45- 16	RING, differential lock clutch	194200-35330	1	1					
45- 17	CIRCLIP 20-S	22242-000200	2	2		10			
45- 18	BALL BEARING 6204	24101-062044	2	2					
45- 19	PEDAL, differential lock	194200-35400-X	1	1					
45- 20	ARM (A), differential lock	194200-35470	1	1					
45- 21	SPRING PIN 6 x 32	22351-060032	1	1		10			
45- 22	ROD, differential lock	194200-35500	1	1					
45- 23	JOINT, differential lock rod	194200-35510	1	1					
45- 24	PIN 8 x 28	194200-35610	2	2					
45- 25	WASHER 8, plain	22117-080000	2	2		10			
45- 26	COTTER PIN 2 x 15	22417-200150	2	2		10			
45- 27	NUT M10	26716-100002	1	1		10			
45- 28	ARM (B), differential lock	194200-35550	1	1					
45- 29	SPRING PIN 6 x 28	22351-060028	1	1		10			

Fig. 46 DIFFERENTIAL LOCK [YM135,YM135D]

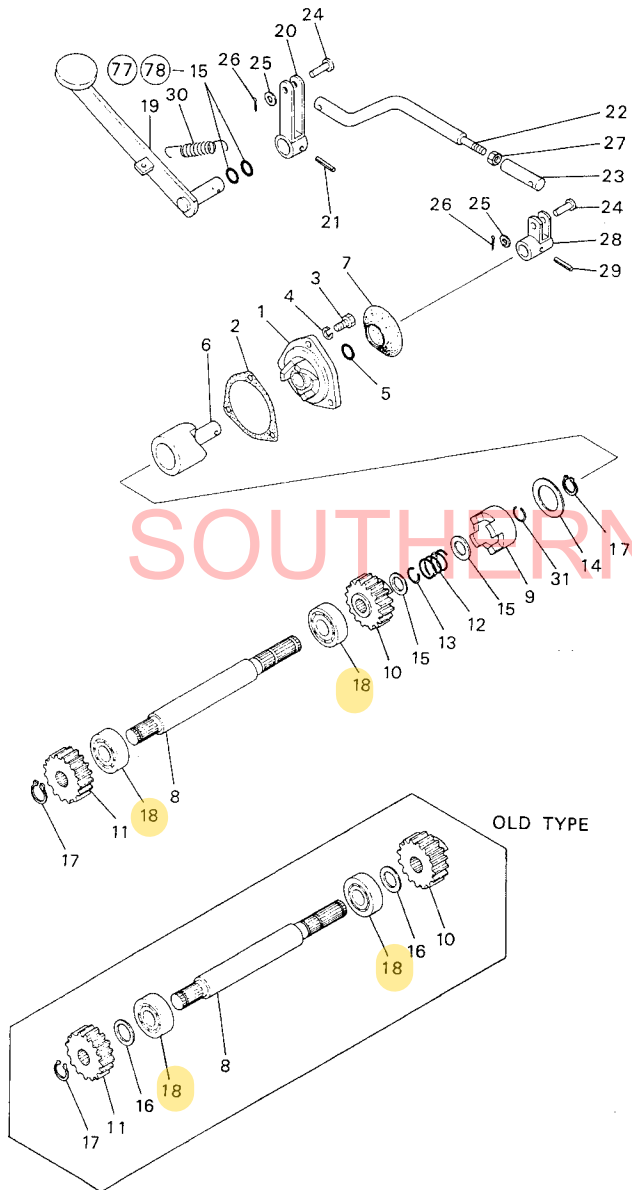


Fig. 46 DIFFERENTIAL LOCK [YM135,YM135D]

Refer. No.	Description	Part No.	Qty/Unit				Sales Unit	Inter-changeability	Design-change Mark	Remarks
			YM155	YM155D	YM135	YM135D				
46- 1	COVER, differential lock cam	194200-35100			1	1				
46- 2	PACKING, rear axle housing cover	194200-32670			1	1	10			
46- 3	BOLT M8 x 25	26116-080252			3	3	10			
46- 4	SPRING WASHER 8	22217-080000			3	3	10			
46- 5	O-RING 16-P	24311-000160			1	1	10			
46- 6	CAM, differential lock	194200-35130-X			1	1				
46- 7	BOOT, cam cover	194200-35180			1	1				
46- 8	SHAFT, differential lock	194200-35250			1	1				
46- 9	CLUTCH, differential lock	194200-35271			1	1				
46- 10	GEAR 15, differential lock clutch	194262-35280			1	1				
	GEAR 15, differential lock clutch	194262-35281			1	1		F	[4] Interchangeable by set with 46-16.	
46- 11	GEAR 15, differential lock shaft	194262-35290			1	1				
	GEAR 15, differential lock shaft	194262-35291			1	1		F	[4] Interchangeable by set with 46-16.	
46- 12	SPRING, differential lock	194200-35310			1	1				
46- 13	RING, differential lock shaft	194200-35320			1	1				
46- 14	LINER 30.5 x 46 x 1.5	194200-35340			1	1				
46- 15	LINER 20.5 x 29 x 1.5	194200-35350			2	2				
46- 16	LINER 20 x 35 x 1	1A1040-23220			2	2		Z	[4]	
46- 17	CIRCLIP 20-S	22242-000200			2	2	10			
46- 18	BALL BEARING 6204	24101-062044			2	2				
46- 19	PEDAL, differential lock	194200-35400-X			1	1				
46- 20	ARM (A), differential lock	194200-35470			1	1				
46- 21	SPRING PIN 6 x 32	22351-060032			1	1	10			

Fig. 46 DIFFERENTIAL LOCK [YM135,YM135D]

M E M O

Refer. No.	Description	Part No.	Qty/Unit				Sales Unit	Inter-change ability	Design-change Mark	Remarks
			YM155	YM155D	YM135	YM135D				
46- 22	ROD, differential lock	194200-35500			1	1				
46- 23	JOINT, differential lock rod	194200-35510			1	1				
46- 24	PIN 8 x 28	194200-35610			2	2				
46- 25	WASHER 8, plain	22117-080000			2	2	10			
46- 26	COTTER PIN 2 x 20	22417-200200			2	2	10			
	COTTER PIN 2 x 15	22417-200150			2	2	10	N		
46- 27	NUT M10	26716-100002			1	1	10			
46- 28	ARM (B), differential lock	194200-35550			1	1				
46- 29	SPRING PIN 6 x 28	22351-060028			1	1	10			
46- 30	SPRING, differential lock pedal return	194200-35600			1	1				
46- 31	RING, differential lock clutch	194200-35330			1	1				

SOUTHERN FARM EQUIPMENT

Fig. 47 BRAKES (EXCEPT PORTUGAL) [YM155, YM155D]

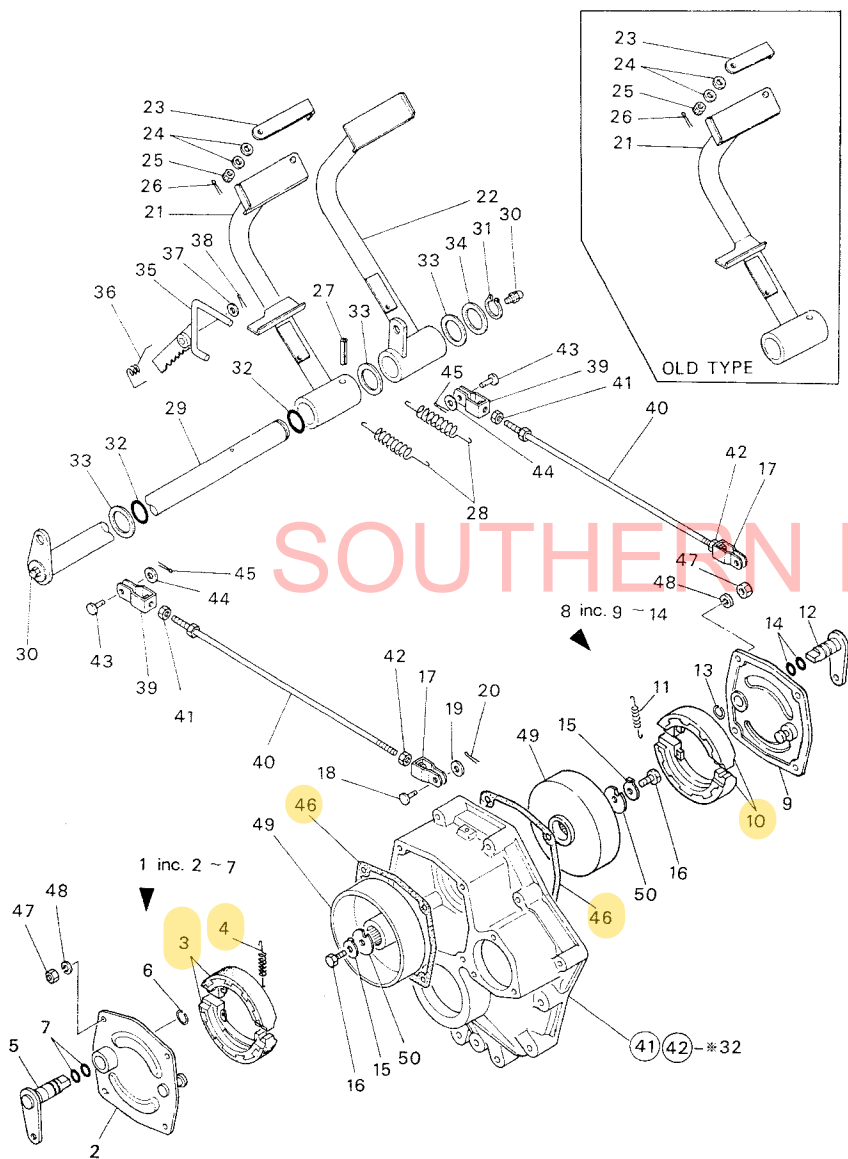


Fig. 47 BRAKES (EXCEPT PORTUGAL) [YM155, YM155D]

Refer. No.	Description	Part No.	Qty./Unit				Sales Unit	Inter-changeability	Design-change Mark	Remarks
			YM155	YM155D	YM155	YM155D				
47- 1	BRAKE (L) ASS'Y	794200-36001-X	1	1						
47- 2	.COVER, brake	194200-36351-X	1	1						
47- 3	.BRAKE SHOE, complete	194200-36512	2	2						
47- 4	.SPRING, brake shoe return	194200-36551	2	2						
47- 5	.CAMSHAFT (L), brake	194200-36701	1	1						
47- 6	.RING, brake camshaft	194200-36790	1	1		10				
47- 7	.O-RING 16-S	194200-36780	2	2		10				
47- 8	BRAKE (R) ASS'Y	794200-36011-X	1	1						
47- 9	.COVER, brake	194200-36351-X	1	1						
47- 10	.BRAKE SHOE, complete	194200-36512	2	2						
47- 11	.SPRING, brake shoe return	194200-36551	2	2						
47- 12	.CAMSHAFT (R), brake	194200-36711-X	1	1						
47- 13	.RING, brake camshaft	194200-36790	1	1		10				
47- 14	.O-RING 16-S	194200-36780	2	2		10				
47- 15	PLATE, lock	194200-14160	2	2						
	PLATE, lock	194201-36610	2	2			S	\$		
47- 16	BOLT M8 x 16	26116-080162	2	2		10			\$	
	BOLT M10 x 16	26116-100162	2	2		10	S	\$		
47- 17	JOINT, brake arm	194200-36740	2	2						
47- 18	PIN 8 x 17.5	194200-37800	2	2						
	PIN 8 x 20.5	194200-37810	2	2				S		
47- 19	WASHER 8, plain	22117-080000	2	2		10				
47- 20	COTTER PIN 2 x 20	22417-200200	2	2		10				
	COTTER PIN 2 x 15	22417-200150	2	2		10	N			

Remarks:
 \$-marked parts: Applicable tractor serial number T/#52068 for YM155
 T/#56803 for YM155D
 Not interchangeable to the original type. However, interchangeable provided PINION (L) (Refer. No. 41-27 P/#194201-33410) or PINION (R) (Refer. No. 41-28 194201-33420), WASHER (194201-36620), PLATE (194201-36610) and BOLT M10 x 16 (26116-100162) are replaced together.

Fig. 47 BRAKES (EXCEPT PORTUGAL) [YM155,YM155D]

Refer. No.	Description	Part No.	Q'ty/Unit				Sales Unit	Inter-changeability	Design-change Mark	Remarks
			YM155	YM155D	YM135	YM135D				
47- 21	PEDAL (L), brake	194200-37302-X	1	1						
	PEDAL (L), brake	194200-37303-X	1	1			F	{3}	Interchangeable by set with 47-22.	
	PEDAL (L), brake	194200-37304-X	1	1			F	{5}	Interchangeable by set with 47-22, 47-23.	
47- 22	PEDAL (R), brake	194200-37400-X	1	1						
	PEDAL (R), brake	194200-37401-X	1	1			F	{3}	Interchangeable by set with 47-21.	
47- 23	CONNECTOR, brake	194200-37350-R	1	1						
	CONNECTOR, brake	194340-37350-R	1	1			F	{5}	Interchangeable by set with 47-21.	
47- 24	SPRING 8, belleville	194200-37390	2	2						
47- 25	CASTLE NUT M8	26817-080002	1	1		10				
47- 26	COTTER PIN 2 x 20	22417-200200	1	1		10				
	COTTER PIN 2 x 18	22417-200180	1	1		10	N			
47- 27	SPRING PIN 8 x 40	22351-080040	1	1		10				
47- 28	SPRING, brake pedal return	194200-37510	2	2						
47- 29	SHAFT, brake pedal	194200-37550	1	1						
47- 30	GREASE NIPPLE A-M6F	24761-010000	2	2		10				
	GREASE NIPPLE A-M6F	24764-010000	2	2			N			
47- 31	CIRCLIP 25-S	22242-000250	1	1		10				
47- 32	O-RING 25-P	24311-000250	2	2		10				
47- 33	LINER 26 x 36 x 2.3	194200-37600	3	3						
47- 34	LINER 26 x 36 x 1	194200-37620	1	1						
47- 35	LEVER, brake pedal lock	194200-37652-X	1	1						
47- 36	SPRING, lock lever return	194200-37690	1	1						
	SPRING, lock lever return	194200-37691	1	1			S		YM155 from No. 51506 YM155D from No. 53372	
	SPRING, lock lever return	194200-37692	1	1			S		YM155 from No. 51506 YM155D from No. 54922	

Fig. 47 BRAKES (EXCEPT PORTUGAL) [YM155,YM155D]

Refer. No.	Description	Part No.	Q'ty/Unit				Sales Unit	Inter-changeability	Design-change Mark	Remarks
			YM155	YM155D	YM135	YM135D				
47- 37	WASHER 12, plain	22117-120000	1	1					10	
47- 38	COTTER PIN 2 x 20	22417-200200	1	1					10	
47- 39	JOINT, brake rod front	194200-37740	2	2						
47- 40	ROD, brake	194200-37770	2	2						
47- 41	LS-NUT M8	194200-37780	2	2					10	
47- 42	NUT M8	26716-080002	2	2					10	
47- 43	PIN 8 x 17.5	194200-37800	2	2					10	
	PIN 8 x 20.5	194200-37810	2	2				N		
47- 44	WASHER 8, plain	22117-080000	2	2					10	
47- 45	COTTER PIN 2 x 20	22417-200200	2	2					10	
	COTTER PIN 2 x 15	22417-200150	2	2					10	
47- 46	PACKING, brake cover	194200-36420	2	2					5	
47- 47	NUT M8	26716-080002	8	8					10	
47- 48	SPRING WASHER 8	22217-080000	8	8					10	
47- 49	DRUM, brake	194200-36571	2	2						
47- 50	WASHER, lock plate	194200-14171	2	2						
	WASHER, lock plate	194201-36620	2	2				S	\$	

Fig. 48 BRAKES (PORTUGAL) [YM155,YM155D]

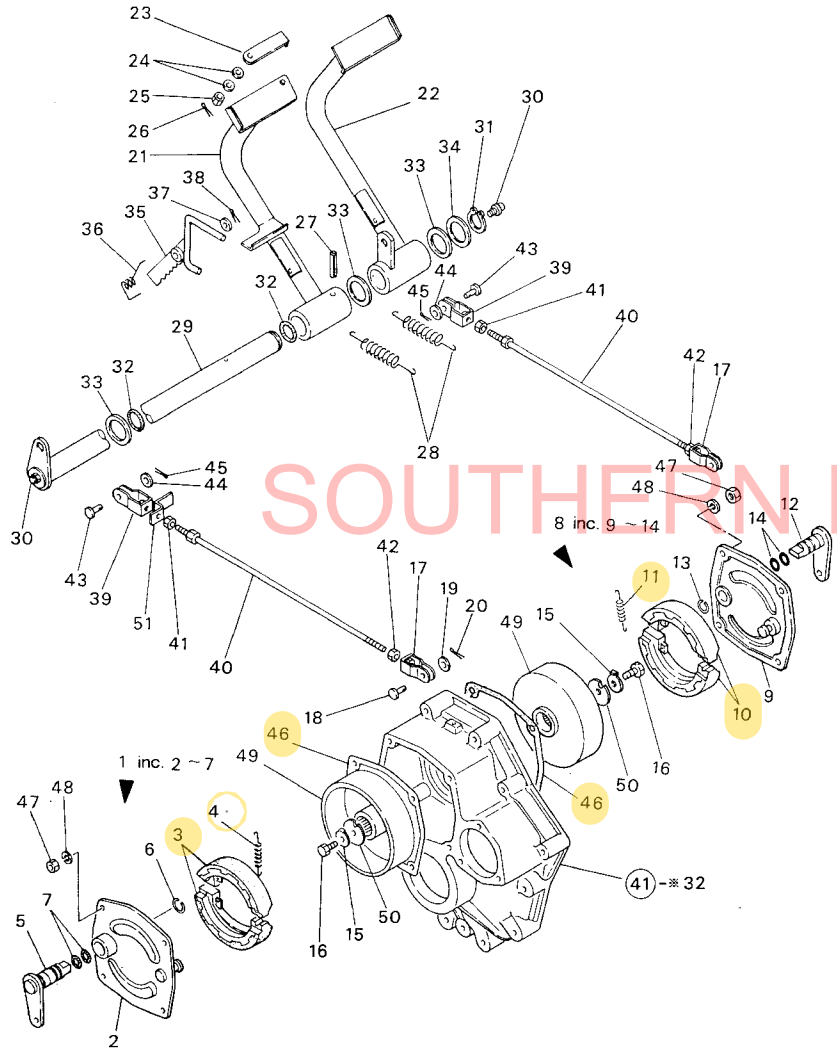


Fig. 48 BRAKES (PORTUGAL) [YM155,YM155D]

Refer. No.	Description	Part No.	Q'ty/Unit				Interchangeability	Design Mark	Remarks
			YM155	YM155D	YM155	YM155D			
48- 1	BRAKE (L) ASS'Y	794200-36001-X	1	1					
48- 2	.COVER, brake	194200-36351-X	1	1					
48- 3	.BRAKE SHOE, complete	194200-36512	2	2					
48- 4	.SPRING, brake shoe return	194200-36551	2	2					
48- 5	.CAMSHAFT (L), brake	194200-36701	1	1					
48- 6	.RING, brake camshaft	194200-36790	1	1		10			
48- 7	.O-RING 16-S	194200-36780	2	2		10			
48- 8	BRAKE (R) ASS'Y	794200-36011-X	1	1					
48- 9	.COVER, brake	194200-36351-X	1	1					
48- 10	.BRAKE SHOE, complete	194200-36512	2	2					
48- 11	.SPRING, brake shoe return	194200-36551	2	2					
48- 12	.CAMSHAFT (R), brake	194200-36711-X	1	1					
48- 13	.RING, brake camshaft	194200-36790	1	1		10			
48- 14	.O-RING 16-S	194200-36780	2	2		10			
48- 15	PLATE, lock	194201-36610	2	2					
48- 16	BOLT M10 x 16	26116-100162	2	2		10			
48- 17	JOINT, brake arm	194200-36740	2	2					
48- 18	PIN 8 x 20.5	194200-37810	2	2					
48- 19	WASHER 8, plain	22117-080000	2	2		10			
48- 20	COTTER PIN 2 x 15	22417-200150	2	2		10			
48- 21	PEDAL (L), brake	194200-37304-X	1	1					
48- 22	PEDAL (R), brake	194200-37401-X	1	1					
Remarks: Not interchangeable to the original type. However, interchangeable provided PINION (L) (Refer. No. 41-27 P/#194201-33410) or PINION (R) (Refer. No. 41-28 194201-33420), WASHER (194201-36620), PLATE (194201-36610) and BOLT M10 x 16 (26116-100162) are replaced together.									

Fig. 48 BRAKES (PORTUGAL) [YM155, YM155D]

M E M O

Refer. No.	Description	Part No.	Q'ty/Unit			Sales Unit	Inter-changeability	Design-change Mark	Remarks
			YM155	YM155D	YM135				
48- 23	CONNECTOR, brake	194340-37350-R	1	1					
48- 24	SPRING 8, belleville	194200-37390	2	2					
48- 25	CASTLE NUT M8	26817-080002	1	1		10			
48- 26	COTTER PIN 2 x 18	22417-200180	1	1		10			
48- 27	SPRING PIN 8 x 40	22351-080040	1	1		10			
48- 28	SPRING, brake pedal return	194200-37510	2	2					
48- 29	SHAFT, brake pedal	194200-37550	1	1					
48- 30	GREASE NIPPLE A-M6F	24764-010000	2	2		10			
48- 31	CIRCLIP 25-S	22242-000250	1	1		10			
48- 32	O-RING 25-P	24311-000250	2	2		10			
48- 33	LINER 26 x 36 x 2.3	194200-37600	3	3					
48- 34	LINER 26 x 36 x 1	194200-37620	1	1					
48- 35	LEVER, brake pedal lock	194200-37652-X	1	1					
48- 36	SPRING, lock lever return	194200-37692	1	1					
48- 37	WASHER 12, plain	22117-120000	1	1		10			
48- 38	COTTER PIN 2 x 20	22417-200200	1	1		10			
48- 39	JOINT, brake rod front	194200-37740	2	2					
48- 40	ROD, brake	194200-37770	2	2					
48- 41	LS-NUT M8	194200-37780	2	2		10			
48- 42	NUT M8	26716-080002	2	2		10			
48- 43	PIN 8 x 20.5	194200-37810	2	2		10			
48- 44	WASHER 8, plain	22117-080000	2	2		10			
48- 45	COTTER PIN 2 x 15	22417-200150	2	2		10			
48- 46	PACKING, brake cover	194200-36420	2	2		5			
48- 47	NUT M8	26716-080002	8	8		10			
48- 48	SPRING WASHER 8	22217-080000	8	8		10			
48- 49	DRUM, brake	194200-36571	2	2					
48- 50	WASHER, lock plate	194201-36620	2	2					
48- 51	PLATE, switch	194340-52330	1	1					

SOUTHERN FARM EQUIPMENT

Fig. 49 BRAKES [YM135,YM135D]

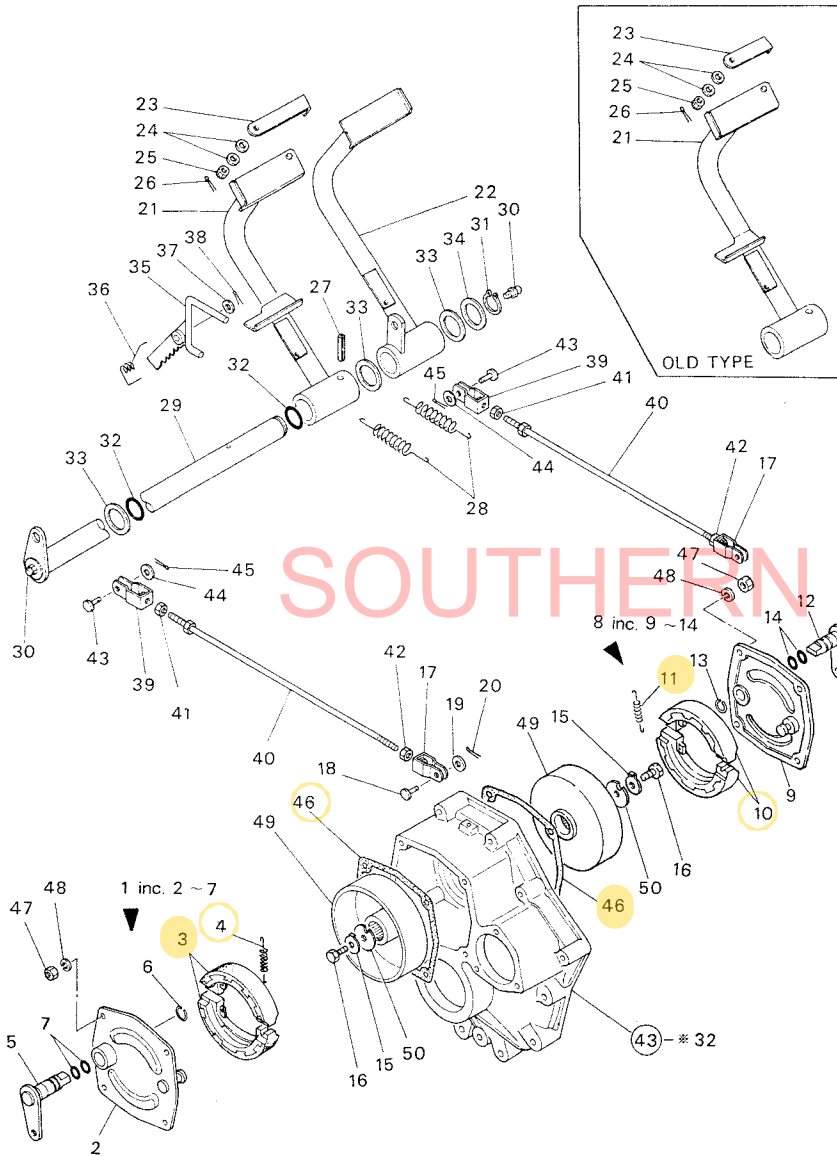


Fig. 49 BRAKES [YM135,YM135D]

Refer. No.	Description	Part No.	Qty/Unit			Sales Unit	Interchangeability	Design Mark	Remarks
			YM155	YM135D	YM135				
49- 1	BRAKE (L) ASS'Y	794200-36001-X			1	1			
49- 2	.COVER, brake	194200-36351-X			1	1			
49- 3	.BRAKE SHOE, complete	194200-36512			2	2			
49- 4	.SPRING, brake shoe return	194200-36551			2	2			
49- 5	.CAMSHAFT (L), brake	194200-36701			1	1			
49- 6	.RING, brake camshaft	194200-36790			1	1	10		
49- 7	.O-RING 16-S	194200-36780			2	2	10		
49- 8	BRAKE (R) ASS'Y	794200-36011-X			1	1			
49- 9	.COVER, brake	194200-36351-X			1	1			
49- 10	.BRAKE SHOE, complete	194200-36512			2	2			
49- 11	.SPRING, brake shoe return	194200-36551			2	2			
49- 12	.CAMSHAFT (R), brake	194200-36711-X			1	1			
49- 13	.RING, brake camshaft	194200-36790			1	1	10		
49- 14	.O-RING 16-S	194200-36780			2	2	10		
49- 15	PLATE, lock	194200-14160			2	2			
49- 16	BOLT M8 x 16	26116-080162			2	2	10		
49- 17	JOINT, brake arm	194200-36740			2	2			
49- 18	PIN 8 x 17.5	194200-37800			2	2			
	PIN 8 x 20.5	194200-37810			2	2			S
49- 19	WASHER 8, plain	22117-080000			2	2	10		
49- 20	COTTER PIN 2 x 20	22417-200200			2	2	10		
	COTTER PIN 2 x 15	22417-200150			2	2	10		N

Remarks:
 Not interchangeable to the original type. However, interchangeable provided PINION (L) (Refer. No. 43-27 P/#194200-33411) or PINION (R) (Refer. No.43-28 194262-33420), WASHER (194200-14171), PLATE (194200-14160) and BOLT M8 x 16 (26116-080162) are replaced together.

Fig. 49 BRAKES [YM135,YM135D]

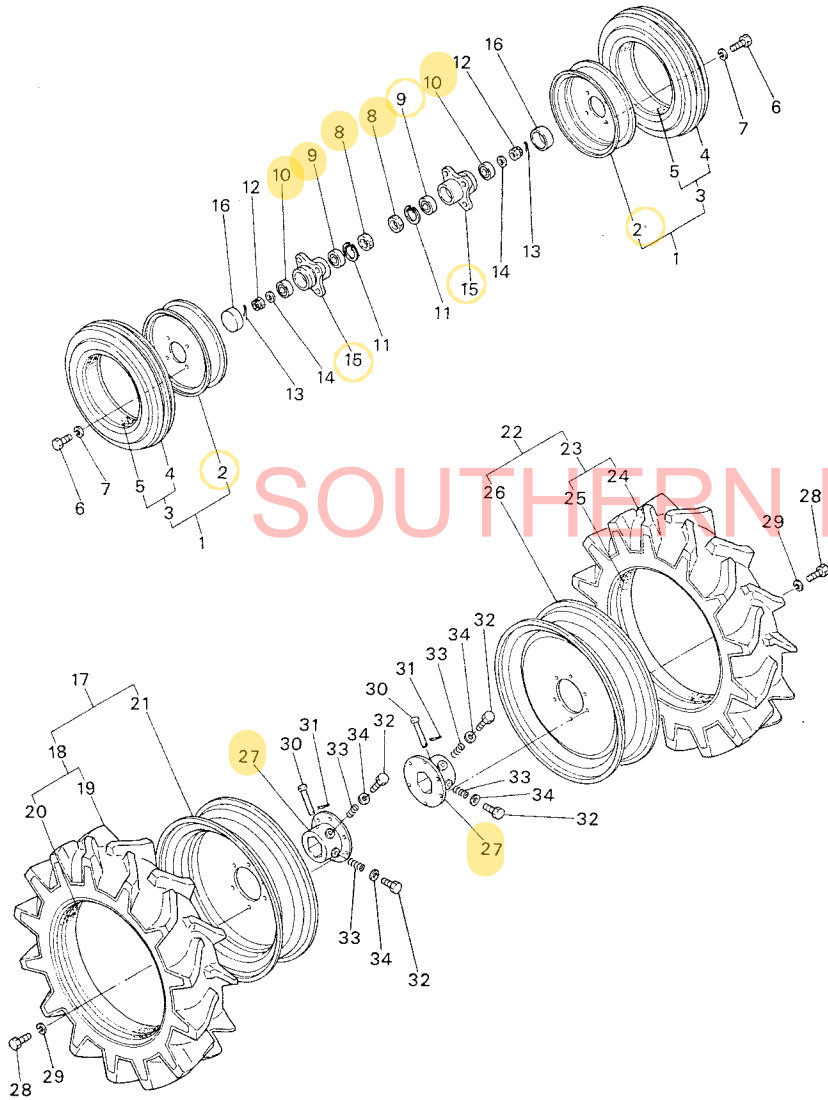
Refer. No.	Description	Part No.	Qty/Unit			Sales Unit	Inter-change ability	Design-change Mark	Remarks
			YM155	YM155D	YM135				
49- 21	PEDAL (L), brake	194200-37302-X			1	1			
	PEDAL (L), brake	194200-37303-X			1	1	F [3]	Interchangeable by set with 49-22.	
	PEDAL (L), brake	194200-37304-X			1	1	F [5]	Interchangeable by set with 49-22, 49-23.	
49- 22	PEDAL (R), brake	194200-37400-X			1	1			
	PEDAL (R), brake	194200-37401-X			1	1	F [3]	Interchangeable by set with 49-21.	
49- 23	CONNECTOR, brake	194200-37350-R			1	1			
	CONNECTOR, brake	194340-37350-R			1	1	F [5]	Interchangeable by set with 49-21.	
49- 24	SPRING 8, belleville	194200-37390			2	2			
49- 25	CASTLE NUT M8	26817-080002			1	1	10		
49- 26	COTTER PIN 2 x 20	22417-200200			1	1	10		
	COTTER PIN 2 x 18	22417-200180			1	1	10	N	
49- 27	SPRING PIN 8 x 40	22351-080040			1	1	10		
49- 28	SPRING, brake pedal return	194200-37510			2	2			
49- 29	SHAFT, brake pedal	194200-37550			1	1			
49- 30	GREASE NIPPLE A-M6F	24761-010000			2	2	10		
	GREASE NIPPLE A-M6F	24764-010000			2	2	10	N	
49- 31	CIRCLIP 25-S	22242-000250			1	1	10		
49- 32	O-RING 25-P	24311-000250			2	2	10		
49- 33	LINER 26 x 36 x 2.3	194200-37600			3	3			
49- 34	LINER 26 x 36 x 1	194200-37620			1	1			
49- 35	LEVER, brake pedal lock	194200-37652-X			1	1			
49- 36	SPRING, lock lever return	194200-37690			1	1			
	SPRING, lock lever return	194200-37691			1	1		S YM135 from No. 51263 YM135D from No. 51305	
	SPRING, lock lever return	194200-37692			1	1		S YM135 from No. 51421 YM135D from No. 51581	

Fig. 49 BRAKES [YM135,YM135D]

Refer. No.	Description	Part No.	Qty/Unit				Sales Unit	Inter-change ability	Design-change Mark	Remarks
			YM155	YM155D	YM135	YM135D				
49- 37	WASHER 12, plain	22117-120000			1	1	10			
49- 38	COTTER PIN 2 x 20	22417-200200			1	1	10			
49- 39	JOINT, brake rod front	194200-37740			2	2				
49- 40	ROD, brake	194200-37770			2	2				
49- 41	LS-NUT M8	194200-37780			2	2	10			
49- 42	NUT M8	26716-080002			2	2	10			
49- 43	PIN 8 x 17.5	194200-37800			2	2			N	
	PIN 8 x 20.5	194200-37810			2	2	10			
49- 44	WASHER 8, plain	22117-080000			2	2	10			
49- 45	COTTER PIN 2 x 20	22417-200200			2	2	10			
	COTTER PIN 2 x 15	22417-200150			2	2	10		N	
49- 46	PACKING, brake cover	194200-36420			2	2	5			
49- 47	NUT M8	26716-080002			8	8	10			
49- 48	SPRING WASHER 8	22217-080000			8	8	10			
49- 49	DRUM, brake	194200-36571			2	2				
49- 50	WASHER, lock plate	194200-14171			2	2				

Fig. 50 FRONT & REAR TIRES (U.S.A. & S.AFRICA) [YM155]

Fig. 50 FRONT & REAR TIRES (U.S.A. & S.AFRICA) [YM155]



Refer. No.	Description	Part No.	Qty/Unit			Sales Unit	Inter-changeability	Design-change Mark	Remarks
			YM155	YM155D	YM155E				
50- 1	TIRE ASS'Y, front wheel	794200-11850-P	2						
	TIRE ASS'Y, front wheel	794200-11850-Q	2				S	YM155 -T/#52400	
50- 2	.WHEEL 3.508 x 10GA, disc	194200-11880-P	2						
	.WHEEL 3.508 x 10GA, disc	194200-11880-Q	2				S	YM155 -T/#52400	
50- 3	.TIRE ASS'Y 4.50-10, front	194200-11900	2						
50- 4	..TIRE 4.50-10	194200-11910	2						
50- 5	..TUBE, tire	194200-11920	2						
50- 6	BOLT M12 x 25	26116-120252	8			10			
	BOLT M12 x 25	26013-120252	8				N		
50- 7	SPRING WASHER 12	22217-120000	8			10	Z		
50- 8	OIL SEAL TC 35 52 11	194150-12720	2			10			
50- 9	BALL BEARING 6205	24101-062054	2						
50- 10	BALL BEARING 6204	24101-062044	2						
50- 11	CIRCLIP 48-H	22252-000480	2			10		Selective	
	WASHER 42 x 51.8 x 1	194151-11670	2			10			
50- 12	CASTLE NUT M20	26837-200002	2			10			
	CASTLE NUT M20	26877-200002	2				N		
50- 13	COTTER PIN 4 x 40	22417-400400	2			10			
50- 14	WASHER 20, plain	194151-12640	2						
50- 15	HUB, front wheel	194200-11801-P	2						
	HUB, front wheel	194200-11801-Q	2				S	YM115 -T/#52400	
50- 16	COVER, front wheel hub.	194151-12620-X	2						
50- 17	TIRE ASS'Y (L), rear wheel	794340-34810	1						
50- 18	.TIRE ASS'Y, rear	794340-34930	1						
50- 19	..TIRE	194340-34940	1						
50- 20	..TUBE, tire	194200-34950	1						
50- 21	.WHEEL, disc	194200-34960-P	1						
	.WHEEL, disc	194200-34960-Q	1				S	YM155 -T/#52400	

Fig. 50 FRONT & REAR TIRES (U.S.A. & S.AFRICA) [YM155]

M E M O

Refer. No.	Description	Part No.	Q'ty/Unit				Inter-changeability	Design-change Mark	Remarks
			YM155	YM155D	YM135	YM135D			
50- 22	TIRE ASS'Y (R), rear wheel	794340-34820	1						
50- 23	.TIRE ASS'Y, rear	794340-34930	1						
50- 24	..TIRE	194340-34940	1						
50- 25	..TUBE, tire	194200-34950	1						
50- 26	.WHEEL, disc	194200-34960-P	1						
	.WHEEL, disc	194200-34960-Q	1			S		YM155 -T/#52400	
50- 27	HUB, rear wheel	194200-34711	1						
	HUB, rear wheel	194202-34710	2			N			
50- 28	BOLT M12 x 25	26116-120252	12			10			
	BOLT M12 x 25	26013-120252	12			N			
50- 29	SPRING WASHER 12	22217-120000	12			10	Z		
50- 30	PIN 10 x 78, rear wheel hub	194200-34750	2						
50- 31	SNAP PIN 10	22360-100000	2			10			
50- 32	BOLT, flange	1A1040-36010	4						
50- 33	SPRING, flange bolt	1A1040-36040	4						
50- 34	WASHER 16, plain	22117-160000	4			10			

SOUTHERN FARM EQUIPMENT

Fig. 51 FRONT & REAR TIRES (U.S.A. & S.AFRICA) [YM155D]

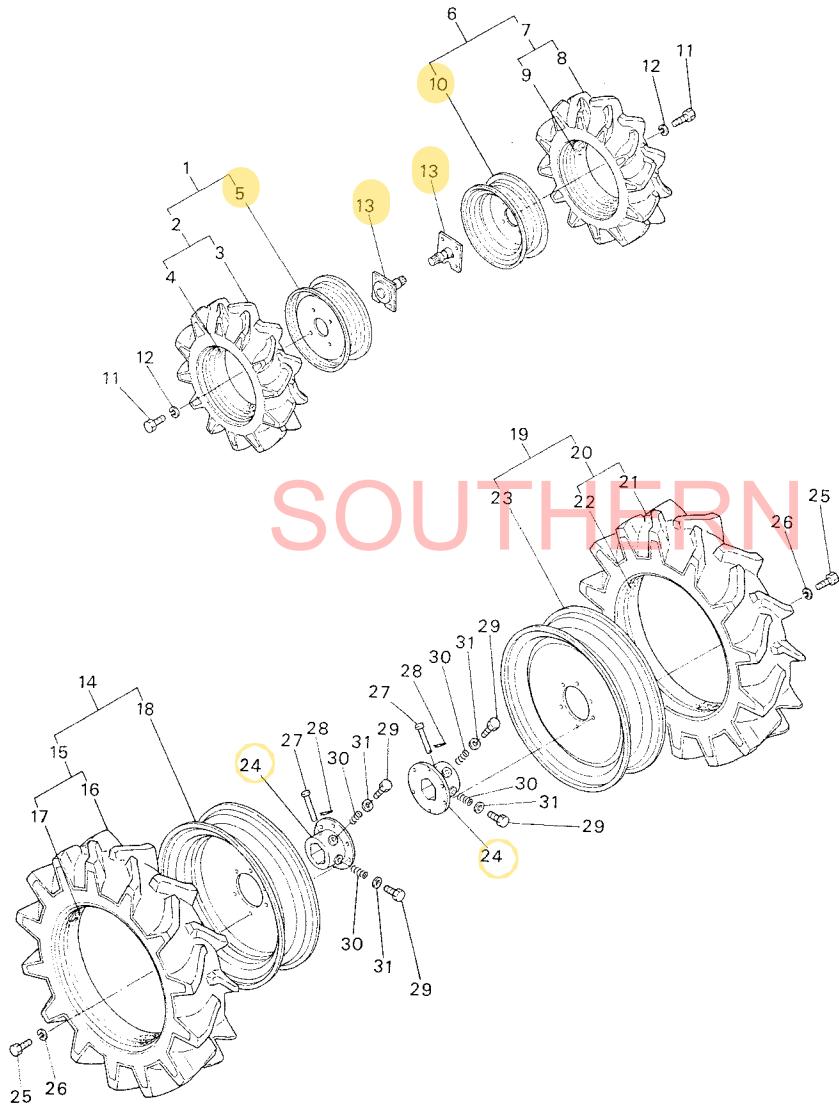


Fig. 51 FRONT & REAR TIRES (U.S.A. & S.AFRICA) [YM155D]

Refer. No.	Description	Part No.	Qty/Unit			Inter-changeability	Design-Mark	Remarks
			YM155	YM155D	YM155S			
51- 1	TIRE ASS'Y (L), front wheel	794210-12910		1				
	TIRE ASS'Y (L), front wheel	794341-12910-P		1		N		
	TIRE ASS'Y (L), front wheel	794341-12910-Q		1		S	YM155D from No. 58304	
51- 2	.TIRE ASS'Y 5-12, front wheel	794210-12930		2				
	.TIRE ASS'Y 5-12, front wheel	794341-12930		2		N		
	.TIRE ASS'Y 5-12, front wheel	194341-12930		1		N		
51- 3	..TIRE 5-12, front wheel	1A1030-34200		1				
	..TIRE 5-12, front wheel	194341-12870		1		N	YM155D from No. 55106	
51- 4	..TUBE 5-12, tire	1A1030-34250		1				
51- 5	.WHEEL 4JA-12, disc	194210-12850-P		1				
	.WHEEL 4JA-12, disc	194210-12850-Q		1		S	YM155D from No. 58304	
51- 6	TIRE ASS'Y (R), front wheel	794210-12920		1				
	TIRE ASS'Y (R), front wheel	794341-12920-P		1		N		
	TIRE ASS'Y (R), front wheel	794341-12920-Q		1		S	YM155D from No. 58304	
51- 7	.TIRE ASS'Y 5-12, front wheel	794210-12930		2				
	.TIRE ASS'Y 5-12, front wheel	794341-12930		2		N		
	.TIRE ASS'Y 5-12, front wheel	194341-12930		1		N		
51- 8	..TIRE 5-12, front wheel	1A1030-34200		1				
	..TIRE 5-12, front wheel	194341-12870		1		N	YM155D from No. 55106	
51- 9	..TUBE 5-12, tire	1A1030-34250		1				
51- 10	.WHEEL 4JA-12, disc	194210-12850-P		1				
	.WHEEL 4JA-12, disc	194210-12850-Q		1		S	YM155D from No. 58304	
51- 11	BOLT M12 x 25	26116-120252		8			10	
	BOLT M12 x 25	26013-120252		8		N		
51- 12	SPRING WASHER 12	22217-120000		8			10	Z
51- 13	SHAFT, front axle	194210-14350		2				
	SHAFT, front axle	194341-14350		2		S		[4]

Fig. 51 FRONT & REAR TIRES (U.S.A & S. AFRICA) [YM155D]

Refer. No.	Description	Part No.	Qty/Unit			Sales Unit	Inter-changeability	Design-change Mark	Remarks
			YM155	YM155D	YM135				
51- 14	TIRE ASS'Y (L), rear wheel	794340-34810		1					
51- 15	.TIRE ASS'Y, rear	794340-34930		1					
51- 16	..TIRE	194340-34940		1					
51- 17	..TUBE, tire	194200-34950		1					
51- 18	.WHEEL, disc	194200-34960-Q		1					
51- 19	TIRE ASS'Y (R), rear wheel	794340-34820		1					
51- 20	.TIRE ASS'Y, rear	794340-34930		1					
51- 21	..TIRE	194340-34940		1					
51- 22	..TUBE, tire	194200-34950		1					
51- 23	.WHEEL, disc	194200-34960-Q		1					
51- 24	HUB, rear wheel	194200-34711		2					
	HUB, rear wheel	194202-34710		2			N		
51- 25	BOLT M12 x 35	26116-120352		12		10			
	BOLT M12 x 35	26013-120352		12		10	N		
51- 26	SPRING WASHER 12	22217-120000		12		10	Z		
51- 27	PIN 10 x 78, rear wheel hub	194200-34750		2					
51- 28	SNAP PIN 10	22360-100000		2		10			
51- 29	BOLT, flange	1A1040-36010		4					
51- 30	SPRING, flange bolt	1A1040-36040		4					
51- 31	WASHER 16, plain	22117-160000		4		10			

Fig. 52 FRONT & REAR TIRES (FRANCE, ENGLAND & PORTUGAL) [YM155]

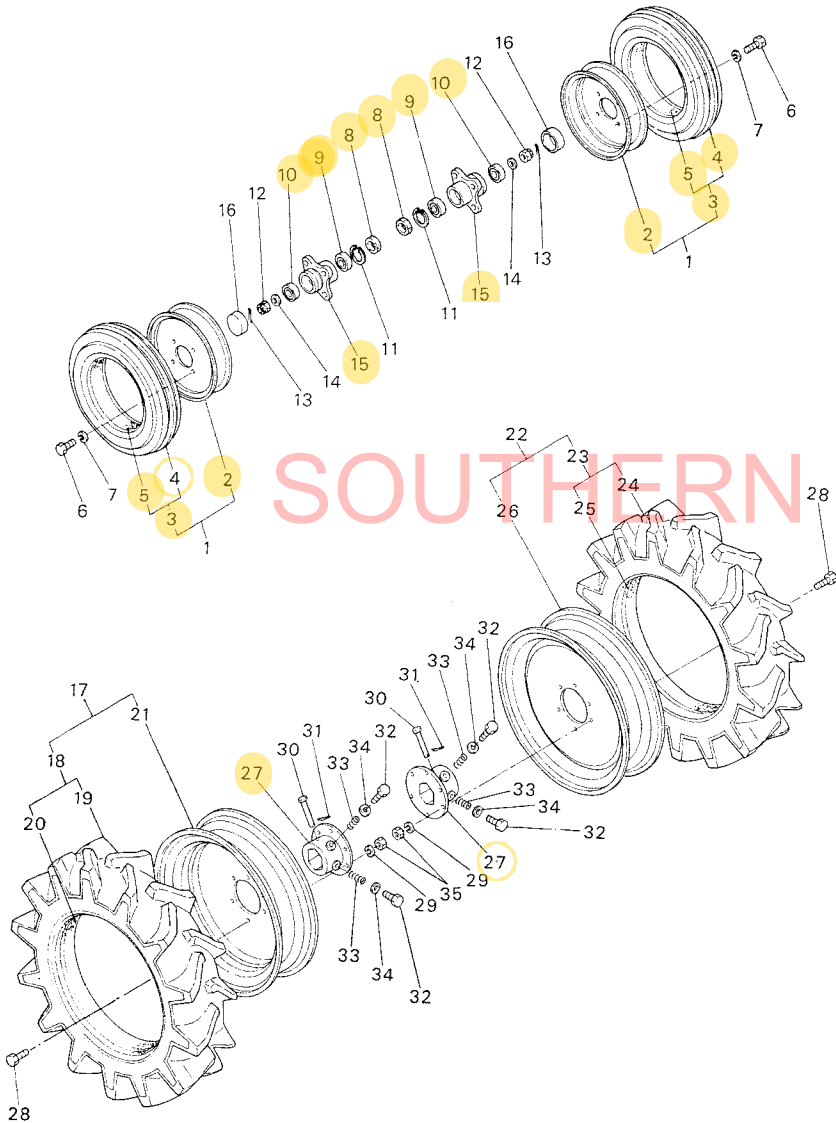


Fig. 52 FRONT & REAR TIRES (FRANCE, ENGLAND & PORTUGAL) [YM155]

Refer. No.	Description	Part No.	Qty/Unit				Inter-changeability	Design-change Mark	Remarks
			YM155	YM155D	YM135	YM135D			
52- 1	TIRE ASS'Y, front wheel	794200-11850-Q	2						
52- 2	.WHEEL 3.50B x 10GA, disc	194200-11880-Q	2						
52- 3	.TIRE ASS'Y 4.50-10, front	194200-11900	2						
52- 4	..TIRE 4.50-10	194200-11910	2						
52- 5	..TUBE, tire	194200-11920	2						
52- 6	BOLT M12 x 25	26116-120252	8			10			
	BOLT M12 x 25	26013-120252	8			10	N		
52- 7	SPRING WASHER 12	22217-120000	8			10	Z		
52- 8	OIL SEAL TC 35 52 11	194150-12720	2			10			
52- 9	BALL BEARING 6205	24101-062054	2						
52- 10	BALL BEARING 6204	24101-062044	2						
52- 11	CIRCLIP 48-H	22252-000480	2			10		Selective	
	WASHER 42 x 51.8 x 1	194151-11670	2			10			
52- 12	CASTLE NUT M20	26837-200002	2			10			
	CASTLE NUT M20	26877-200002	2			10	N		
52- 13	COTTER PIN 4 x 40	22417-400400	2			10			
52- 14	WASHER 20, plain	194151-12640	2						
52- 15	HUB, front wheel	194200-11801-Q	2						
52- 16	COVER, front wheel hub.	194151-12620-X	2						
52- 17	TIRE ASS'Y (L), rear wheel	794340-34810	1						
52- 18	.TIRE ASS'Y, rear	794340-34930	1						
52- 19	..TIRE	194340-34940	1						
52- 20	..TUBE, tire	194200-34950	1						
52- 21	.WHEEL, disc	194200-34960-Q	1						

Fig. 52 FRONT & REAR TIRES (FRANCE, ENGLAND & PORTUGAL) {YM155}

MEMO

Refer. No.	Description	Part No.	Qty/Unit			Sales Unit	Inter-change ability	Design-change Mark	Remarks
			YM155	YM155D	YM135				
52- 22	TIRE ASS'Y (R), rear wheel	794340-34820	1						
52- 23	.TIRE ASS'Y, rear	794340-34930	1						
52- 24	..TIRE	194340-34940	1						
52- 25	..TUBE, tire	194200-34950	1						
52- 26	.WHEEL, disc	194200-34960-Q	1						
52- 27	HUB, rear wheel	194200-34711	1						
	HUB, rear wheel	194202-34710	2				N		
52- 28	BOLT M12 x 35	26116-120352	12			10			
	BOLT M12 x 35	26013-120352	12			10	N		
52- 29	SPRING WASHER 12	22217-120000	12			10	Z		
52- 30	PIN 10 x 78, rear wheel hub	194200-34750	2						
52- 31	SNAP PIN 10	22360-100000	2			10			
52- 32	BOLT, flange	1A1040-36010	4						
52- 33	SPRING, flange bolt	1A1040-36040	4						
52- 34	WASHER 16, plain	22117-160000	4			10			
52- 35	NUT M10	26716-120002	12			10			

SOUTHERN FARM EQUIPMENT

Fig. 53 FRONT & REAR TIRES (FRANCE, ENGLAND & PORTUGAL) [YM155D]

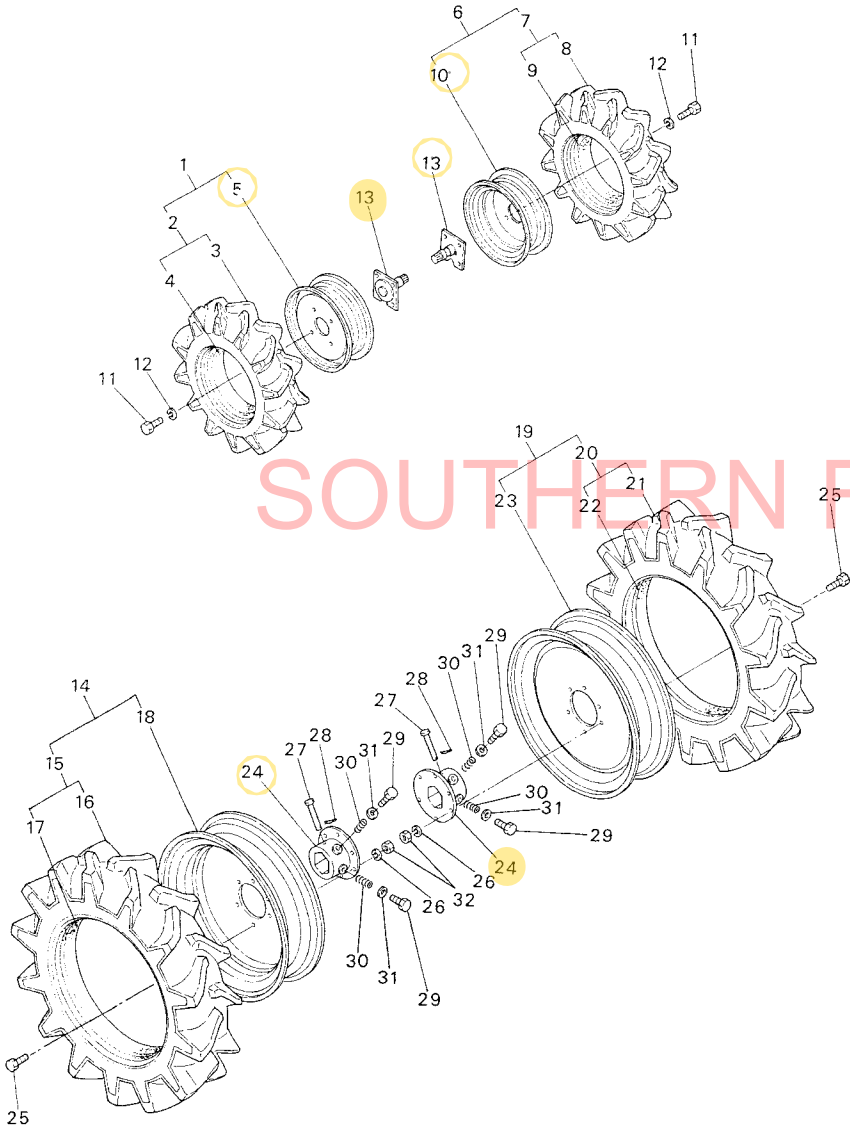


Fig. 53 FRONT & REAR TIRES (FRANCE, ENGLAND & PORTUGAL) [YM155D]

Refer. No.	Description	Part No.	Qy/Unit				Inter-changeability	Design-Mark	Remarks
			YM155	YM155D	YM135	YM135D			
53- 1	TIRE ASS'Y (L), front wheel	794210-12910		1					
	TIRE ASS'Y (L), front wheel	794341-12910-Q		1			N		
53- 2	.TIRE ASS'Y 5-12, front wheel	794210-12930		2					
	.TIRE ASS'Y 5-12, front wheel	794341-12930		2			N		
	.TIRE ASS'Y 5-12, front wheel	194341-12930		1			N		
53- 3	..TIRE 5-12, front wheel	1A1030-34200		1					
	..TIRE 5-12, front wheel	194341-12870		1			N	YM155D from No. 55106	
53- 4	..TUBE 5-12, tire	1A1030-34250		1					
53- 5	.WHEEL 4JA-12, disc	194210-12850-Q		1					
53- 6	TIRE ASS'Y (R), front wheel	794210-12920		1					
	TIRE ASS'Y (R), front wheel	794341-12920-Q		1			N		
53- 7	.TIRE ASS'Y 5-12, front wheel	794210-12930		2					
	.TIRE ASS'Y 5-12, front wheel	794341-12930		2			N		
	.TIRE ASS'Y 5-12, front wheel	194341-12930		1			N		
53- 8	..TIRE 5-12, front wheel	1A1030-34200		1					
	..TIRE 5-12, front wheel	194341-12870		1			N	YM155D from No. 55106	
53- 9	..TUBE 5-12, tire	1A1030-34250		1					
53- 10	.WHEEL 4JA-12, disc	194210-12850-Q		1					
53- 11	BOLT M12 x 25	26116-120252		8		10			
	BOLT M12 x 25	26013-120252		8		10	N		
53- 12	SPRING WASHER 12	22217-120000		8		10	Z		
53- 13	SHAFT, front axle	194210-14350		2					
	SHAFT, front axle	194341-14350		2			S	[4]	

Fig. 53 FRONT & REAR TIRES (FRANCE, ENGLAND & PORTUGAL) [YM155D]

M E M O

Refer. No.	Description	Part No.	Q'ty/Unit			Sales Unit	Inter-change ability	Design-change Mark	Remarks
			YM155	YM155D	YM135				
53- 14	TIRE ASS'Y (L), rear wheel	794340-34810		1					
53- 15	.TIRE ASS'Y, rear	794340-34930		1					
53- 16	..TIRE	194340-34940		1					
53- 17	..TUBE, tire	194200-34950		1					
53- 18	.WHEEL, disc	194200-34960-Q		1					
53- 19	TIRE ASS'Y (R), rear wheel	794340-34820		1					
53- 20	.TIRE ASS'Y, rear	794340-34930		1					
53- 21	..TIRE	194340-34940		1					
53- 22	..TUBE, tire	194200-34950		1					
53- 23	.WHEEL, disc	194200-34960-Q		1					
53- 24	HUB, rear wheel	194200-34711		2					
	HUB, rear wheel	194202-34710		2			N		
53- 25	BOLT M12 x 35	26116-120352	12		10				
	BOLT M12 x 35	26013-120352	12		10		N		
53- 26	SPRING WASHER 12	22217-120000	12		10		Z		
53- 27	PIN 10 x 78, rear wheel hub	194200-34750	2						
53- 28	SNAP PIN 10	22360-100000	2		10				
53- 29	BOLT, flange	1A1040-36010	4						
53- 30	SPRING, flange bolt	1A1040-36040	4						
53- 31	WASHER 16, plain	22117-160000	4		10				
53- 32	NUT M10	26716-100002	12		10				

SOUTHERN FARM EQUIPMENT

Fig. 54 FRONT & REAR TIRES (U.S.A.) [YM135]

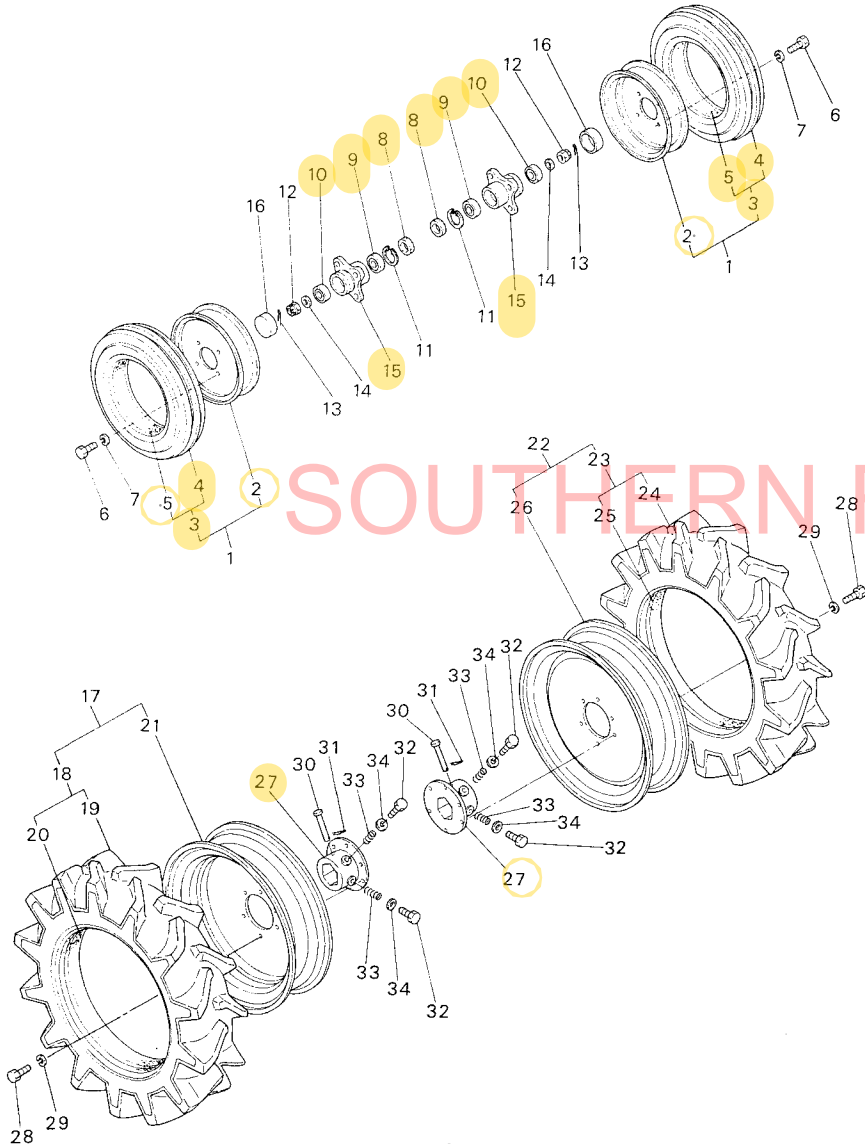


Fig. 54 FRONT & REAR TIRES (U.S.A.) [YM135]

Refer. No.	Description	Part No.	Q'ty/Unit			Sales Unit	Interchangeability	Design Mark	Remarks
			YM155	YM155D	YM135				
54- 1	TIRE ASS'Y, front wheel	794200-11850-P			2				
54- 2	.WHEEL 3.50B x 10GA, disc	194200-11880-P			2				
54- 3	.TIRE ASS'Y 4.50-10, front	194200-11900			2				
54- 4	..TIRE 4.50-10	194200-11910			2				
54- 5	..TUBE, tire	194200-11920			2				
54- 6	BOLT M12 x 25	26116-120252			8	10			
	BOLT M12 x 25	26013-120252			8	10	N		
54- 7	SPRING WASHER 12	22217-120000			8	10	Z		
54- 8	OIL SEAL TC 35 52 11	194150-12720			2	10			
54- 9	BALL BEARING 6205	24101-062054			2				
54- 10	BALL BEARING 6204	24101-062044			2				
54- 11	CIRCLIP 48-H	22252-000480			2	10			
	WASHER 42 x 51.8 x 1	194151-11670			2	10			Selective
54- 12	CASTLE NUT M20	26837-200002			2	10			
	CASTLE NUT M20	26877-200002			2	10	N		
54- 13	COTTER PIN 4 x 40	22417-400400			2	10			
54- 14	WASHER 20, plain	194151-12640			2				
54- 15	HUB, front wheel	194200-11801-P			2				
54- 16	COVER, front wheel hub.	194151-12620-X			2				
54- 17	TIRE ASS'Y (L), rear wheel	194390-34900			1				
	TIRE ASS'Y (L), rear wheel	194390-34810			1		N	[1]	
	TIRE ASS'Y (L), rear wheel	794390-34810			1		N		
54- 18	.TIRE ASS'Y, rear	194390-34930			1				
54- 19	..TIRE	194390-34940			1				
54- 20	..TUBE, tire	194390-34950			1				
	..TUBE, tire	194200-34950			1		N		
54- 21	.WHEEL, disc	194200-34960-P			1				

Fig. 54 FRONT & REAR TIRES (U.S.A.) [YM135]

M E M O

Refer. No.	Description	Part No.	Q'ty/Unit				Sales Unit	Inter-change ability	Design-change Mark	Remarks
			YM155	YM155D	YM135	YM135D				
54- 22	TIRE ASS'Y (R), rear wheel	194390-34950			1					
	TIRE ASS'Y (R), rear wheel	194390-34820			1		N	[1]		
	TIRE ASS'Y (R), rear wheel	794390-34820			1		N			
54- 23	.TIRE ASS'Y, rear	194390-34930			1					
54- 24	..TIRE	194390-34940			1					
54- 25	..TUBE, tire	194390-34950			1					
	..TUBE, tire	194200-34950			1		N			
54- 26	.WHEEL, disc	194200-34960-P			1					
54- 27	HUB, rear wheel	194200-34711			2					
	HUB, rear wheel	194202-34710			2		N			
54- 28	BOLT M12 x 25	26116-120252			12	10				
54- 29	SPRING WASHER 12	22217-120000			12	10				
54- 30	PIN 10 x 78, rear wheel hub	194200-34750			2					
54- 31	SNAP PIN 10	22360-100000			2	10				
54- 32	BOLT, flange	1A1040-36010			4					
54- 33	SPRING, flange bolt	1A1040-36040			4					
54- 34	WASHER 16, plain	22117-160000			4	10				

SOUTHERN FARM EQUIPMENT

Fig. 55 FRONT & REAR TIRES (U.S.A.) [YM135D]

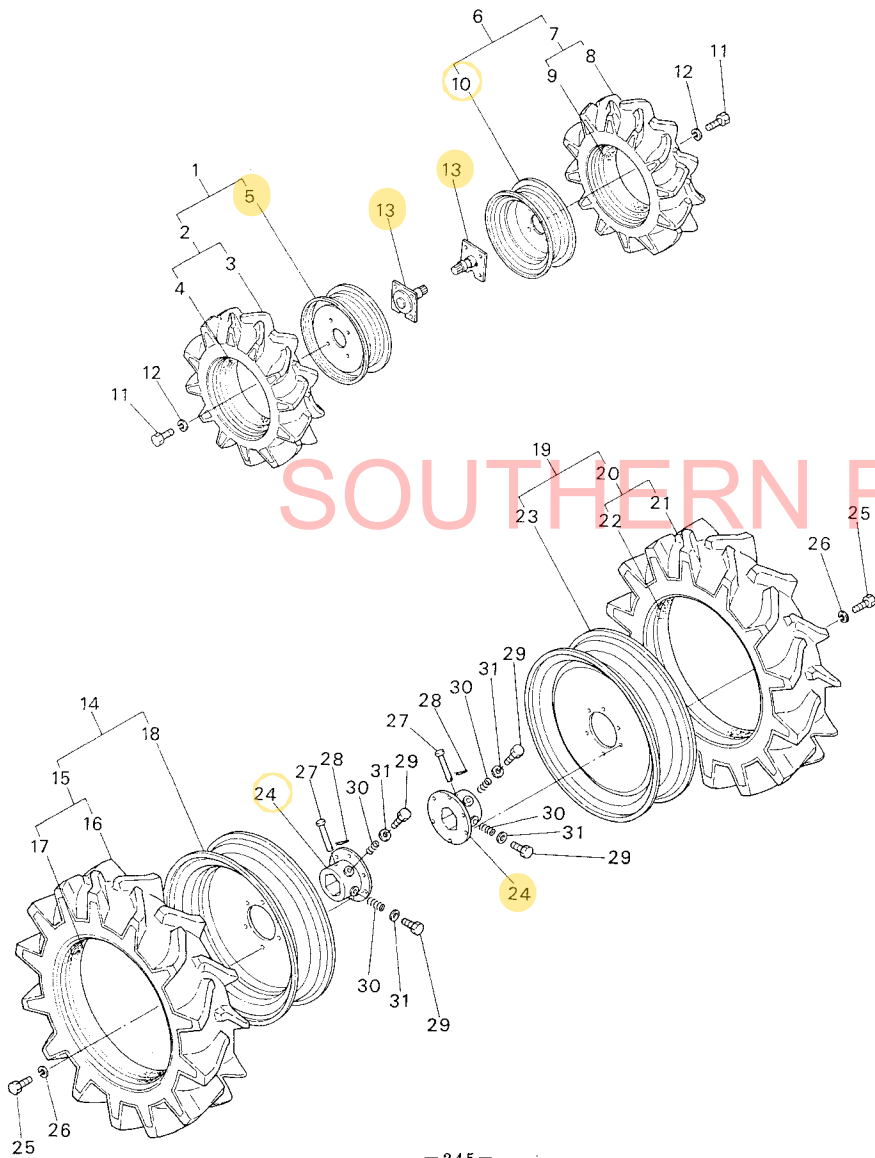


Fig. 55 FRONT & REAR TIRES (U.S.A.) [YM135D]

Refer. No.	Description	Part No.	Qty/Line			Sales Unit	Inter-changeability	Design-change Mark	Remarks
			YM155	YM155D	YM135				
55- 1	TIRE ASS'Y (L), front wheel	794210-12910-P				1			
	TIRE ASS'Y (L), front wheel	794341-12910-P				1	N		
55- 2	.TIRE ASS'Y 5-12, front wheel	794210-12930				2			
	.TIRE ASS'Y 5-12, front wheel	794341-12930				2	N		
	.TIRE ASS'Y 5-12, front wheel	194341-12930				1	N		
55- 3	..TIRE 5-12, front wheel	1A1030-34200				1			
	..TIRE 5-12, front wheel	194341-12870				1	N	YM135D from No. 51614	
55- 4	..TUBE 5-12, tire	1A1030-34250				1			
55- 5	.WHEEL 4JA-12, disc	194210-12850-P				1			
55- 6	TIRE ASS'Y (R), front wheel	794210-12920-P				1			
	TIRE ASS'Y (R), front wheel	794341-12920-P				1	N		
55- 7	.TIRE ASS'Y 5-12, front wheel	794210-12930				2			
	.TIRE ASS'Y 5-12, front wheel	794341-12930				2	N		
	.TIRE ASS'Y 5-12, front wheel	194341-12930				1	N		
55- 8	..TIRE 5-12, front wheel	1A1030-34200				1			
	..TIRE 5-12, front wheel	194341-12870				1	N	YM135D from No. 51614	
55- 9	..TUBE 5-12, tire	1A1030-34250				1			
55- 10	.WHEEL 4JA-12, disc	194210-12850-P				1			
55- 11	BOLT M12 x 25	26116-120252				8	10		
	BOLT M12 x 25	26013-120252				8	10	N	
55- 12	SPRING WASHER 12	22217-120000				8	10	Z	
55- 13	SHAFT, front axle	194210-14350				2			
	SHAFT, front axle	194341-14350				2	S	[4]	

Fig. 55 FRONT & REAR TIRES (U. S. A.) [YM135D]

Refer. No.	Description	Part No.	Q'ty/Unit			Sales Unit	Inter-changeability	Design-change Mark	Remarks
			YM155	YM155D	YM135				
55- 14	TIRE ASS'Y (L), rear wheel	194390-34900				1			
	TIRE ASS'Y (L), rear wheel	194390-34810				1	N	[1]	
55- 15	.TIRE ASS'Y, rear	194390-34930				1			
55- 16	..TIRE	194390-34940				1			
55- 17	..TUBE, tire	194390-34950				1			
55- 18	.WHEEL, disc	194200-34960-P				1			
55- 19	TIRE ASS'Y (R), rear wheel	194390-34950				1			
	TIRE ASS'Y (R), rear wheel	194390-34820				1	N	[1]	
55- 20	.TIRE ASS'Y, rear	194390-34930				1			
55- 21	..TIRE	194390-34940				1			
55- 22	..TUBE, tire	194390-34950				1			
55- 23	.WHEEL, disc	194200-34960-P				1			
55- 24	HUB, rear wheel	194200-34711				2			
	HUB, rear wheel	194202-34710				2	N		
55- 25	BOLT M12 x 25	26116-120252				12	10		
55- 26	SPRING WASHER 12	22217-120000				12	10		
55- 27	PIN 10 x 78, rear wheel hub	194200-34750				2			
55- 28	SNAP PIN 10	22360-100000				2	10		
55- 29	BOLT, flange	1A1040-36010				4			
55- 30	SPRING, flange bolt	1A1040-36040				4			
55- 31	WASHER 16, plain	22117-160000				4	10		

SOUTHERN FARM EQUIPMENT

Fig. 56 FRONT & REAR TIRES (FRANCE) [YM135]

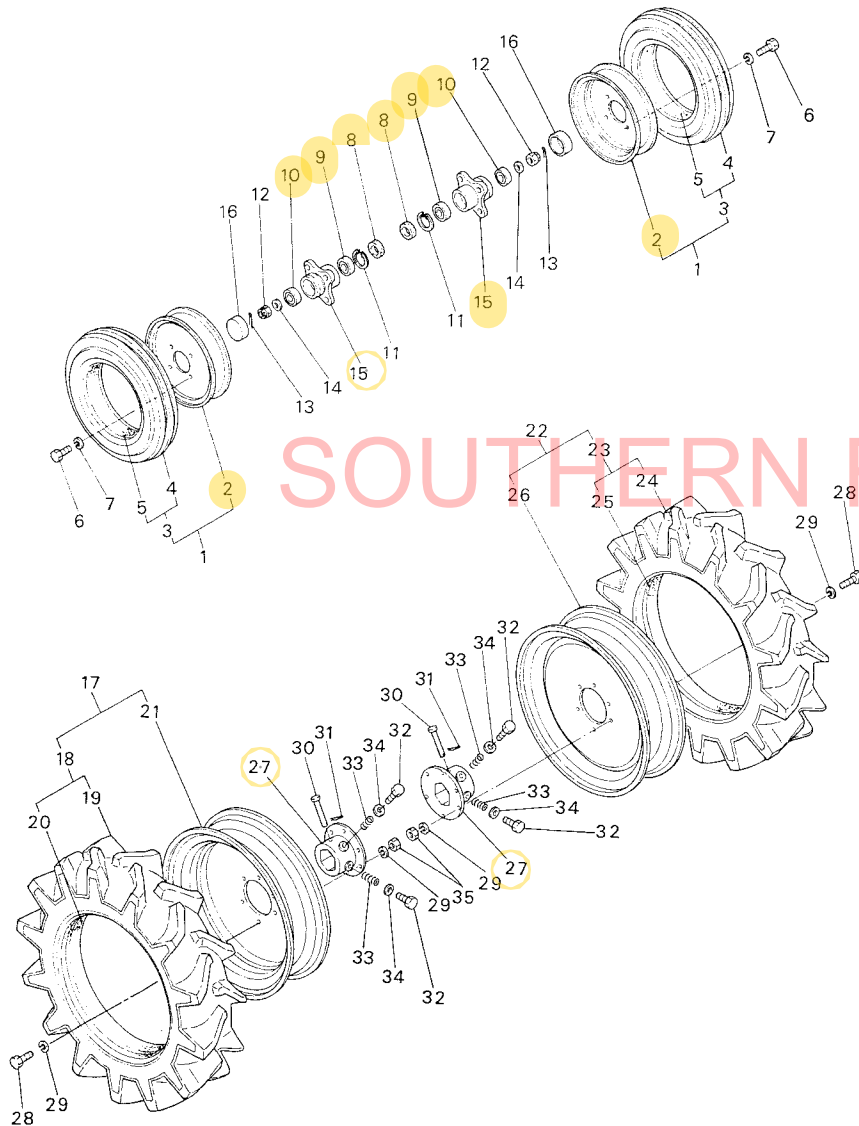


Fig. 56 FRONT & REAR TIRES (FRANCE) [YM135]

Refer. No.	Description	Part No.	Qty/Unit				Inter-changeability	Design-change Mark	Remarks
			YM135	YM155D	YM135	YM135D			
56- 1	TIRE ASS'Y, front wheel	794200-11850-P			2				
56- 2	.WHEEL 3.50B x 10GA, disc	194200-11880-P			2				
56- 3	.TIRE ASS'Y 4.50-10, front	194200-11900			2				
56- 4	..TIRE 4.50-10	194200-11910			2				
56- 5	..TUBE, tire	194200-11920			2				
56- 6	BOLT M12 x 25	26116-120252			8	10			
	BOLT M12 x 25	26013-120252			8	10	N		
56- 7	SPRING WASHER 12	22217-120000			8	10	Z		
56- 8	OIL SEAL TC 35 52 11	194150-12720			2	10			
56- 9	BALL BEARING 6205	24101-062054			2				
56- 10	BALL BEARING 6204	24101-062044			2				
56- 11	CIRCLIP 48-H	22252-000480			2	10		Selective	
	WASHER 42 x 51.8 x 1	194151-11670			2	10			
56- 12	CASTLE NUT M20	26837-200002			2	10			
	CASTLE NUT M20	26877-200002			2	10	N		
56- 13	COTTER PIN 4 x 40	22417-400400			2	10			
56- 14	WASHER 20, plain	194151-12640			2				
56- 15	HUB, front wheel	194200-11801-P			2				
56- 16	COVER, front wheel hub.	194151-12620-X			2				
56- 17	TIRE ASS'Y (L), rear wheel	194390-34900			1				
	TIRE ASS'Y (L), rear wheel	194390-34810			1		N	[1]	
	TIRE ASS'Y (L), rear wheel	794390-34810			1		N		
56- 18	.TIRE ASS'Y, rear	194390-34930			1				
56- 19	..TIRE	194390-34940			1				
56- 20	..TUBE, tire	194390-34950			1				
56- 21	.WHEEL, disc	194200-34960-P			1				

Fig. 56 FRONT & REAR TIRES (FRANCE) [YM135]

Refer. No.	Description	Part No.	Q'ty/Unit				Sales Unit	Inter-change ability	Design-change Mark	Remarks
			YM135	YM135D	YM135	YM135D				
56- 22	TIRE ASS'Y (R), rear wheel	194390-34950			1					
	TIRE ASS'Y (R), rear wheel	194390-34820			1		N	[1]		
	TIRE ASS'Y (R), rear wheel	794390-34820			1		N			
56- 23	.TIRE ASS'Y, rear	194390-34930			1					
56- 24	..TIRE	194390-34940			1					
56- 25	..TUBE, tire	194390-34950			1					
56- 26	.WHEEL, disc	194200-34960-P			1					
56- 27	HUB, rear wheel	194200-34711			2					
	HUB, rear wheel	194202-34710			2		N			
56- 28	BOLT M12 x 25	26116-120252			12	10				
	BOLT M12 x 25	26013-120252			12	10	N			
56- 29	SPRING WASHER 12	22217-120000			12	10	Z			
56- 30	PIN 10 x 78, rear wheel hub	194200-34750			2					
56- 31	SNAP PIN 10	22360-100000			2	10				
56- 32	BOLT, flange	1A1040-36010			4					
56- 33	SPRING, flange bolt	1A1040-36040			4					
56- 34	WASHER 16, plain	22117-160000			4	10				
56- 35	NUT M10	26716-100002			12	10				

SOUTHERN FARM EQUIPMENT

Fig. 57 FRONT & REAR TIRES (FRANCE) [YM135D]

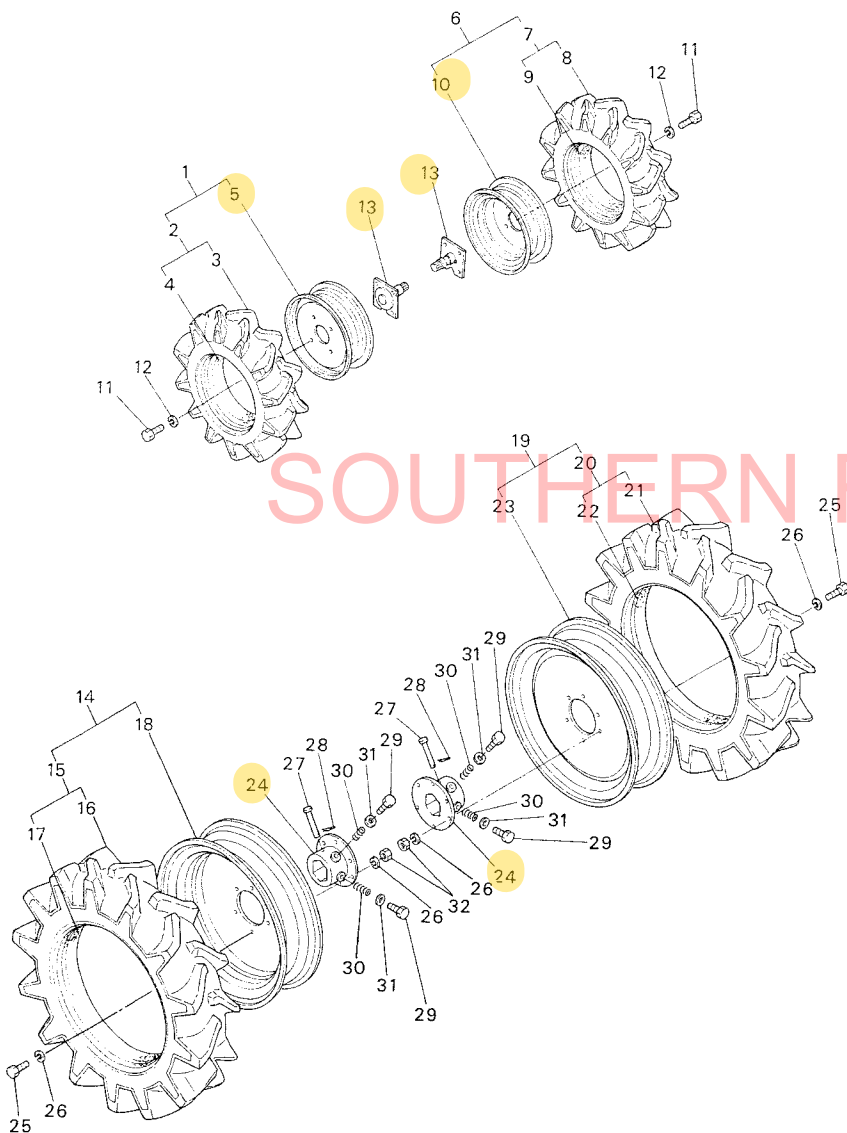


Fig. 57 FRONT & REAR TIRES (FRANCE) [YM135D]

Refer. No.	Description	Part No.	Q'ty/Unit			Interchangeability	Design-change Mark	Remarks
			YM135	YM135D	YM135			
57- 1	TIRE ASS'Y (L), front wheel	794210-12910			1			
	TIRE ASS'Y (L), front wheel	794341-12910-P			1	N		
57- 2	.TIRE ASS'Y 5-12, front wheel	794210-12930			2			
	.TIRE ASS'Y 5-12, front wheel	794341-12930			2	N		
	.TIRE ASS'Y 5-12, front wheel	194341-12930			1	N		
57- 3	..TIRE 5-12, front wheel	1A1030-34200			1			
	..TIRE 5-12, front wheel	194341-12870			1	N		YM135D from No. 51614
57- 4	..TUBE 5-12, tire	1A1030-34250			1			
57- 5	.WHEEL 4JA-12, disc	194210-12850-P			1			
57- 6	TIRE ASS'Y (R), front wheel	794210-12920			1			
	TIRE ASS'Y (R), front wheel	794341-12920-P			1	N		
57- 7	.TIRE ASS'Y 5-12, front wheel	794210-12930			2			
	.TIRE ASS'Y 5-12, front wheel	794341-12930			2	N		
	.TIRE ASS'Y 5-12, front wheel	194341-12930			1	N		
57- 8	..TIRE 5-12, front wheel	1A1030-34200			1			
	..TIRE 5-12, front wheel	194341-12870			1	N		YM135D from No. 51614
57- 9	..TUBE 5-12, tire	1A1030-34250			1			
57- 10	.WHEEL 4JA-12, disc	194210-12850-P			1			
57- 11	BOLT M12 x 25	26116-120252			8	10		
	BOLT M12 x 25	26013-120252			8	10	N	
57- 12	SPRING WASHER 12	22217-120000			8	10	Z	
57- 13	SHAFT, front axle	194210-14350			2			
	SHAFT, front axle	194341-14350			2	S	[4]	

Fig. 57 FRONT & REAR TIRES (FRANCE) [YM135D]

Refer. No.	Description	Part No.	Q'ty/Unit				Sales Unit	Inter-change ability	Design-change Mark	Remarks
			YM155	YM159D	YM135	YM135D				
57- 14	TIRE ASS'Y (L), rear wheel	194390-34900				1				
	TIRE ASS'Y (L), rear wheel	194390-34810				1	N	[1]		
	TIRE ASS'Y (L), rear wheel	794390-34810				1	N			
57- 15	.TIRE ASS'Y, rear	194390-34930				1				
57- 16	..TIRE	194390-34940				1				
57- 17	..TUBE, tire	194390-34950				1				
57- 18	.WHEEL, disc	194200-34960-P				1				
57- 19	TIRE ASS'Y (R), rear wheel	194390-34950				1				
	TIRE ASS'Y (R), rear wheel	194390-34820				1	N	[1]		
	TIRE ASS'Y (R), rear wheel	794390-34820				1	N			
57- 20	.TIRE ASS'Y, rear	194390-34930				1				
57- 21	..TIRE	194390-34940				1				
57- 22	..TUBE, tire	194390-34950				1				
57- 23	.WHEEL, disc	194200-34960-P				1				
57- 24	HUB, rear wheel	194200-34711				2				
	HUB, rear wheel	194202-34710				2	N			
57- 25	BOLT M12 x 35	26116-120352				12	10			
	BOLT M12 x 35	26013-120352				12	10	N		
57- 26	SPRING WASHER 12	22217-120000				12	10	Z		
57- 27	PIN 10 x 78, rear wheel hub	194200-34750				2				
57- 28	SNAP PIN 10	22360-100000				2	10			
57- 29	BOLT, flange	1A1040-36010				4				
57- 30	SPRING, flange bolt	1A1040-36040				4				
57- 31	WASHER 16, plain	22117-160000				4	10			
57- 32	NUT M10	26716-100002				12	10			

SOUTHERN FARM EQUIPMENT

Fig. 58 HYDRAULIC LIFT

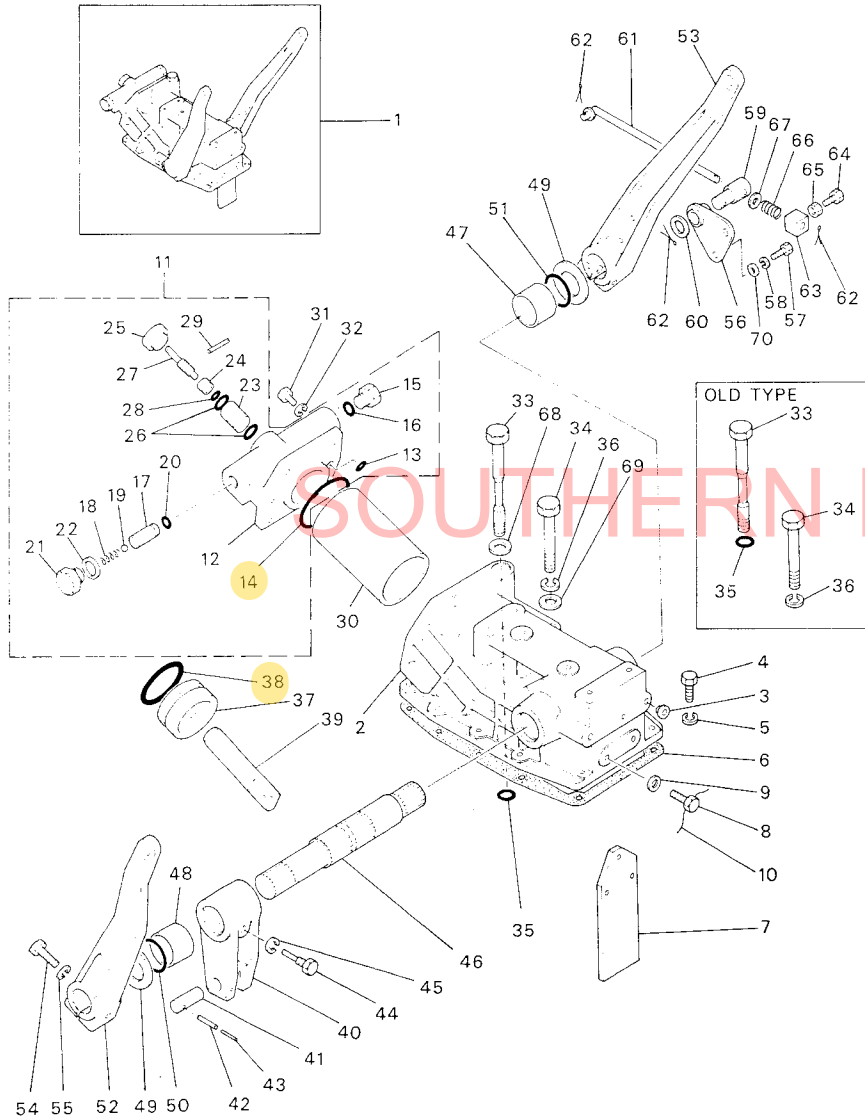


Fig. 58 HYDRAULIC LIFT

Refer. No.	Description	Part No.	Q'ty/Unit				Inter-changeability	Design Mark	Remarks
			YMI55	YMI5D	YMI35	YMI3D			
58- 1	LIFT ASS'Y, hydraulic	794200-42000-X	1	1	1	1			
58- 2	HOUSING, hydraulic cylinder	194200-42101-X	1	1	1	1			
	HOUSING, hydraulic cylinder	194200-42102-X	1	1	1	1	F	[2]	Interchangeable by set with 58-33, 68, 69. do.
	HOUSING, hydraulic cylinder	194200-42102-X	1	1	1	1	F	[3]	
58- 3	PLUG 11	194150-21910	2	2	2	2			
58- 4	BOLT M10 x 35	26116-100352	10	10	10	10			
	BOLT M10 x 35	26013-100352	10	10	10	10	N		
58- 5	SPRING WASHER 10	22217-100000	10	10	10	10			Z
58- 6	PACKING, cylinder case	194200-42150	1	1	1	1			
58- 7	PROTECTOR, cylinder case	194200-42171	1	1	1	1			
58- 8	BOLT M8 x 22	26116-080226	3	3	3	3			10
	BOLT M8 x 22	26206-080226	3	3	3	3	N		
58- 9	PACKING 8, copper	23414-080000	3	3	3	3			10
58-10	WIRE 0.6 x 220	194200-42180	1	1	1	1			10
58-11	HEAD ASS'Y, cylinder	794200-43100-X	1	1	1	1			
	HEAD ASS'Y, cylinder	794200-43080	1	1	1	1			N
58-12	.HEAD, cylinder	194200-43121	1	1	1	1			
58-13	.O-RING 14-P	24311-000140	1	1	1	1			10
58-14	.O-RING 63-S	194200-43140	1	1	1	1			
58-15	.PLUG 18	194200-43161-X	1	1	1	1			
58-16	.O-RING 15-P	24311-000150	1	1	1	1			10
58-17	.VALVE SEAT, safety	194200-46410	1	1	1	1			
58-18	.SPRING, safety valve	194200-46420	1	1	1	1			
58-19	.BALL 3/16	24190-060001	1	1	1	1			10
	.BALL 3/16	24190-060003	1	1	1	1			N
58-20	.O-RING 9-P	24311-000090	1	1	1	1			10
58-21	.PLUG 16, safety valve	194200-46450-X	1	1	1	1			
58-22	.PACKING 16, copper	23414-160000	1	1	1	1			10
58-23	.VALVE SEAT, stop	194200-46520	1	1	1	1			
58-24	.VALVE (A), stop	194200-46531	1	1	1	1			

Fig. 58 HYDRAULIC LIFT

Refer. No.	Description	Part No.	Qty/Unit				Sales Unit	Inter-change ability	Design-change Mark	Remarks
			YMI55	YMI55D	YMI35	YMI35D				
58- 25	.GUIDE, stop valve	194200-46540-X	1	1	1	1				
58- 26	.O-RING 16-S	194200-46550	2	2	2	2	10			
58- 27	.VALVE (B), stop	194200-46560-X	1	1	1	1				
58- 28	.O-RING 9-P	24311-000090	1	1	1	1	10			
58- 29	.SPRING PIN 5 x 50	22351-050050	1	1	1	1	10			
58- 30	PIPE, cylinder	194200-43110	1	1	1	1				
58- 31	BOLT M12 x 35	26116-120352	4	4	4	4	10			
	BOLT M12 x 35	26013-120352	4	4	4	4	10	N		
58- 32	SPRING WASHER 12	22217-120000	4	4	4	4	10	Z		
58- 33	SETBOLT, control valve	194200-43210	1	1	1	1				
	SETBOLT, control valve	194200-43211			1			N	[2]	
	SETBOLT, control valve	194200-43211	1	1	1			N	[3]	
58- 34	SETBOLT, control valve	194200-43220	1	1	1	1				
58- 35	O-RING 14-P	24311-000140	2	2	2	2	10			
	O-RING 14-P	24311-000140			1		10	K	[2]	
	O-RING 14-P	24311-000140	1	1	1		10	K	[3]	
58- 36	SPRING WASHER 12	22217-120000	1	1	1	1	10			
58- 37	PISTON, hydraulic	194200-43300	1	1	1	1	10			
58- 38	O-RING P50A	24311-570500	1	1	1	1	10			
58- 39	ROD, hydraulic piston	194200-43411	1	1	1	1				
58- 40	CRANK, lift	194200-44111	1	1	1	1				
58- 41	PIN, lift crank	194200-44151	1	1	1	1				
58- 42	SPRING PIN 5 x 28	22351-050028	1	1	1	1	10			
58- 43	SPRING PIN 3 x 28	22351-030028	1	1	1	1	10			
58- 44	SETBOLT, lift crank	194200-44170	1	1	1	1				
58- 45	SPRING WASHER 8	22217-080000	1	1	1	1	10			
58- 46	SHAFT, lift	194200-44210	1	1	1	1				
58- 47	BUSH 35 x 30, rod	194200-44250	1	1	1	1				
58- 48	BUSH 30 x 30, rod	194200-44260	1	1	1	1				

Fig. 58 HYDRAULIC LIFT

Refer. No.	Description	Part No.	Qty/Unit				Sales Unit	Inter-change ability	Design-change Mark	Remarks
			YMI55	YMI55D	YMI35	YMI35D				
58- 49	LINER 30.5 x 45 x 1	194200-44280	2	2	2	2				
58- 50	O-RING 30-P	24311-000300	1	1	1	1	10			
58- 51	O-RING 35-P	24311-000350	1	1	1	1	10			
58- 52	ARM (L), lift	194200-44411-X	1	1	1	1				
	ARM (L), lift	194340-44410-X	1	1	1	1		F	[4]	
58- 53	ARM (R), lift	194200-44421-X	1	1	1	1				
	ARM (R), lift	194340-44420-X	1	1	1	1		F	[4]	
58- 54	BOLT M10 x 45	26116-100452	2	2	2	2	10			
	BOLT M10 x 45	26013-100452	2	2	2	2	10	N		
58- 55	SPRING WASHER 10	22217-100000	2	2	2	2	10	Z		
58- 56	SUPPORT, auto-return rod	194200-47510	1	1	1	1				
58- 57	BOLT M8 x 20	26116-080202	2	2	2	2	10			
	BOLT M8 x 20	26013-080202	2	2	2	2	10	N		
58- 58	SPRING WASHER 8	22217-080000	2	2	2	2	10	Z		
58- 59	PIN, auto-return support	194200-47550	1	1	1	1				
58- 60	WASHER 12, plain	22137-120000	1	1	1	1	10			
58- 61	ROD, auto-return	194200-47610	1	1	1	1				
58- 62	COTTER PIN 3 x 20	22417-300200	3	3	3	3	10			
58- 63	STOPPER, auto-return	194200-47620	2	2	2	2				
58- 64	BOLT M6 x 18	26116-060182	2	2	2	2	10			
58- 65	NUT M6	26716-060002	2	2	2	2	10			
58- 66	SPRING, lock pin	1A1040-46890	1	1	1	1				
58- 67	WASHER 8, plain	22117-080000	1	1	1	1	10			
58- 68	SEAL WASHER	194200-43230				1		W	[2]	
	SEAL WASHER	194200-43230	1	1	1			W	[3]	
58- 69	WASHER 12, plain	22137-120000				1	10	W	[2]	
	WASHER 12, plain	22137-120000	1	1	1		10	W	[3]	
	WASHER 12, plain	22117-120000	1	1	1	1	10	N		
58- 70	WASHER 8, plain	22137-080000	1	1	1	1	10	W		

Fig. 59 HYDRAULIC CONTROL VALVE

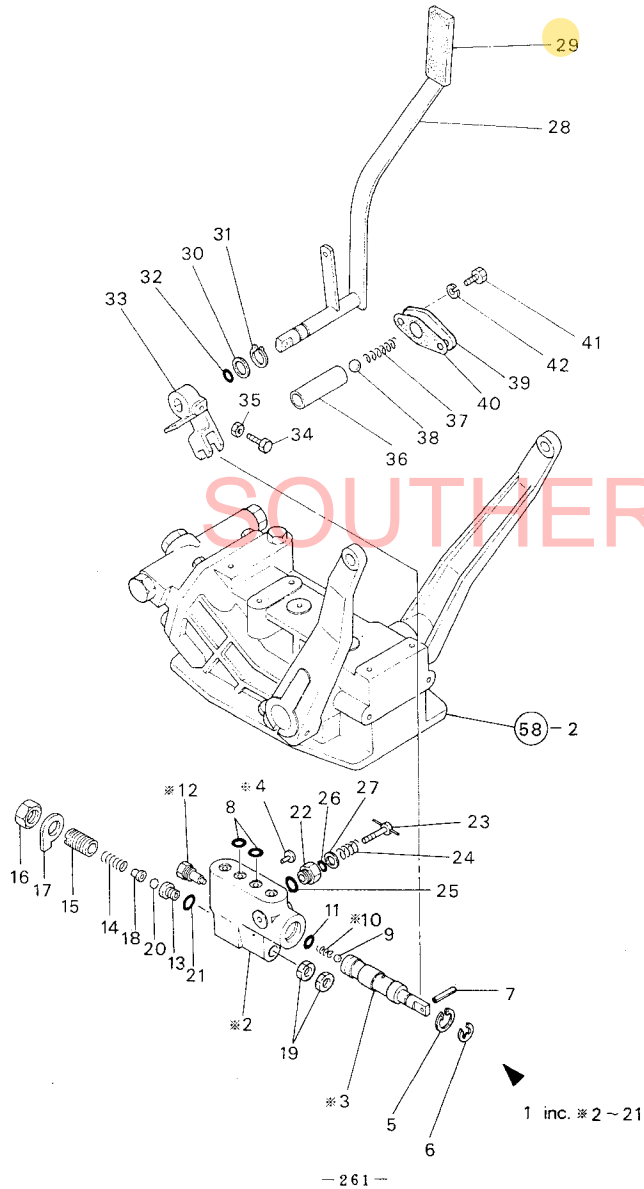


Fig. 59 HYDRAULIC CONTROL VALVE

Refer. No.	Description	Part No.	Q'ty/Unit				Sales Unit	Inter-changeability	Design-change Mark	Remarks
			YM155	YM155D	YM135	YM135D				
59- 1	VALVE ASS'Y, control	794200-45100	1	1	1	1				
59- 2	.BODY w/SPOOL, control valve	*	1	1	1	1			Not Sold Separately. (194200-45130)	
59- 3	.SPOOL	*	1	1	1	1			Not Sold Separately. (194200-45140)	
59- 4	.ADJUSTER	*	1	1	1	1			Not Sold Separately. (194200-45150)	
59- 5	.RING, stop	194200-45200	1	1	1	1				
59- 6	.CIRCLIP 9, E-shape	22272-000090	1	1	1	1	10			
59- 7	.SPRING PIN 6 x 25	22351-060025	1	1	1	1	10			
59- 8	.O-RING 14-P	24311-000140	2	2	2	2	10			
59- 9	.BALL 5/16	24190-100002	1	1	1	1	10			
59- 10	.SPRING	*	1	1	1	1			Not Sold Separately. (194200-45260)	
59- 11	.O-RING P10A	24311-240100	1	1	1	1	10			
59- 12	.PLUG	*	1	1	1	1			Not Sold Separately. (194200-45270)	
59- 13	.SEAT, valve	194200-45160	1	1	1	1		W		
59- 14	.SPRING	194200-45170	1	1	1	1		W		
59- 15	.ADJUSTER	194200-45180	1	1	1	1		W		
59- 16	.NUT	194200-45190	1	1	1	1		W		
59- 17	.PLATE, lock	194200-45210	1	1	1	1		W		
59- 18	.HOLDER, spring	194200-45240	1	1	1	1		W		
59- 19	.LOCK NUT	194200-45250	2	2	2	2		W		
59- 20	.BALL 3/8	24190-120002	1	1	1	1		W		
59- 21	.O-RING 8-P	24311-000080	1	1	1	1		W		
59- 22	PLUG 16, slow return	194200-46100	1	1	1	1				
59- 23	BOLT, slow return adjusting	194200-46121	1	1	1	1				
59- 24	SPRING, slow return bolt	194200-46130	1	1	1	1				

Fig. 59 HYDRAULIC CONTROL VALVE

Refer. No.	Description	Part No.	Qty/Unit				Sales Unit	Inter-change ability	Design-change Mark	Remarks
			YM155	YM155D	YM135	YM135D				
59- 25	O-RING 12.5-S	194200-46150	1	1	1	1	10			
	O-RING 12.5-P	24311-000125	1	1	1	1	10	N		
59- 26	O-RING 8-P	24311-000080	1	1	1	1	10			
59- 27	WASHER 8, plain	22137-080000	1	1	1	1	10			
59- 28	LEVER, hydraulic control	194200-47112-X	1	1	1	1				
59- 29	GRIP, control lever	194150- 57621 47621	1	1	1	1			Misprint	
59- 30	LINER, control lever	194200-47180	1	1	1	1				
59- 31	CIRCLIP 14-S	22242-000140	1	1	1	1	10			
59- 32	O-RING S12	194200-47190	1	1	1	1	10			
59- 33	FORK, hydraulic control	194200-47210	1	1	1	1				
59- 34	SETBOLT M6 x 30	194200-47220	1	1	1	1				
59- 35	NUT M6	26716-060002	1	1	1	1	10			
59- 36	SUPPORT, lock spring	194200-47310	1	1	1	1				
59- 37	SPRING, lock	194200-47330	1	1	1	1				
59- 38	BALL 13/32	24190-130001	1	1	1	1	10			
59- 39	COVER, lock spring	194200-47350-X	1	1	1	1				
59- 40	PACKING, lock spring cover	194200-47360	1	1	1	1	10			
59- 41	BOLT M8 x 20	26116-080202	2	2	2	2	10			
	BOLT M8 x 20	26013-080202	2	2	2	2	10	N		
59- 42	SPRING WASHER 8	22217-080000	2	2	2	2	10	Z		

SOUTHERN FARM EQUIPMENT