

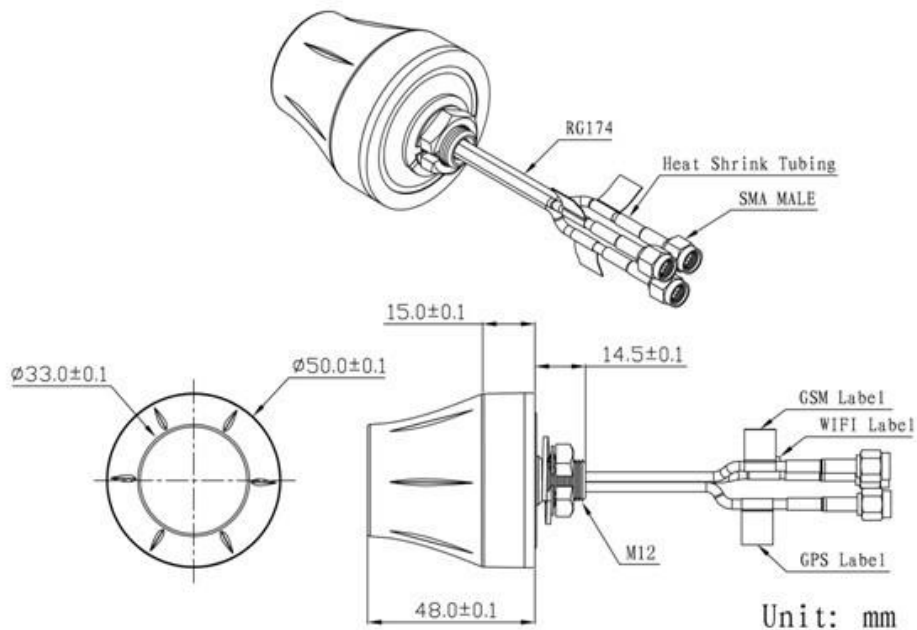
A Company of Geoidsoft Inc.

## GPS + LTE + WiFi Combination Antenna

### JCE058L



#### Dimensions



**Mobile GPS Online – Geoidsoft Inc.**

3151 Strandherd Drive, P. O. Box 45535, Ottawa, ON K2J 0P9 Canada

<http://www.mobilegpsonline.com> e-mail: [sales@mobilegpsonline.com](mailto:sales@mobilegpsonline.com)

Tel.: 613-8230926

## Specifications

Item		Specifications	
GPS Antenna	Dielectric Antenna	Center Frequency	1575.42±1MHz
		Band Width	CF±5MHz
		Polarization	RHCP
		Gain	2dBic (Zenith)
		V.S.W.R	<1.5
		Impedance	50Ω
		Axial Ratio	3dB (max)
	LNA	Gain	28±2dB
		Noise Figure	<1.5
		Ex-band Attenuation	12dB@CF+50MHz/16dB@CF-50MHz
		V.S.W.R	<2.0
		Supply Voltage	2.2~5V DC
		Current Consumption	5~15mA
GSM Antenna		Frequency Range	698~960/1710~2655MHz
		V.S.W.R	<2.0
		Polarization	Linear
		Gain	2.0dBi
		Impedance	50Ω
WIFI Antenna		Frequency Range	2400~2483.5MHz
		Band Width	83.5MHz
		Polarization	Linear
		Gain	3dBi
		V.S.W.R	<2.0
		Impedance	50 Ω
Mechanical		Cable	RG174
		Connector	SMA/MCX/FAKRA or others
		Material	ABS
		Mounting Method	Screw

**Mobile GPS Online – Geoidsoft Inc.**

3151 Strandherd Drive, P. O. Box 45535, Ottawa, ON K2J 0P9 Canada

<http://www.mobilegpsonline.com> e-mail: [sales@mobilegpsonline.com](mailto:sales@mobilegpsonline.com)

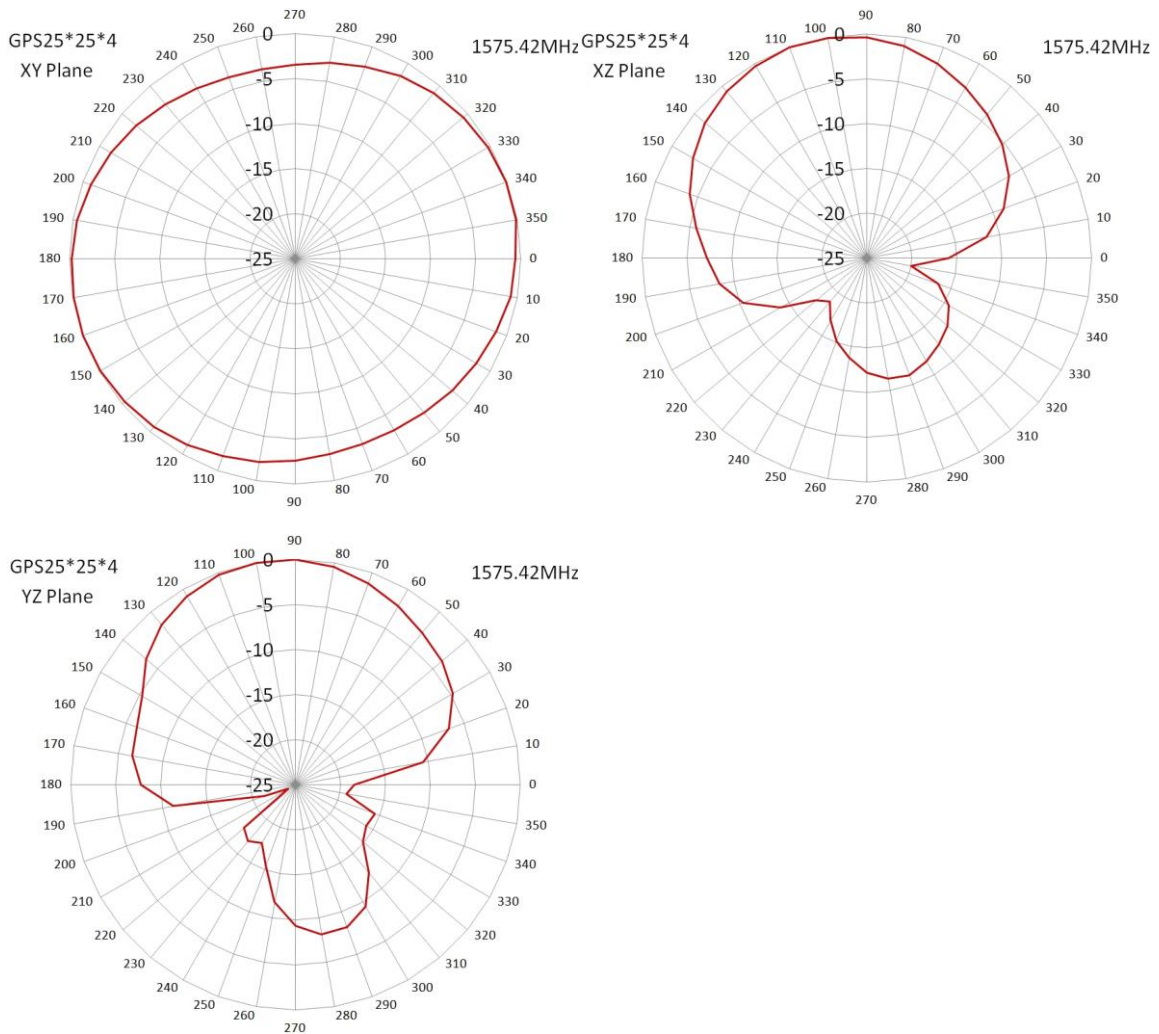
Tel.: 613-8230926

**Specifications**

Environmental	Operating Temperature	-40°C~+85°C
	Relative Humidity	Up to 95%
	Ingress Protection	IP67 (exclude cable outlet)
	Vibration	10 to 55Hz with 1.5mm amplitude 2hours
	Environmentally Friendly	ROHS Compliant

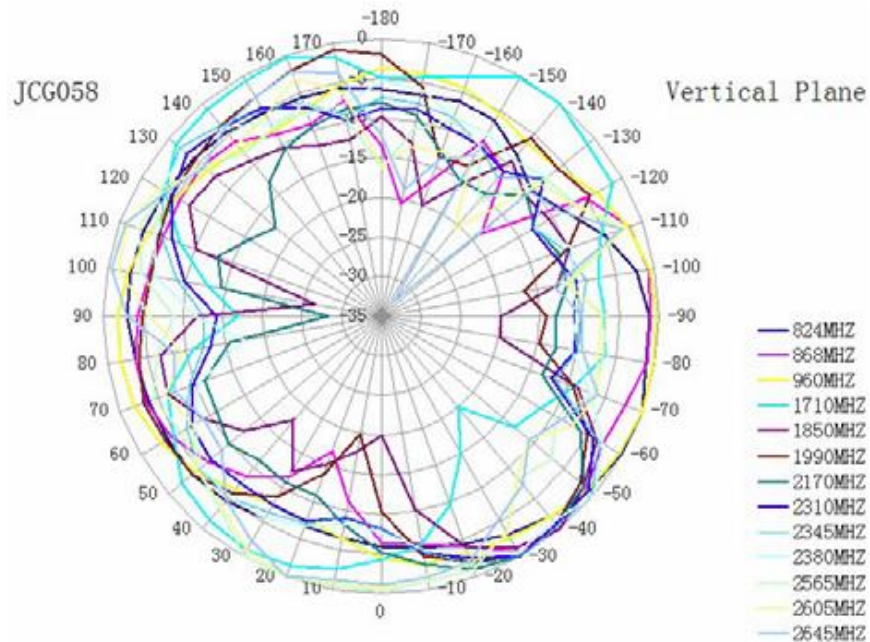
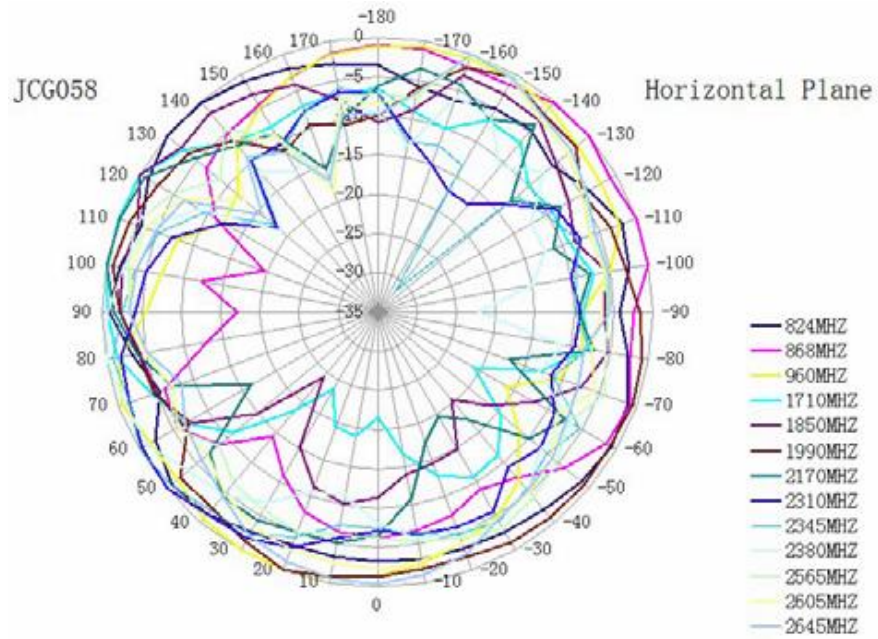
**Radiation Pattern**

**GPS Antenna**



**Radiation Pattern**

**LTE Antenna**



**Mobile GPS Online – Geoidsoft Inc.**

3151 Strandherd Drive, P. O. Box 45535, Ottawa, ON K2J 0P9 Canada

<http://www.mobilegpsonline.com> e-mail: [sales@mobilegpsonline.com](mailto:sales@mobilegpsonline.com)

Tel.: 613-8230926

**Radiation Pattern**

**WiFi Antenna**

