

## **GNSS 3D Choke Ring Antenna**

# **JCA229**

### **Multi-GNSS High Precision Surveying Antenna**



**JCA229** GNSS 3D choke ring antenna can receive signals from multiple satellite navigation and positioning systems, including Compass (BeiDou) B1/B2/B3, GPS L1/L2/L5, GLONASS G1/G2, GALILEO E1/E2/E5/E6, etc. With unique choke chassis, this GNSS antenna features high performance of anti-multipath interference. It is especially suitable for surveying, direction finding, timing, navigation and other applications, including reference stations, deformation monitoring, earthquake prediction, satellite signal transfer, meteorological and atmospheric research. This antenna can be installed on vessels, vehicles or various buildings.

---

**Geoidsoft Inc. - Mobile GPS Online**

3151 Strandherd Drive, P. O. Box 45535, Ottawa, ON K2J 0P9 Canada

<https://www.mobilegpsonline.com> e-mail: [sales@mobilegpsonline.com](mailto:sales@mobilegpsonline.com)

Tel.: 613-8230926

## Features

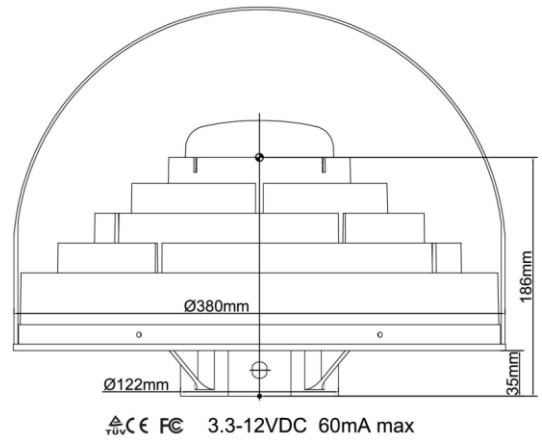
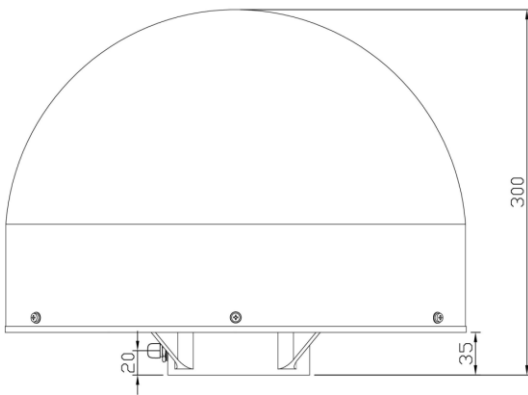
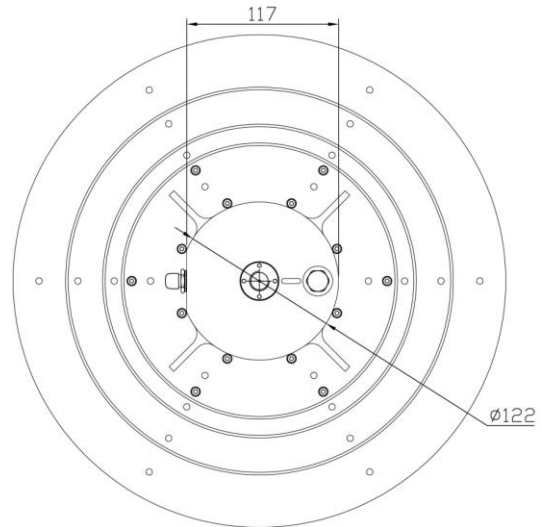
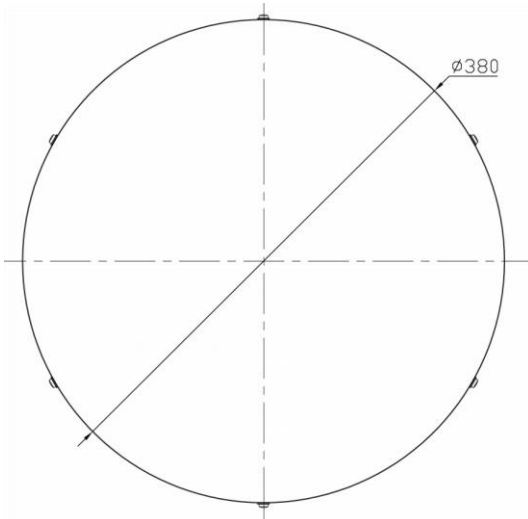
- Excellent phase center stability and millimetre-level precision.
- Choke structure can effectively achieve multipath signal suppression.
- High gain of this choke ring antenna at low elevation angles ensures strong tracking ability of satellites at a low elevation.
- A series of low noise amplifiers (LNA) is available to meet custom end-user requirements.
- The radome is designed to protect against water, ice and stain, making this GPS antenna suitable for outdoor applications.

## Applications

**JCA229** can support any type of GNSS receivers that use the GPS L1/L2/L5, GLONASS G1/G2, BeiDou B1/B2/B3, and Galileo E1/E2/E5/E6. Its typical applications include:

- High-precision surveying and mapping
- Marine surveying
- Road construction
- Reference stations
- Deformation monitoring
- Earthquake prediction
- Satellite signal transfer
- Meteorological and atmospheric research etc.

**Specifications**



CE FC 3.3-12VDC 60mA max

## Specifications

Item		Specifications
Antenna	Frequency	GPS L1/L2/L5 GLONASS G1/G2 COMPASS B1/B2/B3 Galileo E1/E2/E5a/E5b/E6
	Polarization	RHCP
	Axial Ratio	≤3dB
	V.S.W.R	≤2.0
	Peak Gain	≥7dBi
	Impedance	50Ω
	Phase Center Error	±1mm
	Horizontal coverage angle	360°
LNA	Gain	40±2dB
	Noise Figure	≤2dB
	Passband fluctuation	±2dB
	Supply Voltage	3.3~12V DC
	Current Consumption	≤45mA
	V.S.W.R	≤2.0
Mechanical	Connector	TNC-K
	Dimension	Φ380*300mm
Environmental	Operating Temperature	-40°C~+85°C
	Storage temperature	-55°C~+85°C
	Relative Humidity	Up to 95%

---

**Geoidsoft Inc. - Mobile GPS Online**

3151 Strandherd Drive, P. O. Box 45535, Ottawa, ON K2J 0P9 Canada

<https://www.mobilegpsonline.com> e-mail: [sales@mobilegpsonline.com](mailto:sales@mobilegpsonline.com)

Tel.: 613-8230926