

GNSS Surveying Antenna

JCA228

Survey grade waterproof antenna designed to support ultra-high accuracy for land and marine applications!



JCA228 GNSS Surveying Antenna GNSS surveying antenna is ready to support GPS, GLONASS and Compass (BeiDou) frequency allocations. This GNSS active antenna features high gain, excellent low elevation gain, circular polarization, stable phase center, etc. This GNSS navigation antenna is well-suited to high-precision surveying and mapping applications in industries like geodesy, road construction, marine surveying, container terminal operations, etc.

Geoidsoft Inc. - Mobile GPS Online

3151 Strandherd Drive, P. O. Box 45535, Ottawa, ON K2J 0P9 Canada

<https://www.mobilegpsonline.com> e-mail: sales@mobilegpsonline.com

Tel.: 613-8230926

Features

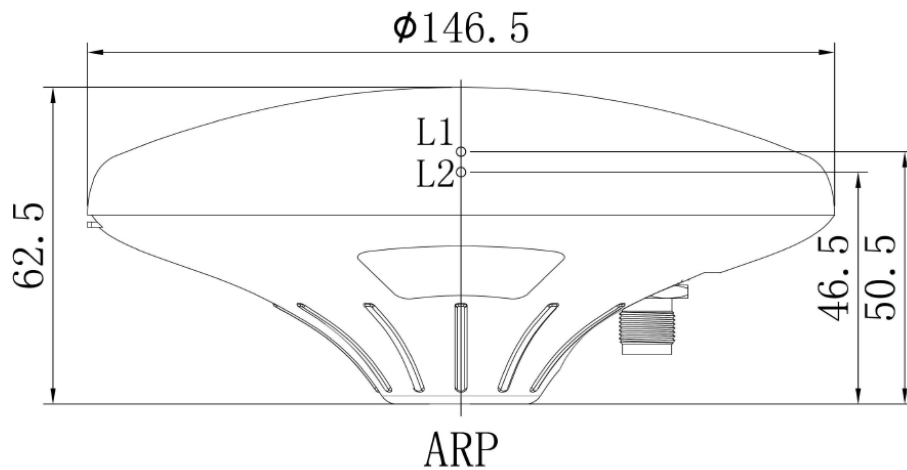
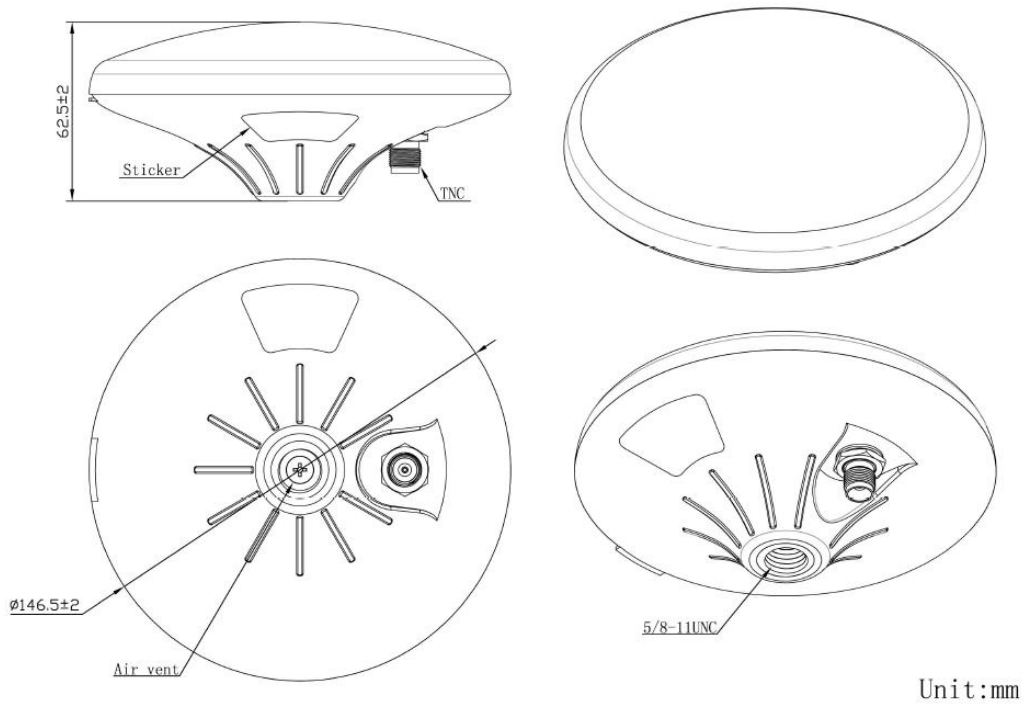
- This GNSS surveying antenna uses multi feed point design to ensure the superposition of phase center and geometrical center which could minimize the influence of measurement error to lowest range.
- High gain and wide beam radiation patterns of this GNSS active antenna allow strong signal acquisition, even in some seriously-sheltered places.
- The radome is resistant to impact of high and low temperature, it's waterproof and UV-proof, ensure the long service life of this GNSS navigation antenna, even in field work.
- Supports GPS, GLONASS, Galileo, and BeiDou systems.
- Multi frequencies allows for faster initialization by improving the number of satellites available.

Applications

JCA228 can support any type of GNSS receivers that use the GPS L1/L2, GLONASS G1/G2, BeiDou B1/B2/B3, and Galileo E5b/E6. Its typical applications include:

- High-precision surveying and mapping
- Marine surveying
- Road construction
- Single & Multiple frequencies RTK positioning
- AVL
- Vehicle Tracking
- Security Surveillance
- Precise Guidance
- Machine Control

Installation



Mechanical Offsets Units in “mm”

Note: JCA228 is sold without any connection cables and installation stands. The connection cables and the stands are sold as separate accessories.

**Specifications**

Item		Specifications
Antenna	Frequency	GPS L1/L2 GLONASS L1/L2 COMPASS B1/B2/B3 Galileo E5b/E6
	Polarization	RHCP
	Axial Ratio	≤3dB
	V.S.W.R	≤1.5
	Peak Gain	≥5dBi
	Impedance	50 Ω
	Phase Center Error	±2mm
	Horizontal coverage angle	360°
LNA	Gain	40 ± 2dB
	Noise Figure	≤1.5dB
	Passband fluctuation	±1dB
	Supply Voltage	3~5.5V DC
	Current Consumption	≤45mA
	V.S.W.R	≤2.0
Mechanical	Connector	TNC-K
	Radome Material	ABS
	Mounting Method	Screw
Environmental	Operating Temperature	-40℃~+85℃
	Relative Humidity	Up to 95%
	Ingress Protection	IP67 (exclude Air vent in screw hole)
	Environmentally Friendly	ROHS Compliant

Geoidsoft Inc. - Mobile GPS Online

3151 Strandherd Drive, P. O. Box 45535, Ottawa, ON K2J 0P9 Canada

<https://www.mobilegpsonline.com> e-mail: sales@mobilegpsonline.com

Tel.: 613-8230926