

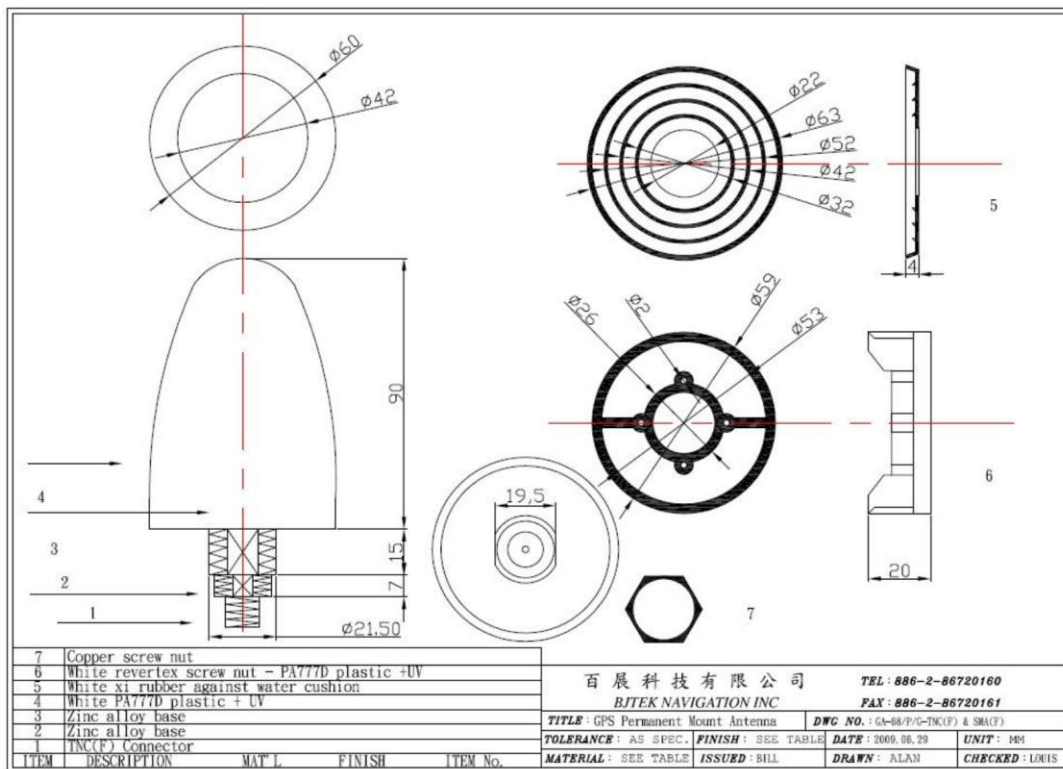
A Company of Geoidsoft Inc.

Marine GPS/VHF Combo Antenna

MGO-GVA-60L



Dimensions



Mobile GPS Online – Geoidsoft Inc.

3151 Strandherd Drive, P. O. Box 45535, Ottawa, ON K2J 0P9 Canada

<http://www.mobilegpsonline.com> e-mail: sales@mobilegpsonline.com

Tel.: 613-8230926

Specifications

PHYSICAL CONDITION	
Constructions:	Polycarbonate radome, detachable cable/connector for easy mount, rubber-O-ring between top radome and screw base for waterproof
Dimensions:	60mm(Dia.) x 90mm(H)
Weight:	65grams (w/o cable & connector).
Color:	White or Black (Optional)
Mounting:	FB6 SUS L-MOUNTING
Cable & Connector	
RF cable:	SMA(M)-10M RG58 -TNC(M) or Optional
Pulling strength:	6 Kg @ 5sec. molded plastic on connector end for strain relief.
Connector available:	TNC(F) or SMA(F)
Antenna Element	
Center Frequency:	1575.42 MHz +/-1.023 MHz
Polarization:	R.H.C.P. (Right Handed Circular Polarization).
Absolute Gain @ Zenith:	+5 dBi typical.
Gain @ 10° Elevation:	-1 dBi typical.
Axial Ratio:	3 dB max.
Output VSWR:	2.0
Output Impedance:	50 ohm
Low Noise Amplifier	
Center Frequency:	1575.42 +/- 1.023 MHz
Power Gain:	28 db +/-3db
Bandwidth:	10 MHz min. @S11\leq-10 dB
Noise Figure:	1.5 typ
Outer Band Attenuation:	3 dB max.
Supply Voltages:	2.5~5.5V DC.
Current Consumption:	at 2.5V 6.6mA Typ. at 3.0V 8.6mA Typ. at 4.0V 12.6mA Typ. at 5.0V 16.6mA Typ.
Filter	20dB 25dB @ fo+/- 50MHz 30dB 35dB @ fo+/- 100MHz * fo=1575.42MHz
Overall Performance: (antenna element, LNA & coax cable)	
Center Frequency:	1575.42 +/- 1.023 MHz
Gain:	At 90° vertical to sky 30 ± 4.5dBi (cable loss) Note:1 Mounted on the 60mm x 60mm square ground plane
Noise Figure:	1.5 max.
Axial Ratio:	3 dB max.
Bandwidth:	10 MHz min. @S11\leq-10 dB
VSWR:	2.0 max.
Output Impedance:	50 ohm
Environmental	
Operating Temperature:	-40°C~ +100°C.
Storage Temperature:	-40°C~ +100°C.
Relative Humidity:	95% non-condensing.
Water Resistance:	100% waterproof.

Mobile GPS Online – Geoidsoft Inc.

3151 Strandherd Drive, P. O. Box 45535, Ottawa, ON K2J 0P9 Canada

<http://www.mobilegpsonline.com> e-mail: sales@mobilegpsonline.com

Tel.: 613-8230926

Specifications

VHF Antenna Specifications:

Fr :	156 ~ 165 Mhz
Gain:	1dB
Configuration :	1/4 wave
VSWR	2.0:1
Impedence:	50 ohm
Connector:	RG174-15CM-SMA(F)
Ground	With FB6 SUS L mounting

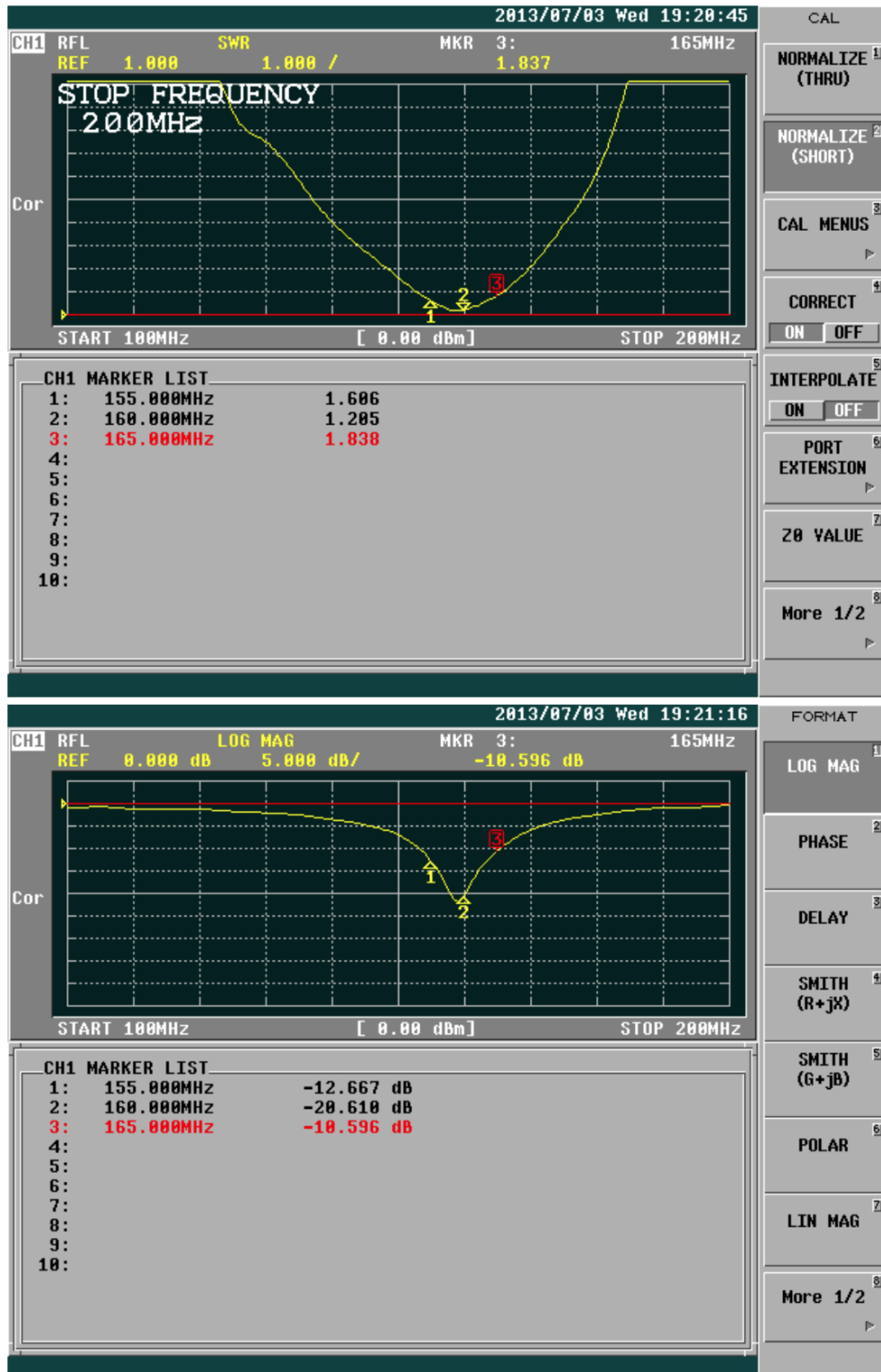
* This specification is subject to change without prior notice

Data Updated: July.11, 2013

Mobile GPS Online – Geoidsoft Inc.

3151 Strandherd Drive, P. O. Box 45535, Ottawa, ON K2J 0P9 Canada
<http://www.mobilegpsonline.com> e-mail: sales@mobilegpsonline.com
Tel.: 613-8230926

Radiation Pattern



Radiation Pattern

