

A Company of Geoidsoft Inc.

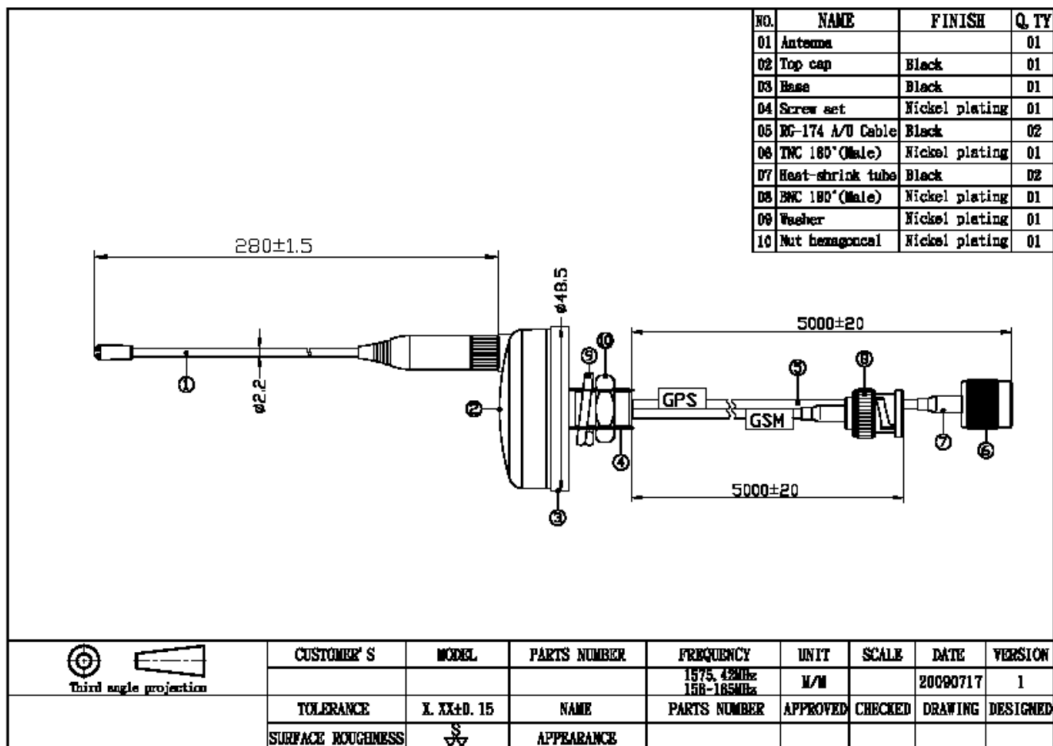
## Marine GPS/VHF Combo Antenna

# MGO-GVA-150B



MGO-GVA-150B is a drill a hole fixed GPS and VHF combined Antenna. It is designed for AIS system and boat management that use a double frequency GPS/VHF antenna.

### Dimensions



Mobile GPS Online – Geoidsoft Inc.

3151 Strandherd Drive, P. O. Box 45535, Ottawa, ON K2J 0P9 Canada

<http://www.mobilegpsonline.com> e-mail: [sales@mobilegpsonline.com](mailto:sales@mobilegpsonline.com)

Tel.: 613-8230926

## Specifications

PHYSICAL CONDITION	
Constructions:	Polycarbonate radome, rubber-O-ring between top radome and screw base for waterproof
Dimensions:	47.2mm(Dia.) x 38mm(H)
Weight:	240grams (with 5M cable & connector).
Color:	Standard in Black
Mounting:	Bulkhead mount with 0.46 inch threaded wing nut.
Cable & Connector	
RF cable:	5 meter RG174/U (standard) other length (optional)
Pulling strength:	6 Kg @ 5sec. molded plastic on connector end for strain relief.
Connector available:	SMA/SMB/MCX/MMCX/GT5/FME---
Optional:	Universal Connector Adapter (FME to TNC/BNC/SMA/SMB/MCX)
Antenna Element	
Center Frequency:	1575.42 MHz +/-1.023 MHz
Polarization:	R.H.C.P. (Right Handed Circular Polarization).
Absolute Gain @ Zenith:	+5 dBi typical.
Gain @ 10° Elevation:	-1 dBi typical.
Axial Ratio:	3 dB max.
Output VSWR:	1.5 max
Output Impedance:	50 ohm
Low Noise Amplifier	
Center Frequency:	1575.42 MHz
Power Gain:	28db +/-4.5db
Bandwidth:	10MHz min.
Noise Figure:	1.5 min.
Outer Band Attenuation:	3 dB max.
Supply Voltages:	2.5-5.5V DC
Current Consumption:	2.5V : 6.6mA Typ. 3V: 8.6mA Typ. 4V: 12.6mA Typ. 5V: 16.6mA Typ.
Output Impedance:	50W ohm
Overall Performance: (antenna element, LNA & coax cable)	
Center Frequency:	1575.42 Mhz.
Gain:	At 90° 30 ± 4.5dBi-(cable loss) Note:1 Mounted on the 60mm x 60mm square ground plane
Noise Figure:	2.0 max.
Axial Ratio:	3 dB max.
Bandwidth:	2MHz min.
VSWR:	2.0 max.
Output Impedance:	50W ohm
Environmental	
Operating Temperature:	-40°C~ +85°C.
Storage Temperature:	-50°C~ +90°C.
Relative Humidity:	95% non-condensing.
VHF Annt	
Frequency	156-165Mhz ( AIS System)
VSWR	<2.0 Max
156Mhz	1.5
160Mhz	1.1
165Mhz	1.4
Impedence	50Ω
Cable type	RG174
Cable length	5M
Connector	SMA Coding or Others
Power	5-10W

### Mobile GPS Online – Geoidsoft Inc.

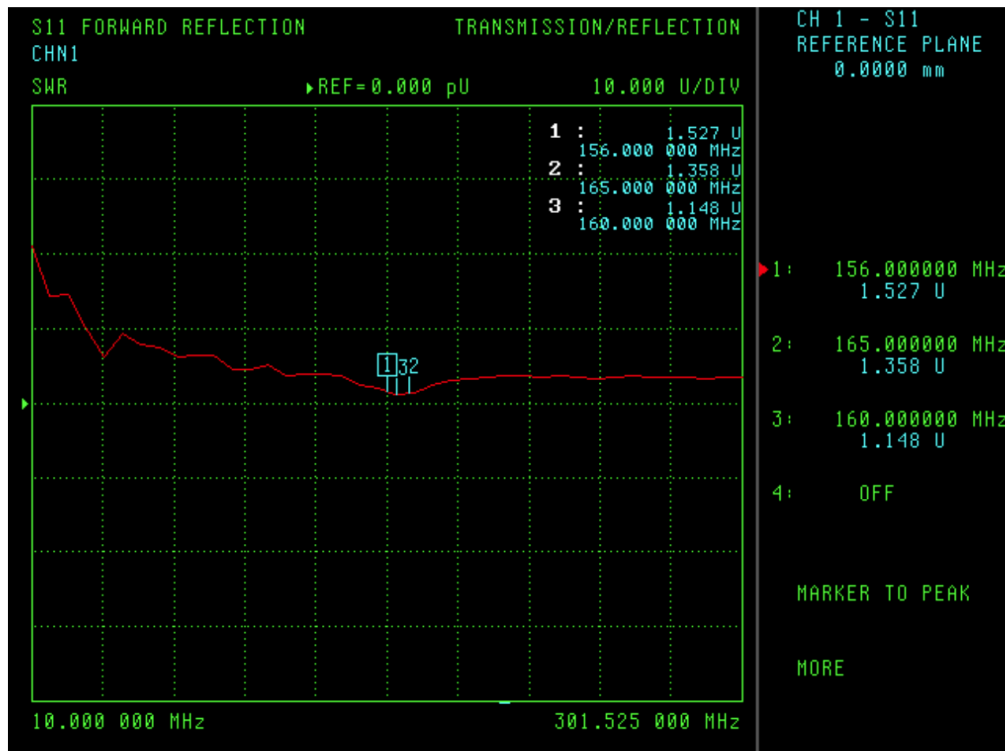
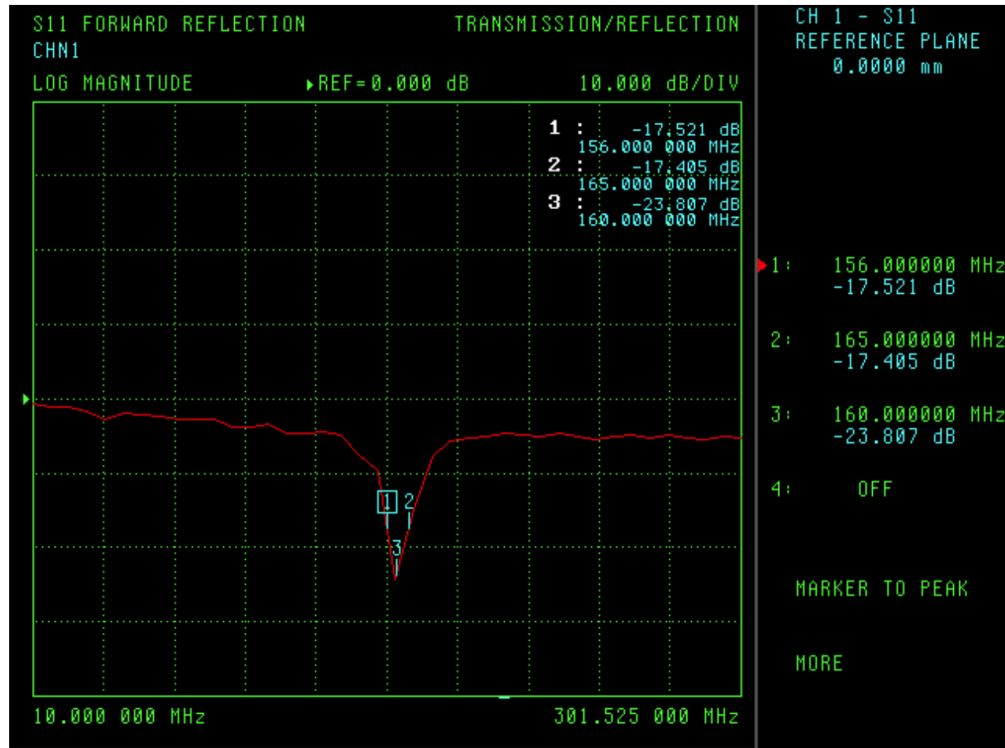
3151 Strandherd Drive, P. O. Box 45535, Ottawa, ON K2J 0P9 Canada

<http://www.mobilegpsonline.com> e-mail: [sales@mobilegpsonline.com](mailto:sales@mobilegpsonline.com)

Tel.: 613-8230926



## Radiation Pattern



Mobile GPS Online – Geoidsoft Inc.

3151 Strandherd Drive, P. O. Box 45535, Ottawa, ON K2J 0P9 Canada

<http://www.mobilegpsonline.com> e-mail: [sales@mobilegpsonline.com](mailto:sales@mobilegpsonline.com)

Tel.: 613-8230926