



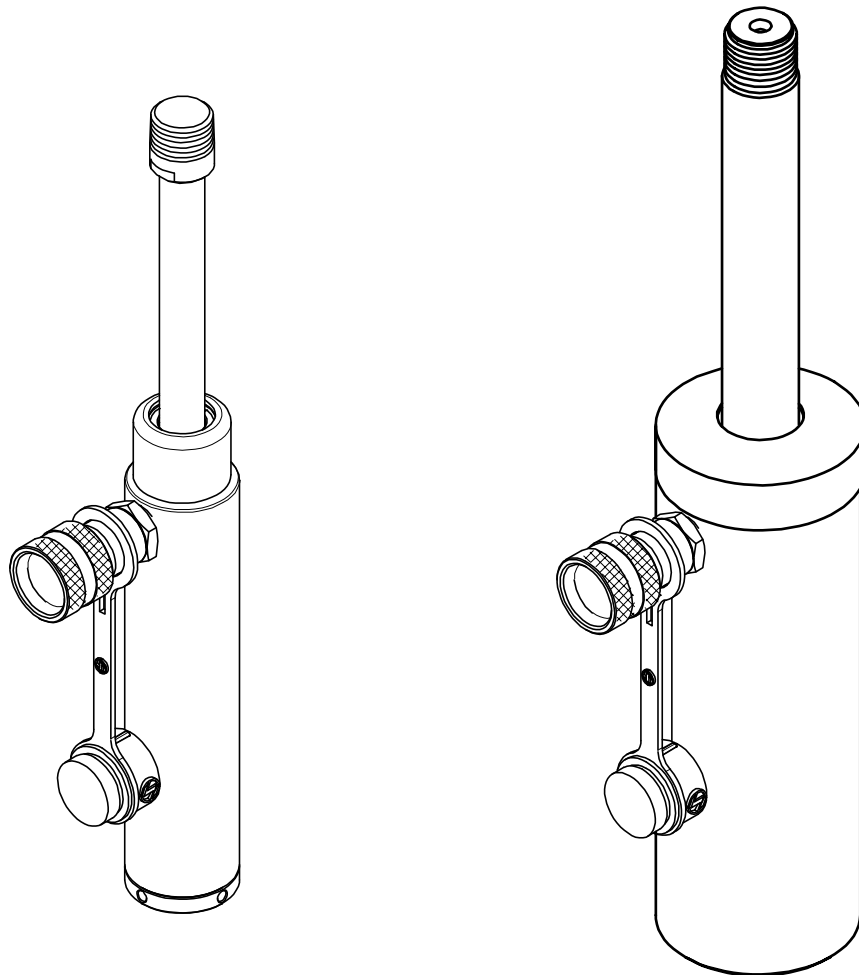
Single Acting Pull Cylinders Instruction Manual

**MODELS: HP0205
HP0505
HP1006**

**- 2 Ton capacity
- 5 Ton capacity
-10 Ton capacity**

SFA Companies 10939 N. Pomona Ave. Kansas City, MO 64153
Tel: 888-332-6419 * Fax: 816-891-6599
E-mail: sales@bvahydraulics.com Website: www.bvahydraulics.com

Maximum Operating Pressure 10,000 PSI



This is the safety alert symbol. It is used to alert you to potential personal injury hazards. Obey all safety messages that follow this symbol to avoid possible injury or death.

SAFETY AND GENERAL INFORMATION

Save these instructions. For your safety, read and understand the information contained within. The owner and operator shall have an understanding of this product and safe operating procedures before attempting to use this product. Instructions and safety information shall be conveyed in the operator's native language before use of this product is authorized. Make certain that the operator thoroughly understands the inherent dangers associated with the use and misuse of the product. If any doubt exists as to the safe and proper use of this product as outlined in this factory authorized manual, remove from service immediately.

Inspect before each use. Do not use if leaking, broken, bent, cracked or otherwise damaged parts are noted. If the cylinder has been or suspected to have been subjected to a shock load (a load dropped suddenly, unexpectedly upon it), discontinue use until checked out by a BVA Hydraulics authorized service center. Owners and operators of this equipment shall be aware that the use and subsequent repair of this equipment may require special training and knowledge. It is recommended that an annual inspection be done by qualified personnel and that any missing or damaged parts, decals, warning/safety labels or signs be replaced with BVA Hydraulics authorized replacement parts only. Any cylinder that appears to be damaged in any way, is worn or operates abnormally shall be removed from service immediately until such time as repairs can be made.

PRODUCT DESCRIPTION

BVA Hydraulics Single Acting Pull Cylinder is designed for rated capacity pulling jobs. A wide variety of applications exist for this category of product. Special skill, knowledge and training may be required for a specific task and the product may not be suitable for all the jobs described above. Unsuitable applications would include applications that call for a device to move, level or support persons, animals, hazardous materials, mobile homes/dwellings in general, mirrors and/or plate glass, and/or to connect/secure hatches, components, etc. between bulkheads. The user ultimately must make the decision regarding suitability of the product for any given task and therefore accept responsibility for that decision. Immediately after lifting, loads must be supported by appropriate mechanical means.

WARNING: NEVER use hydraulic cylinder as a support device.

WARNING: Always check connections before using. Alteration of these products is strictly prohibited. Use only those adapters and attachments provided and approved by the manufacturer.

WARNING: To reduce the risk of personal injury and/or property damage, ensure that the rated working pressure of each pressurized attachment be equal to or greater than the rated working pressure developed by the hydraulic pump.

BEFORE USE

1. Before using this product, read the owner's manual completely and familiarize yourself thoroughly with the product, its components and recognize the hazards associated with its use.
2. Verify that the product and the application are compatible. If in doubt, call BVA Hydraulics Technical Service (888) 332-6419.
3. Inspect before each use. Do not use if bent, broken, leaking or damaged components are noted.
4. Replace worn or damaged parts and assemblies with BVA Hydraulics authorized replacement parts only. Lubricate as instructed in Maintenance Section.
5. Ensure method of confirming load is accurate and working properly. Have gauge or load cell accuracy verified by qualified personnel on a yearly basis.

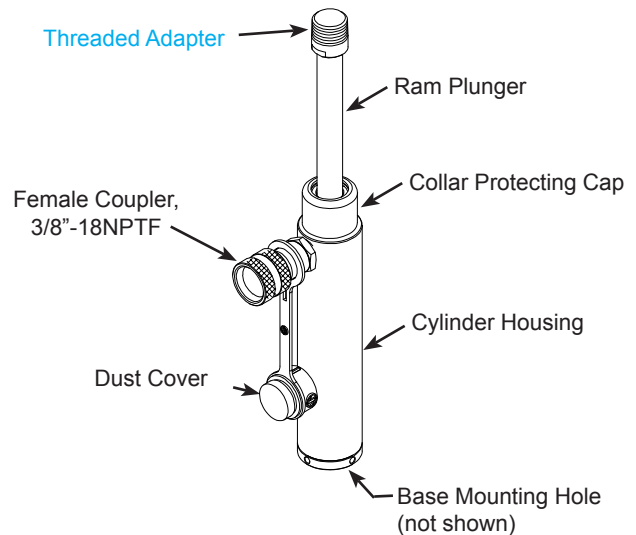


Figure 1 - Typical Cylinder Components

⚠ WARNING



Failure to comply with the following warnings may result in **personal injury** as well as **property damage**.



- Study, understand, and follow all instructions provided with and on this device before use.
- The user must be a qualified operator familiar with the correct operation, maintenance, and use of cylinders.



Wear protective gear when operating hydraulic equipment.



This device is **NOT** suitable for use as **support** device! As the load is lifted, use blocking and cribbing to guard against a falling load. Stay clear of a lifted load before it is properly supported. Never rely on hydraulic pressure to support a load.



Crush Hazard. Keep hands and feet away from cylinder and workpiece during operation.



- Do not exceed rated capacity of the cylinder or any equipment in the system. The cylinder is designed for a max. pressure of 10,000 psi.
- Do not connect a cylinder to a pump with higher pressure rating.
- Do not subject cylinder to a shock loads, a load dropped suddenly, causing the system pressure to exceed rated pressure.



The system operating pressure must not exceed the pressure rating of the lowest rated component the system. Install a pressure gauge or other load measuring instrument to monitor the operating pressure. Burst hazard exists if hose, connection or any other component in the system exceed its rated pressure.



Avoid damaging hydraulic hose. Do not allow hose to kink, twist, curl, crush, cut or bend so tightly that fluid flow within the hose is blocked or reduced. Periodically inspect the hose for wear.



Do not pull, position or move cylinder setup by the hose. Use carrying handle or other means of safe transport.



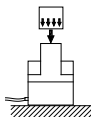
Do not handle pressurized hoses. Never attempt to grasp a leaking pressurized hose. Ensure to release the system pressure before disconnecting hydraulic hose or connections.



Hydraulic fluid can ignite and burn. Keep hydraulic equipment away from flames and heat. Excessive heat will soften seals, resulting in fluid leaks. Heat also weakens hose materials.



Cylinder must be on a stable base which is able to support the load while pushing or lifting. Use shims, friction material or constraints to prevent slippage of the base or load. Ensure cylinder is fully engaged into/onto adapters, extension accessories.



Center load on cylinder. Distribute load evenly across the entire saddle surface. Do not off-center loads on a cylinder. The load can tip or the cylinder can "kick out".



Never try to disassemble a hydraulic cylinder, refer repairs to qualified, authorized personal. Contact BVA Hydraulics tech service for authorized service center.



Do not subject hose to sharp objects or heavy impact.



Hose material or seals must not come in contact with corrosive materials such as battery acid, creosote-impregnated objects and wet paint. Never paint a coupler or hose.



- No alteration shall be made to the cylinder.
- Use only factory authorized fasteners, accessories and hydraulic fluid.

INSTALLATION

NOTICE: Use an approved, high-grade pipe sealant to seal all hydraulic connections.

1. Remove the dust cover and rubber plug from coupler.
2. Inspect all threads and fittings for signs of wear or damage, and replace as needed. Clean all threads and fittings.
3. Connect hydraulic hose from hydraulic pump to the cylinder coupler. Ensure that there are no fluid leaks.
4. Install in-line pressure gauge.
5. Check for leaks in system and have repaired by qualified personnel.

NOTICE: The use of cylinder attachments or extensions reduces the cylinder capacity by at least 50% per attachment/extension.

⚠ WARNING: Before operating the pump, tighten all hose connections with proper tools. Do not overtighten. Connections should only be tightened securely and leak-free. Overtightening can cause premature thread failure or high pressure fittings to burst.

⚠ WARNING: Before repairs are made, depressurize cylinder.

Tips for hydraulic hoses & fluid transmission lines:

- Avoid short runs of straight line tubing. Straight line runs do not provide for expansion and contraction due to pressure and/or temperature changes.
- Reduce stress in tube lines. Long tubing runs should be supported by brackets or clips.

SPECIFICATIONS

Model Number	Cylinder Capacity (tons)	Stroke (in)	Cylinder Effective Area (in ²)	Internal Pressure at Capacity (psi)	Oil Capacity (in ³)	Collapsed Height (in)	Extended Height (in)	Weight (lbs)	Cylinder Housing Dia. (in)	Collar Thread	Mounting Hole Dia.
HP0205	2.5	5.00	0.56	10,000	2.78	10.55	15.55	6.4	1.89	1 1/2"-16	3/4"-14NPTF
HP0505	5	5.55	1.14		6.34	11.95	17.48	9.3	2.25	2 1/4"-14	1 1/4"-11.5NPTF
HP1006	10	5.95	2.44		14.48	11.75	17.70	20.9	3.35	M85 x2	M30 x2

OPERATION

Operate the hydraulic pump to advance and retract the cylinder. **Do not** continue pumping when cylinder is fully extended. Internal pressure will build up and may damage the seal of the cylinder.

⚠ WARNING: **NEVER** rely on hydraulic pressure alone to secure a load! **NEVER** allow personnel to work or pass under a load until the load is secured by cribbing, blocking, or other mechanical means.

⚠ WARNING: *To help prevent material fatigue if the cylinder is to be used in a continuous application, the load should not exceed 85% of the rated capacity.*

⚠ WARNING: *Your cylinder, hose(s), couplings and pump all must be rated for the same maximum operating pressure, correctly connected and compatible with the hydraulic fluid used. An improperly matched system can cause the system to fail.*

⚠ WARNING: *All personnel must be clear before lowering load.*

MAINTENANCE

- Inspect hoses and connections daily. Replace damaged components immediately with BVA Hydraulics Replacement Parts only.
- Tighten connections as needed. Use pipe thread sealing compound when servicing connections.
- Always use clean, approved hydraulic fluid and change as recommended or sooner if the fluid becomes contaminated (never exceed 400 hours). Follow pump manufacturers instructions for changing and adding hydraulic fluid. Use only good quality hydraulic fluid. We recommend Mobil DTE13M or equivalent when using with hand pump or air pump; BVA Hydraulics Oil (F01) or equivalent when using with electric pump. **Never** use brake fluid, transmission fluid, turbine oil, motor oil, alcohol, glycerin etc. Use of other than good quality hydraulic oil will void warranty and damage the cylinder, pump, hose etc.
- Use an approved, high-grade pipe thread sealant to seal all hydraulic connections. Teflon tape can be used if only one layer of tape is used and it is applied carefully (two threads back) to prevent the tape from being introduced into hydraulic system. A piece of tape could travel through the system and obstruct the flow of fluid and adversely affect function.

Lubrication & Cleaning

Keep cylinder clean at all times.

- Any exposed threads (male or female) must be cleaned and lubricated regularly, and protected from damage. Lubricate with light machine oil.
- If a cylinder or ram has been exposed to rain, snow, sand, airborne abrasive, or any corrosive environment, it must be cleaned, lubricated, and protected immediately after exposure. Daily clean exposed ram with clean cloth dampened with light machine oil. Protect exposed ram from the elements at all times.
- Keep the hydraulic system as free of dirt as possible. When not in use, couplers must be sealed with dust covers. All hose connections must be free of dirt and grime. Any equipment attached to the cylinder must be kept clean.

Storage

Cylinders should be stored vertically with ram plunger fully retracted in a dry, protected area, not exposed to corrosive vapor, dust or other harmful elements. When a cylinder has not been used for a period of 4 months, it should be connected to a pump and fully extended and then retracted a minimum of 5 times. This cycle will lubricate the cylinder wall, reducing the possibility of corrosion and damage thereof.

How to remove faulty coupler:

If cylinder does not retract,

- Secure load by other means.
- Depressurize pump and hose.
- Remove the cylinder from application.
- Disconnect and replace with new coupler.

MAINTENANCE (cont.)

NOTICE: Do not attempt to grasp with pliers or wrench without first wrapping the jaws of such tool with rags or similar padding.

How to bleed air from system:

1. Place pump at a higher elevation than the hose and cylinder as shown in Figure 2.
2. Operate pump to fully extend and retract the cylinder 2 or 3 times. The objective is to force the air bubbles up hill and back to the pump reservoir.
3. Follow pump instruction manual to bleed the air from pump reservoir. On most pumps, air can escape by opening the oil filler plug/screw.

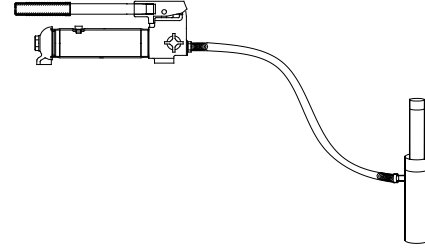


Figure 2 - Illustration to bleed air from system

TROUBLESHOOTING GUIDE

The following information is intended as an aid in determining if problem exists. Cylinders should be repaired only by authorized BVA Service Center. For repair service, contact service center in your area.

Symptom	Possible Causes	Corrective Action
Erratic action	<ul style="list-style-type: none"> • Air in system or pump cavitation. • External leakage in cylinder. • Cylinder sticking or binding. 	<ul style="list-style-type: none"> • Vent the system (refer to figure 2). • Contact service center. • Contact service center.
Cylinder will not extend, or respond to pressurized fluid	<ul style="list-style-type: none"> • Overload condition. • Loose couplers. • Faulty couplers. • Improper valve position. • Oil level in pump is low. • Pump not operating. • Air-locked pump. 	<ul style="list-style-type: none"> • Remedy overload condition. • Tighten couplers. • Replace both female and male couplers. • Close release valve or change valve position. • Fill and bleed the system. • Check pump's operating instructions. • Prime pump per pump operating instructions.
Cylinder extend only partially	<ul style="list-style-type: none"> • Oil level in pump is low. • Overload condition. • Cylinder is sticking or binding. 	<ul style="list-style-type: none"> • Fill and bleed the system. • Remedy overload condition. • Contact service center.
Cylinder move slower than normal	<ul style="list-style-type: none"> • Loose connection or coupler. • Restricted hydraulic line or fitting. • Pump not working correctly. • Cylinder seals leaking. 	<ul style="list-style-type: none"> • Tighten connection or coupler. • Clean and replace if damaged. • Check pump's operating instructions. • Contact service center.
Cylinder responds to pressurized fluid, but system does not maintain pressure	<ul style="list-style-type: none"> • Overload condition. • Pump or valve malfunctioning. • Cylinder seals leaking. 	<ul style="list-style-type: none"> • Remedy overload condition. • Check pump's operating instructions. • Contact service center.
Oil leaking from cylinder	<ul style="list-style-type: none"> • Worn or damaged seals. 	<ul style="list-style-type: none"> • Contact service center.
Cylinder will not retract or retracts slower than normal	<ul style="list-style-type: none"> • Improper valve position. • Malfunctioning coupler, damaged application. • Pump reservoir overfilled. • Cylinder damage internally. 	<ul style="list-style-type: none"> • Open release valve or change valve position. • Secure load by other means. Depressurize pump and hoses, remove application and replace coupler. • Secure load by other means. Depressurize pump and hoses, remove application, then drain fluid to proper level. • Contact service center.
Cylinder performs poorly	<ul style="list-style-type: none"> • Oil level in pump is low. • Air trapped in system. 	<ul style="list-style-type: none"> • Ensure proper oil level. • Vent the system (refer to figure 2).



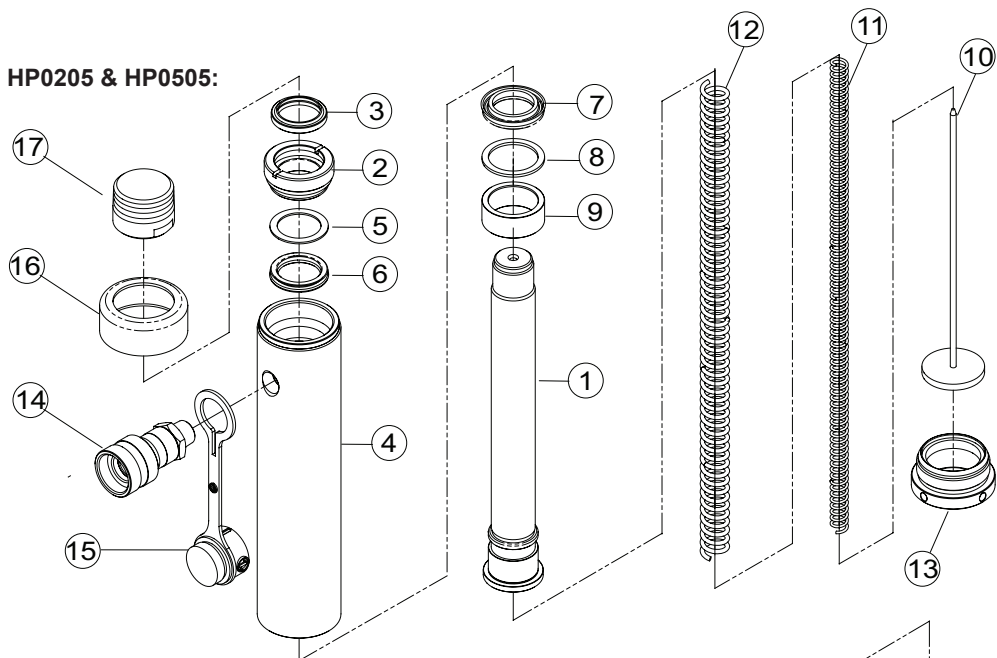
Single Acting Pull Cylinders Service Parts

MODELS: HP0205, HP0505 & HP1006

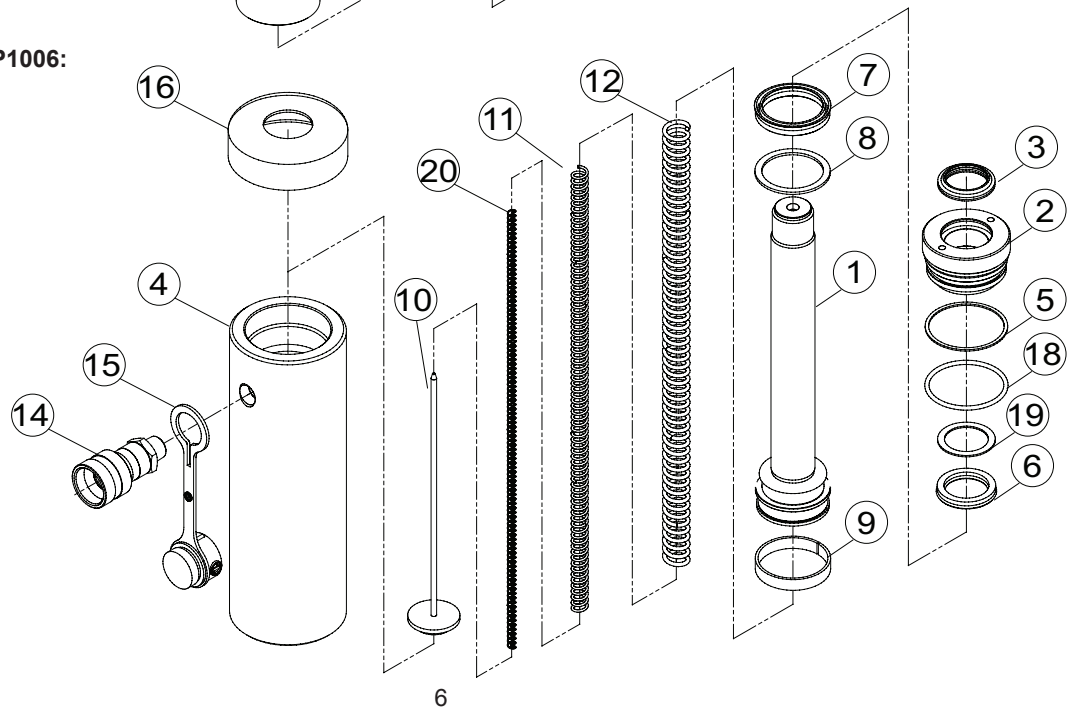
SFA Companies 10939 N. Pomona Ave. Kansas City, MO 64153
Tel: 888-332-6419 * Fax: 816-891-6599
E-mail: sales@bvahydraulics.com Website: www.bvahydraulics.com

Note: Not all components of the pump are replacement items, but are illustrated as a convenient reference of location and position in the assembly sequence.

For Models HP0205 & HP0505:



For Model HP1006:





Single Acting Pull Cylinders Service Parts

MODELS: HP0205, HP0505 & HP1006

SFA Companies 10939 N. Pomona Ave. Kansas City, MO 64153
 Tel: 888-332-6419 * Fax: 816-891-6599
 E-mail: sales@bvahydraulics.com Website: www.bvahydraulics.com

Note: Not all components of the pump are replacement items, but are illustrated as a convenient reference of location and position in the assembly sequence.

Item	Part Number for Model:			Description	Qty.
	HP0205	HP0505	HP1006		
1	N/A			Ram	1
2	H29-6-1804-104	H21-6-1804-108	H20-5-1804-105	Upper Bearing	1
3	*			Wiper Seal	1
4	N/A			Cylinder	1
5	*			Back-up Ring	1
6	*			U-cup	1
7	*			U-cup	1
8	*			Back-up Ring	1
9	H05-6-1204-106	H10-5-1204-109	H20-6-1214-100	Bearing	1
10	H29-3-1403-108	H21-3-1403-102	H20-3-1413-108	Guide Rod	1
11	511-2-0069-118	511-2-0125-103		Compression Spring	1
12	511-2-0125-112	511-2-0200-101		Compression Spring	1
13	H29-6-1204-100	H21-5-1204-108	-	Lower Bearing	1
14	CH38F			Female Coupler 3/8"-18NPTF	1
15	H02-4-6003-108			Dust Cap	1
16	H05-6-2305-107	H21-5-2305-109	H20-6-2306-100	Collar Protective Cap	1
17	H29-6-2808-107	H21-6-2812-102	-	Threaded Adapter	1
18	-			O-ring	1
19	-			Back-up Ring	1
20	-		511-2-0069-109	Compression Spring	1
(*)	H29-3-9901-104	H21-3-9910-109	H20-3-9910-102	Seal Kit	-

(*) - indicates items included in, and available only as part of Seal Kit

N/A - part is not available as replacement

Note: To ensure safe and reliable performance, replace worn or damaged parts with BVA Hydraulics Authorized Replacement Parts only.

LIMITED LIFETIME WARRANTY

BVA Hydraulics®, represented in the United States by SFA Companies ["SFA"] warrants this product to be free from defects in material and workmanship for the life of the product as long as the original purchaser owns the product. The warranty is non-transferable and is subject to the terms, exclusions, and limitations described below:

- Damaged components, including but not limited to bent rams, dented or crushed cylinder walls, broken welds or couplers as well as worn out seals, o-rings and springs are the result of misuse and not covered by warranty and BVA Hydraulics will not provide any warranty credit for such damaged components.
- This warranty does not cover ordinary wear and tear, overloading, alterations (including repairs or attempted repairs not performed by BVA Hydraulics or one of its authorized personnel), improper fluid use, or use of the product in any manner for which the product was not intended or the use of which is not in accordance with the instructions or warnings provided with the product.
- In the unlikely event that a BVA Hydraulics product fails due to material defect in workmanship, you may contact SFA for disposition. In such cases, the customer's sole and exclusive remedy for any breach or alleged breach of warranty is limited to the repair or replacement of the defective product.
- Under no circumstances is BVA Hydraulics liable for any consequential or incidental damage or loss whatsoever.
- THIS WARRANTY IS LIMITED TO NEW PRODUCTS SOLD THROUGH AUTHORIZED DISTRIBUTORS AND OTHER CHANNELS DESIGNATED BY BVA HYDRAULICS. NO AGENT, EMPLOYEE OR OTHER REPRESENTATIVE OF BVA HYDRAULICS IS AUTHORIZED TO MODIFY THIS WARRANTY.
- THE FOREGOING IS EXCLUSIVE AND IS IN LIEU OF ALL OTHER EXPRESS AND IMPLIED WARRANTIES, INCLUDING BUT NOT LIMITED TO THE IMPLIED WARRANTIES OF MERCHANTABILITY AND FOR A FITNESS FOR A PARTICULAR PURPOSE.
- Components not manufactured by BVA Hydraulics including certain motor systems, gasoline engines, and other are not covered by this warranty and instead are covered by the manufacturer's separate manufacturer's warranty provided in the package.
- BVA Hydraulics' liability in all cases is limited to, and will not exceed the purchase price paid for the product.





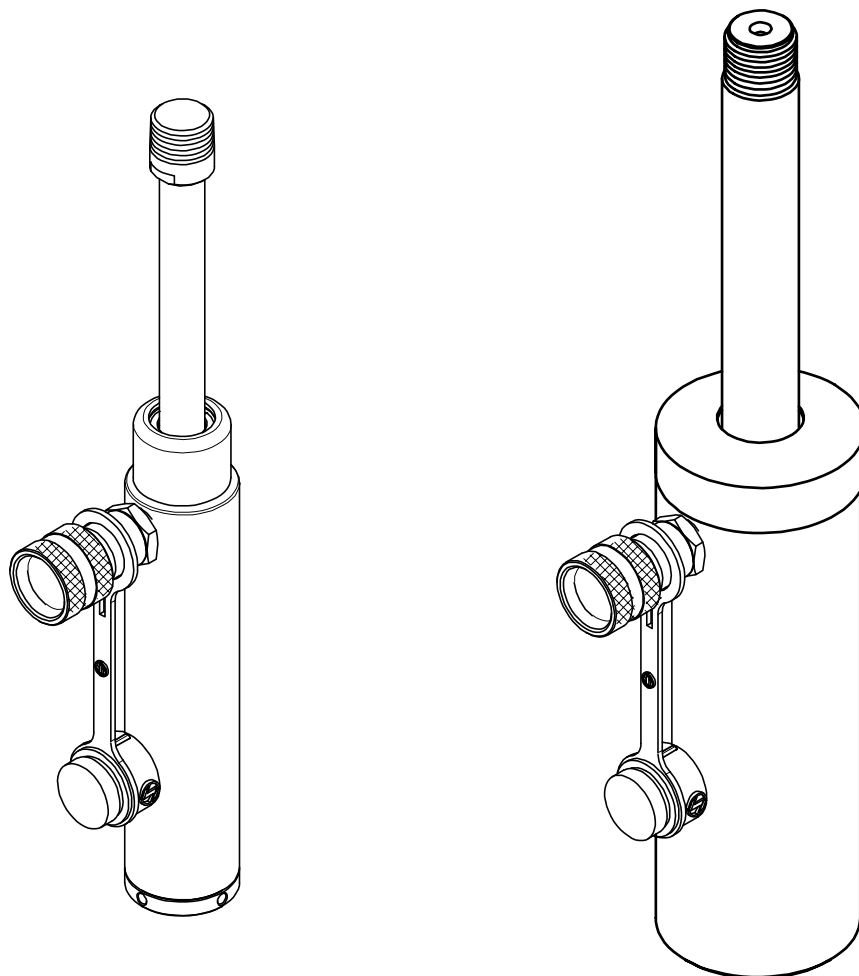
Vérins de tirage à effet simple Manuel d'instructions

MODÈLES : HP0205
HP0505
HP1006

- 1 814 Capacité en kg
- 4 535 Capacité en kg
- 9 071 Capacité en kg

SFA Companies 10939 N. Pomona Ave. Kansas City, MO 64153
Tél. : 1 888 332-6419 * Télécopieur : 816-891-6599
Courriel : sales@bvahydraulics.com Site Web : www.bvahydraulics.com

Pression d'utilisation maximale de 68,9 MPa



Voici le symbole signalant un danger pour la sécurité. Il est utilisé pour vous alerter des dangers potentiels de blessures.

Respectez tous les messages de sécurité qui suivent ce symbole afin d'éviter les blessures et la mort.

INFORMATIONS GÉNÉRALES ET INFORMATIONS RELATIVES À LA SÉCURITÉ

Conservez ces instructions. Pour votre sécurité, lisez et comprenez les informations contenues dans ce manuel. Le propriétaire et l'utilisateur doivent comprendre le fonctionnement de cet équipement et les consignes de sécurité associées à son utilisation avant de s'en servir. Avant que l'utilisation de ce produit ne soit autorisée, il faut faire connaître à l'opérateur, dans sa langue maternelle, les instructions et les informations relatives à la sécurité. Assurez-vous que l'opérateur comprenne parfaitement les dangers associés à l'utilisation de cet équipement ou à une utilisation incorrecte de celui-ci. S'il y a des doutes quant à la façon adéquate et sécuritaire de se servir de ce produit, telle que décrite dans ce manuel, il faut en cesser l'utilisation immédiatement.

Inspectez le support avant chaque utilisation. N'utilisez pas la cintreuse si elle présente des fuites ou des pièces brisées, déformées, fissurées ou endommagées d'une autre façon. Si l'on pense que le vérin a été soumis, ou semble avoir été soumis, à une surcharge d'impact (charge qui serait tombée accidentellement dessus), cessez de l'utiliser et faites-le vérifier par un centre de réparation agréé par BVA Hydraulics. Le propriétaire et l'utilisateur de cet équipement doivent savoir qu'il peut être nécessaire d'avoir des connaissances ou des habiletés spéciales pour utiliser ce produit. Il est recommandé qu'un personnel qualifié les inspecte annuellement et que les pièces manquantes ou endommagées, les étiquettes de nature générale, les étiquettes de sécurité ou d'avertissement et les indications soient seulement remplacées par des pièces de rechange autorisées par BVA Hydraulics. Tout vérin qui semble endommagé, qui est usé ou qui ne fonctionne pas correctement sera immédiatement mis hors service jusqu'à ce que des réparations puissent être effectuées.

DESCRIPTION DU PRODUIT

Le vérin de tirage à effet simple BVA Hydraulics est conçu pour les travaux de tirage à capacité nominale. Ce type d'équipement peut être utilisé pour un grand nombre de travaux. Des habiletés, des connaissances et une formation spéciales peuvent être requises pour faire une tâche spécifique et il est possible que le produit ne soit pas adéquat pour fonctionner avec les appareils mentionnés ci-dessus. Il ne faut pas utiliser ce produit pour faire fonctionner un appareil qui déplace, met à niveau ou supporte des personnes, des animaux, des matières dangereuses, des maisons mobiles et des habitations de façon générale, des miroirs et des glaces ou encore pour relier ou maintenir en place des écoutilles, des composants, etc. qui se trouvent entre des cloisons. Il revient à l'utilisateur de décider de la conformité de ce produit pour réaliser les tâches à effectuer et il doit, par conséquent, assumer la responsabilité de sa décision. Immédiatement après le levage, la charge doit être supportée par des moyens mécaniques appropriés.

⚠ MISE EN GARDE : *N'UTILISEZ JAMAIS le vérin hydraulique comme dispositif de support.*

⚠ MISE EN GARDE : *Inspectez toujours les raccords avant d'utiliser cet équipement. Il est strictement interdit de modifier ce produit. Utilisez seulement les adaptateurs et les accessoires fournis et approuvés par le fabricant.*

⚠ MISE EN GARDE : *Pour diminuer les risques de blessures et de dommages matériels, assurez-vous que la pression nominale de chaque accessoire sous pression est égale ou supérieure à la pression nominale produite par la pompe hydraulique.*

AVANT L'UTILISATION

1. Avant d'utiliser ce produit, lisez le manuel d'utilisation au complet et familiarisez-vous parfaitement avec le produit et ses composants, et identifiez les dangers associés à son utilisation.
2. Vérifiez que le produit est compatible avec la tâche à accomplir. En cas de doute, communiquez avec le service technique de BVA Hydraulics au 1 888 332-6419.
3. Inspectez le support avant chaque utilisation. Ne l'utilisez pas s'il y a des pièces déformées, brisées, endommagées ou des pièces qui fuient.
4. Remplacez les pièces et les assemblages usés ou endommagés seulement par des pièces de rechange autorisées par BVA Hydraulics. Lubrifiez selon les instructions de la section « Entretien ».
5. Assurez-vous que la méthode pour mesurer la charge est précise et donne de bons résultats. Faites vérifier annuellement la précision du dynamomètre piézoélectrique ou du manomètre par un personnel qualifié.

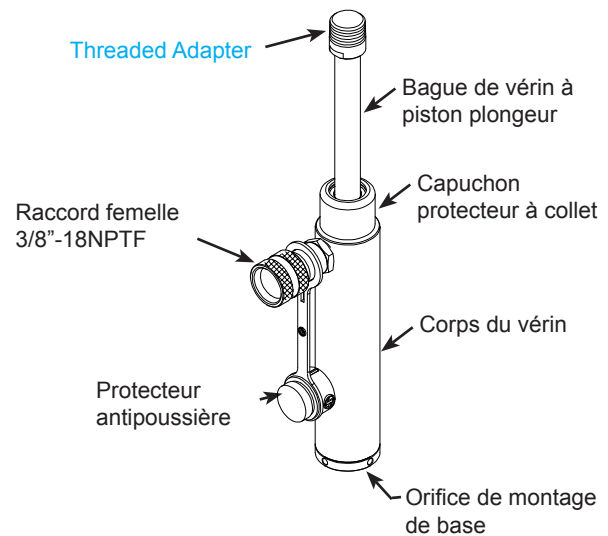


Figure 1 - Composants de vérin type

⚠ MISE EN GARDE



Le **non-respect des avertissements** ci-dessous peut entraîner des blessures ainsi que des dommages matériels.



- Assurez-vous de lire, de bien comprendre et de suivre toutes les consignes fournies ou qui se trouvent sur l'appareil avant de l'utiliser.

- L'utilisateur doit être un opérateur qualifié qui s'est familiarisé avec le fonctionnement, l'utilisation correcte et l'entretien des vérins.



Portez de l'équipement de protection lorsque vous utilisez de l'équipement hydraulique.



Cet appareil **N'EST PAS** adéquat pour **soutenir** des charges! Lorsqu'une charge est soulevée, utilisez un sommier et des cales pour se protéger des chutes de charge. Tenez-vous à distance d'une charge soulevée jusqu'à ce qu'elle soit soutenue de manière adéquate. N'utilisez jamais la pression hydraulique pour supporter une charge.



Danger d'écrasement. Gardez les mains et les pieds éloignés du vérin et de la pièce de travail pendant l'utilisation de l'appareil.



- Ne dépassez pas la pression nominale du vérin ou de tout équipement du système. La pression nominale du vérin est de 68,9 MPa.

- Ne reliez pas de vérin à une pompe avec une pression nominale plus élevée.

- Ne soumettez pas le vérin à une charge d'impact, soit une charge qui tombe dessus de manière soudaine, ce qui fait que la pression du système dépasse la pression nominale.



La pression de fonctionnement du système ne doit pas dépasser la pression nominale du composant du système ayant la pression nominale la plus basse. Installez un manomètre ou un autre instrument mesurant la charge afin de faire le suivi de la pression de fonctionnement. Si la pression d'un tuyau, d'un branchement ou de tout autre composant du système dépasse sa pression nominale, cela entraîne des risques d'éclatement.



Évitez d'endommager les tuyaux hydrauliques. Faites en sorte que les tuyaux ne soient pas coupés, écrasés, entortillés ou pliés au point où l'écoulement du liquide est bloqué ou devient restreint. Inspectez périodiquement les tuyaux pour voir s'il y a de l'usure.



Ne tirez pas, ne positionnez pas et ne déplacez pas le montage du vérin en tirant sur le tuyau. Utilisez la poignée de transport ou un autre moyen sécuritaire pour le déplacer.



Ne manipulez pas de tuyaux sous pression. N'essayez jamais de saisir un tuyau sous pression qui fuit. Assurez-vous de dépressuriser le système avant de débrancher un tuyau hydraulique ou de défaire des branchements.



Un liquide hydraulique peut s'enflammer et brûler. Maintenez l'équipement hydraulique à distance des flammes et de la chaleur. La chaleur excessive ramollit les joints, ce qui entraîne des fuites. Les matériaux des tuyaux deviennent aussi moins solides à cause de la chaleur.



Le vérin doit être placé sur une base stable capable de supporter la charge lors des poussées ou du levage. Utilisez des cales, des matériaux de friction ou des fixations pour empêcher que la base ou la charge glisse. Assurez-vous que le vérin est bien inséré dans les adaptateurs et les rallonges.



Centrez la charge sur le vérin. Distribuez la charge de manière uniforme sur toute la surface du point d'appui. Ne faites pas reposer la charge ailleurs que sur le centre du vérin. Sinon, la charge peut basculer ou le vérin peut « donner un coup ».



N'essayez jamais de désassembler un vérin hydraulique. Faites faire les réparations par un personnel qualifié qui est autorisé à les faire. Communiquez avec le soutien technique de BVA Hydraulics pour connaître les centres de services autorisés.



Ne soumettez pas les tuyaux à des impacts forts et évitez qu'ils entrent en contact avec des objets coupants.



Les matériaux des tuyaux et les joints ne doivent pas entrer en contact avec des matières ou des matériaux corrosifs comme de l'acide sulfurique, des objets imprégnés de créosote et de la peinture qui n'est pas sèche. Ne peignez jamais un raccord ni un tuyau.



- Ne modifiez pas le vérin.
- Utilisez seulement des fixations, des accessoires et du liquide hydraulique autorisés par le fabricant.

INSTALLATION

AVIS : Utilisez un scellant de haute qualité pour filets de tuyaux qui a été approuvé afin de sceller tous les branchements hydrauliques.

- Enlevez le protecteur antipoussière et le bouchon en caoutchouc du raccord.
- Inspectez tous les filets et les raccords pour voir s'il y a de l'usure ou des dommages et remplacez-les au besoin. Nettoyez tous les filets et les raccords.
- Branchez le tuyau hydraulique sur la pompe hydraulique et le raccord du vérin. Assurez-vous qu'il n'y a pas de fuites.
- Installez un manomètre en ligne.
- Vérifiez qu'il n'y a pas de fuites dans le système et faites faire les réparations par un personnel qualifié.

AVIS : La capacité du vérin diminue d'au moins 50 % pour chaque rallonge ou accessoire utilisé avec celui-ci.



MISE EN GARDE : Avant d'utiliser la pompe, serrez tous les branchements de tuyaux avec des outils adéquats. Ne les serrez pas trop. Les branchements devraient être serrés juste assez pour qu'il n'y ait pas de fuites et pour qu'ils soient bien fixés. Un trop grand serrage peut entraîner une usure prématurée des filets ou des éclatements de raccords là où la pression est très élevée.



MISE EN GARDE : Avant de réparer cet équipement, procédez à sa dépressurisation.

Conseils pour utiliser des tuyaux hydrauliques et des tuyaux transportant des fluides :

- Évitez de relier des appareils avec de courts tuyaux droits. Les courses en ligne droite ne tiennent pas compte de l'expansion et de la contraction en raison des modifications de pression ou de température.
- Réduisez les contraintes des tuyaux. Les longs tuyaux devraient être soutenus par des ferrures ou des attaches.

SPÉCIFICATIONS

N° de modèle	Capacité du vérin (kg)	Course (cm)	Aire de fonctionnem. du vérin (cm) ²	Pression interne à la capacité nominale (MPa)	Volume maximal d'huile (cm) ³	Hauteur lorsque complètem. rentré (cm)	Hauteur lorsque complètem. sorti (cm)	Poids (kg)	Diamètre du corps du vérin (cm)	Filetage du collet	Diam. d'orifice de montage
HP0205	1 814	12,7	1,42	68.9	7,06	26,80	39,50	2,9	4,80	1 1/2"-16	3/4"-14NPTF
HP0505	4 535	14,1	2,89		16,10	30,35	44,40	4,21	5,71	2 1/4"-14	1 1/4"-11.5NPTF
HP1006	9 071	15,11	6,20		36,78	29,85	44,96	9,48	8,51	M85X2	M30x2

FONCTIONNEMENT

Utilisez la pompe hydraulique pour faire sortir et rentrer le vérin. Ne continuez **pas** à actionner le levier lorsque le vérin est entièrement sorti. Cela fera augmenter la pression interne et peut endommager les joints du vérin.

⚠ MISE EN GARDE : N'UTILISEZ JAMAIS la pression hydraulique pour supporter une charge. **NE PERMETTEZ JAMAIS** au personnel de travailler ou de passer sous une charge jusqu'à ce que celle-ci soit soutenue par un sommier, des cales ou par d'autres moyens mécaniques.

⚠ MISE EN GARDE : *Pour prévenir les ruptures par fatigue des matériaux si le vérin est utilisé de manière continue, la charge ne devrait pas dépasser 85 % de la capacité nominale.*

⚠ MISE EN GARDE : *Le vérin, les tuyaux, les raccords et la pompe doivent tous avoir la même pression maximale de fonctionnement, être branchés correctement et être compatibles avec le liquide hydraulique employé. Un système composé d'éléments mal adaptés entre eux peut entraîner le bris du système.*

⚠ MISE EN GARDE : *Assurez-vous que personne ne se trouve sous la charge lorsque vous l'abaissez.*

ENTRETIEN

- Inspectez les tuyaux et les branchements quotidiennement. Remplacez les composants endommagés immédiatement avec des pièces de rechange BVA Hydraulics uniquement.
- Serrez les raccords selon les besoins. Utilisez un scellant pour filets de tuyaux lors de l'entretien des branchements.
- Utilisez toujours un liquide hydraulique propre et approuvé et changez-le selon les recommandations ou avant la période recommandée s'il devient contaminé (ne dépassez jamais 400 heures). Observez les instructions du fabricant de la pompe avant de changer ou d'ajouter du liquide hydraulique. Utilisez seulement du liquide hydraulique de bonne qualité. Nous recommandons l'utilisation de l'huile hydraulique Mobil DTE13M ou l'équivalent lorsque vous utilisez cet équipement avec une pompe manuelle ou pneumatique et de l'huile hydraulique BVA Hydraulics (F01) ou l'équivalent lorsque vous utilisez une pompe électrique. **N'utilisez jamais** de liquide pour frein, d'huile de turbine, de liquide de transmission, d'huile moteur, d'alcool, de glycérine, etc. L'utilisation d'un fluide autre que de l'huile hydraulique va annuler la garantie et peut endommager la pompe, le tuyau et l'appareil auxquels la pompe est reliée.

- Utilisez un scellant de haute qualité pour filets de tuyaux qui a été approuvé afin de sceller tous les branchements hydrauliques. Du ruban en téflon peut être utilisé si une seule couche de ruban est mise et que celui-ci est posé avec précaution (en laissant les deux derniers filets libres) pour empêcher le ruban d'être introduit dans le système hydraulique. Un morceau de ruban pourrait s'introduire dans le système et bloquer l'écoulement du liquide, ce qui nuirait au fonctionnement du système.

Lubrification et nettoyage

Faites en sorte que le vérin demeure propre en tout temps.

- Tous les filets exposés (mâles et femelles) doivent être nettoyés et lubrifiés régulièrement et être protégés des dommages. Lubrifiez-les avec de l'huile légère pour machine.
- Si le vérin ou le piston a été exposé à la pluie, à la neige, au sable, à des abrasifs en suspension dans l'air ou à un environnement corrosif, il doit être nettoyé, lubrifié et protégé immédiatement après la période d'exposition. Nettoyez quotidiennement le piston exposé avec un linge propre imbibé d'huile légère pour machine. Protégez le piston exposé des éléments en tout temps.
- Assurez-vous que le système hydraulique demeure aussi propre que possible. Lorsqu'il n'est pas utilisé, les raccords doivent être scellés avec des protecteurs antipoussière. Il ne doit pas y avoir de saletés sur les branchements des tuyaux. Tout équipement relié au vérin doit rester propre.

Stockage

Les vérins devraient être rangés à la verticale, le piston complètement rentré, dans un endroit sec et protégé qui n'est pas exposé à de la vapeur corrosive, de la poussière et d'autres éléments nuisibles. Lorsqu'un vérin n'a pas été utilisé pendant une période de quatre mois, il devrait être relié à une pompe pour le faire sortir et rentrer complètement plusieurs fois. Cette opération cyclique lubrifiera la paroi du vérin, ce qui réduira les risques de corrosion et de dommages.

Comment enlever un raccord défectueux :

Si le vérin ne rentre pas :

- Supportez la charge par d'autres moyens.
- Dépressurisez la pompe et le tuyau.
- Enlevez le vérin.
- Débranchez le raccord et remplacez-le par un nouveau raccord.

ENTRETIEN (suite)

AVIS : *N'essayez pas de saisir le vérin avec des pinces ou une clé avant d'avoir d'abord enveloppé le bec de ces outils avec des chiffons ou un objet similaire.*

Comment purger l'air du système :

1. Placez la pompe à une position plus élevée que le tuyau et le vérin comme illustré à la figure 2.
2. Utilisez la pompe de façon à faire descendre et monter le vérin au maximum de deux à trois fois. L'objectif est d'envoyer les bulles d'air vers le haut et ensuite dans le réservoir de la pompe.
3. Suivez le manuel d'instructions de la pompe pour purger l'air de son réservoir. Il est possible de libérer l'air de la plupart des pompes en ouvrant le bouchon ou la vis de remplissage d'huile.

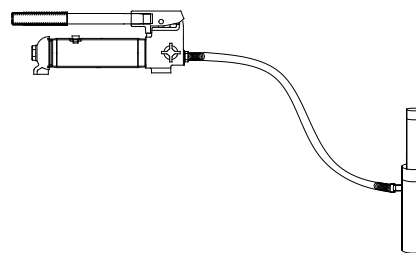


Figure 2 : Purger l'air du système

GUIDE DE DÉPANNAGE

Les informations présentées dans le tableau ci-dessous sont fournies dans le but d'aider à régler des problèmes rencontrés. Les vérins doivent être réparés dans un centre de service BVA autorisé uniquement. Pour le service de réparation, communiquez avec le centre de service le plus près de chez vous.

Problème	Causes possibles	Mesure corrective
Fonctionnement irrégulier	<ul style="list-style-type: none"> • Air dans le système ou cavitation de la pompe. • Le vérin a des fuites externes. • Le vérin est bloqué. 	<ul style="list-style-type: none"> • Purgez l'air du système (voir figure 2). • Communiquez avec le centre de service. • Communiquez avec le centre de service.
Le piston ne sort pas ou ne répond pas au fluide sous pression	<ul style="list-style-type: none"> • Surcharge. • Raccords lâches. • Raccords défectueux. • Position de la valve incorrecte. • Niveau d'huile de la pompe trop bas. • La pompe ne fonctionne pas. • De l'air emprisonné bloque la pompe. 	<ul style="list-style-type: none"> • Remédiez au problème de surcharge. • Serrez les raccords. • Remplacez les raccords mâles et femelles. • Fermez la soupape de surpression ou changez sa position. • Remettez de l'huile et purgez le système. • Vérifiez les instructions de fonctionnement de la pompe. • Préparez la pompe en suivant ses instructions d'utilisation.
Vérin sortant partiellement	<ul style="list-style-type: none"> • Niveau d'huile de la pompe trop bas. • Surcharge. • Vérin bloqué. 	<ul style="list-style-type: none"> • Remettez de l'huile et purgez le système. • Remédiez au problème de surcharge. • Communiquez avec le centre de service.
Mouvement du vérin plus lent que normal	<ul style="list-style-type: none"> • Raccord ou branchement lâche. • Raccord ou tuyau hydraulique avec écoulement restreint. • Pompe qui ne fonctionne pas correctement. • Joints du vérin qui fuient. 	<ul style="list-style-type: none"> • Serrez les branchements ou les raccords. • Nettoyez et remplacez les raccords ou les tuyaux s'ils sont endommagés. • Vérifiez les instructions de fonctionnement de la pompe. • Communiquez avec le centre de service.
Le vérin réagit sous l'action du liquide pressurisé, mais la pression du système ne se maintient pas	<ul style="list-style-type: none"> • Surcharge. • Défaillance de pompe ou de soupape. • Joints du vérin qui fuient. 	<ul style="list-style-type: none"> • Remédiez au problème de surcharge. • Vérifiez les instructions de fonctionnement de la pompe. • Communiquez avec le centre de service.
Vérin qui fuit, huile	<ul style="list-style-type: none"> • Joints usés ou endommagés. 	<ul style="list-style-type: none"> • Communiquez avec le centre de service.
Mouvement du vérin plus lent que normal ou vérin qui ne rentre pas	<ul style="list-style-type: none"> • Position de la valve incorrecte. • Raccord défaillant, appareil endommagé. • Trop d'huile dans le réservoir de la pompe. • L'intérieur du vérin est endommagé. 	<ul style="list-style-type: none"> • Ouvrez la valve de purge ou changez sa position. • Supportez la charge par d'autres moyens. Dépressurisez la pompe et les tuyaux, enlevez l'appareil et remplacez le raccord. • Supportez la charge par d'autres moyens. Dépressurisez la pompe et les tuyaux, enlevez l'appareil, puis mettez du liquide jusqu'à ce qu'il atteigne le bon niveau. • Communiquez avec le centre de service.
Mauvais fonctionnement du vérin	<ul style="list-style-type: none"> • Niveau d'huile de la pompe trop bas. • Air emprisonné dans le système. 	<ul style="list-style-type: none"> • Assurez-vous que le niveau de liquide est adéquat. • Purgez l'air du système (voir figure 2).



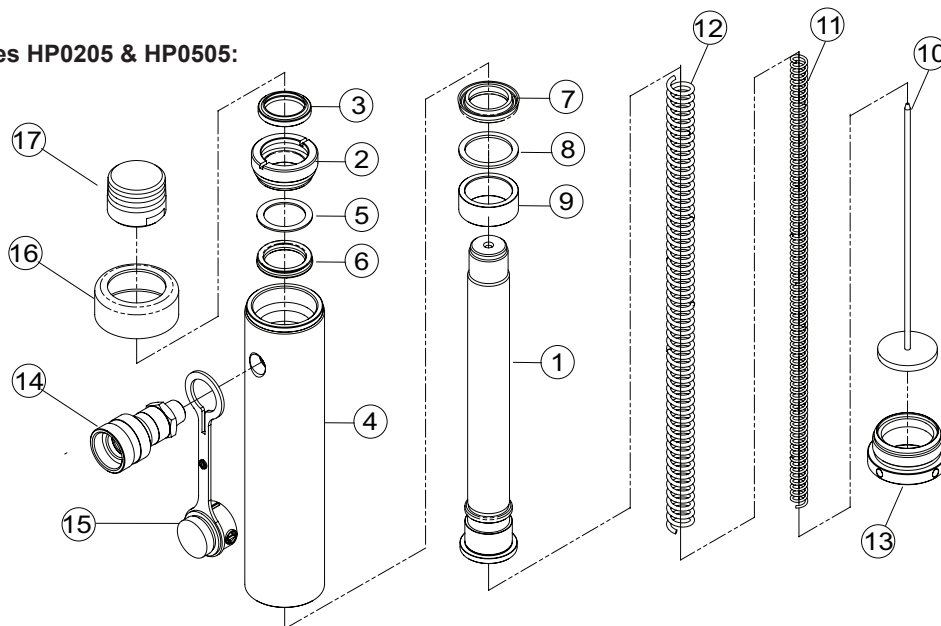
Vérins de tirage à effet simple Pièces de rechange

MODÈLES : HP0205, HP0505 & HP1006

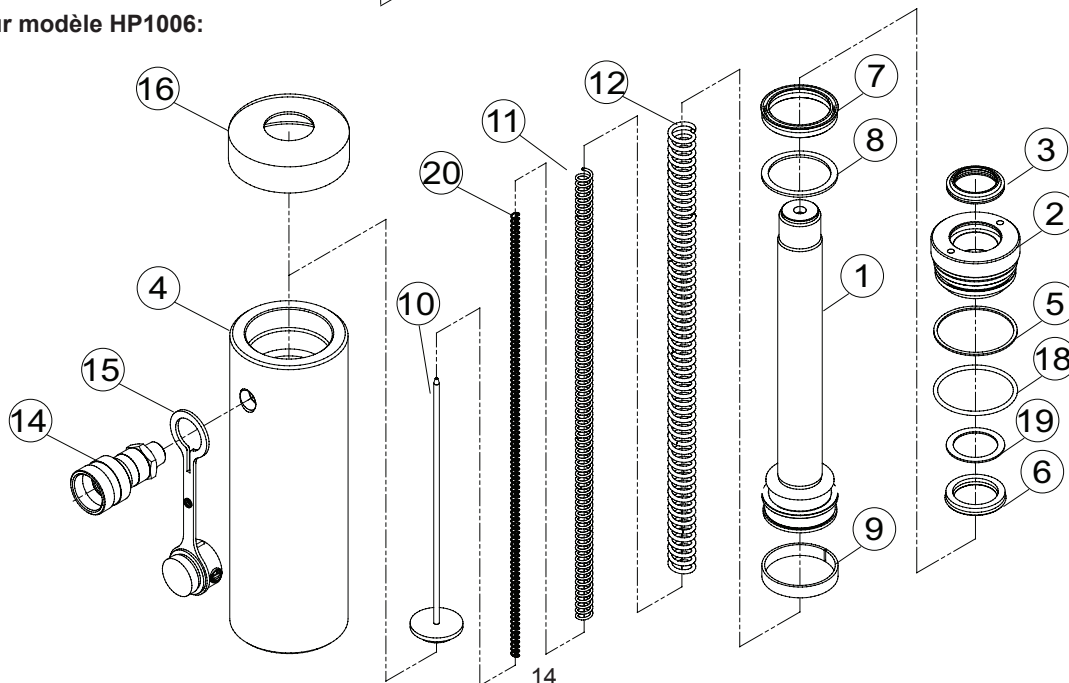
SFA Companies 10939 N. Pomona Ave. Kansas City, MO 64153
Tél. : 1 888 332-6419 * Télécopieur : 816-891-6599
Courriel : sales@bvahydraulics.com Site Web : www.bvahydraulics.com

Remarque : Ce ne sont pas toutes les pièces de la pompe qui peuvent être remplacées, mais elles sont illustrées pour montrer leur emplacement ainsi que leur position pour l'assemblage.

Pour modèles HP0205 & HP0505:



Pour modèle HP1006:





Vérins de tirage à effet simple Pièces de rechange

MODÈLES : HP0205, HP0505 & HP1006

SFA Companies 10939 N. Pomona Ave. Kansas City, MO 64153
Tél. : 1 888 332-6419 * Télécopieur : 816-891-6599
Courriel : sales@bvahydraulics.com Site Web : www.bvahydraulics.com

Remarque : Ce ne sont pas toutes les pièces de la pompe qui peuvent être remplacées, mais elles sont illustrées pour montrer leur emplacement ainsi que leur position pour l'assemblage.

Pièce	N° de pièce pour modèles :			Description	Qté
	HP0205	HP0505	HP1006		
1	S.O.			Vérin	1
2	H29-6-1804-104	H21-6-1804-108	H20-5-1804-105	Palier supérieur	1
3	*			Joint racleur	1
4	S.O.			Vérin	1
5	*			Anneau de rechange	1
6	*			Joint en coupelle	1
7	*			Joint en coupelle	1
8	*			Anneau de rechange	1
9	H05-6-1204-106	H10-5-1204-109	H20-6-1214-100	Palier	1
10	H29-3-1403-108	H21-3-1403-102	H20-3-1413-108	Guide Rod	1
11	511-2-0069-118	511-2-0125-103		Compression Spring	1
12	511-2-0125-112	511-2-0200-101		Compression Spring	1
13	H29-6-1204-100	H21-5-1204-108	-	Lower Bearing	1
14	CH38F			Raccord femelle 3/8"-18NPTF	1
15	H02-4-6003-108			Pare-poussière	1
16	H05-6-2305-107	H21-5-2305-109	H20-6-2306-100	Capuchon protecteur à collet	1
17	H29-6-2808-107	H21-6-2812-102	-	Threaded Adapter	1
18	-			Joint torique	1
19	-			Anneau de rechange	1
20	-		511-2-0069-109	Compression Spring	1
(*)	H29-3-9901-104	H21-3-9910-109	H20-3-9910-102	Ensemble de joints	-

(*) Ce symbole indique les pièces qui font partie de la trousse de joints et ne peuvent être commandées autrement.
S.O. Pièce ne pouvant être remplacée.

Remarque : Pour assurer un fonctionnement fiable et sécuritaire, remplacez les pièces usées ou endommagées uniquement par des pièces de rechange autorisées par BVA Hydraulics.

GARANTIE À VIE LIMITÉE

BVA Hydraulics®, représentée aux États-Unis par SFA Companies [« SFA »] garantit que ce produit est exempt de tout défaut de fabrication ou de matériaux pendant toute sa durée utile, tant qu'il demeure la propriété de l'acheteur original. Cette garantie n'est pas transférable et elle est assujettie aux conditions, exclusions et limitations décrites ci-après :

- Les composants endommagés, y compris, sans en exclure d'autres, les vérins pliés, les parois de vérin enfoncées ou écrasées, les soudures ou raccords brisés ainsi que les joints d'étanchéité, les joints toriques et les ressorts usés qui découlent d'une mauvaise utilisation ne sont pas couverts par la garantie, et BVA Hydraulics n'offrira aucun crédit de garantie pour de tels composants endommagés.
- Cette garantie ne couvre pas l'usure normale, les surcharges, les modifications (y compris les réparations et les tentatives de réparation qui ne sont pas effectuées par BVA Hydraulics ou par des membres du personnel autorisé), l'utilisation inadéquate des fluides, ni l'utilisation du produit d'une manière contraire à ce pour quoi il a été conçu et qui enfreint les instructions ou les mises en garde fournies avec le produit.
- Advenant le cas peu probable où un produit de BVA Hydraulics fait défaut en raison d'un défaut de fabrication ou de matériaux, vous pouvez communiquer avec SFA aux fins de disposition. Dans de tels cas, le seul recours du client pour toute violation ou violation alléguée de cette garantie se limite à la réparation ou au remplacement du produit défectueux.
- BVA Hydraulics ne sera en aucun cas responsable des dommages consécutifs ou accessoires.
- CETTE GARANTIE SE LIMITE AUX PRODUITS NEUFS VENDUS PAR L'ENTREMISE DE DISTRIBUTEURS AUTORISÉS ET D'AUTRES CIRCUITS CHOISIS PAR BVAHYDRAULICS. AUCUN AGENT, EMPLOYÉ OU REPRÉSENTANT DE BVAHYDRAULICS N'EST AUTORISÉ À MODIFIER CETTE GARANTIE.
- CE QUI PRÉCÈDE EST EXCLUSIF ET REMPLACE TOUTE AUTRE GARANTIE EXPRESSE OU IMPLICITE, Y COMPRIS, SANS EN EXCLURE D'AUTRES, LES GARANTIES IMPLICITES DE COMMERCIALITÉ ET D'ADAPTABILITÉ À UN USAGE PARTICULIER.
- Les composants qui ne sont pas fabriqués par BVA Hydraulics, y compris certains systèmes moteurs, les moteurs à essence et autres ne sont pas couverts par cette garantie. Ils sont plutôt couverts par la garantie distincte du fabricant du composant de l'ensemble.
- La responsabilité de BVA Hydraulics se limite dans tous les cas au prix d'achat du produit.



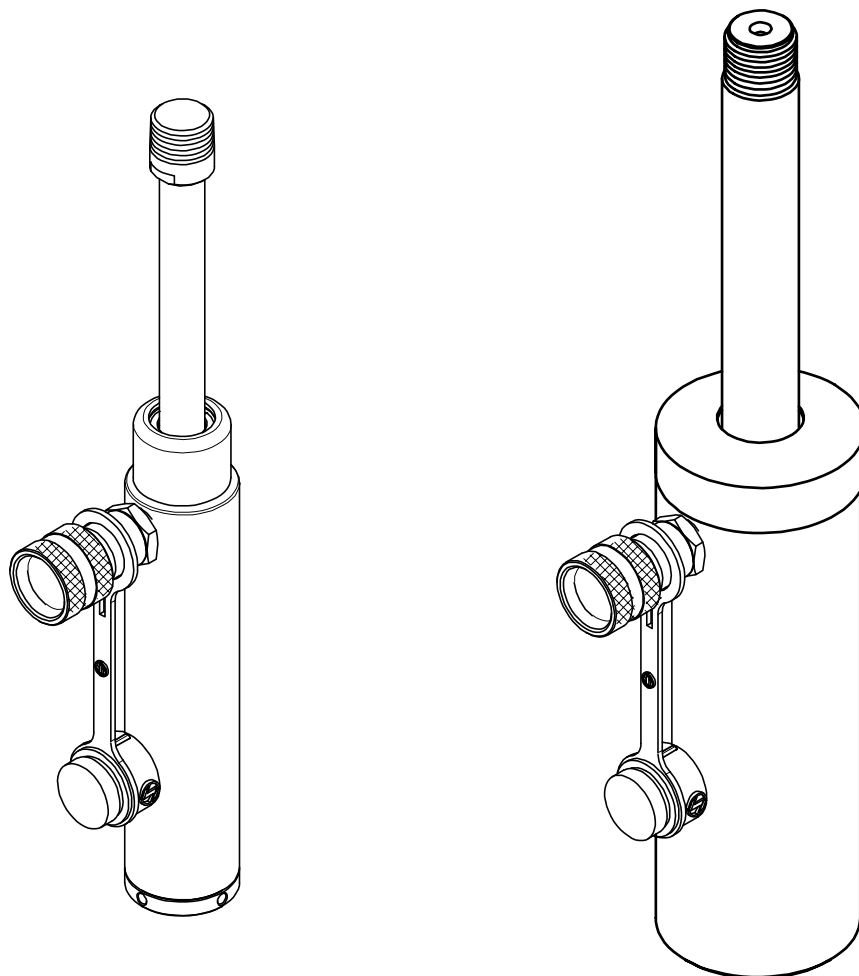
Cilindros de empuje de efecto único Manual de instrucciones

MODELOS :HP0205
HP0505
HP1006

- 1 814 Capacidad en kilos
- 4 535 Capacidad en kilos
- 9 071 Capacidad en kilos

SFA Companies 10939 N. Pomona Ave. Kansas City, MO 64153
Tel.: (888) 332-6419 * Fax: (816) 891-6599
Correo electrónico: sales@bvahydraulics.com Sitio web: www.bvahydraulics.com

Presión de funcionamiento máxima: 689 BAR



*Este es el símbolo de alerta de seguridad. Se usa para alertar sobre peligros potenciales de lesiones personales.
Obedezca todos los mensajes de seguridad que tengan este símbolo, para evitar posibles lesiones personales o la muerte.*

INFORMACIÓN GENERAL Y DE SEGURIDAD

Conserve estas instrucciones. Por su seguridad, lea y comprenda la información de este manual. El propietario u operador debe tener conocimientos sobre este producto y los procedimientos de funcionamiento seguro antes de intentar utilizarlo. Las instrucciones y la información de seguridad deben expresarse en la lengua materna del operador antes de recibir autorización para el uso de este producto. Verifique que el operador comprenda en su totalidad los peligros inherentes asociados con el uso y el uso indebido del producto. Si tiene dudas sobre el uso seguro y adecuado de este producto, según se estipula en este manual autorizado de fábrica, proceda a sacarlo de servicio de inmediato.

Inspeccione el producto antes de cada uso. No lo use si detecta que tiene fugas, está roto, doblado o agrietado, o tiene piezas dañadas. Si tiene la sospecha o la certeza de que el cilindro fue sometido a una carga de impacto (una carga arrojada repentina e inesperadamente sobre este), interrumpa su uso hasta su revisión por parte de un centro de servicio de fábrica autorizado de BVA Hydraulics. Los propietarios y operadores de este equipo deben tener presente que el uso y la subsiguiente reparación de este equipo podría requerir capacitación y conocimientos especiales. Se recomienda realizar una inspección anual a cargo de personal calificado. Asimismo, cualquier pieza faltante o dañada, calcomanía, etiqueta de advertencia/seguridad, o letrero debe reemplazarse únicamente con piezas de repuesto autorizadas de BVA Hydraulics. Cualquier cilindro que parezca dañado de alguna manera, esté desgastado o funcione mal debe sacarse de servicio hasta que puedan realizarse las reparaciones correspondientes.

DESCRIPCIÓN DEL PRODUCTO

El cilindro de extracción de efecto único de BVA Hydraulics está diseñado para trabajos de extracción de capacidad nominal. Existe una amplia variedad de aplicaciones para esta categoría de producto. Las tareas específicas podrían requerir habilidades, conocimientos y capacitación especiales, por lo que es posible que el producto no sea apropiado para todos los trabajos descritos arriba. Las aplicaciones inapropiadas incluyen aquellas aplicaciones donde el dispositivo debe desplazarse, nivelarse o soportar a personas, animales, materiales peligrosos, casas rodantes, viviendas en general, espejos o moldes de vidrio y/o acoplar/fijar ventanillas, componentes, etc. entre particiones. Es el usuario quien debe decidir en última instancia si el producto es apropiado para una tarea determinada y asumir la responsabilidad de esa decisión. Inmediatamente después de la elevación, las cargas deben apoyarse en soportes mecánicos adecuados.

⚠ ADVERTENCIA: *NUNCA use un cilindro hidráulico como dispositivo de soporte.*

⚠ ADVERTENCIA: *Siempre verifique las conexiones antes de su uso. Las modificaciones a estos productos están rotundamente prohibidas. Use solo aquellos adaptadores y accesorios provistos y aprobados por el fabricante.*

⚠ ADVERTENCIA: *Para reducir el riesgo de lesiones personales o daños a la propiedad, asegúrese de que la presión de trabajo nominal de cada accesorio presurizado sea igual o mayor que la presión de trabajo nominal desarrollada por la bomba hidráulica.*

ANTES DEL USO

1. Antes de usar este producto, lea todo el manual del propietario; procure familiarizarse en forma completa con el producto y sus componentes, y reconocer los peligros asociados a su uso.
2. Verifique que el producto y la aplicación sean compatibles. Si tiene dudas, llame al Servicio técnico de BVA Hydraulics al (888) 332-6419.
3. Inspeccione el dispositivo antes de cada uso. No lo utilice si detecta que los componentes están doblados, rotos o presentan fugas.
4. Reemplace las piezas y los conjuntos desgastados o dañados solo con piezas de repuesto autorizadas de BVA Hydraulics. Lubrique según se indica en la sección de mantenimiento.
5. Asegúrese de que el método de confirmación de la carga sea preciso y funcione adecuadamente. Haga verificar la precisión del medidor o la celda de carga por personal calificado en forma anual.

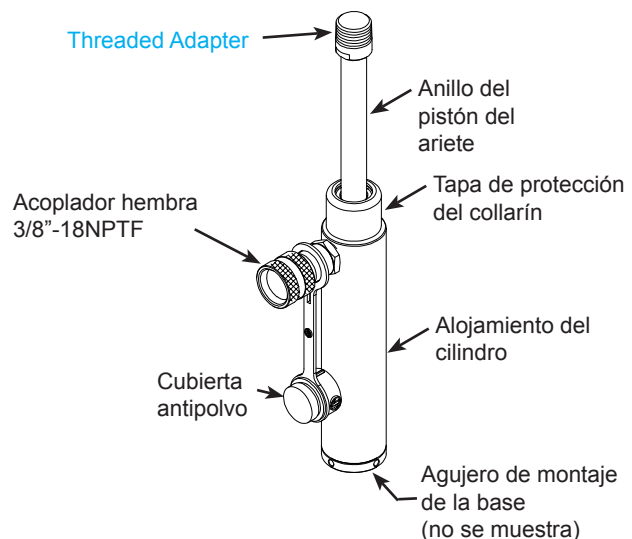


Figura 1: Componentes habituales del cilindro

⚠️ ADVERTENCIA



El **incumplimiento** de las siguientes advertencias puede producir **lesiones personales** y **daños a la propiedad**.



- Estudie, comprenda y siga todas las instrucciones que vienen con este dispositivo antes de usarlo.
- El usuario debe ser un operador calificado que esté familiarizado con el funcionamiento, mantenimiento y uso correcto de los cilindros.



Use traje de protección cuando opere equipos hidráulicos.



Este dispositivo **NO** es adecuado para el uso como dispositivo de **apoyo**. A medida que se levante la carga, utilice el bloqueo y la criba para proteger el dispositivo y evitar la precipitación de la carga. Permanezca alejado de la carga elevada antes de que esté bien apoyada. Nunca confíe en la presión hidráulica para sostener la carga.



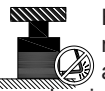
Peligro de aplastamiento. Mantenga las manos y los pies alejados del cilindro y la pieza de trabajo durante el funcionamiento.



- No exceda la capacidad establecida del cilindro o cualquier equipo del sistema. El cilindro está diseñado para una presión máxima de 689 bar.
- No conecte un cilindro a una bomba con un régimen de presión más alto.
- No sujete el cilindro a cargas de impacto; es decir, una carga que caiga de repente y haga que la presión del sistema exceda la presión nominal.



La presión de funcionamiento del sistema no debe exceder el régimen de presión del componente más bajo en el sistema. Instale un medidor de presión u otro instrumento de medición de carga para supervisar la presión de funcionamiento. Hay riesgo de explosión si la manguera, la conexión o cualquier otro componente exceden la presión nominal.



Evite dañar la manguera hidráulica. No permita que la manguera se dé vuelta, se tuerza, se enrosque, se aplaste, se corte o se doble con fuerza para evitar bloqueos o reducciones en el flujo de líquido. Inspeccione la manguera periódicamente para verificar que no haya desgaste.



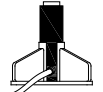
No tire, posicione ni mueva la instalación del cilindro desde la manguera. Use una manija de transporte u otro medio para el transporte seguro.



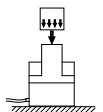
No manipule mangueras presurizadas. Nunca intente sostener una manguera presurizada con fugas. Asegúrese de liberar la presión del sistema antes de desconectar la manguera hidráulica o las conexiones.



El líquido hidráulico puede encenderse y arder. Mantenga los equipos hidráulicos alejados de las llamas y el calor. El calor excesivo puede ablandar los sellos y provocar fugas de líquido. El calor también debilita los materiales de la manguera.



El cilindro debe instalarse sobre una base estable capaz de soportar la carga durante el empuje o la elevación. Use cuñas, materiales antifricción o dispositivos de restricción para evitar el deslizamiento de la base o la carga. Asegúrese de que el cilindro esté completamente acoplado a los adaptadores y los accesorios de extensión.



Centre la carga en el cilindro. Distribuya la carga en forma pareja a lo largo de toda la superficie del asiento. No coloque la carga fuera del centro del cilindro. La carga podría volcarse o el cilindro podría salirse.



Nunca intente desarmar un cilindro hidráulico; consulte con el personal calificado autorizado sobre las reparaciones. Comuníquese con el servicio técnico de BVA Hydraulics para conseguir un centro de servicio autorizado.



No exponga la manguera a objetos filosos ni impactos fuertes.



Por otra parte, las mangueras no deben entrar en contacto con materiales corrosivos como ácido de batería, objetos impregnados en creosota ni pintura húmeda. Nunca pinte los acopladores ni las mangueras.



- No deben hacerse modificaciones al cilindro.
- Utilice solo sujetadores, accesorios y líquido hidráulico autorizados de fábrica.

INSTALACIÓN

AVISO: Use un sellador de tubería de alto grado aprobado para sellar todas las conexiones hidráulicas.

1. Retire la cubierta antipolvo y el tapón de goma del acoplador.
2. Examine todas las roscas y los accesorios en busca de signos de desgaste o daño y reemplácelos según sea necesario. Limpie todas las roscas y los accesorios.
3. Conecte la manguera hidráulica desde la bomba hidráulica hasta el acoplador del cilindro. Asegúrese de que no haya fugas de líquido.
4. Instale el medidor de presión en línea.
5. Verifique si hay fugas en el sistema y encargue su reparación al personal calificado.

AVISO: El uso de accesorios o extensiones de cilindro reduce la capacidad del cilindro en al menos un 50 % por cada accesorio o extensión.



ADVERTENCIA: Antes de poner en funcionamiento la bomba, ajuste todas las conexiones de la manguera con las herramientas adecuadas. No apriete demasiado. Las conexiones solo deben ajustarse en forma segura para evitar fugas. Si las ajusta en exceso, podrían producirse fallas prematuras en las roscas o explosiones en los accesorios de alta presión.



ADVERTENCIA: Antes de que se realicen las reparaciones, despresurice el cilindro.

Consejos para mangueras hidráulicas y líneas de transmisión de líquido:

- Evite las extensiones de tubos rectos de escaso tamaño. Las extensiones de tubos rectos no contemplan la expansión ni la contracción debido a los cambios de presión y temperatura.
- Reduzca la presión en tuberías. Las extensiones de tubos de gran tamaño deben fijarse por medio de soportes o sujetadores.

ESPECIFICACIONES

Núm. de modelo	Capacidad del cilindro (kg)	Recorrido (cm)	Área efectiva de cilindro (cm ²)	Presión interna en la capacidad (bar)	Capacidad de aceite (cm ³)	Altura colapsada (cm)	Altura en posición extendida (cm)	Peso (kg)	Diámetro de alojamiento del cilindro (cm)	Rosca de collarín	Diámetro del agujero de montaje
HP0205	1 814	12,7	1,42	689	7,06	26,80	39,50	2,9	4,80	1 1/2"-16	3/4"-14NPTF
HP0505	4 535	14,1	2,89		16,10	30,35	44,40	4,21	5,71	2 1/4"-14	1 1/4"-11.5NPTF
HP1006	9 071	15,11	6,20		36,78	29,85	44,96	9,48	8,51	M85 x2	M30 x2

FUNCIONAMIENTO

Haga funcionar la bomba hidráulica para hacer avanzar y retroceder el cilindro. **No** continúe bombeando cuando el cilindro esté totalmente extendido. Se acumulará presión interna y esto podría dañar el sello del cilindro.

⚠ ADVERTENCIA: NUNCA confíe en la presión hidráulica por sí sola para sostener la carga. **NUNCA** permita que el personal trabaje o circule por debajo de la carga hasta que dicha carga esté asegurada mediante una criba o bloqueo, o cualquier otro medio mecánico.

⚠ ADVERTENCIA: Para evitar la fatiga del material, si el cilindro se utilizará en una aplicación continua, la carga no debe exceder el 85 % de la capacidad nominal.

⚠ ADVERTENCIA: El cilindro, las mangueras, los accesorios y la bomba deben tener la misma presión de funcionamiento máxima, estar correctamente conectados y ser compatibles con el líquido hidráulico utilizado. Un sistema que no coincida adecuadamente puede provocar la falla del sistema.

⚠ ADVERTENCIA: Despeje el área de operarios antes de bajar la carga.

MANTENIMIENTO

1. Inspeccione las mangueras y las conexiones diariamente. Reemplace los componentes dañados de inmediato solo con piezas de repuesto de BVA Hydraulics.
2. Ajuste las conexiones si es necesario. Use compuesto para roscas de tubería cuando repare las conexiones.
3. Siempre use líquido hidráulico limpio y aprobado y cambie según lo recomendado o antes si el líquido se contamina (nunca supere las 400 horas). Siga las instrucciones del fabricante de la bomba para cambiar y agregar líquido hidráulico. Use solo líquido hidráulico de buena calidad. Le recomendamos usar Mobil DTE13M o aceite equivalente cuando use una bomba manual o bomba de aire y BVA Hydraulics Oil (F01) o aceite equivalente cuando use una bomba eléctrica. **Nunca** use líquido de frenos, líquido de transmisión, aceite de turbinas, aceite de motor, alcohol, glicerina, etc. El uso de cualquier otro líquido que no sea aceite hidráulico de buena calidad anulará la garantía y dañará el cilindro, la bomba, la manguera, etc.

4. Use un sellador para roscas de tubería de alto grado aprobado para sellar todas las conexiones hidráulicas. Puede utilizarse cinta de teflón si solo se emplea una de las capas de la cinta y esta se aplica con cuidado, dos roscas detrás, para evitar que la cinta penetre en el sistema hidráulico. Los pedazos de cinta podrían recorrer el sistema y obstruir el flujo de líquido, con lo cual el funcionamiento del dispositivo se vería afectado.

Lubricación y limpieza

Mantenga el cilindro limpio en todo momento.

1. Todas las roscas expuestas (macho o hembra) deben limpiarse y lubricarse periódicamente, además de protegerse de posibles daños. Lubrique con aceite ligero para máquinas.
2. Si un cilindro o ariete ha estado expuesto a lluvia, nieve, arena, o algún entorno abrasivo aéreo o corrosivo, debe limpiarse, lubricarse y protegerse inmediatamente después de la exposición. Limpie a diario el ariete expuesto con un paño limpio humedecido con aceite ligero para máquinas. Proteja el ariete expuesto de los elementos en todo momento.
3. Mantenga el sistema hidráulico lo más libre de suciedad posible. Cuando no se usen, los acopladores deben sellarse con cubiertas antipolvo. Todas las conexiones de la manguera deben estar libres de polvo y suciedad. Todo el equipo conectado al cilindro debe mantenerse limpio.

Almacenamiento

Los cilindros deben guardarse en posición vertical con el pistón del ariete totalmente retraído en un área seca y protegida, que no esté expuesta a vapor corrosivo, polvo ni otros elementos dañinos. Cuando un cilindro no se ha utilizado por un período de 4 meses, debe conectarse a la bomba y extenderse y retraerse totalmente 5 veces como mínimo. Este ciclo lubricará la pared del cilindro, lo cual reduce la posibilidad de corrosión y daño.

Cómo extraer un acoplador defectuoso:

Si el cilindro no se retrae:

1. Sujete la carga por otros medios.
2. Despresurice la bomba y la manguera.
3. Quite el cilindro de la aplicación.
4. Desconecte y reemplace con un nuevo acoplador.

MANTENIMIENTO (cont.)

AVISO: No intente sujetarlo con pinzas o una llave sin antes haber envuelto las mordazas de dicha herramienta con trapos o algo similar.

Cómo purgar el aire del sistema:

1. Coloque la bomba en una posición más elevada que la manguera y el cilindro, como se muestra en la Figura 2.
2. Haga funcionar la bomba para extender y retraer completamente el cilindro 2 o 3 veces. El objetivo es forzar las burbujas de aire y enviarlas nuevamente al depósito de la bomba.
3. Siga el manual de instrucciones de la bomba para purgar el aire del depósito de la bomba. En la mayoría de las bombas, puede salir aire mediante la apertura del tapón/tornillo de llenado de aceite.

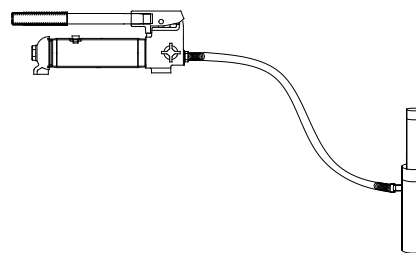


Figura 2: Ilustración de la purga de aire del sistema

GUÍA DE LOCALIZACIÓN Y SOLUCIÓN DE AVERÍAS

La siguiente información se proporciona a los fines de determinar si hay algún problema en la aplicación. Los cilindros deben ser reparados únicamente por un centro de servicio BVA autorizado. Si desea recibir servicios de reparación, comuníquese con el centro de servicio de su zona.

Síntoma	Causas posibles	Medidas correctivas
Hay una acción irregular.	<ul style="list-style-type: none"> • Hay aire en el sistema o cavitación de la bomba. • Hay una fuga externa en el cilindro. • El cilindro se adhiere o está atascado. 	<ul style="list-style-type: none"> • Ventile el sistema (consulte la Figura 2). • Comuníquese con el centro de servicio. • Comuníquese con el centro de servicio.
El cilindro no se extiende, ni tampoco responde al líquido presurizado.	<ul style="list-style-type: none"> • Hay un estado de sobrecarga. • Los acopladores están flojos. • Los acopladores están defectuosos. • La posición de la válvula es incorrecta. • El nivel de aceite de la bomba está bajo. • La bomba no funciona. • La bomba está bloqueada con aire. 	<ul style="list-style-type: none"> • Solucione el estado de sobrecarga. • Ajuste los acopladores. • Reemplace los acopladores hembra y macho. • Cierre la válvula de liberación o cambie la posición de la válvula. • Llene y purgue el sistema. • Revise las instrucciones de funcionamiento de la bomba. • Cebe la bomba según las instrucciones de funcionamiento de la bomba.
El cilindro se extiende solo en forma parcial.	<ul style="list-style-type: none"> • El nivel de aceite de la bomba está bajo. • Hay un estado de sobrecarga. • El cilindro se adhiere o está atascado. 	<ul style="list-style-type: none"> • Llene y purgue el sistema. • Solucione el estado de sobrecarga. • Comuníquese con el centro de servicio.
El cilindro se mueve más lentamente que lo normal.	<ul style="list-style-type: none"> • Hay conexiones o acopladores sueltos. • Hay líneas o accesorios hidráulicos restringidos. • La bomba no funciona correctamente. • Hay fugas en los sellos del cilindro. 	<ul style="list-style-type: none"> • Ajuste las conexiones o los acopladores. • Limpie y reemplace las piezas si están dañadas. • Revise las instrucciones de funcionamiento de la bomba. • Comuníquese con el centro de servicio.
El cilindro responde al líquido presurizado, pero el sistema no mantiene la presión.	<ul style="list-style-type: none"> • Hay un estado de sobrecarga. • La bomba o la válvula no funcionan correctamente. • Hay fugas en los sellos del cilindro. 	<ul style="list-style-type: none"> • Solucione el estado de sobrecarga. • Revise las instrucciones de funcionamiento de la bomba. • Comuníquese con el centro de servicio.
Hay una fuga de aceite desde el cilindro.	<ul style="list-style-type: none"> • Los sellos están gastados o dañados. 	<ul style="list-style-type: none"> • Comuníquese con el centro de servicio.
El cilindro no se retrae o se retrae más lentamente que lo normal.	<ul style="list-style-type: none"> • La posición de la válvula es incorrecta. • El acoplador está defectuoso o la aplicación está dañada. • El depósito de la bomba está lleno en exceso. • Cylinder damage internally. 	<ul style="list-style-type: none"> • Abra la válvula de liberación o cambie la posición de la válvula. • Sujete la carga por otros medios. Despresurice la bomba y las mangueras, retire la aplicación y reemplace el acoplador. • Sujete la carga por otros medios. Despresurice la bomba y las mangueras, retire la aplicación y drene el fluido hasta el nivel adecuado. • Comuníquese con el centro de servicio.
El cilindro tiene un funcionamiento deficiente.	<ul style="list-style-type: none"> • El nivel de aceite de la bomba está bajo. • Hay aire atrapado en el sistema. 	<ul style="list-style-type: none"> • Asegúrese de que el nivel de aceite sea el adecuado. • Ventile el sistema (consulte la Figura 2).



Cilindros de empuje de efecto único

Piezas de repuesto

MODELOS : HP0205, HP0505 & HP1006

SFA Companies 10939 N. Pomona Ave. Kansas City, MO 64153

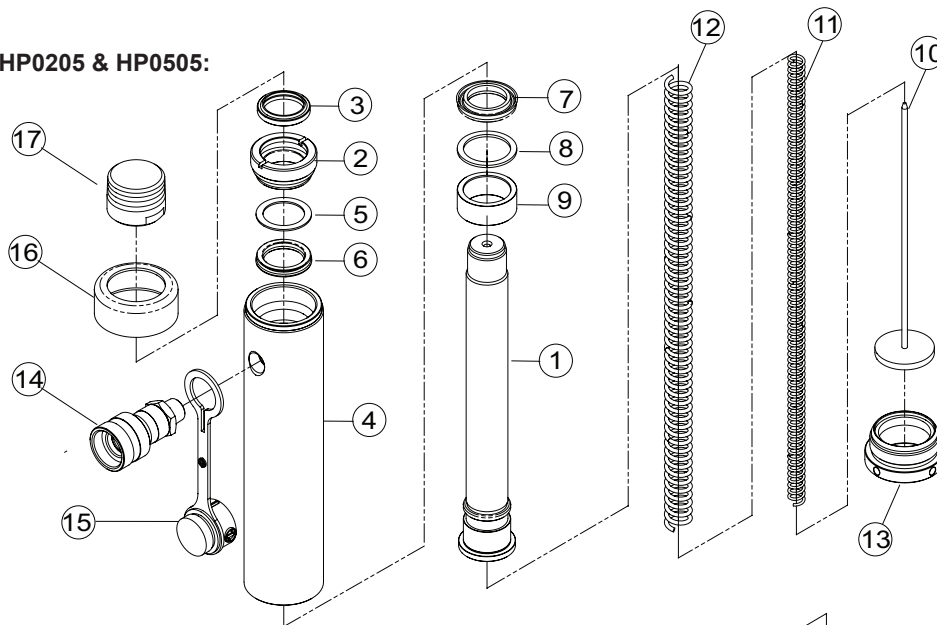
Tel.: 888-332-6419 * Fax: 816-891-6599

Correo electrónico: sales@bvahydraulics.com

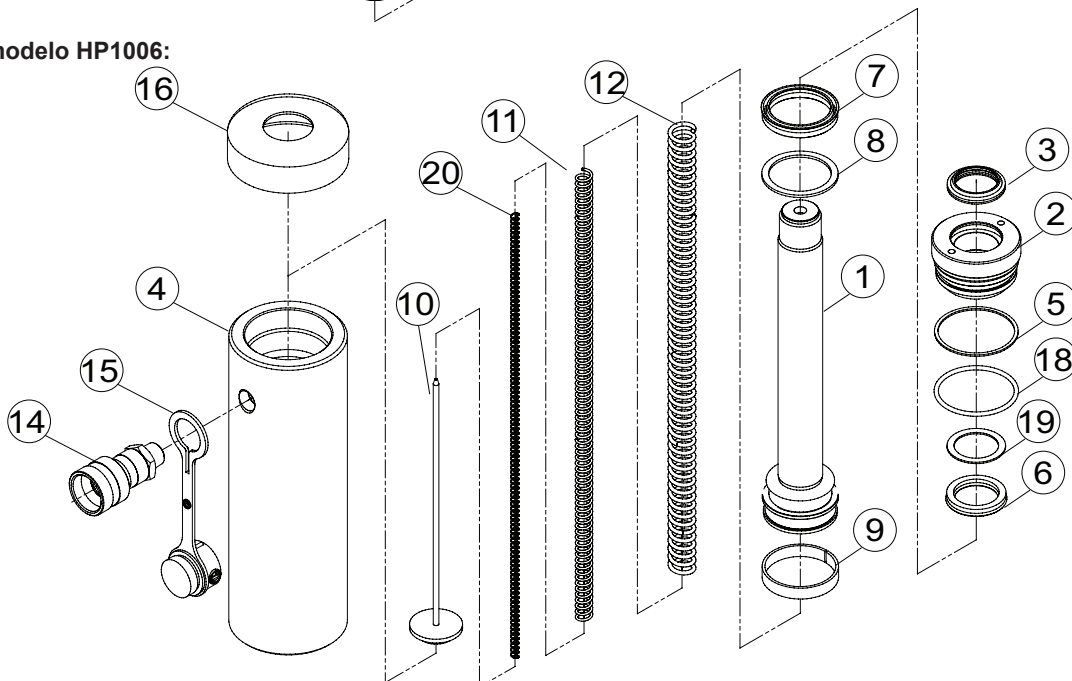
Sitio web: www.bvahydraulics.com

Nota: No todos los componentes de la bomba tienen reemplazo, pero se ilustran a modo de referencia práctica de la ubicación y la posición que ocupan en la secuencia del conjunto.

Para modelos HP0205 & HP0505:



Para modelo HP1006:





Cilindros de empuje de efecto único Piezas de repuesto

MODELOS : HP0205, HP0505 & HP1006

SFA Companies 10939 N. Pomona Ave. Kansas City, MO 64153

Tel.: 888-332-6419 * Fax: 816-891-6599

Correo electrónico: sales@bvahydraulics.com Sitio web: www.bvahydraulics.com

Nota: No todos los componentes de la bomba tienen reemplazo, pero se ilustran a modo de referencia práctica de la ubicación y la posición que ocupan en la secuencia del conjunto.

Elem.	N.º de pieza para los modelos:			Descripción	Cant.
	HP0205	HP0505	HP1006		
1	N/D			Rodamiento	1
2	H29-6-1804-104	H21-6-1804-108	H20-5-1804-105	Rodamiento superior	1
3	*			Sello de limpieza	1
4	N/D			Cilindro	1
5	*			Anillo de respaldo	1
6	*			Copa en U	1
7	*			Copa en U	1
8	*			Anillo de respaldo	1
9	H05-6-1204-106	H10-5-1204-109	H20-6-1214-100	Rodamiento	1
10	H29-3-1403-108	H21-3-1403-102	H20-3-1413-108	Guide Rod	1
11	511-2-0069-118	511-2-0125-103		Compression Spring	1
12	511-2-0125-112	511-2-0200-101		Compression Spring	1
13	H29-6-1204-100	H21-5-1204-108	-	Lower Bearing	1
14	CH38F			Acoplador hembra 3/8"-18NPTF	1
15	H02-4-6003-108			Tapa antipolvo	1
16	H05-6-2305-107	H21-5-2305-109	H20-6-2306-100	Tapa de protección del collarín	1
17	H29-6-2808-107	H21-6-2812-102	-	Threaded Adapter	1
18	-			Junta tórica	1
19	-			Anillo de respaldo	1
20	-		511-2-0069-109	Compression Spring	1
(*)	H29-3-9901-104	H21-3-9910-109	H20-3-9910-102	Kit de aislamiento	-

(*) indica que los elementos solo están incluidos y disponibles como parte del kit de aislamiento.

N/D: indica que la pieza no está disponible como repuesto.

Nota: Para garantizar un funcionamiento seguro y confiable, reemplace las piezas gastadas o dañadas por piezas de repuesto autorizadas de BVA Hydraulics únicamente.

GARANTÍA LIMITADA DE POR VIDA

BVA Hydraulics®, representado en los Estados Unidos por SFA Companies ["SFA"], garantiza que su producto estará libre de defectos de material y mano de obra durante la vida útil del producto siempre y cuando el dueño del producto sea el comprador original. La garantía no es transferible y está sujeta a los términos, exclusiones y limitaciones descritos a continuación:

- Los componentes dañados; entre otros, las paredes de cilindros abolladas o agrietadas, las piezas soldadas o los acopladores rotos, y los sellos, las juntas tóricas y los resortes desgastados, son el resultado del uso indebido y no están cubiertos por la garantía. BVA Hydraulics no proporcionará ningún crédito de garantía para dichos componentes dañados.
- Esta garantía no cubre: el desgaste normal, la sobrecarga, las alteraciones (como reparaciones o intentos de reparación no realizados por BVA Hydraulics o alguno de sus centros autorizados), el uso de líquido incorrecto, el uso del producto de un modo contrario al estipulado para el producto o el uso del producto en detrimento de las instrucciones o advertencias suministradas con el producto.
- En el caso poco probable de que el producto BVA Hydraulics presente una falla debido a un defecto material de mano de obra, puede ponerse en contacto con SFA para recibir asistencia. En dichos casos, el único recurso con el que cuenta el cliente ante una violación o supuesta violación de la garantía se limita a la reparación o el reemplazo del producto defectuoso.
- BVA Hydraulics no será responsable, en ningún caso, por daños o pérdidas emergentes o incidentales.
- ESTA GARANTÍA SE LIMITA A LOS PRODUCTOS NUEVOS COMERCIALIZADOS POR MEDIO DE DISTRIBUIDORES AUTORIZADOS U OTROS CANALES DESIGNADOS POR BVA HYDRAULICS. NINGÚN AGENTE, EMPLEADO O REPRESENTANTE DE BVA HYDRAULICS TIENE AUTORIZACIÓN PARA MODIFICAR ESTA GARANTÍA.
- ESTA GARANTÍA ES EXCLUSIVA Y SE OFRECE EN LUGAR DE CUALQUIER OTRA GARANTÍA EXPRESA O IMPLÍCITA, LO QUE INCLUYE, ENTRE OTRAS, LAS GARANTÍAS IMPLÍCITAS DE COMERCIALIZACIÓN Y APTITUD PARA PROPÓSITOS ESPECÍFICOS.
- Los componentes no fabricados por BVA Hydraulics, como ciertos sistemas de motores y motores a gasolina, entre otros, no están cubiertos por esta garantía, sino por la garantía del fabricante que viene en el paquete del producto.
- La responsabilidad de BVA Hydraulics es limitada en todos los casos y no superará el precio de compra del producto.