



# Air/Manual Hydraulic Bottle Jack Instruction Manual

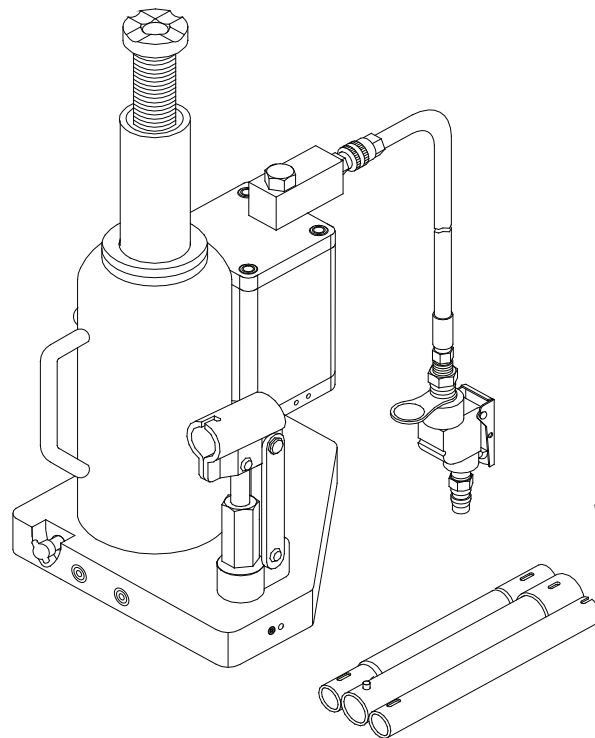
**MODELS:** J18122  
J18202  
J18302

- 12 Ton Capacity  
- 20 Ton Capacity  
- 30 Ton Capacity

SFA Companies 10939 N. Pomona Ave. Kansas City, MO 64153  
Tel: 888-332-6419 \* Fax: 816-891-6599  
E-mail: sales@bvahydraulics.com Website: www.bvahydraulics.com



This is the safety alert symbol. It is used to alert you to potential personal injury hazards. Obey all safety messages that follow this symbol to avoid possible injury or death.



J18122 shown

U.S. Patent No's. 5,341,723 • 5,946,912

## **⚠️ ADVERTENCIA**

- Leer, comprender, y seguir las instrucciones antes de utilizar el aparato.
- El manual de instrucciones y la información de seguridad deben estar comunicados en lengua del operador antes del uso.
- No seguir estas indicaciones puede causar daños personales o materiales.

## **⚠️ WARNING**

To avoid **crushing and related injuries**:



**NEVER** work on, under or around a load supported only by a hydraulic jack. **ALWAYS** use adequately rated jack stands.

**SFA Companies**

<http://www.bvahydraulics.com>

**Read this manual and follow all the Safety Rules and Operating Instructions before using this product.**


## **SAFETY and GENERAL INFORMATION**

**Save these instructions.** For your safety, read, understand, and follow the information provided with and on this jack before using. The owner and operator of this equipment shall have an understanding of this jack and safe operating procedures before attempting to use. The owner and operator shall be aware that use and repair of this product may require special skills and knowledge. Instructions and safety information shall be conveyed in the operator's native language before use of this jack is authorized. If any doubt exists as to the safe and proper use of this jack, remove from service immediately.

**Inspect before each use.** Do not use if broken, bent, cracked or damaged parts are noted. Any jack that appears damaged in any way, or operates abnormally shall be removed from service immediately. If the jack has been or suspected to have been subjected to a shock load (a load dropped suddenly, unexpectedly upon it), immediately discontinue use until jack has been checked by a factory authorized service center (contact distributor or manufacturer for list of authorized service centers). It is recommended that an annual inspection be done by qualified personnel. Labels and Operator's Manuals are available from manufacturer.

## **PRODUCT DESCRIPTION**

BVA Hydraulics Air Actuated Hydraulic Bottle Jacks are designed to lift, not support, rated capacity loads consisting of one end of a vehicle. Immediately after lifting, the load must be supported by a pair of appropriately rated jack stands. Ensure that air source can dedicate 7.8 CFM @ 110-175 psi to each jack operated. A minimum of 150 psi air pressure is required to raise rated capacity load.

 **Never use hydraulic jack as a stand alone device. After lifting, immediately support the lifted load with a pair of appropriately rated jack stands. Never place any portion of your body under the load while lifting or lowering the load.**

## **PREPARATION**

### **Before Use**

1. Verify that the product and application are compatible, if in doubt call BVA Hydraulics Technical Service (888) 332-6419.
2. Before using this product, read the operator's manual completely and familiarize yourself thoroughly with the product, its components and recognize the hazards associated with its use.
3. Assemble handle, ensure spring clips align with slots.
4. To familiarize yourself with basic operation, use the notched end of provided handle to engage and turn the release valve:
  - a. Clockwise until firm resistance is felt to further turning. This is the '**CLOSED**' release valve position used to **raise** the ram plunger.
  - b. Counter-clockwise, but no more than 1 turn from the closed position. This is the '**OPEN**' release valve position used to **lower** the ram plunger.
5. With ram fully retracted, locate and remove the oil filler plug/screw. Insert the handle into the handle sleeve, then pump 6 to 8 strokes. Ensure the oil level is just below the oil filler hole. Reinstall the oil filler plug/screw.
6. Pour a teaspoon of good quality, air tool lubricant into the air supply inlet of the lift control valve. Connect to air supply and squeeze lift control valve for 3 seconds to evenly distribute lubricant.
7. This product is equipped with the popular 1/4" NPT air coupler. When installing a different air coupler of your choice, ensure that thread tape or compound is used when servicing connections. To ensure dependable, trouble free operation an inline air dryer and oiler is recommended.
8. Check that the pump operates smoothly and that the extension screw will thread up/down easily before putting into service. Replace worn or damaged parts and assemblies with BVA Hydraulics authorized replacement parts only.


### **Bleeding / Venting Trapped Air**

With the release valve in the OPEN position (4b above) and with ram plunger fully lowered, locate and remove the oil filler plug/screw. Insert the handle into the handle sleeve; then pump 6 to 8 full strokes. This will help release any pressurized air which may be trapped within the reservoir. Oil level should be even with the bottom of the oil filler hole. Reinstall the oil filler plug/screw.

**⚠ WARNING**

- **Study, understand, and follow** all printed materials provided with/on this product before use.
- **Do not** exceed rated capacity.
- **This is a lifting device only!**
- **Immediately** after lifting, support the load with **a pair** of appropriately rated jack stands.
- Use only on hard, level surface.
- Do not use adapters or accessories that are not provided initially.
- Lift only on areas of the vehicle as specified by the vehicle manufacturer.
- Never wire, clamp or otherwise disable the lift control valve to function by other than operator's hand.
- No alterations shall be made to this product.
- Failure to heed these markings may result in personal injury and/or property damage.

**⚠ WARNING**



To avoid **crushing and related injuries**:

- **Never** work on, under or around a load supported only by hydraulic jack.
- **Always** use adequately rated jack stands.
- Chock each unlifted tire in both directions.
- **Do not** use this device to lift, level, lower, support nor move a house, mobile home, travel trailer, camper or any building structure.
- **Be alert** and **sober** when using this product. Do not operate under the influence of drugs or alcohol.

**⚠** *Be sure all tools and personnel are clear before lowering load. Only attachments and/or adapters supplied by the manufacturer shall be used. Lift only on areas of the vehicle as specified by the vehicle manufacturer.*

## OPERATION

### Raising the Ram Plunger

1. Assemble handle, ensure that spring clips align with slots.
2. Place vehicle in the park, with emergency brake on and wheel securely chocked to prevent inadvertent vehicle movement.
3. Locate and close release valve by turning handle clockwise until firm resistance is felt to further thread engagement.
4. Verify lift point, center jack saddle under lift point.
5. Squeeze the lift control valve in order to raise saddle to contact lift point. To lift, continue pumping until load reaches desired height.
6. **Immediately** secure lifted load with appropriately rated jack stands.

**⚠** *Use only the handle provided by jack manufacturer. The handle provided with this jack will safely engage the release valve. If handle is worn, operates abnormally, or will not positively engage the release valve, **STOP**, discontinue use of the jack until a factory replacement handle can be acquired.*

**⚠** *Do not use an extender on the air hose or the operating handle.*

### Lowering

**⚠** *Make certain that all personnel are clear of the load before lowering. **Control** the rate of descent of the load **at all times**. The **more** you open the release valve, the **faster** the load descends.*

1. Raise load high enough to clear the jack stands, then carefully remove jack stands (**always** used in pairs).
2. Slowly turn the handle counter-clockwise, but no more than 1 turn. If the load fails to lower:
  - a. Use another jack to raise the vehicle high enough to reinstall jack stands.
  - b. Remove the affected jack and then the stands.
  - c. Lower the load by turning the release valve counter-clockwise, but no more than 1 turn.
3. After removing jack from under the load, push ram and handle sleeve down to reduce exposure to rust and contamination.

## SPECIFICATIONS

Model	Capacity	Base Size (L x W)	Saddle Diameter	Min. Height	Max. Height	Hydraulic Lift	Ext. Screw	Volume Hyd. Oil
J18122	12 Ton	8" x 6-1/2"	1-5/8"	9-1/2"	18-1/2"	5-1/2"	3-1/2"	11.2 OZ/ 330 mL
J18202	20 Ton	8-1/2" x 7-1/4"	2"	9-3/4"	18-3/4"	5-1/8"	3-7/8"	15.1 OZ/ 445 mL
J18302	30 Ton	10-1/4" x 8-1/4"	2-1/2"	11"	18-1/8"	7-1/8"	N/A	30.1 OZ/ 890 mL

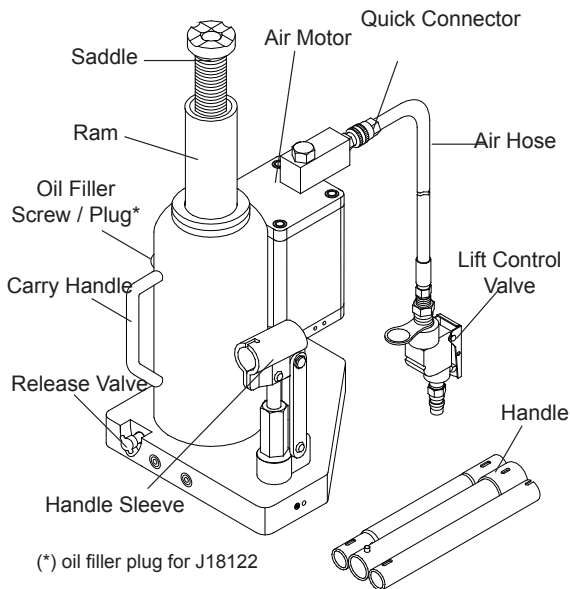


Figure 1 - J18122 & J18202 Nomenclature

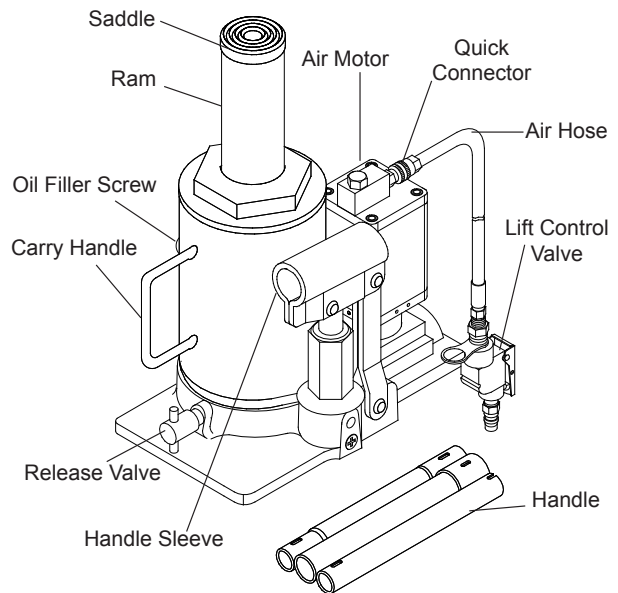


Figure 2 - J18302 Nomenclature

## MAINTENANCE

**Important:** Use only good grade hydraulic jack oil. Avoid mixing different types of fluid and NEVER use brake fluid, turbine oil, transmission fluid, motor oil or glycerin. Improper fluid can cause premature failure of the jack and the potential for sudden and immediate loss of load. We recommend Mobil DTE 13M or equivalent.

### Adding oil

1. With saddle fully lowered and pump piston fully depressed, set jack in its upright, level position. Remove oil filler screw/plug.
2. Fill with oil until just below the rim of the oil filler hole. Reinstall the oil filler screw/plug.

### Changing oil

For best performance and longest life, replace the complete fluid supply at least once per year.

1. With saddle fully lowered and pump piston fully depressed, remove the oil filler screw/plug.
2. Lay the jack on its side and drain the fluid into a suitable container.

**Note:** Dispose of hydraulic oil in accordance with local regulations.

3. Fill with oil until just below the rim of the oil filler hole. Reinstall the oil filler screw/plug.

### Lubrication

1. A periodic coating of light lubricating oil to pivot points, axles and hinges will help to prevent rust and assure that pump assemblies move freely.
2. When used on a daily basis, air pump should be internally lubricated before each use. Use **only** good quality air tool lubricant. If no inline oiler is used, pour a teaspoon of air tool oil into the inlet of the air control valve. Simply operate the jack with air pressure to fully distribute the oil inside the air motor.

### Cleaning

Periodically check the pump piston and ram for signs of rust or corrosion. Clean as needed and wipe with an oily cloth. **Note:** Never use sandpaper or abrasive material on these surfaces!

### Storage

When not in use, store the jack with pump piston and ram fully retracted and air supply disconnected.

**Replacement Parts Illustration for Model J18122 & J18202**

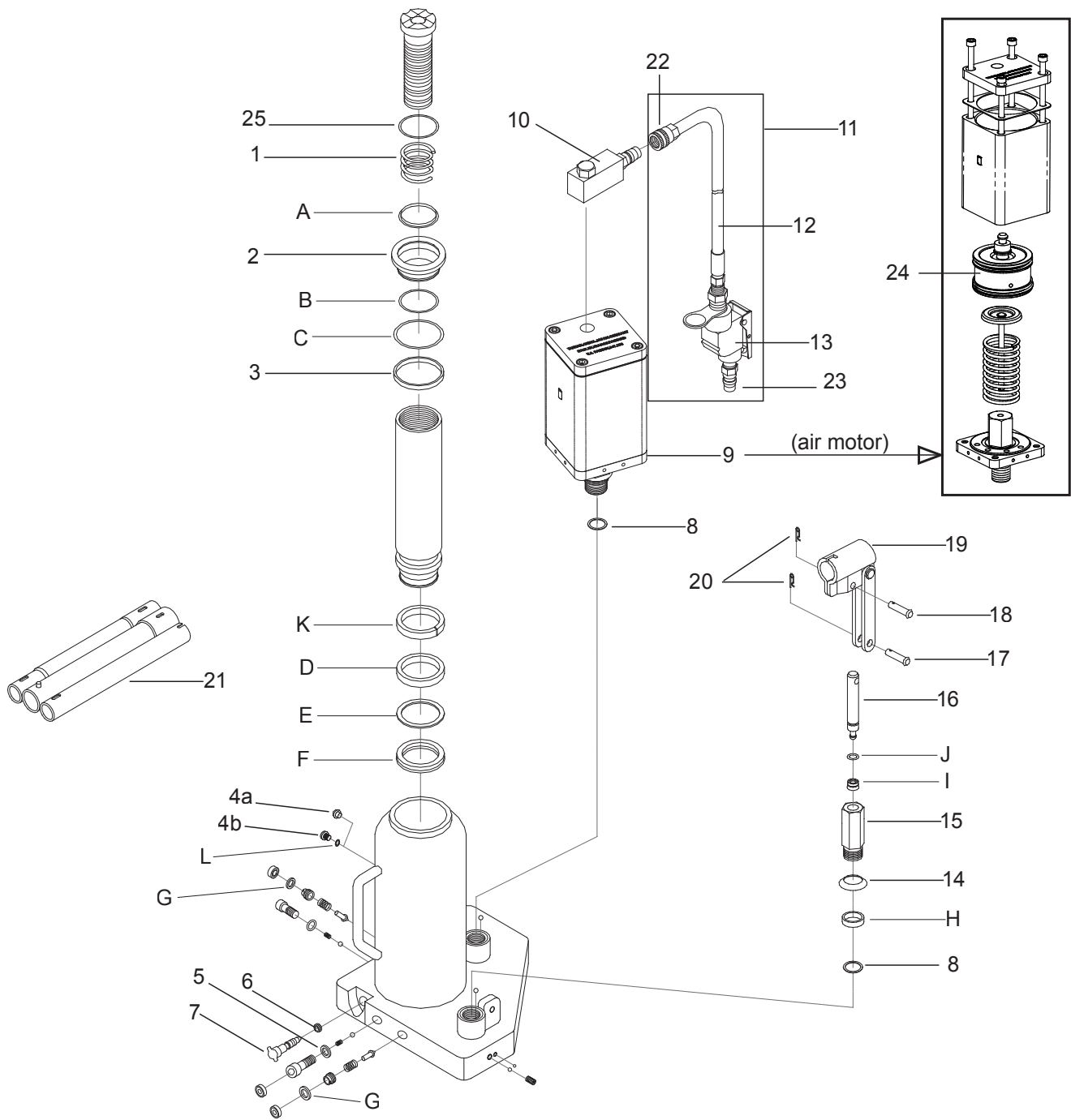


Figure 3 - Model J18122 & J18202 Replacement Parts Illustration

**Replacement Parts List for Model J18122 & J18202**

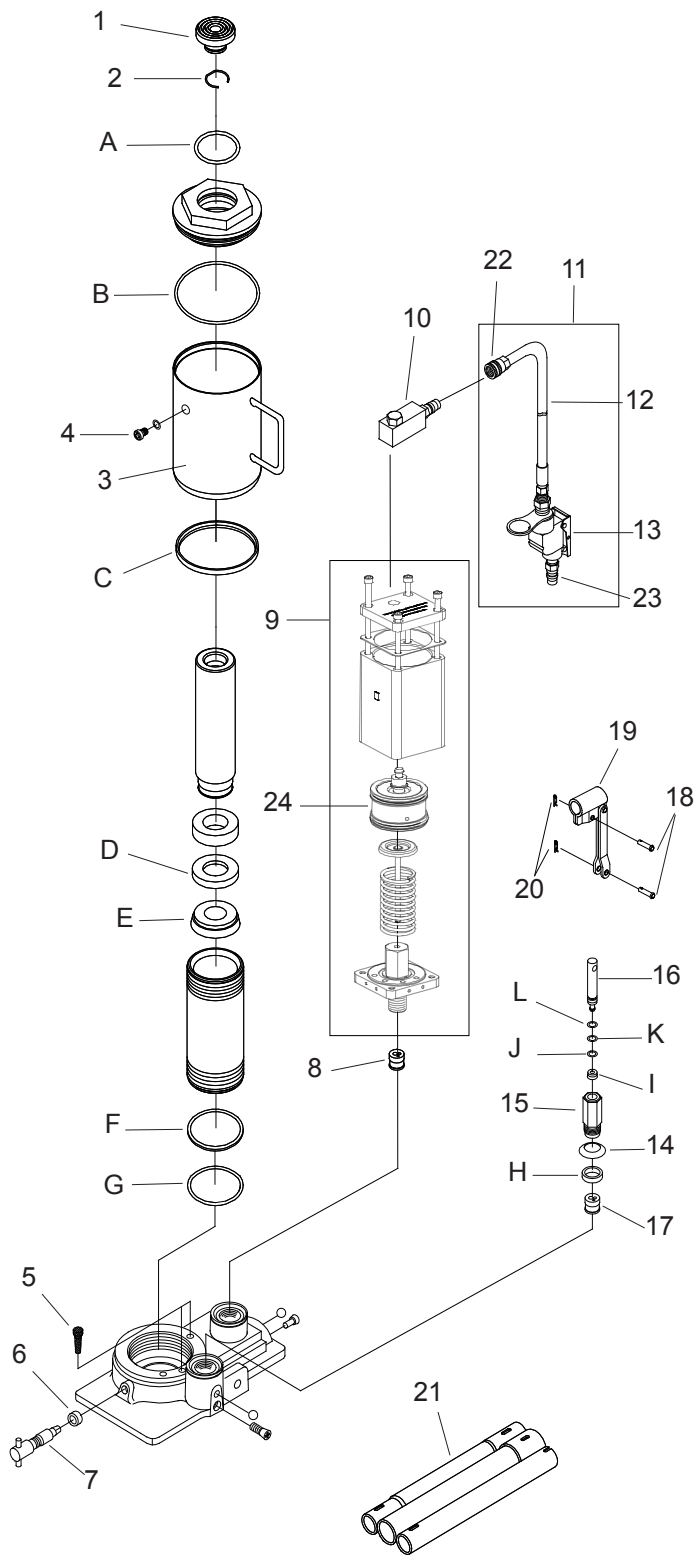
Item	Part# for J18122	Part# for J18202	Description	Qty.
1	B12W-12003-100	A070-11002-000	Spring	1
2	A120-10004-000	A190-10002-000	Cylinder Fastener	1
3	A120-10003-000	A190-10001-000	Guide Ring	1
4a	5905-00100-200	N/A	Filler Plug	1
4b	N/A	G62S-03301-000	Filler Screw	1
5	A120-10002-000		Special Washer	2
6	5905-00054-000		Seal	1
7	BT10-24001-000		Release Valve	1
8	5308-00095-000		Gasket	2
9	A27010-0001		Air Motor	1
10	A27010-0002		Air Inlet Swivel	1
11	A20060-0005		Hose Assy.	1
12	A20060-0006		Air Hose	1
13	A20060-0007		Lift Control Valve	1
14	B020-15002-000		Washer	1
15	B080-15001-000		Pump Cylinder	1
16	B080-15101-100		Pump Piston	1
17	5403-08024-000		Pin	1
18	5405-07027-000		Pin	1
19	A120-13000-000		Handle Socket	1
20	5405-02018-000		Snap Pin	2
21	B10N-21000-000		Handle Assembly	1
22	A27010-0011		Air Coupler, Female 1/4 NPT	1
23	A20060-0016		Air Coupler, Male 1/4 NPT	1
24	A270-01100-0000		Piston, Air Motor	1
25	5901-00295-000	N/A	O-ring	1
*	A1206S-046	A1906S-047	Seal Kit (includes #4a, 6 & A~L)	-
-	A27010-0000		Seal Kit, Air Motor	-
-	J18122-L0	J18202-L0	Label	1
-	J18122-M0		Manual	1

(\*) Seal Kit Contents:

Item	Description	Qty.
4a	Filler Plug (J18122 only)	1
6	Seal	1
A	Dust Wiper	1
B	O-ring	1
C	O-ring	1
D	Ram Bearing	1
E	Back-up Ring	1

Item	Description	Qty.
F	U-cup	1
G	O-ring	2
H	Packing	1
I	Oil Seal	1
J	O-ring	1
K	Ram Bearing (J18202 only)	1
L	O-ring (J18202 only)	1

**Replacement Parts Illustration and Parts List for Model J18302**



Item	Part#	Description	Qty.
1	B300-10003-000	Saddle	1
2	5308-00380-000	Spring	1
3	B300-15000-000	Reservoir	1
4	G62S-03301-000	Filler Screw	1
5	B120-10003-000	Filter	2
6	5905-00054-000	Seal	1
7	BT02-17100-000	Release Valve	1
8	BL80-15000-000	Hyd. Cartridge	1
9	A27010-0001	Air Motor	1
10	A27010-0002	Air Inlet Swivel	1
11	A20060-0005	Hose Assy.	1
12	A20060-0006	Air Hose	1
13	A20060-0007	Lift Control Valve	1
14	B300-14002-000	Washer	1
15	B300-14001-000	Pump Cylinder	1
16	B300-14101-000	Pump Piston	1
17	G150-04500-000	Hyd. Cartridge	1
18	5405-08030-000	Pin	2
19	B300-13000-000	Handle Socket	1
20	5405-02018-000	Snap Pin	2
21	B300-17000-000	Handle Assembly	1
22	A27010-0011	Air Coupler, Female	1
23	A20060-0016	Air Coupler, Male	1
24	A270-01100-0000	Piston, Air Motor	1
*	B3000S-034	Seal Kit	-
-	A27010-0000	Seal Kit, Air Motor	-
-	J18302-L0	Label	1
-	J18122-M0	Manual	1

**(\*) Seal Kit Contents:**

Item	Description	Qty.
2	Spring	1
6	Seal	1
A	O-ring	1
B	O-ring	1
C	Packing	1
D	Back-up Ring	1
E	U-cup	1
F	Back-up Ring	1
G	O-ring	1
H	Seal	1
I	U-cup	1
J	Back-up Ring	1
K	Back-up Ring	1
L	O-ring	1

Figure 4 - Model J18302 Replacement Parts Illustration



## TROUBLESHOOTING

Symptom	Possible Causes	Corrective Action
Jack will not lift load	<ul style="list-style-type: none"> <li>• Release valve not tightly closed</li> <li>• Overload condition</li> <li>• Air pressure inadequate</li> </ul>	<ul style="list-style-type: none"> <li>• Ensure release valve tightly closed</li> <li>• Remedy overload condition</li> <li>• Ensure adequate air pressure</li> </ul>
Jack will lift, but not maintain pressure	<ul style="list-style-type: none"> <li>• Release valve not tightly closed</li> <li>• Overload condition</li> <li>• Hydraulic unit malfunction</li> </ul>	<ul style="list-style-type: none"> <li>• Ensure release valve tightly closed</li> <li>• Remedy overload condition</li> <li>• Contact BVA Tech. Service</li> </ul>
Jack will not lower after unloading	<ul style="list-style-type: none"> <li>• Reservoir overfilled</li> </ul>	<ul style="list-style-type: none"> <li>• Ensure load is removed, then drain fluid to proper level</li> </ul>
Poor lift performance	<ul style="list-style-type: none"> <li>• Fluid level low</li> <li>• Air trapped in system</li> </ul>	<ul style="list-style-type: none"> <li>• Ensure proper fluid level</li> <li>• With ram fully retracted, remove oil filler plug/screw to let pressurized air escape, then reinstall oil filler plug/screw</li> </ul>
Will not lift to full extension	<ul style="list-style-type: none"> <li>• Fluid level low</li> </ul>	<ul style="list-style-type: none"> <li>• Ensure proper fluid level</li> </ul>

## LIMITED LIFETIME WARRANTY

BVA Hydraulics®, represented in the United States by SFA Companies ["SFA"] warrants this product to be free from defects in material and workmanship for the life of the product as long as the original purchaser owns the product. The warranty is non-transferable and is subject to the terms, exclusions, and limitations described below:

- Damaged components, including but not limited to bent rams, dented or crushed cylinder walls, broken welds or couplers as well as worn out seals, o-rings and springs are the result of misuse and not covered by warranty and BVA Hydraulics will not provide any warranty credit for such damaged components.
- This warranty does not cover ordinary wear and tear, overloading, alterations (including repairs or attempted repairs not performed by BVA Hydraulics or one of its authorized personnel), improper fluid use, or use of the product in any manner for which the product was not intended or the use of which is not in accordance with the instructions or warnings provided with the product.
- In the unlikely event that a BVA Hydraulics product fails due to material defect in workmanship, you may contact SFA for disposition. In such cases, the customer's sole and exclusive remedy for any breach or alleged breach of warranty is limited to the repair or replacement of the defective product.
- Under no circumstances is BVA Hydraulics liable for any consequential or incidental damage or loss whatsoever.
- THIS WARRANTY IS LIMITED TO NEW PRODUCTS SOLD THROUGH AUTHORIZED DISTRIBUTORS AND OTHER CHANNELS DESIGNATED BY BVA HYDRAULICS. NO AGENT, EMPLOYEE OR OTHER REPRESENTATIVE OF BVA HYDRAULICS IS AUTHORIZED TO MODIFY THIS WARRANTY.
- THE FOREGOING IS EXCLUSIVE AND IS IN LIEU OF ALL OTHER EXPRESS AND IMPLIED WARRANTIES, INCLUDING BUT NOT LIMITED TO THE IMPLIED WARRANTIES OF MERCHANTABILITY AND FOR A FITNESS FOR A PARTICULAR PURPOSE.
- Components not manufactured by BVA Hydraulics including certain motor systems, gasoline engines, and others are not covered by this warranty and instead are covered by the manufacturer's separate manufacturer's warranty provided in the package.
- BVA Hydraulics' liability in all cases is limited to, and will not exceed the purchase price paid for the product.

SFA Companies  
 10939 N. Pomona Ave. Kansas City, MO 64153  
 Tel: 888-332-6419  
 E-mail: sales@bvahydraulics.com

