

TORQUE VALUE (N.m)

Screws M8 : 15 to 18
Plug M8 : 30

Helical possible instead of non breaking through thread.

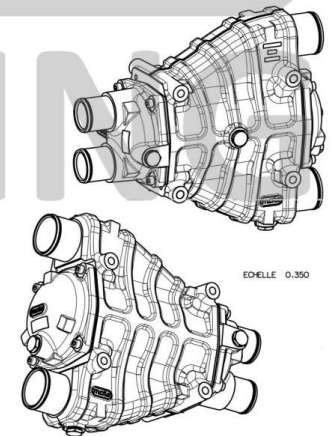
NOTA :

DIMENSION :
Tolerance : X or
Information only : (X)
Location : [X]

TIGHTNESS TEST (or under water) :
OIL (inside tubes) : 4 bars min
OIL (Outside tubes) : 1 bar max

DESIGN AND PRODUCTION :
According to MOTA standards
and MOTA processes.
Version according to DVP & R M (see P/N)

10	Gasket copper ø8.2 - ø23.9 Tlk. 1.5	5	Cu
9	Plug M8 x 1.5	3	Cu Zn39 Pb2
	Plug M8 x 1.5	1	Cu Zn39 Pb2
	Zinc anode	1	Zinc
8	Plug and Zinc anode assembly	2	
7	O-ring ø135 x 4	4	FFM 70 (acc. NM I82)
6	Otc screw M8 x 40	8	Zinc chromate plating steel
5	Spacer	1	Cu Zn36
4	MOTA element (lubestack)	1	
3	Cover	1	Cu Sn7 Pb6 Zn4 or Cu Sn5 Pb5 Zn5 or Cu Sn7 Pb6 Zn4 or Cu Sn5 Pb5 Zn5
2	Cover inlet / Outlet	1	EN AC-AS10Mg-S-F or EN AC-AS10Mg-S-F
1	Housing	1	
REF.	DESIGNATION	QTY	MATERIAL



ECHELLE 0.350

REVISION	REV. NAM.	DATE	RD	CHK BY
/	/	04/02/19	RD	AK/LL 01/03/19

MOTA		MOTA F-1665 Aubagne	
GAMME CAC		CHARGE AIR COOLER	
I/I		I/I	
106856		106856	