

Joseph

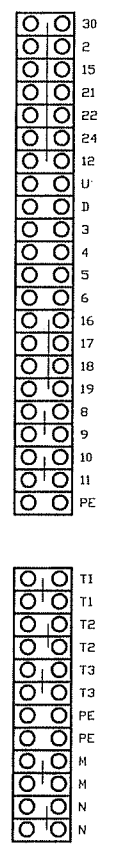
REV	ECO#	DATE	REVISION RECORD
A	XXX	OCT2013	RELEASE
B			

D109

INCOMING POWER  
230VAC  
30A

CB1  
30A

TERMINAL BLOCK  
DETAIL

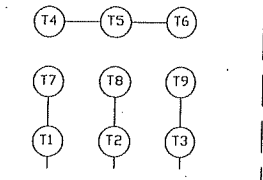


CB2  
3A

VFD

DRIVE MOTOR  
5HP  
230VAC  
13.1 FLA

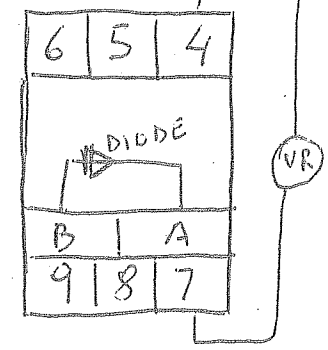
MOTOR WIRING  
DETAIL



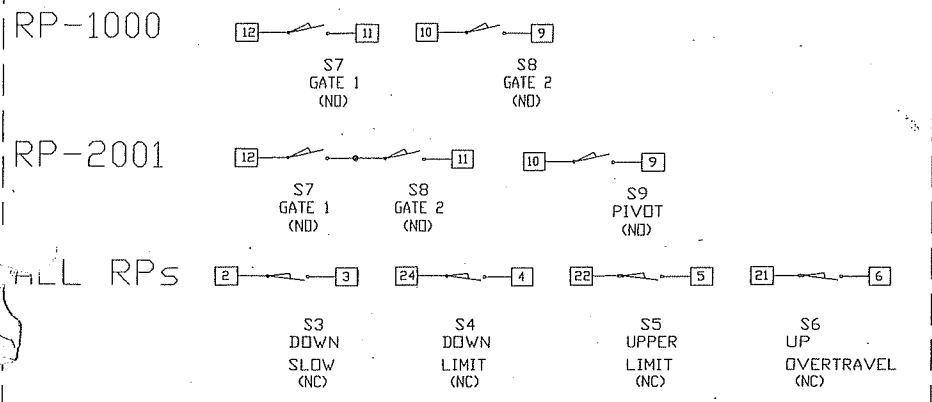
PWS  
24VDC  
0.7A

BRAKE  
RECTIFIER

PLC



SWITCH  
DETAIL



MOTOR BRAKE  
190-240VDC

**HI-TECH HOIST CORP.**

SCALE: NONE	TOLERANCE: NOT APPL	DRAWN BY: RJA
DATE: 14SEPT2012		CHECKED BY: RJA
<b>DOC. SCHEMATIC DIAGRAM. RP-2001/RP-1000</b>		
PAGE 1 OF 1	DRAWING NUMBER: D109	REVISION: A