

INSTALLATION OF HI-TECH HOIST IN MONORAIL:

The Hoist is installed in monorail from inboard end. Remove small retaining bolts in end of monorail, lift hoist with cable drum toward outboard end of monorail and slide rollers into track. Immediately replace retaining bolts to prevent hoist from rolling out of rear of monorail.

WARNING
DO NOT MOUNT HOIST ON TO TRESTLE
MONORAIL UNTIL MONORAIL HAS BEEN
PROPERLY SECURED

After hoist is installed, be sure to install retaining pin or bolt in open end of track to prevent hoist from coming out.

HOISTING:

Hoist must be attached to suitable source of electric power. All connections, plugs and cords must be a minimum of 12 gauge wire. All wiring must include a satisfactory ground. Portable generators must be rated at least twice the rating of the hoist. Low voltage will reduce the lifting capacity of the hoist considerably.

Do not use upper limit switch to stop upward travel of load. Use pendant control for all maneuvering of hoist.

CAUTION
Hi-Tech's hoist **MUST NOT** be used to lift people. No one should be allowed to stand or pass under the path of the suspended load.

COUNTER BALANCING:

When the load is being raised at the outboard end of the monorail, the inboard end of the monorail actually has a LIFTING tendency. This tendency to lift is resisted by the weight of the counter weights. Hi-Tech Hoist offers the Ballast Containers which attach to the legs of the rear arch and can be filled with suitable material weighting a minimum of 6000 lbs. Hi-Tech Hoist also offers the Ceiling Brace and the I-Beam Ballast Brackets.

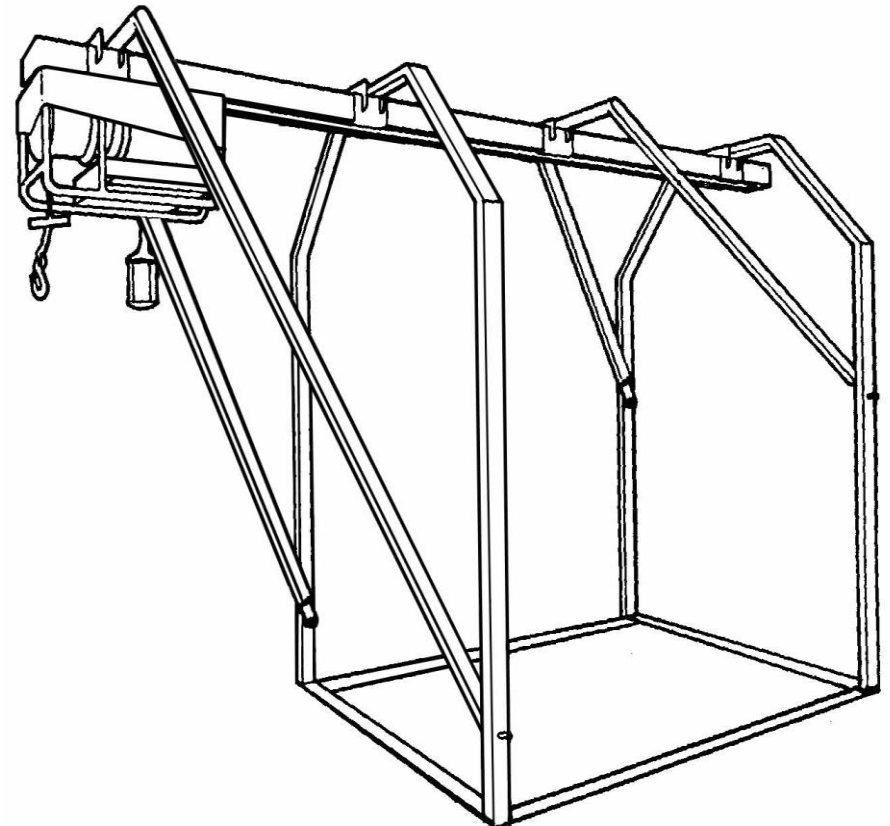
Except as stated herein, there are no implied warranties of fitness or merchantability, and there are no other express warranties beyond the warranties.



Melbourne, FL - USA
Ph: 321-733-3387 Fax: 321-733-9433

PT-1 EXTENDED TRESTLE MONORAIL ASSEMBLY

OPERATORS MANUAL



PT1 – E TRESTLE MONORAIL ASSEMBLY INSTRUCTIONS:


INVENTORY:


A.	PT-1 Monorail 12'	1 each
B.	Large Arch (Vertical Support)	2 each
C.	Arches: Ext. Small Arch (Angle Brace) And Standard Small Arch	1 each
D.	Floor Braces	2 each
E.	Round U-bolts (w/ LW, HN)	4 each
F.	Square U-bolts (w/ LW, HN)	4 each
G.	1/2" x 1 HHCS	4 each
H.	1/2" Lock Washers	4 each
I.	3/8" x 9" HHCS & 3/8" nyloc nut	1 each
J.	Hardware Kit taped to inside of monorail	

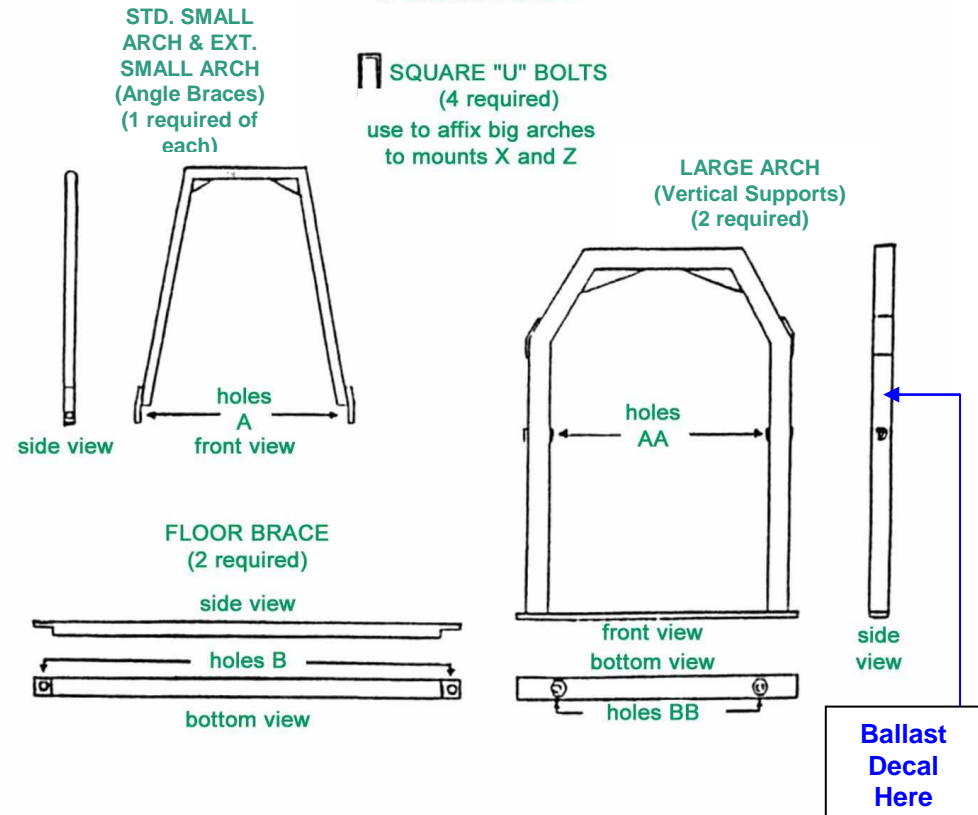
NOTE: C & D above will be attached together with all necessary hardware.

1. Lay monorail upside down so that W,X,Y, and Z mounts are facing down.
2. Loosen bolts and nuts that attach angle braces to vertical supports.
3. Invert one set of angle brace and vertical support. Slide beneath to W and X mounts of monorail. Bottom of vertical support is now sticking up. Note that angle brace attaches W mount with two rounded "u" bolts and vertical support attaches to X mount with two squared "u" bolts.
4. Repeat for mounts Y and Z with other set of angle brace and vertical support. Ensure that angle brace is attached to Z mount.
5. Vertical supports must be square to monorail. Monorail must be centered in support members. Tighten all "u" bolts and nuts.
6. Turn assembly up right and install bottom braces to bottom rail of vertical supports so that bolts go through holes B and BB from top to fasten into anchor nut.
7. Set assembly into place for leveling use on metal shims. (Shims supplied by end-user.)
8. Torque all hardware to 15-20 foot pounds.

**PT1 – E
TRESTLE MONORAIL ASSEMBLY**

 **ROUND "U" BOLTS**
(4 required)
use to affix little arches
to mounts W and Y

 **SQUARE "U" BOLTS**
(4 required)
use to affix big arches
to mounts X and Z



CAUTION:
**INSPECT PT-1 ASSEMBLY BEFORE FIRST USE EVERY DAY
 FOR PROPER INSTALLATION AND CONDITION.
 CORRECT ANY DISCREPANCIES NOTED BEFORE
 PUTTING INTO SERVICE.**

