



LIBERTY 2001

Rack & Pinion Material Platform Hoist

Versatile 90° Pivot Platform

Standard Features

- **2,000 lb. Max Load Capacity***
- **400 ft. Max Vertical Travel****
- **70 fpm Operating Speed***
- **45"W x 70"L x 48"H Clear Platform**
- **220V / 1P / 60Hz / 30A***
- **100% Duty Cycle**
 - The motor remains in an active state, ready when you are
- **90° Pivoting Platform**
 - Allows for Multiple Load Configuration
- **Fast Acting Over-Speed Brake**
- **Soft-Start/Soft Stop**
 - Variable Frequency Drive for Smooth Acceleration & Deceleration
- **5'H Tower Sections (Stackable)**
- **Anchors to Building or Scaffolding**
 - Use standard anchorage brackets or custom made brackets every 10' - 15'
- **Heavy Steel Construction**
- **Safety Chains on Access Sides**
- **Drop-Down Ramps on Access Sides**
- **Extendable Pendant Control**
- **Base Unit Weight: 1,440 lbs.**
- **Water Tight Connectors**

*Constant voltage is required to prevent damage and to maintain specified lift capacity and speed.

** Consult a structural engineer for heights over 200 ft. or when unsure of required anchoring.

Specifications subject to change without notice

MATERIAL USE ONLY - NO RIDERS



Shown without optional ANSI Platform Enclosure



www.hi-techhoist.com ■ sales@hi-techhoist.com

800-451-5053 ■ Local 321-733-3387 ■ Fax 321-733-9433 ■

Melbourne, FL - USA

Products manufactured by Hi-Tech Hoist LLC are for material use only. Never use the products to move people; never operate the units over people. It is the responsibility of the owner to install and operate the equipment to all applicable state and local codes.

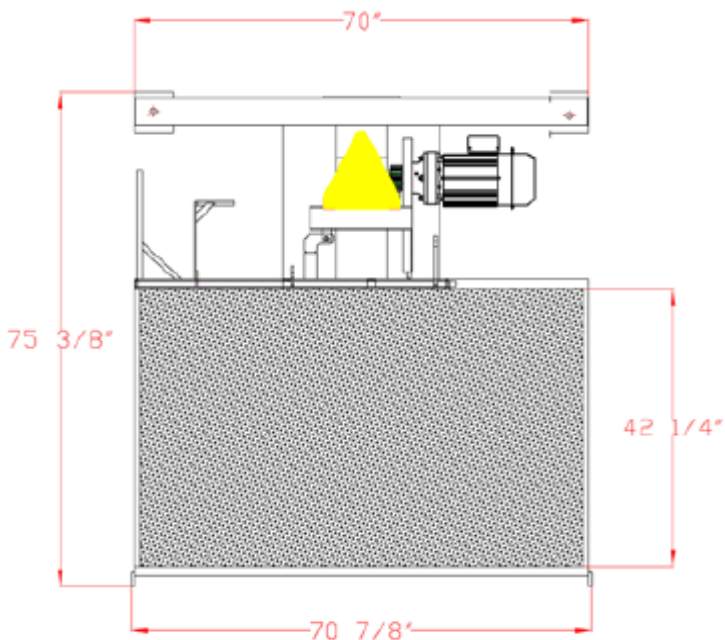
Specifications subject to change without notice

LIBERTY 2001

Rack & Pinion Material Platform Hoist

Specifications subject to change without notification!

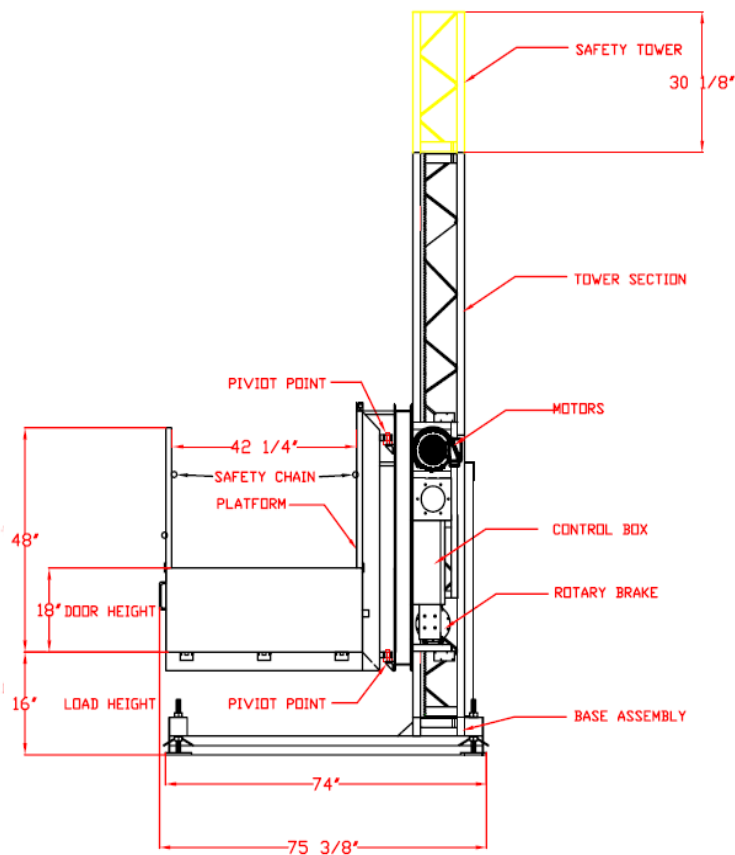
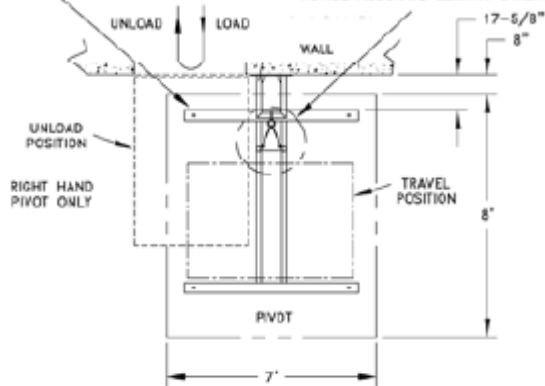
GENERAL DIMENSIONS



ANCHORAGE

DO NOT SUPPORT HOIST ON OUTRIGGER JACKS. THEY ARE FOR LEVELING DURING INSTALLATION ONLY.

THIS AREA MUST BE CAPABLE OF SUPPORTING TOTAL LOAD OF BASE, TOWER, PLATFORM AND LOAD. USE PLANKS OR CONCRETE SLAB TO PROVIDE ACCURATE BEARING STRENGTH.



Anchor
10' - 15'

Anchor
10' - 15'

Anchor
10' - 15'

