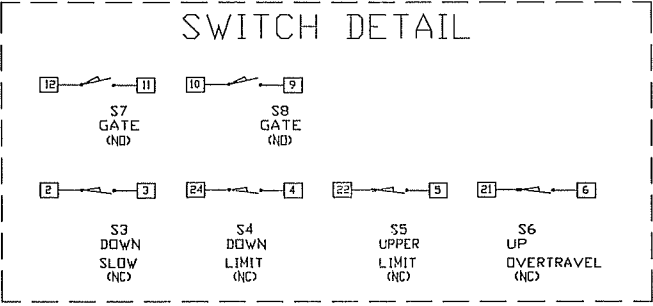
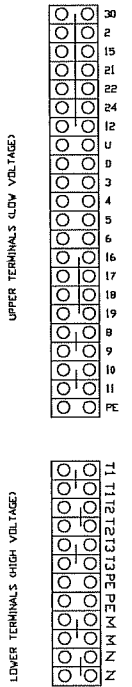


INCOMING POWER
230VAC 3PH

TERMINAL BLOCK
DETAIL



SCALE: NONE	TOLERANCE: NOT APPL	DRAWN BY: RJA
DATE: 14SEPT2012	CHECKED BY:	
DOC. SCHEMATIC RP-3003		
PAGE 1 OF 1	DRAWING NUMBER: D108	REVISION: -