



FREEDOM 3003

Rack & Pinion Material Platform Hoist

Heavy & Large Load Capacity

Standard Features

- **3,000 lb. Max Load Capacity***
- **400 ft. Max Vertical Travel****
- **70 fpm Operating Speed***
- **60"W x 70"L x 48"H Clear Platform**
- **230V / 3P / 60Hz / 30A***
- **100% Duty Cycle**
 - The motor remains in an active state, ready when you are
- **Dual 5-HP Brake Motors**
- **Fast Acting Over-Speed Brake**
- **Soft-Start/Soft Stop**
 - Variable Frequency Drive for Smooth Acceleration & Deceleration
- **5'H Tower Sections (Stackable)**
- **Anchors to Building Structure**
 - Use standard anchorage brackets or custom made brackets every 10' - 15'
- **Heavy Steel Construction**
- **Safety Chains on Access Sides**
- **Drop-Down Ramps on Access Sides**
- **Extendable Pendant Control**
- **Base Unit Weight: 1,675 lbs.**
- **Water Tight Connectors**

*Constant voltage is required to prevent damage and to maintain specified lift capacity and speed.

** Consult a structural engineer for heights over 200 ft. or when unsure of required anchoring.

MATERIAL USE ONLY - NO RIDERS



Shown without
optional ANSI
Platform Enclosure



www.hi-techhoist.com ■ sales@hi-techhoist.com

800-451-5053 ■ Local 321-733-3387 ■ Fax 321-733-9433 ■

Melbourne, FL - USA

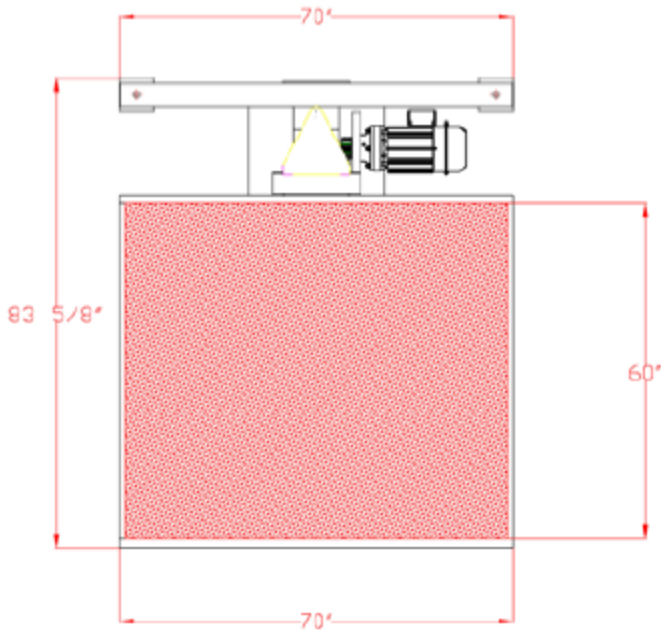
Products manufactured by Hi-Tech Hoist LLC are for material use only. Never use the products to move people; never operate the units over people. It is the responsibility of the owner to install and operate the equipment to all applicable state and local codes.

Specifications subject to change without notice

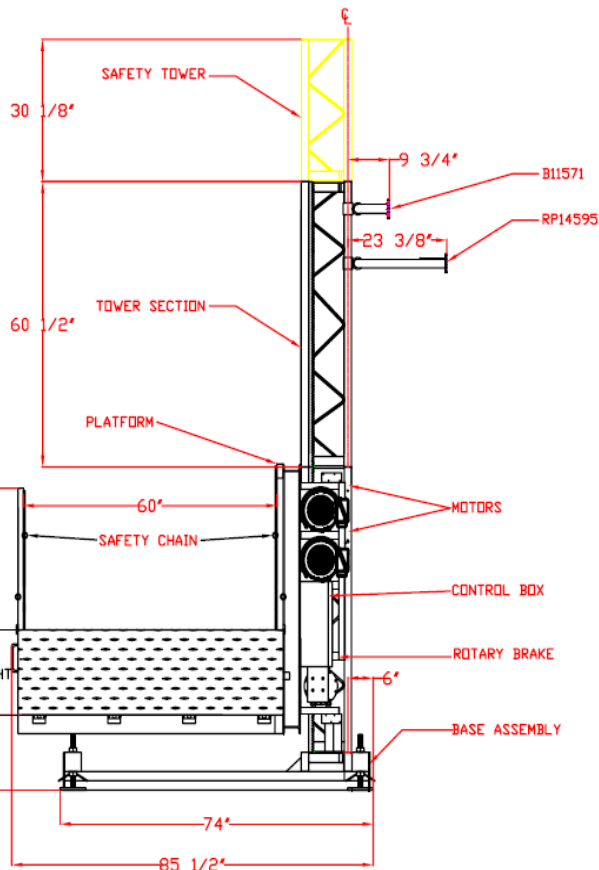
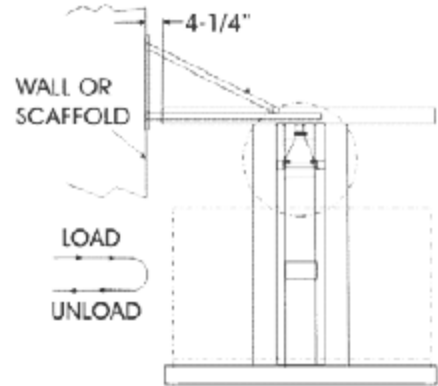
FREEDOM 3003 Rack & Pinion Material Platform Hoist

Specifications subject to change without notification!

GENERAL DIMENSIONS



ANCHORAGE



Anchor
10' - 15'

Anchor
10' - 15'

Anchor
10' - 15'

