

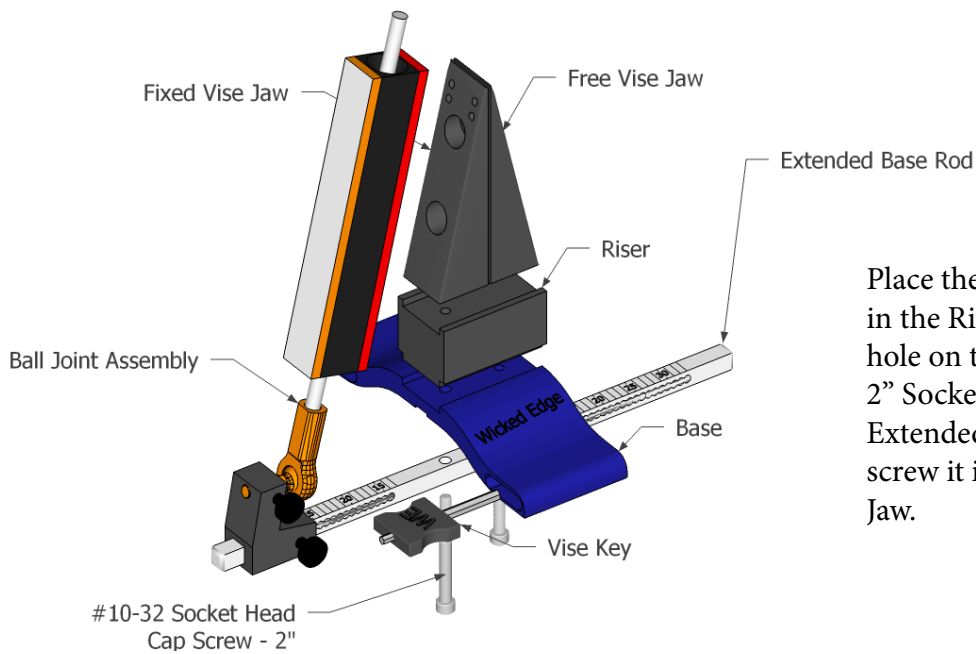
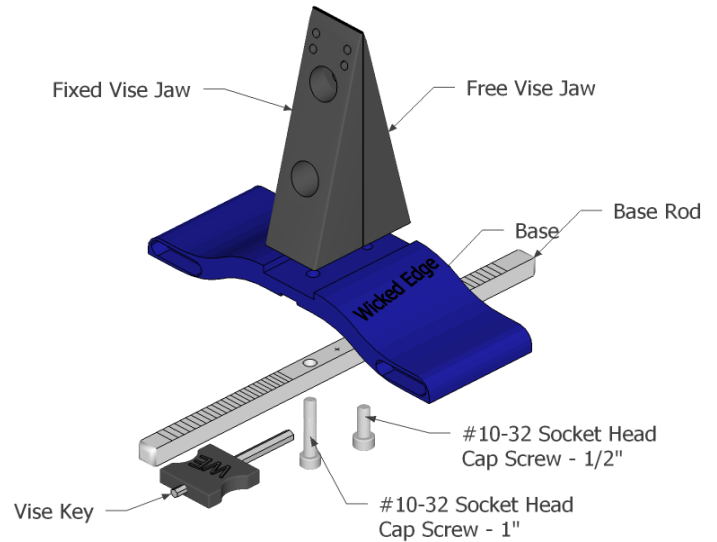
Assembling Your Pro-Pack II or Upgrade Kit

Step 1

Remove the Base Rod and Fixed Vise Jaw from the sharpener Base by unscrewing the two Socket Head Cap Screws from underneath the Base Rod using the larger of the hex keys on the Vise Key.

Step 2

Holding the Base with the logo facing you, place the Extended Base Rod underneath the Base, so that the engraved lines on the Extended Base Rod are facing up and the detents are facing you. Pass the 1/2" Socket Head Cap Screw through the Extended Base Rod and screw it into the Base. Only the hole on the right side of the Base (when logo is facing you) is threaded to accept the screw.



Step 3

Place the Riser on the Base with the hole in the Riser aligned with the through-hole on the left side of the Base. Pass the 2" Socket Head Cap Screw through the Extended Base Rod, Base and Riser and screw it into the bottom of the Fixed Vise Jaw.

Step 4

Slide the Ball Joint Assemblies onto the Extended Base Rod so that the Ball Joints face in toward the center of the sharpener, as shown in the figure above.

To mount your sharpener to the Mounting Plate, slide the the included washers onto the #10-32 Flat Socket Head Cap screws with the metal side facing the heads of the screws and slide those through the underside of the Mounting Plate. Thread them into the holes on the bottom of the blue sharpener Base and tighten them down with the smaller of the hex keys on the Vise Key. Affix the four adhesive backed rubber bumpers to the underside of the Mounting Plate at each corner.

Step 5

Packing List

(1) WE100 Wicked Edge Precision Sharpener

- 1 - Knife Sharpener Base (1)
- 2 - Fixed Vise Jaw (1)
- 3 - Free Vise Jaw (1)
- 4 - Hinge, Collar and Guide Rod Assembly (2)
- 5 - Depth Key (1)
- 6 - Vise Key (1)
- 7 - Base Rod (1)
- 8 - Alignment Tool (1)
- 9 - Knife Brace
- 10 - Upper Vise Screw - 5/8" Flat-head screw (1)
- 11 - Lower Vise Screw - 5/8" Socket-head cap screw (1)
- 12 - 1/2-inch Socket-head cap screw
- 13 - 1-inch Socket-head cap screw
- 14 - 1-1/2 -inch Flat-head cap screw (2)
- 15 - Thumb Screws (2)
- 16 - Coarse 100 Grit and Medium Coarse 200 Grit Diamond Block (2)
- 17 - Medium 400 Grit and Fine 600 Grit Diamond Blocks (2)

(1) Pro-Pack II

- 1 - Extended Base Rod (1)
- 2 - Ball Joint Assembly (2)
 - Collar (2)
 - Ball-Joint (2)
 - Guide Rod (2)
 - Thumbscrews (4)
- 3 - Riser Block (1)
- 4 - Digital Angle Gauge (1)
- 5 - QuartzStone Mounting Plate
- 6 - Extra Fine 800 Grit / Ultra Fine 1000 Grit Diamond Stones Pack (1)
 - 800 Grit Diamond Stones (2)
 - 1000 Grit Diamond Stones (2)
- 7 - Micro-Fine Ceramic Stones Pack (1)
 - 1.4 Micron Stones (2)
 - 0.6 Micron Stones (2)
- 8 - 1.0/0.5 Micron Diamond and Leather Stones Pack (1)
 - Handle Set (2)
 - Leather Strips Attached to Handles (4)
 - 1.0 Micron Diamond Paste (1)
 - 0.5 Micron Diamond Paste (1)
- 9 - #10-32 Socket Head Cap Screw - 2"
- 10 - #10 Neoprene Washers (2)
- 11 - Adhesive Backed Rubber Bumpers (4)